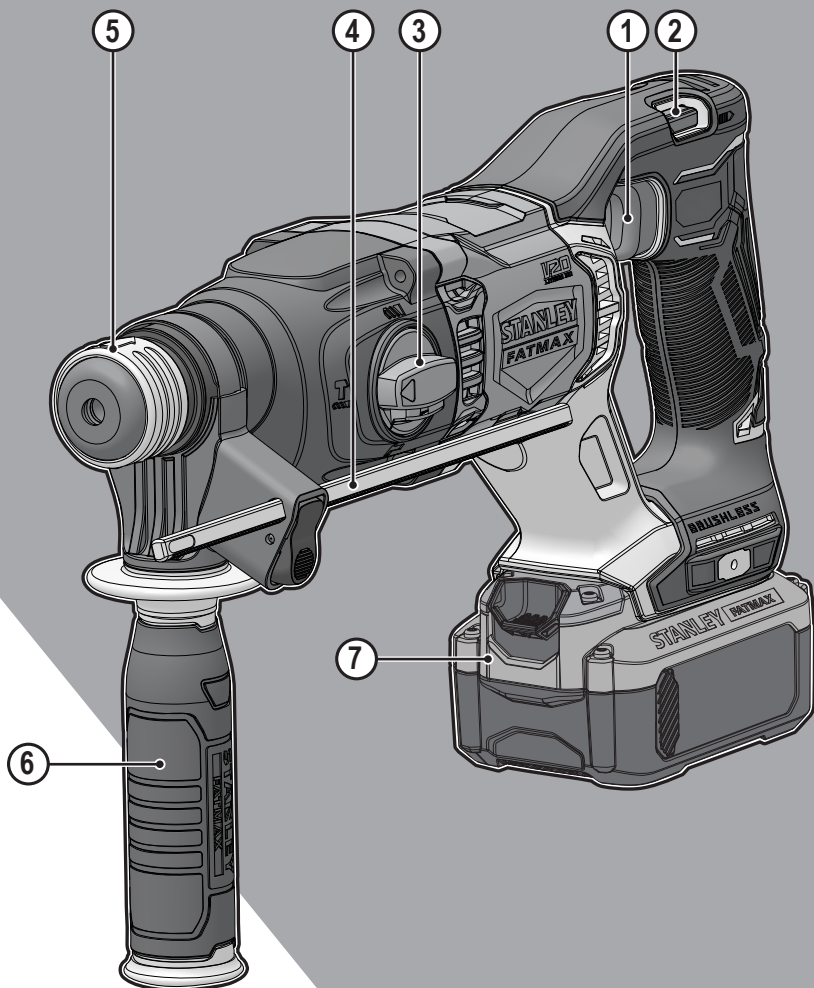


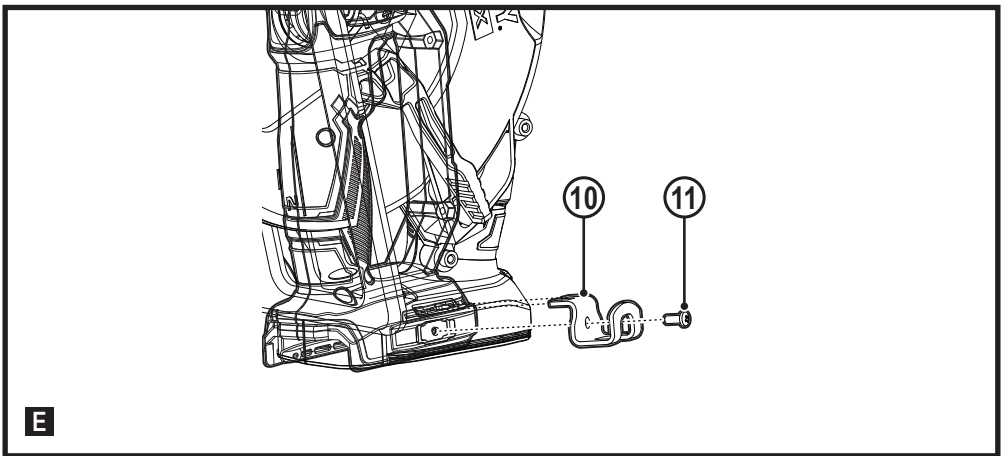
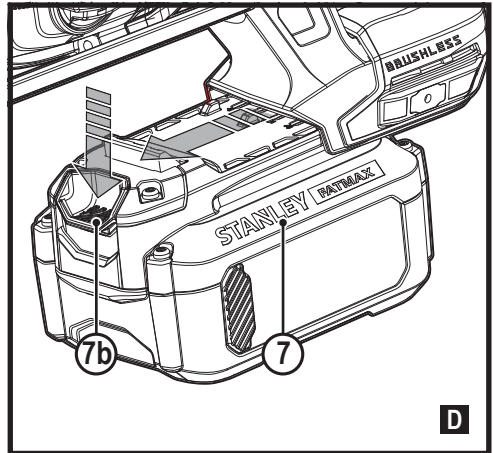
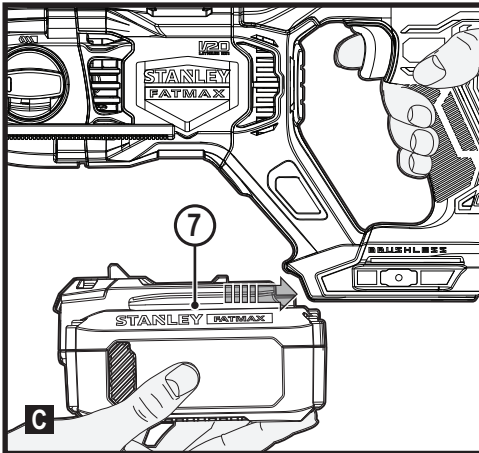
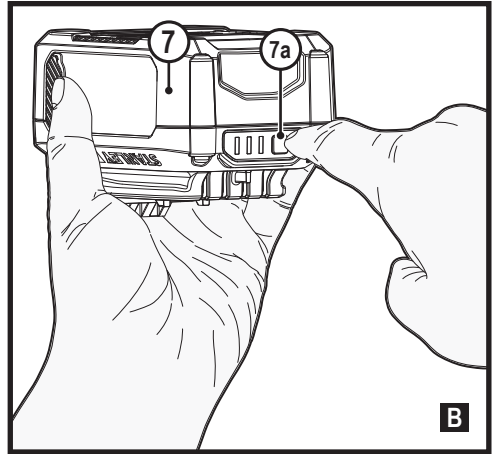
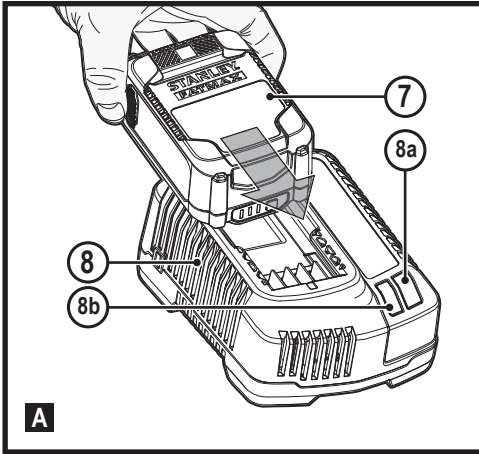
# STANLEY® FATMAX®

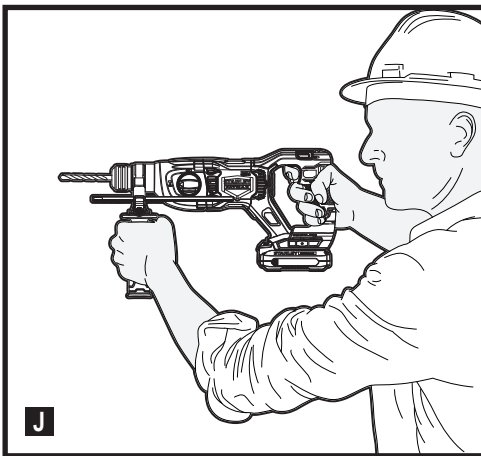
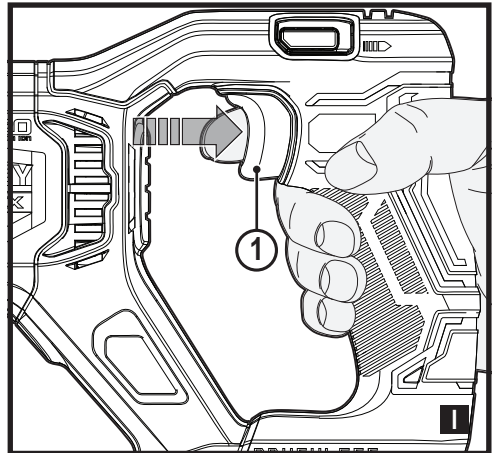
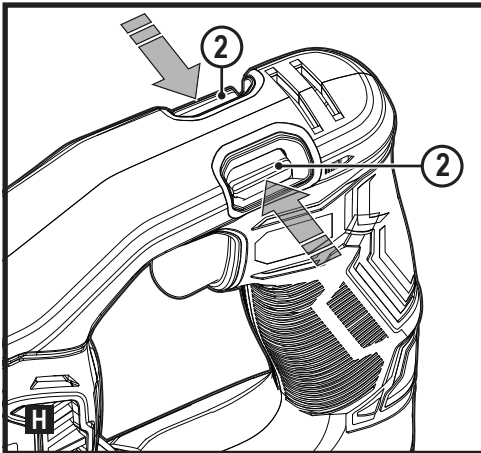
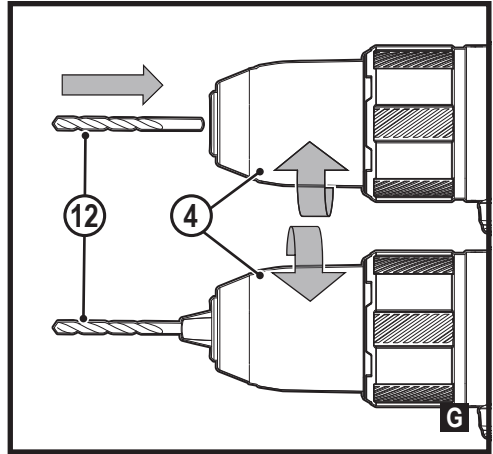
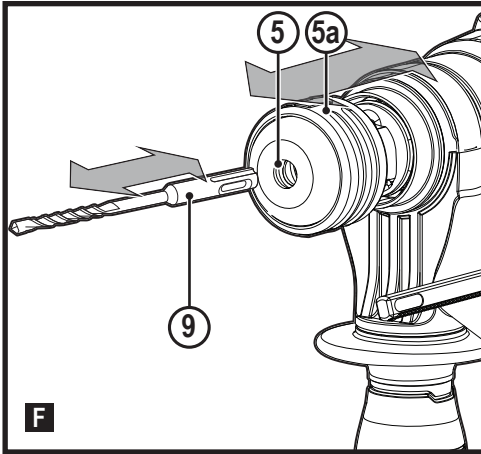
# V20 LITHIUM ION



[www.stanley.eu](http://www.stanley.eu)

SFMCH900





### Intended use

Your STANLEY FAT MAX SFMCH900 rotary hammer has been designed for drilling masonry and light chiseling, can also be used for drilling in wood, metal and plastics with SDS adapter (not supplied). This tool is intended for professional and private, non professional users.

### Safety instructions

#### General power tool safety warnings



**Warning!** Read all safety warnings, instructions, illustrations and specifications provided with this power tool. Failure to follow all instructions listed below may result in electric shock, fire and/or serious injury.

Save all warnings and instructions for future reference.

The term “power tool” in all of the warnings listed below refers to your mains operated (corded) power tool or battery operated (cordless) power tool.

### 1. Work area safety

- a. **Keep work area clean and well lit.** Cluttered or dark areas invite accidents.
- b. **Do not operate power tools in explosive atmospheres, such as in the presence of flammable liquids, gases or dust.** Power tools create sparks which may ignite the dust or fumes.
- c. **Keep children and bystanders away while operating a power tool.** Distractions can cause you to lose control.

### 2. Electrical safety

- a. **Power tool plugs must match the outlet. Never modify the plug in any way.**  
Do not use any adapter plugs with earthed (grounded) power tools. Unmodified plugs and matching outlets will reduce risk of electric shock.
- b. **Avoid body contact with earthed or grounded surfaces such as pipes, radiators, ranges and refrigerators.** There is an increased risk of electric shock if your body is earthed or grounded.
- c. **Do not expose power tools to rain or wet conditions.** Water entering a power tool will increase the risk of electric shock.
- d. **Do not abuse the cord. Never use the cord for carrying, pulling or unplugging the power tool. Keep cord away from heat, oil, sharp edges or moving parts.** Damaged or entangled cords increase the risk of electric shock.
- e. **When operating a power tool outdoors, use an extension cord suitable for outdoor use.** Use of a cord suitable for outdoor use reduces the risk of electric shock.
- f. **If operating a power tool in a damp location is unavoidable, use a residual current device (RCD) protected supply.** Use of an RCD reduces the risk of electric shock.

### 3. Personal safety

- a. **Stay alert, watch what you are doing and use common sense when operating a power tool.**  
Do not use a power tool while you are tired or under the influence of drugs, alcohol or medication. A moment of inattention while operating power tools may result in serious personal injury.
- b. **Use personal protective equipment. Always wear eye protection.** Protective equipment such as dust mask, non-skid safety shoes, hard hat, or hearing protection used for appropriate conditions will reduce personal injuries.

- c. **Prevent unintentional starting. Ensure the switch is in the off-position before connecting to power source and/or battery pack, picking up or carrying the tool.**  
Carrying power tools with your finger on the switch or energising power tools that have the switch on invites accidents.
- d. **Remove any adjusting key or wrench before turning the power tool on.** A wrench or a key left attached to a rotating part of the power tool may result in personal injury.
- e. **Do not overreach. Keep proper footing and balance at all times.** This enables better control of the power tool in unexpected situations.
- f. **Dress properly. Do not wear loose clothing or jewellery. Keep your hair, clothing and gloves away from moving parts.** Loose clothes, jewellery or long hair can be caught in moving parts.
- g. **If devices are provided for the connection of dust extraction and collection facilities, ensure these are connected and properly used.** Use of dust collection can reduce dust-related hazards.
- h. **Do not let familiarity gained from frequent use of tools allow you to become complacent and ignore tool safety principles.** A careless action can cause severe injury within a fraction of a second.

### 4. Power tool use and care

- a. **Do not force the power tool. Use the correct power tool for your application.**  
The correct power tool will do the job better and safer at the rate for which it was designed.
- b. **Do not use the power tool if the switch does not turn it on and off.** Any power tool that cannot be controlled with the switch is dangerous and must be repaired.
- c. **Disconnect the plug from the power source and/or remove the battery pack, if detachable, from the power tool before making any adjustments, changing accessories, or storing power tools.** Such preventive safety measures reduce the risk of starting the power tool accidentally.
- d. **Store idle power tools out of the reach of children and do not allow persons unfamiliar with the power tool or these instructions to operate the power tool.** Power tools are dangerous in the hands of untrained users.
- e. **Maintain power tools and accessories. Check for misalignment or binding of moving parts, breakage of parts and any other condition that may affect the power tools operation. If damaged, have the power tool repaired before use.** Many accidents are caused by poorly maintained power tools.
- f. **Keep cutting tools sharp and clean.** Properly maintained cutting tools with sharp cutting edges are less likely to bind and are easier to control.

- g. Use the power tool, accessories and tool bits etc. in accordance with these instructions, taking into account the working conditions and the work to be performed.**

Use of the power tool for operations different from those intended could result in a hazardous situation.

- h. Keep handles and grasping surfaces dry, clean and free from oil and grease.** Slippery handles and grasping surfaces do not allow for safe handling and control of the tool in unexpected situations.

## **5. Battery tool use and care (only used for battery tools)**

- a. Recharge only with the charger specified by the manufacturer.** A charger that is suitable for one type of battery pack may create a risk of fire when used with another battery pack.
- b. Use power tools only with specifically designated battery packs.** Use of any other battery packs may create a risk of injury and fire.
- c. When battery pack is not in use, keep it away from other metal objects, like paper clips, coins, keys, nails, screws, or other small metal objects, that can make a connection from one terminal to another.** Shorting the battery terminals together may cause burns or a fire.
- d. Under abusive conditions, liquid may be ejected from the battery; avoid contact. If contact accidentally occurs, flush with water. If liquid contacts eyes, additionally seek medical help.** Liquid ejected from the battery may cause irritation or burns.
- e. Do not use a battery pack or tool that is damaged or modified.** Damaged or modified batteries may exhibit unpredictable behaviour resulting in fire, explosion or risk of injury.
- f. Do not expose a battery pack or tool to fire or excessive temperature.** Exposure to fire or temperature above 130 °C may cause explosion. NOTE: The temperature „130 °C“ can be replaced by the temperature „265 °F“.
- g. Follow all charging instructions and do not charge the battery pack or tool outside the temperature range specified in the instructions.** Charging improperly or at temperatures outside the specified range may damage the battery and increase the risk of fire.

## **6. Service**

- a. Have your power tool serviced by a qualified repair person using only identical replacement parts.** This will ensure that the safety of the power tool is maintained.

- b. Never service damaged battery packs.** Service of battery packs should only be performed by the manufacturer or authorized service providers (only used for battery tools).

## **Safety Instructions for All Operations**

- Wear ear protectors when impact drilling. Exposure to noise can cause hearing loss.
- Hold power tool by insulated gripping surfaces, when performing an operation where the cutting accessory or the fastener may contact hidden wiring. Cutting accessory or the fastener contacting a “live” wire may make exposed metal parts of the power tool “live” and could give the operator an electric shock.

## **Safety Instructions When Using Long Drill Bits**

- Never operate at higher speed than the maximum speed rating of the drill bit. At higher speeds, the bit is likely to bend if allowed to rotate freely without contacting the workpiece, resulting in personal injury.
- Always start drilling at low speed and with the bit tip in contact with the workpiece. At higher speeds, the bit is likely to bend if allowed to rotate freely without contacting the workpiece, resulting in personal injury.
- Apply pressure only in direct line with the bit and do not apply excessive pressure. Bits can bend causing breakage or loss of control, resulting in personal injury.

## **Additional Safety Warnings for Drill/ Driver/ Hammerdrill**

- Use clamps or other practical way to secure and support the workpiece to a stable platform. Holding the work by hand or against your body is unstable and may lead to loss of control.
- Accessories and tool may get hot during operation. Wear gloves when handling them if performing heat producing applications such as drilling metals.
- Air vents often cover moving parts and should be avoided. Loose clothes, jewelry or long hair can be caught in moving parts.
- Wear safety goggles or other eye protection. Hammering and drilling operations cause chips to fly. Flying particles can cause permanent eye damage.
- Wear ear protectors when impact drilling. Exposure to noise can cause hearing loss.
- Use auxiliary handle(s), if supplied with the tool. Loss of control can cause personal injury.
- Do not operate this tool for long periods of time. Vibration caused by tool action may be harmful to your hands and arms. Use gloves to provide extra cushion and limit exposure by taking frequent rest periods.

## Safety of others

- This appliance can be used by children aged from 8 years and above and persons with reduced physical, sensory or mental capabilities or lack of experience and knowledge if they have been given supervision or instruction concerning use of the appliance in a safe way and understand the hazards involved.
- Children shall not play with the appliance. Cleaning and user maintenance shall not be made by children without supervision.

## Residual risks

Additional residual risks may arise when using the tool which may not be included in the enclosed safety warnings. These risks can arise from misuse, prolonged use etc.

Even with the application of the relevant safety regulations and the implementation of safety devices, certain residual risks can not be avoided. These include:

- Injuries caused by touching any rotating/moving parts.
- Injuries caused when changing any parts, blades or accessories.
- Injuries caused by prolonged use of a tool. When using any tool for prolonged periods ensure you take regular breaks.
- Impairment of hearing.
- Health hazards caused by breathing dust developed when using your tool (example:- working with wood, especially oak, beech and MDF.)

## Vibration

The declared vibration emission values stated in the technical data and the declaration of conformity have been measured in accordance with a standard test method provided by EN62841 and may be used for comparing one tool with another. The declared vibration emission value may also be used in a preliminary assessment of exposure.



**Warning!** The vibration emission value during actual use of the power tool can differ from the declared value depending on the ways in which the tool is used. The vibration level may increase above the level stated.

When assessing vibration exposure to determine safety measures required by 2002/44/EC to protect persons regularly using power tools in employment, an estimation of vibration exposure should consider, the actual conditions of use and the way the tool is used, including taking account of all parts of the operating cycle such as the times when the tool is switched off and when it is running idle in addition to the trigger time.

## Labels on tool

The following symbols are shown on the tool along with the date code:



**Warning!** To reduce the risk of injury, the user must read the instruction manual.

## Additional safety instructions for batteries and chargers

### Batteries

- Never attempt to open for any reason.
- Do not expose the battery to water.
- Do not expose the battery to heat.
- Do not store in locations where the temperature may exceed 40 °C.
- Charge only at ambient temperatures between 10 °C and 40 °C.
- Charge only using the charger provided with the appliance/tool.
- When disposing of batteries, follow the instructions given in the section "Protecting the environment".
- Do not damage/deform the battery pack either by puncture or impact, as this may create a risk of injury and fire.
- Do not charge damaged batteries.
- Under extreme conditions, battery leakage may occur. When you notice liquid on the batteries carefully wipe the liquid off using a cloth. Avoid skin contact.
- In case of skin or eye contact, follow the instructions below.



**Warning!** The battery fluid may cause personal injury or damage to property. In case of skin contact, immediately rinse with water. If redness, pain or irritation occurs seek medical attention. In case of eye contact, rinse immediately with clean water and seek medical attention.

### Chargers

Your charger has been designed for a specific voltage. Always check that the mains voltage corresponds to the voltage on the rating plate.



**Warning!** Never attempt to replace the charger unit with a regular mains plug.

- Use your charger only to charge the battery in the tool with which it was supplied. Other batteries could burst, causing personal injury and damage.
- Never attempt to charge non-rechargeable batteries.
- If the supply cord is damaged, it must be replaced by the manufacturer or an authorised Service Centre in order to avoid a hazard.
- Have defective cords replaced immediately.
- Do not expose the charger to water.

- Do not open the charger.
- Do not probe the charger.
- The appliance/tool/battery must be placed in a well ventilated area when charging.



The charger is intended for indoor use only.

### Electrical safety



This charger is double insulated; therefore no earth wire is required. Always check that the power supply corresponds to the voltage on the rating plate.

If the supply cord is damaged, it must be replaced by the manufacturer or an authorised STANLEY FAT MAX Service Centre in order to avoid a hazard.

### Features

This tool includes some or all of the following features.

1. On/Off switch
2. Forward/reverse selector
3. Drilling mode selector
4. Depth stop
5. Tool holder
6. Side handle
7. Battery

### Assembly

#### Use

**Warning!** Let the tool work at its own pace. Do not overload.

#### Charging the battery (No batteries for SFMCH900B, one battery for SFMCH900M12, two batteries for SFMCH900M22) (fig. A)

The battery needs to be charged before first use and whenever it fails to produce sufficient power on jobs that were easily done before.

The battery may become warm while charging; this is normal and does not indicate a problem.

**Warning!** Do not charge the battery at ambient temperatures below 10 °C or above 40 °C. Recommended charging temperature: approx. 24 °C.




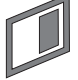


**Note: The charger will not charge a battery if the cell temperature is below approximately 10 °C or above 40 °C. The battery should be left in the charger and the charger will begin to charge automatically when the cell temperature warms up or cools down.**

**Note:** To ensure maximum performance and life of lithium-ion battery packs, charge the battery pack fully before first use.

- ◆ Plug the charger (8) into an appropriate outlet before inserting battery pack (7).

- ◆ The green charging light (8a) will blink continuously indicating that the charging process has started.
- ◆ The completion of charge will be indicated by the green charging light (8a) remaining ON continuously. The battery pack (7) is fully charged and may be removed and used at this time or left in the charger (8).
- ◆ Charge discharged batteries within 1 week. Battery life will be greatly diminished if stored in a discharged state.

### Charger LED Modes

|   |  |  |
|---|--|--|
|  | <b>Charging:</b><br>Green LED Intermittent                             |  |
|  | <b>Fully Charged:</b><br>Green LED Solid                               |  |
|  | <b>Hot/Cold Pack Delay:</b><br>Green LED Intermittent<br>Red LED Solid |  |

**Note:** The compatible charger(s) will not charge a faulty battery pack. The charger will indicate a faulty battery pack by refusing to light.

**Note:** This could also mean a problem with a charger. If the charger indicates a problem, take the charger and battery pack to be tested at an authorized service centre.

#### Leaving the battery in the charger

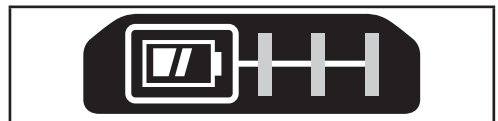
The charger and battery pack can be left connected with the LED glowing indefinitely. The charger will keep the battery pack fresh and fully charged.

#### Hot/Cold Pack Delay

When the charger detects a battery that is too hot or too cold, it automatically starts a Hot/Cold Pack Delay, the green LED (8a) will flash intermittently, while the red LED (8b) will remain on continuously, suspending charging until the battery has reached an appropriate temperature. The charger then automatically switches to the pack charging mode. This feature ensures maximum battery life.

#### Battery state of charge indicator (Fig. B)

The battery includes a state of charge indicator to quickly determine the extent of battery life as shown in figure B. By pressing the state of charge button (7a) you can easily view the charge remaining in the battery as illustrated in figure B.



## Installing and Removing the Battery Pack from the tool

**Warning!** Make certain the lock-off button is engaged to prevent switch actuation before removing or installing battery.

### To install battery pack (No batteries for SFMCH900B, one battery for SFMCH900M12, two batteries for SFMCH900M22) (Fig. C)

- ◆ Insert battery pack firmly into tool until an audible click is heard as shown in figure C. Ensure battery pack is fully seated and fully latched into position.

### To remove battery pack (Fig. D)

- ◆ Depress the battery release button (7b) as shown in figure D and pull battery pack out of tool.

### Fitting the side handle (fig. E)

- ◆ Turn the grip counterclockwise until you can slide the side handle (6) onto the front of the tool as shown.
- ◆ Rotate the side handle into the desired position.
- ◆ Tighten the side handle by turning the grip clockwise.

### Fitting and setting the depth stop (fig. E)

- ◆ Depress the button (6b).
- ◆ Insert the depth stop (4) into the mounting hole (6a) as shown.
- ◆ Set the depth stop (4) to the desired position. The maximum drilling depth is equal to the distance between the tip of the drill bit and the front end of the depth stop.
- ◆ Release the button (6b).

### Fitting an accessory (fig. F)

- ◆ Clean and grease the shank (9) of the accessory.
- ◆ Pull back the sleeve (5a) and insert the shank into the tool holder (5).
- ◆ Push the accessory down and turn it slightly until it fits into the slots.
- ◆ Pull on the accessory to check if it is properly locked. The hammering function requires the accessory to be able to move axially several centimetres when locked in the tool holder.
- ◆ To remove the accessory, pull back the sleeve (5a) and pull out the accessory.

**Warning!** Before drilling into walls, floors or ceilings, check for the location of wiring and pipes.

**Warning!** Do not apply chisels when the tool is in the drilling mode.

### Selecting the operating mode (fig. G)

The tool can be used in three operating modes.

- ◆ To operate the operating mode selector (3), push the unlock button.

Rotate the selector towards the required position, as indicated by the symbols.

### Forward/reverse action (fig. H)


- ◆ Move the selector (2) to indicate the direction you require.

### Switching on and off (fig. I)


- ◆ To switch the tool on, press the on/off switch (1).
- ◆ To switch the tool off, release the on/off switch.

### Always hold the tool as shown in figure J.


### Drilling

- ◆ For drilling in steel, wood and plastics (only possible with adapter, not supplied), and for screwdriving set the operating mode selector (3) to the  position.

### Hammer drilling

- ◆ For hammer drilling in masonry and concrete, set the operating mode selector (3) to the  position. When hammering, the tool should not bounce and run smoothly. If necessary, increase the speed.

### Hammering

- ◆ For hammering with spindle lock, and for light chiselling and chipping, set the operating mode selector (3) to the  position.
- ◆ When changing from hammer drilling to chiselling, turn the chisel to the desired position. If resistance is felt during mode change, slightly turn the chisel to engage the spindle lock.

### Accessories

The performance of your tool depends on the accessory used. STANLEY FAT MAX accessories are engineered to high quality standards and designed to enhance the performance of your tool. By using these accessories you will get the very best from your tool.

**Warning!** Since accessories, other than those offered by STANLEY FATMAX, have not been tested with this product, use of such accessories with this tool could be hazardous. To reduce the risk of injury, only use STANLEY FATMAX recommended accessories should be used with this product.

### Maintenance

Your STANLEY FAT MAX corded/cordless appliance/tool has been designed to operate over a long period of time with a minimum of maintenance. Continuous satisfactory operation depends upon proper tool care and regular cleaning.

**Warning!** Before performing any maintenance on corded/cordless power tools:

- ◆ Switch off and unplug the appliance/tool.



- ◆ Regularly clean the ventilation slots in your appliance/tool/charger using a soft brush or dry cloth.
- ◆ Regularly clean the motor housing using a damp cloth. Do not use any abrasive or solvent-based cleaner.
- ◆ Regularly open the chuck and tap it to remove any dust from the interior (when fitted).

## Mains plug replacement (U.K. & Ireland only)

If a new mains plug needs to be fitted:

- ◆ Safely dispose of the old plug.
- ◆ Connect the brown lead to the live terminal in the new plug.
- ◆ Connect the blue lead to the neutral terminal.

**Warning!** No connection is to be made to the earth terminal.

Follow the fitting instructions supplied with good quality plugs.

Recommended fuse: 5 A.

## Protecting the environment



Separate collection. Products and batteries marked with this symbol must not be disposed of with normal household waste.

Products and batteries contain materials that can be recovered or recycled, reducing demand for raw materials. Please recycle electrical products and batteries according to local provisions. Further information is available at [www.2helpU.com](http://www.2helpU.com)

## Technical data

|                                     |                   | SFMCH900M12 | SFMCH900M22 | SFMCH900B* |
|-------------------------------------|-------------------|-------------|-------------|------------|
| Input voltage                       | V <sub>DC</sub>   | 18          | 18          | 18         |
| No-load speed                       | min <sup>-1</sup> | 0 - 1500    | 0 - 1500    | 0 - 1500   |
| No-load beats per minute            | bpm               | 0 - 5500    | 0 - 5500    | 0 - 5500   |
| Single impact energy (EPTA 05/2009) | J                 | 2.0         | 2.0         | 2.0        |
| Weight                              | kg                | 2.9         | 2.9         | 2.3        |
| <b>Max. drilling capacity</b>       |                   |             |             |            |
| Concrete                            | mm                | 22          | 22          | 22         |
| Steel                               | mm                | 13          | 13          | 13         |
| Wood                                | mm                | 30          | 30          | 30         |

| Battery  |                 | SFMCB201 | SB202 / SFMCB202 | SB204 / SFMCB204 | SB206 / SFMCB206 |
|----------|-----------------|----------|------------------|------------------|------------------|
| Voltage  | V <sub>DC</sub> | 18       | 18               | 18               | 18               |
| Capacity | Ah              | 1.5      | 2.0              | 4.0              | 6.0              |

| Battery |  | SFMCB201 | SB202 / SFMCB202 | SB204 / SFMCB204 | SB206 / SFMCB206 |
|---------|--|----------|------------------|------------------|------------------|
| Type    |  | Li-Ion   | Li-Ion           | Li-Ion           | Li-Ion           |

| Charger        |                 | SFMCB11 | SC200 / SFMCB12 | SFMCB14 |
|----------------|-----------------|---------|-----------------|---------|
| Input Voltage  | V <sub>AC</sub> | 230     | 230             | 230     |
| Output Voltage | V <sub>DC</sub> | 18      | 18              | 18      |
| Current        | A               | 1.25    | 2               | 4       |

## \*No Battery or Charger supplied with SFMCH900B unit

### Level of sound pressure according to EN 62841:

Hammer mode Emission sound pressure level (L<sub>WA</sub>) 81.9 dB(A), uncertainty (K) 3 dB(A)  
Chisel mode Emission sound pressure level (L<sub>WA</sub>) 83.6 dB(A), uncertainty (K) 3.3 dB(A)

Hammer mode Sound power level (L<sub>WA</sub>) 92.9 dB(A), uncertainty (K) 3. dB(A)  
Chisel mode Sound power level (L<sub>WA</sub>) 94.4 dB(A), uncertainty (K) 3.3 dB(A)

### Vibration total values (triax vector sum) according to EN 62841:

Hammer drilling into concrete (a<sub>h, HD</sub>) 13.1 m/s<sup>2</sup>, uncertainty (K) 1.5 m/s<sup>2</sup>

Chiselling (a<sub>h, Chel</sub>) 10.6 m/s<sup>2</sup>, uncertainty (K) 1.5 m/s<sup>2</sup>

Drilling into metal (a<sub>h, D</sub>) <2.5 m/s<sup>2</sup>, uncertainty (K) 1.5 m/s<sup>2</sup>

Screwdriving (a<sub>h</sub>) <2.5 m/s<sup>2</sup>, uncertainty (K) 1.5 m/s<sup>2</sup>

## EC declaration of conformity

### MACHINERY DIRECTIVE



SFMCH900 Rotary hammer

STANLEY FAT MAX declares that these products described under "technical data" are in compliance with:  
EN62841-1:2015, EN62841-2-1:2014.

These products also comply with Directive 2006/42/EC, 2014/30/EU and 2011/65/EU. For more information, please contact STANLEY FAT MAX at the following address or refer to the back of the manual.

The undersigned is responsible for compilation of the technical file and makes this declaration on behalf of  
STANLEY FAT MAX.

Ed Higgins  
Director – Consumer Power Tools

Director of Engineering  
Stanley Europe, Egide Walschaertsstraat14-18,  
2800 Mechelen, Belgium  
PENDING

## **Guarantee**

STANLEY FAT MAX is confident of the quality of its products and offers consumers a 12 month guarantee from the date of purchase. This guarantee is in addition to and in no way prejudices your statutory rights. The guarantee is valid within the territories of the Member States of the European Union and the European Free Trade Area.

To claim on the guarantee, the claim must be in accordance with STANLEY FAT MAX Terms and Conditions and you will need to submit proof of purchase to the seller or an authorised repair agent.

Terms and conditions of the STANLEY FAT MAX 1 year guarantee and the location of your nearest authorised repair agent can be obtained on the Internet at [www.2helpU.com](http://www.2helpU.com), or by contacting your local STANLEY FAT MAX office at the address indicated in this manual.

Please visit our website [www.stanley.eu/3](http://www.stanley.eu/3) to register your new STANLEY FAT MAX product and receive updates on new products and special offers.

## Назначение

Перфоратор STANLEY FATMAX SFMCH900 предназначен для высверливания отверстий в кирпичной кладке и легких работ по дроблению, но также может применяться для высверливания отверстий в дереве, металле и пластмассе при помощи переходника SDS (не входящего в комплект поставки). Данный инструмент предназначен как для профессионального использования, так и бытового использования частными пользователями.

## Правила техники безопасности

### Общие правила безопасности при работе с электроинструментом



**Внимание!** Прочтите все правила техники безопасности, инструкции, иллюстрации и спецификации по данному электроинструменту. Несоблюдение всех приведенных ниже инструкций может стать причиной поражения электрическим током, возгорания и/или тяжелой травмы.

### Сохраните все инструкции для последующего обращения к ним.

Термин «электроинструмент» во всех приведенных ниже предупреждениях относится к питаемому от электросети (проводному) или от аккумуляторных батарей (беспроводному) электроинструменту.

#### 1. Безопасность на рабочем месте

- a. Следите за чистотой и хорошим освещением на рабочем месте. Беспорядок или плохое освещение на рабочем месте могут стать причиной несчастного случая.
- b. Запрещается работать с электроинструментами во взрывоопасных местах, например, вблизи легковоспламеняющихся жидкостей, газов и пыли. Искры, которые появляются при работе электроинструментов могут привести к воспламенению пыли или паров.
- c. Следите за тем, чтобы во время работы с электроинструментом в зоне работы не было посторонних и детей. Отвлекаясь от работы вы можете потерять контроль над инструментом.

#### 2. Электробезопасность

- a. Штепсельная вилка электроинструмента должна соответствовать розетке. Никогда не меняйте вилку инструмента. Запрещается использовать переходники к вилкам для электроинструментов с заземлением. Использование оригинальных штепсельных вилок, соответствующих типу сетевой розетки снижает риск

поражения электрическим током.

- b. Избегайте контакта с заземленными поверхностями, такими как трубы, радиаторы и холодильники. Если вы будете заземлены, увеличивается риск поражения электрическим током.
  - c. Запрещается оставлять электроинструмент под дождем и в местах повышенной влажности. При попадании воды в электроинструмент риск поражения электротоком возрастает.
  - d. Берегите кабель от повреждений. Никогда не используйте кабель для переноски электроинструмента, не тяните за него, пытайтесь отключить инструмент от сети. Держите кабель подальше от источников тепла, масла, острых углов или движущихся предметов. Поврежденный или запутанный кабель питания повышает риск поражения электрическим током.
  - e. При работе с электроинструментом на открытом воздухе используйте удлинитель, подходящий для использования на улице. Использование кабеля питания, предназначенного для использования вне помещения, снижает риск поражения электрическим током.
  - f. Если использование электроинструмента в условиях повышенной влажности неизбежно, используйте устройства защитного отключения (УЗО) для защиты сети. Использование УЗО снижает риск поражения электрическим током.
- #### 3. Обеспечение индивидуальной безопасности
- a. При работе с электроинструментом сохраняйте бдительность, следите за своими действиями и руководствуйтесь здравым смыслом. Запрещается работать с электроинструментом в состоянии усталости, наркотического, алкогольного опьянения или под воздействием лекарственных препаратов. Невнимательность при работе с электроинструментом может привести к серьезным травмам.
  - b. Используйте средства индивидуальной защиты. Всегда надевайте защитные очки. Средства защиты, такие как пылезащитная маска, обувь с нескользящей подошвой, каска и защитные наушники, используемые при работе, уменьшают риск получения травм.
  - c. Примите меры для предотвращения случайного включения. Перед тем как подключить электроинструмент к сети и/или аккумуляторной батарее, возьмите инструмент или перенести его в другое место, убедитесь в том, что выключатель находится в положении «Выкл.». Если при

переноске электроинструмента он подключен к сети, и при этом ваш палец находится на выключателе, это может стать причиной несчастных случаев.

- d. **Уберите все регулировочные или гаечные ключи перед включением электроинструмента.** Ключ, оставленный на вращающейся части электроинструмента, может травмировать.
  - e. **Не пытайтесь дотянуться до слишком удаленных поверхностей. Всегда твердо стойте на ногах, сохраняя равновесие.** Это позволит лучше контролировать электроинструмент в непредвиденных ситуациях.
  - f. **Одевайтесь соответствующим образом. Не носите свободную одежду и ювелирные украшения.** Следите за тем, чтобы волосы и одежда не попадали под движущиеся детали. Возможно наматывание свободной одежды, ювелирных изделий и длинных волос на движущиеся детали.
  - g. **При наличии устройств для подключения оборудования для удаления и сбора пыли необходимо обеспечить правильность их подключения и эксплуатации.** Использование устройства для пылеудаления сокращает риски, связанные с пылью.
  - h. **Не позволяйте хорошему знанию от частого использования инструментов стать причиной самонадеянности и игнорирования правил техники безопасности.** Небрежное действие может повлечь серьезные травмы за долю секунды.
4. **Эксплуатация электроинструмента и уход за ним**
    - a. **Избегайте чрезмерной нагрузки электроинструмента. Используйте электроинструмент в соответствии с назначением.** Правильно подобранный электроинструмент выполнит работу более эффективно и безопасно при стандартной нагрузке.
    - b. **Не пользуйтесь инструментом, если не работает выключатель.** Любой инструмент, управляемый выключением и включением которого невозможно, опасен, и его необходимо отремонтировать.
    - c. **Перед выполнением любых настроек, сменой дополнительных принадлежностей или прежде чем убрать инструмент на хранение, отключите его от сети и/или снимите с него аккумуляторную батарею, если ее можно снять.** Такие превентивные меры безопасности сокращают риск случайного включения электроинструмента.
    - d. **Храните электроинструмент в недоступном для детей месте и не позволяйте работать с инструментом людям, не имеющим**

соответствующих навыков работы с такого рода инструментами. Электроинструмент представляет опасность в руках неопытных пользователей.

- e. **Поддерживайте электроинструмент и принадлежности в исправном состоянии. Проверьте движущиеся детали на точность совмещения или заклинивание, наличие поломок или каких-либо других условий, которые могут повлиять на эксплуатацию электроинструмента. В случае обнаружения повреждений, прежде чем приступить к эксплуатации электроинструмента, его следует отремонтировать.** Большинство несчастных случаев происходит из-за электроинструментов, которые не обслуживаются должным образом.
  - f. **Следите за остротой заточки и чистой режущих принадлежностей.** Вероятность заклинивания инструмента, за которым следят должным образом и который хорошо заточен, значительно меньше, а работать с ним легче.
  - g. **Используйте данный электроинструмент, а также дополнительные принадлежности и насадки инструмента в соответствии с данными инструкциями и с учетом условий и специфики работы.** Использование электроинструмента для выполнения операций, для которых он не предназначен, может привести к опасной ситуации.
  - h. **Следите, чтобы рукоятки и поверхности захвата оставались сухими, чистыми и не содержали следов масла и консистентной смазки.** Скользкие рукоятки и поверхности захватывания не позволяют обеспечить безопасность работы и управления инструментом в непредвиденных ситуациях.
5. **Использование аккумуляторных инструментов и уход за ними (применимо только к аккумуляторным инструментам)**
    - a. **Используйте для зарядки аккумуляторной батареи только указанное производителем зарядное устройство.** Использование зарядного устройства определенного типа для зарядки других батарей может привести к возгоранию.
    - b. **Используйте для электроинструмента только батареи указанного типа.** Использование других аккумуляторных батарей может стать причиной травмы и пожара.
    - c. **Держите не используемую аккумуляторную батарею подальше от металлических предметов, таких как скрепки, монеты, ключи, гвозди, шурупы, и других мелких металлических предметов, которые могут замкнуть контакты батареи.**

Короткое замыкание контактов аккумуляторной батареи может привести к пожару или получению ожогов.

- d. **При повреждении аккумуляторной батареи, из нее может вытечь электролит. При случайном контакте с электролитом смойте его водой. При попадании электролита в глаза обратитесь за медицинской помощью.** Жидкость, находящаяся внутри аккумуляторной батареи, может вызвать раздражение или ожоги.
  - e. **Не используйте поврежденные или измененные аккумуляторные батареи или инструменты.** Поврежденные или измененные аккумуляторные батареи могут работать непредсказуемо, что может привести к возгоранию, взрыву или риску получения травм.
  - f. **Не подвергайте аккумуляторные батареи или инструмент воздействию огня или повышенной температуры.** Открытый огонь или воздействие температуры выше 130 °C может привести к взрыву. ПРИМЕЧАНИЕ: Температуру «130 °C» можно заменить на температуру «265 °F».
  - g. **Следуйте всем инструкциям по зарядке и не заряжайте аккумуляторную батарею или инструмент вне температурного диапазона, указанного в инструкции.** Неправильная зарядка или зарядка вне указанного температурного диапазона может привести к повреждению батареи и увеличить риск возгорания.
6. **Сервисное обслуживание**
    - a. **Обслуживание электроинструмента должен проводить квалифицированный специалист с использованием только оригинальных запасных частей.** Это позволит обеспечить безопасность обслуживаемого инструмента.
    - b. **Не выполняйте обслуживание поврежденных аккумуляторных батарей.** Обслуживание аккумуляторных батарей должно выполняться только производителем или авторизованными поставщиками услуг (применимо только к аккумуляторным инструментам).

### Инструкции по технике безопасности для всех видов работ

- При эксплуатации ударных дрелей надевайте защитные наушники. Шум может стать причиной снижения слуха.
- Удерживайте инструмент за изолированные ручки при выполнении работ, во время которых имеется вероятность контакта режущей принадлежности или крепежного элемента со скрытой электропроводкой. При удерживании металлических деталей инструмента

или фиксатора, в случае перерезания находящегося под напряжением провода возможно поражение оператора электрическим током.

### Правила техники безопасности при использовании длинных насадок

- Не работайте со скоростью выше максимальной рекомендуемой скорости насадки. На более высокой скорости повышается вероятность искривления насадки при свободном вращении без контакта с заготовкой, что может повлечь за собой травмы.
- Всегда начинайте сверлить на низкой скорости и только при контакте насадки с заготовкой. На более высокой скорости повышается вероятность искривления насадки при свободном вращении без контакта с заготовкой, что может повлечь за собой травмы.
- Прилагайте усилие только параллельно насадке и не прилагайте чрезмерное усилие. Это может погнуть насадку, что может привести к поломке или потере управления, что может повлечь за собой травмы.

### Дополнительные правила техники безопасности для дрели/шуруповерта/перфоратора

- Используйте зажимы или другие уместные средства фиксации заготовки на устойчивой опоре. Удерживание заготовки рукой или прижимание ее к телу не обеспечивает устойчивости и может привести к потере контроля.
- Насадки и инструмент могут нагреться во время работы. Надевайте перчатки во время выполнения работ, сопровождающихся нагревом, например, сверление металлов.
- Движущиеся части часто скрываются за вентиляционными прорезями; избегайте контакта с ними. Свободная одежда, украшения или длинные волосы могут быть затянуты движущимися деталями.
- Всегда надевайте защитные очки или другое устройство защиты для глаз. Во время сверления без удара или с ударом могут разлетаться кусочки стружки и частицы материала. Разлетающиеся осколки могут серьезно повредить глаза.
- При эксплуатации ударных дрелей надевайте защитные наушники. Шум может стать причиной снижения слуха.
- Используйте дополнительную рукоятку(и), которая входит в комплектацию инструмента. Потеря контроля может привести к травме.
- Не используйте данный инструмент в течение длительных промежутков времени. Вибрация, вызываемая инструментом, может оказывать вредное воздействие на руки. Используйте перчатки, для

обеспечения дополнительной амортизации и старайтесь ограничивать вредное воздействие за счет частых перерывов в работе.

### Безопасность окружающих

- Данный инструмент могут использовать дети в возрасте от 8 лет и старше, а также лица с ограниченными физическими, сенсорными или умственными способностями или лица с недостаточным опытом и знаниями, если они находятся под наблюдением или действуют согласно указаниям в отношении безопасного использования инструмента и понимают связанные с ним риски.
- Не позволяйте детям играть с инструментом. Чистку и техническое обслуживание не должны выполнять дети, если они не находятся под присмотром.

### Остаточные риски

При работе с инструментом возможно возникновение дополнительных остаточных рисков, которые не вошли в описанные здесь правила техники безопасности. Это может произойти при неправильной эксплуатации или продолжительном использовании изделия и т. п. Несмотря на соблюдение соответствующих инструкций по технике безопасности и использование

предохранительных устройств, некоторые остаточные риски невозможно полностью исключить. К ним относятся:

- Травмы в результате касания вращающихся/движущихся частей.
- Травмы при смене деталей, полотен или дополнительных принадлежностей.
- Травмы, связанные с продолжительным использованием инструмента. При использовании любого инструмента в течение продолжительного периода времени не забывайте делать перерывы.
- Ухудшение слуха.
- Ущерб здоровью в результате вдыхания пыли в процессе работы с инструментом (например, при обработке древесины, в особенности, дуба, бука и МДФ.)

### Вибрация

Заявленные значения вибрации, указанные в технических спецификациях и заявлении о соответствии, были измерены в соответствии со стандартным методом тестирования EN62841 и пригодны для сравнения инструментов. Приведенные значения уровня вибрации могут также использоваться для предварительной оценки величины вибрационного воздействия.



**Внимание!** Значения вибрационного воздействия при работе с электроинструментом зависят от вида работ, выполняемых данным инструментом, и могут отличаться от заявленных значений.

Уровень вибрации может быть выше заявленного.

При оценке уровня вибрации для определения меры безопасности, предусмотренного 2002/44/ЕС для защиты людей, регулярно пользующихся электроинструментом при работе, нужно принимать во внимание уровень вибрации, реальные условия использования и способ использования инструмента, а также учитывать все этапы цикла работы – когда инструмент выключается, когда он работает на холостом ходу, а также время переключения с одного режима на другой.

### Условные обозначения на инструменте

Помимо кода даты на инструменте имеются следующие знаки:



**Внимание!** Во избежание риска получения травм, прочтите руководство по эксплуатации.

### Дополнительные правила техники безопасности при работе с аккумуляторными батареями и зарядными инструментами

#### Аккумуляторные батареи

- Никогда не пытайтесь разбирать аккумуляторные батареи.
- Не подвергайте аккумуляторные батареи воздействию воды.
- Не подвергайте аккумуляторные батареи воздействию тепла.
- Не оставляйте батареи в местах, где температура превышает 40 °С.
- Заряжайте батареи только при температуре от 10 °С до 40 °С.
- Выполняйте зарядку только с помощью зарядного устройства, поставляемого с устройством/инструментом.
- При утилизации батарей следуйте инструкциям, указанным в разделе «Защита окружающей среды».
- Избегайте повреждений/деформации аккумуляторной батареи в результате разрыва или удара. Это представляет риск получения травм и возникновения пожара.
- Не заряжайте поврежденные аккумуляторные батареи.
- В экстремальных случаях может произойти разгерметизация батареи. При обнаружении протечки аккумуляторной батареи, тщательно удалите жидкость с помощью ткани. Избегайте контакта с кожей.
- При контакте с кожей или глазами следуйте приведенным ниже инструкциям.



**Внимание!** Электролит аккумуляторной батареи может привести к травмам или материальному ущербу. При попадании на кожу немедленно

промойте пораженный участок водой. При появлении покраснения, боли или раздражения обратитесь за медицинской помощью. При попадании в глаза промойте большим количеством проточной воды и обратитесь за медицинской помощью.

1. Пусковой выключатель
2. Переключатель направления вращения
3. Переключатель режимов сверления
4. Ограничитель глубины сверления
5. Держатель насадки
6. Боковая рукоятка
7. Аккумуляторная батарея

## Зарядные устройства

Зарядное устройство предназначено для работы с определенным напряжением. Необходимо обязательно убедиться в том, что напряжение источника питания соответствует указанному на паспортной табличке устройства.



**Внимание!** Никогда не пытайтесь заменить зарядное устройство на обычную сетевую вилку.

- Используйте зарядное устройство только для зарядки аккумуляторной батареи того инструмента, с которым оно поставлялось. Использование аккумуляторных батарей другого типа может привести к взрыву, травмам и повреждениям.
- Не пытайтесь заряжать одноразовые батареи.
- При повреждении кабеля питания, во избежание рисков, замените его у производителя или в официальном сервисном центре.
- Немедленно заменяйте поврежденный кабель питания.
- Не подвергайте зарядное устройство воздействию воды.
- Не вскрывайте зарядное устройство.
- Не разбирайте зарядное устройство.
- Во время зарядки инструмент/устройство/аккумуляторную батарею нужно оставить в хорошо проветриваемом помещении.



Зарядное устройство можно использовать только в помещении.

## Электробезопасность



Данное зарядное устройство имеет двойную изоляцию, поэтому заземление не требуется. Следите за напряжением электрической сети, оно должно соответствовать величине, обозначенной на информационной табличке прибора.

Если поврежден сетевой кабель, его нужно заменить у производителя или в авторизованном сервисном центре STANLEY FAT MAX во избежание несчастного случая.

## Составные части

Данный инструмент может содержать все или некоторые из перечисленных ниже составных частей.

## Сборка

### Использование

**Внимание!** Инструмент должен работать в обычном режиме. Избегайте перегрузок.

### Зарядка аккумуляторной батареи (SFMCH900B без батарей, SFMCH900M12 с одной батареей, SFMCH900M22 с двумя батареями) (Рис. А)

Аккумуляторную батарею нужно заряжать перед первым использованием и каждый раз, когда заряда недостаточно для выполняемых работ. Во время зарядки аккумуляторная батарея нагревается, это нормально и не означает неисправность.

**Внимание!arning!** Не заряжайте батарею при температуре окружающей среды ниже 10 °С или выше 40 °С. Рекомендуемая температура при зарядке: приблизительно 24 °С.

Примечание: Зарядное устройство не будет заряжать аккумуляторную батарею, если температура элемента аккумуляторной батареи ниже 10 °С или выше 40 °С. Аккумуляторную батарею следует оставить в зарядном устройстве. Зарядка начнется автоматически, когда температура элемента аккумуляторной батареи выровняется до нормальных значений.

**Примечание:** Чтобы обеспечить максимальную производительность и срок службы ионно-литиевых батарей, перед первым использованием полностью зарядите их.

- и Перед установкой батареи (7) подключите зарядное устройство (8) к соответствующей розетке.
- ◆ Зеленый индикатор зарядки (8а) начнет мигать, означая, что процесс зарядки начался.
- ◆ По окончании зарядки, зеленый индикатор зарядки (8а) будет гореть непрерывно, не мигая. Теперь аккумуляторная батарея (7) полностью заряжена, и ее можно использовать или оставить в зарядном устройстве (8).
- ◆ Заряжайте разряженные батареи 1 раз в неделю. Срок службы аккумуляторной батареи значительно уменьшается, если ее хранить в разряженном состоянии.

Режимы горения светодиодного индикатора зарядного устройства

|  |  |   |
|--|--|---|
|  | <b>Зарядка:</b><br>Мигающий зеленый светодиод  |  |
|  | <b>Полностью заряжен:</b><br>Непрерывно горящий зеленый светодиод                                    |  |
|  | <b>Температурная задержка:</b><br>Мигающий зеленый светодиод<br>Непрерывно горящий красный светодиод |  |

**Примечание:** Зарядное (-ые) устройство (-а) не может (-гут) полностью зарядить неисправную аккумуляторную батарею. При неисправной аккумуляторной батарее, индикатор на зарядном устройстве не загорится.

**Примечание:** Также это может указывать на проблему с зарядным устройством. Если зарядное устройство указывает на наличие проблемы, проверьте аккумуляторную батарею и зарядное устройство в авторизованном сервисном центре.

### Хранение аккумуляторной батареи в зарядном устройстве

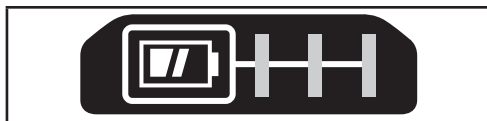
Аккумуляторную батарею можно оставлять в зарядном устройстве на неопределенное время, когда горит светодиод. Зарядное устройство будет поддерживать полную зарядку аккумуляторной батареи.

### Температурная задержка

При слишком низкой или слишком высокой температуре батареи, зарядное устройство автоматически переходит в режим температурной задержки: зеленый светодиод (8a) будет мигать, в то время как красный светодиод (8b) будет гореть постоянно; при этом зарядка не начинается до тех пор, пока батарея не достигнет нужной температуры. Как только нужная температура будет достигнута, устройство автоматически перейдет в режим зарядки. Данная функция обеспечивает максимальный срок эксплуатации аккумуляторной батареи.

### Индикатор заряда (Рис. В)

Аккумуляторная батарея включает в себя индикатор заряда, который позволяет быстро установить состояние заряда батареи, как показано на Рис. В. Нажатие кнопки заряда (7a) позволяет легко посмотреть состояние оставшегося заряда батареи, как показано на Рис. В.



### Установка и извлечение аккумуляторной батареи из инструмента

**Внимание!** Проверьте, нажата ли кнопка блокировки, чтобы исключить вероятность срабатывания пускового выключателя при извлечении или установке батареи.

### Установка батарей (SFMCH900B без батарей, SFMCH900M12 с одной батареей, SFMCH900M22 с двумя батареями) (Рис. С)

- ◆ Крепко вставьте аккумуляторную батарею в инструмент до щелчка, как показано на Рис. С. Убедитесь, что батарея полностью вошла и зафиксирована на месте.

### Извлечение батареи (Рис. D)

- ◆ Нажмите кнопку разблокирования аккумуляторного отсека (7b), как показано на Рис. D и извлеките аккумуляторную батарею из инструмента.

### Установка боковой рукоятки (Рис. E)

- ◆ Поворачивайте рукоятку против часовой стрелки, пока вы не сможете сдвинуть боковую рукоятку (6) на переднюю часть инструмента, как показано на рисунке.
- ◆ Поверните боковую рукоятку в нужное положение.
- ◆ Затяните боковую рукоятку, повернув ручку по часовой стрелке.

### Установка ограничителя глубины (Рис. E)

- ◆ Нажмите кнопку (6b).
- ◆ Вставьте ограничитель глубины (4) в монтажное отверстие (6a), как показано на рисунке.
- ◆ Установите ограничитель глубины (4) в нужное положение. Максимальная глубина сверления равна расстоянию между кончиком насадки и передним концом ограничителя глубины.
- ◆ Отпустите кнопку (6b).

### Установка насадок (Рис. F)

- ◆ Очистите и смажьте хвостовик (9) насадки.
- ◆ Оттяните назад муфту (5a) и вставьте хвостовик в держатель насадки (5).
- ◆ Надавите на насадку и слегка поверните ее, чтобы хвостовик вошел в шлицы.
- ◆ Потяните за насадку, чтобы убедиться, что она надежно закреплена. При использовании ударной функции, насадка в закреплённом состоянии



должна свободно перемещаться по оси на несколько сантиметров.

- ◆ Чтобы извлечь насадку, оттяните назад муфту держателя (5a) и извлеките насадку.

**Внимание!** Перед тем как сверлить отверстия в стенах, полах или потолках, проверьте места расположения проводки и трубопроводов. **Внимание!** Не вставляйте долота, когда инструмент находится в режиме сверления.

### Выбор режима работы (Рис. G)

Данный инструмент имеет три режима работы.

- ◆ Чтобы задействовать переключатель режима работы (3), нажмите кнопку разблокировки. Поверните переключатель в нужное положение, как показано символами.

### Переключатель направления вращения (Рис. H)

- ◆ Переведите переключатель (2) в нужном направлении.

### Включение и выключение (Рис. I)

- ◆ Чтобы включить инструмент, нажмите на пусковой выключатель (1).
- ◆ Чтобы выключить инструмент, отпустите выключатель.

Держите инструмент, как показано на Рис. J.

### Сверление

- ◆ Для сверления стали, древесины и пластмассы (что возможно только с помощью переходника, который не входит в комплект поставки), а также для закручивания и выкручивания шурупов и винтов, установите переключатель режима работы (3) в положение

### Сверление с ударом

- ◆ Для сверления с ударом в кирпичной кладке и бетоне установите переключатель режимов сверления (3) в положение . При работе инструмент должен плавно работать и не отскакивать. По надобности, увеличьте скорость.

### Долбление

- ◆ Для ударного сверления с заблокированным шпинделем, легкого дробления и скалывания, установите переключатель режима работы (3) в положение .
- ◆ При переходе от ударного сверления по бетону к легкому дроблению, поверните долото в нужное положение. Если во время смены режима возникает сопротивление, слегка поверните долото для блокировки шпинделя.

## Дополнительные принадлежности

Производительность вашего инструмента напрямую зависит от используемых принадлежностей.

Принадлежности STANLEY FAT MAX изготовлены в соответствии с самыми высокими стандартами качества и способны увеличить производительность вашего инструмента. Используя эти принадлежности, вы достигнете наилучших результатов в работе.

**Внимание!** В связи с тем, что дополнительные принадлежности других производителей помимо STANLEY FATMAX не проходили проверку на совместимость с данным изделием, их использование может представлять опасность. Во избежание травм, с данным инструментом следует использовать только дополнительные принадлежности, рекомендованные STANLEY FATMAX.

## Техническое обслуживание

Проводной/беспроводной инструмент/устройство STANLEY FAT MAX имеет длительный срок эксплуатации и требует минимальных затрат на техобслуживание. Срок службы и надежность инструмента увеличивается при правильном уходе и регулярной чистке.

**Внимание!** Перед выполнением любых работ по техническому обслуживанию проводных/беспроводных электроинструментов:

- ◆ Выключите и отключите от сети устройство/инструмент.
- ◆ Регулярно очищайте вентиляционные отверстия зарядного устройства с помощью мягкой щетки или сухой тканевой салфетки.
- ◆ Регулярно очищайте корпус двигателя с помощью влажной салфетки. Не используйте никакие абразивные чистящие средства или средства на основе растворителей.
- ◆ Регулярно открывайте патрон и очищайте его от грязи внутри постукиванием (после установки).

## Защита окружающей среды



Отдельная утилизация. Изделия и аккумуляторные батареи с данным символом на маркировке запрещается утилизировать с обычными бытовыми отходами.

Изделия и аккумуляторные батареи содержат материалы, которые могут быть извлечены или переработаны, снижая потребность в исходном сырье. Пожалуйста, утилизируйте электрические изделия и аккумуляторные батареи в соответствии с местными нормами. Дополнительная информация доступна по адресу [www.2helpU.com](http://www.2helpU.com)

**Технические характеристики**

|                                     | SFMC900M12              | SFMC900M22 | SFMC900B* |        |
|-------------------------------------|-------------------------|------------|-----------|--------|
| Входное напряжение                  | V <sub>пост. тока</sub> | 18         | 18        | 18     |
| Скорость без нагрузки               | мин <sup>-1</sup>       | 0–1500     | 0–1500    | 0–1500 |
| Ударов в минуту без нагрузки        | уд/мин.                 | 0–5500     | 0–5500    | 0–5500 |
| Энергия одного удара (EPTA 05/2009) | Дж                      | 2,0        | 2,0       | 2,0    |
| Вес                                 | кг                      | 2,9        | 2,9       | 2,3    |

| Макс. скорость сверления |    |    |    |    |
|--------------------------|----|----|----|----|
| Бетон                    | мм | 22 | 22 | 22 |
| Сталь                    | мм | 13 | 13 | 13 |
| Древесина                | мм | 30 | 30 | 30 |

| Аккумуляторная батарея |                         | SFMCB201       | SB202 / SFMCB202 | SB204 / SFMCB204 | SB206 / SFMCB206 |
|------------------------|-------------------------|----------------|------------------|------------------|------------------|
| Напряжение             | V <sub>пост. тока</sub> | 18             | 18               | 18               | 18               |
| Емкость                | Ач                      | 1,5            | 2,0              | 4,0              | 6,0              |
| Тип                    |                         | Ионно-литиевая | Ионно-литиевая   | Ионно-литиевая   | Ионно-литиевая   |

| Зарядное устройство |                          | SFMCB11 | SC200 / SFMCB12 | SFMCB14 |
|---------------------|--------------------------|---------|-----------------|---------|
| Входное напряжение  | V <sub>перем. тока</sub> | 230     | 230             | 230     |
| Выходное напряжение | V <sub>пост. тока</sub>  | 18      | 18              | 18      |
| Ток                 | А                        | 1,25    | 2               | 4       |

**\*С устройством SFMC900B не поставляется аккумуляторная батарея или зарядное устройство**

| Уровень звукового давления в соответствии с EN 62841: |  |
|---|--|
| Сверление с ударом                                    | Уровень звукового давления (L <sub>WA</sub> ) 81,9 дБ(А), погрешность (К) 3 дБ(А) Допление Уровень звукового давления (L <sub>WA</sub> ) 83,6 дБ(А), погрешность (К) 3,3 дБ(А) |
| Сверление с ударом                                    | Уровень звукового давления (L <sub>WA</sub> ) 92,9 дБ(А), погрешность (К) 3 дБ(А) Допление Уровень звукового давления (L <sub>WA</sub> ) 94,4 дБ(А), погрешность (К) 3,3 дБ(А) |

| Сумма величин вибрации (сумма векторов по трем осям), измеренных в соответствии со стандартом EN 62841: |  |
|---|--|
| Сверление с ударом в бетоне (a <sub>h, D</sub> )  | 13,1 м/с <sup>2</sup> , погрешность (К) 1,5 м/с <sup>2</sup> |
| Допление (a <sub>h, Chex</sub> )  | 10,6 м/с <sup>2</sup> , погрешность (К) 1,5 м/с <sup>2</sup> |
| Сверление в металле (a <sub>h, D</sub> )  | <2,5 м/с <sup>2</sup> , погрешность (К) 1,5 м/с <sup>2</sup> |
| Заворачивание (a <sub>h</sub> )   | <2,5 м/с <sup>2</sup> , погрешность (К) 1,5 м/с <sup>2</sup> |

**Заявление о соответствии нормам ЕС ДИРЕКТИВА ПО МЕХАНИЧЕСКОМУ ОБОРУДОВАНИЮ**



**SFMC900 Перфоратор**

STANLEY FAT MAX заявляет, что продукция, описанная в разделе «Технические характеристики» соответствует: EN62841-1:2015, EN62841-2-1:2014.

Эти изделия также соответствуют Директивам 2006/42/ЕС, 2014/30/EU and 2011/65/EU. За дополнительной информацией обращайтесь в компанию STANLEY FAT MAX по адресу, указанному ниже или приведенному на задней стороне обложки руководства.

Нижеподписавший составил данную декларацию по поручению компании STANLEY FATMAX и несет ответственность за составление технической документации.

Эд Хиггинс (Ed Higgins)

Директор отдела потребительских электроинструментов  
 Директор инженерного отдела  
 Stanley Europe, Egide Walschaertsstraat 14-18,  
 2800 Mechelen, Belgium  
 НА РАССМОТРЕНИИ

**Гарантия**

Компания STANLEY FAT MAX уверена в качестве своей продукции и предлагает клиентам гарантию на 12 месяцев с момента покупки. Данная гарантия является дополнительной и ни в коей мере не направлена на ущемление ваших юридических прав. Гарантия действует на территории стран-участниц Европейского союза и в Европейской зоне свободной торговли.

Чтобы подать заявку по гарантии, заявка должна соответствовать положениям и условиям STANLEY FAT MAX; кроме того, Вам потребуется предъявить продавцу или авторизованному специалисту по ремонту подтверждение покупки.

Положения и условия 1-летней гарантии STANLEY FAT MAX и местонахождение ближайшего авторизованного специалиста по ремонту можно узнать через Интернет по адресу [www.2helpU.com](http://www.2helpU.com), или связавшись с местным

представительством STANLEY FAT MAX по адресу, указанному в данном руководстве.

Посетите наш веб-сайт [www.stanley.eu/3](http://www.stanley.eu/3), чтобы зарегистрировать свое новое изделие STANLEY FAT MAX и получать информацию о новинках и специальных предложениях.

Дополнительная информация:

Дату изготовления (код даты) указан на корпусе инструмента. Код даты, который так же включает год изготовления, отштампован на поверхности корпуса изделия. Пример: 2021 46 XX, где 2021 – год изготовления, 46-неделя изготовления, XX – код завода изготовителя.

ТОВАР СЕРТИФИЦИРОВАН. Орган по сертификации "РОСТЕСТ- Москва", Адрес: 119049, г. Москва, улица Житная, д. 14, стр. 1; 117418, Москва, Нахимовский просп., 31 (факт.). Тел.: (499) 1292311, (495) 6682893, E-mail: [office@rostest.ru](mailto:office@rostest.ru)

Изготовитель: Изготовитель: Блэк энд Деккер Холдингс ГмбХ, Германия, 65510, Идштайн, ул. Блэк энд Деккер, 40, тел. +496126212790.

Уполномоченное изготовителем юр.лицо: ООО "Стэнли Блэк энд Деккер", 117485, город Москва, улица Обручева, дом 30/1, строение 2, Телефон: + 7 (495) 258-3981, факс: + 7 (495) 258-3984, E-mail: [inbox@dewalt.com](mailto:inbox@dewalt.com). Сведения о импортере указаны в сопроводительной документации и/или на упаковке.



**Приложение к руководству по эксплуатации электрооборудования для определения месяца производства по номеру текущей календарной недели года**

Электрооборудование торговых марок "Dewalt", "Stanley", "Stanley FatMAX", "BLACK+DECKER".

Директивы 2014/30/EU ЕВРОПЕЙСКОГО ПАРЛАМЕНТА И СОВЕТА от 26 февраля 2014 г. "О гармонизации законодательства Государств-членов ЕС в области электромагнитной совместимости", 2006/42/ЕС ЕВРОПЕЙСКОГО ПАРЛАМЕНТА И СОВЕТА от 17 мая 2006 г. "О машинах и оборудовании"; 2014/35/EU ЕВРОПЕЙСКОГО ПАРЛАМЕНТА И СОВЕТА от 26 февраля 2014 г. "О гармонизации законодательства государств-членов в области размещения на рынке электрооборудования, предназначенного для использования в определенных пределах напряжения". Серийный выпуск.

**ТОВАР СЕРТИФИЦИРОВАН**

Орган по сертификации "РОСТЕСТ- Москва", Адрес: 119049, г. Москва, улица Житная, д. 14, стр. 1; 117418, Москва, Нахимовский просп., 31 (фактический), Телефон: (499) 1292311, (495) 6682893, Факс: (495) 6682893, E-mail: [office@rostest.ru](mailto:office@rostest.ru)  
Изготовитель: Изготовитель: Блэк энд Деккер Холдингс ГмбХ, Германия, 65510, Идштайн, ул. Блэк энд Деккер, 40, тел. +496126212790.

**Уполномоченное изготовителем юр.лицо:**

ООО "Стэнли Блэк энд Деккер", 117485, город Москва, улица Обручева, дом 30/1, строение 2  
Телефон: + 7 (495) 258-3981, факс: + 7 (495) 258-3984, E-mail: [inbox@dewalt.com](mailto:inbox@dewalt.com)  
Сведения о импортере указаны в сопроводительной документации и/или на упаковке

**Хранение.**

Необходимо хранить в сухом месте, вдали от источников повышенных температур и воздействия солнечных лучей. При хранении необходимо избегать резкого перепада температур. Хранение без упаковки не допускается

**Срок службы.**

Срок службы изделия составляет 5 лет. Не рекомендуется к эксплуатации по истечении 5 лет хранения с даты изготовления без предварительной проверки.  
Дата изготовления (код даты) указана на корпусе инструмента.  
Код даты, который также включает год изготовления, отштампован на поверхности корпуса изделия.

**Пример:**

2014 46 XX, где 2014 –год изготовления, 46-неделя изготовления. Определить месяц изготовления по указанной неделе изготовления можно согласно приведенной ниже таблице.

**Транспортировка.**

Категорически не допускается падение и любые механические воздействия на упаковку при транспортировке.  
При разгрузке/погрузке не допускается использование любого вида техники, работающей по принципу зажима упаковки.

**Перечень критических отказов, возможные ошибочные действия персонала.**

- Не допускается эксплуатация изделия:
- При появлении дыма из корпуса изделия
- При поврежденном и/или оголенном сетевом кабеле
- при повреждении корпуса изделия, защитного кожуха, рукоятки
- при попадании жидкости в корпус
- при возникновении сильной вибрации
- при возникновении сильного искрения внутри корпуса
- Критерии предельных состояний.**
- При поврежденном и/или оголенном сетевом кабеле
- при повреждении корпуса изделия

| Месяц  | Январь | Февраль | Март | Апрель | Май | Июнь | Июль | Август | Сентябрь | Октябрь | Ноябрь | Декабрь | Год производства |
|--------|--------|---------|------|--------|-----|------|------|--------|----------|---------|--------|---------|------------------|
| Неделя | 1      | 5       | 9    | 14     | 18  | 23   | 27   | 31     | 36       | 40      | 44     | 49      | 2018             |
|        | 2      | 6       | 10   | 15     | 19  | 24   | 28   | 32     | 37       | 41      | 45     | 50      |                  |
|        | 3      | 7       | 11   | 16     | 20  | 25   | 29   | 33     | 38       | 42      | 46     | 51      |                  |
|        | 4      | 8       | 12   | 17     | 21  | 26   | 30   | 34     | 39       | 43      | 47     | 52      |                  |
|        |        |         | 13   |        | 22  |      |      | 35     |          |         | 48     |         |                  |
| Неделя | 1      | 6       | 10   | 14     | 18  | 23   | 27   | 31     | 36       | 40      | 45     | 49      | 2019             |
|        | 2      | 7       | 11   | 15     | 19  | 24   | 28   | 32     | 37       | 41      | 46     | 50      |                  |
|        | 3      | 8       | 12   | 16     | 20  | 25   | 29   | 33     | 38       | 42      | 47     | 51      |                  |
|        | 4      | 9       | 13   | 17     | 21  | 26   | 30   | 34     | 39       | 43      | 48     | 52      |                  |
|        | 5      |         |      |        | 22  |      |      | 35     |          | 44      |        |         |                  |
| Неделя | 1      | 6       | 10   | 14     | 19  | 23   | 27   | 32     | 36       | 40      | 45     | 49      | 2020             |
|        | 2      | 7       | 11   | 15     | 20  | 24   | 28   | 33     | 37       | 41      | 46     | 50      |                  |
|        | 3      | 8       | 12   | 16     | 21  | 25   | 29   | 34     | 38       | 42      | 47     | 51      |                  |
|        | 4      | 9       | 13   | 17     | 22  | 26   | 30   | 35     | 39       | 43      | 48     | 52      |                  |
|        | 5      |         |      |        | 18  |      | 31   |        | 44       |         |        |         |                  |
| Неделя | 2      | 6       | 10   | 14     | 19  | 23   | 27   | 32     | 36       | 41      | 45     | 49      | 2021             |
|        | 3      | 7       | 11   | 15     | 20  | 24   | 28   | 33     | 37       | 42      | 46     | 50      |                  |
|        | 4      | 8       | 12   | 16     | 21  | 25   | 29   | 34     | 38       | 43      | 47     | 51      |                  |
|        | 5      | 9       | 13   | 17     | 22  | 26   | 30   | 35     | 39       | 44      | 48     | 52      |                  |
|        |        |         |      | 18     |     |      | 31   |        | 40       |         |        | 1       |                  |
| Неделя | 2      | 6       | 10   | 15     | 19  | 23   | 28   | 32     | 36       | 41      | 45     | 49      | 2022             |
|        | 3      | 7       | 11   | 16     | 20  | 24   | 29   | 33     | 37       | 42      | 46     | 50      |                  |
|        | 4      | 8       | 12   | 17     | 21  | 25   | 30   | 34     | 38       | 43      | 47     | 51      |                  |
|        | 5      | 9       | 13   | 18     | 22  | 26   | 31   | 35     | 39       | 44      | 48     | 52      |                  |
|        |        |         | 14   |        |     | 27   |      |        | 40       |         |        | 1       |                  |

**STANLEY**  
**FATMAX**

## ГАРАНТИЙНЫЙ ТАЛОН

**3 ГОДА**  
**ГАРАНТИИ**

1. Поздравляем Вас с покупкой высококачественного изделия STANLEY FATMAX и выражаем признательность за Ваш выбор.
2. При покупке изделия требуйте проверки его комплектности и исправности в Вашем присутствии, инструкцию по эксплуатации и заполненный Гарантийный талон на русском языке. В гарантийном талоне должны быть внесены: модель, дата продажи, серийный номер, дата производства инструмента; название, печать и подпись торговой организации. При отсутствии у Вас правильно заполненного Гарантийного талона, а также несоответствия указанных в нем данных, мы будем вынуждены отклонить Ваши претензии по качеству данного изделия.
3. Во избежание недоразумений, убедительно просим Вас перед началом работы с изделием внимательно ознакомиться с инструкцией по его эксплуатации. Правовой основой настоящих гарантийных условий является действующее Законодательство. Гарантийный срок на данное изделие составляет 36 месяцев и исчисляется со дня продажи. В случае устранения недостатков изделия, гарантийный срок продлевается на период его нахождения в ремонте. Срок службы изделия составляет 5 лет со дня продажи.
4. В случае возникновения каких-либо проблем в процессе эксплуатации изделия рекомендуем Вам обращаться только в уполномоченные сервисные центры STANLEY FATMAX, адреса и телефоны которых Вы сможете найти на сайте [www.2helpU.com](http://www.2helpU.com) или узнать в магазине. Наши сервисные станции - это не только квалифицированный ремонт, но и широкий ассортимент запчастей и принадлежностей.
5. Производитель рекомендует проводить периодическую проверку и техническое обслуживание изделия в уполномоченных сервисных центрах.
6. Наши гарантийные обязательства распространяются только на неисправности, выявленные в течение гарантийного срока и вызванные дефектами производства и / или материалов.
7. Гарантийные условия не распространяются на неисправности изделия, возникшие в результате:
  - 7.1. Несоблюдения пользователем предписаний инструкции по эксплуатации изделия, применения изделия не по назначению, неправильного хранения, использования принадлежностей, расходных материалов и запчастей, не предусмотренных производителем.
  - 7.2. Механического повреждения (сколы, трещины и разрушения) внутренних и внешних деталей изделия, основных и вспомогательных рукояток, сетевого электрического кабеля, вызванного внешним ударным или любым иным воздействием.
  - 7.3. Попадания в вентиляционные отверстия и проникновение внутрь изделия посторонних предметов, материалов или веществ, не являющихся отходами, сопровождающими применение изделия по назначению, такими как: стружка, опилки, песок, и пр.
  - 7.4. Воздействий на изделие неблагоприятных атмосферных и иных внешних факторов, таких как дождь, снег, повышенная влажность, нагрев, агрессивные среды, несоответствие параметров питающей электросети, указанных на инструменте.
  - 7.5. Стихийного бедствия. Повреждение или утрата изделия, связанное с непредвиденными бедствиями, стихийными явлениями, в том числе вследствие действия непреодолимой силы (пожар, молния, потоп и другие природные явления), а также вследствие перепадов напряжения в электросети и других причин, которые находятся вне контроля производителя.
8. Гарантийные условия не распространяются:
  - 8.1. На инструменты, подвергавшиеся вскрытию, ремонту или модификации вне уполномоченного сервисного центра.
  - 8.2. На детали и узлы, имеющие следы естественного износа, такие как: приводные ремни и колеса, угольные щетки, смазка, подшипники, зубчатое зацепление редукторов, резиновые уплотнения, сальники, направляющие ролики, муфты сцепления, бойки, толкатели, стволы, и т.п.
  - 8.3. На сменные и расходные части: цанги, зажимные гайки и фланцы, фильтры, ножи, шлифовальные подошвы, цепи, звездочки, пыльные шины, защитные кожухи, пилки, абразивы, пыльные и абразивные диски, фрезы, сверла, буры и т.п.
  - 8.4. На неисправности, возникшие в результате перегрузки инструмента (как механической, так и электрической), повлекшей выход из строя одновременно двух и более деталей и узлов, таких как ротора и статора, обеих обмоток статора, ведомой и ведущей шестерни редуктора или других узлов и деталей. К безусловным признакам перегрузки изделия относятся, помимо прочего: появление цветов побежалости, деформация или оплавление деталей и узлов изделия, потемнение или облупливание изоляции проводов электродвигателя под воздействием высокой температуры.

Товар получен в исправном состоянии, без видимых повреждений, в полной комплектации, проверен в моем присутствии, претензий по качеству товара не имею. С условиями гарантийного обслуживания ознакомлен и согласен.

Ф. И. О. и подпись покупателя \_\_\_\_\_

**Уважаемые клиенты, наша сеть авторизованных сервисных центров постоянно расширяется. Актуальную информацию об обслуживании в интересующем вас городе вы можете узнать на сайте**

**[www.2helpU.com](http://www.2helpU.com)**

Информация об инструменте

|                          |  |
|--------------------------|--|
| Наименование инструмента |  |
| Модель                   |  |
| Наименование продавца    |  |
| Дата продажи             |  |

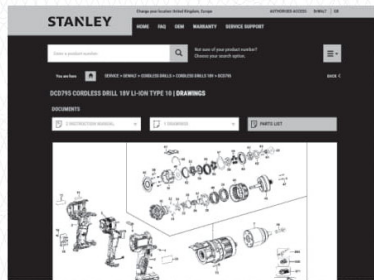
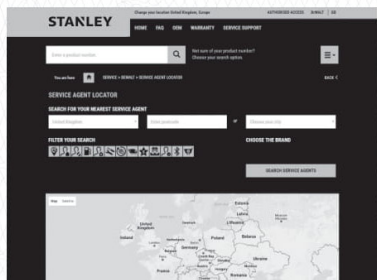
М.П.  
Продавца

Серийный номер / Дата производства

|                     |  |
|---------------------|--|
| Инструмент          |  |
| Зарядное устройство |  |
| Аккумулятор 1       |  |
| Аккумулятор 2       |  |

**На сайте [www.2helpU.com](http://www.2helpU.com) доступны следующие функции:**

- Список авторизованных сервисных центров
- Удобный поиск ближайшего сервисного центра
- Руководство по эксплуатации
- Технические характеристики
- Список деталей и запасных частей
- Схема сборки инструмента



**Также данную информацию вы можете получить, позвонив по телефону:  
8(800) 1000 876**

**ОТМЕТКА О ПРОВЕДЕНИИ СЕРВИСНОГО ОБСЛУЖИВАНИЯ**

| №1                                 | №2                                 | №3                                 | №4                                 |
|------------------------------------|------------------------------------|------------------------------------|------------------------------------|
| № заказа                           | № заказа                           | № заказа                           | № заказа                           |
| Дата поступления                   | Дата поступления                   | Дата поступления                   | Дата поступления                   |
| Дата ремонта                       | Дата ремонта                       | Дата ремонта                       | Дата ремонта                       |
| Печать и подпись сервисного центра | Печать и подпись сервисного центра | Печать и подпись сервисного центра | Печать и подпись сервисного центра |

## Сфера застосування

Ваш перфоратор SFMCH900 виробництва компанії STANLEY FAT MAX розроблений для свердління кладки і легкого добання, а також може використовуватися для свердління деревини, металу і пластику з адаптером SDS (не входить до комплекту поставки). Цей пристрій призначений для професійного використання, а також для приватних непрофесійних користувачів.

## Інструкції з техніки безпеки

### Загальні правила безпеки для електричного інструмента



**Увага! Ознайомтеся з усіма попередженнями, інструкціями з техніки безпеки, зображеннями та специфікаціями, які поставляються з цим електричним інструментом. Невиконання наведених нижче інструкцій може призвести до ураження електричним струмом, пожежі та/або серйозних травм.**

**Збережіть всі попередження та інструкції для використання в майбутньому.** Термін «електричний інструмент» в усіх попередженнях, перерахованих нижче, стосується використовуваних вами інструментів, що працюють від мережі енергоспоживання (з використанням електричного кабелю) або батарей (без кабелю).

#### 1. Безпека робочої зони

- Робоча зона завжди має бути чистою та добре освітленою.** Захаращена або темна робоча зона призводить до нещасних випадків.
- Не використовуйте електричні інструменти у вибухонебезпечній атмосфері, наприклад поруч із вогнебезпечними рідинами, газами та пилом.** Електричні інструменти створюють іскри, що можуть запалити пил або пару.
- Тримайте дітей та сторонніх спостерігачів подалі під час використання інструмента.** Відвернення уваги може призвести до втрати контролю.

#### 2. Електрична безпека

- Вилка електричного інструмента повинна відповідати розетці. Ніколи жодним чином не змінюйте вилку.**  
**Не використовуйте адаптери з заземленими електричними інструментами.** Немодифіковані вилки та розетки, що підходять до них, зменшують ризик ураження електричним струмом.
- Уникайте контакту тіла з заземленими поверхнями, такими як труби, радіатори, плити та холодильники.** Якщо ваше тіло заземлене, збільшується ризик ураження електричним струмом.

- Не залишайте електричні інструменти під дощем або в умовах підвищеної вологості.** Вода, що потрапляє в електричний інструмент, підвищує ризик ураження електричним струмом.
- Не використовуйте кабель живлення не за призначенням. Ніколи не переносьте, не тягніть та не відключайте електричний інструмент від розетки електроживлення за допомогою шнура.** Тримайте шнур подалі від високих температур, мастила, гострих предметів та рухомих деталей. Пошкоджені або перекручені шнури підвищують ризик ураження електричним струмом.
- При використанні електричного інструмента просто неба використовуйте подовжувальний шнур, що підходить для використання просто неба.** Шнур, що призначений для використання поза приміщенням, знижує ризик ураження електричним струмом.
- Якщо неможливо уникнути використання електричного інструмента в умовах підвищеної вологості, використовуйте живлення, захищене пристроєм з керуванням диференційним струмом (Residual current device, RCD).** Використання RCD знижує ризик ураження електричним струмом.

#### 3. Особиста безпека

- Будьте уважні, дивіться, що ви робите, та будьте розсудливі, працюючи з електричним інструментом.**  
**Не використовуйте електричний інструмент, коли ви втомлені або знаходитесь під впливом наркотичних речовин, алкоголю або ліків.** Втрата уваги під час роботи з електричним інструментом може призвести до серйозних тілесних ушкоджень.
- Використовуйте особисті засоби безпеки. Завжди використовуйте засоби захисту очей.** Засоби безпеки, такі як протипилова маска, нековзкі безпечні черевки, захисний шолом та засоби захисту слухового апарату, використані для відповідних умов, зменшують імовірність особистих травм.
- Уникайте випадкового запуску. Переконайтесь в тому, що перемикач знаходиться в позиції Вимк., перш ніж підключати інструмент до джерела електроживлення та/або акумулятора, переміщувати або переносити.** Може статися нещасний випадок, коли ви переносите інструмент, тримаючи палець на вимикачі, або підключаєте живлення до вимикача в позиції Увімк.
- Зніміть усі ключі для регулювання або гайкові ключі, перш ніж вмикати електричний інструмент.** Гайковий ключ, що залишився прикріпленим до якоїсь деталі електричного пристрою, що обертається, може призвести до травм.

- e. **Не прикладайте надмірних зусиль. Завжди утримуйте правильну постановку ніг і рівновагу.** Це дає вам змогу краще контролювати інструмент в неочікуваних ситуаціях.
- f. **Одягайтеся відповідним чином. Не вдягайте вільний одяг або прикраси. Тримайте ваше волосся, одяг та рукавички подалі від рухомих деталей.** Вільний одяг, прикраси або довге волосся можуть зачепитися за рухоми деталі.
- g. **Якщо передбачені пристрої для підключення до засобів виділення та збирання пилу, переконайтеся, що вони правильно підключені та використовуються.** Використання таких пристроїв зменшує ризик виникнення небезпечних ситуацій, що пов'язані з потраплянням пилу.
- h. **Навіть якщо ви добре знаєте інструмент та часто його використовуєте, не розслабляйтесь та не забувайте про принципи техніки безпеки.** Необережні дії можуть за долю секунди призвести до важких тілесних ушкоджень.
4. **Використання електричного інструмента та догляд за ним**
- a. **Не прикладайте надмірних зусиль під час роботи з інструментом. Використовуйте відповідний електричний інструмент для вашого застосування.** Правильно обраний інструмент виконає завдання краще та безпечніше за умов, для яких він був розроблений.
- b. **Не використовуйте інструмент, якщо його неможливо ввімкнути та вимкнути за допомогою вимикача.** Будь-який електричний інструмент, яким неможливо керувати за допомогою вимикача, є небезпечним і має бути відремонтований.
- c. **Якщо вилка знімна, відключіть її від джерела живлення та/або вийміть акумулятор, перш ніж виконувати будь-які налаштування, змінювати додаткове обладнання або зберігати електроінструмент.** Ці профілактичні заходи зменшують ризик випадкового запуску електричного інструмента.
- d. **Зберігайте вимкнені електричні інструменти в недоступному для дітей місці та не дозволяйте особам, що не знайомі з електричним інструментом або цими інструкціями, використовувати електричний інструмент.** Електричні інструменти є небезпечними, якщо вони використовуються некваліфікованими користувачами.
- e. **Технічне обслуговування електричних інструментів та аксесуарів. Перевіряйте несумісність або заїдання рухомих деталей, наявність ушкоджених частин та інших умов, що можуть впливати на роботу електричного інструмента.** Якщо є пошкодження, відремонтуйте електричний інструмент перед використанням. Нещасні випадки часто є результатом того, що інструмент не пройшов відповідного технічного обслуговування.
- f. **Різальні інструменти мають бути гострими та чистими.** Правильно доглянуті різальні інструменти з гострими різальними кромокками мають меншу імовірність заїдання, і ними легше керувати.
- g. **Використовуйте електричний інструмент, додаткові інструменти, різці тощо у відповідності до цих інструкцій та відповідно до даного типу електричних інструментів, зважаючи на умови використання та роботу, яка має бути виконана.** Використання електричних інструментів не за призначенням може призвести до виникнення небезпечних ситуацій.
- h. **Всі ручки та поверхні для тримання інструменту повинні бути сухими та без залишків мастила.** Слизькі ручки та поверхні для тримання не дозволяють безпечно працювати та контролювати інструмент у неочікуваних ситуаціях.
5. **Використання та догляд за акумуляторним інструментом (тільки для акумуляторних інструментів)**
- a. **Заряджайте інструмент лише за допомогою зарядного пристрою, вказаного виробником.** Зарядний пристрій може призвести до пожежі, якщо він використовується не з тим типом акумулятора, для якого призначений.
- b. **Використовуйте електричні інструменти лише з призначеннями для них акумуляторами.** Використання інших акумуляторів може призвести до тілесних ушкоджень або пожежі.
- c. **Коли акумулятори не використовуються, зберігайте їх подалі від металевих предметів, таких як скріпки, монети, ключі, цвяхи, гвинти або інші невеликі предмети, що можуть призвести до замикання двох контактів.** Коротке замикання клем акумулятора може призвести до вибуху або пожежі.
- d. **За невідповідних умов використання рідина може витекти з акумулятора; уникайте контакту з цією рідиною.** Якщо контакт таки стався, промийте забруднену ділянку водою. Якщо рідина потрапила в очі, промийте водою та зверніться до лікаря. Рідина, що витікає з акумулятора, може призвести до подразнень та опіків.
- e. **Не використовуйте пошкоджений або модифікований акумулятор або інструмент.** Пошкоджені або модифіковані акумулятори можуть поводити себе непередбачуваним чином, призводячи до пожежі, вибуху або тілесним ушкодженням.



- f. **Не надавайте акумулятор та інструмент дії вогню та надмірних температур.** Вплив вогню або температури вище 130°C може спричинити вибух. ПРИМІТКА. Температуру «130 °C» можна замінити на температуру «265 °F».
- g. **Виконуйте всі інструкції щодо зарядки; заряджайте акумулятор та інструмент тільки в межах температурного діапазону, вказаного в інструкціях.** Неналежна зарядка або зарядка поза межами вказаного температурного діапазону може пошкодити акумулятор та підвищити ризик пожежі.
6. **Обслуговування**
- a. **Для обслуговування вашого електричного інструменту залучайте кваліфікованих спеціалістів з ремонту та використовуйте тільки ідентичні замінні деталі.** Це забезпечить безпеку електричного пристрою, що обслуговується.
- b. **Ніколи не обслуговуйте пошкоджені акумулятори самостійно.** Обслуговування акумуляторів мають виконувати представники виробника або працівники офіційного сервісного центру (тільки для акумуляторних інструментів).

### Інструкції з техніки безпеки при виконанні будь-яких робіт

- Використовуйте засоби захисту органів слуху при роботі з ударним дрилем. Шум може призвести до втрати слуху.
- Тримайте інструмент за ізольовану поверхню при виконанні операцій, коли ріжучі аксесуари або кріпильні елементи можуть торкнутися схованої проводки. При контакті ріжучих або кріпильних елементів з дротом під напругою може з'явитися напруга в металевих деталях інструменту, що може призвести до ураження оператора електричним струмом.

### Інструкції з техніки безпеки при використанні довгих свердел

- Швидкість роботи з інструментом не повинна перевищувати максимальний індекс швидкості свердла. При роботі на надто високій швидкості свердло може згинатись, якщо обертається вільно, не торкаючись заготовки, і стати причиною травмування.
- Завжди починайте роботу на низькій швидкості та торкайтесь свердлом поверхні заготовки. При роботі на надто високій швидкості свердло може згинатись, якщо обертається вільно, не торкаючись заготовки, і стати причиною травмування.

- Прикладайте тиск тільки по прямій лінії зі свердлом, але не натискайте занадто сильно. Свердла можуть згинатись, призводячи до ушкодження або втрати контролю, що може стати причиною травмування.

### Додаткові попередження з техніки безпеки для дреля/шурупокрута/ударного дреля

- Використовуйте затискач або інший спосіб закріплення заготовки на стабільній платформі. Утримування заготовки в руці та притискання її до тіла робить її нестабільною та може призвести до втрати контролю.
- Насадки й інструмент сильно нагріваються у процесі роботи. Під час роботи надягайте захисні рукавиці, особливо при виконанні операцій, під час яких утворюється тепло, таких як свердління металів.
- Рухомі частини часто приховані вентиляційними отворами; уникайте контакту з ними. Вільний одяг, прикраси або довге волосся може зачепитися за рухомі деталі.
- Використовуйте захисні окуляри або інші засоби захисту очей. Під час використання свердління та свердління з ударом може відлітати стружка. Частинки, що розлітаються, можуть спричинити незворотне пошкодження очей.
- Використовуйте засоби захисту органів слуху при роботі з ударним дрилем. Шум може призвести до втрати слуху.
- Використовуйте додаткову ручку (ручки), якщо вона надається з інструментом. Втрата контролю над інструментом може викликати травми.
- Не використовуйте інструмент тривалий час. Вібрація, спричинена інструментом, може бути шкідливою для ваших рук. Використовуйте рукавиці для захисту та обмежуйте вплив вібрації, роблячи часті перерви.

### Безпека оточення

- Цей пристрій можуть використовувати діти від 8 років та особи зі зменшеними фізичними, сенсорними та розумовими можливостями або з недостатнім досвідом та знаннями, якщо вони отримали керівництво та інструкції щодо використання цього пристрою безпечним чином та зрозуміли можливу небезпеку.
- Не дозволяйте дітям грати з пристроєм. Не дозволяйте дітям очищувати пристрій та виконувати його технічне обслуговування.

### Залишкові ризики

Під час використання інструмента можуть виникнути додаткові залишкові ризики, які не внесені до попереджень щодо техніки безпеки в цьому посібнику. Ці ризики можуть виникнути як результат неправильного використання, тривалого використання тощо.

Незважаючи на виконання всіх відповідних правил техніки безпеки та використання захисних пристроїв, неможливо уникнути деяких залишкових ризиків. Сюди належать:

- Травми через контакт з деталями, що рухаються/обертаються.
- Травми при заміні деталей, пильних полотен або аксесуарів.
- Травми через занадто тривале використання інструменту. Під час використання будь-якого інструменту протягом тривалого періоду часу не забувайте робити регулярні перерви.
- Порушення слуху.
- Небезпека для здоров'я через вдихання пилу, що утворюється при використанні інструмента (наприклад, при роботі з деревом, особливо з дубом, буком та ДВП).

### Вібрація

Значення вібрації, вказані в технічних даних та в декларації про відповідність виміряні з дотриманням стандартних методів тестування, наданих у EN62841, та їх можна використовувати для порівняння одного інструмента з іншим. Задекларовані значення вібрації можна також використовувати для попереднього оцінювання впливу вібрації.



**Увага!** Значення вібрації під час використання інструмента може відрізнятись від задекларованого в залежності від способів використання інструмента. Рівень вібрації може перевищувати вказані значення.

Оцінюючи вплив вібрації для визначення заходів безпеки за вимогами 2002/44/ЕС, щоб захистити людей, які регулярно використовують інструменти в роботі, необхідно враховувати реальні умови та способи використання інструмента, у тому числі всі періоди робочого циклу, наприклад час, коли інструмент вимкнено та коли він працює в режимі холостого ходу, а також час, потрібний для запуску інструмента.

### Написи на інструменті

Наведені нижче символи нанесені на інструмент разом з кодом дати:



**Увага!** Щоб зменшити ризик травм, користувач повинен прочитати посібник з експлуатації.

### Додаткові інструкції з техніки безпеки для батарей та зарядних пристроїв

#### Батареї

- Ніколи не намагайтесь відкрити батарею.
- Не занурюйте батарею у воду.
- Тримайте та експлуатуйте батарею впливу тепла.

- Не зберігайте у місцях, де температура може перевищувати 40 °С.
- Заряджайте лише за температури навколишнього середовища між 10 °С та 40 °С.
- Заряджайте лише за допомогою зарядного пристрою, що надається з інструментом.
- Під час утилізації батарей виконуйте інструкції, наведені в розділі «Захист навколишнього середовища».
- Не пошкоджуйте та не деформуйте батареї шляхом проколу або удару, це може призвести до ризику травми та пожежі.
- Не заряджайте пошкоджені батареї.
- За екстремальних умов можлива розгерметизація батареї. Якщо ви помітите на батареї рідину, витріть її обережно тканиною. Уникайте контакту зі шкірою.
- При потрапленні на шкіру або в очі виконуйте наступні інструкції.



**Увага!** Рідина батареї здатна спричинити тілесне ураження або пошкодження майна. У випадку потраплення на шкіру негайно промийте її водою. У разі виникнення почервоніння, болю чи подразнення зверніться до лікаря. У випадку потраплення на слизову очей негайно промийте великою кількістю чистої води та зверніться по медичну допомогу.

#### Зарядні пристрої

Ваш зарядний пристрій було розроблено для певного значення напруги. Завжди перевіряйте відповідність джерела живлення напрузі, що вказана на табличці з паспортними даними.



**Увага!** Ніколи не намагайтесь замінювати зарядний пристрій звичайним мережним штепселем.

- Використовуйте зарядний пристрій для зарядки батарей лише того інструмента, з яким він був у комплекті. Інші батареї можуть вибухнути, спричинивши травми та пошкодження.
- Ніколи не намагайтесь заряджати батареї, що не підлягають зарядці.
- Якщо силовий кабель пошкоджений, його необхідно замінити у виробника або в офіційному сервісному центрі для уникнення небезпеки.
- Негайно замінійте пошкоджений дріт живлення.
- Уникайте контакту зарядного пристрою з водою.
- Не відкривайте корпус зарядного пристрою.
- Не розбирайте зарядний пристрій.
- Під час зарядки пристрій/інструмент/батарея повинні знаходитись у добре провітрюваному місці.



Зарядний пристрій призначений лише для використання в приміщенні.

### Електрична безпека



Цей пристрій має подвійну ізоляцію, тому заземлення не є необхідним. Завжди перевіряйте відповідність джерела живлення напрузі, яка вказана на табличці з паспортними даними.

Якщо шнур живлення пошкоджений, його необхідно замінити у виробника або в офіційному сервісному центрі компанії STANLEY FAT MAX для уникнення небезпеки.

### Компоненти

Цей пристрій оснащено всіма або кількома з указаних нижче компонентів.

1. Вимикач
2. Селектор реверсу вперед/назад
3. Селектор режимів свердління
4. Обмежувач глибини
5. Тримач насадок
6. Бокова ручка
7. Батарея

### Монтаж

### Використання

**Увага!** Інструмент повинен працювати з рекомендованою швидкістю. Не перевантажуйте його.

#### Заряджання батареї (Без батареї для SFMCH900B, одна батарея для SFMCH900M12, дві батареї для SFMCH900M22) (рис. А)

Необхідно зарядити батарею перед першим використанням, а також коли вона не може забезпечити достатню потужність для виконання завдань, які легко виконувались раніше. Батарея може стати теплою під час зарядки; це нормально та не є показником проблеми.

**Увага!** Не заряджайте батарею за температури навколишнього середовища нижче 10 °C або вище 40 °C. Рекомендована температура зарядки: приблизно 24 °C. Примітка. Зарядний пристрій не заряджає батарею, якщо її температура нижче приблизно 10 °C або вище 40 °C. Батарею потрібно залишити у зарядному пристрої, який автоматично почне її заряджати, коли температура батареї підніметься або зменшиться.

**Примітка.** Щоб забезпечити максимальну продуктивність та тривалість роботи літій-іонного акумулятора, повністю зарядіть його перед першим використанням.

и Підключіть зарядний пристрій (8) до відповідної розетки перед встановленням акумулятора (7).

- ◆ Зелений індикатор зарядки (8a) буде блимати постійно, вказуючи на те, що процес зарядки розпочався.
- ◆ Після завершення зарядки зелений індикатор зарядки (8a) залишається постійно включеним. Це означає, що акумулятор (7) повністю заряджений та може бути вийнятий та використовуватися одразу або залишатися в зарядному (8) пристрої.
- ◆ Не тримайте акумулятори розрядженими більше 1 тижня. Термін служби батареї значно зменшується, якщо вона зберігається у незарядженому стані.

Режими світлодіода зарядного пристрою

|   |   |  |
|---|---|--|
|  | <b>Заряджається:</b><br>Зелений світлодіод блимає   |  |
|  | <b>Повністю заряджений:</b><br>Зелений світлодіод постійно горить   |  |
|  | <b>Затримка через надмірно високу/низьку температуру батареї:</b><br>Зелений світлодіод блимає<br>Червоний світлодіод постійно горить |  |

**Примітка.** Навіть сумісний зарядний пристрій не буде заряджати несправний акумулятор. Зарядний пристрій розпізнає несправну акумуляторну батарею та не ввімкне світловий індикатор.

**Примітка.** Це також може свідчити про проблему з зарядним пристроєм. Якщо виявлено проблему із зарядним пристроєм, віднесіть зарядний пристрій та акумулятор для перевірки в авторизований сервісний центр.

#### Залишення батареї в зарядному пристрої

Батареї можна залишити в зарядному пристрої на необмежений час з індикатором, який працює. Зарядний пристрій буде підтримувати акумуляторну батарею у повністю зарядженому стані.

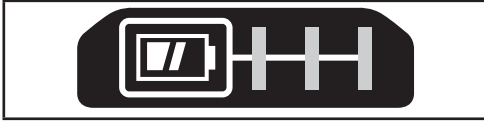
#### Затримка через надмірно високу/низьку температуру батареї

Якщо зарядний пристрій визначас, що батарея є занадто гарячою або занадто холодною, він автоматично вмикає режим температурної затримки, зелений світлодіодний індикатор (8a) буде періодично блимати, а червоний світлодіодний індикатор (8b) буде постійно горіти, припиняючи процес зарядки, доки батарея не досягне

відповідної температури. Зарядний пристрій автоматично перемикається в режим зарядки батареї. Ця функція забезпечує максимальний термін служби батареї.

### Індикатор стану зарядки акумулятора (рис. В)

Акумулятор містить індикатор стану зарядки для швидкого визначення заряду батареї, як показано на рисунку В. Натиснувши кнопку стану зарядки (7а), можна легко переглянути, скільки заряду залишилося в акумуляторі, як показано на рисунку В.



### Встановлення акумулятора в інструмент та його виймання з інструмента

**Увага!** Перед встановленням та зніманням батареї переконайтеся, що інструмент заблокований, щоб уникнути його випадкового запуску.

### Встановлення батареї (Без батареї для SFMCH900B, одна батарея для SFMCH900M12, дві батареї для SFMCH900M22) (рис. С)

- ◆ Вставте акумулятор в інструмент до упору, щоб почути звук клацання, як показано на рисунку С.
- ◆ Переконайтеся, що акумулятор повністю вставлений і зафіксований в цьому положенні.

### Виймання акумуляторної батареї (рис. D)

- ◆ Натисніть кнопку вивільнення батареї (7b), як показано на рисунку D, та витягніть її з пристрою.

### Установлення бокової ручки (рис. Е)

- ◆ Поверніть затискач проти годинникової стрілки так, щоб бокова ручка (6) встала в передню частину інструмента, як показано на рисунку.
- ◆ Поверніть бокову ручку у необхідну позицію.
- ◆ Затягніть бокову ручку, повернувши затискач за годинниковою стрілкою.

### Встановлення та налаштування обмежувача глибини (рис. Е)

- ◆ Натисніть кнопку (6b).
- ◆ Встановіть обмежувач глибини (4) в монтажний отвір (6а), як показано на рисунку.
- ◆ Встановіть обмежувач глибини (4) на необхідну позицію. Максимальна глибина свердління дорівнює відстані між кінцем свердла та переднім краєм обмежувача глибини.
- ◆ Відпустіть кнопку (6b).

### Встановлення насадки (рис. F)

- ◆ Очистіть та змастіть хвостовик (9) приладдя.
- ◆ Відтягніть назад муфту (5а) і вставте хвостовик у тримач приладдя (5).
- ◆ Натисніть на приладдя вниз та трохи проверніть його так, щоб воно увійшло в отвір.
- ◆ Потягніть за приладдя щоб переконатися, що воно добре закріплене. Функція удару вимагає, щоб приладдя рухалось по осі на кілька сантиметрів після того, як воно заблоковане в тримачі інструмента.
- ◆ Щоб зняти приладдя, відтягніть муфту назад (5а) і витягніть приладдя.

**Увага!** Перед свердлінням стін, підлоги та стелі переконайтеся, що в цьому місці відсутні електрична проводка та труби.

**Увага!** Не використовуйте насадку-долото, коли на інструменті встановлено режим свердління.

### Вибір режиму роботи (рис. G)

Цей інструмент можна використовувати в трьох режимах роботи.

- ◆ Щоб повернути селектор режиму роботи (3), натисніть кнопку розблокування.
- ◆ Поверніть селектор вибору в необхідне положення, як показано символами.

### Рух вперед/назад (рис. H)

- ◆ Перемістіть селектор (2), щоб вказати потрібний напрямок.

### Увімкнення та вимкнення (рис. I)

- ◆ Для увімкнення інструменту натисніть перемикач Увімк./Вимк. (1).
- ◆ Щоб вимкнути інструмент, відпустіть перемикач вперед/назад.

Тримайте інструмент, як показано на рис. J.

### Свердління


- ◆ Для свердління в сталі, дереві та пластику та для використання у якості викрутки встановіть селектор вибору режиму (3) в положення в положення.

### Ударне свердління

- ◆ Для свердління з ударом кладки або бетону встановіть селектор вибору режиму (3) в положення Під час ударної дії інструмент не повинен відстрибувати, а має працювати плавно. Збільште швидкість, якщо це необхідно.

### Свердління з ударом

- ◆ Для свердління з ударом з блокуванням шпинделя,

легкого довбання та відколювання, установіть селектор режиму роботи (3) в положення .

- ◆ Переходячи з режиму ударної дії до режиму довбання, поверніть долото в потрібне положення. Якщо під час зміни режиму відчувається опір, поверніть долото, щоб воно контактувало з фіксатором шпинделя.

## Приладдя

Продуктивність роботи інструмента залежить від приладдя, яке ви використовуєте. Витратні матеріали виробництва компанії STANLEY FAT MAX розроблені з дотриманням високих стандартів якості та створені для підвищення ефективності використання вашого інструмента. Використовуючи це обладнання, ви отримаєте максимум ефективності від вашого інструменту. **Увага!** Через те, що інші аксесуари, що не рекомендовані компанією STANLEY FATMAX, не були перевірені з цим продуктом, використання таких аксесуарів з цим інструментом може бути небезпечним. Щоб зменшити ризик отримання травм, з цим виробом слід використовувати тільки аксесуари, рекомендовані компанією STANLEY FATMAX.

## Технічне обслуговування

Ваш пристрій виробництва компанії STANLEY FAT MAX для роботи протягом довгого часу з мінімальним обслуговуванням. Тривала задовільна робота приладу залежить від належного обслуговування приладу та регулярного його очищення.

**Увага!** Перед виконанням будь-якого технічного обслуговування інструмента зі шнуром живлення або без нього виконайте такі дії.

- ◆ Вимкніть інструмент та відключіть його від мережі живлення.
- ◆ Регулярно очищуйте вентиляційні отвори пристрою/інструмента/зарядного пристрою за допомогою м'якої щітки або сухої ганчірки.
- ◆ Регулярно очищайте корпус двигуна вологою ганчіркою. Не використовуйте абразивні очищувачі та засоби, що містять розчинники.
- ◆ Регулярно відкривайте затискний патрон та струшуйте його, щоб видалити пил з середини (якщо патрон наявний).

## Заміна шнура живлення (тільки для Великої Британії та Ірландії)

Якщо потрібно встановити нову вилку живлення:

- ◆ Зніміть стару вилку та утилізуйте її, дотримуючись правил техніки безпеки.
- ◆ Приєднайте коричневий провідник до активного виходу нової вилки.

- ◆ Приєднайте блакитний провідник до нейтрального виходу.

**Увага!** Жоден провід не повинен бути підключений до клеми заземлення. Дотримуйтеся інструкцій щодо встановлення, які постачаються з якісними вилками.

Плавкий запобіжник, що рекомендується: 5 А.

## Захист навколишнього середовища



Роздільний збір. Пристрої та батареї, позначені цим символом, не можна викидати зі звичайним побутовим сміттям.

Пристрої та батареї містять матеріали, які можна відновити та переробити, що зменшить потребу у сировині. Будь ласка, віддавайте електричні інструменти та батареї на переробку відповідно до місцевих постанов. Більш детальну інформацію можна отримати на сайті [www.2helpU.com](http://www.2helpU.com)

## Технічні характеристики

|  |                   | SFMCB900M12 | SFMCB900M22 | SFMCB900B* |
|--|-------------------|-------------|-------------|------------|
| Вхідна напруга                         | $V_{DC}$          | 18          | 18          | 18         |
| Швидкість без навантаження             | хв. <sup>-1</sup> | 0-1500      | 0-1500      | 0-1500     |
| Ударів за хв. без навантаження         | уд/хв             | 0-5500      | 0-5500      | 0-5500     |
| Одиниця ударної енергії (EPTA 05/2009) | J                 | 2,0         | 2,0         | 2,0        |
| Маса                                   | кг                | 2,9         | 2,9         | 2,3        |
| Максимальна глибина свердління         |                   |             |             |            |
| Бетон                                  | мм                | 22          | 22          | 22         |
| Сталь                                  | мм                | 13          | 13          | 13         |
| Деревина                               | мм                | 30          | 30          | 30         |

|         |                         | SFMCB201     | SB202 / SFMCB202 | SB204 / SFMCB204 | SB206 / SFMCB206 |
|---------|-------------------------|--------------|------------------|------------------|------------------|
| Напруга | $V_{\text{дод. струм}}$ | 18           | 18               | 18               | 18               |
| Ємність | Ам-пер-го-дин           | 1,5          | 2,0              | 4,0              | 6,0              |
| Тип     |                         | Літій-і-онна | Літій-і-онна     | Літій-і-онна     | Літій-і-онна     |

|                 |                         | SFMCB11 | SC200 / SFMCB12 | SFMCB14 |
|-----------------|-------------------------|---------|-----------------|---------|
| Вхідна напруга  | $V_{\text{дод. струм}}$ | 230     | 230             | 230     |
| Вихідна напруга | $V_{\text{дод. струм}}$ | 18      | 18              | 18      |
| Струм           | A                       | 1,25    | 2               | 4       |

**\*Батарея або зарядний пристрій не входить до комплекту поставки приладу SFMCH900B.**

|   |
|---|
| <b>Рівень звукового тиску згідно з EN 62841:</b>  |
| Режим ударного свердління Рівень звукового тиску ( $L_{pA}$ ) 81,9 дБ(A), похибка (К) 3 дБ(A) Режим довбання Рівень звукового тиску ( $L_{pA}$ ) 83,6 дБ(A), похибка (К) 3,3 дБ(A)          |
| Режим ударного свердління Рівень звукової потужності ( $L_{WA}$ ) 92,9 дБ(A), похибка (К) 3. дБ(A) Режим довбання Рівень звукової потужності ( $L_{WA}$ ) 94,4 дБ(A), похибка (К) 3,3 дБ(A) |
| <b>Загальні значення вібрації (векторна сума трьох векторів) згідно з EN 62841:</b>   |
| Ударне свердління бетону ( $a_{h, HD}$ ) 13,1 $m/s^2$ , похибка (К) 1,5 $m/s^2$   |
| Довбання ( $a_{h, Sreq}$ ) 10,6 $m/s^2$ , похибка (К) 1,5 $m/s^2$   |
| Свердління металу ( $a_{h, D}$ ) <2,5 $m/s^2$ , похибка (К) 1,5 $m/s^2$   |
| Викрутка ( $a_{h, T}$ ) <2,5 $m/s^2$ , похибка (К) 1,5 $m/s^2$  |

**Декларація про відповідність нормам ЄС**  
ДИРЕКТИВА ДЛЯ МЕХАНІЧНОГО ОБЛАДНАННЯ



**SFMCH900** Перфоратор

Компанія STANLEY FAT MAX заявляє, що продукти, описані у розділі «Технічні дані» відповідають вимогам: EN62841-1:2015, EN62841-2-1:2014.

Ці продукти також відповідають Директиві 2006/42/ЕС, 2014/30/EU і 2011/65/EU. Для отримання додаткової інформації, будь ласка, зверніться до компанії STANLEY FAT MAX за наведеною нижче адресою або прочитайте інформацію на зворотному боці цього посібника.

Особа, яка підписалася нижче, несе відповідальність за упорядкування файлу технічних характеристик та робить цю заяву від компанії STANLEY FAT MAX .

Ед Хігінс  
Директор з побутових електроінструментів  
Технічний директор  
Stanley Europe, Egide Walschaertsstraat14-18,  
2800 Мехелен, Бельгія  
В ОЧІКУВАННІ

**Гарантія**

Компанія STANLEY FAT MAX впевнена у якості своєї продукції та пропонує споживачам 12-місячну гарантію від дати придбання пристрою. Ця гарантія доповнює і жодним чином не обмежує ваші законні права. Ця гарантія є чинною на території країн-членів Європейського Союзу та в європейській зоні вільної торгівлі.

Позив за гарантією повинен відповідати умовам компанії STANLEY FAT MAX, при цьому вам необхідно буде надати доказ покупки продавцю або спеціалісту офіційного сервісного центру.

Умови 1-річної гарантії компанії STANLEY FAT MAX та місцезнаходження найближчого сервісного центру можна дізнатися в інтернеті на сайті [www.2helpU.com](http://www.2helpU.com) або звернутися до місцевого представництва компанії STANLEY FAT MAX за адресою, вказаною у цьому керівництві.

Будь ласка, відвідайте наш сайт [www.stanley.eu/3](http://www.stanley.eu/3), щоб зареєструвати свій новий продукт STANLEY FAT MAX та отримувати інформацію про нові продукти та спеціальні пропозиції.



Виробник:  
"Stanley Black & Decker Deutschland GmbH" Black-&-Decker Str.40, D-65510  
Idstein, Німеччина

**STANLEY**  
**FATMAX**

ГАРАНТІЙНИЙ ТАЛОН

**3 РОКИ**  
**ГАРАНТІЇ**

- Вітаємо Вас з покупкою високоякісного виробу Stanley FATMAX і висловлюємо вдячність за Ваш вибір.
- При покупці виробу вимагайте перевірки його комплектності і справності у Вашій присутності, інструкцію з експлуатації та заповнений гарантійний талон українською мовою. В гарантійному талоні повинні бути внесені: модель, дата продажу, серійний номер, дата виробництва інструменту; назва, печатка і підпис торгової організації. За відсутності у Вас правильно заповненого гарантійного талону, а також при невідповідності зазначених у ньому даних ми будемо змушені відхилити Ваші претензії щодо якості даного виробу.
- Щоб уникнути непорозуміння, переконливо просимо Вас перед початком роботи з виробом уважно ознайомитися з інструкцією з його експлуатації. Правовою основою справжніх гарантійних умов є чинне Законодавство. Гарантійний термін на даний виріб складає 36 місяці і обчислюється з дня продажу. У разі усунення недоліків виробу, гарантійний строк продовжується на період його перебування в ремонті. Термін служби виробу становить 5 років з дня продажу.
- У разі виникнення будь-яких проблем у процесі експлуатації виробу рекомендуємо Вам звертатися тільки в уповноважені сервісні центри Stanley FATMAX, адреси та телефони яких Ви зможете знайти в гарантійному талоні, на сайті [www.2helpU.com](http://www.2helpU.com) або дізнатися в магазині. Наші сервісні станції - це не тільки кваліфікований ремонт, але і широкий асортимент запчастин і аксесуарів.
- Виробник рекомендує проводити періодичну перевірку і технічне обслуговування виробу в уповноважених сервісних центрах.
- Наші гарантійні зобов'язання поширюються тільки на несправності, виявлені протягом гарантійного терміну і викликані дефектами виробництва та \ або матеріалів.
- Гарантійні умови не поширюються на несправності виробу, що виникли в результаті:
  - Недотримання користувачем приписів інструкції з експлуатації виробу, застосування виробу не за призначенням, неправильного зберігання, використання приладдя, витратних матеріалів і запчастин, що не передбачені виробником.
  - Механічного пошкодження (відколю, тріщини і руйнування) внутрішніх і зовнішніх деталей виробу, основних і допоміжних рукояток, мережевого кабелю, що викликані зовнішнім ударним або будь-яким іншим впливом
  - Потраплення у вентиляційні отвори та проникнення всередину виробу сторонніх предметів, матеріалів або речовин, що не є відходами, які супроводжують застосування виробу за призначенням, такими як: стружка, тирса, пісок, та ін.
  - Впливу на виріб несприятливих атмосферних і інших зовнішніх факторів, таких як дощ, сніг, підвищена вологість, нагрівання, агресивні середовища, невідповідність параметрів електромережі, що зазначені на інструменті.
  - Стихійного лиха. Пошкодження або втрати виробу, що пов'язані з непередбаченими лихами, стихійними явищами, у тому числі внаслідок дії непереборної сили (пожежа, блискавка, потоп і інші природні явища), а також внаслідок перепадів напруги в електромережі та іншими причинами, які знаходяться поза контролем виробника.
- Гарантійні умови не поширюються:
  - На інструменти, що піддавались розкриттю, ремонту або модифікації поза уповноваженим сервісним центром.
  - На деталі, вузли та матеріали, що мають сліди природного зносу, такі як: приводні реміні і колеса, вугільні щітки, мастило, підшипники, зубчасті зчеплення редукторів, гумові ущільнення, сальники, направляючі ролики, муфти, вимикачі, бойки, штовхачі, стволи тощо.
  - На змінні частини: патрони, цанги, затискні гайки і фланці, фільтри, ножі, шліфувальні підшови, ланцюги, зірочки, пильні шини, захисні кошуки, пилки, абразиви, пильні і абразивні диски, фрези, свердла, бури тощо
  - На несправності, що виникли в результаті перевантаження інструменту (як механічного, так і електричного), що спричинили вихід з ладу одночасно двох і більше деталей і вузлів, таких як: ротора і статора, обох обмоток статора, веденої і ведучої шестерні редуктора або інших вузлів і деталей. До безумовних ознак перевантаження виробу відносяться, крім інших: поява кольорів мільниці, деформація або оплавлення деталей і вузлів виробу, потемніння або обуглювання ізоляції проводів електроприводу під впливом високої температури.

Товар отриманий в справному стані, без видимих ушкоджень, в повній комплектації, перевірений у моїй присутності, претензій щодо якості товару не маю. З умовами гарантійного обслуговування ознайомлений і згоден.

П. І. Б. та підпис власника \_\_\_\_\_

**Шановні клієнти, наша мережа авторизованих сервісних центрів постійно розширюється. Актуальну інформацію про обслуговування в місті, що цікавить вас, ви можете дізнатися на сайті**

**[www.2helpU.com](http://www.2helpU.com)**

Редакція ВК/12-12-2018

Інформація про інструмент

|                          |  |
|--------------------------|--|
| Найменування інструменту |  |
| Модель                   |  |
| Найменування продавця    |  |
| Дата продажу             |  |

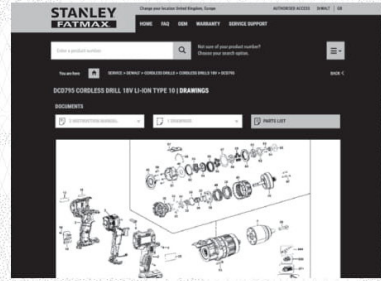
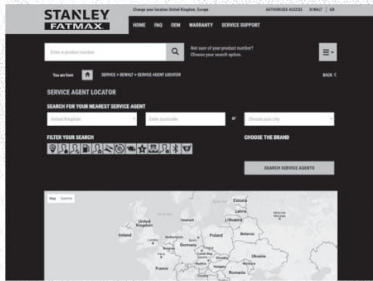
М.П.  
Продавця

Серійний номер/Дата виробництва

|                   |  |
|-------------------|--|
| Інструмент        |  |
| Зарядний пристрій |  |
| Акумулятор 1      |  |
| Акумулятор 2      |  |

На сайті [www.2helpU.com](http://www.2helpU.com) доступні наступні функції:

- Список авторизованих сервісних центрів
- Зручний пошук найближчого сервісного центру
- Керівництво з експлуатації
- Технічні характеристики
- Список деталей і запасних частин
- Схема складання інструменту



Також дану інформацію ви можете отримати, зателефонувавши за номером:  
**0 (800) 211 521 в Україні**

ВІДІТКА ПРО ПРОВЕДЕННЯ СЕРВІСНОГО ОБСЛУГОВУВАННЯ

| №1                                 | №2                                 | №3                                 | №4                                 |
|------------------------------------|------------------------------------|------------------------------------|------------------------------------|
| № замовлення                       | № замовлення                       | № замовлення                       | № замовлення                       |
| Дата прийому                       | Дата прийому                       | Дата прийому                       | Дата прийому                       |
| Дата ремонту                       | Дата ремонту                       | Дата ремонту                       | Дата ремонту                       |
| Печатка і підпис сервісного центру | Печатка і підпис сервісного центру | Печатка і підпис сервісного центру | Печатка і підпис сервісного центру |









