

INSTRUCTION MANUAL  
GUIDE D'UTILISATION

دليل الإستعمال

คู่มือการใช้งาน

MANUAL PETUNJUK

사용 설명서

# DEWALT®

DW806, DW813, DW823

ANGLE GRINDERS

MACHINE A MEULER A ANGLE

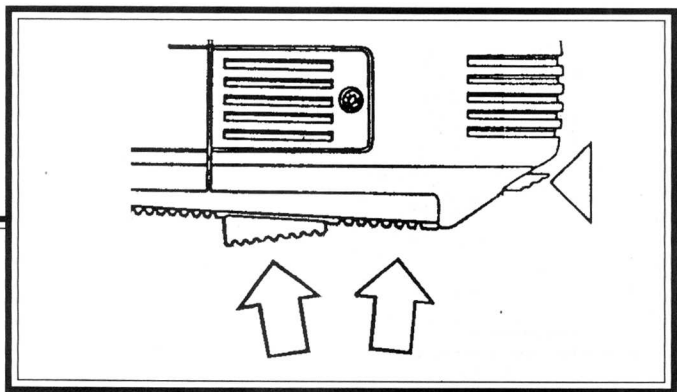
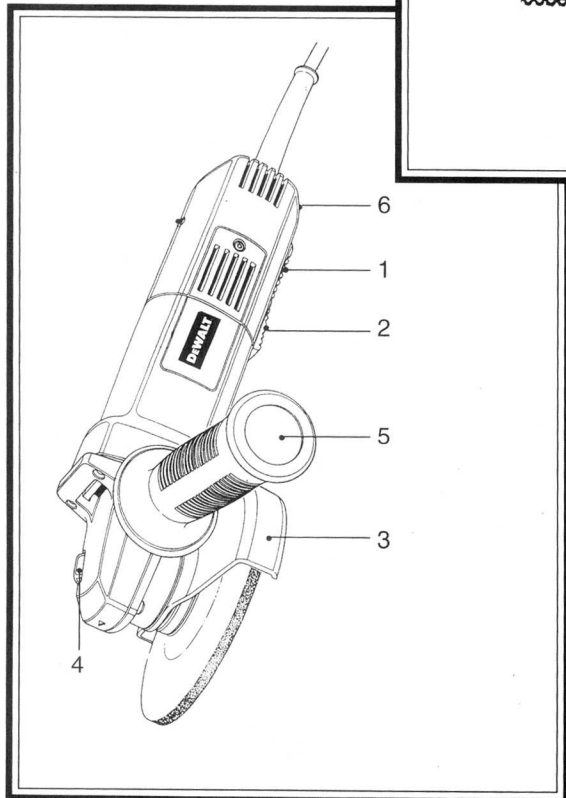
مجلخنة زاوية

เครื่องขัด/เครื่องเจียร

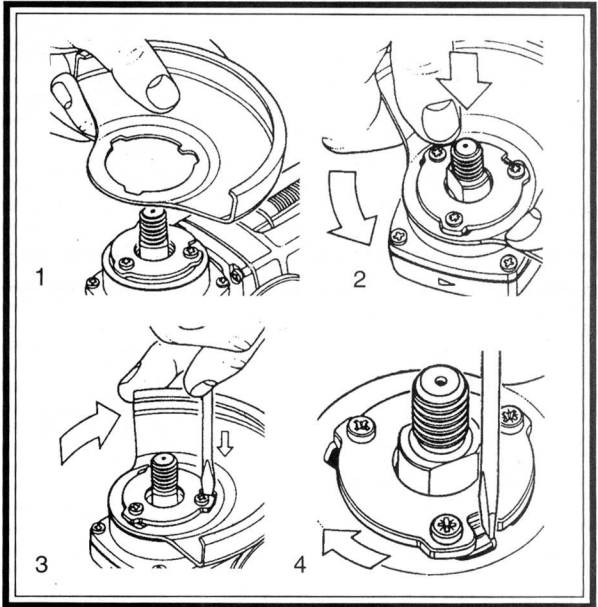
GURINDA SUDUT

앵글 그라인더



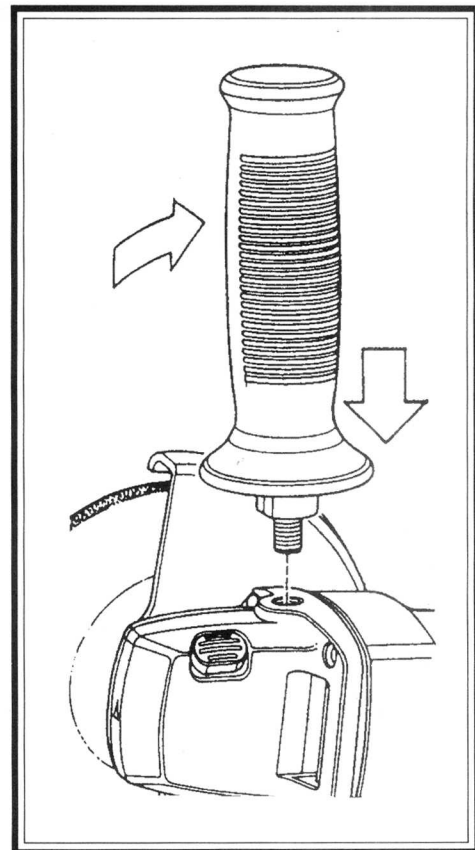
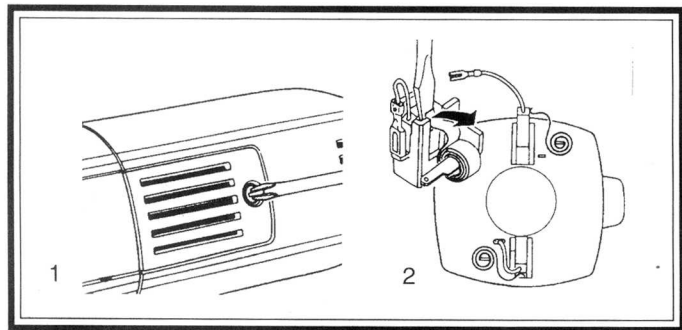
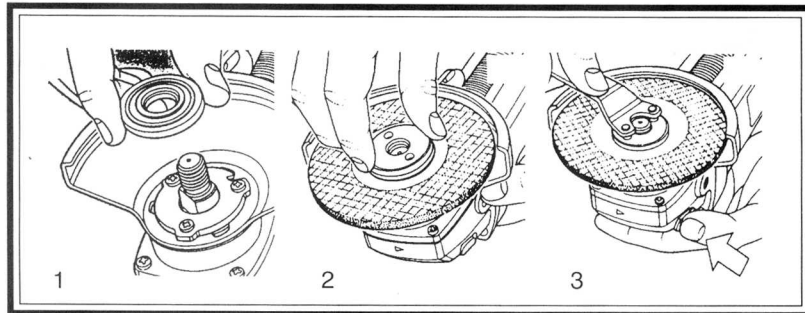
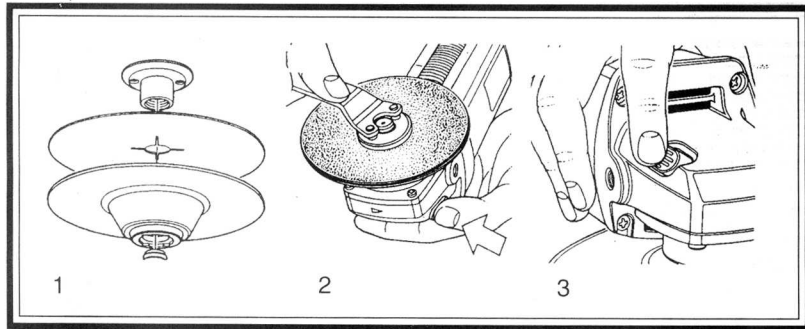


**B**



**C**

**A**





## Safety Instructions

When using power tools, always observe the safety regulations applicable in your country to reduce the risk of fire, electric shock and personal injury. Read the following safety instructions before attempting to operate this product. Keep these instructions in a safe place!

### General

- 1 **Keep work area clean.** Cluttered areas and benches can cause accidents.
- 2 **Consider work area environment.** Do not expose power tools to high humidity or rain. Keep work area well lit. Do not use power tools in the presence of flammable liquids or gases.
- 3 **Guard against electric shock.** Prevent body contact with earthed surfaces (e.g. pipes, radiators, cookers and refrigerators).
- 4 **Keep children away.** Do not let children come into contact with the tool or extension cord. Keep all people away from the work area.
- 5 **Extension cords for outdoor use.** When the tool is used outdoors, always use extension cords intended for outdoor use and mark accordingly.
- 6 **Store idle tools.** When not in use, power tools must be stored in a dry place and locked up securely, out of reach of children.
- 7 **Dress properly.** Do not wear loose clothing or jewelry. They can be caught in moving parts. Preferably wear rubber gloves and non-slip footwear when working outdoors. Wear protective hair covering to keep long hair out of the way.
- 8 **Wear safety goggles.** Also use a face or dust mask in case the operations produce dust or flying particles.
- 9 **Be aware of maximum sound pressure.** Take appropriate measures for the protection of hearing if the sound pressure of 85dB(A) is exceeded.
- 10 **Secure workpiece.** Use clamps or a vice to hold the workpiece. It is safer and it frees both hands to operate the tool.
- 11 **Do not overreach.** Keep proper footing and balance at all times.
- 12 **Avoid unintentional starting.** Do not carry the plugged-in tool with a finger on the switch. Be sure that the switch is released when plugging in.
- 13 **Stay alert.** Watch what you are doing. Use common sense. Do not operate the tool when you are tired.
- 14 **Disconnect tool.** Shut off power and wait for the tool to come to a complete standstill before leaving it unattended. Unplug the tool when not in use, before servicing or changing accessories.
- 15 **Remove adjusting keys and wrenches.** Always check that adjusting keys and wrenches are removed from the tool before operating the tool.
- 16 **Use appropriate tool.** Do not force small tools or attachments to do the job of a heavy-duty tool. The tool will do the job better and safer at the rate for which it is intended. The use of any accessories or attachments other than the ones recommended in this instruction manual may induce a risk of personal injury.
- 17 **Do not abuse cord.** Never carry the tool by its cord or pull it to disconnect from the socket. Keep the cord away from heat, oil and sharp edges.
- 18 **Maintain tools with care.** Keep tools in good condition and clean for better and safer performance. Follow the instructions for maintenance and changing accessories. Inspect tool cords at regular intervals and, if damaged, have them repaired by an authorised DeWALT Repair Agent. Inspect extension cords periodically and replace them if damaged. Keep all controls dry, clean and free from oil and grease.
- 19 **Check damaged parts.** Before using the tool, carefully check it for damage to ensure it will operate properly and perform its intended function. Check for misalignment and seizure of moving parts, breakage of parts and any other conditions that may affect its operation. Have damaged guards or other defective parts repaired or replaced as instructed. Do not use the tool if the switch is defective. Have the switch replaced by an authorised DeWALT Repair Centre.
- 20 **Have your tool repaired by an authorised DeWALT Repair Centre.** This power tool is in accordance with the relevant safety regulations. To avoid danger, electric appliances must only be repaired by qualified technicians.

## ANGLE GRINDERS DW806 / DW813 / DW823

### Package Contents

The package contains:

- 1 Angle grinder
- 1 Side handle
- 1 Grinding wheel
- 1 Instruction manual
- 1 Exploded drawing
- 1 Guarantee Card
- Check for damage to the tool, parts or accessories which may have occurred during transport.
- Take the time to thoroughly read and understand this manual prior to operation.

### Description (FIG. A)

1. ON/OFF switch
2. Lock-OFF button
3. Guard
4. Spindle lock
5. Side handle
6. Lock-ON button

The following symbols are used throughout this manual:



Denotes risk of personal injury, loss in life or damage to the tool in case of non-observance of the instructions in this manual.



Denotes risk of electric shock.



Take appropriate measures for the protection of hearing if the sound pressure of 85 dB(A) is exceeded.

### Electrical Safety

The electric motor has been designed for one voltage only. Always check that the power supply corresponds to the voltage on the rating plate. Your DeWALT tool is double insulated, therefore no earth wire is required.



If the supply cord of this equipment is damaged, it must only be replaced by a repair shop appointed by the manufacturer, because special purpose tools are required.



### Extension Cords

Use only extension cords that are approved by the country's Electrical Authority. Before using an extension cord. Inspect it for loose or exposed wires, damaged insulation, and defective fittings.

Replace the cord if necessary.

Consistent with our continuing product development, improvements may have been made which render the contents of this instruction Manual slightly.

### Safety Rules For Grinders

1. Always wear goggles or other eye protection when using this tool.
2. When grinding, always keep guard in place.
3. Use only grinding wheels having a maximum operating speed at least as "NO LOAD RPM" marked on the tool's nameplate. This precaution also applies to any accessories on any tool.
4. Before using, inspect recommended accessory for crack or flaws. If such a crack or flaws evident - discard the wheel! The wheel should also be inspected whenever you think the tool may have been dropped.
5. When starting the tool (with a new or replacement wheel installed) hold the tool in a well protected area and let it run for one minute. If the wheel has an undetected crack or flaw, it should burst in less than one minute. Never start the tool with a person in line with the wheel. This includes the operator.
6. In operation, avoid bouncing the wheel or giving it rough treatment. If this occurs, stop the tool and inspect the wheel.
7. Always use guard with depressed-centre or flaring cup grinding wheels.
8. Clean your tool our periodically following the procedure in the maintenance section.



- Do not use any accessories or parts which have not been recommended for use with the tool.
- Make sure the maximum recommended speed for each accessory used exceeds the operating speed on the tool nameplate.
- Accessories must be fitted and used in accordance with the “Abrasive wheels regulations”

### **Starting The Tool (FIG. B)**

- To start the tool press the lock-OFF switch then press the ON/OFF switch.
- To stop the tool, release pressure on the ON/OFF switch.

### **Continuous running**

- For continuous running, move the lock-ON button in the direction of the arrow after pressing the ON/OFF switch, and then release pressure on the ON/OFF switch. To stop the tool, press and then release the ON/OFF switch.

### **Fitting And Removing The Guard (FIG. C)**

The guard is not required when using the tool for sanding with the backing pad. To fit the guard for other applications, proceed as follows:

- Align the lug on the guard with the slot in the bracket fixed to the base of the gear case (Fig.C1).
- Press the guard down towards the gear case, and then rotate the guard in the direction of the arrow (Fig.C2).
- In this position the guard locking pin located in the slot prevents the guard from coming loose, whilst allowing rotation through 105°.

To remove the guard, proceed as follows:

- Place the tool upside down on a flat surface.
- Hold the tool in your hand and rotate the guard in the direction of the arrow with your thumb (Fig.C3). At the same time, using a screwdriver or other pointed instrument, press the locking pin in the slot so that the lug on the guard comes into view (Fig.C4).
- The guard, no longer held by the locking pin, is then pushed free by thumb pressure.



Important! Mounting and removal of the guard must only be carried out with the mains plug removed from the mains supply. Use of the tool without the guard fitted is only permitted when sanding with the rubber backing pad.

### **Fitting A Rubber Backing Pad (FIG. D)**

The rubber backing pad is available as an optional accessory (in most countries). To fit the pad proceed as follows:

- Disconnect the plug at the mains.
- Remove the guard from the tool.
- Insert the backing pad onto the machine spindle (Fig.D1). The inner driven flange in Fig.E is not needed.
- Position the abrasive disc on the pad.
- Screw the outer flange with the two grip holes, together with the pad fitted, onto the machine spindle (Fig.D2)
- Rotate the pad while at the same time pressing the spindle lock on the front of the gear case until it has found its locking location and holds the spindle still (Fig. D3).
- With your finger firmly on the spindle lock, tighten the outer flange with the pin spanner supplied.
- Release the spindle lock. Plug the tool into the mains and start work.
- To remove the backing pad follow the above instructions in reverse order.



Important! When using the tool for sanding allow only a segment of the disc to contact the work and refrain from high pressure application.

### **Mounting Grinding Wheels/Cutting Discs (FIG. E)**

The grinding wheels and cutting disc are available as optional accessories (in most countries). To fit a grinding wheel/disc, proceed as follows:

- Disconnect the plug at the mains.
- Locate the inner driven flange on the drive flats on the machine spindle (Fig.E1).
- Locate the wheel or disc against the flange.
- Screw the threaded flange onto the spindle (Fig.E2).
- Rotate the grinding wheel/disc, while at the same time pressing the spindle lock (on the front of the gear case) fully, until it has found its locking location and holds the spindle still.

- Then firmly tighten the threaded flange with the two-pin spanner supplied (Fig.E3).
- Release the button. Plug the tool into the mains and start work.



### Important!

For grinding: When using a depressed center disc, use the machine at an angle of approximately 30° to the work for roughing, and approximately 15° for finishing.

For cutting-off: When using a flat cutting-off wheel, always approach the workpiece at the angle at which the cut is to be made. Maintain this angle throughout the cut and do not exert side pressure on the wheel.

## Fitting Wire Cup Brushes

The wire cup brush screws directly on the spindle of the machine without the use of the flanges.

## Side-Handle (FIG. F)

The side-handle for your angle grinder can be fitted to either side of the gear case.

## Cut-Off Brushes

Should the brushes become completely worn, they will automatically shut off, thus eliminating damage to the internal parts of the tool.

## Replacing Brushes (FIG. G)

- Disconnect the plug at the mains.
- Completely unscrew the two screws and remove the two housing sections (Fig.G1)
- Next raise the end of the spring and slide the brush out from the brush holder, easing the connector from its terminal (Fig.G2).
- Check the length of the brush and if under 6mm replace. Worn brushes should be replaced in the same holder and position as removed.

- Insert the existing brush or a new brush, secure the connector, reposition the spring and then check the other brush. When brushes need replacement always renew both brushes, even if one is still more than 6mm long.
- Replace the two housing sections. Make sure the internal wiring is not trapped or damaged and check that the connector cable retention ring is correctly positioned.
- Resecure the two screws tightly. Plug in the connector as described above. Check the tool is working and, before use, allow it to run for a few minutes to allow the brushes to settle.

## Tool Care

Keep guards, air vents and motor housing as clear as possible of dust and dirt by wiping with a clean cloth and blowing through with air. Excessive build up of metal dust oil could lead to tracking of electrical current from internal parts to exposed metal parts.

Overloading will result in a considerable reduction in speed and efficiency and the unit will become hot, in this event, run the machine at no load for a minute or two until cooled to normal working temperature by the built in fan. Switching your machine on and off whilst under load will considerably reduce the life of the switch.



### Lubrication

Your power tool requires no additional lubrication.



### Cleaning

Keep the ventilation slots clear and regularly clean the housing with a soft cloth.

## ***DeWALT After-Sales Service***

All DeWALT Power Tools are thoroughly tested before leaving the factory. However, if the Power Tool needs repair, please contact your dealer or take it to your nearest DeWALT Service Centre.

## ***Guarantee***

### **Full One Year Warranty**

DeWALT heavy duty industrial tools are warranted for one year from date of purchase. We will repair, without charge, any defects due to faulty materials or workmanship. Arrangements have been made with the Industrial Tool Division of Black & Decker to provide warranty repairs for DeWALT tools. Please return the complete unit, transportation prepaid, to any DeWALT Service Centre, Black & Decker Service Centre or any authorised service station. This warranty does not apply to:

- Accessories
- Damage caused where repairs have been made or attempted by others
- Damage due to misuse, neglect, wear and tear, alteration or modification.

### **Free One Year Service Contract**

In addition to a full one year warranty, every DeWALT tool is backed with a Free One Year Service Contract. We will provide free labour on all repair and preventive maintenance during the first year after purchase. Proof of purchase date is required.

### **30 Day No Risk Satisfaction Guarantee**

If you are not completely satisfied with the performance of your DeWALT heavy duty industrial tool, simply return it to the participating seller within 30 days. Proof of purchase date is required.

## ***Unwanted Tools And The Environment***

Take your old tool to an authorized DeWALT Repair Agent where it will be disposed off in an environmentally safe way.

## Instructions de sécurité

Lors de l'utilisation d'outils électriques, il y a impérativement lieu de prendre les mesures de protection de base en vigueur dans votre pays contre les risques d'électrocution, de blessure et d'incendie. Veuillez lire attentivement ces instructions de sécurité avant d'utiliser ce produit. Conservez soigneusement ces instructions de sécurité!

### Généralités:

- Gardez votre aire de travail en ordre.** Ateliers et établis encombrés invitent les accidents.
- Recherchez un environnement adéquat au travail.** N'exposez pas d'outils électriques à la pluie ou à l'humidité. Eclairage bien votre aire de travail. N'utilisez pas vos outils en présence de liquides ou de gaz inflammables.
- Prenez garde aux chocs électriques.** Ne mettez pas votre corps en contact avec des objets mis à la terre (p.ex. tuyaux, radiateurs, cuisinières et réfrigérateurs).
- Eloignez les enfants.** Ne laissez pas d'autres personnes toucher l'outil ou le câble électrique. Gardez tout visiteur à l'écart de votre lieu de travail.
- Câbles prolongateurs pour l'extérieur.** Quand vous utilisez votre outil à l'extérieur, n'utilisez que des câbles prolongateurs homologués avec le calibre adéquat.
- Rangez les outils non en service.** Les outils inutilisés doivent être conservés dans un endroit sec, fermé à clé et hors de la portée des enfants.
- Portez des habits appropriés.** Ne portez pas de vêtements amples ni de bijoux; ceux-ci pourraient être happés par les pièces en mouvement de l'outil électrique. Des gants de caoutchouc et des semelles antidérapantes sont conseillés pour les travaux à l'extérieur. Serrez les cheveux longs dans un couvre-chef.
- Portez des lunettes protectrices.** Portez un masque à poussière lors d'un travail dégageant de la poussière.
- Prenez garde au niveau de pression acoustique maximum.** Le port d'un casque antibruit est conseillé lorsque le niveau de pression acoustique est supérieur à 85 dB(A).
- Fixez la pièce à travailler.** Utilisez des crampons ou un étau pour maintenir la pièce à travailler en place. Elle sera mieux tenue qu'à la main, et vous aurez les deux mains libres pour manier l'outil.
- Ne portez pas vos mouvements trop loin de vous.** Gardez votre équilibre et une assise ferme à tout moment.

- Evitez les démarrages accidentels.** Ne transportez pas un outil branché avec le doigt sur l'interrupteur. Assurez-vous que l'interrupteur soit en position ARRET avant de brancher l'outil.
- Soyez toujours attentif.** Observez votre travail. Agissez en faisant du bon sens. N'employez pas l'outil lorsque vous êtes fatigué.
- Débranchez votre outil.** Attendez l'arrêt total de votre outil quand vous ne l'utilisez plus. Débranchez impérativement votre outil quand vous nettoyez votre outil et quand vous changez les accessoires.
- Enlevez les clés et les clavettes d'ajustage.** Avant de mettre l'outil en marche, assurez-vous toujours que les clés et les clavettes d'ajustage soient retirées.
- Utilisez l'outil approprié.** N'utilisez pas d'outils ou d'accessoires de trop faible puissance à faire le travail d'un outil de gros oeuvre. L'outil fera un travail meilleur et plus sûr au régime pour lequel il a été conçu. Pour votre propre sécurité, n'utilisez que des accessoires et des outils adaptables qui sont proposés dans ce mode d'emploi.
- Ne maltraitez pas le câble.** Ne portez jamais l'outil par son câble électrique et ne tirez pas sur celui-ci pour le débrancher d'une prise. Gardez le câble loin de la chaleur, de l'huile et des arêtes coupantes.
- Traitez votre outil avec soin.** Gardez toujours vos outils propres et bien affûtés pour obtenir un rendement meilleur et plus sûr. Suivez les prescriptions pour la lubrification et le changement des accessoires. Inspectez périodiquement les câbles électriques et, s'ils sont endommagés, faites-les réparer par un service DEWALT qualifié. Inspectez périodiquement les câbles prolongateurs. Remplacez les câbles endommagés. Gardez les poignées et les interrupteurs secs, propres et nettes de tout corps gras.
- Vérifiez les parties endommagées.** Avant d'utiliser votre outil, inspectez-le avec soin afin de s'assurer que votre outil est apte à fonctionner proprement et remplir sa fonction. Vérifiez l'alignement des pièces mobiles, leurs attaches, leurs fêlures possibles, leur montage et toute autre condition susceptible d'en affecter le fonctionnement. Une pièce de protection ou toute autre pièce endommagée doit être correctement réparée ou remplacée. N'utilisez pas d'outils électriques dont l'interrupteur est défectueux et faites-le réparer par un Service de Réparation DEWALT qualifié.
- Faites réparer votre outil par un Service de Réparation DEWALT qualifié.** Cet outil est conforme aux règles de sécurité en vigueur. Toute réparation doit être faite par un spécialiste et uniquement avec des pièces d'origine sinon elle peut être cause de risques graves pour la sécurité de l'utilisateur.

## MACHINE A MEULER A ANGLE DW806/DW813/DW823

### L'emballage contient:

- 1 Machine à meuler à angle
- 1 Poignée latérale
- 1 Roue à meuler
- 1 Mode d'emploi
- 1 Dessin agrandi
- 1 Carte de garantie
- Vérifiez si l'outil, les pièces et les accessoires ne présentent pas de dommages dus au transport.
- Prenez le temps de lire et de comprendre profondément ce mode d'emploi avant l'usage de l'outil.

### Description (FIG. A)

1. Interrupteur MARCHE/ARRET
2. Bouton d'ARRET du verrouillage
3. Dispositif protecteur
4. Verrou de la broche
5. Poignée latérale
6. Bouton de verrouillage

Les symboles suivants sont utilisés dans ce mode d'emploi:



Dénote le risque de blessure, danger de mort ou endommagement de l'outil en cas de non-respect des instructions de ce mode d'emploi.



Dénote le risque de tension électrique.



Prenez les mesures nécessaires pour la protection de l'ouïe lorsque le niveau de pression acoustique est supérieur à 85 dB(A).

### Sécurité électrique

Le moteur électrique a été conçu pour une seule tension. Vérifiez si la tension secteur correspond à la tension indiquée sur la plaquette d'identification. Votre outil DeWALT est prévu d'une double isolation; un branchement à la terre n'est donc pas nécessaire.



Pour la réparation des câbles électriques endommagés de l'outil, Il est impératif de faire réparer le câble par un service de réparation approuvé par le fabricant, des outils spécifiques étant nécessaires.



### Câbles Prolongateurs

N'utilisez que des câbles prolongateurs approuvés par les Autorités Electriques du pays. Avant d'utiliser un câble prolongateur, inspectez-le sur des fils défaits ou exposés, isolations endommagées et connexions défectueuses. Réparez ou remplacez les câbles endommagés. Conformément au développement continu de nos produits, des améliorations auraient pu être ajoutées à cet outil, ce qui peut légèrement modifier les instructions de ce manuel par rapport au fonctionnement du présent outil.

### Instructions de Sécurité pour Machines à Meuler

1. Portez toujours un masque ou des lunettes de protection lorsque vous utilisez cet outil.
2. Lors du meulage, maintenez le dispositif protecteur en place.
3. N'utilisez que des roues à meuler dont la vitesse limite est au moins égale à la vitesse limite à vide (NO LOAD RMP) indiquée sur la plaquette d'identification de l'outil. Cette précaution s'applique à tout accessoire pour tout outil.
4. Avant d'utiliser l'outil, inspectez les accessoires conseillés sur fêlures et défauts. Eliminez les roues à meuler en cas de défaut! Inspectez la roue au cas où l'outil aurait tombé.
5. Lorsque vous mettez l'outil en marche (après avoir installé une nouvelle roue à meuler ou une roue de rechange) gardez l'outil dans un endroit bien protégé et laissez tourner l'outil à vide pendant une minute. Si la roue présente un défaut, celle-ci devrait éclater en moins d'une minute. Ne faites jamais démarrer l'outil lorsqu'une personne se trouve en face de l'outil. Ceci concerne aussi l'opérateur de l'outil.

6. Lors de l'usage, évitez de laisser rebondir et de brusquer la roue à meuler. Arrêtez l'outil et inspectez la roue si des irrégularités se présentent.
7. Utilisez toujours le dispositif protecteur lorsque vous utilisez des roues à meuler à coupoles cylindriques.
8. Nettoyez régulièrement votre outil suivant les instructions données dans la section 'entretien' de ce mode d'emploi.



- N'utilisez aucun accessoire ou aucune pièce de rechange non- conseillé pour cet outil.
- Veillez à ce que la vitesse limite conseillée pour chaque accessoire dépasse la vitesse d'opération indiquée sur la plaque d'identification de l'outil.
- Les accessoires doivent convenir et être utilisés en conformité avec les "Régulations des roues abrasives".

### **Mise en Marche de l'Outil (FIG. B)**

- Pour mettre l'outil en marche, appuyez sur le bouton d'ARRET du verrouillage et appuyez ensuite sur l'interrupteur MARCHE/ARRET.
- Pour arrêter l'outil, relâchez l'interrupteur MARCHE/ARRET.

### **Fonctionnement continu**

- Pour le fonctionnement continu de l'outil, glissez le bouton de verrouillage dans la direction de l'index après avoir appuyé sur l'interrupteur MARCHE/ARRET, et relâchez ensuite la pression sur l'interrupteur MARCHE/ARRET. Pour arrêter l'outil, appuyez et relâchez l'interrupteur MARCHE/ARRET.

### **Montage et Enlèvement du Dispositif Protecteur (FIG. C)**

Lorsque vous utilisez l'outil pour le sablage avec le coussinet de recul, il n'est pas nécessaire de monter le dispositif protecteur. Pour les autres applications, montez le dispositif protecteur comme suit:

- Alignez le ressaut du dispositif protecteur avec la mortaise de l'applique fixée à la base de la boîte du moteur (Fig. C1).
- Appuyez le dispositif protecteur sur la boîte du moteur, et tournez le dans la direction de la flèche (Fig. C2).

- Le pivot de verrouillage du dispositif protecteur s'agrafe dans la mortaise et empêche ainsi le dispositif protecteur de se détacher, alors qu'il permet une rotation de 105°.

Pour enlever le dispositif protecteur, procédez comme suit:

- Placez l'outil à l'envers sur une surface plate.
- Tenez l'outil en main et faites tourner le dispositif protecteur dans le sens de la flèche avec votre pouce (Fig. C3). Cependant, appuyez le pivot de verrouillage dans la mortaise, à l'aide d'un tournevis ou tout autre outil pointu, afin que le ressaut du dispositif protecteur soit visible (Fig. C4).
- Le dispositif protecteur n'est plus maintenue par le couvercle de la broche et peut être libéré à l'appui de votre pouce.



Important! Le montage et l'enlèvement du dispositif protecteur ne peuvent être fait lorsque l'outil est débranché du circuit électrique. L'usage de l'outil sans la pièce de protection se fait uniquement pour le sablage avec le coussinet de recul en caoutchouc.

### **Montage du coussinet de recul en caoutchouc (FIG. D)**

Le coussinet de recul en caoutchouc est disponible comme accessoire optionnel. Pour le montage du coussinet, procédez comme suit:

- Débranchez l'outil du circuit électrique.
- Enlevez le dispositif protecteur de l'outil.
- Montez le coussinet sur la broche de l'outil (Fig. D1). L'aillette actionnée intérieure de la Fig. E n'est pas nécessaire.
- Montez le disque abrasif sur le coussinet.
- Vissez l'aillette extérieure à deux trous de prise, ainsi que le coussinet ajusté, sur la broche de l'outil (Fig. D2).
- Faites tourner le coussinet alors que vous appuyez le verrou de la broche sur la boîte du moteur jusqu'à ce que celui s'agrafe et retient la broche (Fig. D3).

Maintenez votre doigt fermement sur le verrou de la broche, alors que vous serrez l'aillette extérieure avec la clé de la broche fournie.



- Relâchez le verrou de la broche. Branchez l'outil et commencez votre travail.
- Pour enlever le coussinet, suivez les instructions ci-dessus dans le sens inverse.



**Important!** Lorsque vous utilisez l'outil pour le sablage, ne sablez la pièce à travailler que avec un segment du disque et n'appliquez pas une pression élevée sur l'outil.

## Montage des Roues à Meuler/Disques de Coupe (FIG. E)

Les roues à meuler et les disques de coupe sont disponibles comme accessoires optionnels.

Pour monter une roue/un disque à meuler, procédez comme suit:

- Débranchez l'outil de la pris électrique.
- Localisez l'ailette actionnée intérieure sur la broche de l'outil (Fig. E1).
- Localisez la roue ou le disque contre l'ailette.
- Vissez l'ailette à fil sur la broche (Fig E2).
- Faites tourner la roue/le disque, alors que vous appuyez le verrou de la broche (sur l'avant de la boîte du moteur) jusqu'à ce celui-ci s'agrafe et retient la broche
- Serrez fermement l'ailette à fil avec la clé à clavette double fournie (Fig. E3).
- Relâchez le bouton. Branchez l'outil et commencez votre travail.



### Important!

Pour émoudre: Lorsque vous utilisez un disque central incliné, utilisez l'outil d'un angle de 30° pour l'oeuvre brut, et de 15° environ pour la finition.

Pour la coupe: lorsque vous utilisez un disque de coupe aplati, commencez toujours la coupe de l'angle dont la coupe doit être faite. Maintenez l'angle pour la coupe entière et n'appliquez pas une pression latérale sur le disque.

## Montage de Brosses-Coupoles à Fils de Fer

Les brosses-coupoles s'appliquent immédiatement sur la broche de l'outil sans ailettes.

## Poignée Latérale (FIG. F)

La poignée latérale de votre outil à émoudre s'applique sur les deux cotés de la boîte du moteur.

## Coupe-Brosses

Votre outil s'arrête automatiquement lorsque les brosses sont entièrement usées, éliminant ainsi l'endommagement des pièces internes de votre outil.

## Remplacement des brosses (FIG. G)

- Débranchez l'outil du circuit électrique.
- Dévissez les deux vis et enlevez les deux parties du logement de l'outil. (Fig. G1).
- Soulevez l'extrémité du ressort et sortez la brosse de sa cavité, et retirez le connecteur de la borne. (Fig. G2).
- Vérifiez la longueur de la brosse, si celle-ci est moins de 6mm, remplacez-la. Remplacez les nouvelles brosses dans la même cavité et montez-les de la même façon.
- Insérez la brosse, utilisé ou nouvelle, serrez le connecteur, remettez le ressort en position, et vérifiez l'autre brosse. Lorsque une des brosses est usée, remplacez toujours les deux brosses, même si une des deux brosses est moins usée.
- Remettez les deux parties du logement de l'outil. Assurez-vous de ne pas bloquer ou endommager les fils électriques et vérifiez à ce que l'anneau du câble connecteur soit correctement remis en place.
- Resserrez les vis. Branchez le connecteur comme décrit ci-dessus. Contrôlez le fonctionnement de l'outil, et avant l'usage, faites tourner l'outil à vide pour permettre l'établissement des brosses.

## Entretien

Votre outil DEWALT de gros oeuvre est conçu pour une opération de longue durée avec un minimum d'entretien. L'opération continue et

satisfaisante dépend du maintien propre de l'outil et d'un nettoyage régulier.

- Les manches en caoutchouc endommagés doivent être remplacés afin d'éviter l'entrée de saletés dans l'outil. Pour l'enlèvement du manche en caoutchouc, tirez le manche dans la direction de la flèche, enlevez la protection et remettez une nouvelle protection, alors que vous maintenez le manche dans la position décrite.
- Votre outil s'arrête automatiquement lorsque les brosses au carbon sont usées. Ceci protège le commutateur de tout endommagement. Dans ce cas, rentrez votre outil dans un centre de service pour faire remplacer les brosses au carbon.
- Maintenez toujours les cavités de ventilation de l'outil libres de toute obstruction.



### **Lubrification**

Votre outil de gros oeuvre ne requiert aucune lubrification.



### **Nettoyage**

Maintenez les cavités de ventilation propres et nettoyez régulièrement le logement de l'outil avec un chiffon doux.

## **DeWALT Service Après-Vente**

Tous les outils électriques DeWALT ont été scrupuleusement testés avant leur sortie d'usine. Néanmoins, au cas où votre outil électrique nécessiterait une réparation, nous vous prions de contacter votre distributeur ou d'envoyer votre outil au Centre de Service DeWALT le plus proche.

## **GARANTIE**

### **Garantie Totale 1 an**

Les outils industriels DeWALT de gros oeuvre sont garantis 1 an à partir de la date d'achat. Nous réparons, sans supplément, tout outil défectueux dû à des matériaux ou la main d'oeuvre défectueux. Nous vous prions de rentrer l'outil complet, transport remboursé, dans un Centre de Service DeWALT ou tout autre centre de service qualifié.

La garantie ne s'applique pas:

- aux accessoires
- aux outils endommagés par des réparations entreprises par des tiers
- aux outils endommagés à la suite de négligence, mauvais usage, usure, altération ou modification.

### **Contrat de Service Gratuit 1 An**

En addition à la Garantie Totale 1 An, tout outil DeWALT bénéficie d'un Contrat de Service Gratuit 1 An. Nous offrons la main d'oeuvre gratuite pour toute réparation et tout entretien préventif pendant l'année qui suit l'achat. Une preuve d'achat est exigée.

### **Garantie 30 Jours Satisfaction sans Risque**

Si vous n'êtes pas entièrement satisfait de la performance de votre outil industriel de gros oeuvre DeWALT, rentrez le simplement chez votre vendeur participant pendant les 30 jours de la garantie. Une preuve d'achat est exigée.

### **Outils superflus et l'environnement**

Les Centres de Service DeWALT qualifiés acceptent vos vieux outils et s'en disposent d'une manière qui sait sans danger pour l'environnement.

## Petunjuk Keselamatan

Bila menggunakan alat listrik, perhatikanlah selalu peraturan keselamatan yang berlaku di negara Anda agar mengurangi resiko kebakaran, sengatan listrik dan luka pada diri sendiri. Bacalah seluruh petunjuk di bawah ini sebelum mencoba menggunakan produk ini. Simpanlah petunjuk ini di tempat yang aman!

### Hal-hal Umum

- 1 Jagalah kebersihan di tempat kerja. Tempat dan bangku yang kacau dapat mengakibatkan kecelakaan.
- 2 Perhatikanlah lingkungan tempat kerja. Jangan membiarkan alat listrik terbuka terhadap kelembaban. Beri penerangan yang cukup di tempat kerja. Jangan menggunakan alat listrik di dekat cairan atau gas yang mudah terbakar.
- 3 Hindari sengatan listrik. Jagalah jangan sampai badan Anda bersentuhan dengan permukaan yang berhubungan dengan tanah (misalnya pipa, radiator, kompor dan kulkas).
- 4 Jagalah supaya anak-anak menjauhi alat. Jangan membiarkan anak-anak bersentuhan dengan alat atau kabel sambungan. Jagalah supaya semua orang menjauhi tempat kerja.
- 5 Kabel sambungan untuk pemakaian di lapangan. Bila alat ini digunakan di lapangan, pakailah selalu kabel sambungan yang khusus untuk pemakaian di lapangan.
- 6 Simpan alat yang tidak digunakan. Bila tidak digunakan, alat listrik harus disimpan di tempat yang kering dan dikunci dengan aman - jangan sampai terjangkau oleh anak-anak.
- 7 Berpakaian rapi. Jangan memakai baju yang longgar atau perhiasan. Baju yang longgar dan perhiasan dapat tersangkut pada bagian-bagian yang bergerak. Lebih baik memakai sarung tangan karet dan sepatu yang tidak licin bila bekerja di lapangan. Pakailah penutup rambut sebagai pelindung bagi rambut panjang.
- 8 Pakailah kacamata pelindung. Pakailah juga pelindung muka atau penutup hidung kalau-kalau pengoperasian menimbulkan debu atau partikel yang beterbangan.
- 9 Waspadalah terhadap tekanan suara yang maksimum. Ambillah tindakan yang sesuai untuk melindungi pendengaran bila tekanan suara melewati 85dB(A).
- 10 Amankan benda yang dikerjakan. Gunakan klem atau catok untuk menjepit benda yang dikerjakan. Ini lebih aman dan kedua tangan Anda dapat bebas mengoperasikan alat.
- 11 Jangan menjangkau terlalu jauh. Berdirilah dengan baik dan jagalah keseimbangan badan setiap saat.

- 12 Hindari start yang tidak disengaja. Jangan mengangkat alat yang masih tersambung di kontak sambil jari tangan pada tombol. Pastikan bahwa Anda melepaskan tombol sebelum menyambung alat di kontak.
- 13 Tetap waspada. Perhatikan apa yang Anda kerjakan. Gunakan akal sehat. Jangan mengoperasikan alat bila Anda lelah.
- 14 Lepaskan alat. Matikan listrik dan tungguhlah sampai alat berhenti sama sekali sebelum meninggalkan alat. Lepaskan alat dari kontaknya bila tidak menggunakan alat, sebelum menyervis atau menukar aksesori.
- 15 Lepaskan kunci pengatur dan kunci Inggeris. Senantiasa periksalah bahwa kunci pengatur dan kunci Inggeris sudah dilepaskan dari alat sebelum mengoperasikan alat.
- 16 Gunakan alat yang sesuai. Jangan memaksakan alat-alat kecil atau alat-alat pelengkap untuk melakukan pekerjaan yang seharusnya dilakukan oleh alat yang kuat. Alat ini dapat melakukan pekerjaan tersebut dengan lebih baik, lebih aman dan kecepatan yang dimaksudkan. Memakai aksesori atau alat pelengkap selain daripada yang direkomendasikan dalam manual petunjuk ini dapat menyebabkan resiko luka pada diri sendiri.
- 17 Jangan menyalahgunakan kabel. Jangan sekali-kali mengangkat alat dengan memegang kabelnya. Jangan pula menarik kabel untuk melepaskan alat dari kontaknya. Jauhkan kabel dari panas, oli dan sisi-sisi yang tajam.
- 18 Peliharalah alat dengan baik. Jagalah agar alat dalam keadaan yang baik dan bersih supaya dayagunanya lebih baik dan lebih aman. Ikuti petunjuk memelihara alat dan menukar aksesori. Periksalah kabel alat secara teratur, dan jika rusak, harus diperbaiki oleh Agen Reparasi DeWALT yang resmi. Periksalah kabel sambungan secara berkala dan gantilah bila rusak. Jagalah semua alat pengontrol supaya kering, bersih dan bebas dari oli dan gemuk.
- 19 Periksalah kalau-kalau ada bagian-bagian yang rusak. Sebelum menggunakan alat, periksalah dengan hati-hati kalau-kalau ada kerusakan agar menjamin alat beroperasi dengan baik dan melakukan fungsi yang dimaksudkan. Periksalah kalau-kalau ada bagian-bagian bergerak yang tidak berajar atau terjepit, bagian-bagian yang patah dan kondisi-kondisi lainnya yang dapat mempengaruhi operasi alat. Pelindung atau suku cadang yang rusak harus diperbaiki atau diganti sesuai dengan petunjuk. Jangan menggunakan alat jika tombolnya rusak. Tombol yang rusak harus diganti oleh Agen Reparasi DeWALT yang resmi.
- 20 Alat Anda harus diperbaiki oleh Agen Reparasi DeWALT yang resmi. Alat listrik ini sesuai dengan peraturan keselamatan yang bersangkutan-paut. Untuk menghindari bahaya, alat-alat listrik harus hanya diperbaiki oleh ahli-ahli teknik yang berkualifikasi.

## GURINDA SUDUT DW806 / DW813 / DW823

### Isi Paket

Paket ini berisi:

- 1 Gurinda sudut (Angle grinder)
- 1 Pegangan samping
- 1 Roda gurinda
- 1 Petunjuk pemakaian
- 1 Gambar yang diperbesar
- 1 Kartu garansi

- Periksalah kalau-kalau ada kerusakan pada alat, suku cadang atau aksesoris yang mungkin terjadi dalam perjalanan.
- Bacalah manual petunjuk ini baik-baik sebelum menggunakan alat.

### Penjelasan (GAMBAR A)

1. Tombol menyala/mati
2. Tombol pengunci-mati
3. Pelindung
4. Kunci gelendong (Spindle lock)
5. Pegangan samping
6. Tombol pengunci-menyala

Lambang-lambang di bawah ini dipakai di seluruh manual ini:



Menunjukkan resiko luka pada diri sendiri, kehilangan nyawa atau kerusakan pada alat seandainya tidak mengikuti petunjuk di dalam manual ini.



Menunjukkan resiko sengatan listrik.



Ambillah tindakan yang sesuai untuk melindungi pendengaran jika tekanan suara melewati 85 dB(A).

### Keselamatan Listrik

Motor listrik ini telah didesain dengan hanya satu voltasi. Senantiasa periksalah bahwa aliran listrik sesuai dengan voltasi yang tertera pada pelat spesifikasi. Alat DeWALT diisolasi ganda, sehingga kabel tanah tidak diperlukan.



Jika kabel listrik alat ini rusak, maka kabel harus diganti oleh toko perbaikan yang ditunjuk produsen, karena penggantian kabel memerlukan alat-alat khusus.



### Kabel Sambungan

Hanya kabel-kabel sambungan yang disetujui Perusahaan Listrik Negara boleh digunakan. Sebelum memakai kabel sambungan, periksalah kalau-kalau ada kawat yang longgar atau terbuka, isolasi yang rusak, atau bagian yang rusak.

Bila perlu, gantilah kabel.

Sesuai dengan usaha kami untuk terus-menerus mengembangkan produk-produk kami, perbaikan-perbaikan mungkin telah dilakukan sehingga isi petunjuk pemakaian ini agak berbeda dengan produk yang Anda terima.

### Peraturan Keselamatan untuk Pemakaian Gurinda

1. Senantiasa pakailah kacamata pelindung atau alat pelindung mata lainnya ketika menggunakan alat ini.
2. Sewaktu menggurinda, senantiasa letakkan pelindung di tempatnya.
3. Selalu gunakan aksesoris-aksesoris dan roda gurinda yang mempunyai kecepatan-maksimum operasi sekurang-kurangnya setinggi kecepatan "NO LOAD RPM" sebagaimana ditandai pada pelat spesifikasi alat.
4. Sebelum menggunakan alat, periksalah aksesoris yang direkomendasikan kalau-kalau retak atau rusak. Bila aksesoris ternyata retak atau rusak - buanglah roda tersebut! Roda harus pula diperiksa setiap saat Anda mengira bahwa alat mungkin pernah jatuh.
5. Ketika memulai menjalankan alat (dengan roda baru atau roda pengganti), pegang alat di tempat yang dilindungi dengan baik dan biarkan alat berjalan selama satu menit. Seandainya ada keretakan atau kerusakan yang tidak diketahui sebelumnya, maka roda akan pecah dalam waktu kurang dari satu menit. Ketika hendak memulai

- menjalankan alat, jangan sekali-kali membiarkan seseorangpun (termasuk operator) berada pada posisi sebaris dengan roda.
6. Sewaktu menggunakan alat, usahakan agar tidak melambungkan roda atau memperlakukan roda dengan kasar. Bila Anda secara tidak sengaja melambungkan roda atau memperlakukan roda dengan kasar, hentikanlah alat dan periksalah roda.
  7. Senantiasa gunakan pelindung yang bagian pusatnya berlekuk ke dalam atau roda gurinda cangkir yang melebar.
  8. Bersihkan alat secara berkala dengan mengikuti prosedur sebagaimana dijelaskan dalam bagian pemeliharaan.



- Jangan memakai aksesoris atau suku cadang yang tidak direkomendasikan untuk dipakai dengan alat.
- Pastikan kecepatan maksimum yang direkomendasikan untuk setiap aksesoris melebihi kecepatan pemakaian yang tertera pada pelat nama alat.
- Aksesoris harus dipasang dan dipakai sesuai dengan "Peraturan-peraturan tentang roda gurinda".

### Memulai Alat (GAMBAR B)

- Untuk memulai alat, tekan tombol pengunci-mati dan kemudian tekan tombol menyala/mati.
- Untuk menghentikan alat, lepaskan tekanan pada tombol menyala/mati.

### Pemakaian Yang Terus-menerus

- Untuk pemakaian yang terus-menerus, tekan tombol menyala/mati, lalu geser tombol pengunci-menyala menurut arah panah, dan kemudian lepaskan tekanan pada tombol menyala/mati. Untuk mematikan alat, tekan dan kemudian lepaskan tombol menyala/mati.

### Memasang Dan Melepaskan Pelindung (GAMBAR C)

Pelindung tidak diperlukan bila alat digunakan untuk mengampelas dengan bantalan sandaran. Untuk memasang pelindung untuk aplikasi lainnya, ikuti langkah-langkah di bawah ini:

- Luruskan keluk pada pelindung dengan lubang pada siku-siku yang dipasang pada dasar kotak roda gigi (Gambar C1).

- Tekan pelindung ke bawah ke arah kotak roda gigi, dan kemudian putar pelindung menurut arah panah (Gambar C2).
- Dalam posisi ini jarum pengunci pelindung yang terletak di dalam lubang siku-siku mencegah pelindung menjadi longgar, dan memungkinkan putaran melalui 105.

### Untuk melepaskan pelindung, ikuti langkah-langkah di bawah ini:

- Letakkan alat terbalik pada permukaan yang datar.
- Pegang alat di tangan Anda dan putar pelindung menurut arah panah dengan ibu jari Anda (Gambar C3). Pada waktu yang bersamaan, dengan menggunakan obeng atau alat lainnya yang berujung tajam, tekan jarum pengunci yang ada di dalam lubang siku-siku sehingga keluk pada pelindung tampak (Gambar C4).
- Pelindung tersebut, yang sudah tidak lagi ditahan oleh jarum pengunci, kemudian didorong secara bebas dengan menggunakan tekanan ibu jari.



Penting! Pemasangan dan pelepasan pelindung hanya boleh dilakukan bila steker telah dilepaskan dari kontakannya. Penggunaan alat tanpa pelindungnya dipasang hanya boleh dilakukan bila mengampelas dengan bantalan sandaran karet.

### Memasang Bantalan Sandaran Karet (GAMBAR D)

Bantalan sandaran karet tersedia dengan harga tambahan. Untuk memasang bantalan, ikuti langkah-langkah di bawah ini:

- Lepaskan steker dari kontakannya.
- Lepaskan pelindung dari alat.
- Masukkan bantalan sandaran ke atas gelendong mesin (Gambar D1). Flensa bagian dalam (Gambar E) tidak diperlukan.
- Letakkan cakram ampelas pada bantalan.
- Sekrup flensa bagian luar yang mempunyai dua lubang pegangan, bersama dengan bantalan yang telah dipasang, ke atas gelendong mesin (Gambar D2).
- Putar bantalan sambil menekan kunci gelendong yang ada di depan kotak roda gigi sampai menemukan tempat mengunci dan menahan gelendong sehingga tidak bergerak (Gambar D3).

- Dengan jari Anda kuat-kuat pada kunci gelendong, ketatkan flensa bagian luar dengan kunci Inggris berjarum yang diberikan.
- Lepaskan kunci gelendong. Sambung alat di kontak dan mulailah bekerja.
- Untuk melepaskan bantalan sandaran, ikuti petunjuk di atas dengan urutan yang berlawanan.



**Penting!** Bila menggunakan alat untuk mengampelas, hanya sebagian cakram boleh bersentuhan dengan pekerjaan dan jangan gunakan alat untuk aplikasi dengan tekanan yang tinggi.

## Memasang Roda Gurinda/Cakram Potong (GAMBAR E)

Roda gurinda dan cakram potong tersedia sebagai aksesori pilihan. Untuk memasang roda gurinda/cakram, ikutilah langkah-langkah di bawah ini:

- Lepaskan alat dari kontaknya.
- Letakkan flensa (flange) bagian dalam di atas alat penggerak yang pipih pada gelendong (spindle) mesin.
- Letakkan roda atau cakram pada flensa.
- Sekrup flensa yang berulir tersebut ke atas gelendong (Gambar E2).
- Putar roda gurinda/cakram sambil menekan kunci gelendong (di depan kotak roda gigi) sepenuhnya, sampai menemukan tempat mengunci dan menahan gelendong sehingga tidak bergerak.
- Ketatkan flensa berulir tersebut kuat-kuat dengan kunci Inggris berjarum-dua yang diberikan (Gambar E3).
- Lepaskan tombol. Sambung alat di kontak dan mulailah bekerja.



### **Penting!**

Untuk mengkurir: Bila memakai cakram yang pusatnya berlekuk ke dalam, gunakan mesin pada sudut kira-kira 30 dengan pekerjaan sewaktu mengkurir secara kasar, dan kira-kira 15 sewaktu merapikan.

Untuk memotong: Bila memakai roda potong yang pipih, senantiasa dekati pekerjaan pada sudut menurut potongan yang akan dibuat. Pertahankan sudut ini selama pemotongan dan jangan memberi tekanan dari samping pada roda.

## Memasang Sikat Cangkir Kawat

Sekrup sikat cangkir kawat langsung pada gelendong mesin tanpa menggunakan flensa.

## Pegangan Samping (GAMBAR F)

Pegangan samping gurinda sudut Anda dapat dipasang pada salah satu sisi kotak roda gigi.

## Sikat Potong

Jika sikat menjadi aus seluruhnya, sikat tersebut akan mati secara otomatis, sehingga menghindari kerusakan pada bagian-bagian di dalam alat.

## Mengganti Sikat (GAMBAR G)

- Lepaskan alat dari kontaknya.
- Lepaskan kedua sekrup dan keluarkan kedua bagian tempat alat (Gambar G1).
- Kemudian angkat ujung per dan geser sikat keluar dari tempat sikat, sehingga melepaskan konektor dari sambungannya (Gambar G2).
- Periksa panjang sikat dan gantilah jika panjangnya kurang dari 6mm. Sikat yang aus harus diganti dengan sikat baru yang diletakkan di tempat dan posisi yang sama dengan sebelumnya.
- Masukkan sikat yang lama atau yang baru, amankan konektor, letakkan per kembali di tempatnya dan kemudian periksa sikat yang lain. Bila sikat perlu diganti, senantiasa gantilah kedua sikat, walaupun salah satu sikat masih lebih dari 6mm panjangnya.
- Letakkan kedua bagian tempat alat. Pastikan kawat di dalam tidak terjepit atau rusak serta periksa bahwa cincin penahan kabel konektor ditempatkan dengan benar.
- Amankan kedua sekrup dengan ketat. Sambung konektor sebagaimana dijelaskan di atas. Periksa bahwa alat bekerja. Sebelum menggunakan alat, biarkan alat berjalan selama beberapa menit agar sikat-sikatnya tidak kaku.

## Pemeliharaan Alat

Jagalah supaya pelindung, celah-celah ventilasi udara dan tempat motor bersih dari debu dan kotoran dengan jalan membersihkan dengan kain

bersih atau meniup. Tumpukan debu logam atau minyak yang berlebihan dapat mengakibatkan arus listrik dari bagian-bagian di dalam mengalir ke bagian logam yang terbuka.

Pemberian beban yang berlebihan akan mengurangi kecepatan dan efisiensi secara drastis serta mengakibatkan alat menjadi panas. Dalam hal ini, jalankan mesin tanpa beban selama satu atau dua menit sampai mesin didinginkan hingga suhu kerja yang normal oleh kipas yang terdapat di dalam alat. Menyalakan dan mematikan mesin ketika mesin sedang diberi beban akan memendekkan umur tombol.



### **Meminyaki**

Alat listrik Anda tidak perlu diminyaki lagi.



### **Membersihkan**

Jagalah supaya celah-celah ventilasi tidak terhalang-halangi serta bersihkan tempat alat secara teratur dengan kain yang lembut.

## **Pelayanan Purnajual Dari DeWALT**

Semua alat listrik DeWALT telah dites secara menyeluruh sebelum meninggalkan pabrik. Namun demikian, jika alat listrik ini perlu diperbaiki, silahkan menghubungi agen penjualan Anda atau membawa ke Pusat Servis DeWALT yang terdekat.

## **Garansi**

### **Jaminan Satu Tahun Penuh.**

Alat-alat industri DeWALT yang kuat dan tahan lama dijamin selama satu tahun dari tanggal pembelian. Kami akan memperbaiki, tanpa memungut bayaran, setiap kerusakan yang terjadi karena bahan-bahan atau pembuatan yang cacat. Perjanjian telah dibuat dengan Divisi Alat Industri dari Black & Decker untuk memberi jaminan perbaikan untuk alat-alat DeWALT. Silahkan kembalikan unit yang komplit, dengan ongkos transpor telah dibayar terlebih dahulu, ke salah satu Pusat Servis DeWALT atau Pusat Servis Black & Decker atau stasiun servis yang resmi. Jaminan ini

tidak dapat dipakai untuk:

- Aksesori
- Kerusakan yang disebabkan oleh perbaikan yang dibuat atau dicoba oleh pihak lain
- Kerusakan yang disebabkan oleh penyalahgunaan, kelalaian, pemakaian yang lama sehingga menjadi aus, perubahan atau modifikasi.

### **Kontrak Servis Satu Tahun Gratis**

Selain jaminan satu tahun penuh, setiap alat DeWALT juga ditunjang dengan Kontrak Servis Satu Tahun Gratis. Kami akan menyediakan tenaga kerja gratis untuk semua perbaikan dan perawatan pencegahan selama tahun pertama setelah pembelian. Bukti tanggal pembelian diperlukan.

### **Garansi Kepuasan Tanpa Risiko Selama 30 Hari**

Jika Anda tidak puas sepenuhnya dengan dayaguna alat industri DeWALT yang kuat dan tahan lama, tinggal kembalikan kepada penjual yang berpartisipasi dalam waktu 30 hari. Bukti tanggal pembelian diperlukan.

## **Alat Usang Dan Lingkungan**

Bawalah alat yang telah usang ke Agen Reparasi DeWALT yang resmi. Di sana alat tersebut akan dihilangkan dengan cara yang aman terhadap lingkungan.

## تعليمات السلامة

عند استعمال الأدوات الكهربائية، تقيد دوماً بتعليمات السلامة السارية في بلدك وذلك للحد من أخطار الحريق والصدمات الكهربائية والإصابات الشخصية. اقرأ تعليمات السلامة التالية قبل أن تحاول تشغيل هذا المنتج. احفظ هذه التعليمات في مكان أمين.

### عموميات

- 1- حافظ على موقع العمل نظيفاً: فالمواقع غير السليمة قد تسبب الحوادث المؤسفة.
- 2- راقب الجو في منطقة العمل. لاتعرض أدوات القدرة للرطوبة. وتأكد من توفر الإضاءة، لا تستخدم الأدوات الكهربائيه بجانب مواد مشتعله أو غاز.
- 3- احرص على تجنب حدوث الصدمات الكهربائيّة. امنع حدوث أي تماس للجسم مع السطوح الأرضيه ( أي الأنايب، والمشعات، الطباخات والبرادات ).
- 4- احرص على إبعاد الأطفال. تجنب حدوث تماس للأطفال مع شريط الأداة أو سلك التطويل، ابق جميع الأشخاص بعيدين عن موقع العمل.
- 5- اسلاك التطويل من أجل الإستعمال الخارجي. فعند استعمال الأداة في الهواء الطلق استعمل دوماً أسلاك التطويل المناسبة للاستعمال الخارجي والتي تحمل العلامات المقابلة.
- 6- خزن الأدوات غير المستعملة. فيجب تخزين عدد ( أدوات ) القدرة غير الموضوعه في الإستعمال في مكان جاف على أن يغلق عليها بإحكام بعيداً عن متناول الأطفال.
- 7- ارتد البسه لائقة. ولاترتد ملابس فضفاضة أو جواهر إذ قد تعلق في الأجزاء المتحركة. والافضل ارتداء قفازات مطاطية وأحذية لاتسبب الإنزلاق لدى العمل في الهواء الطلق. البس غطاءً واقياً للشعر يغطيه ويحد حركة الشعر الطويل ويبقيه في مكانه.
- 8- البس نظارات واقية للسلامة. استعمل كذلك قناعاً للغبار أو الوجه وذلك في حالة العمليات المثيرة للقيحات الغبارية أو الطائرة.
- 9- حذار من ضغط الصوت الاعلي. اتخذ الإجراءات المناسبة من أجل حماية السمع إن تجاوز ضغط الصوت القيمة (85dB(A).
- 10- ثبت قطعة الشغل (المشغول) باستعمال المسامير لتثبيتها وهذا الوضع أكثر سلامةً ويحرر اليدين لتشغيل الإداة.

- 11- لاتحاول مد جسمك. حافظ على توازن قدميك، وابق جسمك متوازناً على الدوام.
- 12- تجنب البدايات العفوية. لاتعمل الأداة الموصولة إلى الشبكة واصبعك على المفتاح. تأكد أن المفتاح مفصول عندما توصل الجهاز إلى الشبكة.
- 13- ابق حذراً وراقب أفعالك. وتصرف بشكلٍ منطقي ولاتشغل الأداة وأنت تعب.
- 14- افصل الأداة. اقطع التغذية وانتظر حتى تتوقف الأداة تماماً قبل أن تتركها بدون مراقبة. وعند عدم الإستعمال انزع الشريط من التغذية، افعل الشيء ذاته قبل الصيانة أو قبل تغيير التجهيزات الإضافية.
- 15- نقل مفتاح التحكم والربط. إحرص دائماً علي أن مفتاح التحكم والربط مفصول عن الأداة.
- 16- استعمل أداة مناسبة. لا تستعمل الأدوات الصغيرة للقيام بعمل الأدوات الأكبر، فلأداة تؤدي العمل بشكل أفضل إذا إستعملت الأدوات المناسبه المصممه لها. كما أن استعمال أية تجهيزات إضافية ملحقه غير تلك التي ينصح بها في هذه التعليمات قد يؤدي إلى مخاطر على الأفراد.
- 17- لاتسيئ استعمال الشريط. لاتحمل -أبدأ- الأداة من شريطها لفصلها عن المآخذ. ابق الشريط بعيداً عن الحواف الحادة الصلبة وبعيدا عن الحرارة والزيت.
- 18- عامل الأدوات بعناية: ابق الأدوات بحالة جيدة، نظيفة من أجل أداء أفضل وأمن- تقيد بتعليمات الصيانة وبالتعليمات الخاصة بتغيير الملحقات. افحص العدد خلال فترات زمنية منتظمة، على أن تقوم بتغيير أو بصيانة العدد المعطلة بواسطة وكيل مخول من DEWALT افحص أشرطة التطويل بشكل منتظم واستبدلها إن كانت معطلة. ابق جميع قبضات التحكم جافة ونظيفة وخاليه من أي شحوم.
- 19- افحص الأجزاء المعطوبة: قبل استعمال الأدوات تحقق من عدم وجود أجزاء معطوبة وذلك كي تضمن عملها السليم. تحقق من عدم وجود إنزياحات ومن الحركة الطليقة للأجزاء المتحركة، لاتستعمل الأداة إن كان المفتاح معطوباً. وفي هذه الحالة أطلب من مركز صيانة DEWALT المخول استبداله.
- 20- اجر صيانة الأداة في مركز صيانة مخول DEWALT. وهذه الأداة مطابقة لشروط السلامة المناسبة، ولتجنب الخطر فإن صيانة الأدوات الكهربائيّة يجب أن تتم على يد فنيين مؤهلين.



## محتويات المجموعة

إن المجموعة تحتوي على:

- ١ آلة جلج زاوي
- ١ مقبض جانبي
- ١ دولاب جلج
- ١ مخطط تفصيلي
- ١ دليل تعليمات
- ١ بطاقة ضمان

- تحقق للتأكد من عدم إصابة الأداة والأجزاء والملحقات بأية أضرار نتيجة عملية النقل.
- خذ الوقت الكافي لقراءة هذا الدليل بكامله وإستيعابه قبل التشغيل.

## وصف (الشكل A)

- ١ مفتاح ON/OFF
- ٢ زر إقفال OFF
- ٣ حاجز
- ٤ قفل المحور
- ٥ مقبض جانبي
- ٦ زر التشغيل ON

تستعمل الرموز التالي خلال هذا الدليل.

ترمز إلى إحتمال حدوث خطر يؤدي إلى أضرار شخصية أو إصابه مميته أو أضرار على الأداة إن لم يتم التقيد بالتعليمات المذكورة في هذا الدليل.

ترمز إلى خطر الإصابة الكهربائية.

إتخذ الإجراءات المناسبة لحماية السمع إن تجاوز ضغط الصوت المعدل (A)db 85

## السلامة الكهربائية

لقد تم تصميم المحرك الكهربائي ليعمل عند جهد واحد فقط. تأكد دوماً أن جهد

منبع التغذية يتوافق مع الجهد على اللوحة الإسمية. إن ألتك من طراز Dewalt مضاعفة العزل وعليه لا داعي لإستعمال سلك أرضي.

إذا أصاب الكبل أي ضرر أو تهتك، يجب إستبداله بواسطة مركز صيانته مخول وذلك لتطلب أدوات متخصصة لتركيبه.

## شريط التطويل

يجب إستعمال أشرطة تطويل التي تقرها السلطة الكهربائية المخولة في البلاد. قبل إستعمال أي شريط تطويل، إفحصه للتأكد من عدم وجود أسلاك رخوة أو مكشوفة أو عازلية مهترئة وتجهيزات معطوبة. إجر الإصلاحات اللازمة أو إستبدل الشريط إن دعت الضرورة.

نتيجة إلى الدراسة المستمرة لتحسين منتجاتنا، إحتمال وضع بعض التعديلات للمنتج مما يجعل هذا الدليل مختلف نسبياً عن أدواتك.

## تعليمات السلامة لآلات الجلج

- ١ إلبس دائماً نظارات واقية عند إستخدام الأداة.
- ٢ إبق الحاجز دائماً في مكانه عند الجلج.
- ٣ إستخدم دولاب الجلج ذو أقصى سرعة تشغيل لا تقل عن "NO LOAD RPM" المطبوعة على اللوحة الإسمية للأداة. وهذا ينطبق على كل الملحقات لأي أداة.
- ٤ قبل الإستعمال، تفحص وتأكد من عدم وجود أي شقوق أو خلل. إذا تواجدت الشقوق أو أي خلل - تخلص من الدولاب! يجب فحص الدولاب في حالة وقوع الأداة.
- ٥ عند بدء التشغيل (وذلك بعد تغيير الدولاب بواحد جديد)، إمسك الأداة في منطقة محتديه ودعه يعمل لمدة دقيقة، إذا كان الدولاب مشقوقاً أو به أي عيب فسينفجر في أقل من دقيقة واحده. لا تبدأ تشغيل الأداة أبداً إذا كان هناك شخص واقف أمام الدولاب، وهذا ينطبق على العامل كذلك.
- ٦ عند التشغيل، تجنب قفز الدولاب أو إستعماله بخشونه، إذا حدث ذلك، أوقف الأداة وتفحص الدولاب.
- ٧ إستعمل دائماً الحاجز مع إستعمال دولاب الجلج المقعر.
- ٨ قم بتنظيف الأداة في فترات منتظمة كما هو موضح في قسم الصيانته.

- لا تستعمل أي ملحقات إضافية لم يتم النصح بها أو الإشارة إليها مع هذه الأداة.
- تأكد من أن السرعة الأعلى الموصى بها لكل ملحق إضافي يستعمل تزيد عن سرعة العمل المسجلة على اللوحة الإسمية.
- كل الملحقات الإضافية يجب تركيبها وإستعمالها وفقاً مع نظام دولاب الجلخ.

### إقلاع الأداة (الشكل B)

- لإقلاع الأداة إضغط مفتاح الإقفال ثم إضغط المفتاح OFF/ON
- لإيقاف الأداة خفف الضغط عن المفتاح OFF/ON
- العمل المستمر**
- من أجل العمل المستمر حرك زر الإقفال باتجاه السهم بعد ضغط المفتاح OFF/ON ثم إرفع الضغط عن المفتاح OFF/ON.

### تركيب الحاجز ونزعه (الشكل C)

- عند إستعمال الأداة من أجل الصنفرة بلوحة الدعم فلا لزوم للحاجز. لتركيب الحاجز من أجل التطبيقات الأخرى إتبع الخطوات التالية:
- ضع العروة الموجودة على الحاجز على إستقامة الشق الموجود في جدار الإستناد المثبت مع قاعدة غلاف المسنن (الشكل C1).
- إضغط الحاجز نحو الأسفل باتجاه غلاف المسنن ثم دور الحاجز في إتجاه السهم (الشكل C2).
- في هذا الوضع، زر الإقفال الموجود في الشق يمنع الحاجز أن يتحرر في الوقت الذي يسمح بدورانه بزوايه قدرها ١.٥ درجة.

لنزع الحاجز إتبع الخطوات التالية:

- ضع الأداة رأساً على عقب فوق سطح منبسط.
- ثبت الأداة بيدك و ثبت الحاجز باتجاه السهم بإبهامك (الشكل C3)، وفي الوقت ذاته بإستعمال مفك براغي أو أداة مدببة أخرى، إضغط زر الإقفال في الشق بحيث أن العروة على الحاجز تصبح مرئية (الشكل C4).
- بعد أن يتحرر الحاجز من زر الإقفال يمكن دفعه بحريه بضغط خفيف بواسطة الإبهام.

**هام:** إن تركيب ونزع الحاجز يجب إجراؤهما حتماً بعد نزع الأخذ من منبع

التغذية. إن إستعمال الأداة بدون الحاجز مسموح فقط عند الصنفرة بلوحة الدعم المطاطية.

### تركيب لوحة الدعم المطاطية (الشكل D)

- إن لوحة الدعم المطاطية متوفرة كعنصر ملحق إختياري في معظم البلاد. لتركيب اللوحة إتبع الخطوات التالية:
- إفصل الأخذ عن منبع التغذية

- إنزع الحاجز عن الأداة
- أدخل لوحة الدعم على محور الآلة (الشكل D1). الشفه المقاده داخلياً في الشكل E لا لزوم لها.
- ضع قرص الكشط على اللوحة
- ثبت بالبرغي الشفه الخارجي بثقبي الإمساك بعد تركيب اللوحة على محور الآلة (الشكل D2).
- دور اللوحة مع الضغط في الوقت ذاته على قفل المحور الموجود في مقدمة غلاف المسنن إلى أن يجد موقع إقفاله ويثبت المحور بشكل ثابت (الشكل D3).
- ضع إصبعك بقوة على قفل المحور وشد بإحكام الشفه الخارجي بإستعمال مفتاح الربط المقدم.
- حرر الزر. أدخل الأخذ في منبع التغذية وإبدأ العمل.
- لإزالة لوحة الدعم إتبع الخطوات السابقة بصوره عكسيه.

**هام:** عند إستخدام أداة الصنفرة، إسمح لجزء صغير فقط من القرص أن يلمس قطعة العمل وإمنع أي ضغط عال.

### تركيب دولاب الجلخ/أقراص القطع (الشكل E)

دولاب الجلخ وأقراص القطع متوفرين كملحق إضافي إختياري. لتركيب دولاب الجلخ وأقراص القطع، إتبع الخطوات التالية:

- إفصل الأداة عن المنبع
- ضع الشفه الداخليه الموجوده على السطوح المتحركة على محور الآلة. (الشكل E1).

- أدخل المسفرة القديمة أو الجديدة، أمن الواصل، أعد تركيب النابض ثم إفحص المسفرة الأخرى. يجب إستبدال المسفرتين معاً وإن كان طول إحداهما أكبر من ٦م.
- إستبدل جزئي الغلاف. تأكد أن التمديدات الداخليه غير متضرره وتحقق أن حلقة تثبيت كبل الوصل موجوده في مكانها الصحيح.
- أعد شد البرغيين بإحكام. صل عنصر الوصل كما هو موصوف أعلاه.
- تحقق من أن الآداه شغاله وقبل إستعمالها إسمح لها أن تدور عدة دقائق كي تستقر المسفرتا في مكانها المناسب.

### الصيانة

إبق الحاجز، فتحات التهويه، والمحرك خال من الغبار والأوساخ بقدر المستطاع وذلك بتنظيفه بواسطة قطعة قماش نظيفه ونفخ الهواء خلالهم. إن تراكم غبار المعادن أو الزيت قد يؤدي إلى تحول التيار الكهربى من الأجزاء الداخليه إلى الأجزاء المعدنيه المكشوفه.

تجنب الحموله العاليه للأداة لفترات طويله. الحموله العاليه ستتسبب في إنقاص شديد في السرعه والأداء وتسخين الوحده. في هذه الحاله، شغل الأداة بدون أي حموله لمدة دقيقه أو إثنين إلى أن تبرد لدرجة حراره الطبيعيه للتشغيل بواسطة المروحه الداخليه. الضغط على مفتاح الزناد ON/OFF وما زالت الأداة محموله سينقص من عمر مفتاح الزناد.

### التزييت

لا تحتاج أدواتك إلى أي تزييت إضافي.



### التنظيف

إبق فتحات التهويه خاليه من الأترابه ونظف بقطعة قماش طرية.



### خدمة DEWALT بعد البيع

يتم اختبار جميع أدوات DEWALT بشكل كامل قبل أن تغادر المصنع ولكن، إن كانت الاداة بحاجة إلى الصيانة، الرجاء الإتصال بوكيلك. أو أخذ الأداة إلى أقرب مركز لخدمة DEWALT.

- ضع المحور أو القرص مقابل الشفة
- ثبت الشفة بالبرغي على المحور (الشكل E2).
- قم بدوران دولا ب الجلخ/القرص، في الوقت ذاته، إضغط بالكامل على مفتاح قفل المحور (في مقدمة غلاف المسنن) إلى أن يجد موقع إقفاله ويوقف المحور بشكل ثابت.
- شد بإحكام على الشفه مستخدماً الصاموله ذات المسارين المرفقه (الشكل E3).
- إرفع الضغط عن الزر، أوصل الأداة بالمنبع وأبدأ العمل.

**هام، من أجل الجلخ:** عند إستعمال قرص مركزي منخفض، إستعمل الآلة عند زاويه قدرها ٢٠ درجة مع المشغولة من أجل أعمال التخشين و ١٥ درجة من أجل أعمال التشطيب.

**من أجل أعمال ألقطع:** عند إستعمال دولا ب قطع منبسط إقترب دوماً من القطعه المشغوله بالزاويه التي يراد إجراء القطع عندها. حافظ على هذه الزاويه خلال عملية القطع بأسرها ولا تطبق ضغطاً جانبياً على الدولا ب.

### تركيب مسفرتا ذات كواب شريطي

يمكن تثبيت المسفرتا ذات الكواب الشريطي بالبرغي على محور الآله بدون إستعمال الشفه البارزه.

### المسكه الجانبيه (الشكل F)

يمكن تثبيت المسكه الجانبيه من أجل ألتك للجلخ الزاوي على أي من طرفي غلاف المسنن.

### إستبدال المسفرتا (الشكل G)

- إفصل الآخذ عن منبع التغذيه
- فك البرغيين بشكل كامل وإنزع الغلافين (الشكل G1) وإنزع الغطاء.
- إرفع نهاية النابض وإزلق المسفره خارجاً من ماسك المسفرتا مريحاً عنصر الإتصال من نهايته. (الشكل G2)
- تحقق من طول المسفره وإن كان هذا الطول أقل من ٦م إستبدلها. يجب إستبدال المسفرتا المتآكله في الماسك والمكان ذاته كالمستبدل.

### وثيقة لسنة كاملة

إن أدوات DEWALT ذات الأداء الصناعي مكفولة لسنة كاملة من تاريخ الشراء. سنقوم بإصلاح جميع العيوب الناجمة عن الصنع مجاناً. الرجاء إعادة الوحدة ، علماً أن أجور النقل مدفوعة سلفاً، إلى أي مركز للصيانة تابع لـ DEWALT أو إلى أي محطة خدمة مخولة. وهذه الكفالة غير سارية على:

- التجهيزات الإضافية الملحقه.

- الأضرار الناجمة عن عمليات الصيانة، التي يجريها الآخرون.
- الأضرار الناجمة عن الاستعمال السيء، والإهمال، والتآكل والتمزق والتغيير أو التعديل.

### عقد خدمة مجاني لمدة سنة

بالإضافة إلى كفالة لمدة سنة كاملة فإن كل أداة DEWALT مدعومة بعقد مجاني مدته سنة للخدمة، سنقدم اليد العاملة مجاناً في جميع عمليات الإصلاح والصيانة الوقائية خلال السنة الأولى التي تلي الشراء ولا بد من هذه الحالة من إثبات تاريخ الشراء.

### كفالة ترضية خالية من المجازفة مدتها ٣٠ يوماً

إن لم تكن راضياً تماماً عن أداء أداة DEWALT ذات العمل الصناعي أعدها بكل بساطة إلى البائع خلال فترة ٣٠ يوماً ولا بد في هذه الحالة من إثبات تاريخ الشراء

### الأدوات غير المرغوبة والبيئه

خذ أدواتك القديمة إلى وكيل صيانة DEWALT المخوّل حيث سيتخلص منها بطريقة غير مؤذية للبيئة.

## คำแนะนำเพื่อความปลอดภัย

เมื่อใช้งานเครื่องมือไฟฟ้าเหล่านี้ โปรดศึกษาถึงระบบการควบคุมความปลอดภัยในประเภทของท่าน ทั้งนี้เพื่อลดความเสี่ยงของการเกิดอัคคีภัย ไฟฟ้าดูด และ การบาดเจ็บของผู้ใช้ โปรดอ่านคำแนะนำเพื่อความปลอดภัยต่อไปก่อนที่จะใช้งานผลิตภัณฑ์เหล่านี้

### คำแนะนำทั่วไป

- 1 รักษาบริเวณที่ทำงานให้สะอาด พื้นที่ และ โต๊ะทำงาน ที่รกรุงรังจะเป็นสาเหตุของอุบัติเหตุ
- 2 ตรวจสอบสภาพแวดล้อมทั่วไปของบริเวณที่ทำงาน ไม่ใช่เครื่องมือไฟฟ้ากับบริเวณที่มีความชื้น บริเวณที่ทำงานต้องมีแสงสว่างเพียงพอ และ ไม่ใช่เครื่องมือไฟฟ้ากับสิ่งที่เป็นของเหลว หรือ ก๊าซที่สามารถติดไฟได้
- 3 ป้องกันไฟฟ้าดูด โดยการต่อสายดิน (เช่น แบตเตอรี่ เต้าปรงอาหาร และ ตู้เย็น)
- 4 เก็บเครื่องมือให้พ้นมือเด็ก อย่าให้เด็กเข้ามาเกี่ยวข้องกับเครื่องมือ หรือ สายต่อพ่วง และ อย่าให้ใครเข้ามาในบริเวณทำงาน
- 5 ใช้สายต่อพ่วงที่เหมาะสม เมื่อเครื่องมือถูกนำไปใช้ในอาคารต้องใช้สายต่อพ่วงสำหรับใช้งานกลางแจ้งเท่านั้น
- 6 เก็บรักษาเครื่องมือให้ดีเมื่อไม่ใช้งาน เครื่องมือไฟฟ้าจะต้องถูกเก็บในที่แห้ง และ ใส่อุปกรณ์ป้องกันความปลอดภัยเพื่อป้องกันเด็ก)
- 7 แต่งกายให้เหมาะสม อย่าสวมเสื้อผ้าที่หลวม หรือ ใส่เครื่องประดับ เพราะอาจมวนติดกับอุปกรณ์ได้ และ เมื่อต้องทำงานกลางแจ้ง ควรจะสวมถุงมือยาง กับรองเท้าที่พอดี และ ใส่หมวกเพื่อไม่ให้หมวกมาบังสายตา
- 8 ใส่แว่นตานิรภัย และ ควรจะใส่หมวกกันป้องกันหน้า หรือ ป้องกันฝุ่น ในกรณีที่มีการทำงานมีฝุ่นหรือวัสดุที่อาจจะปลิวเข้ามาได้
- 9 ระวังในเรื่องของเสียงที่ดังเกินขนาด ควรใส่ที่ครอบหูเพื่อป้องกันเสียงดัง โดยเสียงต้องไม่ดังเกิน 85dB(A)
- 10 จับชิ้นงานอย่างแน่นหนา โดยใช้ที่หนีบ หรือ อื่นๆ เพื่อยึดชิ้นงาน เพราะ จะทำให้เกิดความปลอดภัยมากกว่า
- 11 อย่าใช้การเอื้อม ในการทำงานให้อยู่ในระยะห่างที่สามารถทำงานได้อย่างเหมาะสม
- 12 หลีกเลี่ยงการเปิดใช้เครื่องมือโดยไม่ตั้งใจ อย่าเคลื่อนย้ายเครื่องมือที่เสียบปลั๊กอยู่ โดยวางนิ้วไว้บนสวิตช์ และ ตรวจสอบให้แน่ใจว่าสวิตช์ได้ปลดออกมาแล้วก่อนที่จะเสียบปลั๊ก

- 13 ต้องระมัดระวังอยู่เสมอ โดยสายตาจะต้องมองงานที่กำลังทำอยู่ อย่าทำงานเมื่อท่านกำลังอ่อนเพลีย
- 14 ปิดเครื่องมือ ให้ปิดแหล่งจ่ายไฟ และ รอจนกระทั่งเครื่องมือหยุดนิ่ง ก่อนที่จะปล่อยให้โดยไม่มีคนดูแล ให้ตั้งปลั๊กออกเมื่อไม่ใช้งาน, หรือ เมื่อต้องการตรวจสอบ หรือ ต้องการเปลี่ยนอุปกรณ์ต่างๆ
- 15 ถอดประแจต่าง ๆ ออกจากเครื่องมือ ก่อนที่จะเปิดให้เครื่องมือทำงาน
- 16 ใช้เครื่องมือที่เหมาะสม ยานำเครื่องมือหรืออุปกรณ์สำหรับงานเบา ไปใช้กับงานหนัก เครื่องมือจะสามารถใช้งานได้ดี และ ปลอดภัยกว่าถ้าหากถูกใช้ให้เหมาะสมกับงาน การใช้งานอุปกรณ์ ประกอบใดๆ ที่ เกินกว่าที่ แนะนำไว้ในคู่มือ อาจทำให้เกิดการบาดเจ็บกับผู้ใช้ได้
- 17 อย่าใช้สายไฟผิดวัตถุประสงค์ อย่าเคลื่อนย้ายเครื่องมือโดยดึงที่สายไฟ และ ถ้าต้องการดึงปลั๊กออกต้องไม่ใช้วิธีการดึงที่สายไฟ ควรเก็บรักษาสายไฟให้ห่างจากความร้อน น้ำมัน และ ของมีคม
- 18 ต้องบำรุงรักษาเครื่องมืออย่างระมัดระวัง การรักษาเครื่องมือให้อยู่ในสภาพที่ดี และ สะอาดจะช่วยให้การใ้ทำงานมีประสิทธิภาพ และ ปลอดภัย มากยิ่งขึ้น ให้ทำตามคำแนะนำสำหรับการบำรุงรักษา และ เปลี่ยนอุปกรณ์ต่างๆ ควรตรวจสอบไฟของเครื่องมือเป็นระยะๆ และ ถ้าหากชำรุดเสียหาย ให้ซ่อมแซมโดยศูนย์บริการที่ได้รับอนุญาตของ DeWALT นอกจากนี้ให้ตรวจสอบสายต่อพ่วงที่ใช้งานอยู่ และ เปลี่ยนใหม่ถ้าหากสายต่อพ่วงนั้นเสียหาย ดูแลสวิตช์ควบคุมต่างๆ ในแง่ สะอาด และ ปราศจากน้ำมัน หรือ จารบี
- 19 ตรวจสอบที่ชำรุดเสียหาย ก่อนการใช้งานเครื่องมือ ให้ตรวจสอบว่าเครื่องมือชำรุดเสียหายหรือไม่ ทั้งนี้เพื่อให้แน่ใจว่าเครื่องมือจะสามารถทำงานได้อย่างถูกต้องตามที่ได้รับการออกแบบมา ถ้าหากมีอุปกรณ์ที่เสียหายให้ซ่อมแซม หรือ เปลี่ยนใหม่ตามคำแนะนำ ห้ามใช้เครื่องมือถ้าหากสวิตช์สำหรับ เปิด/ปิด เสียหาย และ การถอดเปลี่ยนสวิตช์จะต้องกระทำโดยศูนย์บริการที่ได้รับอนุญาตของ DeWALT
- 20 การซ่อมแซมเครื่องมือจะต้องกระทำโดยศูนย์บริการที่ได้รับอนุญาตของ DeWALT เนื่องจากเครื่องมือไฟฟ้านี้ เกี่ยวข้องกับความปลอดภัยของผู้ใช้ ดังนั้นเพื่อหลีกเลี่ยงอันตราย เครื่องมือไฟฟ้าจะต้องได้รับการซ่อมแซมจากช่างเทคนิคผู้มีความสามารถเท่านั้น

**เครื่องบด/เจียร์****DW806/DW813/DW823****รายการอุปกรณ์**

เครื่องขัด	1 เครื่อง
มือจับด้านข้าง	1 อัน
หินเจียร์	1 แผ่น
คู่มือการใช้	1 เล่ม
ภาพแสดงชิ้นส่วน	1 ภาพ
ใบรับประกัน	1 ใบ

- โปรดตรวจสอบความเสียหายของเครื่องมือ, ชิ้นส่วนและอุปกรณ์ต่างๆซึ่งอาจเกิดขึ้นระหว่างการใช้งาน
- โปรดอ่าน และ ทำความเข้าใจคู่มือนี้อย่างละเอียดก่อนใช้งาน

**รายละเอียด(กาว)**

- สวิตช์เปิด/ปิด
- ปุ่มล็อกสวิตช์(ให้ปิด)
- กระบังสะเก็ด
- ปุ่มลอคแกน
- มือจับด้านข้าง
- ปุ่มล็อกสวิตช์(ให้เปิด)

สัญลักษณ์เหล่านี้จะใช้อ้างอิงในคู่มือตลอดทั้งเล่ม:



อาจทำให้บาดเจ็บ หรือ เสียชีวิต หรือ ทำให้เครื่องมือเสียหาย อันเนื่องมาจากการไม่ปฏิบัติตามคำแนะนำในคู่มือนี้



ระวังอันตรายจากไฟฟ้าดูด



สวมใส่อุปกรณ์ป้องกันที่เหมาะสม หากระดับความดังของเสียงเกิน 85 เดซิเบล

**ความปลอดภัยในการใช้กระแสไฟฟ้า**

มอเตอร์ไฟฟ้าออกแบบมาให้ใช้กับแรงดันไฟฟ้าเพียงขนาดเดียว ให้ตรวจสอบทุกครั้งว่าไฟฟ้าที่ใช้ เหมาะสมกับแรงดันไฟฟ้าที่ระบุในป้ายชื่อ เครื่องมือ DeWALT ของท่านมีฉนวนสองชั้น ดังนั้นจึงไม่ต้องต่อสายดิน



ถ้าสายไฟที่หุ้มมาพร้อมกับเครื่องมือเสียหาย จะต้องให้ร้านซ่อมซึ่งได้รับการแต่งตั้งจากผู้ผลิตเป็นผู้เปลี่ยนให้ เนื่องจากการเปลี่ยนจะต้องใช้เครื่องมือพิเศษ

**สายตัวพ่วง**

ใช้สายต่อพ่วงที่ได้รับการรับรองจากสถาบันตรวจสอบด้านไฟฟ้าของประเทศ ก่อนใช้สายต่อพ่วง ให้ตรวจสอบก่อนว่าสายไฟมีการชำรุดเสียหายของฉนวน และ ส่วนประกอบอื่นๆที่ไม่สมบูรณ์หรือไม่ ให้เปลี่ยนสายต่อพ่วงเมื่อมีความจำเป็น เนื่องจากผลิตภัณฑ์ได้รับการพัฒนาอย่างต่อเนื่อง ดังนั้นส่วนที่ได้ออกมาใหม่จะทำให้เนื้อหาในคู่มือการใช้แตกต่างไปบางจากผลิตภัณฑ์ที่ท่านได้รับ

**วิธีปฏิบัติเพื่อความปลอดภัยในการใช้เครื่องบด/เจียร์**

- ต้องใส่แว่นป้องกันตาทุกครั้งเมื่อใช้เครื่องมือนี้
- ใส่กระบังสะเก็ดทุกครั้งที่ทำารขัด
- การเจียร์ให้ใช้เมื่อแผ่นเจียร์หมุนที่ความเร็วสูงสุด อย่างน้อยเท่ากับความเร็ว "NO LOAD RPM" ที่แสดงไว้บนฉลากของเครื่องมือ ให้ทำตามคำแนะนำนี้กับอุปกรณ์ประกอบอื่นๆทุกชนิด
- ก่อนการใช้งาน ให้ตรวจสอบอุปกรณ์ประกอบอื่นๆแตกหัก หรือ ชำรุดหรือไม่ ถ้าหากมีการแตกหัก หรือ ชำรุดให้เปลี่ยน นอกจากนี้ควรตรวจดูแผ่นเจียร์ทุกครั้งเมื่อท่านคิดว่าเครื่องมือถูกทำตกลงพื้น
- เมื่อเริ่มเปิดใช้เครื่องมือ (โดยใส่แผ่นเจียร์ใหม่) ให้ถือเครื่องมือให้อยู่ในบริเวณที่ปลอดภัย และ ให้เครื่องมือหมุนเป็นเวลา 1 นาที ซึ่งถ้าหากแผ่นเจียร์ชำรุด แต่ท่านไม่สังเกตเห็นแผ่นเจียร์นั้นก็ควรจะแตกหักภายในเวลาอันชยกว่า 1 นาที ห้ามเปิดเครื่องมือเมื่อมีบุคคลอื่นอยู่ใกล้แผ่นเจียร์ รวมไปถึงผู้ที่ใช้งานเครื่องมือนี้ด้วย
- ในการใช้งาน ให้หลีกเลี่ยงการกระแทกกับแผ่นเจียร์ หรือ เจียร์ในบริเวณที่ขรุขระ ถ้าหากเกิดขึ้นโดยไม่เจตนา ให้ปิดเครื่องมือ และ ตรวจดูแผ่นเจียร์
- ให้ใส่กระบังสะเก็ดกับแผ่นเจียร์ชนิด depressed-centre หรือ ชนิดถ้วย ทุกครั้ง
- ให้ทำความสะอาดเครื่องมือของท่านเป็นระยะๆ ตามขั้นตอนที่อยู่ในส่วนของคู่มือบำรุงรักษา



- อย่าใช้อุปกรณ์ประกอบหรือชิ้นส่วนใดที่ไม่ได้แนะนำให้ใช้กับเครื่องมือนี้
- ตรวจสอบให้แน่ใจว่าความเร็วสูงสุดที่อุปกรณ์ประกอบแต่ละตัวแนะนำให้ใช้มากกว่าความเร็วสูงสุดของเครื่องมือตามที่ระบุในป้ายชื่อ
- อุปกรณ์ประกอบจะต้องประกอบ และ ใช้ให้สอดคล้องกับขอบบังคับของ 'การใช้แผ่นขัด/เจียร'

### การเริ่มใช้งาน (ภาพ B)

- เมื่อจะเดินเครื่อง ให้กดปุ่มล็อกสวิตช์(ให้เปิด) ไว้ แล้วจึงกดสวิตช์ เปิด/ปิดค้างไว้
- เมื่อจะหยุดเครื่อง ให้ปล่อยสวิตช์เปิด/ปิด

### การเดินเครื่องอย่างทั่วถึง

- เมื่อจะเดินเครื่องอย่างต่อเนื่อง ให้เลื่อนปุ่มล็อก(ให้เปิด)มาตามทิศที่ลูกศรชี้หลังจากกดสวิตช์เปิด/ปิด แล้วจึงปล่อยสวิตช์เปิด/ปิด เมื่อจะหยุดเครื่อง ให้กดสวิตช์เปิด/ปิดแล้วปล่อย

### การประกอบ แล: กวดกระบังสะเกิด (ภาพ C)

กระบังสะเกิดจะไม่ต้องใช้เมื่อนำเครื่องมือมาใช้งานขัดกระดาษทรายโดยใช้แผ่นยางรอง การประกอบແມ່กันให้ทำดังนี้ :

- วางແມ່กันกระบังสะเกิดให้ตรงกับร่องบนฐานของชุดเจียร (ภาพ C1)
- กดกระบังสะเกิดลง และ หมุนไปตามทิศที่ลูกศรชี้ (ภาพ C2)
- ที่ตำแหน่งนี้ แผลงกระบังสะเกิดจะถูกล็อกไม่ให้เลื่อนหลุดออกมา และ ยังหมุนได้ 10°

### การกวดกระบังสะเกิดให้ทำดังนี้:

- วางเครื่องมือคว่ำลงบนพื้นเรียบๆ
- เอามือจับเครื่องมือไว้แล้วหมุนແມ່กันไปตามทิศของลูกศรด้วยนิ้วหัวแม่มือ (ภาพ C3) พร้อมทั้งนั้นให้ใช้ไขควงหรือ วัตถุปลายแหลม กดเข็มล็อกในของจนกระทั่งเห็นร่องบนແມ่งกัน (ภาพ C4)
- แผลงกัน ซึ่งขณะนั้นไม่ได้ถูกปุ่มลอคยึดไว้ ก็จะให้หัวแม่มือดันออกมาได้



ระวัง! การประกอบ และ การถอดແມ่งกัน จะต้องกระทำในขณะที่ถอดปลั๊กออกเท่านั้น การใช้งานเครื่องมือโดยไม่มีແມ่งกันจะทำได้กรณีเดียวคือ เมื่อใช้งานขัดกระดาษทรายโดยใช้แผ่นยางรองขัดเท่านั้น

### การประกอบແມ່ยางรองขัด (ภาพ D)

แผ่นยางรองขัดเป็นอุปกรณ์ประกอบที่แยกขายต่างหาก การประกอบແມ่งยางรองขัดให้ทำดังนี้ :

- ถอดปลั๊กออกก่อน
- ถอดกระบังสะเกิดออกจากเครื่องมือ
- ใส่แผ่นยางรองขัดเข้ากับแกนหมุนของเครื่องมือ (ภาพ D1) โดยไม่ต้องใช้หน้าแปลนตัวใน ตามภาพ E
- วางແມ่งกระดาษทรายลงบนแผ่นยางรองขัด
- ใช้หน้าแปลนตัวนอกพร้อมกวดແມ่งยางรองเข้ากับแกนหมุน (ภาพ D2)
- หมุนແມ่งยางรอง และ ขณะเดียวกัน ให้กดล็อกแกนหมุนซึ่งอยู่ที่หน้าชุดเกี่ยวจนกว่าจะได้อำแหน่งล็อกและยึดแกนหมุนไว้ได้ (ภาพ D3)
- ใช้นิ้วกดล็อกแกนหมุนไว้ แล้วขัดต้นนอกหน้าแปลนตัวนอกด้วยประแจที่ให้มาให้แน่น
- ปล่อยปุ่มลอคแกนหมุน เสียบปลั๊กแล้วใช้งานได้
- หากจะถอดແມ่งยางรองออกก็ให้ทำตามคำแนะนำนำย้อนกลับไป



ระวัง! เมื่อใช้เครื่องมือนี้สำหรับขัดกระดาษทราย ใช้กำลังของกระดาษทรายสัมผัสชิ้นงานเพียงส่วนเดียว และ อย่าใช้แรงกดมากนัก

### การประกอบແມ່หินเจียร/ແມ่งตัด (ภาพ E)

ແມ่งหินเจียร และ แผลงตัดเป็นอุปกรณ์ประกอบที่แยกขายต่างหาก การประกอบແມ่งหินเจียร/แผลงตัดให้ทำดังนี้ :

- ถอดปลั๊กออกก่อน
- วางหน้าแปลนตัวในเข้ากับ แกนหมุนของเครื่องมือ (ภาพ E1)
- วางແມ่งหินเจียรหรือแผลงตัดเข้ากับหน้าแปลน
- ชันหน้าแปลนในเข้ากับแกนหมุนของเครื่องมือ (ภาพ E2)
- หมุนແມ่งหินเจียร/แผลงตัด ขณะเดียวกันก็กดล็อกแกนหมุน (อยู่ด้านหน้าของชุดเจียร) ให้สุด จนกระทั่งได้อำแหน่งล็อกและยึดแกนหมุนกับที่

- แล้วยื่นหน้าแปลนตัวนอกให้แน่นด้วยประแจที่ใหม่มา (ภาพ E3)
- ปลอยปุ่มล็อคแกนหมุน เสียบปลั๊กแล้วใช้งานได้



#### ระวัง!

การใช้แผ่นหินเจียร์: เมื่อใช้ depressed center disc ให้วางเครื่องมือในแนวประมาณ 30° เมื่อจะขัดหยาบ และ วางในแนว 15° เมื่อขัดละเอียด  
การตัด: เมื่อใช้แผ่นตัด ให้เดินแผ่นตัดในมุมที่ต้องการ รักษามุมตัดให้คงที่ตลอดการตัด และ อยาซึนแนวตัดของเครื่อง

### การประกอบแปรงลวด

แปรงลวดสามารถขันเข้ากับแกนหมุนของเครื่องมือโดยไม่ต้องใช้หน้าแปลน

### มือจับด้านข้าง (ภาพ F)

มือจับด้านข้างสำหรับเครื่องขัดของท่านสามารถติดเข้ากับชุดเจียร์ได้ทั้งสองด้าน

### เมื่อแปรงถ่านสึกหรอ

หากแปรงถ่านสึกจนหมดแล้ว เครื่องจะหยุดโดยอัตโนมัติเพื่อป้องกันความเสียหายของชิ้นส่วนภายในของเครื่องมือ

### การเปลี่ยนแปรงถ่าน (ภาพ G)

- ถอดปลั๊กออกก่อน
- ถูคดสกรูทั้งสองตัว แล้วถอดฝาครอบออก (ภาพ G1)
- จากนั้นยกสปริงขึ้นแล้วเลื่อนแปรงถ่านออกจากจุดยึด ถอดสายไฟออกจากขั้ว (ภาพ G2)
- วัดความยาวของแปรงถ่าน หากสั้นกว่า 6 มม. ให้เปลี่ยนแปรงถ่านโดยใส่ไปตามตำแหน่งเดิม
- ยึดบริเวณจุดต่อให้แน่นตรวจสอบและปรับตำแหน่งสปริงให้เหมาะสม แปรงถ่านที่นำมาเปลี่ยนจะต้องเปลี่ยนทั้งสองข้างถึงแม้ว่าอีกข้างหนึ่งจะเหลือมากกว่า 6 มม. ก็ตาม

- วางฝาปิดเข้าที่ ตรวจสอบดูว่าสายไฟข้างในไม่ติดขัด ไม่พันกัน หรือ เสียหาย และ ตรวจสอบฉนวนหุ้มของขั้วสายไฟว่าอยู่ในตำแหน่งที่ถูกต้อง
- ขันสกรูทั้งสองตัวให้แน่น เสียบขั้วให้แน่น ตรวจสอบว่าเครื่องมือทำงานตามปกติ ก่อนจะนำไปใช้งานจริง ให้เครื่องมือหมุนสักสองสามนาทีเพื่อให้แปรงถ่านเข้าที่

### การดูแลรักษาเครื่องมือ

ดูแลรักษาให้กระบังสะเก็ด ช่องระบายอากาศ และ ตัวถังของมอเตอร์ ให้ปราศจากฝุ่นละออง และ สิ่งสกปรก โดยทำความสะอาดด้วยผ้าสะอาด และ เป่าด้วยลม การสะสมของฝุ่นละอองที่มีน้ำมันและโลหะอาจจะเป็นสื่อทำให้กระแสไฟจากอุปกรณ์ภายในรั่วออกมายังโลหะด้านนอก

การใช้งานเกินกำลังจะทำให้ความเร็ว และ ประสิทธิภาพลดลงอย่างมาก และ จะทำให้เครื่องมือร้อน ในกรณีเช่นนี้ให้ปลอยให้เครื่องมือทำงานตัวเปล่าเป็นเวลา 1-2 นาที จนกระทั่งพัดลมที่อยู่ภายในเครื่องทำให้อุณหภูมิลดลงเป็นปกติ การเปิดปิดสวิตช์เมื่อมีโหลดจะทำให้อายุการใช้งานของสวิตช์สั้นลง



#### การหล่อลื่น

เครื่องมือของท่านไม่ต้องการการหล่อลื่นใดๆเพิ่มเติม



#### การทำความสะอาด

ดูแลให้ช่องระบายอากาศเปิดโล่ง และ ทำความสะอาดตัวเครื่องอย่างสม่ำเสมอด้วยผ้านุ่มๆ



## การบริการหลังการขายของ DEWALT

เครื่องมือไฟฟ้าทั้งหมดของ DEWALT ได้รับการทดสอบก่อนออกจากโรงงาน แต่อย่างไรก็ตาม ถ้าหากเครื่องมือนั้นต้องได้รับการซ่อมแซม ให้ติดต่อกับตัวแทนขายของท่าน หรือส่งให้กับศูนย์บริการของ DEWALT ที่อยู่ใกล้บ้านท่าน

### การรับประกัน

#### รับประกัน 1 ปี

เครื่องมือสำหรับใช้ในอุตสาหกรรมหนักของ DEWALT จะรับประกันเป็นเวลา 1 ปี นับจากวันที่ซื้อ ความผิดพลาดที่เกิดจากชิ้นส่วน และการผลิต จะได้รับการซ่อมแซมโดยไม่มีคิดมูลค่า ทั้งนี้โปรดส่งเครื่องมือทั้งหมด ไปยังศูนย์บริการ หรือ หน่วยงานบริการที่ได้รับอนุญาตของ DEWALT (ค่าขนส่งจะต้องจ่ายชำระล่วงหน้า)

การรับประกันนี้จะไม่ครอบคลุมถึง:

- อุบัติการณ์ประกอบ
- ความเสียหายที่มีสาเหตุจาก การซ่อมแซม หรือ พยายามซ่อมแซม มาจากที่อื่น
- ความเสียหายเนื่องจากการใช้งานผิดประเภท การละเลย การเปลี่ยนแปลง หรือ การปรับเปลี่ยน

#### สัญญาในการบริการ 1 ปี โดยไม่มีมูลค่า

นอกจากการรับประกัน 1 ปีเต็มแล้ว เครื่องมือของ DEWALT ทุกเครื่อง จะมีสัญญาในการบริการฟรี 1 ปี ในเรื่องของการซ่อมแซม และการบำรุงรักษา เป็นเวลา 1 ปี นับจากวันที่ซื้อ ทั้งนี้จะต้องแสดงหลักฐานวันที่ซื้อให้ชัดเจนด้วย

#### รับประกันความพึงพอใจในระยะเวลา 30 วัน

ถ้าหากท่านไม่พึงพอใจกับประสิทธิภาพของเครื่องมือสำหรับใช้ในอุตสาหกรรมหนักของ DEWALT ท่านเพียงแต่ส่งเครื่องมือนั้นกลับไปยังผู้ขายภายในระยะเวลา 30 วัน ทั้งนี้จะต้องแสดงหลักฐานวันที่ซื้อให้ชัดเจนด้วย

#### การจัดการกับเครื่องมือที่ใช้ และ ปรากฏกับสิ่งแวดล้อม

โปรดนำเครื่องมือเก่าของท่านไปให้กับตัวแทนบริการที่ได้รับอนุญาตของ DEWALT ทั้งนี้เพื่อจะได้ทำการทำลายเครื่องมือนั้นโดยไม่เกิดผลกระทบต่อสิ่งแวดล้อม

## 안전지침

본 전동 공구를 사용할 때 귀하의 나라에서 적용될 수 있는 안전 규칙을 항상 준수하시어 화재 위험, 전기 쇼크 및 부상을 줄이십시오. 이 제품을 작동하시기 전에 다음 안전 지침을 읽으십시오. 이 안전 지침을 안전한 장소에 보관하십시오

### 일반사항

- 1 **작업 장소를 깨끗이 유지하십시오.** 흐트러진 장소와 벤치는 사고를 일으킬 수 있습니다.
- 2 **작업장 환경을 고려하십시오.** 동력공구를 높은 습도나 비에 노출시키지 마십시오. 작업장의 조명 상태를 최적으로 유지하십시오. 본 전동 공구를 가연성 액체나 기체가 있는 곳에서 사용하지 마십시오.
- 3 **전기 쇼크에 대해 보호하십시오.** 접지된 표면에 본체가 접촉되지 않게 하십시오. (예: 파이프, 라디에이터, 오리 기구 및 냉장고)
- 4 **어린이의 손에 닿지 않도록 하십시오.** 어린이가 본 공구나 코드를 접촉하지 않도록 하십시오. 모든 사람이 작업장으로부터 떨어지게 하십시오.
- 5 **옥외용 연장코드.** 본 공구를 옥외에서 사용할 때 반드시 옥외용 연장 코드를 사용하도록 하십시오.
- 6 **사용하지 않은 공구는 보관하십시오.** 사용하지 않을 때에는 본 동력 공구를 건조한 장소에 안전하게 보관하고 어린이의 손에 닿지 않도록 해야 합니다.
- 7 **안전한 작업복을 착용하십시오.** 헐렁한 옷이나 보석류는 본체의 동작 부위에 걸리는 수가 있으니 착용하지 마십시오. 옥외 작업을 할 때는 고무 장갑이나 미끄러지지 않는 신발을 착용하는 것이 더욱 좋습니다. 머리카락 보호용 모자를 착용하여 머리카락이 작업에 방해가 되지 않도록 하십시오.
- 8 **보안경 착용.** 작업으로 먼지나 부유하는 미립자를 만드는 경우 보안경과 함께 안전 마스크나 먼지 마스크를 사용하십시오.
- 9 **최대 음압을 숙지하십시오.** 85dB(A) 음압을 넘으면 청각 보호를 위한 적절한 조치를 취하십시오.
- 10 **가공용 물건을 고정시키십시오.** 클램프나 바이스를 사용하여 가공품들을 고정시키십시오. 가공품들을 안전하게 고정시켜 작업중 불편함이 없도록 하십시오.
- 11 **적정 거리를 유지하십시오.** 항상 안전 거리를 유지하여 균형을 잃지 않도록 하십시오.
- 12 **부주의에 의한 시동을 금하십시오.** 스위치에 플러그가 접지된 공구를 들고 다니지 마십시오. 플러그를 꽂았을때 스위치가 해제되어 있는지 확인하십시오.
- 13 **항상 주의를 기하십시오.** 작업 진행 상황을 항상 주시하십시오. 기본적인 안전 사항을 지키십시오. 피로할 때는 본 공구를 작동하지 마십시오.
- 14 **공구 분리.** 작업자가 작업장을 떠나기 전에는 전원을 차단하고 공구가 완전히 멈출 때까지 기다리십시오. 서비스를 받거나 부품을 바꿀 때와 같이 공구를 사용하지 않을 때에는 플러그를 뽑으십시오.
- 15 **조정키와 렌치를 제거하십시오.** 본 공구를 작동하시기 전에 조정키와 렌치가 공구로부터 제거되어 있는지를 항상 점검하십시오.
- 16 **적절한 공구를 사용하십시오.** 과도한 작업에 따른 기계의 부담을 줄이려면 작은 공구와 부속품을 억지로 사용하지 마십시오. 본 공구 본래의 설계 등급에 따른 작업을 해야 보다 안전합니다. 설명서에 추천한 것 이외의 어떠한 부품이나 부착물을 사용하면 부상의 위험이 있습니다.
- 17 **코드를 함부로 다루지 마십시오.** 본 공구의 코드를 끌거나 소켓에서 분리시키기 위해 억지로 잡아당기지 마십시오. 열, 인화성 물질 및 날카로운 것에서 떨어져 있게 해야 합니다.
- 18 **공구를 잘 보존하십시오.** 작업의 향상과 안전함을 위해 공구를 쾌적하고 깨끗하게 보존해야 합니다. 유지관리와 부품 교환을 할때는 관련 지침을 따르십시오. 정기적으로 공구를 검사하고 손상되었으면 지정된 DeWALT 수리센터에서 수리하십시오. 연장 코드를 정기적으로 검사하고 손상되었으면 교체하십시오. 모든 제어 장치를 건조하고 깨끗하도록 유지하고 기름이나 그리스가 없게 보관하십시오.
- 19 **손상된 부품을 점검하십시오.** 본 공구를 사용하기 전에 공구가 정상적으로 작동하는지 검사하여 본래의 기능에 맞게 작동될 수 있도록 점검하십시오. 움직이는 부품이 잘못 설치되어 있거나 고정되어 있는지 점검하십시오. 공구의 작동에 영향을 미치게 될 소지가 있는 부품의 파손 여부와 다른 제반 사항들을 점검하십시오. 스위치가 손상되었으면 본 공구를 사용하지 마시고 지정된 DeWALT사 수리센터에서 스위치를 교환하십시오.
- 20 **공구의 수리는 지정된 DeWALT사 수리센터에서 하십시오.** 본 동력 공구는 관련 안전규칙을 준수합니다. 위험을 피하기 위해 전기제품은 공인력있는 기술자에게 수리하십시오.

**앵글 그라인더**

DW806 / DW813 / DW823

**패키지 내용물**

다음과 같은 내용물이 들어 있습니다.

앵글 그라인더 1 대  
 사이드 핸들 1 개  
 그라인드 작업 휠 1 개  
 사용설명서 1 부  
 보증 카드 1 부

- 운송 중 발생될 수 있는 공구, 부품 또는 부속품 등이 손상되었는지 검사해 보십시오.
- 사용 전에 이 설명서를 충분히 숙지하고 이해하십시오.

**설명 (그림 A)**

1. 켜짐/꺼짐 (ON/OFF) 스위치
2. 꺼짐 잠금 (Lock-OFF) 버튼
3. 가드
4. 스피들 잠금
5. 사이드 핸들
6. 켜짐 잠금 (Lock-ON) 버튼

이 설명서 전체에 걸쳐 다음 기호가 사용됩니다.



이 설명서의 지시 사항을 지키지 않을 경우 신체적 상해, 인명 상실, 공구 손실 등의 위험을 나타냅니다.



전기 쇼크 위험을 나타냅니다.



음압이 85 dB(A)을 초과하면 청각 보호를 위한 적절한 조치를 취하십시오.

**전기적 안전**

본 전동 모터는 한가지 전압용으로만 설계되어 있습니다. 전원 공급이 명판 위의 전압과 일치하는지를 항상 확인하십시오. DeWALT사 공구는 이중으로 절연되어 있어 접지선이 필요 없습니다.



이 장비의 연장 코드가 손상되면 반드시 제조회사가 지정한 수리점에서만 교체해야 하는데 특수한 용도인 공구에서만 사용되기 때문입니다.

**연장 코드**

국가 전기 당국에 의해 승인된 연장 코드만을 사용하십시오. 연장 코드를 사용하기 전에 와이어가 느슨한지, 노출되었는지, 절연이 손상되었는지, 또는 설치에 하자가 있는지 등을 검사하십시오. 필요한 경우 코드를 교환하십시오.

폐사의 지속적인 제품 개발로 개선된 경우에는 제품과 사용 설명서 내용이 다소 다를 수 있습니다.

**그라인더 사용할 때 안전 규칙**

1. 이 공구를 사용할 때는 항상 보안경이나 기타 눈 보호기를 착용해야 합니다.
2. 그라인드 작업 중에는 항상 가드가 제 위치에 있도록 하십시오.
3. 공구의 명판 위에 표시된 “NO LOAD RPM (무부하 rpm)” 만큼 최대 회전 속도를 내는 그라인드 휠만을 사용하십시오.
4. 사용하고자 하는 휠이 균열이나 흠이 있는지 사용 전에 검사하십시오. 균열이나 흠이 분명히 나타나는 경우에는 휠을 버려야 합니다. 또한 공구를 떨어뜨렸을 때에도 휠을 검사해 보십시오.
5. 휠을 부착하였거나 교체하였을 때에는 공구를 시동한 후 보호된 구역 안에서 1분 동안 공회전 시킵니다. 휠에 균열이나 흠이 있으면 1분도 채 못되어 휠이 파열 될 가능성이 있습니다. 따라서 사용자는 휠과 동일 선상에서 작업해서는 안됩니다. 다른 사람도 동일선 상에 있어서는 안됩니다.
6. 사용 중에 휠을 튀게 하거나 거칠게 다루어서는 안됩니다. 휠이 튀 경우 공구 작동을 중단시키고 휠을 검사하십시오.
7. 가운뎃가 들어간 가드나 플래어링 컵 그라인드 휠을 항상 사용하십시오.
8. 보수 유지 절차에 따라 공구를 정기적으로 청소하십시오.



- 본 공구용으로 추천하지 않은 부속품이나 부품은 사용하지 마십시오.
- 각 부속품의 최대 추천 속도가 본 공구 명판 위에 있는 작동 속도를 반드시 넘도록 하십시오.
- 적합한 부속품을 “연마용 휠 규정”에 따라 사용해야 합니다.

### 시동 (그림 B)

- 본 공구를 시동하려면 꺼짐 잠금 (Lock-OFF) 스위치를 누른 후 켜짐/꺼짐 (ON/OFF) 스위치를 누르십시오.
- 본 공구를 정지시키려면 켜짐/꺼짐 (ON/OFF) 스위치를 눌렀던 것을 해제하십시오.

### 연속 가동

- 계속 가동하려면 켜짐/꺼짐 (ON/OFF) 스위치를 누른 후 켜짐 잠금 (Lock-ON) 버튼을 화살표 방향으로 움직인 후 켜짐/꺼짐 (ON/OFF) 스위치를 눌렀던 것을 해제하십시오. 본 공구를 중지시키려면 켜짐/꺼짐 (ON/OFF) 스위치를 누른 후 해제하십시오.

### 가드 부착과 제거 (그림 C)

받침 패드로 연마 작업용으로 본 공구를 사용할 때는 가드가 필요하지 않습니다. 다른 용도로 가드를 부착하실 때는 다음과 같이 실시하십시오.

- 기어 케이스의 베이스에 고정된 브래킷에 구멍이 있는 가드에 돌출부를 맞추십시오 (그림 C1).
- 가드를 기어 케이스 쪽으로 아래로 누르신 후 화살표 방향으로 회전시키십시오 (그림 C2).
- 이 위치에서 구멍 속에 자리잡은 가드 잠금 핀으로 가드를 고정시키고, 105°로 회전하게 합니다.

가드를 제거하려면 다음과 같이 하십시오:

- 본 공구를 평면 위에 위를 향하도록 놓으십시오.
- 공구를 손에 들고 엄지손가락으로 화살표 방향으로 가드를 회전시키십시오 (그림 C3). 동시에 드라이버나 뾰족한 기구를 사용하여 잠금 핀을 구멍 속에 눌러 가드 위의 돌출부가 보이게 하십시오 (그림 C4).
- 가드가 잠금 핀에 의해 더 이상 고정되지 않으면 엄지손가락으로 눌러 해제하십시오.



**중요 사항** 가드를 장착하거나 제거할 때는 반드시 플러그를 콘센트로부터 빼 낸 후에만 실시하십시오. 가드를 부착시키지 않고 공구를 사용하는 경우는 고무 받침 패드로 연마 작업을 하는 경우에만 허용됩니다.

### 고무 받침 패드 부착 (그림 D)

고무 받침 패드는 옵션으로 이용할 수 있습니다 (대부분 국가에서 해당함). 패드를 부착하려면 다음과 같이 하십시오:

- 플러그를 콘센트에서 빼 내십시오.
- 가드를 본 공구로부터 벗겨 내십시오.
- 받침 패드를 기계 스피들에 삽입하십시오 (그림 D1). 그림 E의 내부 구동 플렌지는 필요 없습니다.
- 연마 디스크를 패드 위에 두십시오.
- 패드를 부착시킨 상태로 두 개의 그림 구멍이 있는 외부 플렌지를 기계 스피들에 나사를 조여 고정시키십시오 (그림 D2).
- 스피들 잠금 장치를 잠기는 위치에 두고 스피들을 고정시킬 때까지 기어 케이스 앞에 있는 스피들 잠금을 동시에 누르면서 패드를 회전시키십시오 (그림 D3).
- 손가락을 스피들 잠금 장치에 단단히 넣고 제공해 드린 핀 스페너로 외부 플렌지를 조이십시오.
- 스피들 잠금 장치를 해제하십시오. 본 공구 플러그를 콘센트에 꽂고 작업을 시작하십시오.
- 받침 패드를 제거하시려면 위의 지시 내용을 역순으로 실행하십시오.



**중요 사항** 연마 작업용으로 본 공구를 사용할 때는 디스크 부분만을 작업물에 접촉시키고 높은 압력을 가하지 마십시오.

### 그라인드 작업 휠/ 절단 디스크 장착 (그림 E)

그라인드 작업 휠과 절단 디스크는 옵션으로 사용할 수 있습니다 (대부분 국가에 해당함). 그라인드 작업 휠/디스크를 부착하려면 다음과 같이 하십시오:

- 플러그를 콘센트로부터 빼 내십시오.
- 내부 구동 플렌지를 기계 스피들의 드라이브 플랫 위에 놓으십시오 (그림 E1).
- 휠이나 디스크를 플렌지에 자리잡게 하십시오.
- 나사가 있는 플렌지를 스피들에 나사로 조이십시오 (그림 E2).
- 스피들 잠금 장치가 잠기는 위치에 자리잡고 스피들을 고정시킬 때까지 스피들을 (기어 케이스 앞에 있음) 동시에 완전히 누르면서 연마 작업 휠/디스크를 회전시키십시오.

- 나사가 있는 플렌지를 공급해 드린 두 개의 핀이 있는 스페너로 단단히 조이십시오 (그림 E3).
- 버튼을 해제하십시오. 공구 플러그를 콘센트에 꽂고 작업을 시작하십시오.



**중요 사항!**

연마 작업용 : 누르지 않는 센터 디스크를 사용할 때 거친 작업에서는 약 30도 각도, 마무리 작업에서는 약 15도 각도에서 이 공구를 사용하십시오.

절단 작업용 : 편편한 절단 휠을 사용할 때에는 반드시 작업물을 절단되는 각도에서만 다가가 붙이십시오. 완전히 절단 할 때까지 이 각도를 계속 유지하시고 휠을 옆에서 압력을 가하지 마십시오.

**와이어 컵 브러시 부착**

와이어 컵 브러시는 플렌지를 사용하지 않고 기계 스피들에 직접 나사를 조입니다.

**사이드 핸들 (그림 F)**

이 앵글 그라인더의 사이드 핸들은 기어 케이스의 어느 한 면에 부착될 수 있습니다.

**절단 브러시**

브러시가 완전히 닳으면 자동적으로 멈추고 공구 내부에 손상을 주지 않습니다.

**브러시 교체 (그림 G)**

- 플러그를 콘센트로부터 빼 내십시오.
- 두 개의 나사를 완전히 풀고 두 개의 하우징을 제거하십시오 (그림 G1).
- 그 다음 스프링 끝을 들어올리고 브러시를 홀더 밖으로 밀어내어 커넥터를 터미널로부터 빼 내십시오 (그림 G2).
- 브러시 길이를 점검하여 6 mm 이하이면 교체하십시오. 닳은 브러시를 동일한 홀더에서 교체시키고 제거했던 위치에 두십시오.

- 기존 브러시나 새 브러시를 삽입하고 커넥터를 단단히 조이고 스프링을 제 위치에 두고 다른 브러시를 점검하십시오. 브러시를 교체할 때 그 중 하나의 길이가 여전히 6 mm 이상이더라도 반드시 두 개 모두 교체하십시오.
- 두 개의 하우징을 교체하십시오. 내부 배선이 막힌다든가 손상되는 일이 결코 없어야 하고 커넥터 케이블을 붙드는 고리가 정확한 위치에 있는지 점검하십시오.
- 두 개의 나사를 단단히 다시 붙드십시오. 위에 기술한 대로 플러그를 커넥터에 꽂으십시오. 사용 전에 본 공구가 작동하는지 점검하고 이 삼분 동안 가동시켜 브러시가 제 자리를 잡게 하십시오.

**공구 손질**

가드, 공기 구멍, 모터 하우징 등은 깨끗한 헝겊으로 닦고 공기로 불어 내어 먼지와 오염 물질을 깨끗이 청소하십시오. 금속 미립자가 들어 있는 오일을 과다하게 사용하면 전류를 내부로부터 노출된 금속 부품으로 흐르게 합니다.

과부하는 속도와 효율성을 현저히 떨어뜨리고 장치가 뜨거워지므로, 이 경우에는 내장된 팬으로 정상 작업 온도로 식혀 질 때까지 일 이분 동안 공구를 무부하 상태에서 가동합니다. 부하 상태에서 본 공구 스위치를 켜다가 끄는 일을 하면 스위치 수명을 크게 단축시킵니다.



**윤활**

본 동력공구는 추가로 윤활유를 공급할 필요가 없습니다.



**청소**

환기구멍을 깨끗이 하고 부드러운 헝겊으로 하우징을 규칙적으로 청소하십시오.

## DEWALT 애프터 서비스

DeWALT 제품은 모두 출고 전에 철저히 검사합니다. 동력공구를 수리하려면 대리점에 연락하거나 가까운 DeWALT 서비스 센터로 가져가십시오.

### 보증

#### 완전 1년 보증

DeWALT사의 산업공구는 구입일로부터 1년간 보증됩니다. 불량재료나 기술에 기인한 모든 결함은 비용 부담없이 수리해 드립니다. DeWALT 제품의 보증 수리가 가능하도록 Black & Decker사의 산업공구부와 계약이 체결되어 있습니다. 폐사의 부담으로 DeWALT사 지정 서비스센터, Black & Decker 지정 서비스센터 또는 자격 있는 서비스점 어느 곳에서나 전체 장비를 반환하실 수 있습니다. 본 보증은 다음 사항에 대해서는 적용하지 않습니다.

- 부속품
- 다른 곳에서 수리가 행해졌거나 시도된 경우에서 발생한 손상
- 오용, 방치, 낡거나 마모됨, 용도 변경이나 수정에 의한 손상

#### 무료 1년 수리계약

완전 1년 보증 외에 모든 DeWALT사 공구는 '무료 1년 수리계약'을 원칙으로 하고 있습니다. 구입 후 최초 1년간은 모든 수리에 대해 무료 노동력을 제공합니다. 구입날짜 증명서류를 제시해야 합니다.

#### 30일 이내 전액 환불보증

DeWALT사의 고성능 산업공구에 대해 완전히 만족하지 않을 경우 교환 가능시기 30일 이내에 판매자에게 다시 반납하십시오. 구입날짜 증명서류를 제시해야 합니다.

#### 불필요한 공구와 환경

오래된 공구는 DeWALT사 지정 수리대리점으로 가져가시면 그곳에서 환경 안전방식으로 폐기처분 합니다.

**SERVICE CENTER  
LOCATOR**



<p><b>China</b> 中华人民共和国</p>		
Beijing:	Room 103, Unit 2, Building 2, Yard 3, FangQunYuan YiQu, Fangzhuang, FengTai District, Beijing. Post Code: 100078	☎ (86-10) 6552 2788 ☎ (86-10) 6552 2799
北京市:	北京市丰台区方庄群园一区3号院2号楼2单元103号。邮编:100078	☎ (86-10) 6552 2425
Shanghai:	419 North Zhong Shan Road, Shanghai 200070	☎ (86-21) 5308 9566
上海市:	上海市中山北路419号。邮编:200070	☎ (86-21) 5308 9565
Guangzhou:	Unit 14, No. 1, Huimei Street, Guangzhou Dadaonan Road, Haizhu District, Guangzhou, China (510310)	☎ (86-20) 8190 3148
广州市:	广州市海珠区广州大道南路汇美街1号之14号铺。邮编:510310	☎ (86-20) 8190 3150 ☎ (86-20) 8190 3143
<p><b>Hong Kong</b> 中國香港</p>		
	22/F, Millennium City 3, 370 Kwun Tong Road, Kwun Tong, Kowloon, Hong Kong. 香港九龍觀塘道370號創紀之城3期22樓	☎ (852) 2796 6312 ☎ (852) 2331 3910
<p><b>Indonesia</b></p>		
	P.T. Ditosa, No.34 Jalan Batu Ceper Jakarta, 10120, Pusat Indonesia.	☎ (62-21) 380 6688 ☎ (62-21) 385 3458
<p><b>Korea</b></p>		
	1st Fl. Chongam Bldg. 834-46, Yeoksam-dong, Gangnam-gu Seoul, Korea 서울시 강남구 역삼동 834-46 청암빌딩 1층	☎ 080-515-0909 ☎ (82-2) 3016 9206 ☎ (82-2) 3016 9203
<p><b>Malaysia</b></p>		
East:	Lot 1149, Muara Tabuan Light Industrial Park, Off Jalan Setia Raja, 93748 Kuching, Sarawak, Malaysia.	☎ (60-82) 366113 ☎ (60-82) 366559
West:	No. 15-1 & 15-2, Jalan SS 23/15, Taman SEA, 47400 Petaling Jaya, Selangor Darul Ehsan, Malaysia.	☎ (60-03) 7880 1913 ☎ (60-03) 7880 5191
<p><b>Philippines</b></p>		
	Unit 1B, Ground Floor, VSK Corporate Circle Building, No.2 Acacia Lane Corner Shaw Boulevard, Mandaluyong City, 1552 Philippines.	☎ (632) 533 9694/95 ☎ (632) 533 9786 ☎ (632) 533 7746
<p><b>Singapore</b></p>		
	No. 20 Toh Guan Road, #05-00, CJ GLS Building, Singapore 608839	☎ (65) 6747 1711 ☎ (65) 6565 0363
<p><b>Taiwan</b></p>		
	1/F, No.74 Chou Tze Street, Nei-Hu District (114), Taipei, Taiwan. 台北市 (114) 內湖區洲子街74號1樓	☎ (886-2) 8751 1375 ☎ (886-2) 8751 1371
<p><b>Thailand</b></p>		
	488/14 Moo 1 Poochaosamingprai Road, Samrong-Tai, Muang Samutprakarn, Samutprakarn 10270, Thailand 488/14 หมู่ 1 ถนนปู่เจ้าสมิงพราย ตำบลสำโรงใต้ อำเภอเมืองสมุทรปราการ จังหวัดสมุทรปราการ 10270	☎ (66) 2755-0600 ☎ (66) 2755-0455
<p><b>Vietnam</b></p>		
	Hong Bao Corporation, No 3B Tun Duc Thang Street, District 01, Ho Chi Minh City, Vietnam	☎ (848) 910 5711 ☎ (848) 910 5702

## DeWALT 1-YEAR WARRANTY

DeWALT warrants this product for one year from date of purchase. We will repair, without charge, any defects due to faulty material and/or workmanship.

Please return the complete unit, transportation prepaid, to any local DeWALT Service Center with valid DeWALT warranty card **AND** invoice/receipt copy.

This warranty card **MUST** be completed with the following information:

- customer name, telephone no.:
- dealer name and shop;
- date of purchase;
- tool model and serial no.

This warranty **DOES NOT** apply to:

- normal wear and tear parts: e.g. carbon brush, cord, plug, chuck and battery;
- attachments and accessories;
- unauthorized repair, alteration/modification;
- damage caused by foreign objects, substances, accidents, obvious misuse, abuse, neglect and improper applications.

These terms only cover the general warranty policy in the Asia region. Details may vary from country to country. Please consult the local DeWALT service center for more details.

## DeWALT บัตรรับประกัน 1 ปี

DeWALT รับประกันผลิตภัณฑ์เป็นเวลา 1 ปีนับจากวันที่ซื้อของ บริษัทจะซ่อมโดยไม่คิดค่าใช้จ่าย ค่าความบกพร่อง

ใด ๆ ที่เกิดจากข้อบกพร่องของวัสดุ และ/หรือ มีข้อบกพร่องการผลิต

โปรดส่งอุปกรณ์คืนผู้ผลิตทันทีโดยจ่ายเงินล่วงหน้า โปรดยื่นบัตรการของ DeWALT พร้อมกับบัตรรับประกันตัวจริง และสำเนาใบเสร็จรับเงินจากผู้ขาย

บัตรรับประกันนี้ประกอบด้วยข้อมูลดังต่อไปนี้อย่างสมบูรณ์ :

- ชื่อลูกค้า เบอร์โทรศัพท์
- ชื่อผู้ขาย และ ร้านค้า
- วันที่ซื้อของ
- รุ่นของเครื่องมือ และ หมายเลขเครื่อง

การรับประกันนี้ใช้ได้กับ :

- การสึกหรอตามปกติ และ ชิ้นส่วนที่สึก เช่น แพร่ถ่าน สายไฟ ปลั๊ก หัวจับดอกสว่าน และแบตเตอรี่
- อุปกรณ์เสริม และ อุปกรณ์ประกอบ
- การซ่อม การเปลี่ยน / การแก้ไขโดยช่างที่ไม่ผ่านการรับรองจากผู้ให้บริการของ DeWALT
- ความเสียหายเนื่องจากวัสดุคุณภาพต่ำ อุปกรณ์ชุด การใช้งานผิดประเภท การใช้งานในทางที่ผิด การละเลย และ การดัดแปลงใช้งานที่ไม่เหมาะสม

เงื่อนไขที่ครอบคลุมโดยอาการบัตรรับประกันทั่วไปในภูมิภาคเอเชีย รายละเอียดแตกต่างกันในแต่ละประเทศ กรุณาปรึกษากับผู้ให้บริการของ DeWALT เพื่อขอข้อมูลเพิ่มเติม

## 디월트 1년 품질보증

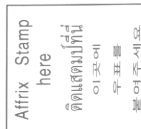
본 제품은 제품 구입일로부터 1년간 품질을 보증하며 보증기간내에 제품의 제조상 하자로 제조상 하자로 발생한 결함에 대해서는 무상으로 수리해 드립니다.

본 보증카드를 안전하게 작성하시어 가까운 디월트 / 블랙앤드데커 서비스 지정점에 제출하여 주십시오. (제품 구입 영수증 또는 거래명세서를 반드시 첨부해 주셔야 합니다.) 이 카드는 모든 서비스의 기초자료로 활용되오니 꼭 보내 주시기 바랍니다.

단, 아래 사항은 품질보증에 해당되지 않으므로 보증기간내이라도 무상수리를 받을 수 없습니다.

- 카본브러쉬, 코드, 플러그, 척, 밧데리 등의 소모품이 자연적으로 소모되었을 경우
- 악세사리가 파손되었을 경우
- 임의로 형상 및 구조를 변경하여 사용한 경우
- 외부의 충격, 사고, 천재지변, 정규전압으로 사용하지 아니한 경우, 소비자의 과실 및 취급 부주의로 고장 또는 손상된 경우

본 품질보증내용은 디월트 / 블랙앤드데커 한국지점에 한정되며, 각 나라별로 세부 내용은 다를수 있습니다. 더욱 자세한 내용을 알고 싶으시면 디월트 / 블랙앤드데커 서비스센터로 문의해 주시기 바랍니다.







### Company Copy

สำหรับบริษัท  
공급사 보관용

Customer Name: Mr. นาย   
ชื่อลูกค้า: Miss นางสาว   
고객이름: Mrs นาง

Address:   
ที่อยู่:   
Tel No.:   
หมายเลขโทรศัพท์:   
전화번호: \_\_\_\_\_

Tool Model:   
รุ่น:   
제품모델명:   
Serial No. or Date Code:   
หมายเลขเครื่อง:   
제품일련번호 또는 제작일 코드번호:

Charger Model:   
รุ่นเครื่องชาร์จ:   
충전기 모델명:   
Serial No. or Date Code:   
หมายเลขเครื่อง:   
충전기 일련번호 또는 제작일 코드번호:

Date of Purchase:   
วันที่ซื้อ:   
제품구입일자:   
\* Invoice / Receipt No.:   
\* หมายเลขใบเสร็จ:   
\* 영수증 / 거래명세서

Dealer's name:   
ร้านที่ซื้อ:   
제품구입 대리점명:   
Tel. No.:   
หมายเลขโทรศัพท์:   
전화번호:

Dealer Chop:   
ประทับตราร้านค้า:   
대리점 확인란

\* Please return this warranty card together with copy of invoice or receipt to the local DeWALTService centre within 14 days from purchase of your tool.

\* กรุณาส่งคืนใบรับประกัน ส่วนใบเสร็จ ที่ ศูนย์บริการของ DeWalt ใกล้เคียงท่าน ภายใน 14 วันนับจากวันที่ซื้อ

\* 본 보증카드를 제품구입 영수증 또는 거래명세서와 함께 딜러점 서비스 지정점에 제출하시거나, 우편으로 제품 구입후 14일 이내에 발송해 주십시오.



### Customer Copy

สำหรับลูกค้า  
고객 보관용

Customer Name: Mr. นาย   
ชื่อลูกค้า: Miss นางสาว   
고객이름: Mrs นาง

Address:   
ที่อยู่:   
Tel No.:   
หมายเลขโทรศัพท์:   
전화번호: \_\_\_\_\_

Tool Model:   
รุ่น:   
제품모델명:   
Serial No. or Date Code:   
หมายเลขเครื่อง:   
제품일련번호 또는 제작일 코드번호:

Charger Model:   
รุ่นเครื่องชาร์จ:   
충전기 모델명:   
Serial No. or Date Code:   
หมายเลขเครื่อง:   
충전기 일련번호 또는 제작일 코드번호:

Date of Purchase:   
วันที่ซื้อ:   
제품구입일자:   
\* Invoice / Receipt No.:   
\* หมายเลขใบเสร็จ:   
\* 영수증 / 거래명세서

Dealer's name:   
ร้านที่ซื้อ:   
제품구입 대리점명:   
Tel. No.:   
หมายเลขโทรศัพท์:   
전화번호:

Dealer Chop:   
ประทับตราร้านค้า:   
대리점 확인란





Note: This instruction manual is applicable for the following sub-codes -B1, -XD, -KR, -B4