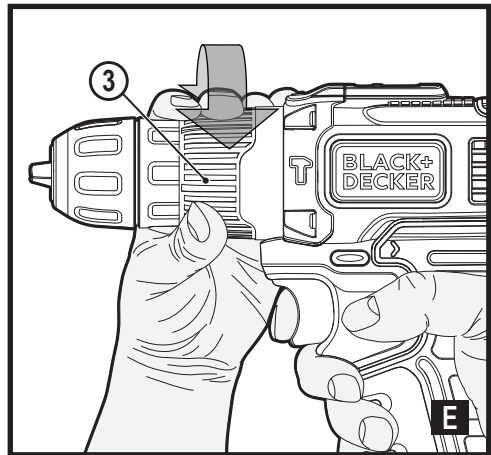
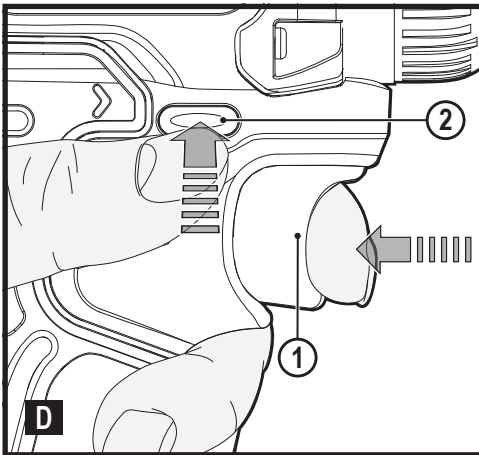
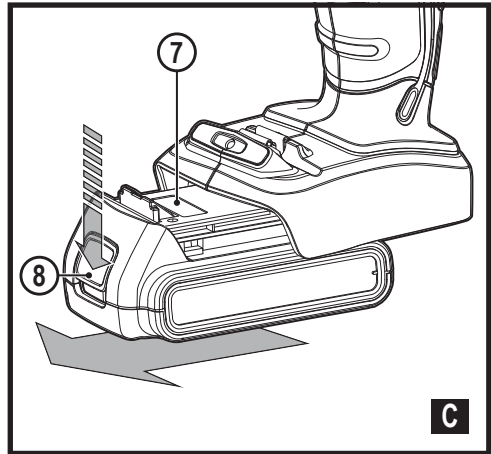
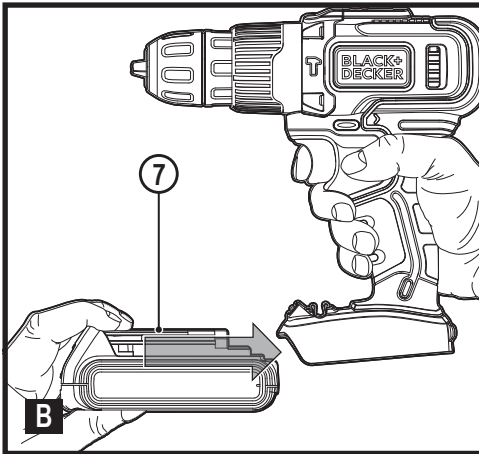
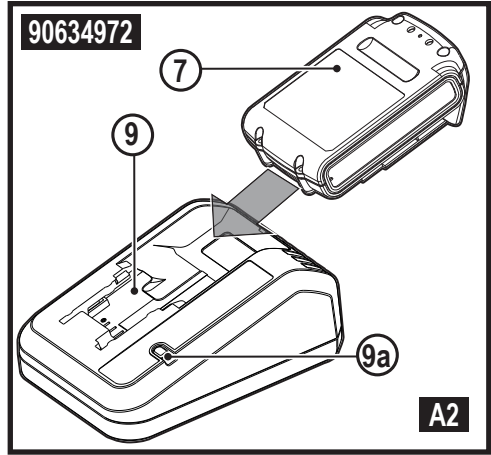
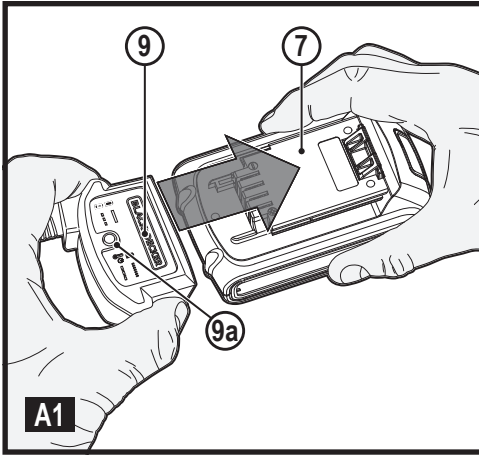
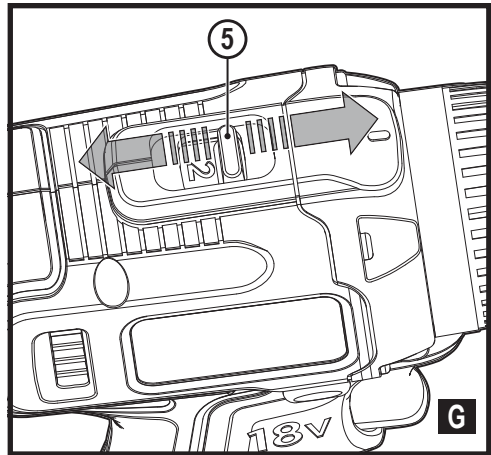
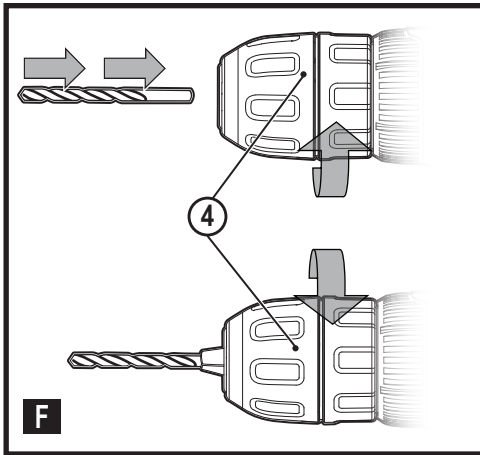


[www.blackanddecker.eu](http://www.blackanddecker.eu)

**BCD003**

English ( <b>original instructions</b> )	4
Deutsch ( <i>übersetzt von den originalanweisungen</i> )	12
Français ( <i>traduction de la notice d'instructions originale</i> )	21
Italiano ( <i>tradotto dalle istruzioni originali</i> )	30
Nederlands ( <i>vertaald vanuit de originele instructies</i> )	39
Español ( <i>traducido de las instrucciones originales</i> )	48
Português ( <i>traduzido das instruções originais</i> )	56
Svenska ( <i>översatt från de ursprungliga instruktionerna</i> )	64
Norsk ( <i>oversatt fra de originale instruksjonene</i> )	72
Dansk ( <i>oversat fra original brugsvejledning</i> )	79
Suomi ( <i>käännetty alkuperäisestä käyttöohjeesta</i> )	87
Ελληνικά ( <i>μετάφραση από τις πρωτότυπες οδηγίες</i> )	94





### Intended use

Your BLACK+DECKER BCD003 - Impact drill, has been designed for screwdriving applications and for drilling in wood, metal and masonry. This tool is intended for consumer use only.

### Safety instructions

#### General power tool safety warnings



**Warning!** Read all safety warnings, instructions, illustrations and specifications provided with this power tool. Failure to follow all instructions listed below may result in electric shock, fire and/or serious injury.

#### Save all warnings and instructions for future reference.

The term "power tool" in the warnings refers to your mains-operated (corded) power tool or battery-operated (cordless) power tool.

#### 1. Work area safety

- a. **Keep work area clean and well lit.** Cluttered or dark areas invite accidents.
- b. **Do not operate power tools in explosive atmospheres, such as in the presence of flammable liquids, gases or dust.** Power tools create sparks which may ignite the dust or fumes.
- c. **Keep children and bystanders away while operating a power tool.** Distractions can cause you to lose control.

#### 2. Electrical safety

- a. **Power tool plugs must match the outlet. Never modify the plug in any way. Do not use any adapter plugs with earthed (grounded) power tools.** Unmodified plugs and matching outlets will reduce risk of electric shock.

- b. **Avoid body contact with earthed or grounded surfaces such as pipes, radiators, ranges and refrigerators.** There is an increased risk of electric shock if your body is earthed or grounded.
- c. **Do not expose power tools to rain or wet conditions.** Water entering a power tool will increase the risk of electric shock.
- d. **Do not abuse the cord. Never use the cord for carrying, pulling or unplugging the power tool. Keep cord away from heat, oil, sharp edges or moving parts.** Damaged or entangled cords increase the risk of electric shock.
- e. **When operating a power tool outdoors, use an extension cord suitable for outdoor use.** Use of a cord suitable for outdoor use reduces the risk of electric shock.
- f. **If operating a power tool in a damp location is unavoidable, use a residual current device (RCD) protected supply.** Use of an RCD reduces the risk of electric shock.

#### 3. Personal safety

- a. **Stay alert, watch what you are doing and use common sense when operating a power tool.** Do not use a power tool while you are tired or under the influence of drugs, alcohol or medication. A moment of inattention while operating power tools may result in serious personal injury.
- b. **Use personal protective equipment. Always wear eye protection.** Protective equipment such as dust mask, non-skid safety shoes, hard hat, or hearing protection used for appropriate conditions will reduce personal injuries.

- c. **Prevent unintentional starting. Ensure the switch is in the off-position before connecting to power source and/or battery pack, picking up or carrying the tool.** Carrying power tools with your finger on the switch or energising power tools that have the switch on invites accidents.
- d. **Remove any adjusting key or wrench before turning the power tool on.** A wrench or a key left attached to a rotating part of the power tool may result in personal injury.
- e. **Do not overreach. Keep proper footing and balance at all times.** This enables better control of the power tool in unexpected situations.
- f. **Dress properly. Do not wear loose clothing or jewellery. Keep your hair, clothing and gloves away from moving parts.** Loose clothes, jewellery or long hair can be caught in moving parts.
- g. **If devices are provided for the connection of dust extraction and collection facilities, ensure these are connected and properly used.** Use of dust collection can reduce dust-related hazards.
- h. **Do not let familiarity gained from frequent use of tools allow you to become complacent and ignore tool safety principles.** A careless action can cause severe injury within a fraction of a second.
- 4. Power tool use and care**
- a. **Do not force the power tool. Use the correct power tool for your application.** The correct power tool will do the job better and safer at the rate for which it was designed.
- b. **Do not use the power tool if the switch does not turn it on and off.** Any power tool that cannot be controlled with the switch is dangerous and must be repaired.
- c. **Disconnect the plug from the power source and/or the battery pack from the power tool before making any adjustments, changing accessories, or storing power tools.** Such preventive safety measures reduce the risk of starting the power tool accidentally.
- d. **Store idle power tools out of the reach of children and do not allow persons unfamiliar with the power tool or these instructions to operate the power tool.** Power tools are dangerous in the hands of untrained users.
- e. **Maintain power tools and accessories. Check for misalignment or binding of moving parts, breakage of parts and any other condition that may affect the power tools operation. If damaged, have the power tool repaired before use.** Many accidents are caused by poorly maintained power tools.
- f. **Keep cutting tools sharp and clean.** Properly maintained cutting tools with sharp cutting edges are less likely to bind and are easier to control.
- g. **Use the power tool, accessories and tool bits etc. in accordance with these instructions, taking into account the working conditions and the work to be performed.**  
Use of the power tool for operations different from those intended could result in a hazardous situation.
- h. **Keep handles and grasping surfaces dry, clean and free from oil and grease.** Slippery handles and grasping surfaces do not allow for safe handling and control of the tool in unexpected situations.
- 5. Battery tool use and care**
- a. **Recharge only with the charger specified by the manufacturer.** A charger that is suitable for one type of battery pack may create a risk of fire when used with another battery pack.
- b. **Use power tools only with specifically designated battery packs.** Use of any other battery packs may create a risk of injury and fire.
- c. **When battery pack is not in use, keep it away from other metal objects, like paper clips, coins, keys, nails, screws, or other small metal objects, that can make a connection from one terminal to another.** Shorting the battery terminals together may cause burns or a fire.
- d. **Under abusive conditions, liquid may be ejected from the battery; avoid contact. If contact accidentally occurs, flush with water. If liquid contacts eyes, additionally seek medical help.** Liquid ejected from the battery may cause irritation or burns.
- e. **Do not use a battery pack or tool that is damaged or modified.** Damaged or modified batteries may exhibit unpredictable behaviour resulting in fire, explosion or risk of injury.
- f. **Do not expose a battery pack or tool to fire or excessive temperature.** Exposure to fire or temperature above 130 °C may cause explosion.
- g. **Follow all charging instructions and do not charge the battery pack or tool outside the temperature range specified in the instructions.** Charging improperly or at temperatures outside the specified range may damage the battery and increase the risk of fire.
- 6. Service**
- a. **Have your power tool serviced by a qualified repair person using only identical replacement parts.** This will ensure that the safety of the power tool is maintained.
- b. **Never service damaged battery packs. Service of battery packs should only be performed by the manufacturer or authorized service providers.**

### Safety Instructions for All Operations

- **Wear ear protectors when impact drilling.** Exposure to noise can cause hearing loss.
- **Hold power tool by insulated gripping surfaces, when performing an operation where the cutting accessory or the fastener may contact hidden wiring.** Cutting accessory or the fastener contacting a "live" wire may make exposed metal parts of the power tool "live" and could give the operator an electric shock.

### Safety Instructions When Using Long Drill Bits

- **Never operate at higher speed than the maximum speed rating of the drill bit.** At higher speeds, the bit is likely to bend if allowed to rotate freely without contacting the workpiece, resulting in personal injury.
- **Always start drilling at low speed and with the bit tip in contact with the workpiece.** At higher speeds, the bit is likely to bend if allowed to rotate freely without contacting the workpiece, resulting in personal injury.
- **Apply pressure only in direct line with the bit and do not apply excessive pressure.** Bits can bend causing breakage or loss of control, resulting in personal injury.

### Additional Safety Warnings for Drill/ Driver/ Hammerdrill

- Use clamps or other practical way to secure and support the workpiece to a stable platform. Holding the work by hand or against your body is unstable and may lead to loss of control.
- Accessories and tool may get hot during operation. Wear gloves when handling them if performing heat producing applications such as drilling metals.
- Air vents often cover moving parts and should be avoided. Loose clothes, jewelry or long hair can be caught in moving parts.
- Wear safety goggles or other eye protection. Hammering and drilling operations cause chips to fly. Flying particles can cause permanent eye damage.
- Wear ear protectors when impact drilling. Exposure to noise can cause hearing loss.
- Use auxiliary handle(s), if supplied with the tool. Loss of control can cause personal injury.
- Do not operate this tool for long periods of time. Vibration caused by tool action may be harmful to your hands and arms. Use gloves to provide extra cushion and limit exposure by taking frequent rest periods.

### Safety of others

- This appliance can be used by children aged from 8 years and above and persons with reduced physical, sensory or mental capabilities or lack of experience and knowledge if

they have been given supervision or instruction concerning use of the appliance in a safe way and understand the hazards involved.

- Children shall not play with the appliance. Cleaning and user maintenance shall not be made by children without supervision.

### Residual risks

Additional residual risks may arise when using the tool which may not be included in the enclosed safety warnings. These risks can arise from misuse, prolonged use etc.

Even with the application of the relevant safety regulations and the implementation of safety devices, certain residual risks can not be avoided. These include:

- ◆ Injuries caused by touching any rotating/moving parts.
- ◆ Injuries caused when changing any parts, blades or accessories.
- ◆ Injuries caused by prolonged use of a tool. When using any tool for prolonged periods ensure you take regular breaks.
- ◆ Impairment of hearing.
- ◆ Health hazards caused by breathing dust developed when using your tool (example:- working with wood, especially oak, beech and MDF.)

### Vibration

The declared vibration emission values stated in the technical data and the declaration of conformity have been measured in accordance with a standard test method provided by EN62841 and may be used for comparing one tool with another.

The declared vibration emission value may also be used in a preliminary assessment of exposure.



**Warning!** The vibration emission value during actual use of the power tool can differ from the declared value depending on the ways in which the tool is used. The vibration level may increase above the level stated.

When assessing vibration exposure to determine safety measures required by 2002/44/EC to protect persons regularly using power tools in employment, an estimation of vibration exposure should consider, the actual conditions of use and the way the tool is used, including taking account of all parts of the operating cycle such as the times when the tool is switched off and when it is running idle in addition to the trigger time.

### Labels on tool

The following symbols are shown on the tool along with the date code:



**Warning!** To reduce the risk of injury, the user must read the instruction manual.



Wear ear protectors with impact drills.  
Exposure to noise can cause hearing loss.



Do not stare at operating lamp

## Additional safety instructions for batteries and chargers

### Batteries

- Never attempt to open for any reason.
- Do not expose the battery to water.
- Do not expose the battery to heat.
- Do not store in locations where the temperature may exceed 40 °C.
- Charge only at ambient temperatures between 10 °C and 40 °C.
- Charge only using the charger provided with the appliance/tool.
- When disposing of batteries, follow the instructions given in the section "Protecting the environment".
- Do not damage/deform the battery pack either by puncture or impact, as this may create a risk of injury and fire.
- Do not charge damaged batteries.
- Under extreme conditions, battery leakage may occur. When you notice liquid on the batteries carefully wipe the liquid off using a cloth. Avoid skin contact.
- In case of skin or eye contact, follow the instructions below.



**Warning!** The battery fluid may cause personal injury or damage to property. In case of skin contact, immediately rinse with water. If redness, pain or irritation occurs seek medical attention. In case of eye contact, rinse immediately with clean water and seek medical attention.

### Chargers

Your charger has been designed for a specific voltage. Always check that the mains voltage corresponds to the voltage on the rating plate.



**Warning!** Never attempt to replace the charger unit with a regular mains plug.

- Use your charger only to charge the battery in the tool with which it was supplied. Other batteries could burst, causing personal injury and damage.
- Never attempt to charge non-rechargeable batteries.
- If the supply cord is damaged, it must be replaced by the manufacturer or an authorised Service Centre in order to avoid a hazard.

- Have defective cords replaced immediately.
- Do not expose the charger to water.
- Do not open the charger.
- Do not probe the charger.
- The appliance/tool/battery must be placed in a well ventilated area when charging.



The charger is intended for indoor use only.

### Electrical safety



Your charger is double insulated; therefore no earth wire is required. Always check that the mains voltage corresponds to the voltage on the rating plate. Never attempt to replace the charger unit with a regular mains plug.

- ◆ If the supply cord is damaged, it must be replaced by the manufacturer or an authorised BLACK+DECKER Service Centre in order to avoid a hazard.

### Features

This tool includes some or all of the following features.

1. Variable speed switch
2. Forward/reverse slider
3. Torque adjustment collar
4. Keyless chuck
5. Dual range gearing
6. LED work light
7. Battery
8. Battery release button

### Assembly

#### Use

**Warning!** Let the tool work at its own pace. Do not overload.

#### Charging the battery (fig. A1, A2)

The battery needs to be charged before first use and whenever it fails to produce sufficient power on jobs that were easily done before. The battery may become warm while charging; this is normal and does not indicate a problem.

**Warning!** Do not charge the battery at ambient temperatures below 10 °C or above 40 °C. Recommended charging temperature: approx. 24 °C.

**Note: The charger will not charge a battery if the cell temperature is below approximately 10 °C or above 40 °C. The battery should be left in the charger and the charger will begin to charge automatically when the cell temperature warms up or cools down.**

- ◆ Plug the charger (9) into any standard 230 Volts 50 Hz electrical outlet.

- ◆ Slide the battery pack (7) into the charger as shown in fig. A1, A2.

The LED (9a) will flash indicating that the battery is being charged.

The completion of charge is indicated by the LED (9a) remaining on continuously. The pack is fully charged and may be used at this time or left on the charger.

**Warning!** fire Hazard. When removing the battery from the charger, be sure to unplug the charger from the outlet first, then remove the battery from the charger.

### Charger diagnostics

This charger is designed to detect certain problems that can arise with the battery packs or the power source. Problems are indicated by one LED flashing in different patterns.

### Bad battery

The charger can detect a weak or damaged battery. The LED flashes in the pattern indicated on the label. If you see this bad battery blink pattern, do not continue to charge the battery. Return it to a service center or a collection site for recycling.

### Hot/cold pack delay

When the charger detects a battery that is excessively hot or excessively cold, it automatically starts a Hot/Cold Pack Delay, suspending charging until the battery has normalized. After this happens, the charger automatically switches to the Pack Charging mode. This feature ensures maximum battery life. The light flashes in the pattern indicated on the label.

### Leaving the battery in the charger

The charger and battery pack can be left connected with the LED glowing indefinitely. The charger will keep the battery pack fresh and fully charged. This charger features an automatic tune-up mode which equals or balances the individual cells in the battery pack to allow it to function at peak capacity. Battery packs should be tuned up weekly or whenever the battery no longer delivers the same amount of work. To use the automatic tune-up mode, place the battery pack in the charger and leave it for at least 8 hours.

### Important charging notes

- ◆ Longest life and best performance can be obtained if the battery pack is charged when the air temperature is between 18 ° – 24 °C. DO NOT charge the battery pack in an air temperature below +4.5 °C), or above +40 °C. This is important and will prevent serious damage to the battery pack.
- ◆ The charger and battery pack may become warm to the touch while charging. This is a normal condition, and does not indicate a problem. To facilitate the cooling of the battery pack after use, avoid placing the charger or

battery pack in a warm environment such as in a metal shed or an uninsulated trailer.

- ◆ If the battery pack does not charge properly:
  - ◆ Check operation of receptacle by plugging in a lamp or other appliance;
  - ◆ Check to see if receptacle is connected to a light switch which turns power off when you turn out the lights;
  - ◆ Move the charger and battery pack to a location where the surrounding air temperature is approximately 18 ° – 24 °C;
  - ◆ If charging problems persist, take the tool, battery pack and charger to your local service center.
- ◆ The battery pack should be recharged when it fails to produce sufficient power on jobs which were easily done previously. DO NOT CONTINUE to use under these conditions. Follow the charging procedure. You may also charge a partially used pack whenever you desire with no adverse effect on the battery pack.
- ◆ Foreign materials of a conductive nature such as, but not limited to, grinding dust, metal chips, steel wool, aluminum foil, or any buildup of metallic particles should be kept away from charger cavities. Unplug the charger before attempting to clean.
- ◆ Do not freeze or immerse the charger in water or any other liquid.

### Installing and removing the battery pack from the tool (fig. B)

**Warning!** Make certain the lock-off button (2) is engaged to prevent switch actuation before removing or installing battery. To install battery pack:

- ◆ Insert battery pack (7) into tool, until an audible click is heard (fig. B)

### Removing the battery pack from the tool (fig. C)

- ◆ Depress the battery release button (8) as shown in (fig. C) and pull battery pack out of tool.

### Operating Instructions

#### Trigger switch & reversing button (fig. D)

- ◆ The drill is turned ON and OFF by pulling and releasing the trigger switch (1). The farther the trigger is depressed, the higher the speed of the drill.
- ◆ A forward/reverse control button (2) determines the direction of the tool and also serves as a lock off button.
- ◆ To select forward rotation, release the trigger switch and depress the forward/reverse control button to the left.
- ◆ To select reverse, depress the forward/reverse control button the opposite direction.

**Note:** The center position of the control button locks the tool



in the off position. When changing the position of the control button, be sure the trigger is released.

### Torque control (fig.E)

This tool is fitted with a torque adjustment collar (3) to select the operating mode and to set the torque for tightening screws. Large screws and hard workpiece materials require a higher torque setting than small screws and soft workpiece materials.

- ◆ For drilling in wood, metal and plastics, set the collar to the drilling position symbol
- ◆ For screwdriving, set the collar to the desired setting. If you do not yet know the appropriate setting, proceed as follows:
  - ◆ Set the collar to the lowest torque setting.
  - ◆ Tighten the first screw.
  - ◆ If the clutch ratchets before the desired result is achieved, increase the collar setting and continue tightening the screw. Repeat until you reach the correct setting. Use this setting for the remaining screws.

### Keyless chuck (fig. F)

**Warning!** Make certain the lock-off button (2) is engaged to prevent switch actuation before installing or removing accessories.

To insert a drill bit or other accessory:

- ◆ Grasp the rear half of the chuck (4) with one hand and use your other hand to rotate the front half in the counterclockwise direction, as viewed from the chuck end.
- ◆ Insert the bit or other accessory fully into the chuck, and tighten securely by holding the rear half of the chuck and rotating the front portion in the clockwise direction as viewed from the chuck end.

**Warning!** Do not attempt to tighten drill bits (or any other accessory) by gripping the front part of the chuck and turning the tool on. Damage to the chuck and personal injury may occur when changing accessories.

### Dual range gearing (Figure G)

The dual range feature of your drill allows you to shift gears for greater versatility. To select low speed, high torque setting (position 1), turn tool off and permit to stop. Slide gear shifter button (5) away from the chuck. To select the high speed, low torque setting (position 2), turn tool off and permit to stop. Slide gear shifter button towards the chuck.

**Note:** Do not change gears when tool is running. If you are having trouble changing gears, make sure that the dual range gear button is either completely pushed forward or completely pushed back.

### Drilling/screwdriving

- ◆ Select forward or reverse rotation using the forward/reverse slider (2).

- ◆ To switch the tool on, press the switch (1). The tool speed depends on how far you press the switch.
- ◆ To switch the tool off, release the switch.

### Hints for optimum use

#### Drilling

- ◆ Use sharp drill bits only.
- ◆ Support and secure work properly, as instructed in the Safety Instructions.
- ◆ Use appropriate and required safety equipment, as instructed in the Safety Instructions.
- ◆ Secure and maintain work area, as instructed in the Safety Instructions.
- ◆ Run the drill very slowly, using light pressure, until the hole is started enough to keep the drill bit from slipping out of it.
- ◆ Apply pressure in a straight line with the bit. Use enough pressure to keep the bit biting but not so much as to stall the motor or deflect the bit.
- ◆ Hold the drill firmly with two hands to control its twisting action.
- ◆ DO NOT CLICK THE TRIGGER OF A STALLED DRILL OFF AND ON IN AN ATTEMPT TO START IT. DAMAGE TO THE DRILL CAN RESULT.
- ◆ Minimize stalling on breakthrough by reducing pressure and slowly drilling through the last part of the hole.
- ◆ Keep the motor running while pulling the bit out of a drilled hole. This will help reduce jamming.
- ◆ Make sure switch turns drill on and off.

#### Drilling in wood

Holes in wood can be made with the same twist drill bits used for metal or with spade bits. These bits should be sharp and should be pulled out frequently when drilling to clear chips from the flutes.

#### Drilling in metal

Use a cutting lubricant when drilling metals. The exceptions are cast iron and brass which should be drilled dry. The cutting lubricants that work best are sulfurized cutting oil or lard oil.

#### Drilling in masonry

For drilling in masonry, set the collar (3) to the hammer drilling position by aligning the symbol with the marking. Slide the speed selector (5) towards the front of the tool (2nd gear).

#### Screwdriving

- ◆ Always use the correct type and size of screwdriver bit.
- ◆ If screws are difficult to tighten, try applying a small amount of washing liquid or soap as a lubricant.

- ◆ Always hold the tool and screwdriver bit in a straight line with the screw

**Troubleshooting**

Problem	Possible cause	Possible solution
Unit will not start.	Battery pack not charged.	Check battery pack charging requirements
Battery pack will not charge.	Charger not plugged in.  Surrounding air temperature too hot or too cold.	Plug charger into a working outlet.  Move charger and battery pack to a surrounding air temperature of above 40 degrees F (45°C) or below 105 degrees F (+40.5°C)
Unit shuts off abruptly.	Battery pack has reached its maximum thermal limit.  Out of charge. (To maximize the life of the battery pack it is designed to shutoff abruptly when the charge is depleted	Allow battery pack to cool down.  Place on charger and allow to charge.

**Maintenance**

Your BLACK+DECKER tool has been designed to operate over a long period of time with a minimum of maintenance. Continuous satisfactory operation depends upon proper tool care and regular cleaning.

Your charger does not require any maintenance apart from regular cleaning.

**Warning!** Before performing any maintenance on the tool, remove the battery from the tool. Unplug the charger before cleaning it.

- ◆ Regularly clean the ventilation slots in your tool and charger using a soft brush or dry cloth.
- ◆ Regularly clean the motor housing using a damp cloth. Do not use any abrasive or solvent-based cleaner.
- ◆ Regularly open the chuck and tap it to remove any dust from the interior.

**Protecting the environment**



Separate collection. Products and batteries marked with this symbol must not be disposed of with normal household waste.

Products and batteries contain materials that can be recovered or recycled, reducing demand for raw materials. Please recycle electrical products and batteries according to local provisions. Further information is available at [www.2helpU.com](http://www.2helpU.com)

**Technical data**

		BCD003
Voltage	V <sub>DC</sub>	18
No-load speed	Min <sup>-1</sup>	0 - 360/0 - 1400
Max. torque	Nm	45
Chuck capacity	mm	1-10
Max Drilling capacity		
Steel/wood/Masonry	mm	10/25/10
Weight	kg	0.9

Charger		905902**	906349**
Input voltage	V <sub>AC</sub>	230	230
Output voltage	V <sub>DC</sub>	18	18
Current	mA	400	1A
Approx. charge time	Hours	3 - 5	1.5

Battery		BL1518
Voltage	V <sub>DC</sub>	18
Capacity	Ah	1.5
Type		Li-Ion

Level of sound pressure according to EN 62841:
Sound pressure (L <sub>pa</sub> ) 86.0 dB(A), uncertainty (K) 5 dB(A)
Sound power (L <sub>wa</sub> ) 97.0 dB(A), uncertainty (K) 5 dB(A)

Vibration total values (triax vector sum) according to EN 62841:
Drilling into concrete (a <sub>r,d</sub> ) 6.8 m/s <sup>2</sup> , uncertainty (K) 1.5 m/s <sup>2</sup>
Drilling into metal (a <sub>r,d</sub> ) 1.8 m/s <sup>2</sup> , uncertainty (K) 1.5 m/s <sup>2</sup>

**Declaration of conformity  
The Supply of Machinery (Safety)  
Regulations 2008**



BCD003 - Impact drill  
Black & Decker declares that these products described under "technical data" are in compliance with:  
The Supply of Machinery (Safety) Regulations, 2008, S.I. 2008/1597 (as amended),  
EN62841-1:2015, EN62841-2-1:2018+A11:2019.  
These products conform to the following UK Regulations:  
Electromagnetic Compatibility Regulations, 2016, S.I.2016/1091 (as amended).  
The Restriction of the Use of Certain Hazardous Substances in Electrical and Electronic Equipment Regulations 2012, S.I. 2012/3032 (as amended).

For more information, please contact Black & Decker at the following address or refer to the back of the manual. The undersigned is responsible for compilation of the technical file and makes this declaration on behalf of Black & Decker.



Ed Higgins  
Director - Consumer Power Tools  
Black and Decker UK, 270 Bath Road, Slough  
Berkshire, SL1 4DX  
United Kingdom  
10/09/2021

Terms and conditions of the Black & Decker 2 year guarantee and the location of your nearest authorised repair agent can be obtained on the Internet at [www.2helpU.com](http://www.2helpU.com), or by contacting your local Black & Decker office at the address indicated in this manual.

Please visit our website [www.blackanddecker.co.uk](http://www.blackanddecker.co.uk) to register your new Black & Decker product and receive updates on new products and special offers.

## EC declaration of conformity

MACHINERY DIRECTIVE



BCD003 - Impact drill

Black & Decker declares that these products described under "technical data" are in compliance with: EN62841-1:2015, EN62841-2-1:2018+A11:2019.

These products also comply with Directive 2006/42/EC, 2014/30/EU and 2011/65/EU. For more information, please contact Black & Decker at the following address or refer to the back of the manual.

The undersigned is responsible for compilation of the technical file and makes this declaration on behalf of

Black & Decker.



Patrick Diepenbach  
General Manager, Benelux  
Black & Decker,  
Egide Walschaertsstraat 14-18  
2800 Mechelen, Belgium  
10/09/21

## Guarantee

Black & Decker is confident of the quality of its products and offers consumers a 24 month guarantee from the date of purchase. This guarantee is in addition to and in no way prejudices your statutory rights. The guarantee is valid within the territories of the Member States of the European Union and the European Free Trade Area.

To claim on the guarantee, the claim must be in accordance with Black & Decker Terms and Conditions and you will need to submit proof of purchase to the seller or an authorised repair agent.

## Verwendungszweck

Ihr BLACK+DECKER Schlagbohrer BCD003 wurde für Schraubanwendungen und zum Bohren in Holz, Metall und Mauerwerk entwickelt. Dieses Werkzeug ist nicht für den gewerblichen Einsatz vorgesehen.

## Sicherheitshinweise

### Allgemeine Sicherheitswarnungen für das Gerät



**Warnung!** Beachten Sie alle Sicherheitshinweise, Anweisungen, Darstellungen und Daten, die Sie mit dem Gerät erhalten. Wenn Sie die folgenden Anweisungen nicht beachten, kann es zu elektrischem Schlag, Feuer und/oder schweren Verletzungen kommen.

**Bewahren Sie alle Warnhinweise und alle Anweisungen gut auf.** Der nachfolgend verwendete Begriff „Gerät“ oder „Elektrowerkzeug“ bezieht sich auf netzbetriebene Geräte (mit Netzkabel) und auf akkubetriebene Geräte (ohne Netzkabel).

#### 1. Sicherheit im Arbeitsbereich

- a. **Halten Sie den Arbeitsbereich sauber und gut ausgeleuchtet.** Unaufgeräumte oder dunkle Bereiche begünstigen Unfälle.
- b. **Betreiben Sie Elektrowerkzeuge nicht in explosionsgefährdeten Umgebungen, in denen sich z. B. brennbare Flüssigkeiten, Gase oder Staub befinden.** Elektrowerkzeuge erzeugen Funken, die den Staub oder die Dämpfe entzünden können.
- c. **Halten Sie Kinder und Zuschauer fern, während Sie ein Elektrogerät betreiben.** Ablenkung kann dazu führen, dass Sie die Kontrolle über das Gerät verlieren.

#### 2. Elektrische Sicherheit

- a. **Der Stecker des Elektrogerätes muss in die Steckdose passen. Ändern Sie niemals den Stecker in irgendeiner Form. Verwenden Sie keinerlei Adapterstecker an geerdeten Elektrogeräten.** Unveränderte Stecker und passende Steckdosen mindern die Gefahr eines elektrischen Schlages.
- b. **Vermeiden Sie Körperkontakt mit geerdeten Flächen, wie Rohre, Radiatoren, Herde und Kühlgeräte.** Es besteht eine erhöhte Gefahr für einen elektrischen Schlag, wenn Ihr Körper geerdet ist.
- c. **Setzen Sie Elektrogeräte keinem Regen oder feuchter Umgebung aus.** Wenn Wasser in das Elektrogerät eindringt, erhöht sich die Gefahr eines elektrischen Schlages.
- d. **Behandeln Sie das Kabel sorgfältig. Verwenden Sie niemals das Kabel, um das Elektrogerät zu tragen oder durch Ziehen vom Netz zu trennen. Halten Sie**

**das Kabel fern von Hitze, Öl, scharfen Kanten oder beweglichen Teilen.** Beschädigte oder verhedderte Kabel erhöhen die Gefahr eines elektrischen Schlages.

- e. **Wenn Sie ein Elektrogerät im Freien betreiben, verwenden Sie ein für den Außeneinsatz geeignetes Verlängerungskabel.** Die Verwendung von für den Außeneinsatz geeigneten Kabeln mindert die Gefahr eines elektrischen Schlages.
- f. **Wenn der Betrieb eines Elektrogerätes in feuchter Umgebung unumgänglich ist, verwenden Sie eine durch einen Fehlerstromschutzschalter (FI-Schalter oder RCD) geschützte Stromversorgung.** Der Einsatz eines Fehlerstromschutzschalters mindert die Gefahr eines elektrischen Schlages.

#### 3. Sicherheit von Personen

- a. **Seien Sie aufmerksam, achten Sie darauf, was Sie tun, und gehen Sie mit Vernunft an die Arbeit mit einem Elektrowerkzeug. Benutzen Sie kein Gerät, wenn Sie müde sind oder unter dem Einfluss von Drogen, Alkohol oder Medikamenten stehen.** Ein Moment der Unachtsamkeit beim Betrieb eines Elektrogerätes kann zu schweren Verletzungen führen.
- b. **Tragen Sie persönliche Schutzausrüstung. Tragen Sie immer einen Augenschutz.** Das Tragen persönlicher Schutzausrüstung, wie Staubmaske, rutschfeste Sicherheitsschuhe, Schutzhelm oder Gehörschutz, je nach Art und Einsatz des Elektrowerkzeuges, verringert das Risiko von Verletzungen.
- c. **Vermeiden Sie unbeabsichtigtes Starten. Vergewissern Sie sich, dass das Gerät ausgeschaltet ist, bevor Sie es an eine Steckdose oder einen Akku anschließen, es hochheben oder tragen.**  
Wenn Sie beim Tragen des Elektrowerkzeuges den Finger am Schalter haben oder das Gerät eingeschaltet an die Stromversorgung anschließen, kann dies zu Unfällen führen.
- d. **Entfernen Sie alle Einstellschlüssel oder Werkzeuge, bevor Sie das Elektrogerät einschalten.** Werkzeuge oder Schlüssel, die an rotierenden Teilen des Elektrogerätes angebracht sind, können zu Verletzungen führen.
- e. **Vermeiden Sie eine anormale Körperhaltung. Sorgen Sie für einen sicheren Stand und halten Sie jederzeit das Gleichgewicht.** Dadurch können Sie das Elektrowerkzeug in unerwarteten Situationen besser kontrollieren.
- f. **Tragen Sie geeignete Kleidung. Tragen Sie keine weite Kleidung und keinen Schmuck. Halten Sie Ihre Haare, Kleidung und Handschuhe von beweglichen Teilen fern.** Lose sitzende Kleidung, Schmuck oder lange Haare können sich in den beweglichen Teilen verfangen.

- g. Wenn Geräte für den Anschluss an eine Staubabsaugung und Staubsammlung vorgesehen sind, vergewissern Sie sich, dass diese richtig angeschlossen sind und verwendet werden.** Der Einsatz von Staubsammlern kann staubbedingte Gefahren mindern.
- h. Vermeiden Sie, durch die häufige Nutzung des Werkzeugs in einen Trott zu verfallen und Prinzipien für die Werkzeugsicherheit zu ignorieren.** Eine unachtsame Aktion kann im Bruchteil einer Sekunde zu schweren Verletzungen führen.
- 4. Gebrauch und Pflege von Geräten**
- a. Überlasten Sie das Elektrogerät nicht. Verwenden Sie das für Ihre Arbeit passende Gerät.** Das richtige Gerät wird die Aufgabe besser und sicherer erledigen, wenn es bestimmungsgemäß verwendet wird.
- b. Benutzen Sie kein Elektrowerkzeug, dessen Schalter defekt ist.** Ein Elektrowerkzeug, das sich nicht mehr ein- oder ausschalten lässt, ist gefährlich und muss repariert werden.
- c. Trennen Sie den Stecker vom Netz und/oder, falls abnehmbar, den Akku vom Elektrogerät, bevor Sie Einstellungen am Gerät vornehmen, Zubehör wechseln oder es aufbewahren.** Diese Vorbeugemaßnahmen mindern die Gefahr, dass das Elektrogerät unbeabsichtigt startet. Diese Vorbeugemaßnahmen mindern die Gefahr, dass das Elektrogerät unbeabsichtigt startet.
- d. Bewahren Sie nicht verwendete Elektrogeräte für Kinder unerreichbar auf und lassen Sie nicht zu, dass Personen ohne Erfahrung mit dem Elektrogerät oder mit diesen Anweisungen das Elektrogerät bedienen.** Elektrogeräte sind in den Händen nicht geschulter Personen gefährlich.
- e. Halten Sie das Gerät und sein Zubehör in einem einwandfreien Zustand. Kontrollieren Sie, ob bewegliche Teile falsch ausgerichtet sind oder klemmen und ob Teile gebrochen oder so beschädigt sind, dass die Funktion des Geräts beeinträchtigt ist. Bei Beschädigungen lassen Sie das Gerät reparieren, bevor Sie es verwenden.** Viele Unfälle entstehen wegen mangelnder Wartung der Elektrogeräte.
- f. Halten Sie Schneidwerkzeuge scharf und sauber.** Richtig gewartete Schneidwerkzeuge mit scharfen Klingen blockieren seltener und sind leichter unter Kontrolle zu halten.
- g. Verwenden Sie Elektrogeräte, Zubehör und Einsätze (Bits) usw. gemäß diesen Anweisungen und unter Berücksichtigung der Arbeitsbedingungen und der Aufgabe.** Wenn Sie das Elektrogerät für Aufgaben verwenden, die nicht bestimmungsgemäß sind, kann dies zu gefährlichen Situationen führen.
- h. Halten Sie die Griffe trocken, sauber und frei von Öl und Fett.** Rutschige Griffe und Oberflächen unterbinden die sichere Bedienbarkeit und Kontrolle über das Werkzeug in unerwarteten Situationen.
- 5. Gebrauch und Pflege von Akkuwerkzeugen (nur für Akkuwerkzeuge verwenden)**
- a. Laden Sie die Akkus nur in Ladegeräten auf, die vom Hersteller angegeben wurden.** Für ein Ladegerät, das nur für eine bestimmte Akkuart geeignet ist, besteht Brandgefahr, wenn es mit anderen Akkus verwendet wird.
- b. Verwenden Sie nur die für das jeweilige Gerät vorgesehenen Akkus.** Die Verwendung anderer Akkus kann zu Verletzungen oder Bränden führen.
- c. Bewahren Sie den Akku bei Nichtbenutzung nicht in der Nähe metallischer Objekte wie Büroklammern, Münzen, Schlüsseln, Nägeln oder Schrauben auf, da diese eine Verbindung zwischen beiden Polen des Akkus herstellen können.** Durch den dadurch entstehenden Kurzschluss kann der Akku in Brand geraten.
- d. Bei falscher Anwendung kann Flüssigkeit aus dem Akku austreten. Vermeiden Sie den Kontakt damit. Bei unbeabsichtigtem Kontakt mit Wasser abspülen. Gelangt die Flüssigkeit in die Augen, ziehen Sie außerdem ärztliche Hilfe hinzu.** Austretende Akkuflüssigkeit kann zu Hautreizungen oder Verbrennungen führen.
- e. Verwenden Sie keine Akkus oder Werkzeuge, die beschädigt sind oder modifiziert wurden.** Beschädigte oder modifizierte Akkus können sich unvorhersehbar verhalten und stellen ein Risiko von Feuer, Explosionen oder Verletzungen dar.
- f. Setzen Sie Akkus und Werkzeuge keinem Feuer oder extremen Temperaturen aus.** Die Belastung durch Feuer oder Temperaturen über 130 °C kann zur Explosion führen. HINWEIS: Die Temperaturangabe „130 °C“ kann durch die Temperaturangabe „265 °F“ ersetzt werden.
- g. Befolgen Sie alle Anweisungen zum Aufladen und laden Sie den Akku oder das Werkzeug nicht jenseits des in der Anleitung angegebenen Temperaturbereichs auf.** Das falsche Aufladen oder das Aufladen bei Temperaturen jenseits des angegebenen Bereichs kann den Akku beschädigen und das Brandrisiko erhöhen.
- 6. Service**
- a. Lassen Sie Ihr Elektrowerkzeug nur von qualifiziertem Fachpersonal und nur mit Original-Ersatzteilen reparieren.** Damit wird sichergestellt, dass die Sicherheit des Gerätes erhalten bleibt.

- b. Führen Sie an beschädigten Akkus niemals Wartungsarbeiten durch.** Die Wartung von Akkus darf nur vom Hersteller oder von autorisierten Dienstleistern durchgeführt werden (nur für Akkuwerkzeuge verwenden).

### Sicherheitsvorschriften für alle Betriebsarten

- Tragen Sie bei der Arbeit mit einem Schlagbohrer einen Gehörschutz. Lärm kann Gehörschäden verursachen.
- Halten Sie das Gerät an den isolierten Griffflächen fest, wenn Sie Arbeiten ausführen, bei denen verdeckte Kabel durch das Schneidwerkzeug oder das Befestigungsmittel beschädigt werden könnten. Der Kontakt des Schneidwerkzeugs oder des Befestigungsmittels mit stromführenden Leitungen kann auch offenliegende Metallteile am Gerät unter Strom setzen und zu einem Stromschlag führen.

### Sicherheitshinweise bei Verwendung langer Bohrerbits

- Niemals mit einer höheren Drehzahl als der maximalen Drehzahl des Bohrers arbeiten. Bei höheren Drehzahlen kann sich der Bohrer leicht verbiegen, wenn er sich frei drehen kann, ohne das Werkstück zu berühren, was zu Verletzungen führen kann.
- Beginnen Sie beim Bohren immer mit niedriger Drehzahl und so, dass die Bohrer Spitze in Kontakt mit dem Werkstück ist. Bei höheren Drehzahlen kann sich der Bohrer leicht verbiegen, wenn er sich frei drehen kann, ohne das Werkstück zu berühren, was zu Verletzungen führen kann.
- Üben Sie Druck nur in direkter Linie mit dem Bohrerbit aus und üben Sie keinen übermäßigen Druck aus. Bits können sich verbiegen, was zu einem Bruch oder Kontrollverlust und dadurch zu Verletzungen führen kann.

### Zusätzliche Sicherheitshinweise für Bohrer/Schrauber/ Bohrhammer

- Sichern Sie das Werkstück zum Beispiel mit Einspannvorrichtungen auf einer stabilen Plattform. Das Werkstück ist instabil, wenn es mit der Hand oder dem Körper abgestützt wird, was zum Verlust der Kontrolle führen kann.
- Zubehör und Werkzeug können während des Betriebs heiß werden. Tragen Sie beim Umgang damit Handschuhe, wenn wärmeerzeugende Anwendungen wie Bohren in Metall durchgeführt werden.
- Luftöffnungen decken häufig bewegliche Teile ab und sollten freigehalten werden. Lose sitzende Kleidung, Schmuck oder lange Haare können sich in den beweglichen Teilen verfangen.
- Tragen Sie eine Schutzbrille oder anderen Augenschutz. Beim Hämmer- und Bohrbetrieb werden Späne in die Luft befördert. Fliegende Partikel können zu Augenverletzungen führen.

- Tragen Sie bei der Arbeit mit einem Schlagbohrer einen Gehörschutz. Lärm kann Gehörschäden verursachen.
- Benutzen Sie die mit dem Werkzeug gelieferten Zusatzgriffe. Der Verlust der Kontrolle kann Verletzungen verursachen.
- Betreiben Sie dieses Werkzeug nicht über lange Zeiträume. Durch das Werkzeug verursachte Vibrationen können für Ihre Hände und Arme schädlich sein. Tragen Sie Handschuhe als zusätzlichen Dämpfer und legen Sie häufig Pausen ein, um den Schwingungen nicht zu lange Zeit ausgesetzt zu sein.

### Sicherheit anderer Personen

- Dieses Gerät darf von Kindern ab 8 Jahren und Personen mit eingeschränkter körperlicher, sensorischer oder geistiger Fähigkeiten sowie mangelnder Erfahrung und Wissen in Bezug auf dessen Gebrauch bedient werden, wenn sie bei der Verwendung des Geräts beaufsichtigt oder angeleitet werden und die möglichen Gefahren verstehen.
- Kinder dürfen nicht mit dem Gerät spielen. Reinigung und Wartungsarbeiten dürfen von Kindern nur unter Aufsicht durchgeführt werden.

### Restrisiken

Beim Gebrauch dieses Geräts verbleiben zusätzliche Restrisiken, die möglicherweise nicht in den Sicherheitswarnungen genannt werden. Diese Risiken bestehen beispielsweise bei Missbrauch oder längerem Gebrauch.

Auch bei der Einhaltung der entsprechenden Sicherheitsvorschriften und der Verwendung aller Sicherheitsgeräte bestehen weiterhin bestimmte Restrisiken. Diese sind:

- ◆ Verletzungen, die durch das Berühren von sich drehenden/bewegenden Teilen verursacht werden.
- ◆ Verletzungen, die durch das Austauschen von Teilen, Sägeblättern oder Zubehör verursacht werden.
- ◆ Verletzungen, die durch längeren Gebrauch eines Geräts verursacht werden. Legen Sie bei längerem Gebrauch regelmäßige Pausen ein.
- ◆ Schwerhörigkeit.
- ◆ Gesundheitsrisiken durch das Einatmen von Staub beim Gebrauch des Geräts (beispielsweise bei Holzarbeiten, insbesondere Eiche, Buche und Pressspan)

### Schwingung

Die in den technischen Daten und der Konformitätserklärung angegebenen Schwingungsemissionswerte wurden in Übereinstimmung mit einem Standard-Testverfahren gemäß EN62841 gemessen und können zum Vergleich einzelner Werkzeuge verwendet werden. Der angegebene Schwingungsemissionswert kann auch in einer vorläufigen

Beurteilung der Exposition verwendet werden.



**Warnung!** Der Schwingungsemissionswert, der während der tatsächlichen Benutzung des Elektrowerkzeugs erreicht wird, kann sich von dem angegebenen Wert unterscheiden, was von der Art und Weise abhängt, in der das Werkzeug verwendet wird. Der Schwingungspegel kann über den angegebenen Wert steigen.

Bei der Beurteilung der Schwingungsbelastung, um die gemäß 2002/44/EG vorgeschriebenen Sicherheitsmaßnahmen festzulegen, damit Personen geschützt werden, die regelmäßig mit Elektrowerkzeugen arbeiten, müssen in einer Bewertung der Schwingungsbelastung die tatsächlichen Einsatzbedingungen und die Art und Weise, wie das Werkzeug verwendet wird, berücksichtigt werden; dazu gehört neben der Dauer des Betriebs bei gedrücktem Auslöser auch die Berücksichtigung aller Bereiche des Betriebszyklus, beispielsweise die Häufigkeit des Abschaltens des Werkzeugs und wie lange es im Leerlauf betrieben wird.

### Etiketten am Werkzeug

Die folgenden Symbole sind am Werkzeug inkl. Datumscode angebracht:



**Warnung!** Zur Reduzierung der Verletzungsgefahr muss der Benutzer die Betriebsanleitung lesen.



Tragen Sie bei der Verwendung von Schlagbohrern Ohrschützer. Lärm kann Gehörschäden verursachen.



Blicken Sie nicht in die eingeschaltete Leuchte

### Zusätzliche Sicherheitshinweise für Akkus und Ladegeräte

#### Akkus

- Keinesfalls versuchen, den Akku zu öffnen.
- Achten Sie darauf, dass der Akku nicht mit Wasser in Berührung kommt.
- Setzen Sie den Akku keinen hohen Temperaturen aus.
- Nicht bei Temperaturen über 40 °C lagern.
- Laden Sie den Akku ausschließlich bei Umgebungstemperaturen zwischen 10 °C und 40 °C.
- Verwenden Sie ausschließlich das mit dem Gerät gelieferte Ladegerät.
- Beachten Sie bei der Entsorgung von Batterien und Akkus die Hinweise im Abschnitt "Umweltschutz".
- Der Akku darf nicht durch mechanische Krafteinwirkung oder Belastungen beschädigt oder verformt werden. Andernfalls besteht Verletzungs- und Brandgefahr.

- Laden Sie beschädigte Akkus nicht auf.
- Unter extremen Bedingungen können Akkus undicht werden. Wenn Sie feststellen, dass aus dem Akku Flüssigkeit austritt, wischen Sie diese vorsichtig mit einem Tuch ab. Vermeiden Sie Hautkontakt.
- Beachten Sie nach Haut- oder Augenkontakt die folgenden Hinweise.



**Warnung!** Batteriesäure kann Sach- oder Personenschäden verursachen. Spülen Sie die Säure bei Hautkontakt sofort mit Wasser ab. Suchen Sie einen Arzt auf, wenn sich auf der Haut Rötungen, Reizungen oder andere Irritationen zeigen. Spülen Sie das Auge nach Augenkontakt sofort mit sauberem Wasser aus, und suchen Sie einen Arzt auf.

#### Ladegeräte

Das Ladegerät ist für eine bestimmte Spannung ausgelegt. Stellen Sie sicher, dass die Netzspannung der auf dem Typenschild des Geräts angegebenen Spannung entspricht.



**Warnung!** Ersetzen Sie das Ladegerät keinesfalls durch ein normales Netzkabel.

- Verwenden Sie das Ladegerät nur für den Akku des Werkzeugs, mit dem es geliefert wurde. Andere Akkus können platzen und Sachschäden oder Verletzungen verursachen.
- Versuchen Sie keinesfalls, nicht aufladbare Batterien zu laden.
- Ist das Netzkabel beschädigt, muss es durch den Hersteller oder eine Vertragswerkstatt ausgetauscht werden, um eine mögliche Gefährdung zu vermeiden.
- Lassen Sie beschädigte Kabel sofort austauschen.
- Achten Sie darauf, dass das Ladegerät nicht mit Wasser in Berührung kommt.
- Versuchen Sie nicht, das Ladegerät zu öffnen.
- Nehmen Sie am Ladegerät keine Veränderungen vor.
- Beim Laden des Geräts/Akkus muss auf ausreichende Belüftung geachtet werden.



Das Ladegerät ist nicht für den Einsatz im Freien vorgesehen.

#### Elektrische Sicherheit



Das Ladegerät ist schutzisoliert, daher ist keine Erdung erforderlich. Überprüfen Sie immer, dass die Netzspannung der Spannung auf dem Typenschild entspricht. Versuchen Sie niemals, das Ladegerät durch einen normalen Netzstecker zu ersetzen.

- Bei einer Beschädigung des Netzkabels muss dieses durch den Hersteller oder eine BLACK+DECKER Vertragswerkstatt ausgetauscht werden, um mögliche Gefahren zu vermeiden.

## Merkmale

Dieses Werkzeug verfügt über einige oder alle der folgenden Merkmale:

1. Drehzahl-Regelschalter
2. Rechts-/Links-Schieber
3. Drehmomenteinstellung
4. Schnellspannfutter
5. Zweiganggetriebe
6. LED-Arbeitsleuchte
7. Akku
8. Akku-Löseknöpfe

## Montage

### Verwendung

**Warnung!** Beschleunigen Sie den Arbeitsvorgang nicht mit Gewalt. Vermeiden Sie eine Überlastung.

### Aufladen des Akkus (Abb. A1, A2)

Der Akku muss vor dem ersten Gebrauch geladen werden sowie immer dann, wenn bei zuvor einfach durchzuführenden Arbeiten keine ausreichende Leistung erzielt wird. Der Akku kann beim Laden warm werden; das ist normal und deutet nicht auf ein Problem hin.

**Warnung!** Laden Sie den Akku bei Temperaturen unter 10 °C oder über 40 °C auf. Empfohlene Ladetemperatur: etwa 24 °C.

**Anmerkung:** Das Ladegerät lädt keine Akkus, wenn die Zelltemperatur unter ca. 10 °C oder über 40 °C liegt. Der Akku sollte im Ladegerät verbleiben, dann beginnt das Ladegerät automatisch zu laden, wenn die Zelltemperatur sich auf einen geeigneten Wert erhöht oder verringert hat.

- ◆ Stecken Sie das Ladegerät (9) in eine normale 230 Volt/50 Hz-Steckdose.
- ◆ Schieben Sie den Akku (7) in das Ladegerät, wie in Abb. A1, A2 gezeigt.

Die LED (9a) zeigt daraufhin durch Blinken an, dass der Akku geladen wird.

Der Abschluss des Ladevorgangs wird dadurch angezeigt, dass die LED (9a) dauerhaft leuchtet. Der Akku ist vollständig aufgeladen und kann jetzt verwendet oder in der Ladestation gelassen werden.

**Warnung!** Feuergefahr. Wenn Sie den Akku vom Ladegerät trennen, ziehen Sie zuerst das Ladegerät aus der Steckdose und trennen Sie dann den Akku vom Ladegerät.

### Ladegerätdiagnose

Dieses Ladegerät wurde entwickelt, um bestimmte Probleme zu erkennen, die im Zusammenhang mit Akkus oder der Stromquelle entstehen können. Probleme werden durch eine LED angezeigt, die in verschiedenen Mustern blinkt.

### Fehlerhafter Akku

Das Ladegerät kann einen schwachen oder beschädigten Akku erkennen. Die LED blinkt mit dem auf dem Etikett angegebenen Muster. Wenn Sie dieses Blinkmuster sehen, das einen fehlerhaften Akku anzeigt, setzen Sie den Ladevorgang nicht fort. Senden Sie den Akku zum Recycling an eine Vertragswerkstatt oder eine Recyclingstelle.

### Verzögerung bei heißem/kaltem Akku

Wenn das Ladegerät einen extrem heißen oder kalten Akku erkennt, startet es automatisch eine Verzögerung bei heißem/kaltem Akku, die das Laden verhindert, bis der Akku eine normale Temperatur erreicht hat. Danach wechselt das Ladegerät automatisch in den Akkulademodus. Diese Funktion sorgt für eine maximale Lebensdauer des Akkus. Das Licht blinkt mit dem auf dem Etikett angegebenen Muster.

### Akku im Ladegerät lassen

Ladegerät und Akku können miteinander verbunden bleiben, die LED leuchtet dann dauerhaft. Das Ladegerät hält den Akku dann frisch und vollständig aufgeladen. Dieses Ladegerät verfügt über einen automatischen Abstimmungsmodus, der einzelne Zellen im Akku so ausgleicht, dass sie mit Höchstkapazität funktionieren können. Akkus sollten wöchentlich oder immer dann abgestimmt werden, wenn der Akku nicht mehr die gewohnte Leistung erbringt. Um den automatischen Abstimmungsmodus zu verwenden, stecken Sie den Akku in das Ladegerät und lassen Sie ihn für mindestens 8 Stunden darin.

### Wichtige Hinweise zum Aufladen

- ◆ Die längste Lebensdauer und die beste Leistung können erhalten werden, wenn der Akku dann aufgeladen wird, wenn die Lufttemperatur zwischen 18 ° – 24 °C liegt. Laden Sie den Akku NICHT bei einer Lufttemperatur unter +4,5 °C oder über +40 °C auf. Dies ist wichtig und verhindert eine ernsthafte Beschädigung des Akkus.
- ◆ Ladegerät und Akku können sich während des Ladevorgangs warm anfühlen. Das ist normal und deutet nicht auf ein Problem hin. Um das Abkühlen des Akkus nach Gebrauch zu erleichtern, vermeiden Sie es, das Ladegerät oder den Akku in einer warmen Umgebung wie in einem Metallschuppen oder einem unisolierten Anhänger aufzubewahren.
- ◆ Wenn der Akku nicht richtig aufgeladen wird:
  - ◆ Überprüfen Sie die Funktionsfähigkeit der Steckdose durch Einstecken einer Lampe oder eines anderen Geräts;
  - ◆ Überprüfen Sie, ob die Steckdose an einen Lichtschalter angeschlossen ist, der die Stromversorgung trennt, wenn Sie das Licht ausschalten;



- ◆ Bringen Sie Ladegerät und Akku an einen Ort, wo die umgebende Lufttemperatur etwa 18 ° – 24 °C beträgt;
- ◆ Wenn die Ladeprobleme weiterhin bestehen, bringen Sie das Werkzeug, den Akku und das Ladegerät zu Ihrer lokalen Vertragswerkstatt.
- ◆ Der Akku sollte aufgeladen werden, wenn bei zuvor einfach durchzuführenden Arbeiten keine ausreichende Leistung erzielt wird. Unter diesen Bedingungen NICHT WEITER VERWENDEN. Beachten Sie den Ladevorgang. Sie können auch jederzeit einen teilweise verbrauchten Akku aufladen, ohne dass dies negative Auswirkungen auf den Akku hat.
- ◆ Fremdmaterialien leitender Natur wie, unter anderem, Schleifstaub, Metallspäne, Stahlwolle, Aluminiumfolie oder Ansammlungen von Metallpartikeln, sollte von Hohlräumen des Ladegeräts ferngehalten werden. Ziehen Sie den Netzstecker des Ladegerätes vor dem Reinigen aus der Steckdose.
- ◆ Das Ladegerät nicht in Wasser oder anderen Flüssigkeiten einfrieren oder darin eintauchen.

### Einsetzen und Entfernen des Akkus aus dem Werkzeug (Abb. B)

**Warnung!** Stellen Sie vor dem Einsetzen und Entfernen des Akkus sicher, dass der Verriegelungsschalter (2) eingerastet ist, um zu verhindern, dass das Werkzeug eingeschaltet wird. Einsetzen des Akkus:

- ◆ Setzen Sie den Akku (7) in das Werkzeug ein, bis ein Klicken zu hören ist (Abb. B)

### Entfernen des Akkus aus dem Werkzeug (Abb. C)

- ◆ Drücken Sie den Akku-Löseknopf (8) wie in (Abb. C) gezeigt und ziehen Sie den Akku aus dem Werkzeug.

### Bedienanweisungen

#### Auslöseschalter und Umschaltknopf (Abb. D)

- ◆ Der Bohrer wird durch Ziehen und Loslassen des Auslöseschalters (1) ein- und ausgeschaltet. Je weiter der Auslöser eingedrückt wird, desto höher ist die Geschwindigkeit des Bohrers.
- ◆ Ein Regler (2) für Rechts- oder Linksdrehung bestimmt die Drehrichtung des Werkzeugs und dient auch als Verriegelungsschalter.
- ◆ Für Rechtsdrehung (vorwärts) lassen Sie den Auslöseschalter los und drücken den Drehrichtungsknopf nach links.
- ◆ Um den Linkslauf auszuwählen, drücken Sie den Drehrichtungsknopf in die entgegengesetzte Richtung.

**Anmerkung:** In der mittleren Stellung des Reglers ist das Werkzeug in der AUS-Stellung verriegelt. Achten Sie darauf,

dass der Auslöseschalter entriegelt ist, wenn Sie diesen Regler verstellen.

#### Drehmomentkontrolle (Abb. E)

Dieses Werkzeug ist mit einem Drehmomenteinstellung (3) ausgestattet, um die Betriebsart auszuwählen und das Drehmoment zum Anziehen von Schrauben einzustellen. Große Schrauben und harte Werkstückmaterialien erfordern ein höheres Drehmoment als kleine Schrauben und weiche Werkstückmaterialien.

- ◆ Zum Bohren in Holz, Metall und Kunststoff den Einstellring auf das Symbol für die Bohrposition drehen.
- ◆ Zum Eindrehen von Schrauben den Einstellring auf die gewünschte Position drehen. Wenn die richtige Einstellung noch nicht bekannt ist, gehen Sie folgendermaßen vor:
- ◆ Stellen Sie den Einstellring auf die niedrigste Drehmomenteinstellung.
- ◆ Ziehen Sie die erste Schraube an.
- ◆ Wenn die Kupplung ratscht, bevor das gewünschte Ergebnis erzielt wurde, erhöhen Sie die Einstellung des Einstellrings und ziehen Sie die Schraube weiter fest. Wiederholen Sie dies, bis die richtige Einstellung erreicht ist. Verwenden Sie diese Einstellung für die restlichen Schrauben.

#### Schnellspannfutter (Abb. F)

**Warnung!** Stellen Sie vor dem Anbringen oder Entfernen von Zubehör sicher, dass der Verriegelungsschalter (2) eingerastet ist, um zu verhindern, dass das Werkzeug eingeschaltet wird. So setzen Sie ein Bohrerbit oder ein anderes Zubehörteil ein:

- ◆ Fassen Sie die hintere Hälfte des Spannfutters (4) mit einer Hand und drehen Sie die vordere Hälfte mit der anderen Hand vom Spannfutterende aus gesehen entgegen dem Uhrzeigersinn.
- ◆ Setzen Sie das Bit oder das entsprechende Zubehörteil vollständig in das Spannfutter ein und ziehen Sie es fest an, indem Sie die hintere Hälfte des Spannfutters festhalten und den vorderen Teil vom Spannfutterende aus gesehen im Uhrzeigersinn drehen.

**Warnung!** Versuchen Sie nicht, Bohrvorsätze (oder anderes Zubehör) einzusetzen, indem Sie das Spannfutter vorne fassen und das Gerät einschalten. Beim Wechseln von Zubehör können Schäden am Spannfutter und Verletzungen auftreten.

#### Dual-Gangschaltung (Abbildung G)

Das Zweiganggetriebe an Ihrem Bohrer ermöglicht den Gangwechsel für eine größere Anpassungsfähigkeit. Zur Auswahl der niedrigen Geschwindigkeit mit hoher Drehzahl (Position 1) schalten Sie das Gerät aus und lassen es auslaufen. Schieben Sie den Gangschalter (5) vom Spannfutter weg. Zur Auswahl der hohen Geschwindigkeit mit

niedriger Drehzahl (Position 2) schalten Sie das Gerät aus und lassen es auslaufen. Schieben Sie den Gangschalter in Richtung Spannfutter.

**Anmerkung:** Wechseln Sie nicht die Gänge, während das Werkzeug läuft. Bei Problemen beim Gangwechsel prüfen Sie, dass der Gangschalter entweder komplett nach vorne oder hinten geschoben ist.

### Bohren/Schrauben

- ◆ Um den Rechts- oder Linkslauf auszuwählen, verwenden Sie den Rechts-/Links-Schieberegler (2).
- ◆ Drücken Sie zum Einschalten des Werkzeugs den Schalter (1) ein. Die Werkzeuggeschwindigkeit hängt davon ab, wie weit Sie den Schalter eindrücken.
- ◆ Zum Ausschalten des Werkzeugs lassen Sie den Schalter los.

### Hinweise für optimale Arbeitsergebnisse

#### Bohren

- ◆ Verwenden Sie nur scharfe Bohrerbits.
- ◆ Stützen und sichern Sie Werkstücke angemessen ab, wie in den Sicherheitshinweisen beschrieben.
- ◆ Verwenden Sie geeignete und erforderliche Sicherheitsausrüstung, wie in den Sicherheitshinweisen beschrieben.
- ◆ Sichern Sie den Arbeitsbereich und halten Sie ihn aufgeräumt, wie in den Sicherheitshinweisen beschrieben.
- ◆ Führen Sie den Bohrer sehr langsam mit leichtem Druck in das Werkstück, bis das Loch tief genug ist, dass der Bohrer nicht mehr herausrutscht.
- ◆ Üben Sie Druck immer in gerader Linie zum Bohreinsatz aus. Üben Sie genug Druck aus, dass der Bohreinsatz schneidet, aber nicht so viel, dass der Motor abgewürgt wird oder der Bohreinsatz abrutscht.
- ◆ Halten Sie den Bohrer mit beiden Händen fest, um seine Drehwirkung zu kontrollieren.
- ◆ **DRÜCKEN SIE NICHT WIEDERHOLT DEN AUSLÖSER EINES ABGEWÜRGTEN BOHRES IN DEM VERSUCH, IHN NEU ZU STARTEN. SCHÄDEN AM BOHRER KÖNNEN DIE FOLGE SEIN.**
- ◆ Minimieren Sie die Gefahr des erneuten Abwürgens, indem Sie den Druck reduzieren und langsam durch den letzten Teil des Lochs bohren.
- ◆ Lassen Sie den Motor weiterlaufen, während Sie den Bohreinsatz aus dem Bohrloch ziehen. Das reduziert ein Verklemmen.
- ◆ Stellen Sie sicher, dass sich der Bohrer mit dem Schalter ein- und ausschalten lässt.

#### Bohren in Holz

Löcher in Holz können mit den gleichen Spiralbohrerbits hergestellt werden, die für Metall verwendet werden, oder mit

Flachbohrerbits. Die Bits müssen scharf sein und sollten beim Bohren häufig herausgezogen werden, um Späne aus den Rillen zu entfernen.

#### Bohren in Metall

Verwenden Sie beim Bohren von Metallen ein Schneidöl. Die Ausnahmen sind Gusseisen und Messing, die trocken gebohrt werden sollten. Die am besten geeigneten Schneidschmierstoffe sind sulfuriertes Schneidöl oder Schmalzöl.

#### Bohren in Mauerwerk

Stellen Sie zum Bohren in Mauerwerk den Einstellung (3) auf die Position zum Schlagbohren, indem Sie das entsprechende Symbol an der Markierung ausrichten. Schieben Sie den Drehzahlwähler (5) zur Vorderseite des Werkzeugs (2. Gang).

#### Schraubendrehen

- ◆ Verwenden Sie nur Schraubendreherbits vom richtigen Typ und in der richtigen Größe.
- ◆ Wenn sich Schrauben nur schwer anziehen lassen, versuchen Sie, eine kleine Menge Spülmittel oder Seife als Schmiermittel aufzutragen.
- ◆ Halten Sie das Werkzeug und das Schraubendreherbit stets in einer geraden Linie mit der Schraube.

### Fehlerbehebung

Problem	Mögliche Ursache	Mögliche Lösung
Gerät startet nicht.	Akku nicht aufgeladen.	Ladeanforderungen für den Akku überprüfen
Akku wird nicht aufgeladen.	Ladegerät ist nicht in die Steckdose eingesteckt. Umgebungslufttemperatur zu hoch oder zu niedrig.	Ladegerät an eine funktionierende Steckdose anschließen. Ladegerät und Akku auf eine Umgebungstemperatur von über +4,5 °C oder unter +40,5 °C bringen.
Das Gerät schaltet sich abrupt ab.	Der Akku hat seine maximale thermische Grenze erreicht. Akku ist nicht genügend aufgeladen. (Um die Lebensdauer des Akkus zu maximieren, wird er abrupt abgeschaltet, wenn er nicht genügend aufgeladen ist.)	Akku abkühlen lassen. Akku mit Ladegerät verbinden und aufladen lassen.

#### Wartung

Ihr BLACK+DECKER-Elektrowerkzeug wurde für langfristigen Betrieb mit minimalem Wartungsaufwand konstruiert. Ein dauerhafter, einwandfreier Betrieb setzt sorgfältige Pflege und regelmäßige Reinigung voraus. Abgesehen von der regelmäßigen Reinigung ist Ihr Ladegerät wartungsfrei.

**Warnung!** Bevor Sie Wartungsarbeiten am Werkzeug durchführen, nehmen Sie den Akku aus dem Werkzeug. Ziehen Sie vor dem Reinigen des Ladegeräts den Netzstecker.

- ◆ Reinigen Sie regelmäßig die Lüftungsschlitze Ihres Werkzeugs und Ladegeräts mit einer weichen Bürste oder einem trockenen Tuch.
- ◆ Reinigen Sie das Motorgehäuse regelmäßig mit einem feuchten Tuch. Verwenden Sie keine scheuernden Reinigungsmittel oder solche auf Lösungsmittelbasis.
- ◆ Öffnen Sie das Spannfutter regelmäßig und klopfen Sie es aus, um Staub aus dem Inneren zu entfernen.

## Umweltschutz



Getrennte Entsorgung. Produkte und Akkus mit diesem Symbol dürfen nicht mit dem normalen Hausmüll entsorgt werden.

Produkte und Akkus enthalten Materialien, die wiederverwertet werden können, um den Bedarf an Rohstoffen zu verringern. Bitte recyceln Sie elektrische Produkte und Akkus gemäß den örtlichen Bestimmungen. Weitere Informationen finden Sie auf [www.2helpU.com](http://www.2helpU.com)

## Technische Daten

		BCD003
Spannung	$V_{DC}$	18
Leerlaufdrehzahl	$Min^{-1}$	0 - 360/0 - 1400
Max. Drehmoment	Nm	45
Bohrfutterspannweite	mm	1-10
Max. Bohrtiefe		
Stahl/Holz/Mauerwerk	mm	10/25/10
Gewicht	kg	0,9

Ladegerät		905902**	906349**
Eingangsspannung	$V_{AC}$	230	230
Ausgangsspannung	$V_{DC}$	18	18
Strom	mA	400	1A
Geschätzte Ladedauer	Stunden	3 - 11	1.5 - 4

Akku		BL1518
Spannung	$V_{DC}$	18
Kapazität	Ah	1.5
Typ		Li-Ionen

Schalldruckpegel gemäß EN 62841:
Schalldruck ( $L_{pA}$ ) 86,0 dB(A), Unsicherheitsfaktor (K) 5 dB(A)
Schalleistung ( $L_{WA}$ ) 97,0 dB(A), Unsicherheitsfaktor (K) 5 dB(A)
Gesamtvibrationswerte (Triax-Vektorsumme) gemäß EN 62841:
Bohren in Beton ( $a_{h,d}$ ) 6,8 $m/s^2$ , Unsicherheitsfaktor (K) 1,5 $m/s^2$
Bohren in Metall ( $a_{h,d}$ ) 1,8 $m/s^2$ , Unsicherheitsfaktor (K) 1,5 $m/s^2$

## EU-Konformitätserklärung

MASCHINENRICHTLINIE



BCD003 - Schlagbohrer

Black & Decker erklärt, dass die unter „Technische Daten“ beschriebenen Geräte übereinstimmen mit: 2006/42/EC, EN62841-1:2015, EN62841-2-1:2018+A11:2019.

Diese Produkte entsprechen außerdem den Richtlinien 2014/30/EU und 2011/65/EU. Weitere Informationen erhalten Sie von Black & Decker unter der folgenden Adresse. Diese befindet sich auch auf der Rückseite dieser Anleitung.

Der Unterzeichnete ist verantwortlich für die Zusammenstellung des technischen Dossiers und gibt diese Erklärung im Namen von Black&Decker ab.

*Patrick Diepenbach*

Patrick Diepenbach  
General Manager, Benelux  
Black and Decker,  
Egide Walschaertsstraat 14-18  
2800 Mechelen, Belgien  
10.09.2021

## Garantie

Black & Decker vertraut auf die Qualität der eigenen Geräte und bietet dem Käufer eine außergewöhnliche Garantie von 24 Monaten ab Kaufdatum. Diese Garantie versteht sich unbeschadet der gesetzlichen Gewährleistungsansprüche und schränkt diese keinesfalls ein. Diese Garantie gilt innerhalb der Staatsgebiete der Mitgliedstaaten der Europäischen Union und der Europäischen Freihandelszone.

Zur Inanspruchnahme dieser Garantie muss sie den allgemeinen Geschäftsbedingungen von Black & Decker entsprechen und dem Verkäufer bzw. der Vertragswerkstatt ist ein Kaufnachweis vorzulegen.

Die Bedingungen für die 2-jährige Garantie von Black & Decker und den Standort Ihrer nächstgelegenen Vertragswerkstatt finden Sie im Internet unter **www.2helpU.com** oder indem Sie sich an die lokale Black & Decker-Niederlassung wenden, deren Adresse Sie in dieser Anleitung finden.

Bitte besuchen Sie unsere Website unter **www.black-and-decker.de**, um Ihr neues Black & Decker-Produkt zu registrieren. Dort erhalten Sie auch Informationen über neue Produkte und Sonderangebote.

## Utilisation prévue

Votre perceuse à percussion BLACK+DECKER BCD003 a été conçue pour visser et pour percer le bois, le métal et la maçonnerie. Cet outil est destiné à un usage grand public uniquement.

## Consignes de sécurité

### Avertissements de sécurité générale propres aux outils électriques



**Avertissement ! Veuillez lire tous les avertissements de sécurité, toutes les instructions, toutes les illustrations et toutes les spécifications fournies avec cet outil électrique. Le non-respect de toutes les instructions listées ci-dessous peut conduire à des décharges électriques, des incendies et/ou de graves blessures.**

**Conservez tous les avertissements et toutes les instructions afin de pouvoir vous y référer dans le futur.** Le terme "outil électrique" mentionné dans tous les avertissements listés ci-dessous fait référence à vos outils électriques branchés sur secteur (avec câble) ou fonctionnant sur pile ou batterie (sans fil).

#### 1. Sécurité de la zone de travail

- a. **Gardez la zone de travail propre et bien éclairée.** Les zones sombres ou encombrées sont propices aux accidents.
- b. **N'utilisez pas d'outils électriques dans un environnement présentant des risques d'explosion ou en présence de liquides, gaz ou poussières inflammables.** Les outils électriques créent des étincelles qui peuvent enflammer les poussières et les fumées.
- c. **Maintenez les enfants et les autres personnes à l'écart lorsque les outils électriques sont en marche.** Toute distraction peut vous faire perdre le contrôle de l'outil.

#### 2. Sécurité électrique

- a. **Les prises des outils électriques doivent correspondre à la prise de courant murale. Ne modifiez jamais la prise d'aucune sorte. N'utilisez aucun adaptateur avec des outils électriques reliés à la terre.** L'utilisation de prises d'origine et de prises murales appropriées permet de réduire le risque de décharge électrique.
- b. **Évitez tout contact physique avec des surfaces reliées à la terre comme des tuyaux, des radiateurs, des fours et des réfrigérateurs par exemple.** Le risque de décharge électrique augmente si votre corps est relié à la terre.

- c. **N'exposez pas les outils électriques à la pluie, ni à l'humidité.** Le risque de décharge électrique augmente si de l'eau pénètre dans un outil électrique.
- d. **Ne tirez pas sur le cordon d'alimentation. N'utilisez jamais le cordon pour transporter, tirer ou débrancher l'outil électrique. Maintenez le cordon à l'écart de la chaleur, des substances grasses, des bords tranchants ou des pièces mobiles.** Les cordons endommagés ou emmêlés augmentent le risque de décharge électrique.
- e. **Si vous utilisez un outil électrique à l'extérieur, utilisez une rallonge homologuée pour les travaux extérieurs.** L'utilisation d'une rallonge électrique homologuée pour les travaux en extérieur réduit le risque de décharge électrique.
- f. **Si l'utilisation d'un outil électrique dans un endroit humide est inévitable, utilisez une alimentation électrique protégée par un disjoncteur différentiel à courant résiduel (DDR).** L'utilisation d'un DDR réduit le risque de décharge électrique.

#### 3. Sécurité des personnes

- a. **Restez vigilant, surveillez ce que vous faites et faites preuve de bon sens lorsque vous utilisez un outil électrique. N'utilisez pas d'outils électriques si vous êtes fatigué ou sous l'influence de drogue, d'alcool ou de médicaments.** Tout moment d'inattention pendant l'utilisation d'un outil électrique peut engendrer de graves blessures.
- b. **Portez des équipements de protection individuelle. Portez toujours une protection oculaire.** Les équipements de protection comme les masques anti-poussière, les chaussures de sécurité antidérapantes, les casques ou les protections auditives utilisés à bon escient réduisent le risque de blessures.
- c. **Empêchez tout démarrage intempestif. Assurez-vous que l'interrupteur est en position Arrêt avant de raccorder l'outil à l'alimentation électrique et/ou au bloc-batterie ou avant de ramasser ou de transporter l'outil.** Le fait de transporter les outils électriques le doigt sur l'interrupteur ou d'alimenter les outils électriques dont l'interrupteur est déjà en position de marche augmente les accidents.
- d. **Retirez toutes les clés ou pinces de réglage avant de mettre l'outil en marche.** Une clé ou une pince restée fixée à la partie rotative de l'outil électrique peut engendrer des blessures.
- e. **Ne vous penchez pas. Gardez les pieds bien ancrés au sol et conservez votre équilibre en permanence.** Cela permet de mieux maîtriser l'outil électrique en cas de situations imprévues.

- f. **Portez des vêtements appropriés. Ne portez aucuns vêtements amples, ni bijoux. Gardez vos cheveux, vos vêtements et vos gants à l'écart des pièces mobiles.** Les vêtements amples, les bijoux ou les cheveux longs peuvent être happés par les pièces mobiles.
- g. **Si vous disposez de dispositifs pour l'extraction et la récupération des poussières, veillez à ce qu'ils soient correctement raccordés et utilisés.** L'utilisation de dispositifs récupérateurs de poussières réduit les risques liés aux poussières.
- h. **Ne pensez pas être à ce point familiarisé avec l'outil après l'avoir utilisé à de nombreuses reprises, au point de ne plus rester vigilant et d'en oublier les consignes de sécurité.** Toute action imprudente peut engendrer de graves blessures en une fraction de seconde.
4. **Utilisation et entretien d'un outil électrique**
- a. **Ne sur-sollicitez pas l'outil électrique. Utilisez le bon outil électrique, adapté à la tâche à réaliser.** Un outil adapté fonctionne mieux, de façon plus sûre et à la cadence pour laquelle il a été conçu.
- b. **N'utilisez pas l'outil électrique si l'interrupteur ne permet plus de le mettre en marche et de l'éteindre.** Tout appareil électrique qui ne peut plus être commandé par son interrupteur est dangereux et doit être réparé.
- c. **Débranchez la prise de l'outil électrique de la source d'alimentation électrique et/ou retirez-en le bloc-batterie s'il est amovible, avant d'effectuer tout réglage, de changer un accessoire ou de ranger l'outil électrique.** Ces mesures de sécurité préventives réduisent le risque de démarrage accidentel de l'outil électrique.
- d. **Rangez les outils électriques non utilisés hors de portée des enfants et ne laissez aucune personne ne connaissant pas ces outils ou leurs instructions d'utilisation les faire fonctionner.** Les outils électriques peuvent être dangereux entre des mains inexpérimentées.
- e. **Entretenez vos outils électriques et leurs accessoires. Vérifiez que les pièces mobiles sont alignées correctement et qu'elles ne sont pas coincées. Vérifiez qu'aucune pièce n'est cassée et contrôlez l'absence de toute autre condition qui pourrait nuire au bon fonctionnement de l'outil. En cas de dommage, faites réparer l'outil électrique avant de le réutiliser.** De nombreux accidents sont provoqués par des outils électriques mal entretenus.
- f. **Maintenez les outils de coupe affûtés et propres.** Des outils de coupe bien entretenus dont le tranchant est affûté sont moins susceptibles de rester coincés et sont plus faciles à contrôler.
- g. **Utilisez l'outil électrique, les accessoires et les embouts d'outils conformément à ces instructions, en tenant compte des conditions de travail et de la tâche à effectuer.** L'utilisation d'un outil électrique à des fins autres que celles pour lesquelles il a été prévu engendre des situations dangereuses.
- h. **Maintenez toutes les poignées et surfaces de préhension sèches, propres et exemptes d'huile et de graisse.** Des poignées et des surfaces de préhension glissantes ne permettent pas de manipuler et de contrôler l'outil correctement en cas de situations inattendues.
5. **Utiliser et entretenir un outil fonctionnant sur batterie (ne concerne que les outils fonctionnant sur batterie)**
- a. **N'effectuez la recharge qu'à l'aide du chargeur spécifié par le fabricant.** Un chargeur adapté pour un type de bloc-batterie peut engendrer un risque d'incendie s'il est utilisé avec un bloc-batterie différent.
- b. **N'utilisez l'outil électrique qu'avec les blocs-batteries spécifiquement prévus.** L'utilisation d'un autre bloc-batterie peut créer un risque de blessures et d'incendie.
- c. **Quand le bloc-batterie n'est pas utilisé, éloignez-le d'objets en métal comme des agrafes, des pièces, des clés, des clous, des vis ou autres petits objets qui pourraient établir une connexion d'une borne à l'autre.** La mise en court-circuit des bornes d'une batterie peut provoquer des brûlures ou un incendie.
- d. **Dans des conditions extrêmes, du liquide peut être éjecté de la batterie. Évitez tout contact. En cas de contact accidentel, rincez à l'eau. En cas de contact avec les yeux, consultez en plus un médecin.** Le liquide sortant de la batterie peut provoquer des irritations ou des brûlures.
- e. **N'utilisez jamais un bloc-batterie ou un outil qui est endommagé ou qui a été modifié.** Les batteries endommagées ou modifiées peuvent avoir un comportement imprévisible qui peut conduire à un incendie, une explosion ou à un risque de blessure.
- f. **N'exposez pas le bloc-batterie ou l'outil au feu ou à des températures excessives.** L'exposition au feu ou à des températures dépassant 130 °C peut provoquer une explosion. REMARQUE : La température "130 °C" peut être remplacée par la température "265 °F".
- g. **Respectez toutes les consignes de mise en charge et ne rechargez pas le bloc-batterie ou l'outil en dehors de la plage de températures spécifiée dans les instructions.** Une mise en charge mal effectuée ou à des températures hors de la plage spécifiée peut endommager le bloc-batterie et augmenter le risque d'incendie.

## 6. Révision/Réparation

- a. **Faites réviser/réparer votre outil électrique par une personne qualifiée, n'utilisant que des pièces de rechange d'origine.** Cela permet de garantir la sûreté de l'outil électrique.
- b. **Ne réparez jamais un bloc-batterie endommagé.** Les réparations sur les blocs-batteries ne doivent être effectuées que par le fabricant ou l'un de ses prestataires de services agréés (ne concerne que les outils fonctionnant sur batterie).

### Consignes de sécurité pour toutes les opérations

- Portez des protections auditives pour le perçage à percussion. L'exposition au bruit peut provoquer la perte de l'ouïe.
- Tenez l'outil électrique par ses surfaces de préhension isolées lorsque vous l'utilisez dans des endroits où l'accessoire de coupe ou la fixation peut entrer en contact avec des fils cachés. Tout contact de l'accessoire de coupe ou de la fixation avec un fil sous tension peut mettre les parties métalliques exposées de l'outil électrique sous tension et provoquer une décharge électrique à l'utilisateur.

### Consignes de sécurité pour l'utilisation des longs forets

- Ne les utilisez jamais à une vitesse supérieure à leur vitesse nominale maximum. À grande vitesse, la mèche peut plier si elle tourne dans le vide, sans être en contact avec l'ouvrage et des blessures sont possibles.
- Commencez toujours à percer à faible vitesse alors que la pointe de la mèche est en contact avec l'ouvrage. À grande vitesse, la mèche peut plier si elle tourne dans le vide, sans être en contact avec l'ouvrage et des blessures sont possibles.
- N'exercez qu'une faible pression, toujours perpendiculaire sur la mèche. Les mèches peuvent plier et casser provoquant une perte de contrôle et des blessures.

### Avertissements de sécurité supplémentaires propres aux perceuses/visseuses et aux marteaux perforateurs

- Utilisez des pinces ou tout autre moyen pratique pour fixer et soutenir la pièce à travailler sur une plateforme stable. Tenir la pièce à travailler à la main ou contre votre corps la rend instable et peut conduire à une perte de contrôle.
- Les accessoires et les outils peuvent devenir chauds pendant l'utilisation. Portez des gants pour les manipuler lorsque vous réalisez des opérations qui produisent de la chaleur comme le perçage du métal par exemple.

- Les événements d'aération recouvrent souvent les pièces mobiles et doivent être évités. Les vêtements amples, les bijoux ou les cheveux longs peuvent être happés par les pièces mobiles.
- Portez des lunettes de protection ou un autre moyen de protection oculaire. Les opérations de perçage et de perçage à percussion peuvent projeter des éclats. Les particules volantes peuvent endommager vos yeux de façon permanente.
- Portez des protections auditives pour le perçage à percussion. L'exposition au bruit peut provoquer la perte de l'ouïe.
- Utilisez les poignées auxiliaires, si fournies avec l'outil. La perte de contrôle peut provoquer des blessures.
- N'utilisez pas cet outil de manière prolongée. Les vibrations engendrées par l'outil peuvent être nocives pour les mains et les bras. Utilisez des gants pour les amortir et limitez l'exposition en faisant régulièrement des pauses.

### Sécurité des personnes

- Cet appareil peut être utilisé par des enfants âgés de 8 ans ou plus et par des personnes aux capacités physiques, mentales ou sensorielles déficientes ou qui manquent d'expérience ou de connaissance s'ils sont supervisés ou ont été formés sur l'utilisation sûre de l'appareil et qu'ils sont conscients des risques potentiels.
- Ne laissez pas les enfants jouer avec l'appareil. Le nettoyage et la maintenance à réaliser par l'utilisateur ne doivent pas être entrepris par des enfants sans surveillance.

### Risques résiduels

Certains risques résiduels autres que ceux mentionnés dans les avertissements sur la sécurité peuvent survenir en utilisant l'outil.

Ces risques peuvent être provoqués par une utilisation incorrecte, prolongée, etc...

Malgré l'application des normes de sécurité pertinentes et la présence de dispositifs de sécurité, certains risques résiduels ne peuvent pas être évités. Ils comprennent :

- ◆ Les blessures dues au contact avec des pièces rotatives/mobiles.
- ◆ Les blessures dues au remplacement de pièces, de lames ou d'accessoires.
- ◆ Les blessures dues à l'utilisation prolongée d'un outil. Lorsque l'outil est utilisé pendant de longues périodes, assurez-vous de faire des pauses régulières.
- ◆ La diminution de l'acuité auditive.
- ◆ Les risques pour la santé provoqués par l'inhalation des poussières générées pendant l'utilisation de votre outil (exemple : travail avec du bois, surtout le chêne, le hêtre et les panneaux en MDF).

## Vibrations

La valeur des émissions de vibrations déclarée dans la section Caractéristiques techniques et la déclaration de conformité a été mesurée selon une méthode de test standard fournie par la norme EN 62841 et peut être utilisée pour comparer un outil à un autre. La valeur des émissions de vibrations déclarée peut aussi être utilisée pour une évaluation préliminaire de l'exposition.



**Attention !** En fonction de la manière dont l'outil est utilisé, la valeur des émissions de vibrations réelles pendant l'utilisation de l'outil peut différer de la valeur déclarée. Le niveau des vibrations peut dépasser le niveau déclaré.

Quand l'exposition aux vibrations est évaluée afin de déterminer les mesures de sécurité requises par la norme 2002/44/CE pour protéger les personnes utilisant régulièrement des outils électriques, cette estimation doit tenir compte des conditions réelles d'utilisation et de la façon dont l'outil est utilisé. Il faut également tenir compte de toutes les composantes du cycle de fonctionnement comme la durée pendant laquelle l'outil est arrêté et quand il fonctionne au ralenti, ainsi que la durée du déclenchement.

## Étiquettes apposées sur l'outil

Outre le code date, les symboles suivants sont apposés sur l'outil :



**Attention !** Afin de réduire le risque de blessures, l'utilisateur doit lire le manuel d'utilisation.



Portez des protections auditives pour utiliser une perceuse à percussion. L'exposition au bruit peut provoquer la perte de l'ouïe.



Ne regardez pas directement la lampe allumée

## Consignes de sécurité supplémentaires propres aux batteries et chargeurs

### Batteries

- Ne tentez de les ouvrir sous aucun prétexte.
- N'exposez pas la batterie à l'eau.
- N'exposez pas la batterie à la chaleur.
- Ne la rangez pas dans des endroits où la température peut dépasser 40 °C.
- Ne procédez à la charge qu'à une température ambiante comprise entre 10 °C et 40 °C.
- Ne procédez à la charge qu'avec le chargeur fourni avec l'appareil/outil.

- Au moment de jeter les batteries, respectez les instructions mentionnées à la section "Protection de l'environnement".
- Ne déformez/n'endommagez pas le bloc-batterie en le perçant ou en le cognant, ceci pourrait entraîner des blessures et un incendie.
- Ne rechargez pas des batteries endommagées.
- Dans des conditions extrêmes, une batterie peut fuir. Si vous détectez une fuite, utilisez un chiffon pour essuyer le liquide avec précaution. Évitez tout contact avec la peau.
- En cas de contact avec la peau ou les yeux, suivez les instructions ci-dessous.



**Attention !** Le liquide de la batterie peut provoquer des blessures ou des dégâts matériels. En cas de contact avec la peau, rincez immédiatement à l'eau. Si des rougeurs, une douleur ou une irritation se produisent, consultez un médecin. En cas de contact avec les yeux, rincez immédiatement à l'eau et consultez un médecin.

### Chargeurs

Votre chargeur a été conçu pour une tension spécifique. Vérifiez toujours que la tension du réseau électrique correspond à la tension figurant sur la plaque signalétique.



**Attention !** N'essayez jamais de remplacer le module de charge par une prise de courant ordinaire.

- N'utilisez votre chargeur que pour recharger la batterie fournie avec l'outil. D'autres batteries pourraient exploser et provoquer des blessures et des dommages.
- Ne tentez jamais de recharger des piles non rechargeables.
- Si le câble d'alimentation est endommagé, il doit être remplacé par le fabricant ou par un centre d'assistance agréé afin d'éviter les risques éventuels.
- Faites immédiatement remplacer les cordons endommagés.
- N'exposez pas le chargeur à l'eau.
- N'ouvrez pas le chargeur.
- Ne sondez pas le chargeur.
- Pendant la charge, placez l'appareil/l'outil/la batterie dans un endroit correctement aéré.



Le chargeur est conçu pour être exclusivement utilisé à l'intérieur.

### Sécurité électrique



Votre chargeur dispose d'une double isolation, aucune liaison à la terre n'est donc nécessaire. Vérifiez toujours que la tension du réseau électrique correspond à la tension figurant sur la plaque signalétique. N'essayez jamais de remplacer le module de charge par une prise secteur ordinaire.



- ◆ Si le câble d'alimentation est endommagé, il doit être remplacé par le fabricant ou par un centre d'assistance agréé BLACK+DECKER afin d'éviter tout risque.

## Caractéristiques

Cet outil dispose de tout ou partie des éléments suivants.

1. Interrupteur variateur de vitesse
2. Curseur de réglage du sens de rotation avant/arrière
3. Bague de réglage du couple
4. Mandrin sans clé
5. Système d'engrenage à deux vitesses
6. Éclairage de travail à LED
7. Batterie
8. Bouton de libération de la batterie

## Assemblage

### Utilisation

**Avertissement !** Laissez l'outil fonctionner à son propre rythme. Ne le poussez pas au-delà de sa limite.

### Recharger la batterie (Fig. A1, A2)

La batterie doit être rechargée avant la première utilisation et chaque fois qu'elle n'apporte plus assez de puissance pour les travaux réalisés sans peine auparavant. La batterie peut devenir chaude pendant la charge. Ceci est un phénomène normal qui ne présente aucun problème.

**Avertissement !** Ne rechargez pas la batterie à une température ambiante inférieure à 10°C ou supérieure à 40°C. La température de charge recommandée est d'environ 24°C.

**Remarque :** Le chargeur ne recharge pas la batterie si la température de la cellule est inférieure à environ 10°C ou supérieure à 40°C.

**La batterie doit rester dans le chargeur qui démarre automatiquement la charge quand la température de la cellule augmente ou diminue.**

- ◆ Branchez le chargeur (9) dans une prise électrique standard de 230 Volts 50 Hz.
- ◆ Insérez le bloc-batterie (7) dans le chargeur comme illustré par les figures A1, A2.

Le voyant (9a) clignote pour indiquer que la batterie est en charge.

La fin de la charge est indiquée par le voyant (9a) restant fixe en continu. Le bloc est alors complètement rechargé et il peut soit être utilisé, soit être laissé dans le chargeur.

**Avertissement !** Risque d'incendie. Au moment de retirer la batterie du chargeur, assurez-vous de d'abord débrancher le chargeur de la prise de courant avant de retirer la batterie du chargeur.

## Diagnostics du chargeur

Ce chargeur a été conçu pour détecter certains problèmes qui peuvent survenir avec les blocs-batteries ou la source d'alimentation.

Les problèmes sont signalés par un voyant clignotant de différentes manières.

### Batterie défectueuse

Le chargeur peut détecter une batterie faible ou endommagée. Le voyant clignote de la façon indiquée sur l'étiquette. Arrêtez la charge de la batterie si vous voyez ce motif de clignotement indiquant que la batterie est défectueuse. Renvoyez-la dans un centre d'assistance ou un site de collecte pour recyclage.

### Délai Bloc chaud/froid

Lorsque le chargeur détecte que la batterie est trop chaude ou trop froide, il démarre automatiquement un délai Bloc Chaud/ Froid, suspendant la charge jusqu'à ce que la batterie se stabilise. Après cela, le chargeur passe automatiquement en mode Charge Bloc. Cette fonctionnalité assure une durée de vie maximale de la batterie.

Le voyant clignote de la façon indiquée sur l'étiquette.

### Laisser la batterie dans le chargeur

Le chargeur et le bloc-batterie peuvent restés raccordés en permanence avec le voyant allumé. Le chargeur maintient ainsi le bloc-batterie prêt et complètement rechargé. Ce chargeur dispose d'un mode d'ajustage de précision qui permet d'égaliser ou d'équilibrer les cellules individuelles du bloc-batterie qui lui permet de fonctionner à sa pleine capacité. Les blocs-batteries doivent être ajustés toutes les semaines ou dès que la batterie ne permet plus de réaliser les mêmes tâches qu'auparavant. Pour utiliser le mode d'ajustage automatique, placez le bloc-batterie dans le chargeur et laissez-le ainsi pendant au moins 8 heures.

### Remarques importantes liées à la charge

- ◆ Une durée de vie plus longue et de meilleures performances peuvent être obtenues si le bloc-batterie est rechargé à une température ambiante comprise entre 18° et 24°C. NE RECHARGEZ PAS le bloc-batterie si la température ambiante est inférieure à +4,5°C ou supérieure à +40°C. Ceci est important et permet d'éviter le grave endommagement du bloc-batterie.
- ◆ Le chargeur et le bloc-batterie peuvent devenir chauds au toucher pendant la charge. Ceci est normal et n'indique pas un problème. Afin de faciliter le refroidissement du bloc-batterie après son utilisation, évitez de placer le chargeur ou le bloc-batterie dans un environnement chaud comme une remise métallique ou une remorque non isolée.

- ◆ Si le bloc-batterie ne se recharge pas correctement :
  - ◆ Vérifiez le fonctionnement de la prise murale en y branchant une lampe ou un autre appareil ;
  - ◆ Contrôlez que la prise n'est pas reliée à un interrupteur qui coupe l'alimentation quand l'éclairage est éteint
  - ◆ Déplacez le chargeur et le bloc-batterie dans un endroit où la température ambiante est comprise entre environ 18°C et 24°C ;
  - ◆ Si les problèmes de charge persistent, apportez l'outil, le bloc-batterie et le chargeur à votre centre d'assistance local.
- ◆ Le bloc-batterie doit être rechargé lorsqu'il ne parvient plus à fournir la puissance nécessaire aux opérations qui étaient facilement réalisées auparavant. **CESSEZ D'UTILISER** l'outil dans ces conditions. Respectez la procédure de charge. Vous pouvez également recharger un bloc déjà utilisé si vous le souhaitez, sans que cela n'affecte le bloc-batterie.
- ◆ Les corps étrangers de nature conductrice comme notamment et entre autres, les poussières de meulage, les copeaux métalliques, la laine d'acier, les feuilles d'aluminium ou toute autre accumulation de particules métalliques doivent être tenus à distance des cavités du chargeur. Débranchez le chargeur avant de le nettoyer.
- ◆ Ne congelez pas le chargeur et ne l'immergez pas dans l'eau ou dans tout autre liquide.

### Installer et retirer le bloc-batterie dans l'outil (Fig. B)

**Avertissement !** Assurez-vous que le bouton de verrouillage (2) est enclenché pour éviter l'activation de l'interrupteur, avant de retirer ou d'installer la batterie. Pour installer le bloc-batterie :

- ◆ Insérez le bloc-batterie (7) dans l'outil jusqu'à entendre un clic (Fig. B)

### Retirer le bloc batterie de l'outil (Fig. C)

- ◆ Enfoncez le bouton de libération de la batterie (8) comme illustré par la figure C et tirez sur le bloc-batterie pour le sortir de l'outil.

## Instructions d'utilisation

### Interrupteur à gâchette et bouton d'inversion du sens de rotation (Fig. D)

- ◆ La perceuse est allumée et éteinte en enfonceant et en relâchant la gâchette (1). Plus la gâchette est enfoncée, plus la vitesse de perçage est élevée.
- ◆ Un bouton de commande du sens de rotation (2) permet de définir le sens de rotation de l'outil et il sert également de bouton de verrouillage.
- ◆ Pour sélectionner la rotation en marche avant, relâchez

la gâchette et enfoncez le bouton de sélection du sens de rotation vers la gauche.

- ◆ Pour sélectionner le sens de rotation inverse, déplacez le bouton de sélection du sens de rotation dans la direction opposée.

**Remarque :** La position centrale du bouton de commande verrouille l'outil en position d'arrêt. Lors du changement de position du bouton de commande, assurez-vous que la gâchette est bien relâchée.

### Contrôle du couple (Fig. E)

Cet outil est équipé d'une bague de réglage de couple (3) afin de sélectionner le mode de fonctionnement et de paramétrer le couple pour le serrage des vis. Les grandes vis et les matières dures nécessitent un couple de serrage plus élevé que les petites vis et les matières tendres.

- ◆ Pour percer du bois, du métal et du plastique, réglez la bague sur le symbole de perçage
- ◆ Pour visser, réglez la bague sur la position désirée. Si vous ne connaissez pas encore le réglage approprié, procédez comme suit :
- ◆ Réglez la bague au couple le plus bas.
- ◆ Vissez la première vis.
- ◆ Si le mandrin cliquète avant d'avoir atteint le résultat voulu, augmentez le réglage de la bague et continuez le serrage de la vis. Recommencez jusqu'à ce que le réglage correct soit obtenu. Utilisez ce réglage pour les vis restantes.

### Mandrin sans clé (Fig. F)

**Avertissement !** Assurez-vous que le bouton de verrouillage (2) est enclenché pour éviter l'activation de l'interrupteur, avant d'installer ou de retirer les accessoires.

Pour insérer un foret ou un autre accessoire :

- ◆ Dans une main, prenez la moitié arrière du mandrin (4) et avec l'autre, tournez la moitié avant dans le sens inverse des aiguilles d'une montre vue depuis l'extrémité du mandrin.
- ◆ Insérez le foret ou tout autre accessoire complètement dans le mandrin, puis fixez-le fermement en maintenant la moitié arrière du mandrin et en tournant la partie avant dans le sens des aiguilles d'une montre, vu depuis l'extrémité du mandrin.

**Avertissement !** Ne tentez pas de fixer les forets (ou tout autre accessoire) en saisissant la partie avant du mandrin et en mettant l'outil en marche. Cela pourrait endommager le mandrin et provoquer des blessures lors du remplacement d'accessoires.

### Système d'engrenage à deux vitesses (Fig. G)

La fonction Deux vitesses de votre perceuse vous permet de changer de vitesse pour augmenter la polyvalence de

l'outil. Pour sélectionner une vitesse lente et un couple élevé (position 1), éteignez l'outil et attendez qu'il s'arrête. Faites glisser le sélecteur de vitesse vers l'arrière (5) loin du mandrin. Pour sélectionner une vitesse rapide et un couple faible (position 2), éteignez l'outil et attendez qu'il s'arrête. Faites glisser le sélecteur de vitesse vers l'avant (vers le mandrin).

**Remarque :** Ne changez pas de vitesse lorsque l'outil est en marche. En cas de problème pour changer de vitesse, assurez-vous que le sélecteur de vitesse est bien complètement poussé vers l'avant ou vers l'arrière.

### Percer/visser

- ◆ Sélectionnez le sens de rotation avant ou arrière à l'aide du curseur de réglage du sens de rotation (2).
- ◆ Pour mettre l'outil en marche, appuyez sur l'interrupteur (1). La vitesse de l'outil dépend du degré d'enfoncement de l'interrupteur.
- ◆ Pour arrêter l'outil, relâchez l'interrupteur.

### Conseils pour une utilisation optimale Percer

- ◆ N'utilisez que des forets bien aiguisés.
- ◆ Soutenez et fixez l'ouvrage correctement, comme indiqué dans les consignes de sécurité.
- ◆ Utilisez l'équipement de sécurité approprié et nécessaire, comme indiqué dans les consignes de sécurité.
- ◆ Soutenez et fixez la zone de travail correctement, comme indiqué dans les consignes de sécurité.
- ◆ Commencez à percer très lentement, en appliquant peu de pression, jusqu'à ce que le trou soit suffisamment formé pour que le foret ne s'en échappe pas.
- ◆ Appliquez une pression perpendiculaire avec le foret. Exercez suffisamment de pression pour que le foret avance, mais ne poussez pas de manière excessive afin d'éviter que le moteur ne cale ou que le foret ne dévie.
- ◆ Maintenez fermement la perceuse avec les deux mains pendant la torsion.
- ◆ **N'ACTIONNEZ PAS LA GÂCHETTE D'UNE PERCEUSE QUI A CALÉ POUR TENTER DE LA DÉMARRER. CELA POURRAIT SINON ENDOMMAGER LA PERCEUSE.**
- ◆ Évitez les calages pendant les percées en réduisant la pression et en perçant doucement la dernière partie du trou.
- ◆ Laissez le moteur tourné en retirant le foret du trou percé. Cela permet d'éviter qu'il se coince.
- ◆ Assurez-vous que l'interrupteur peut allumer et éteindre la perceuse.

### Percer le bois

Le bois peut être percé avec les mêmes forets hélicoïdaux utilisés pour le métal ou avec des mèches plates. Ces forets

doivent être aiguisés et fréquemment sortis du trou pendant le perçage afin de supprimer les copeaux des cannelures.

### Percer le métal

Utilisez un lubrifiant de coupe pour percer les métaux. La fonte et le laiton doivent en revanche être percés à sec. Les lubrifiants de coupe qui fonctionnent le mieux sont les huiles de coupe sulfurées ou le saïndoux.

### Percer de la maçonnerie

Pour percer de la maçonnerie, réglez la bague (3) sur la position de perçage à percussion en alignant le symbole avec le repère.

Déplacez le sélecteur de vitesse (5) vers l'avant de l'outil (2ème vitesse).

### Visser

- ◆ Choisissez toujours un embout de tournevis de type et de taille appropriés.
- ◆ Si le serrage est difficile, enduisez la vis d'une petite quantité de liquide de vaisselle ou de savon comme lubrifiant.
- ◆ Alignez toujours l'outil et l'embout du tournevis avec la vis

### Dépannage

Problème	Cause possible	Solution possible
La machine ne démarre pas.	Le bloc-batterie n'est pas rechargé.	Vérifiez le besoin en charge du bloc-batterie
Le bloc-batterie ne se recharge pas.	Le chargeur n'est pas branché.  La température ambiante est trop chaude ou trop froide.	Branchez le chargeur dans une prise murale qui fonctionne.  Déplacez le chargeur et le bloc-batterie dans un endroit où la température ambiante est supérieure à 40°F (4,5°C) ou inférieure à 105°F (+40,5°C)
L'appareil s'éteint brusquement.	Le bloc-batterie a atteint sa limite thermique maximum.  Déchargé. (Afin de maximiser la durée de vie du bloc-batterie, il est conçu pour s'arrêter brusquement lorsque la batterie est déchargée).	Laissez le bloc-batterie refroidir.  Placez-le dans le chargeur et laissez-le se recharger.

### Maintenance

Votre outil BLACK+DECKER a été conçu pour fonctionner pendant longtemps avec un minimum d'entretien. Le fonctionnement continu et satisfaisant de l'appareil dépend de son bon entretien et de son nettoyage régulier. Votre chargeur ne nécessite aucun entretien particulier, à l'exception d'un nettoyage régulier.

**Avertissement !** Avant de réaliser toute tâche de maintenance sur l'outil, retirez la batterie. Débranchez le chargeur avant de le nettoyer.

- ◆ Nettoyez régulièrement les fentes d'aération de votre outil et du chargeur à l'aide d'une brosse souple ou d'un chiffon sec.
- ◆ Nettoyez régulièrement le bloc-moteur à l'aide d'un chiffon humide.  
N'utilisez pas de détergents abrasifs ou à base de solvants.
- ◆ Ouvrez régulièrement le mandrin et tapotez dessus pour éliminer la poussière accumulée à l'intérieur.

## Protection de l'environnement



Tri sélectif. Les produits et piles/batteries marqués de ce symbole ne doivent pas être jetés avec les déchets ménagers.

Les produits et batteries contiennent des matières qui peuvent être récupérées et recyclées afin de réduire la demande en matières premières. Veuillez à recycler les produits électriques et les batteries/piles conformément aux prescriptions locales en vigueur. Pour plus d'informations, consultez le site [www.2helpU.com](http://www.2helpU.com)

## Données techniques

		BCD003
Tension	$V_{CC}$	18
Vitesse à vide	Min <sup>-1</sup>	0 - 360/0 - 1400
Couple maxi	Nm	45
Capacité du mandrin	mm	1-10
Capacité maxi de perçage		
Acier/bois/Maçonnerie	mm	10/25/10
Poids	kg	0,9

Chargeur		905902**	906349**
Tension d'entrée	$V_{CA}$	230	230
Tension de sortie	$V_{CC}$	18	18
Courant	mA	400	1A
Durée de charge approximative	Heures	3 - 11	1,5 - 4

		BL1518
Tension	$V_{CC}$	18
Capacité	Ah	1,5
Type		Li-Ion

Niveau de pression sonore selon la norme EN 62841 :	
Pression sonore ( $L_{pA}$ )	86,0 dB(A), incertitude (K) 5 dB(A)
Puissance sonore ( $L_{WA}$ )	97,0 dB(A), incertitude (K) 5 dB(A)

Valeurs totales des vibrations (somme vectorielle triaxiale) selon la norme EN 62841 :

Perçage du béton ( $a_{h,d}$ ) 6,8 m/s<sup>2</sup>, incertitude (K) 1,5 m/s<sup>2</sup>

Perçage du métal ( $a_{h,d}$ ) 1,8 m/s<sup>2</sup>, incertitude (K) 1,5 m/s<sup>2</sup>

## Déclaration de conformité CE

DIRECTIVES MACHINES



BCD003 - Perceuse à percussion

Black & Decker déclare que les produits décrits dans les «Caractéristiques techniques» sont conformes aux normes : 2006/42/CE, EN62841-1:2015, EN62841-2-1:2018+A11:2019.

Ces produits sont également conformes aux Directives 2014/30/UE et 2011/65/UE. Pour plus de détails, veuillez contacter Black & Decker à l'adresse suivante ou consultez la dernière page du manuel.

Le soussigné est responsable de la compilation du dossier technique et fait cette déclaration au nom de Black & Decker.

*Patrick Diepenbach*

Patrick Diepenbach  
General Manager, Benelux  
Black and Decker,  
Egide Walschaertsstraat 14-18  
2800 Mechelen, Belgique  
10/09/2021

## Garanti

Black & Decker est sûr de la qualité de ses produits et offre une garantie de 24 mois aux utilisateurs, à partir de la date d'achat. Cette garantie s'ajoute à vos droits légaux auxquels elle ne porte aucunement préjudice. Cette garantie est valable au sein des territoires des États membres de l'Union Européenne et au sein de la Zone européenne de libre-échange. Pour prétendre à la garantie, la réclamation doit être en conforme aux conditions générales de Black & Decker et vous devez fournir une preuve d'achat au vendeur ou au réparateur agréé.

Les conditions générales de la garantie Black & Decker de 2 ans, ainsi que l'adresse du réparateur agréé le plus proche sont disponibles sur le site Internet **www.2helpU.com** ou en contactant votre agence Black & Decker locale à l'adresse indiquée dans ce manuel.

Veillez consulter notre site Internet **www.blackanddecker.co.uk** pour enregistrer votre nouveau produit Black & Decker et pour être tenu informé des nouveaux produits et offres spéciales. **tre** tenu informé des nouveaux produits et offres spéciales.

## Usò previsto

Il trapano/avvitatore a percussione BCD003 BLACK+DECKER è stato progettato per avvitare e per eseguire fori in legno, metallo e plastica. Questo elettrotensile è destinato esclusivamente all'uso privato.

## Istruzioni di sicurezza

### Avvertenze di sicurezza generali per gli elettrotensili



**Avvertenza! Leggere attentamente tutte le avvertenze, istruzioni, illustrazioni e specifiche fornite con l'elettrotensile. La mancata osservanza delle istruzioni seguenti può dar luogo a scossa elettrica, incendio e/o lesioni personali gravi.**

**Conservare tutte le avvertenze e le istruzioni per riferimenti futuri.** Il termine "elettrotensile" utilizzato in tutte le avvertenze elencate di seguito fa riferimento sia agli utensili elettrici alimentati tramite una rete elettrica (con cavo) che agli utensili elettrici a batteria (senza cavo).

#### 1. Sicurezza dell'area di lavoro

- a. **Tenere pulita e ben illuminata l'area di lavoro.** Gli ambienti disordinati o scarsamente illuminati favoriscono gli incidenti.
- b. **Evitare di impiegare gli elettrotensili in ambienti esposti al rischio di esplosione, come ad esempio in presenza di liquidi, gas o polveri infiammabili.** Gli elettrotensili generano scintille che possono incendiare polveri o fumi.
- c. **Durante l'uso di un elettrotensile, tenere lontani i bambini e le altre persone presenti nelle vicinanze.** Eventuali distrazioni possono provocare la perdita di controllo.

#### 2. Sicurezza elettrica

- a. **Le spine elettriche degli elettrotensili devono essere adatte alla presa di corrente. Non modificare la spina in alcun modo. Non utilizzare spine con adattatore con un elettrotensile dotato di messa a terra.** Per ridurre il rischio di scossa elettrica evitare di modificare le spine e utilizzare sempre le prese di corrente appropriate.
- b. **Evitare il contatto con superfici collegate a terra, quali tubature, termosifoni, fornelli e frigoriferi.** Se il corpo dell'utilizzatore è collegato a terra, il rischio di scossa elettrica aumenta.
- c. **Custodire gli elettrotensili al riparo dalla pioggia o dall'umidità.** Se dovesse penetrare dell'acqua all'interno dell'elettrotensile, il rischio di scossa elettrica aumenta.
- d. **Non utilizzare il cavo di alimentazione in modo improprio. Non spostare, tirare o scollegare mai l'elettrotensile tirandolo dal cavo. Tenere il cavo di**

**alimentazione lontano da fonti di calore, olio, bordi taglienti o parti in movimento.** Se il cavo di alimentazione è danneggiato o impigliato, il rischio di scossa elettrica aumenta.

- e. **Se l'elettrotensile viene adoperato all'aperto, usare esclusivamente prolunghie omologate per l'impiego all'esterno.** L'uso di un cavo di alimentazione idoneo per esterni riduce il rischio di scossa elettrica.
- f. **Se non è possibile evitare di lavorare in una zona umida, collegarsi a una rete elettrica protetta da un interruttore differenziale salvavita (RCD).** L'uso di un RCD salvavita riduce il rischio di scossa elettrica.

#### 3. Sicurezza personale

- a. **È importante concentrarsi su ciò che si sta facendo e maneggiare con giudizio l'elettrotensile. Non utilizzare un elettrotensile quando si è stanchi o sotto l'effetto di sostanze stupefacenti, alcool o medicinali.** Un solo attimo di distrazione durante l'uso dell'elettrotensile potrebbe provocare gravi lesioni personali.
- b. **Usare dispositivi di protezione individuale. Indossare sempre occhiali di sicurezza.** L'uso di dispositivi di protezione, quali mascherine antipolvere, scarpe antinfortunistiche antiscivolo, elmetti di sicurezza o protezioni per l'udito, in condizioni opportune consente di ridurre le lesioni personali.
- c. **Prevenire l'avvio accidentale. Accertarsi che l'interruttore sia nella posizione di spegnimento, prima di collegare l'elettrotensile alla rete elettrica e/o alla batteria, di prenderlo in mano o di trasportarlo.** Per non esporsi al rischio di incidenti, non trasportare l'elettrotensile tenendo le dita sull'interruttore e non collegarlo a una fonte di alimentazione elettrica con l'interruttore in posizione di accensione.
- d. **Prima di accendere un elettrotensile, rimuovere eventuali chiavi o attrezzi di regolazione.** Un utensile di regolazione o una chiave fissati a una parte rotante dell'elettrotensile possono provocare lesioni personali.
- e. **Non sporgersi troppo. Mantenere sempre un appoggio e un equilibrio adeguati.** In tal modo è possibile mantenere un migliore controllo dell'elettrotensile nelle situazioni imprevedute.
- f. **Indossare indumenti adeguati. Non indossare abiti larghi o gioielli. Tenere i capelli, gli indumenti e i guanti lontano dalle parti mobili.** Abiti larghi, gioielli o capelli lunghi possono impigliarsi nelle parti in movimento.
- g. **Se gli elettrotensili sono provvisti di attacchi per il collegamento di dispositivi di aspirazione o di raccolta delle polveri, assicurarsi che questi siano installati e utilizzati correttamente.** L'impiego di dispositivi per la raccolta delle polveri può ridurre i pericoli legati a queste ultime.

- h. **Non lasciare che la familiarità acquisita dall'uso frequente degli elettrodomestici induca a cedere alla tentazione di ignorare i principi di utilizzo sicuro degli stessi.** Un'azione imprudente potrebbe provocare lesioni personali gravi in una frazione di secondo.
4. **Uso e cura dell'elettrodomestico**
- a. **Non sovraccaricare l'elettrodomestico. Utilizzare l'elettrodomestico adatto al lavoro da eseguire.** L'elettrodomestico corretto funziona meglio e in modo più sicuro, se utilizzato alla velocità per cui è stato progettato.
- b. **Non utilizzare elettrodomestici con interruttori di accensione/spengimento difettosi.** Qualsiasi elettrodomestico che non possa essere controllato tramite l'interruttore è pericoloso e deve essere riparato.
- c. **Staccare la spina dalla presa di corrente e/o rimuovere il pacco batteria, se rimovibile, dall'elettrodomestico prima di effettuare qualsiasi tipo di regolazione, prima di cambiare gli accessori o di riportarlo.** Queste misure di sicurezza preventive riducono il rischio di azionare l'elettrodomestico accidentalmente.
- d. **Quando non vengono usati, gli elettrodomestici devono essere custoditi fuori dalla portata dei bambini. Non consentire l'uso dell'elettrodomestico a persone inesperte o che non abbiano letto queste Istruzioni.** Gli elettrodomestici sono pericolosi in mano a persone inesperte.
- e. **Sottoporre gli elettrodomestici e gli accessori a regolare manutenzione. Verificare che le parti mobili siano correttamente allineate e non inceppate, che non vi siano componenti rotti e che non sussistano altre condizioni che possono compromettere il funzionamento dell'elettrodomestico. Se l'elettrodomestico è danneggiato, farlo riparare prima dell'uso.** Molti incidenti sono provocati da elettrodomestici non sottoposti a corretta manutenzione.
- f. **Mantenere affilati e puliti gli utensili da taglio.** La manutenzione corretta degli utensili da taglio con bordi affilati riduce le probabilità di inceppamento e ne facilita il controllo.
- g. **Utilizzare l'elettrodomestico, gli accessori e le punte in conformità a queste istruzioni, tenendo conto delle condizioni operative e del lavoro da eseguire.** L'utilizzo dell'elettrodomestico per impieghi diversi da quelli previsti può provocare situazioni di pericolo.
- h. **Mantenere le impugnature e le superfici di presa asciutte, pulite e senza tracce di olio o grasso.** Impugnature e superfici di presa scivolose non consentono di maneggiare e controllare in modo sicuro l'elettrodomestico nel caso di imprevisti.
5. **Utilizzo e cura degli elettrodomestici a batteria (solo per elettrodomestici a batteria)**
- a. **Ricaricare la batteria esclusivamente con il caricabatterie specificato dal produttore.** Un caricabatterie adatto a un determinato tipo di pacco batteria può provocare il rischio di incendio se utilizzato con un pacco batteria diverso.
- b. **Usare gli elettrodomestici esclusivamente con i pacchi batteria appositamente concepiti.** L'impiego di pacchi batteria di tipo diverso potrebbe comportare il rischio di lesioni alle persone e incendio.
- c. **Quando non è in uso, il pacco batteria deve essere custodito lontano da oggetti metallici come graffette, monete, chiavi, chiodi, viti o altre minuterie in metallo che possono creare contatto tra i poli.** Se i morsetti della batteria vengono cortocircuitati potrebbero provocare ustioni o un incendio.
- d. **In condizioni di sovraccarico, dalla batteria potrebbe fuoriuscire del liquido: evitare il contatto. In caso di contatto accidentale, risciacquare la pelle con abbondante acqua. Se il liquido dovesse entrare a contatto con gli occhi, rivolgersi anche a un medico.** Il liquido che fuoriesce dalla batteria può causare irritazioni o ustioni.
- e. **Non utilizzare un pacco batteria o un elettrodomestico se danneggiati o modificati.** Le batterie danneggiate o modificate potrebbero manifestare un comportamento imprevedibile, con la possibilità di causare un'esplosione o un incendio.
- f. **Non esporre un pacco batteria o un elettrodomestico al fuoco o a temperature elevate.** L'esposizione al fuoco o a una temperatura superiore a 130 °C potrebbe provocare un'esplosione. NOTA: 130 °C di temperatura corrispondono a una temperatura di 265 °F.
- g. **Seguire tutte le istruzioni per la carica e non caricare il pacco batteria o l'elettrodomestico a una temperatura che non rientri nell'intervallo di valori specificato nelle istruzioni.** Una carica effettuata in maniera scorretta o a una temperatura che non rientra nell'intervallo di valori specificato, potrebbe danneggiare la batteria aumentando il rischio d'incendio.
6. **Assistenza**
- a. **Fare riparare l'elettrodomestico esclusivamente da personale specializzato che utilizzi solo ricambi originali.** In questo modo viene garantita la sicurezza dell'elettrodomestico.
- b. **Non riparare i pacchi batteria danneggiati.** Gli interventi di riparazione sui pacchi batteria devono essere eseguiti dal produttore o da fornitori di assistenza autorizzati (solo per gli elettrodomestici a batteria).

**Istruzioni di sicurezza per tutte le operazioni**

- Indossare sempre protezioni per l'udito quanto si eseguono lavori di foratura a percussione. L'esposizione al rumore può causare la perdita dell'udito.
- Sostenere l'elettrotensile dalle impugnature isolate quando si eseguono lavorazioni in cui l'accessorio di taglio o di avvitatura potrebbe toccare cavi elettrici nascosti. Se un accessorio di taglio o una punta per avvitatura dovesse venire a contatto con un filo elettrico sotto tensione trasmetterebbe la corrente elettrica anche alle parti metalliche esposte dell'elettrotensile, con il pericolo di provocare la folgorazione dell'utilizzatore.

**Istruzioni di sicurezza per l'uso di punte lunghe**

- Non azionare mai il trapano/avvitatore a una velocità superiore alla velocità massima nominale della punta. A velocità superiori è probabile che la punta si pieghi se viene lasciata ruotare liberamente senza toccare il pezzo da lavorare, con la possibilità di conseguenti lesioni personali.
- Iniziare sempre a eseguire un foro a bassa velocità e con la punta a contatto con il pezzo in lavorazione. A velocità superiori è probabile che la punta si pieghi se viene lasciata ruotare liberamente senza toccare il pezzo da lavorare, con la possibilità di conseguenti lesioni personali.
- Applicare pressione solo in linea diretta con la punta (non esercitare una pressione eccessiva). Le punte potrebbero piegarsi e rompersi o provocare la perdita di controllo del trapano con la possibilità di conseguenti lesioni personali.

**Istruzioni di sicurezza aggiuntive specifiche per trapano/avvitatore/trapano a percussione**

- Usare morse o altri metodi pratici per fissare e bloccare il pezzo in lavorazione a una piattaforma stabile. Tenere il pezzo in lavorazione con le mani o contro il corpo non ne assicura la stabilità e potrebbe comportare la perdita di controllo.
- Durante l'uso l'elettrotensile e gli accessori possono scaldarsi. Per maneggiarli indossare dei guanti se si devono eseguire lavori che generano calore, come la foratura di metalli.
- Le prese d'aria spesso coprono le parti mobili e devono essere evitate. Indumenti larghi, gioielli o capelli lunghi possono rimanere impigliati nelle parti mobili.
- Indossare occhiali di sicurezza o altre protezioni per gli occhi. La foratura con l'uso del trapano può emettere schegge. Tali schegge possono causare danni permanenti alla vista.
- Indossare sempre protezioni per l'udito quanto si eseguono lavori di foratura a percussione. L'esposizione al rumore può causare la perdita dell'udito.

- Usare l'impugnatura ausiliaria/le impugnature ausiliarie di cui è provvisto l'elettrotensile. La perdita di controllo può causare lesioni a persone.
- Non utilizzare questo utensile per periodi prolungati. La vibrazione provocata dal funzionamento dell'utensile può essere dannosa per le mani e le braccia dell'operatore. Servirsi di guanti per fornire un supporto in più e limitare l'esposizione prendendo delle pause frequenti.

**Sicurezza altrui**

- Questo elettrotensile può essere usato da bambini dagli 8 anni in su e da persone portatrici di handicap fisici, psichici o sensoriali o che non possiedono la dovuta esperienza o conoscenza, purché siano seguiti o opportunamente istruiti sull'uso sicuro e comprendano i pericoli inerenti.
- Non lasciare che i bambini giochino con l'elettrotensile. Gli interventi di pulizia e di manutenzione da parte dell'utilizzatore non devono essere eseguiti da bambini senza supervisione.

**Rischi residui**

L'utilizzo dell'apparecchio può comportare rischi residui non necessariamente riportati nelle presenti avvertenze di sicurezza. Tali rischi possono verificarsi a seguito di un uso prolungato o improprio, ecc.

Malgrado il rispetto delle norme di sicurezza pertinenti e l'implementazione di dispositivi di sicurezza, alcuni rischi residui non possono essere evitati. Tali rischi residui includono:

- ◆ lesioni alle persone causate a seguito del contatto con parti rotanti/in movimento;
- ◆ lesioni alle persone causate durante la sostituzione di parti, lame o accessori;
- ◆ lesioni alle persone causate dall'impiego prolungato di un elettrotensile (quando si utilizza qualsiasi apparecchio per lunghi periodi, accertarsi di fare regolarmente delle pause);
- ◆ menomazioni uditive;
- ◆ rischi per la salute causati dall'inalazione di polveri generate durante l'uso dell'elettrotensile (ad esempio quando si lavora con il legno, in modo particolare quello di quercia, faggio o l'MDF).

**Vibrazioni**

I valori dichiarati delle emissioni di vibrazioni al paragrafo "Dati tecnici" e nella Dichiarazione di conformità di questo manuale sono stati misurati in base al metodo di prova standard previsto dalla normativa EN 62841 e possono essere usati come parametri di confronto tra due elettrotensili. Il valore delle emissioni di vibrazioni dichiarato può anche essere usato come valutazione preliminare dell'esposizione.





**Avvertenza!** Il valore delle emissioni di vibrazioni durante l'impiego effettivo dell'elettrotensile può variare da quello dichiarato a seconda delle modalità d'uso. Il livello delle vibrazioni può aumentare oltre quello dichiarato.

Quando si valuta l'esposizione alle vibrazioni per determinare le misure di sicurezza richieste dalla normativa 2002/44/CE destinata alla protezione delle persone che utilizzano regolarmente elettrotensili per lo svolgimento delle proprie mansioni, è necessario prendere in considerazione le condizioni effettive di utilizzo e il modo in cui l'elettrotensile viene usato, oltre che tenere conto di tutte le componenti del ciclo operativo, vale a dire i periodi in cui l'elettrotensile rimane spento, quelli in cui è acceso ma fermo e quelli in cui viene effettivamente utilizzato.

### Etichette sull'elettrotensile

Sull'elettrotensile sono presenti i seguenti simboli assieme al codice data:



**Avvertenza!** Per ridurre il rischio di lesioni alle persone l'utilizzatore deve leggere il manuale di istruzioni.



Indossare protezioni acustiche quanto si effettuano lavori con trapani/avvitatori a percussione. L'esposizione al rumore può condurre alla perdita dell'udito.



Non fissare la spia di funzionamento

### Istruzioni di sicurezza aggiuntive per batterie e caricabatterie

#### Batterie

- Non tentare mai di aprire le batterie per alcun motivo.
- Non lasciare che la batteria si bagni.
- Non esporre la batteria al calore.
- Non conservare la batteria in luoghi dove la temperatura potrebbe superare i 40 °C.
- Caricare la batteria solo a temperature ambientali comprese tra 10 °C e 40 °C.
- Caricare esclusivamente con il caricabatterie fornito in dotazione con l'apparecchio/l'elettrotensile.
- Quando si smaltiscono le batterie, seguire le istruzioni riportate nella sezione "Tutela ambientale".
- Non danneggiare/deformare la batteria forandola o colpendola, per evitare il rischio di lesioni o di incendio.
- Non caricare le batterie danneggiate.

- In condizioni estreme, si potrebbe verificare la perdita di liquido dalle batterie. Se si nota la presenza di liquido sulle batterie, pulirle con attenzione con uno straccio. Evitare il contatto con la pelle.
- In caso di contatto con la pelle o gli occhi, seguire le istruzioni riportate di seguito.



**Avvertenza!** Il liquido delle batterie può causare lesioni a persone o danni alle cose. In caso di contatto con la pelle, risciacquare immediatamente con acqua. In caso di rossore, dolore o irritazione, rivolgersi immediatamente a un medico. In caso di contatto con gli occhi, risciacquarli immediatamente con acqua pulita e consultare un medico.

#### Caricabatterie

Il caricabatterie è stato progettato per una tensione specifica. Verificare sempre che la tensione di rete corrisponda a quella indicata sulla targhetta dei valori nominali.



**Avvertenza!** Non tentare mai di sostituire il caricabatterie con una spina elettrica tradizionale.

- Usare il caricabatterie solo per caricare la batteria nell'elettrotensile con il quale è stato fornito. Tipi diversi di batterie potrebbero scoppiare provocando lesioni personali e danni materiali.
- Non tentare mai di caricare batterie non ricaricabili.
- In caso di danneggiamento del cavo di alimentazione è necessario farlo riparare dal fabbricante o presso un Centro assistenza autorizzato in modo da evitare pericoli.
- Fare sostituire immediatamente i cavi di alimentazione difettosi.
- Non lasciare che il caricabatterie si bagni.
- Non aprire il caricabatterie.
- Non collegare il caricabatterie a sonde.
- L'elettrodomestico/elettrotensile/la batteria devono essere lasciati in una zona ben ventilata durante la carica.



Il caricabatterie è destinato esclusivamente all'uso in ambienti interni.

#### Sicurezza elettrica



Il doppio isolamento di cui è provvisto il caricabatterie rende superfluo il filo di terra. Controllare sempre che la tensione di rete corrisponda a quella indicata sulla targhetta dei dati tecnici. Non tentare mai di sostituire il caricabatterie con una normale spina elettrica.

- ◆ In caso di danneggiamento del cavo di alimentazione, è necessario farlo riparare dal fabbricante o presso un centro assistenza BLACK+DECKER autorizzato in modo da evitare pericoli.

## Caratteristiche

Questo elettroutensile presenta alcune o tutte le seguenti caratteristiche.

1. Interruttore (grilletto) di azionamento a velocità variabile
2. Corsore di controllo rotazione avanti/indietro
3. Collare per regolazione coppia di serraggio
4. Mandrino portapunta senza chiave
5. Selettore a due velocità
6. Luce di lavoro a LED
7. Batteria
8. Pulsante di rilascio batteria

## Assemblaggio

### Uso

**Avvertenza!** Lasciare che l'elettroutensile funzioni al proprio ritmo. Non sovraccaricarlo.

### Carica della batteria (Figg. A1 e A2)

La batteria deve essere caricata prima dell'impiego iniziale e quando non eroga una potenza sufficiente per svolgere lavori che prima era possibile eseguire facilmente. Durante la carica, la batteria potrebbe riscaldarsi. Si tratta di un fatto normale che non indica la presenza di un problema.

**Avvertenza!** Non caricare la batteria a temperature ambientali inferiori a 10 °C o superiori a 40 °C. La temperatura di carica raccomandata è di circa 24 °C.

**Nota: il caricabatterie non carica una batteria se la temperatura delle celle è inferiore a 10 °C o superiore a 40 °C.**

**La batteria deve essere lasciata nel caricabatterie, che comincerà a caricare automaticamente quando la temperatura delle celle aumenta o diminuisce.**

- ◆ Collegare il caricabatterie (9) a una presa elettrica standard da 230 V, 50 Hz.
- ◆ Inserire la batteria (7) nel caricabatterie, come illustrato nelle Figure A1 e A2.

Il LED (9a) lampeggia mentre la carica della batteria è in corso.

Il completamento della carica è indicato dal LED (9a) che rimane acceso fisso. La batteria a quel punto è completamente carica e può essere utilizzata subito o lasciata nel caricabatterie.

**Avvertenza!** Pericolo d'incendio. Quando si scollega il caricabatterie dalla batteria accertarsi prima di scollegarlo dalla presa di corrente, quindi rimuovere la batteria dal caricabatterie.

### Diagnostica del caricabatterie

Questo caricabatterie è concepito per rilevare determinati problemi che potrebbero verificarsi con le batterie o con la

fonte di alimentazione. I problemi sono indicati da un LED che lampeggia secondo schemi differenti.

### Batteria guasta

Il caricabatterie rileva se una batteria è scarica o danneggiata. Il LED lampeggia secondo lo schema indicato sull'etichetta. Se compare il motivo di lampeggiamento che segnala un guasto alla batteria, non continuare a caricarla. Portarla presso un centro di assistenza o un sito di raccolta per il riciclaggio.

### Ritardo per batteria calda/fredda

Quando il caricabatterie rileva una batteria troppo calda o troppo fredda avvia automaticamente la funzione di ritardo per batteria calda/fredda, sospendendo la carica finché la batteria non ha raggiunto la temperatura normale, dopodiché passa automaticamente alla modalità di carica della batteria. Questa funzione assicura la massima durata della batteria. Il LED lampeggia secondo lo schema indicato sull'etichetta.

### Pacco batteria lasciato nel caricabatterie

Il caricabatterie e la batteria possono essere lasciati collegati con il LED acceso per un tempo indefinito. Il caricabatterie mantiene la batteria fresca e completamente carica. Questo caricabatterie è dotato di una modalità di messa a punto automatica, che eguaglia o bilancia le singole celle della batteria, in modo che possa funzionare alla capacità di picco. I pacchi batteria devono essere messi a punto una volta a settimana oppure ogni volta che la batteria non fornisce più la stessa quantità di corrente. Per utilizzare la modalità di messa a punto automatica inserire il pacco nel caricabatterie e lasciarcele per almeno 8 ore.

### Note importanti riguardanti la carica

- ◆ È possibile ottenere la massima durata e le migliori prestazioni se la batteria è carica e la temperatura dell'aria è di 18 - 24 °C. NON caricare la batteria se la temperatura dell'aria è inferiore a +4,5 °C o superiore a +40 °C. Questa precauzione è importante per prevenire gravi danni alla batteria.
- ◆ Il caricabatterie e la batteria possono diventare caldi al tatto durante la carica. Si tratta di un fatto normale che non indica la presenza di un problema. Per facilitare il raffreddamento della batteria dopo l'uso, evitare di posizionare il caricabatterie o la batteria in un ambiente caldo, come ad esempio all'interno di un capannone di metallo o di un rimorchio non isolato.
- ◆ Se la batteria non si carica correttamente:
  - ◆ controllare l'effettivo funzionamento della presa di corrente collegandovi una lampada;
  - ◆ verificare se la presa è collegata a un interruttore della luce e si spegne quando si spengono le luci;

- ◆ spostare il caricabatterie e la batteria in un luogo in cui la temperatura dell'aria circostante sia di circa 18 °C – 24 °C;
- ◆ se i problemi di carica persistono, portare l'elettrotensile, la batteria e il caricabatterie presso il centro di assistenza di zona.
- ◆ La batteria deve essere sostituita se non riesce a produrre energia a sufficienza per svolgere lavori che prima venivano eseguiti con facilità. NON CONTINUARE a usarlo in queste o dall'umidità. Seguire la procedura di carica.  
È anche possibile caricare una batteria parzialmente utilizzata ogni volta che si desidera, senza alcun effetto negativo sulla batteria stessa.
- ◆ Corpi estranei di natura conduttiva quali, a titolo esemplificativo, ma non esaustivo, polvere di levigatura, schegge metalliche, lana d'acciaio, fogli di alluminio o qualsiasi accumulo di particelle metalliche, devono essere tenuti lontano dalle cavità dell'alimentatore. Scollegare il caricabatterie dalla presa di corrente prima di iniziare a pulirlo.
- ◆ Non congelare né immergere il caricabatterie in acqua o altri liquidi.

### Inserimento e rimozione della batteria dall'elettrotensile (Fig. B)

**Avvertenza!** Verificare che il pulsante di blocco di sicurezza (2) sia attivato per evitare l'azionamento dell'interruttore mentre si inseriscono o estraggono gli accessori. Per installare la batteria:

- ◆ inserire la batteria (7) nell'elettrotensile finché non si avverte un clic (Fig. B).

### Rimuovere la batteria dall'elettrotensile (Fig. C)

- ◆ Premere il pulsante di rilascio della batteria (8) come illustrato nella Fig. C ed estrarre la batteria dall'elettrotensile.

### Istruzioni operative

#### Grilletto di azionamento e cursore di controllo della rotazione all'indietro (Fig. D)

- ◆ Il trapano viene acceso e spento premendo e rilasciando il grilletto di azionamento (1). Maggiore è la pressione esercitata sul grilletto, maggiore è la velocità di rotazione della punta del trapano/avvitatore.
- ◆ Il cursore di controllo della rotazione avanti/indietro (2) determina la direzione di rotazione del cavo e funge anche da pulsante di blocco di sicurezza.
- ◆ Per selezionare la rotazione in avanti, rilasciare il grilletto di azionamento e spostare il cursore di controllo della rotazione avanti/indietro verso sinistra.

- ◆ Per selezionare la rotazione inversa, spostare il cursore di controllo della rotazione avanti/indietro nella direzione opposta.

**Nota:** quando il cursore si trova al centro blocca l'utensile nella posizione di spegnimento. Assicurarsi di avere rilasciato il grilletto di azionamento prima di cambiare la posizione del pulsante di controllo.

#### Controllo della coppia di serraggio (Fig. E)

L'elettrotensile è dotato di un collare per la regolazione della coppia di serraggio (3) che consente di selezionare la modalità operativa e di impostare la coppia di serraggio delle viti.

Le viti di grandi dimensioni e i pezzi in lavorazione di materiale più duro richiedono una coppia di serraggio maggiore rispetto alle viti più piccole e ai pezzi di materiale più tenero.

- ◆ Per forare legno, metallo e plastica, regolare il collare sul simbolo del trapano.
- ◆ Per l'avvitatura, regolarlo sull'impostazione desiderata. Se non si sa ancora quale impostazione usare, procedere come descritto di seguito:
- ◆ regolare il collare sull'impostazione di coppia più bassa;
- ◆ stringere la prima vite;
- ◆ se la frizione scatta prima di aver ottenuto il risultato desiderato, aumentare il valore di impostazione del collare e continuare a stringere la vite; ripetere fino a ottenere l'impostazione corretta; usare questa impostazione per le viti rimanenti.

#### Mandrino portapunta senza chiave (Fig. F)

**Avvertenza!** Verificare che il pulsante di blocco di sicurezza (2) sia attivato per evitare l'azionamento dell'interruttore mentre si inseriscono o estraggono gli accessori.

Per infilare una punta o altri accessori, procedere come descritto di seguito:

- ◆ afferrare la metà posteriore del mandrino portapunta (4) con una mano e usare l'altra per ruotare la metà anteriore in direzione antioraria, vista dall'estremità con il mandrino;
- ◆ infilare completamente la punta o un altro accessorio nel mandrino portapunta e serrare saldamente tenendo ferma la metà posteriore del mandrino e ruotando la parte anteriore in senso orario vista dall'estremità con il mandrino.

**Avvertenza!** Non tentare di serrare le punte (o qualsiasi altro accessorio) afferrando la parte anteriore del mandrino portapunta accendendo l'elettrotensile. Potrebbero verificarsi danni al mandrino e lesioni alle persone.

#### Selettore due velocità (Figura G)

Il selettore a due velocità del trapano/avvitatore consente di cambiare marcia per una maggiore versatilità. Per selezionare l'impostazione a velocità bassa e coppia di serraggio elevata (posizione 1) spegnere l'elettrotensile e lasciarlo

fermare. Fare scorrere il selettore a due velocità (5) nella direzione opposta al mandrino portapunta. Per selezionare l'impostazione a velocità alta e coppia di serraggio (posizione 2) spegnere l'elettrotensile e lasciarlo fermare.

Fare scorrere il selettore di velocità verso il mandrino portapunta.

**Nota:** non cambiare velocità mentre l'elettrotensile è in funzione. Se si hanno problemi a cambiare velocità assicurarsi che il selettore a due velocità sia spinto tutto avanti o tutto indietro.

### Foratura/Avvitatura

- ◆ Selezionare la rotazione avanti o indietro usando il cursore di controllo rotazione avanti/indietro (2).
- ◆ Per accendere l'elettrotensile, premere l'interruttore (1). La velocità dell'elettrotensile dipende dalla pressione esercitata sull'interruttore.
- ◆ Per spegnere l'elettrotensile, rilasciare l'interruttore.

### Consigli per un utilizzo ottimale

#### Foratura

- ◆ Utilizzare solamente punte da trapano affilate.
- ◆ Supportare e fissare il lavoro correttamente, come indicato nelle Istruzioni di sicurezza.
- ◆ Utilizzare i dispositivi di protezione necessari e adeguati, come indicato nelle Istruzioni di sicurezza.
- ◆ Mettere in sicurezza e mantenere l'area di lavoro, come indicato nelle Istruzioni di sicurezza.
- ◆ Far funzionare il trapano molto lentamente, con una leggera pressione, fino a quando il foro è sufficientemente profondo da evitare la fuoriuscita della punta.
- ◆ Esercitare la pressione perpendicolarmente alla punta. Applicare una pressione sufficiente a permettere alla punta di eseguire il foro, ma non eccessiva per non far spegnere il motore o spostare la punta.
- ◆ Tenere saldamente il trapano con due mani per controllarne lo spostamento rotatorio.
- ◆ **NON PREMERE VARIE VOLTE IL GRILLETTO DI AZIONAMENTO DI UN TRAPANO/AVVITATORE CHE SI È BLOCCATO PER TENTARE DI RIAVVIARLO. IL TRAPANO POTREBBE ESSERE DANNEGGIATO.**
- ◆ Contenere al massimo la possibilità di arresto iniziale, riducendo la pressione e azionando il trapano a bassa velocità nell'ultima porzione del foro.
- ◆ Mantenere acceso il motore mentre si estrae la punta dal foro eseguito. In questo modo si riducono gli inceppamenti.
- ◆ Assicurarsi che l'interruttore di accensione/spegnimento accenda e spenga il trapano.

### Esecuzione di fori nel legno

I fori nel legno possono essere eseguiti con la stessa punta usata per il metallo o con punta a lancia. Le punte devono essere affilate ed estratte frequentemente per eliminare i trucioli dalle scanalature del trapano.

### Esecuzione di fori nel metallo

Quando si forano metalli utilizzare un lubrificante da taglio. Fanno eccezione la ghisa e l'ottone, che vanno forati a secco. Gli oli da taglio che funzionano meglio di tutto sono l'olio solforato o l'olio di lardo.

### Esecuzione di fori nelle murature

Per eseguire fori nelle murature, regolare il collare (3) nella Posizione di foratura a percussione allineando il simbolo al segno.

Fare scorrere il selettore a due velocità (5) verso la parte anteriore dell'elettrotensile (velocità 2).

### Avvitatura/Svitatura

- ◆ Usare sempre la punta per avvitatura di tipo e misura corretti.
- ◆ Se le viti sono dure da avvitare, versare una piccola quantità di detersivo o sapone per lubrificarle.
- ◆ Tenere sempre l'elettrotensile e la punta di avvitatura in posizione perpendicolare rispetto alla vite.

### Risoluzione dei problemi

Problema	Possibile causa	Possibile soluzione
L'unità non si avvia.	La batteria non è stata caricata.	Controllare i requisiti di carica della batteria
La batteria non si carica.	Il caricabatterie non è collegato a una presa di corrente.  Temperatura dell'aria circostante troppo alta o troppo bassa.	Collegare il caricabatterie a una presa di corrente che funzioni.  Spostare il caricabatterie e la batteria in un luogo con una temperatura dell'aria circostante superiore a 4,5 °C o inferiore a +40,5 °C.
L'unità si spegne improvvisamente.	La batteria ha raggiunto il limite termico massimo.  Carica esaurita (per massimizzare la durata della batteria, essa è progettata per spegnersi improvvisamente quando è scarica.	Attendere che la batteria si raffreddi.  Inserirla nel caricabatterie e attendere che si carichi.

### Manutenzione

Questo elettrotensile BLACK+DECKER è stato concepito per funzionare per un lungo periodo con un minimo di manutenzione. Prestazioni sempre soddisfacenti dipendono da una cura appropriata e da una pulizia regolare.

Il caricabatterie non richiede nessuna manutenzione, ad eccezione di una regolare pulizia.

**Avvertenza!** Prima di eseguire qualsiasi intervento di manutenzione sull'elettrotensile rimuovere la batteria. Scollegare il caricabatterie dalla spina prima di pulirlo.

- ◆ Pulire regolarmente le prese di ventilazione dell'elettrotensile e dell'alimentatore con un pennello o con un panno morbido e asciutto.
- ◆ Il vano del motore deve essere pulito regolarmente con un panno umido.  
Non usare materiali abrasivi o detergenti a base di solventi.
- ◆ Aprire regolarmente il mandrino portapunta e batterlo leggermente per eliminare la polvere dall'interno.

### Tutela ambientale



Raccolta differenziata. I prodotti e le batterie contrassegnati con questo simbolo non devono essere smaltiti con i rifiuti domestici normali.

I prodotti e le batterie contengono materiali che possono essere recuperati o riciclati, riducendo la richiesta di materie prime. Riciclare i prodotti elettrici e le batterie attenendosi alle disposizioni locali vigenti. Ulteriori informazioni sono disponibili all'indirizzo [www.2helpU.com](http://www.2helpU.com).

### Dati tecnici

BCD003		
Tensione	$V_{cc}$	18
Velocità a vuoto	$Min^{-1}$	0 - 360/0 - 1400
Coppia max.	Nm	45
Capacità mandrino portapunta	mm	1-10
Capacità di foratura max.		
Acciaio/legno/muratura	mm	10/25/10
Peso	kg	0,9

Caricabatteria		905902**	906349**
Tensione in ingresso	$V_{ac}$	230	230
Tensione di uscita	$V_{cc}$	18	18
Corrente	mA	400	1A
Tempo di carica approssimativo	ore	3 - 11	1.5 - 4

Batteria			BL1518
Tensione	$V_{cc}$		18
Capacità	Ah		1,5
Tipo	Agli ioni di litio		

Livello di pressione sonora misurato in base a EN 62841:
Pressione sonora ( $L_{pa}$ ) 86,0 dB(A), incertezza (K) 5 dB(A)
Potenza sonora ( $L_{wa}$ ) 97,0 dB(A), incertezza (K) 5 dB(A)

Valori di emissione totali di vibrazioni (somma vettoriale triassiale) in conformità alla norma EN 62841:
Esecuzione di fori nel metallo ( $a_{h,d}$ ) <6,8 $m/s^2$ , incertezza (K) 1,5 $m/s^2$
Esecuzione di fori nel metallo ( $a_{h,d}$ ) <1,8 $m/s^2$ , incertezza (K) 1,5 $m/s^2$

### Dichiarazione di conformità CE DIRETTIVA MACCHINE



BCD003 - Trapano/Avvitatore a percussione  
Black & Decker dichiara che i prodotti descritti al paragrafo "Dati tecnici" sono conformi alle seguenti normative: 2006/42/EC, EN62841-1:2015, EN62841-2-1:2018+A11:2019. Questi prodotti sono conformi alla Direttiva 2014/30/UE e 2011/65/UE. Per maggiori informazioni contattare Black & Decker al seguente indirizzo oppure consultare l'ultima di copertina del manuale.

Il firmatario è responsabile della compilazione del documento tecnico e rende questa dichiarazione per conto di Black & Decker.

*Patrick Diepenbach*

Patrick Diepenbach  
Direttore generale, Benelux  
Black and Decker,  
Egide Walschaertsstraat 14-18  
2800 Mechelen, Belgio  
10/09/2021

### Garanzia

Black & Decker è certa della qualità dei propri prodotti e offre ai consumatori una garanzia di 24 mesi dalla data di acquisto. Il presente certificato di garanzia è complementare ai diritti legali e non li pregiudica in alcun modo. La garanzia è valida nei territori degli Stati membri dell'Unione Europea o dell'EFTA (Associazione europea di libero scambio). Per attivare la garanzia, la richiesta di intervento e riparazione in garanzia deve essere effettuata in accordo con i Termini e condizioni Black & Decker e sarà necessario presentare la prova di acquisto al venditore o all'agente di riparazione autorizzato.

Termini e condizioni della garanzia Black & Decker di 2 anni e la sede dell'agente di riparazione autorizzato più vicino sono consultabili su Internet all'indirizzo [www.2helpU.com](http://www.2helpU.com) oppure è possibile contattare l'ufficio Black & Decker di zona all'indirizzo indicato in questo manuale.

Visitare il nostro sito web [www.blackanddecker.eu](http://www.blackanddecker.eu) per registrare il prodotto Black & Decker appena acquistato e ricevere gli aggiornamenti su nuovi prodotti e offerte speciali.

## Bedoeld gebruik

De BLACK+DECKER BCD003 - slagboormachine is ontworpen voor toepassingen als in- en uitdraaien van schroeven, het boren in hout, metaal en metselwerk. Dit gereedschap is uitsluitend bedoeld voor gebruik door consumenten.

## Veiligheidsinstructies

### Algemene veiligheidswaarschuwingen voor elektrisch gereedschap



**Waarschuwing! Lees alle veiligheidswaarschuwingen, instructies, illustraties en specificaties die bij dit gereedschap zijn meegeleverd. Het niet opvolgen van alle onderstaande instructies kan leiden tot een elektrische schok, brand en/of ernstig persoonlijk letsel.**

**Bewaar alle waarschuwingen en instructies als referentiemateriaal.** De hierna gebruikte term 'elektrisch gereedschap' in alle waarschuwingen die hieronder worden vermeld, heeft betrekking op elektrisch gereedschap voor gebruik op netspanning (met netsnoer) of met een accu (snoerloos).

#### 1. Veilige werkomgeving

- a. **Houd het werkgebied schoon en goed verlicht.** Op rommelige of donkere plekken zullen sneller ongelukken gebeuren.
- b. **Gebruik elektrisch gereedschap niet in een omgeving met explosiegevaar, zoals in de nabijheid van brandbare vloeistoffen, gassen of stof.** Elektrisch gereedschap veroorzaakt vonken die het stof of de dampen kunnen doen ontbranden.
- c. **Houd kinderen en andere personen tijdens het gebruik van elektrisch gereedschap uit de buurt.** Als u wordt afgeleid, kunt u de controle over het gereedschap verliezen.

#### 2. Elektrische veiligheid

- a. **De netstekker van het gereedschap moet in het stopcontact passen. Pas de stekker nooit op enige manier aan. Gebruik geen adapterstekkers in combinatie met geaard elektrisch gereedschap.** Niet-aangepaste stekkers en passende contactdozen verminderen het risico van een elektrische schok.
- b. **Vermijd aanraking van het lichaam met geaarde oppervlakken, bijvoorbeeld buizen, verwarmingen, fornuizen en koelkasten.** Er bestaat een verhoogd risico van een elektrische schok als uw lichaam contact heeft met aarde.

- c. **Houd het gereedschap uit de buurt van regen en vocht.** Als er water in elektrisch gereedschap binnendringt, verhoogt dit het risico van een elektrische schok.
  - d. **Gebruik het snoer niet voor een verkeerd doel. Gebruik het snoer nooit om het elektrisch gereedschap te dragen of naar u toe te trekken, of de stekker uit het stopcontact te halen. Houd het snoer uit de buurt van warmtebronnen, olie, scherpe randen, of bewegende onderdelen.** Beschadigde snoeren of snoeren die in de war zijn geraakt, verhogen het risico van een elektrische schok.
  - e. **Gebruik, wanneer u buitenshuis met elektrisch gereedschap werkt, alleen verlengsnoeren die zijn goedgekeurd voor gebruik buitenshuis.** Het gebruik van een verlengsnoer dat geschikt is voor binnen vermindert het risico van een elektrische schok.
  - f. **Als u een elektrisch gereedschap moet gebruiken in een vochtige locatie, moet u een reststroomschakelaar (RCD) gebruiken.** Het gebruik van een aardlekschakelaar vermindert het risico van een elektrische schok.
- #### 3. Persoonlijke veiligheid
- a. **Blijf alert, let goed op wat u doet en ga met verstand te werk bij het gebruik van elektrisch gereedschap. Gebruik elektrisch gereedschap niet als u vermoeid bent of als u onder invloed van drugs, alcohol of medicatie bent.** Een moment van onoplettendheid tijdens het werken met elektrisch gereedschap kan leiden tot ernstig persoonlijk letsel.
  - b. **Draag persoonlijke beschermende kleding. Draag altijd oogbescherming.** Beschermende uitrusting, zoals een stofmasker, anti-slip veiligheidsschoenen, een helm, of gehoorbescherming, gebruikt in de juiste omstandigheden, zal het risico op persoonlijk letsel verminderen.
  - c. **Voorkom dat het gereedschap onbedoeld kan worden ingeschakeld. Controleer dat de schakelaar in de uit-stand staat voor u het gereedschap aansluit op het stopcontact en/of de accu plaatst en voor u het gereedschap optilt of gaat dragen.** Het dragen van elektrisch gereedschap met uw vinger op de schakelaar of het aanzetten van elektrisch gereedschap waarvan de schakelaar aan staat, kan leiden tot ongelukken.
  - d. **Verwijder alle stelsleutels of steeksleutels voor u het elektrische gereedschap aan zet.** Een steeksleutel of een inbussleutel in een draaiend deel van het elektrisch gereedschap kan tot persoonlijk letsel leiden.
  - e. **Reik niet buiten uw macht. Blijf altijd stevig en in balans op de grond staan.** Dit geeft u betere controle over het elektrisch gereedschap in onverwachte situaties.

- f. **Draag de juiste kleding. Draag geen loszittende kleding of sieraden. Houd uw haar, kleding en handschoenen uit de buurt van bewegende onderdelen.** Loszittende kleding, sieraden of lang haar kunnen door bewegende delen worden gegrepen.
- g. **Controleer dat, wanneer hulpstukken voor stofafzuiging en stofopvang kunnen worden gemonteerd, deze goed zijn aangesloten en op juiste wijze worden gebruikt.** Het gebruik van stofafzuiging kan aan stof gerelateerde gevaren verminderen.
- h. **Word niet gemakzuchtig doordat u door veelvuldig gebruik vertrouwd bent geraakt met het gereedschap, en verlies niet de veiligheidsbeginselen voor het gereedschap uit het oog.** Een onvoorzichtige handeling kan in een fractie van een seconde ernstig letsel tot gevolg hebben.
4. **Gebruik en onderhoud van elektrisch gereedschap**
- a. **Oefen niet te veel kracht uit op het elektrisch gereedschap. Gebruik het juiste elektrisch gereedschap voor uw toepassing.** Met het juiste elektrisch gereedschap kunt u de werkzaamheden waarvoor het gereedschap is ontworpen, beter en veiliger uitvoeren.
- b. **Gebruik geen elektrisch gereedschap waarvan de schakelaar defect is.** Ieder elektrisch gereedschap dat niet met de schakelaar kan worden bediend, is gevaarlijk en moet worden gerepareerd.
- c. **Haal de stekker uit het stopcontact en/of neem de accu uit het gereedschap voordat u aanpassingen uitvoert, accessoires verwisselt, of het elektrische gereedschap opbergt.** Dergelijke preventieve veiligheidsmaatregelen verminderen het risico dat het elektrisch gereedschap per ongeluk wordt gestart.
- d. **Bewaar niet-gebruikte elektrische gereedschappen buiten bereik van kinderen. Laat het gereedschap niet gebruiken door personen die er niet vertrouwd mee zijn en deze aanwijzingen niet hebben gelezen.** Elektrisch gereedschap is gevaarlijk in handen van ongetrainde gebruikers.
- e. **Onderhoud elektrisch gereedschap en accessoires goed. Controleer dat bewegende delen van het elektrisch gereedschap wel goed functioneren en niet klemmen, en dat er niet onderdelen zodanig zijn gebroken of beschadigd dat de werking van het gereedschap nadelig wordt beïnvloed. Laat het gereedschap voor gebruik repareren als het beschadigd is.** Veel ongelukken worden veroorzaakt door slecht onderhouden elektrisch gereedschap.
- f. **Houd gereedschap voor maaien en zagen scherp en schoon.** Goed onderhouden zaaggereedschap met scherpe snijvlakken loopt minder snel vast en is gemakkelijker onder controle te houden.
- g. **Gebruik elektrisch gereedschap, accessoires, hulpstukken en dergelijke volgens deze aanwijzingen. Let daarbij op de arbeidsomstandigheden en de uit te voeren werkzaamheden.** Gebruik van het elektrisch gereedschap voor werkzaamheden die anders zijn dan bedoeld, kan leiden tot een gevaarlijke situatie.
- h. **Houd de handgrepen droog, schoon en vrij van olie en vet.** Gladde handgrepen en greepoppervlakken maken het moeilijk het gereedschap veilig te hanteren en onder controle te houden in onverwachte situaties.
5. **Gebruik en verzorging van accugereedschap (alleen voor accugereedschap)**
- a. **Laad de accu alleen op met de oplader die wordt opgegeven door de fabrikant.** Een lader die geschikt is voor het ene type accu, kan een risico van brand doen ontstaan bij gebruik met een andere accu.
- b. **Gebruik elektrisch gereedschap alleen in combinatie met specifiek vermelde accu's.** Het gebruik van andere accu's kan gevaar voor letsel en brand geven.
- c. **Houd accu's die niet worden gebruikt uit de buurt van andere metalen voorwerpen, zoals paperclips, munten, spijkers, schroeven of andere kleine metalen voorwerpen die een verbinding van de ene pool naar de andere tot stand kunnen brengen.** Als kortsluiting tussen de polen van de accu wordt gemaakt, kan dit tot brandwonden of brand leiden.
- d. **Wanneer de accu slecht wordt behandeld, kan er vloeistof uit de accu spuiten, vermijd contact met deze vloeistof. Als er per ongeluk contact ontstaat, spoel dan met water. Als de vloeistof in de ogen komt, roep dan tevens medische hulp in.** Vloeistof uit de accu kan irritatie en brandwonden veroorzaken.
- e. **Gebruik niet een accu of gereedschap die/dat beschadigd is of waaraan wijzigingen zijn aangebracht.** Beschadigde of gemodificeerde accu's kunnen zich onvoorspelbaar gedragen wat brand, explosie of een risico van letsel met zich mee kan brengen.
- f. **Stel een accu of gereedschap niet bloot aan vuur of uitzonderlijk hoge temperaturen.** Blootstelling aan vuur of een temperatuur boven 130 °C kan explosie tot gevolg hebben. **OPMERKING:** Voor de temperatuur „130 °C“ kunt u lezen „265 °F“.
- g. **Volg alle instructies voor het opladen en laad de accu of het gereedschap niet bij een temperatuur buiten het temperatuurbereik dat wordt opgegeven in de instructies.** Onjuist opladen of opladen bij temperaturen buiten het opgegeven bereik kan de accu beschadigen en het risico van brand vergroten.



## 6. Service

- a. **Laat het gereedschap alleen repareren door gekwalificeerd en vakkundig personeel en alleen met originele vervangingsonderdelen.** De veiligheid van het gereedschap blijft dan behouden.
- b. **Voer nooit servicewerkzaamheden uit aan accu's.** Alleen de fabrikant of een geautoriseerd servicecentrum mag servicewerkzaamheden aan accu's uitvoeren (geldt alleen voor accugereedschap).

### Veiligheidsvoorschriften voor alle handelingen

- Draag gehoorbescherming als u de boorhamer gebruikt. Blootstelling aan lawaai kan gehoorverlies veroorzaken.
- Houd het gereedschap vast bij de geïsoleerde greepoppervlakken als u een handeling uitvoert waarbij het snijdende hulpstuk of het bevestigingsmateriaal met onzichtbare draden in aanraking kan komen. Als een draad onder spanning wordt geraakt door het snijdende hulpstuk of het bevestigingsmateriaal, komen onafgeschermd metalen delen van het gereedschap onder spanning te staan en kunt u een elektrische schok krijgen.

### Veiligheidsinstructies wanneer u lange boren gebruikt

- Werk nooit op een hogere snelheid dan de maximale nominale snelheid op de boor-bit. Bij hogere snelheden zal de boor misschien doorbuigen als deze vrij kan draaien zonder contact met het werkstuk, wat persoonlijk letsel tot gevolg heeft.
- Begin altijd met woorden op een lagere snelheid met de boor-bit tip in contact met het werkstuk. Bij hogere snelheden zal de boor misschien doorbuigen als deze vrij kan draaien zonder contact met het werkstuk, wat persoonlijk letsel tot gevolg heeft.
- Oefen alleen in een directe lijn met het boortje druk uit en oefen niet al te veel druk uit. Bits kunnen doorbuigen waardoor de bit kan breken of de gebruiker de controle kan verliezen, wat persoonlijk letsel tot gevolg heeft.

### Aanvullende Veiligheidsvoorschriften voor Boormachine/Schroevendraaier/Hamerboor

- Zet het werkstuk met klemmen of op een andere praktische manier vast en ondersteun het op een stabiele ondergrond. Wanneer u het werkstuk vasthoudt met de hand of tegen uw lichaam gedrukt houdt, is het instabiel en kunt u de controle verliezen.
- Accessoires en het gereedschap kunnen tijdens het werken heet worden. Draag wanneer u ze hanteert handschoenen als u toepassingen uitvoert waarbij warmte vrijkomt, zoals werken met de hamerboor en het boren in metaal.

- Ventilatieopeningen bedekken vaak bewegende onderdelen en kunnen beter niet worden aangeraakt. Loszittende kleding, sieraden of lang haar kunnen door bewegende delen worden gegrepen.
- Draag een veiligheidsbril of andere bescherming van uw ogen. Tijdens het werken met de boor of hamerboor kunnen er kleine stukjes materiaal in het rond vliegen. Vliegende deeltjes kunnen permanente beschadiging van de ogen veroorzaken.
- Draag gehoorbescherming als u de boorhamer gebruikt. Blootstelling aan lawaai kan gehoorverlies veroorzaken.
- Gebruik de hulphandgre(e)p(en) als die bij het gereedschap wordt/worden geleverd. Verlies van controle kan leiden tot persoonlijk letsel.
- Werk niet lange tijd achtereen met dit gereedschap. Trilling die wordt veroorzaakt door de werking van het gereedschap kunnen schadelijk zijn voor uw handen en armen. Draag handschoenen zodat de trillingen worden opgevangen en beperk de blootstelling door regelmatig rustperiodes in te lassen.

### Veiligheid van anderen

- Dit gereedschap mag worden gebruikt door kinderen van 8 jaar en ouder en personen die lichamelijk of geestelijk minder valide zijn of die geen ervaring met of kennis van dit gereedschap hebben, mits zij onder toezicht staan of instructies krijgen voor een veilige manier van gebruiken van het gereedschap en begrijpen welke gevaren het gebruik met zich meebrengt.
- Kinderen mogen niet met het apparaat spelen. Laat kinderen nooit zonder toezicht het gereedschap schoonmaken of onderhouden.

### Overige risico's.

Er kunnen zich nog meer risico's voordoen wanneer het gereedschap wordt gebruikt en de bijgesloten veiligheids waarschuwingen niet in acht worden genomen. Deze risico's kunnen ontstaan door verkeerd gebruik, langdurig gebruik, enz.

Zelfs wanneer de relevante veiligheidsvoorschriften worden toegepast en veiligheidsvoorzieningen worden geïmplementeerd, kunnen bepaalde risico's niet worden voorkomen. Dit zijn onder meer:

- ◆ Verwondingen veroorzaakt doordat roterende/bewegende onderdelen worden aangeraakt.
- ◆ Verwondingen die worden veroorzaakt bij het wisselen van onderdelen, zaagbladen of accessoires.
- ◆ Verwondingen die worden veroorzaakt door langdurig gebruik van het gereedschap. Wanneer u gereedschap langdurig gebruikt, is het belangrijk dat u regelmatig pauzes inlast.
- ◆ Beschadiging van het gehoor.
- ◆ Gezondheidsrisico's die worden veroorzaakt door het

inademen van stof dat ontstaat bij het gebruik van het gereedschap (bijvoorbeeld: werken met hout, vooral eikenhout, beukenhout en MDF).

### Trilling

De verklaarde waarden voor trillingsemmissies die worden vermeld in de technische gegevens en de verklaring van conformiteit, zijn gemeten in overeenstemming met een standaard testmethode die door EN 62841 wordt verstrekt, en die kan worden gebruikt voor het vergelijken van het ene gereedschap met het andere. De vermelde waarde voor trillingsemmissie kan ook worden gebruikt voor een voorlopige beoordeling van blootstelling.



**Waarschuwing!** De waarde voor trillingsemmissie tijdens het feitelijke gebruik van het elektrische gereedschap kan verschillen van de vermelde waarde, afhankelijk van de manieren waarop het gereedschap wordt gebruikt. Het trillingsniveau kan toenemen tot boven het vermelde niveau.

Wanneer de blootstelling aan trillingen wordt beoordeeld met het doel te bepalen welke veiligheidsmaatregelen worden vereist door 2002/44/EC voor het beschermen van personen die tijdens hun werk regelmatig elektrisch gereedschap gebruiken, moet een schatting van de blootstelling aan trillingen in overweging nemen de feitelijke condities waarin en de manier waarop het gereedschap wordt gebruikt, waarbij ook rekening moet worden gehouden met alle onderdelen van de bedrijfscyclus, zoals de tijden dat het gereedschap is uitgeschakeld en wanneer het stationair loopt, in aanvulling op de ingeschakelde tijd.

### Labels op het gereedschap

Naast de datumcode worden de volgende pictogrammen op het gereedschap getoond:



**Waarschuwing!** De gebruiker moet de instructiehandleiding lezen zodat het risico van letsel wordt beperkt.



Draag gehoorbescherming wanneer u werkt met slagboren.  
Blootstelling aan lawaai kan gehoorbeschadiging veroorzaken.



Kijk niet in de werkklamp

### Aanvullende veiligheidsinstructies voor accu's en laders

#### Accu's

- Probeer nooit om welke reden dan ook batterijen open te maken.

- Stel de accu niet bloot aan water.
- Stel de accu niet bloot aan hitte.
- Bewaar de batterijen niet op locaties met temperaturen van meer dan 40 °C.
- Laad de accu alleen op bij een omgevingstemperatuur van 10 °C tot 40 °C.
- Gebruik alleen de lader die bij het gereedschap/apparaat is geleverd.
- Gooi lege batterijen weg volgens de instructies in het gedeelte "Het milieu beschermen".
- U mag de accubehuizing niet beschadigen of vervormen door er gaten in te prikken of ertegen aan te stoten, aangezien dit kan leiden tot letsel of brand.
- Laad beschadigde batterijen niet op.
- Onder extreme omstandigheden kan lekkage van batterijen optreden. Wanneer u merkt dat de accu nat of vochtig is, veeg de vloeistof dan voorzichtig af met een doek. Vermijd huidcontact.
- Volg in het geval van huid- of oogcontact de onderstaande instructies.



**Waarschuwing!** De accuvloeistof kan lichamelijk letsel en materiële schade veroorzaken. Bij huidcontact moet u de vloeistof direct afspoelen met water. Raadpleeg uw huisarts als er rode vlekken ontstaan of bij een pijnlijke of geïrriteerde huid. Bij oogcontact moet u de vloeistof direct uitspoelen met water en uw huisarts raadplegen.

#### Laders

De lader is ontworpen voor een bepaalde spanning. Controleer altijd dat de netspanning overeenkomt met de waarde op het typeplaatje.



**Waarschuwing!** Probeer nooit de lader te voorzien van een normale netstekker.

- Gebruik de lader alleen voor de accu's in het apparaat waarbij de lader is geleverd. Andere batterijen kunnen openbarsten, met persoonlijk letsel en materiële schade tot gevolg.
- Niet-oplaadbare accu's mogen nooit worden opgeladen.
- Als het netsnoer is beschadigd, moet dit worden vervangen door de fabrikant of een geautoriseerd servicecentrum, zodat gevaarlijke situaties worden voorkomen.
- Een defect snoer moet direct worden vervangen.
- Stel de lader niet bloot aan water.
- Open de lader niet.
- Prik nooit met een scherp voorwerp in de lader.
- Het apparaat/het gereedschap/de accu moet tijdens het laden in een goed geventileerde ruimte worden geplaatst. dellijk vervangen.
- Stel de lader niet bloot aan water.
- Open of demonteer de lader niet.
- Steek niet (met) iets in de lader.



De lader is uitsluitend bedoeld voor gebruik door consumenten.

### Elektrische veiligheid



De lader is dubbel geïsoleerd, daarom is een aarddraad niet nodig. Controleer altijd dat de stroomvoorziening in overeenstemming is met de spanning op het typeplaatje. Probeer nooit een gewone stekker op de lader te monteren.

- ◆ Is het netsnoer beschadigd, dan moet het worden vervangen door de fabrikant, of een erkend BLACK+DECKER Servicecentrum, zodat een gevaarlijke situatie wordt vermeden.

### Functies

Dit gereedschap omvat enkele of alle van de volgende functies.

1. Schakelaar voor variabele snelheid
2. Schuifknop vooruit/achteruit
3. Stelkraag aanhaalmoment
4. Sleutellose boorkop
5. Vertanding voor dubbel bereik
6. LED-werklicht
7. Batterij
8. Accuvrijgaveknop

### Montage

#### Gebruik

**Waarschuwing!** Laat het gereedschap op z'n eigen snelheid werken. Overbelast het niet.

#### De accu opladen (Afb. A1, A2)

De accu moet voorafgaand aan het eerste gebruik worden opgeladen of wanneer niet voldoende vermogen wordt geleverd voor werkzaamheden die eerder gemakkelijk konden worden uitgevoerd. De accu kan warm worden tijdens het opladen; dit is normaal en wijst niet op een probleem.

**Waarschuwing!** Laad de accu niet op bij temperaturen lager dan 10 °C of hoger dan 40 °C. Aanbevolen laadtemperatuur ongeveer 24 °C.

**Opmerking:** De lader zal de accu niet opladen als de celtemperatuur lager is dan ongeveer 10 °C of hoger dan 40 °C.

**De accu moet in de lader blijven en de lader zal vanzelf de accu beginnen op te laden wanneer de celtemperatuur stijgt of daalt.**

- ◆ Steek de stekker van de lader (9) in een gewoon stopcontact van 230V/50Hz.
- ◆ Schuif de accu (7) in de lader, zoals in afb. A1, A2 wordt getoond.

De LED (9a) gaat knipperen ten teken dat de accu wordt opgeladen.

Wanneer de LED (9a) blijft branden, weet u dat de accu volledig is opgeladen. De accu is volledig opgeladen en kan worden gebruikt of in de acculader blijven zitten.

**Waarschuwing!** Brandgevaar. Wanneer u de accu uit de lader haalt, moet u eraan denken dat u eerst de stekker van de lader uit het stopcontact trekt en dan de accu uit de lader neemt.

#### Diagnosefuncties van de lader

Deze lader kan bepaalde problemen detecteren die zich met de accu's of de stroomvoorziening kunnen voordoen. Problemen worden aangeduid door één LED die in verschillende patronen knippert.

#### Slechte accu

De accu kan detecteren dat een accu zwak is of beschadigd. De LED knippert in een patroon dat op het label wordt vermeld. Als u dit knipperpatroon van een slechte accu ziet, ga dan niet door met het opladen van de accu. Breng de accu dan terug naar het servicecentrum of naar een inzamelpunt waar de accu kan worden gerecycled.

#### Vertraging Warme/Koude Accu

Wanneer de lader detecteert dat een accu veel te warm of veel te koud is, wordt automatisch een Vertraging Warme/Koude Accu gestart, en wordt het laden opgeschort tot de accu een normale temperatuur heeft bereikt. Wanneer dat zo is, schakelt de lader automatisch over op de stand Accu Opladen. Deze functie waarborgt een maximale levensduur van de accu.

Het lampje knippert in een patroon dat op het label wordt vermeld.

#### De accu in de acculader laten zitten

De accu kan in de lader blijven zitten en de LED zal dan blijven branden. De lader houdt de in goede conditie en volledig opgeladen. Deze lader is voorzien van een automatische opfrisstand die de individuele cellen van de accu op gelijke spanning en in evenwicht houdt zodat de accu maximaal kan presteren. Accu's moeten wekelijks worden opgefrist of wanneer de accu niet meer presteert zoals voorheen. U kunt de automatische opfrisstand gebruiken door de accu in de lader ter plaatsen en tenminste 8 uur in de lader te laten.

#### Belangrijke opmerkingen over opladen

- ◆ De accu kan het langst presteren en de beste prestaties leveren als de accu wordt opgeladen bij een luchttemperatuur van tussen 18 ° - 24 °C. Laad de accu

NIET op bij een luchttemperatuur lager dan +4,5 °C of hoger dan +40 °C. Dit is belangrijk en zal voorkomen dat de accu ernstig beschadigd raakt.

- ◆ De lader en de accu zullen tijdens het opladen misschien warm aanvoelen. Dat is normaal en wijst niet op een probleem. U kunt het koelen van de accu na gebruik bevorderen door de lader of de accu niet in een warme omgeving te plaatsen, zoals een metalen loods of een ongeïsoleerde aanhanger.
- ◆ Als de accu niet goed wordt opgeladen:
  - ◆ Controleer de werking van het stopcontact door er een lamp of een ander apparaat op aan te sluiten;
  - ◆ Controleer of het stopcontact misschien is aangesloten op een lichtschemakelaar die het stopcontact stroomloos maakt wanneer u de verlichting uitschakelt.
  - ◆ Breng de lader en de accu naar een plaats waar de omringende luchttemperatuur ongeveer 18 ° – 24 °C is;
  - ◆ Als de problemen met het laden aanhoudende, breng het gereedschap, de accu en de lade dan naar het servicecentrum bij u in de buurt.
- ◆ De accu moet worden opgeladen wanneer de accu niet voldoende vermogen levert voor werkzaamheden die eerder gemakkelijk werden uitgevoerd. GA NIET DOOR met uw werkzaamheden onder dergelijke omstandigheden. Volg de procedure voor het opladen. U kunt ook een gedeeltelijk ontladen accu opladen wanneer u dat wilt, zonder dat dat negatieve gevolgen heeft voor de accu.
- ◆ Materiaal met geleidende eigenschappen zoals, maar niet bij uitsluiting, slijpstof, metaalsnippers, staalwol, aluminiumfolie of een verzameling van metaaldeeltjes moet uit de openingen van de lader worden weggehouden. Trek de stekker van de lader uit het stopcontact voordat u de acculader schoonmaakt.
- ◆ Bescherm de lader tegen vorst en dompel de lader niet onder in water of een andere vloeistof.

### De accu in het gereedschap plaatsen of uit het gereedschap nemen (afb. B)

**Waarschuwing!** Controleer dat de knop voor vergrendeling in de uit-stand (2) is ingeschakeld, zodat de schakelaar niet kan worden bediend, en verwijder of plaats daarna pas de accu.

Accu plaatsen:

- ◆ Steek de accu (7) in het gereedschap zodat u de accu hoort vastklikken (afb. B)

### De accu uit het gereedschap nemen (afb. C)

- ◆ Druk de accuvrijgaveknop (8) in zoals wordt getoond in (afb. C) en trek de accu uit het gereedschap.

## Bedieningsinstructies

### Aan/uit-schakelaar & omkeerknop (afb. D)

- ◆ De boormachine wordt in- en uitgeschakeld (ON en OFF) door de aan/uit-schakelaar (1) in te trekken en los te laten. Hoe verder de aan/uit-schakelaar wordt ingedrukt, des te hoger is de snelheid van de boormachine.
- ◆ De regelknop (2) voor vooruit/achteruit bepaalt de richting waarin het gereedschap werkt en dient ook als knop voor vergrendeling in de uit-stand.
- ◆ U kunt de voorwaartse draairichting selecteren door de aan/uit-schakelaar los te laten en de knop vooruit/achteruit naar links te drukken.
- ◆ U kunt de draairichting achteruit selecteer een door de regelknop vooruit/achteruit in de tegengestelde richting te drukken.

**Opmerking:** In de middenpositie van de regelknop is het gereedschap vergrendeld in de uit-stand. Wanneer u de stand van de regelknop wijzigt, is het vooral belangrijk dat u de aan/uit-schakelaar loslaat.

### Regeling van het aanhaalmoment (afb. E)

Dit gereedschap is voorzien van een stelkraag aanhaalmoment (3) voor het selecteren van de bedrijfsstand en voor het instellen van het aanhaalmoment voor het aandraaien van schroeven. Grote schroeven en bij werkstukken van hard materiaal is een hogere instelling van het aanhaalmoment nodig dan bij kleine schroeven en zachte materialen.

- ◆ Stel voor het boren in hout, metaal en kunststoffen de kraag op het boorsymbool
- ◆ Zet voor het in- en uitdraaien van schroeven het symbool op de gewenste instelling. Weet u de juiste instelling nog niet, ga dan als volgt te werk:
- ◆ Zet de kraag in de laagste instelling van het aanhaalmoment.
- ◆ Zet de eerste schroef vast.
- ◆ Als de koppeling ratelt voordat het gewenste resultaat is bereikt, zet de kraag dan op een hogere instelling en ga door met het vastzetten van de schroef. Herhaal dit tot u de juiste instelling hebt bereikt. Gebruik deze instelling voor de rest van de schroeven.

### Sleutellose boorkop (afb. F)

**Waarschuwing!** Controleer dat de knop voor vergrendeling in de uit-stand (2) is ingeschakeld, zodat de schakelaar niet kan worden bediend, en verwijder of plaats daarna pas accessoires.

Een boortje of een ander accessoire plaatsen:

- ◆ Pak het achterste gedeelte van de boorkop (4) met één hand vast en draai met uw andere hand het voorste gedeelte naar links, gezien vanaf het uiteinde van de boorkop.

- ◆ Steek het boortje of een andere accessoire geheel in de boorkop, en zet stevig vast door het achterste gedeelte van de boorkop vast te houden en het voorste gedeelte naar rechts te draaien, gezien vanuit het uiteinde van de boorkop.

**Waarschuwing!** Probeer niet boortjes (of een ander accessoire) vast te zetten door het voorste gedeelte van de boorkop vast te pakken en het gereedschap in te schakelen. Dit kan schade van de boorkop en persoonlijk letsel tot gevolg hebben wanneer u accessoires wisselt.

### Dubbele overbrenging (Afbeelding G)

Met de functie Dubbele overbrenging van uw boormachine kunt u een andere vertanding kiezen zodat het gereedschap veelzijdiger kan worden toegepast. U kunt een instelling met een lage snelheid, groot aanhaalmoment (stand 1) kiezen door het gereedschap uit te schakelen en tot stilstand te laten komen. Schuif de knop (5) voor het wijzigen van de overbrenging weg van de boorkop.

U kunt een instelling met een hoge snelheid, laag aanhaalmoment (stand 2) kiezen door het gereedschap uit te schakelen en tot stilstand te laten komen. Schuif de knop voor het wijzigen van de overbrenging naar de boorkop toe.

**Opmerking:** Wijzig de overbrenging niet wanneer het gereedschap loopt. Als het u niet lukt de overbrenging te wijzigen, controleer dan dat de knop voor het wijzigen van de overbrenging geheel naar voren of geheel naar achteren is gedruwd.

### Boren/schroeven draaien

- ◆ Selecteer rotatie vooruit of achteruit met de schuifknop vooruit/achteruit (2).
- ◆ U kunt het gereedschap inschakelen door op de schakelaar (1) te drukken. De snelheid van het gereedschap hangt af van hoe ver u de schakelaar indrukt.
- ◆ U kunt het gereedschap uitschakelen door de schakelaar los te laten.

### Wenken voor een optimaal gebruik

#### Boren

- ◆ Gebruik uitsluitend scherpe boortjes.
- ◆ Ondersteun het werkstuk goed en zet het goed vast, volgens de instructies in de Veiligheidsinstructies.
- ◆ Gebruik de juiste en vereiste veiligheidsuitrusting, volgens de instructies in de Veiligheidsinstructies.
- ◆ Beveilig en onderhoud het werkgebied, volgens de instructies in de Veiligheidsinstructies.
- ◆ Laat de machine heel langzaam draaien, oefen lichte druk uit, tot het gat diep genoeg is en het boortje niet meer weg kan slippen.

- ◆ Oefen druk uit in een rechte lijn met het boortje. Oefen voldoende druk uit zodat het boortje blijft ingrijpen maar niet zoveel dat de motor tot stilstand komt of de boormachine wegglijdt.
- ◆ Houd de boor stevig met twee handen vast zodat u de draai-actie kunt controleren.
- ◆ **KLIK DE SCHAKELAAR VAN EEN VASTGELOPEN BOORMACHINE NIET AAN EN UIT IN EEN POGING DE MACHINE TE STARTEN. DE BOORMACHINE KAN HIERDOOR BESCHADIGD RAKEN.**
- ◆ Beperk het vastlopen bij het doorboren tot een minimum door de druk te laten afnemen en door het laatste gedeelte van het gat langzaam te boren.
- ◆ Laat de motor lopen terwijl u het boortje uit een geboord gat trekt. Dit helpt vastlopen te voorkomen.
- ◆ Controleer dat u de boormachine met de schakelaar kunt in- en uitschakelen.

#### Boren in hout

U kunt er gaten in hout boren met dezelfde boortjes die u voor metaal gebruikt of met een speciale houtboor (speedboor). Deze boren moeten scherp zijn en moeten tijdens het boren vaak uit het gat worden getrokken, zodat de spaanders uit de groeven kunnen ontsnappen.

#### Boren in metaal

Gebruik een snijvloeistof wanneer u in metalen boort. De uitzonderingen zijn gietijzer en messing, deze metalen kunnen droog worden geboord. De smeermiddelen voor het boren die het beste werken zijn snij-olie en reuzelolie.

#### Boren in metselwerk

Zet voor het boren in metselwerk de kraag (3) in de stand van de hamerboor door het symbool tegenover de markering te zetten.

Schuif de snelheidsselectieknop (5) naar de voorzijde van het gereedschap (2e vertanding).

#### Schroevendraaien

- ◆ Gebruik altijd het schroefbit van het juiste type en de juiste afmeting.
- ◆ Als u schroeven moeilijk kunt indraaien, kunt u een kleine hoeveelheid afwasmiddel of zeep als smeermiddel toepassen.
- ◆ Houd het gereedschap en het schroefbit altijd in een rechte lijn met de schroef.

**Oplossen van problemen**

Probleem	Mogelijke oorzaak	Mogelijke oplossing
Machine start niet.	Accu is niet opgeladen.	Controleer de eisen die aan het laden van de accu worden gesteld
Accu laadt niet op.	De stekker van de lader zit niet in het stopcontact.  Temperatuur van de omgevinglucht is te hoog of te laag.	Steek de stekker van de lader in een stopcontact waar spanning op staat.  Verplaats de lader en de accu naar een ruimte met een luchttemperatuur van hoger dan -4,5°C ) of lager dan +40,5°C
Unit schakelt zichzelf plotseling uit.	Accu heeft de maximale thermische limietwaarde bereikt.  Zonder lading (Voor een maximale levensduur is de accu zo ontworpen dat de unit direct wordt uitgeschakeld wanneer de accu is uitgeput	Laat de accu afkoelen  Plaats de accu op de lader en laat de accu opladen.

**Onderhoud**

Het BLACK+DECKER-gereedschap is ontworpen om gedurende lange tijd zijn werk te doen met een minimum aan onderhoud.

Voortdurend gebruik naar tevredenheid van de gebruiker is afhankelijk van de juiste verzorging en regelmatige reiniging van het gereedschap.

De lade vraagt geen onderhoud behalve regelmatige reiniging.

**Waarschuwing!** Verwijder eerst de accu uit het gereedschap en voer daarna pas onderhoudswerk uit. Trek de stekker van de lader uit het stopcontact voordat u begint met schoonmaken.

- ◆ Reinig regelmatig de ventilatie-Openingen van het gereedschap en de lader met een zachte borstel of een droge doek.
- ◆ Reinig regelmatig de motorbehuizing met een vochtige doek  
Gebruik niet een schuurmiddel of een reinigingsmiddel op basis van een oplosmiddel.
- ◆ Open regelmatig de boorkop en tik stof uit het binnenste.

**Het milieu beschermen**



Gescheiden afvalinzameling. Producten en accu's waarop dit symbool is aangebracht, mogen niet bij het normale huishoudafval worden weggegooid.

Producten en accu's bevatten materialen die kunnen worden teruggewonnen of gerecycled, wat de vraag naar grondstoffen doet afnemen. Recycle elektrische producten en accu's volgens de ter plaatse geldende bepalingen. Nadere informatie is beschikbaar op [www.2helpU.com](http://www.2helpU.com)

**Technische gegevens**

		BCD003
Spanning	V <sub>DC</sub>	18
Snelheid onbelast	Min <sup>-1</sup>	0 - 360/0 - 1400
Max. Torsie	Nm	45
Capaciteit van de boorkop	mm	1-10
Maximale boorcapaciteit		
Staal/hout/Metselwerk	mm	10/25/10
Gewicht	kg	0,9

Lader		905902**	906349**
Ingangsspanning	V <sub>AC</sub>	230	230
Uitgangsspanning	V <sub>DC</sub>	18	18
Stroom	mA	400	1A
Laadtijd ongev.	Uren	3 - 11	1.5 - 4

		BL1518
Spanning	V <sub>DC</sub>	18
Capaciteit	Ah	1,5
Type		Li-Ion

Niveau van de geluidsdruk volgens EN 62841:	
Geluidsdruk (L <sub>pa</sub> )	86,0 dB(A), onzekerheid (K) 5 dB(A)
Geluidsdruk (L <sub>wA</sub> )	97,0 dB(A), onzekerheid (K) 5 dB(A)

Totale vibratiewaarden (triax vectorsom) volgens EN 62841:	
Boren in beton (a <sub>h,td</sub> )	6,8 m/s <sup>2</sup> , onzekerheid (K) 1,5 m/s <sup>2</sup>
Boren in metaal (a <sub>h,td</sub> )	1,8 m/s <sup>2</sup> , onzekerheid (K) 1,5 m/s <sup>2</sup>

**EG-conformiteitsverklaring**  
MACHINERICHTLIJN



BCD003 - Slagboormachine

Black & Decker verklaart dat deze producten beschreven onder "technische gegevens" voldoen aan: 2006/42/EC, EN62841-1:2015, EN62841-2-1:2018+A11:2019.

Deze producten voldoen ook aan de richtlijn 2014/30/EU en 2011/65/EU. Neem voor meer informatie contact op met Black

& Decker op het volgende adres of raadpleeg de achterzijde van de handleiding.

Ondergetekende is verantwoordelijk voor de samenstelling van het technische dossier en legt deze verklaring af namens Black & Decker.

*Patrick Diepenbach*

Patrick Diepenbach  
General Manager, Benelux  
Black and Decker,  
Egide Walschaertsstraat 14-18  
2800 Mechelen, België  
10/09/2021

## Garantie

Black & Decker heeft vertrouwen in zijn producten en biedt consumenten een garantie van 24 maanden vanaf de aankoopdatum. Deze garantie vormt een aanvulling op uw wettelijke rechten en beperken deze niet. De garantie is geldig op het grondgebied van de Lidstaten van de Europese Unie en de Europese Vrijhandelszone.

Voor een garantie-aanspraak moet uw aanspraak in overeenstemming zijn met de Voorwaarden en Condities van Black & Decker en moet u een bewijs van aankoop overleggen aan de verkoper of aan een geautoriseerde reparatiemonteur.

Voorwaarden en condities van de 2-jarige garantie van Black & Decker en het adres van de vestiging van het geautoriseerde reparatiecentrum bij u in de buurt, kunt u vinden op internet op [www.2helpU.com](http://www.2helpU.com), of door contact op te nemen met het Black & Decker ter plaatse op het adres dat in deze handleiding wordt vermeld.

Ga naar onze website [www.blackanddecker.co.uk](http://www.blackanddecker.co.uk) en registreer uw nieuwe Black & Decker product en ontvang updates over nieuwe producten en speciale aanbiedingen.

## Uso previsto

Su taladro BLACK+DECKER BCD003 ha sido diseñado para aplicaciones de atornillado y para taladrar en madera, metal y paredes. Esta herramienta está diseñada únicamente para uso del consumidor.

## Instrucciones de seguridad

### Advertencias de seguridad para herramientas eléctricas en general



¡Advertencia! Lea todas las advertencias de seguridad, instrucciones, ilustraciones y especificaciones suministradas con esta herramienta eléctrica. El incumplimiento de las instrucciones que se indican a continuación puede causar descargas eléctricas, incendios y/o lesiones graves.

Guarde todas las advertencias e instrucciones para futuras consultas. El término "herramienta eléctrica" empleado en las advertencias indicadas a continuación se refiere a la herramienta eléctrica con alimentación de red (con cable) o alimentada por batería (sin cable).

#### 1. Seguridad del área de trabajo

##### a. Mantenga su área de trabajo limpia y bien iluminada.

Las áreas en desorden u oscuras pueden provocar accidentes.

##### b. No utilice la herramienta eléctrica en un entorno con peligro de explosión, en el que se encuentren líquidos, gases o material en polvo inflamables.

Las herramientas eléctricas originan chispas que pueden inflamar el polvo o los gases.

##### c. Cuando utilice la herramienta eléctrica, mantenga alejados a los niños y a otras personas del área de trabajo.

Las distracciones pueden causar la pérdida del control de la herramienta.

#### 2. Seguridad eléctrica

##### a. El enchufe de la herramienta eléctrica debe corresponder a la toma de corriente utilizada. No modifique nunca el enchufe de ninguna forma. No utilice ningún enchufe adaptador con las herramientas eléctricas conectadas a tierra (puestas a masa).

Los enchufes no modificados y las tomas de corriente compatibles reducen el riesgo de descarga eléctrica.

##### b. Evite el contacto corporal con superficies conectadas a tierra o puestas a masa tales como tuberías, radiadores, cocinas y neveras.

Existe un mayor riesgo de descarga eléctrica si su cuerpo está conectado a tierra o puesto a masa.

##### c. No exponga la herramienta eléctrica a la lluvia o a condiciones de humedad.

Si entra agua en una herramienta eléctrica, aumenta el riesgo de descarga eléctrica.

##### d. Cuide el cable de alimentación. No use nunca el cable para transportar, tirar de la herramienta eléctrica o desenchufarla.

Mantenga el cable alejado del calor, aceite, bordes afilados y piezas en movimiento. Los cables dañados o enredados aumentan el riesgo de descarga eléctrica.

##### e. Si trabaja con la herramienta eléctrica en el exterior, utilice solamente cables de prolongación homologados para uso en exteriores.

La utilización de un cable adecuado para uso en exteriores reduce el riesgo de descarga eléctrica.

##### f. Si la utilización de una herramienta eléctrica en un lugar húmedo es inevitable, utilice una fuente protegida con un dispositivo diferencial residual (DDR).

El uso de un DDR reduce el riesgo de descarga eléctrica.

#### 3. Seguridad personal

##### a. Esté atento a lo que hace y utilice la herramienta eléctrica con prudencia. No maneje una herramienta eléctrica cuando esté cansado o bajo los efectos de drogas, medicamentos o alcohol.

Un momento de desatención cuando se manejan herramientas eléctricas puede ocasionar lesiones personales graves.

##### b. Utilice equipo de seguridad personal. Utilice siempre protección ocular.

El uso de equipo de protección, como mascarillas antipolvo, calzado antideslizante, casco o protección auditiva para las condiciones apropiadas reduce la posibilidad de sufrir lesiones corporales.

##### c. Impida que la herramienta se ponga en marcha accidentalmente. Asegúrese de que el interruptor se encuentre en la posición de apagado antes de conectar la herramienta a la fuente de alimentación o a la batería, o de coger o transportar la herramienta.

Transportar herramientas eléctricas con el dedo puesto en el interruptor o herramientas eléctricas activadoras que tengan el interruptor encendido puede provocar accidentes.

##### d. Saque las llaves de ajuste o llaves inglesas antes de encender la herramienta eléctrica.

Dejar una llave inglesa u otra llave puesta en una pieza giratoria de la herramienta eléctrica puede ocasionar lesiones personales.

##### e. No se estire demasiado. Mantenga un equilibrio adecuado y la estabilidad constantemente.

Esto permite un mejor control de la herramienta eléctrica en situaciones inesperadas.



- f. **Use la vestimenta adecuada. No se ponga ropa suelta o joyas. Mantenga el cabello, la ropa y los guantes alejados de las piezas en movimiento.** La ropa suelta, las joyas y el pelo largo pueden quedar atrapados en las piezas móviles.
- g. **Siempre que sea posible utilizar equipos de aspiración o captación de polvo, asegúrese de que estos estén conectados y que se utilicen correctamente.** El uso de equipo de recogida de polvo puede reducir los riesgos relacionados con el polvo.
- h. **Evite que la familiaridad adquirida con el uso frecuente de las herramientas le haga confiarse demasiado e ignorar las principales normas de seguridad de las herramientas.** Una utilización descuidada puede provocar lesiones graves en cuestión de segundos.
- 4. Uso y cuidado de herramientas eléctricas**
- a. **No sobrecargue la herramienta eléctrica. Use la herramienta eléctrica correcta para su trabajo.** La herramienta eléctrica correcta funcionará mejor y con mayor seguridad si se utiliza de acuerdo con sus características técnicas.
- b. **No utilice la herramienta eléctrica si tiene el interruptor defectuoso.** Toda herramienta eléctrica que no pueda controlarse con el interruptor es peligrosa y debe ser reparada.
- c. **Desconecte el enchufe de la fuente de alimentación y/o saque la batería de la herramienta antes de realizar cualquier ajuste, cambiar accesorios o guardar las herramientas mecánicas.** Tales medidas de seguridad preventivas reducen el riesgo de poner en marcha la herramienta eléctrica accidentalmente.
- d. **Guarde la herramienta eléctrica fuera del alcance de los niños y de las personas que no estén familiarizadas con su uso ni con estas instrucciones.** Las herramientas eléctricas son peligrosas en manos de personas no capacitadas.
- e. **Realice el mantenimiento de las herramientas eléctricas y sus accesorios. Compruebe que las piezas móviles no estén desalineadas ni atascadas, que no haya piezas rotas y cualquier otra condición que pudiera afectar al funcionamiento de la herramienta eléctrica. Si la herramienta eléctrica está dañada, llévela para que sea reparada antes de utilizarla.** Muchos accidentes se producen por el mantenimiento inadecuado de las herramientas eléctricas.
- f. **Mantenga las herramientas de corte limpias y afiladas.** Las herramientas de corte con bordes afilados y correctamente mantenidas tienen menos probabilidad de bloquearse y son más fáciles de controlar.
- g. **Utilice la herramienta eléctrica, los accesorios, los utensilios de la herramienta, etc. de acuerdo con estas instrucciones, y tenga en cuenta las condiciones de trabajo y la tarea a realizar.** El uso de la herramienta eléctrica para operaciones que no sean las previstas puede ocasionar una situación peligrosa.
- h. **Mantenga las empuñaduras y las superficies de agarre secas, limpias y libres de aceite y grasa.** Las empuñaduras resbaladizas y las superficies engrasadas impiden aferrar y controlar la herramienta en situaciones imprevistas.
- 5. Uso y cuidado de la batería (solo para herramientas con batería)**
- a. **Recargue exclusivamente con el cargador indicado por el fabricante.** Un cargador adecuado para un tipo de batería puede provocar riesgos de incendios al ser utilizado con otra batería.
- b. **Utilice herramientas eléctricas solamente cuando se especifique en la batería.** El uso de otras baterías puede suponer un riesgo de lesiones e incendio.
- c. **Cuando no se utilice la batería, manténgala alejada de objetos de metal como clips para papel, monedas, llaves, clavos, tornillos y otros pequeños objetos metálicos que pueden realizar una conexión de un terminal a otro.** Si se produce un cortocircuito entre los terminales de la batería, pueden ocasionarse incendios o quemaduras.
- d. **En condiciones abusivas, podrá salir líquido de la batería, evite el contacto. Si se produce un contacto accidental, lave con agua. Si el líquido se pone en contacto con los ojos, acuda además a un médico.** El líquido expulsado de la batería podrá provocar irritaciones o quemaduras.
- e. **No use la batería ni la herramienta si están dañadas o han sido modificadas.** Las baterías dañadas o modificadas pueden tener reacciones imprevistas y causar incendios, explosión o riesgo de lesiones.
- f. **No exponga la batería o la herramienta al fuego o a temperaturas excesivas.** La exposición al fuego o a una temperatura superior a 130 °C puede causar una explosión. NOTA: La temperatura "130 °C" puede sustituirse por la temperatura "265 °F".
- g. **Siga las instrucciones de carga y no cargue la batería o la herramienta fuera del intervalo de temperatura especificado en las instrucciones.** La carga incorrecta o fuera del rango de temperatura especificado puede dañar la batería y aumentar el riesgo de incendio.

## 6. Reparaciones

- a. **Haga reparar su herramienta eléctrica solo por personal técnico autorizado que emplee exclusivamente piezas de repuesto originales.** Así se asegurará que se mantenga la seguridad de la herramienta eléctrica.
- b. **Nunca repare la batería si está dañada.** La reparación de la batería puede ser efectuada únicamente por el fabricante o por los proveedores de servicio autorizados (se utiliza solo para herramientas de batería)..

### Instrucciones de seguridad para todas las operaciones

- Lleve protección acústica al realizar operaciones de perforación de impacto. La exposición al ruido puede provocar pérdida de audición.
- Sujete la herramienta eléctrica por la superficie de agarre aisladas cuando realice una operación en la que el accesorio de corte o el elemento de sujeción puedan entrar en contacto con cableado oculto. El contacto del accesorio de corte o el elemento de sujeción con un cable bajo tensión puede hacer que las partes metálicas de la herramienta se carguen y produzcan una descarga al usuario.

### Instrucciones de seguridad para el uso de brocas largas

- Nunca utilice una velocidad superior a la velocidad nominal máxima indicada para la broca. A velocidades más altas, la broca podría doblarse si se la deja girar libremente sin entrar en contacto con la pieza de trabajo, y podría ocasionar lesiones personales.
- Empiece a taladrar siempre a baja velocidad y poniendo la punta de la broca en contacto con la pieza de trabajo. A velocidades más altas, la broca podría doblarse si se la deja girar libremente sin entrar en contacto con la pieza de trabajo, y podría ocasionar lesiones personales.
- Aplique una presión no demasiado excesiva y solo en línea directa con la broca. Las brocas pueden doblarse causando rotura o pérdida de control y lesiones personales.

### Advertencias de seguridad específicas adicionales para las atornilladores/taladros/martillos

- Utilice fijaciones u otro tipo de método para fijar y apoyar la pieza de trabajo en una plataforma estable. Si sostiene la pieza de trabajo con las manos o con el cuerpo, la pieza quedará inestable y puede hacerle perder el control.
- Los accesorios y la herramienta pueden alcanzar altas temperaturas durante el funcionamiento. Lleve guantes cuando los manipule si realiza operaciones que produzcan calor como el taladrado de metales.

- Las ventilaciones cubren a menudo las piezas móviles y deberán evitarse. La ropa suelta, las joyas y el pelo largo pueden quedar atrapados entre las piezas móviles.
- Lleve gafas de seguridad u otro tipo de protección visual. Las operaciones de taladrado y perforado provoca el vuelo de astillas. Las partículas en vuelo pueden provocar daños oculares permanentes.
- Lleve protección acústica al realizar operaciones de perforación de impacto. La exposición al ruido puede provocar pérdida de audición.
- Utilice la o las empuñaduras auxiliares, si la herramienta las tiene. La pérdida de control puede provocar lesiones personales.
- No utilice esta herramienta durante largos periodos de tiempo. Las vibraciones provocadas por la acción del taladro pueden resultar perjudicial para los brazos y las manos. Utilice guantes para ofrecer una protección adicional y limite la exposición tomando periodos de descansos frecuentes.

### Seguridad de otras personas

- Esta herramienta puede ser usada por niños a partir de 8 años de edad y por personas con capacidades físicas, sensoriales o mentales disminuidas, o que carezcan de experiencia y conocimientos, si están supervisadas o han recibido formación con respecto al uso del aparato de una forma segura y que comprenden los peligros que entraña su uso.
- Los niños no deben jugar con el aparato. Los niños no deberán realizar las tareas de limpieza y mantenimiento de usuario, salvo que lo hagan bajo supervisión.

### Riesgos residuales

Al utilizar la herramienta, podrían surgir riesgos residuales adicionales que no se incluyan en las advertencias de seguridad incluidas. Estos riesgos pueden surgir por un mal uso, un uso prolongado, etc.

Incluso al aplicar las normas de seguridad pertinentes y al usar los dispositivos de seguridad, existen determinados riesgos residuales que no pueden evitarse. Esto incluye:

- ◆ Lesiones provocadas por el contacto con cualquier pieza giratoria/móvil.
- ◆ Lesiones provocadas al cambiar cualquier pieza, hoja o accesorio.
- ◆ Lesiones provocadas por el uso prolongado de una herramienta. Al usar cualquier herramienta durante periodos prolongados de tiempo, asegúrese de hacer descansos con regularidad.
- ◆ Deterioro auditivo.
- ◆ Daños a la salud provocados por la respiración del polvo desarrollado al utilizar la herramienta (por ejemplo, al trabajar con madera, especialmente haya, roble y MDF.)

## Vibración

Los valores declarados de emisión de vibraciones indicados en los datos técnicos y la declaración de conformidad se han medido de acuerdo con un método de prueba estándar suministrado por EN 62841 y pueden utilizarse para comparar una herramienta con otra. El valor declarado de emisión de vibraciones también puede utilizarse en una evaluación preliminar de exposición.



**¡Advertencia!** El valor de emisión de vibraciones durante el uso real de la herramienta eléctrica puede diferir del valor declarado dependiendo de la forma de uso de la herramienta. El nivel de vibración podría aumentar por encima del nivel indicado.

Al evaluar la exposición a las vibraciones para determinar las medidas de seguridad requeridas por la Directiva 2002/44/CE para la protección de las personas que utilizan habitualmente herramientas eléctricas en su trabajo, debe tenerse en cuenta un cálculo de la exposición a vibraciones, las condiciones reales de uso y la forma de utilización de la herramienta, incluyendo todas las partes del ciclo operativo como las veces que la herramienta está apagada, cuando funciona en vacío y el tiempo de activación.

## Etiquetas en la herramienta

En la herramienta se muestran los siguientes pictogramas, junto con el código de fecha:



**¡Advertencia!** Para reducir el riesgo de lesiones, el usuario debe leer el manual de instrucciones.



Lleve protección acústica cuando utilice taladradoras de impacto. La exposición ante ruidos puede provocar la pérdida de audición.



No mire fijamente la luz de funcionamiento.

## Instrucciones de seguridad adicionales para baterías y cargadores

### Baterías

- Jamás trate de abrirla por ninguna razón.
- No exponga las baterías al agua.
- No exponga la batería al calor.
- No las almacene en lugares en los que la temperatura pueda superar los 40 °C.
- Realice la carga únicamente a una temperatura ambiente de entre 10 °C y 40 °C.
- Utilice únicamente el cargador suministrado con el aparato o la herramienta para realizar la carga.

- Cuando vaya a desechar la batería, siga las instrucciones facilitadas en la sección "Protección del medioambiente".
- No dañe ni deforme la batería mediante perforaciones o golpes, ya que puede suponer un riesgo de incendio y de lesiones.
- No cargue baterías dañadas.
- Es posible que se produzcan fugas en las baterías en condiciones extremas. Cuando observe que se producen fugas en el conjunto de la batería, limpie cuidadosamente el líquido con un paño. Evite el contacto con la piel.
- En caso de que se produzca contacto con la piel o los ojos, siga las instrucciones facilitadas a continuación.



**¡Advertencia!** El líquido de la batería puede provocar lesiones o daños materiales. En caso de contacto con la piel, lave la zona afectada con agua inmediatamente. Si se produce enrojecimiento, dolor o irritación, solicite atención médica. En caso de contacto con los ojos, lave la zona inmediatamente con agua limpia y solicite atención médica.

### Cargadores

El cargador ha sido diseñado para un voltaje específico. Compruebe siempre que el voltaje de la red eléctrica corresponda al valor indicado en la placa de características.



**¡Advertencia!** No intente sustituir el cargador por un enchufe convencional para la red eléctrica.

- Utilice el cargador cargar únicamente la batería de la herramienta con la que fue suministrado. Otras baterías podrían explotar y provocar lesiones y daños materiales.
- Nunca intente cargar baterías no recargables.
- Si se daña el cable de alimentación, debe hacerlo sustituir por el fabricante o por un centro de asistencia técnica autorizado de Stanley, para evitar cualquier situación de riesgo.
- Sustituya los cables defectuosos inmediatamente.
- No exponga el cargador al agua.
- No abra el cargador.
- No aplique ningún dispositivo para medir la resistencia del cargador.
- El aparato, la herramienta o la batería deben colocarse en una zona correctamente ventilada durante la carga.



Este cargador está diseñado únicamente para su uso en interiores.

### Seguridad eléctrica



Su cargador está doblemente aislado; por lo tanto, no es necesario ningún cable. Compruebe siempre que la tensión de red corresponda a la indicado en la placa de características. Nunca intente reemplazar la unidad de carga con un enchufe normal.

- ◆ Si el cable de alimentación está dañado, debe ser sustituido por el fabricante o un centro de reparación oficial de BLACK+DECKER con el fin de evitar peligros.

## Características

Esta herramienta incluye alguna de las siguientes características o todas ellas.

1. Interruptor de velocidad variable
2. Deslizador de avance/retroceso
3. Collar de ajuste de par
4. Mandril sin llave
5. Engranaje de doble rango
6. LED - luz de trabajo
7. Batería
8. Botón de liberación de batería

## Montaje

### Uso

**¡Advertencia!** Deje que la herramienta trabaje a su propio ritmo. No la sobrecargue.

### Carga de la batería (fig. A1, A2)

La batería debe cargarse antes de usarla por primera vez y cada vez que no produzca suficiente energía para trabajos que antes se hacían con facilidad. La batería puede calentarse durante la carga; esto es normal y no indica ningún problema.

**¡Advertencia!** No cargue la batería a temperaturas inferiores a 10 °C o superiores a 40 °C.

Temperatura de carga recomendada: aprox. 24 °C.

**Nota:** El cargador no cargará una batería si la temperatura de la célula es inferior a aprox- 10 °C o superior a 40 °C.

La batería debe dejarse en el cargador y el cargador comenzará a cargarse automáticamente cuando la temperatura de la célula aumente o disminuya.

- ◆ Enchufe el cargador (9) en cualquier toma de corriente eléctrica estándar de 230 voltios 50 Hz.
- ◆ Deslice la batería (7) en el cargador, tal y como se muestra en las fig. A1, A2.

El LED (9a) parpadeará indicando que la batería se está cargando.

Se indicará que la carga ha terminado porque la luz LED (9a) permanecerá encendida de manera continua. La batería estará cargada y se podrá usar o dejar en el cargador.

**¡Advertencia!** Peligro de incendio. Cuando retire la batería del cargador, asegúrese de desconectar primero el cargador de la toma de corriente; a continuación, retire el cable de la batería del cargador.

## Diagnósticos del cargador

Este cargador está diseñado para detectar ciertos problemas

que pueden producirse con las baterías o la fuente de alimentación. Los problemas se indican mediante un LED parpadeante en diferentes patrones.

### Batería defectuosa

El cargador puede detectar una batería débil o dañada. El LED parpadea en el patrón indicado en la etiqueta. Si ve este patrón de parpadeo de batería defectuosa, no siga cargando la batería. Devuélvalo a un centro de servicio o a un punto de recolección para reciclaje.

### Demora por batería fría/caliente

Cuando el cargador detecta que la batería está demasiado fría o demasiado caliente, inicia automáticamente la demora por batería fría/caliente, suspendiendo la carga hasta que la batería se normalice. Después de que esto suceda, el cargador cambia automáticamente al modo de Carga de Batería. Esta función asegura la máxima vida útil de la batería.

La luz parpadea en el patrón indicado en la etiqueta.

### Dejar la batería en el cargador

El cargador y la batería pueden dejarse conectados con el LED iluminado indefinidamente. El cargador mantendrá la batería completamente cargada. Este cargador cuenta con un modo de ajuste automático que iguala o equilibra las células individuales en la batería para permitir que funcione a su capacidad máxima. Las baterías deben ajustarse semanalmente o siempre que la batería ya no proporcione el mismo rendimiento. Para usar el modo de ajuste automático, coloque la batería en el cargador y déjela en este durante al menos 8 horas.

### Notas importantes sobre la carga

- ◆ Pueden obtenerse la vida útil más larga y el mejor rendimiento si la batería se carga cuando la temperatura del aire esté entre 18 ° – 24 °C.. NO cargue la batería a una temperatura del aire inferior a +4.5 °C ni superior a +40 °C. Esto es importante y evitará daños graves en la batería.
- ◆ El cargador y la batería pueden calentarse al ser tocados durante la carga. Esto es normal, y no indica que haya un problema. Para facilitar el enfriamiento de la batería después de su uso, evite colocar el cargador o la batería en un ambiente cálido, como en un cobertizo metálico o un remolque sin aislamiento.
- ◆ Si la batería no se carga correctamente:
  - ◆ Compruebe la operación del receptáculo, enchufándolo a una lámpara u otro aparato;
  - ◆ Compruebe si el receptáculo está conectado a un interruptor de luz que apague la energía cuando apague las luces;
  - ◆ Mueva el cargador y la batería a una ubicación

donde la temperatura del aire en el entorno se encuentre entre los 18 ° – 24 °C aproximadamente;

- ◆ Si los problemas de carga persisten, lleve la herramienta, la batería y el cargador a su centro de servicio local.
- ◆ La batería debe recargarse cuando esta no produzca suficiente potencia en trabajos que previamente podía realizar con facilidad. NO CONTINUE utilizándola en estas condiciones. Siga el procedimiento de carga. También puede cargar una batería usada parcialmente cuando lo desee, sin ningún efecto adverso en la batería.
- ◆ Los materiales extraños de naturaleza conductora, tales como (pero no limitado a) polvo de esmerilado, virutas de metal, lana de acero, papel de aluminio, o cualquier acumulación de partículas metálicas deberá mantenerse alejado de las cavidades del cargador. Desenchufe el cargador antes de intentar limpiarlo.
- ◆ No congele ni sumerja el cargador en agua ni en ningún otro líquido.

### Instalar y retirar de la batería de la herramienta (fig. B)

**¡Advertencia!** Asegúrese de que el botón de bloqueo (2) esté activado para evitar el accionamiento del interruptor antes de retirar o instalar la batería.

Para instalar una batería:

- ◆ Inserte la batería (7) en la herramienta, hasta que pueda oír un clic audible (fig. B)

### Retirar de la batería de la herramienta (fig. C)

- ◆ Presione el botón de extracción de la batería (8) tal y como se muestra en la (fig. C) y extraiga la batería de la herramienta.

## Instrucciones de funcionamiento

### Interruptor de disparador y botón de marcha atrás (fig. D)

- ◆ El taladro se enciende y apaga tirando y soltando el interruptor de disparador (1). Cuanto más se presione el interruptor, mayor será la velocidad del taladro.
- ◆ Un botón de control de avance/retroceso (2) determina la dirección de la herramienta y también sirve como botón de desbloqueo.
- ◆ Para seleccionar el giro hacia delante, suelte el interruptor de tipo paleta y pulse el botón de control de avance/retroceso a la izquierda.
- ◆ Para seleccionar el sentido de retroceso, pulse el botón de control de avance/retroceso en la dirección contraria.

**Nota:** La posición central del botón de control bloquea la herramienta en posición de apagado. Cuando cambie la posición del botón de control, compruebe que ha soltado el interruptor.

### Control de par (fig.E)

Esta herramienta está equipada con un collar de ajuste de par (3) para seleccionar el modo de funcionamiento y para establecer el par de apriete de los tornillos. Los tornillos grandes y los materiales duros de la pieza de trabajo requieren un ajuste de par mayor que los tornillos pequeños y los materiales de la pieza de trabajo blandos.

- ◆ Para taladrar en madera, metal y plásticos, coloque el collar en el símbolo de posición de perforación.
- ◆ Para atornillar, ajuste el collar en la configuración deseada. Si aún no conoce el ajuste adecuado, proceda de la siguiente manera:
- ◆ Fije el collar en la configuración de par más baja.
- ◆ Apriete el primer tornillo.
- ◆ Si el acoplamiento hace un trinquete antes de conseguir el resultado deseado, aumente el ajuste del collar y siga apretando el tornillo. Repita esto hasta llegar al ajuste correcto. Utilice este ajuste para los tornillos restantes.

### Mandril sin llave (fig. F)

**¡Advertencia!** Asegúrese de que el botón de bloqueo (2) esté activado para evitar el accionamiento del interruptor antes de retirar o instalar los accesorios.

Para introducir una broca u otro accesorio:

- ◆ Sujete la mitad trasera del mandril (4) con una mano y utilice la otra mano para girar la mitad delantera en el sentido contrario a las agujas del reloj, visto desde el extremo del mandril.
- ◆ Inserte la broca u otro accesorio completamente en el mandril, y apriételo firmemente, sujetando la mitad posterior del mandril y girando la parte delantera en el sentido de las agujas del reloj, visto desde el extremo del mandril.

**¡Advertencia!** No intente apretar las puntas de brocas (ni cualquier otro accesorio) agarrando la parte frontal del mandril y encendiendo la herramienta. Podría provocar daños al mandril y daños personales al cambiar los accesorios.

### Engranaje de doble rango (figura G)

La función de doble serie de su taladro le permite aumentar las velocidades para gozar de una mayor versatilidad.

Para seleccionar la velocidad baja, con un valor de par alto (posición 1), apague la herramienta y deje que se detenga. Deslice el botón de la palanca de engranajes (5) lejos del mandril. Para seleccionar la velocidad alta, con un valor de par bajo (posición 2), apague la herramienta y deje que se detenga.

Deslice el botón de la palanca de engranajes hacia del mandril.

**Nota:** No cambie las velocidades cuando la herramienta esté funcionando. Si registra algún problema a la hora de cambiar las velocidades, compruebe que el botón de engranajes de

doble serie está completamente colocado hacia delante o completamente hacia atrás.

**Perforación/atornillamiento**

- ◆ Seleccione la rotación hacia adelante o hacia atrás utilizando el deslizador de avance/retroceso (2).
- ◆ Para encender la herramienta, presione el interruptor (1). La velocidad de la herramienta depende de lo lejos que presione el interruptor.
- ◆ Para apagar la herramienta, suelte el interruptor.

**Consejos para un uso óptimo**

**Taladrado**

- ◆ Utilice solo puntas de broca afiladas.
- ◆ Apoye y asegure el trabajo correctamente, tal y como se indica en las Instrucciones de seguridad.
- ◆ Use el equipo de seguridad apropiado y requerido, tal y como se indica en las Instrucciones de seguridad.
- ◆ Asegure y mantenga el área de trabajo, tal y como se indica en las Instrucciones de seguridad.
- ◆ Opere el taladro muy lentamente, usando una presión ligera, hasta que el orificio sea lo suficientemente grande para evitar que la broca se salga de él.
- ◆ Aplique siempre la presión en línea recta con la broca. Aplique suficiente presión para mantener la posición de la broca, pero no aplique tanta presión como para atrancar el motor o romper la broca.
- ◆ Sostenga el taladro firmemente con las dos manos para controlar su acción de giro de la broca.
- ◆ **NO PRESIONE EL ACTIVADOR DE UN TALADRO ATASCADO PARA INTENTAR INICIARLO. ESTO PODRÍA CAUSAR DAÑOS EN EL TALADRO.**
- ◆ Minimice el estancamiento al avanzar reduciendo la presión y taladrando lentamente en la última parte del orificio.
- ◆ Mantenga el motor en funcionamiento mientras saca la broca de un orificio perforado. Esto hará que se atasque menos.
- ◆ Asegúrese de que el interruptor enciende y apaga el taladro.

**Perforación en madera**

Los orificios en madera pueden realizarse con las mismas brocas helicoidales utilizadas para el metal o con brocas de pica. Estas brocas deben estar afiladas y deben extraerse con frecuencia al taladrar para despejar las virutas de las ranuras.

**Perforación en metal**

Utilice un lubricante de corte cuando perfore metales. Las excepciones son el latón y la fundición, que deberán perforarse en seco. Los lubricantes de corte que mejor funcionan son el aceite de corte sulfurado o aceite de colza.

**Perforación en paredes**

Para taladrar en paredes, coloque el collar (3) en la posición de perforación del martillo, alineando el símbolo con la marca. Deslice el selector de velocidad (5) hacia la parte delantera de la herramienta (2ª marcha).

**Atornillado**

- ◆ Utilice siempre el tipo y tamaño correctos de la punta del destornillador.
- ◆ Si los tornillos son difíciles de apretar, intente aplicar una pequeña cantidad de líquido de lavado o jabón como lubricante.
- ◆ Mantenga siempre la herramienta y la punta del destornillador en línea recta con el tornillo

**Solución de problemas**

Problema	Posible causa	Posible solución
La unidad no se enciende.	La batería no está cargada.	Compruebe los requisitos de carga de la batería
La batería no se carga.	El cargador no está enchufado.  Temperatura ambiente demasiado alta o baja.	Enchufe el cargador en una toma de corriente que funcione.  Lleve el cargador y la batería a un entorno con una temperatura del aire de más de 40 grados F (4,5 °C) o menos de 105 grados F (+40,5 °C)
La unidad se apaga abruptamente.	La batería ha alcanzado su límite térmico máximo.  Sin carga. (Para maximizar la vida útil de la batería, esta ha sido diseñada para apagarse abruptamente cuando la carga se agote)	Deje que la batería se enfríe.  Colóquela en el cargador y deje que se cargue.

**Mantenimiento**

Su herramienta BLACK+DECKER ha sido diseñada para funcionar mucho tiempo con un mantenimiento mínimo. El funcionamiento satisfactorio continuo depende del buen cuidado de la herramienta y de una limpieza frecuente. El cargador no requiere ningún mantenimiento, salvo la limpieza periódica.

**¡Advertencia!** Antes de efectuar cualquier mantenimiento en la herramienta, extraiga la batería de esta. Desenchufe el cargador antes de limpiarlo.

- ◆ Limpie periódicamente las ranuras de ventilación de la herramienta y el cargador con un cepillo suave o un paño seco.
- ◆ Limpie periódicamente la carcasa del motor con un paño húmedo.  
No utilice discos abrasivos o limpiadores a base de solvente.
- ◆ Abra habitualmente el portabrocas y golpéelo ligeramente para eliminar cualquier resto de polvo del interior.

## Protección del medioambiente



Recogida selectiva. Los productos y las baterías marcadas con este símbolo no se deben eliminar con los residuos domésticos normales.

Los productos y las baterías que contienen materiales que se puedan recuperar o reciclar reducen la demanda de materias primas. Recicle los productos eléctricos y las baterías de conformidad con la normativa local. Puede obtener más información en [www.2helpU.com](http://www.2helpU.com).

### Datos técnicos

BCD003		
Tensión	$V_{DC}$	18
Velocidad en vacío	$Min^{-1}$	0 - 360/0 - 1400
Par máx.	Nm	45
Capacidad del mandril	mm	1-10
Capacidad máx. de taladrado		
Acero/madera/Paredes	mm	10/25/10
Peso	kg	0.9

Cargador de baterías		905902**	906349**
Voltaje de entrada	$V_{AC}$	230	230
Tensión de salida	$V_{DC}$	18	18
Corriente	mA	400	1A
Tiempo aproximado de recarga	Horas	3 - 11	1.5 - 4

Batería			BL1518
Tensión	$V_{DC}$		18
Capacidad	Ah		1.5
Tipo			Litio-ión

Nivel de presión acústica según EN 62841:	
Presión acústica ( $L_{pA}$ )	86,0 dB(A), incertidumbre (K) 5 dB(A)
Potencia acústica ( $L_{WA}$ )	97,0 dB(A), incertidumbre (K) 5 dB(A)

Valores totales de vibración (suma de vectores teniendo en cuenta los tres ejes) de acuerdo con la norma EN 62841:	
Perforación en hormigón ( $a_{h,ISO}$ )	6.8 $m/s^2$ , incertidumbre (K) 1,5 $m/s^2$
Taladro de impacto en metal ( $a_{i,D}$ )	1,8 $m/s^2$ incertidumbre (K) 1,5 $m/s^2$

## Declaración de conformidad CE

DIRECTIVA SOBRE MÁQUINAS



## BCD003 - Taladro de impacto

Black & Decker declara que los productos descritos bajo "datos técnicos" son conformes a las normas: 2006/42/EC, EN62841-1:2015, EN62841-2-1:2018+A11:2019.

Estos productos son conformes también a las Directrices 2014/30/EU y 2011/65/EU. Si desea más información, póngase en contacto con Black & Decker en la dirección indicada a continuación o bien consulte la parte posterior de este manual.

El que suscribe es responsable de la compilación del archivo técnico y realiza esta declaración en representación de Black & Decker.

*Patrick Diepenbach*

Patrick Diepenbach  
Director General, Benelux  
Black & Decker,  
Egide Walschaertsstraat 14 -18  
2800 Malinas, Bélgica  
10/09/2021

## Garantía

Black & Decker confía en la calidad de sus productos y ofrece a los consumidores una garantía de 24 meses a partir de la fecha de compra. Esta garantía es adicional a sus derechos legales y no los menoscaba en modo alguno. La garantía es válida dentro de los territorios de los Estados Miembros de la Unión Europea y del Área de Libre Comercio Europea.

Para reclamar la garantía, la reclamación se debe presentar de conformidad con las condiciones de Black & Decker, presentando el comprobante de compra al vendedor o al agente técnico autorizado.

Puede consultar las condiciones de la garantía de Black & Decker de 2 años de duración y la ubicación de su agente técnico autorizado más cercano en el sitio web [www.2helpU.com](http://www.2helpU.com) o poniéndose en contacto con su oficina local de Black & Decker en la dirección que se indica en este manual.

Visite nuestro sitio web [www.blackanddecker.co.uk](http://www.blackanddecker.co.uk) para registrar su nuevo producto Black & Decker y recibir actualizaciones sobre nuevos productos y ofertas especiales.

## Utilização pretendida

A perfuradora de impacto BLACK+DECKER BCD003 foi concebida para aparafusamento e perfuração em madeira, metal e alvenaria. Esta ferramenta foi concebida apenas para utilização por consumidores.

## Instruções de segurança

### Avisos de segurança gerais para ferramentas eléctricas



**Atenção! Leia todos os avisos de segurança, instruções, ilustrações e especificações fornecidas com esta ferramenta eléctrica. O não cumprimento de todas as instruções indicadas abaixo pode resultar em choque eléctrico, incêndio e/ou ferimentos graves.**

**Guarde todos os avisos e instruções para futura referência.** A expressão "ferramenta eléctrica" indicada em todos os avisos refere-se a ferramentas eléctricas com ligação à corrente eléctrica (com fio) ou com bateria (sem fios).

#### 1. Segurança na área de trabalho

- a. **Mantenha a área de trabalho limpa e bem iluminada.** As áreas desorganizadas ou escuras são propensas a acidentes.
- b. **Não trabalhe com ferramentas eléctricas em áreas com risco de explosão, nas quais se encontrem líquidos, gases ou poeiras inflamáveis.** As ferramentas eléctricas criam faíscas que podem inflamar estas poeiras ou vapores.
- c. **Mantenha crianças e outras pessoas afastadas durante a utilização da ferramenta eléctrica.** As distrações podem levar à perda do controlo da ferramenta.

#### 2. Segurança eléctrica

- a. **A ficha da ferramenta eléctrica deve caber na tomada.** Nunca modifique a ficha de forma alguma. Não utilize fichas adaptadoras com ferramentas eléctricas ligadas à terra. As fichas não modificadas e as tomadas compatíveis reduzem o risco de choque eléctrico.
- b. **Evite que o corpo entre em contacto com superfícies ligadas à terra, como tubos, radiadores, fogões e frigoríficos.** Se o seu corpo estiver "ligado" à terra, o risco de choque eléctrico é maior.
- c. **As ferramentas eléctricas não podem ser expostas à chuva ou à humidade.** A entrada de água numa ferramenta eléctrica aumenta o risco de choque eléctrico.
- d. **Manuseie o cabo com cuidado. Nunca o utilize para transportar, puxar ou desligar a ferramenta eléctrica.** Mantenha o cabo afastado de fontes de calor,

substâncias oleosas, arestas afiadas ou peças móveis. Os cabos danificados ou emaranhados aumentam o risco de choque eléctrico.

- e. **Quando trabalhar com uma ferramenta eléctrica ao ar livre, utilize um cabo de extensão apropriado para esse fim.** A utilização de um cabo adequado para uso ao ar livre reduz o risco de choque eléctrico.
- f. **Se for inevitável trabalhar com uma ferramenta eléctrica num local húmido, utilize um dispositivo de corrente residual (DCR).** A utilização de um DCR reduz o risco de choque eléctrico.

#### 3. Segurança pessoal

- a. **Esteja sempre atento, preste atenção ao que está a fazer e seja prudente quando trabalhar com uma ferramenta eléctrica.** Não utilize uma ferramenta eléctrica quando estiver cansado ou sob o efeito de drogas, álcool ou medicamentos. Um momento de distração durante a utilização de ferramentas eléctricas pode resultar em ferimentos graves.
- b. **Use equipamento de protecção pessoal. Use sempre protecção ocular.** O equipamento de protecção, como, por exemplo, uma máscara contra o pó, sapatos de segurança antiderrapantes, um capacete de segurança ou uma protecção auditiva, utilizado nas condições adequadas, reduz o risco de ferimentos.
- c. **Evite arranques involuntários. Certifique-se de que o gatilho está desligado antes de ligar a ferramenta à corrente eléctrica e/ou as baterias, e antes de levantar ou transportar a ferramenta.** Se mantiver o dedo sobre o gatilho ao transportar ferramentas eléctricas ou se as ligar à fonte de alimentação com o interruptor ligado, pode dar origem a acidentes.
- d. **Retire qualquer chave de ajuste ou chave de porcas antes de ligar a ferramenta eléctrica.** Uma chave de fendas ou de ajuste fixada numa peça rotativa da ferramenta eléctrica pode causar ferimentos.
- e. **Não se estique demasiado ao trabalhar com a ferramenta.** Mantenha sempre os pés bem apoiados e um equilíbrio apropriado. Desta forma, será mais fácil controlar a ferramenta eléctrica em situações inesperadas.
- f. **Use vestuário adequado. Não use roupa larga ou jóias.** Mantenha o cabelo, a roupa e as luvas afastados das peças móveis. As roupas largas, jóias ou o cabelo comprido podem ficar presos nestas peças.
- g. **Se for prevista a montagem de dispositivos de extracção e recolha de pó, assegure-se de que estão ligados e que são utilizados de forma correcta.** A utilização de dispositivos de extracção de partículas pode reduzir os riscos relacionados com as mesmas.



- h. Não permita que o facto de estar familiarizado com a utilização frequente das ferramentas o torne complacente e ignore os princípios de segurança da ferramenta.** Uma acção irreflectida pode causar ferimentos graves numa fracção de segundos.
- 4. Utilização e manutenção da ferramenta eléctrica**
- a. Não sobrecarregue a ferramenta eléctrica. Utilize a ferramenta eléctrica correta para o seu trabalho.** A ferramenta eléctrica adequada irá efectuar o trabalho de um modo mais eficiente e seguro se for utilizada de acordo com a capacidade para a qual foi concebida.
- b. Não utilize a ferramenta eléctrica se o interruptor não puder ser ligado nem desligado.** Qualquer ferramenta eléctrica que não possa ser controlada através do gatilho é perigosa e tem de ser reparada.
- c. Retire a ficha da tomada de electricidade e/ou a bateria da ferramenta eléctrica, caso seja possível fazê-lo, da ferramenta eléctrica antes de efectuar quaisquer ajustes, substituir acessórios ou guardar a ferramenta.** Estas medidas de segurança preventivas reduzem o risco de ligar a ferramenta eléctrica acidentalmente.
- d. Mantenha as ferramentas eléctricas que não estiverem a ser utilizadas fora do alcance de crianças. Não permita que a ferramenta eléctrica seja utilizada por pessoas não familiarizadas com a mesma ou que não tenham lido estas instruções.** As ferramentas eléctricas são perigosas nas mãos de pessoas que não possuam as qualificações necessárias para as manusear.
- e. Proceda à manutenção das ferramentas eléctricas e acessórios. Verifique se as partes móveis estão desalinhadas ou bloqueadas, se existem peças partidas ou qualquer outra situação que possa afetar o funcionamento das ferramentas eléctricas. Se a ferramenta eléctrica estiver danificada, esta não deve ser utilizada até que seja reparada.** Muitos acidentes são causados por ferramentas eléctricas com uma manutenção insuficiente.
- f. Mantenha as ferramentas de corte sempre afiadas e limpas.** As ferramentas de corte sujeitas a uma manutenção adequada, com arestas de corte afiadas, bloqueiam com menos frequência e controlam-se com maior facilidade.
- g. Utilize a ferramenta eléctrica, acessórios e peças de ferramenta de acordo com estas instruções, considerando as condições de trabalho e o tarefa a ser executada.** A utilização da ferramenta eléctrica para fins diferentes dos previstos pode resultar em situações perigosas.
- h. Mantenha os cabos e as superfícies de fixação secas, limpas e sem qualquer óleo ou gordura.** Se o cabo estiver escorregadio e as superfícies de fixação tiverem gordura, isso não permite um manuseamento e controlo seguros da ferramenta em situações inesperadas.
- 5. Utilização e cuidados a ter com a ferramenta com bateria (apenas para ferramentas com bateria)**
- a. Recarregue apenas com o carregador especificado pelo fabricante.** Um carregador adequado para um tipo de bateria pode causar um incêndio se for utilizado com outra bateria.
- b. Utilize ferramentas eléctricas apenas com baterias específicas.** A utilização de outras baterias pode causar ferimentos e incêndio.
- c. Quando uma bateria não estiver a ser utilizada, mantenha-a afastada de outros objectos metálicos como, por exemplo, cliques, moedas, chaves, pregos, parafusos ou outros pequenos objectos metálicos que possam fazer ligação de um terminal a outro.** O curto-circuito de terminais da bateria pode causar queimaduras ou incêndio.
- d. Em condições abusivas, pode derramar líquido da bateria, devendo evitar o contacto. Se tocar acidentalmente no líquido, lave bem com água. Se o líquido entrar em contacto com os olhos, consulte um médico.** O líquido derramado da bateria pode causar irritação ou queimaduras.
- e. Não utilize uma bateria ou uma ferramenta que esteja danificada ou modificada.** As baterias danificadas ou modificadas podem ter um comportamento imprevisível, podendo causar incêndio, explosão ou risco de ferimentos.
- f. Não exponha a bateria ou a ferramenta ao fogo ou a excesso de temperatura.** A exposição ou uma temperatura superior a 130 °C pode dar origem a uma explosão. NOTA: A temperatura "130 °C" pode ser substituída pela temperatura "265 °F".
- g. Siga todas as instruções de carregamento e não carregue a bateria ou a ferramenta fora da gama de temperaturas especificadas nas instruções.** Se o carregamento não for efectuado correctamente ou se a temperaturas não estiverem de acordo com o limite especificado, a bateria pode ficar danificada e há um maior risco de incêndio.
- 6. Assistência**
- a. A ferramenta eléctrica deverá ser reparada por técnicos qualificados que utilizem apenas peças de substituição iguais.** Desta forma, é garantida a segurança da ferramenta eléctrica.

- b. **Nunca repare baterias danificadas.** A reparação das baterias só deve ser efectuada pelo fabricante ou por fornecedor de serviços autorizado (apenas para ferramentas com bateria).

### Instruções de segurança para todas as operações

- Use protecção auricular quando efectuar perfurações de impacto. A exposição ao ruído pode causar perda auditiva.
- Segure a ferramenta eléctrica pelas áreas isoladas quando executar uma operação em que o acessório de corte/fixador possa entrar em contacto com a cablagem escondida. O acessório de corte/fixador em contacto com um cabo “sob tensão” pode colocar as peças metálicas expostas da ferramenta eléctrica “sob tensão” e provocar um choque eléctrico ao operador.

### Instruções de segurança quando utilizar brocas compridas

- Nunca utilize a ferramenta a uma velocidade mais elevada do que a velocidade nominal máxima da broca. A velocidades mais elevada, a broca pode ficar dobrada se rodar livremente sem tocar na peça, podendo causar ferimentos.
- Inicie sempre a perfuração a uma velocidade reduzida e com a ponta da broca em contacto com a peça. A velocidades mais elevada, a broca pode ficar dobrada se rodar livremente sem tocar na peça, podendo causar ferimentos.
- Aplique pressão apenas em linha recta com a broca e não aplique pressão excessiva. As brocas podem ficar dobradas e causar rotura ou perda de controlo, bem como ferimentos.

### Regras de segurança adicionais para berbequins/martelos de perfuração

- Utilize grampos ou outro sistema para fixar e apoiar a peça numa plataforma estável. Segurar a peça com a mão ou contra o corpo pode causar instabilidade e perda de controlo.
- Os acessórios e a ferramenta podem ficar quentes durante a operação. Use luvas quando os utilizar se efectuar aplicações de produção de calor, como perfuração de metais.
- As saídas de ventilação frequentemente obstruem as peças em movimento e devem ser evitadas. As roupas largas, jóias ou o cabelo comprido podem ficar presos nas peças móveis.
- Use óculos de segurança ou outra protecção ocular. As operações de batimento com o martelo ou de perfuração podem causar a projecção de aparas. As partículas projectadas podem causar danos oculares permanentes.
- Use protecção auricular quando efectuar perfurações de impacto. A exposição ao ruído pode causar perda auditiva.

- Utilize a(s) pega(s) auxiliar(es), caso tenha(m) sido fornecida(s) com a ferramenta. A perda de controlo pode causar lesões pessoais.
- Não utilize esta ferramenta durante longos períodos de tempo. A vibração causada pela acção do martelo pode ser prejudicial às suas mãos e braços. Use luvas para proporcionar uma protecção adicional e limite a exposição, fazendo pausas frequentes.

### Segurança de terceiros

- Este equipamento pode ser utilizado por crianças com 8 anos de idade ou mais e por pessoas que apresentem capacidades físicas, sensoriais ou mentais reduzidas ou que não possuam os conhecimentos e a experiência necessários, se forem vigiadas e instruídas acerca da utilização do equipamento de uma forma segura e entenderem os perigos envolvidos.
- As crianças não devem mexer no equipamento. A limpeza e manutenção não devem ser efectuada por crianças sem supervisão.

### Riscos residuais

Quando utilizar a ferramenta, podem ocorrer riscos residuais adicionais que podem não estar incluídos nos avisos de segurança afixados. Estes riscos podem resultar em caso de utilização indevida, uso prolongado, etc. Mesmo com a aplicação dos regulamentos de segurança relevantes e da implementação de dispositivos de segurança, alguns riscos residuais não podem ser evitados. Estes incluem:

- ◆ Ferimentos causados quando toca nas partes rotativas/móveis.
- ◆ Ferimentos causados ao substituir as peças, lâminas ou acessórios.
- ◆ Ferimentos causados por utilização prolongada de uma ferramenta. Quando utilizar uma ferramenta durante períodos prolongados, faça pausas frequentes.
- ◆ Danos auditivos.
- ◆ Perigos para a saúde provocados pela inalação de poeiras produzidas quando utilizar a ferramenta (exemplo: trabalhos com madeira, especialmente carvalho, faia e placas de fibra de densidade média).

### Vibração

Os valores declarados da emissão de vibração indicados nos dados técnicos e na declaração de conformidade foram medidos de acordo com um método de ensaio padrão fornecidos pela EN 62841 e podem ser utilizados para a comparação de uma ferramenta com outra. O valor da emissão de vibração declarado também pode ser utilizado para uma avaliação preliminar da exposição.



**Atenção!** O valor da emissão de vibração durante a utilização da ferramenta eléctrica pode ser diferente do valor declarado, dependendo da maneira como a

ferramenta é utilizada. O nível de vibração pode ser superior ao nível indicado.

Quando avaliar a exposição à vibração para determinar as medidas de segurança exigidas pela 2002/44/CE com o intuito de proteger as pessoas que utilizam ferramentas eléctricas com regularidade para fins profissionais, deve considerar fazer uma estimativa da exposição à vibração. As condições de utilização e a maneira como a ferramenta é utilizada, tendo em conta todas as etapas do ciclo de funcionamento, como, por exemplo, quando a ferramenta é desligada e quando está a funcionar ao ralenti, além do tempo de activação.

### Etiquetas colocadas na ferramenta

Os seguintes símbolos são apresentados na ferramenta, assim como o código de data:



**Atenção!** Para reduzir o risco de ferimentos, o utilizador deve ler o manual de instruções.



Use protecção auricular quando utilizar perfuradoras de impacto. A exposição ao ruído pode causar perda auditiva.



Não olhe fixamente para a luz de funcionamento

### Instruções de segurança adicionais para baterias e carregadores

#### Baterias

- Nunca tente abrir a bateria, seja qual for o motivo.
- Não exponha a bateria à água.
- Não exponha a bateria ao calor.
- Não armazene em locais onde a temperatura possa exceder os 40 °C.
- Carregue apenas a temperaturas ambiente entre 10 °C e 40 °C.
- Carregue apenas com o carregador fornecido com o equipamento/ferramenta.
- Ao eliminar as baterias, siga as instruções indicadas na secção "Protecção do ambiente".
- Não danifique a bateria por perfuração ou impacto, pois poderá originar risco de ferimentos e incêndio.
- Não carregue baterias danificadas.
- Em condições extremas, pode ocorrer uma fuga nas baterias. Se detetar a fuga de líquido das pilhas, limpe o líquido cuidadosamente com um pano. Evite o contacto com a pele.
- Em caso de contacto com a pele ou com os olhos, siga as instruções seguintes.



**Atenção!** O electrólito da bateria pode causar ferimentos ou danos materiais. Em caso de contacto com a pele, enxague imediatamente com água. Em caso de vermelhidão, dor ou irritação, contacte um médico. Em caso de contacto com os olhos, enxague imediatamente com água limpa e procure ajuda médica.

#### Carregadores

O carregador foi concebido para uma tensão específica. Verifique sempre se a tensão de alimentação corresponde à tensão indicada na placa sinalética.



**Atenção!** Nunca tente substituir a unidade do carregador por uma tomada de alimentação normal.

- Utilize o carregador apenas para carregar a bateria na respectiva ferramenta. Outras baterias podem rebentar, provocando ferimentos e danos.
- Nunca tente carregar baterias não recarregáveis.
- Se o cabo de alimentação estiver danificado, deve ser substituído pelo fabricante ou por um centro de assistência autorizado para evitar acidentes.
- Substitua os cabos defeituosos imediatamente.
- Não exponha o carregador à água.
- Não abra o carregador.
- Não manipule o interior do carregador.
- O equipamento/ferramenta/bateria deve ser colocado numa área com boa ventilação durante o carregamento.



O carregador foi concebido apenas para uso em interior.

#### Segurança eléctrica



O carregador tem isolamento duplo, por conseguinte não é necessário um fio de terra. Verifique sempre se a tensão de corrente corresponde à tensão indicada na placa sinalética. Nunca substitua a unidade do carregador por uma ficha de corrente comum.

- Se o cabo de alimentação estiver danificado, deve ser substituído pelo fabricante ou por um centro de assistência autorizado da BLACK+DECKER para evitar situações de risco.

#### Funções

Esta ferramenta inclui parte ou todas as funções que se seguem.

1. Interruptor de velocidade variável
2. Cursor de avanço/recuo
3. Anel de ajuste do binário
4. Mandril sem chave
5. Engrenagem de duas velocidades

6. Indicador luminoso LED
7. Bateria
8. Patilha de libertação das baterias

## Montagem

### Utilização

**Atenção!** Deixe a ferramenta funcionar ao seu próprio ritmo. Não sobrecarregue a ferramenta.

### Carregar a bateria (Fig. A1, A2)

A bateria tem de ser carregada antes da primeira utilização e se não produzir energia suficiente para tarefas que eram efectuadas antes com facilidade. A bateria pode ficar quente durante o carregamento. Isto é normal e não é sinal de problema.

**Atenção!** Não carregue a bateria a uma temperatura ambiente inferior a 10 °C ou superior a 40 °C. Temperatura de carregamento recomendada: cerca de 24 °C.

**Nota: O carregador não carrega a bateria se a respectiva temperatura for inferior a cerca de 10 °C ou superior a 40 °C.**

**A bateria deve permanecer no carregador e este inicia o carregamento automaticamente se a temperatura da bateria aquecer ou arrefecer.**

- ◆ Ligue o carregador (9) a uma tomada eléctrica padrão de 230 volts, 50 Hz.
- ◆ Deslize a bateria (7) para dentro do carregador, como indicado na Fig. A1, A2.

O LED (9a) começa a piscar, indicando que a bateria está a ser carregada.

A conclusão do processo de carga é indicada pelo LED (9a), que permanece ligado de maneira contínua. A bateria fica totalmente carregada e pode ser utilizada nesta altura ou pode deixá-la no carregador.

**Atenção!** Risco de incêndio. Se retirar a bateria do carregador, certifique-se de que desliga primeiro o carregador da tomada e depois retira a bateria do carregador.

### Diagnóstico do carregador

Este carregador foi concebido para detectar determinados problemas que podem surgir com as baterias ou a fonte de alimentação. Os problemas são indicados por um LED intermitente em vários padrões.

### Bateria defeituosa

O carregador pode detectar se a bateria está danificada ou se a carga está reduzida. O LED começa a piscar de acordo com o padrão indicado na etiqueta. Se aparecer este padrão de intermitência de bateria defeituosa, pare o processo de carga da bateria. Entregue-a num centro de assistência ou num ponto de recolha para reciclagem.

### Atraso da bateria quente/fria

Quando o carregador detecta que uma bateria está demasiado quente ou fria, inicia de imediato o Atraso da bateria quente/fria, suspendendo o processo de carga até a temperatura da bateria atingir o valor normal. Depois de isto ocorrer, o carregador muda automaticamente para o modo de Carregamento da bateria. Esta funcionalidade assegura a vida útil máxima da bateria.

O indicador luminoso começa a piscar de acordo com o padrão indicado na etiqueta.

### Deixar a bateria no carregador

O carregador e a bateria podem permanecer ligados com o LED a piscar de maneira indefinida. O carregador mantém a bateria fresca e totalmente carregada. Este carregador inclui um modo de regulação automática que equivale e equilibra as células individuais na bateria para que possam funcionar à capacidade máxima.

As baterias devem ser reguladas todas as semanas ou se não apresentarem o mesmo desempenho. Para utilizar o modo de regulação, coloque a bateria no carregador e deixe-a assim durante pelo menos 8 horas.

### Notas importantes sobre carregamento

- ◆ É possível obter uma vida útil mais prolongada e um melhor desempenho se a bateria for carregada a uma temperatura ambiente entre 18 ° – 24 °C. NÃO carregue a bateria a uma temperatura ambiente inferior a +4,5 °C ou superior a +40 °C. Isto é importante e impede a ocorrência de danos graves na bateria.
- ◆ O carregador e a bateria podem ficar quentes durante o processo de carregamento. Isto é normal e não indica uma situação anormal. Para facilitar o arrefecimento da bateria após a utilização, evite colocar o carregador ou a bateria num ambiente quente, por exemplo, num barracão de metal ou num atrelado sem isolamento.
- ◆ Se a bateria não carregar correctamente:
  - ◆ Insira uma lâmpada ou outro dispositivo na tomada para verificar se esta está a funcionar correctamente;
  - ◆ Verifique se a tomada está ligada a um interruptor de luz que desliga a corrente quando desliga as luzes;
  - ◆ Coloque o carregador e a bateria num local onde a temperatura ambiente em redor seja cerca de 18 ° e 24 °C;
  - ◆ Se os problemas de carregamento persistir, leve a ferramenta, a bateria e o carregador a um centro de assistência local.
- ◆ A bateria deve ser recarregada se não produzir energia suficiente para tarefas que eram efectuadas antes com facilidade. NÃO CONTINUE a utilizar a bateria nestas condições. Siga o procedimento de carregamento.

Também pode carregar uma bateria parcialmente usada sempre que necessário sem efeitos adversos na bateria.

- ◆ Materiais estranhos de natureza condutora, tais como, mas não limitados a, pó polido, aparas de metal, lâ de aço, alumínio em folha ou qualquer acumulação de partículas metálicas devem ser mantidos afastados do compartimento do carregador. Desligue o carregador antes de proceder à limpeza.
- ◆ Não congele ou mergulhe o carregador dentro de água ou de qualquer outro líquido.

### Inserir e retirar a bateria da ferramenta (Fig. B)

**Atenção!** Antes de retirar ou instalar a bateria, certifique-se de que o botão de desbloqueio (2) está engatado para evitar a activação do interruptor.

Para instalar a bateria:

- ◆ Insira a bateria (7) na ferramenta até ouvir um clique (Fig. B)

### Retirar a bateria da ferramenta (Fig. C)

- ◆ Pressione o botão de libertação da bateria (8), como indicado na (Fig. C) e retire a bateria da ferramenta.

## Instruções de funcionamento

### Interruptor do gatilho e botão de recuo (Fig. D)

- ◆ A perfuradora liga-se e desliga-se se pressionar e libertar o gatilho (1). Quanto maior for a pressão no gatilho, maior a velocidade da perfuradora.
- ◆ O botão de controlo de avanço/recuo (2) determina a direcção da ferramenta e funciona também como botão de bloqueio.
- ◆ Para seleccionar a marcha directa, liberte o gatilho e prima o botão de controlo de avanço/recuo no lado esquerdo da ferramenta.
- ◆ Para seleccionar a marcha inversa, pressione o botão de controlo de avanço/recuo na direcção oposta.

**Nota:** A posição central do botão de controlo bloqueia a ferramenta na posição Desligar. Se alterar a posição do botão de controlo, certifique-se de que liberta o interruptor.

### Controlo do binário (Fig. E)

A ferramenta está equipada com um anel de ajuste do binário (3) para seleccionar o modo de funcionamento e para definir o binário de aperto dos parafusos. Os parafusos grandes e as peças de trabalho duras requerem um binário de aperto superior ao dos parafusos pequenos e das peças de trabalho macias.

- ◆ Para perfurar madeira, metal e plástico, coloque o anel no símbolo da posição de perfuração
- ◆ Para aparafusar, coloque o anel na definição pretendida. Se não souber qual é a definição adequada, proceda do seguinte modo:

- ◆ Coloque o anel na definição de binário mais reduzida.
- ◆ Aperte o primeiro parafuso.
- ◆ Se a embraiagem engranar antes de ser obtido o resultado pretendido, aumente a definição do anel e continue a apertar o parafuso. Repita até obter a definição pretendida. Utilize esta definição para os parafusos restantes.

### Mandril sem chave (Fig. F)

**Atenção!** Antes de instalar ou retirar acessórios, certifique-se de que o botão de desbloqueio (2) está engatado para evitar a activação do interruptor.

Para inserir uma broca ou outro acessório:

- ◆ Agarre na parte traseira do mandril (4) com uma mão e, com a outra mão, rode a parte frontal para a esquerda, tal como visualizado da perspectiva da extremidade do mandril.
- ◆ Insira a broca ou outro acessório por completo no mandril, e aperte com firmeza, segurando na parte traseira do mandril e rodando a parte frontal para a direita, tal como visualizado da perspectiva da extremidade do mandril.

**Atenção!** Não tente apertar as brocas (ou qualquer outro acessório) segurando na parte frontal do mandril e ligando a ferramenta. Quando substituir os acessórios, podem ocorrer danos no mandril e ferimentos.

### Engrenagem de duas velocidades (Figura G)

A função de duas velocidades do seu berbequim permite mudar de velocidade para uma maior versatilidade. Para seleccionar a velocidade reduzida, regulação de binário elevado (posição 1), desligue a ferramenta e deixe-a a rodar até parar. Faça deslizar o botão de mudança de velocidade (5) no sentido oposto ao do mandril. Para seleccionar a velocidade elevada, regulação de binário baixo (posição 2), desligue a ferramenta e deixe-a a rodar até parar. Faça deslizar o botão de mudança de velocidade na direcção do mandril.

**Nota:** Não altere a velocidade quando a ferramenta estiver em funcionamento. Se tiver dificuldade em mudar de velocidade, certifique-se de que o botão de mudança de velocidade dupla está totalmente empurrado para a frente ou para trás.

### Perfuração/aparafusamento

- ◆ Selecione a rotação para a frente ou trás com o curso de avanço/recuo (2).
- ◆ Para ligar a ferramenta, prima o interruptor (1). A velocidade da ferramenta depende da pressão que exercer no interruptor.
- ◆ Para desligar a ferramenta, liberte o interruptor.

## Sugestões para uma excelente utilização

### Perfuração

- ◆ Utilize apenas brocas afiadas.
- ◆ Apoie e fixe a peça de trabalho correctamente, como indicado nas instruções de segurança.
- ◆ Utilize equipamento de segurança adequado e obrigatório, como indicado nas instruções de segurança.
- ◆ Fixe e mantenha a área de trabalho, como indicado nas instruções de segurança.
- ◆ Ligue a aparafusadora com uma definição muito baixa e uma pressão ligeira até obter um orifício com um tamanho suficiente que impeça que a broca deslize.
- ◆ Aplique pressão numa linha recta com a broca. Aplique pressão suficiente para perfurar com a broca, mas não a empurre demasiado, porque o motor pode bloquear ou a broca pode desviar-se.
- ◆ Segure a ferramenta firmemente com ambas as mãos, de modo a controlar a acção de torção da broca.
- ◆ **NÃO PRESSIONE E LIBERTE O GATILHO DE UMA PERFURADORA ENCRAVADA PARA TENTAR UTILIZÁ-LA. PODEM DANIFICAR A PERFURADORA.**
- ◆ Minimize o encravamento, reduzindo a pressão e perfurando lentamente na última parte do orifício.
- ◆ Mantenha o motor em funcionamento quando retirar a broca de um orifício perfurado. Isto impede que a broca fique encravada.
- ◆ Certifique-se de que o interruptor liga e desliga a perfuradora.

### Perfurar em madeira

Os orifícios na madeira podem ser feitos com as brocas torcidas para metal ou com brocas achatadas. Estas brocas devem estar afiadas e retiradas com frequência quando retirar limbas das estrias.

### Perfurar em metal

Utilize um lubrificante de corte para perfuração de metais. As excepções incluem ferro fundido e latão, que devem ser perfurados a seco. Os lubrificantes de corte mais adequados são óleo de corte sulfurizado ou óleo de banha.

### Perfurar em alvenaria

Para perfurar em alvenaria, coloque o anel (3) na posição de perfuração com martelo, alinhando o símbolo com a marca. Deslize o selector de velocidade (5) na direcção da parte da frente da ferramenta (2.ª velocidade).

### Aparafusamento

- ◆ Utilize sempre o tipo e o tamanho correctos da broca da lâmina da chave de fendas.
- ◆ Se for difícil apertar os parafusos, aplique uma pequena

quantidade de líquido de lavagem ou de sabão como lubrificante.

- ◆ Segure sempre a ferramenta e a lâmina da chave de fendas em linha recta com o parafuso

## Resolução de problemas

Problema	Causa possível	Solução possível
A unidade não arranca.	A bateria não está carregada.	Verifique os requisitos de carregamento da bateria
A bateria não carrega.	O carregador não está ligado.  A temperatura ambiente está demasiado quente ou fria.	Ligue o carregador a uma tomada eléctrica.  Coloque o carregador e a bateria num local com uma temperatura ambiente superior a 40 graus F (4,5 °C) ou inferior a 105 graus F (+40,5 °C)
A unidade desliga-se de maneira abrupta.	A bateria atingiu o limite térmico máximo.  Sem carga. (Para maximizar a duração da bateria, esta foi concebida para desligar-se de maneira abrupta quando a carga chega ao fim	Deixe a bateria a arrefecer.  Coloque-a no carregador e deixe-a a carregar.

## Manutenção

A ferramenta eléctrica da BLACK+DECKER foi concebida para funcionar durante um longo período de tempo com uma manutenção mínima. Uma utilização continuamente satisfatória depende de uma manutenção apropriada da ferramenta e de uma limpeza regular.

O carregador não requer manutenção, além da limpeza normal.

**Atenção!** Antes de efetuar qualquer tarefa de manutenção, retire a bateria da ferramenta. Desligue o carregador antes de limpá-lo.

- ◆ Limpe com regularidade as aberturas de ventilação da ferramenta e o carregador com uma escova macia ou um pano seco.
- ◆ Limpe com regularidade o compartimento do motor com um pano húmido.  
Não utilize produtos de limpeza abrasivos ou à base de solventes.
- ◆ Abra com regularidade o mandril e bata para retirar qualquer poeira do interior.

## Protecção do ambiente



Faça uma recolha de lixo seletiva. Os produtos e as baterias assinalados com este símbolo não devem ser eliminados juntamente com o lixo doméstico normal.

Os produtos e baterias contêm materiais que podem ser

recuperados ou reciclados, reduzindo a necessidade de matérias-primas. Recicle os produtos eléctricos e as baterias de acordo com as disposições locais. Estão disponíveis mais informações em [www.2helpU.com](http://www.2helpU.com)

### Dados técnicos

BCD003		
Tensão	$V_{CC}$	18
Velocidade sem carga	Min. <sup>-1</sup>	0 - 360/0 - 1400
Binário máximo	Nm	45
Capacidade do mandril	mm	1-10
Capacidade máxima de perfuração		
Aço/madeira/alvenaria	mm	10/25/10
Peso	kg	0.9

Carregador		905902**	906349**
Tensão de entrada	$V_{CA}$	230	230
Tensão de saída	$V_{CC}$	18	18
Corrente	mA	400	1 A
Tempo aproximado de carga	Horas	3 - 11	1.5 - 4

Bateria			BL1518
Tensão	$V_{CC}$		18
Capacidade	Ah		1,5
Tipo	lões de lítio		

Nível de pressão acústica de acordo com a EN 62841:	
Pressão acústica ( $L_{pA}$ )	86,0 dB(A), variabilidade (K) 5 dB(A)
Potência acústica ( $L_{WA}$ )	97,0 dB(A), variabilidade (K) 5 dB(A)

Valores totais de vibração (soma vectorial triaxial) em conformidade com a norma EN 62841:	
Perfuração em betão ( $a_{h,10}$ )	6.8 m/s <sup>2</sup> , variabilidade (K) 1,5 m/s <sup>2</sup>
Perfuração em metal ( $a_{h,10}$ )	1,8 m/s <sup>2</sup> , variabilidade (K) 1,5 m/s <sup>2</sup>

### Declaração de conformidade da CE DIRECTIVA "MÁQUINAS"



Perfuradora de impacto BCD003

A Black & Decker declara que os produtos descritos em "dados técnicos" se encontram em conformidade com as seguintes normas e directivas:  
2006/42/CE, EN62841-1:2015, EN62841-2-1:2018+A11:2019.

Estes produtos estão também em conformidade com as directivas 2014/30/UE e 2011/65/UE. Para obter mais informações, contacte a Black & Decker através da morada indicada em seguida ou consulte o verso do manual.

O abaixo assinado é responsável pela compilação do ficheiro técnico e faz esta declaração em nome da Black & Decker.

*Patrick Diepenbach*

Patrick Diepenbach  
Director General, Benelux  
Black & Decker,  
Egide Walschaertsstraat 14 -18  
2800 Malinas, Bélgica  
10/09/2021

### Garantia

A Black & Decker confia na qualidade dos seus produtos e oferece aos clientes uma garantia de 24 meses a partir da data de compra. Esta garantia é um complemento dos seus direitos estabelecidos por lei, não os prejudicando de forma alguma. A garantia é válida nos Estados-membros da União Europeia e nos países-membros da Zona Europeia de Comércio Livre.

Para acionar a garantia, esta deve estar em conformidade com os termos e condições da Black & Decker e terá de apresentar comprovativos de compra ao vendedor ou a um técnico de reparação autorizado.

Os termos e condições da garantia de 2 anos da Black & Decker e a localização do técnico de reparação autorizado mais próximo podem ser obtidos na Internet em [www.2helpU.com](http://www.2helpU.com) ou contactando uma filial da Black & Decker, cuja morada está indicada neste manual.

Visite o nosso Website [www.blackanddecker.co.uk](http://www.blackanddecker.co.uk) para registar o seu novo produto da Black & Decker e receber atualizações sobre novos produtos e ofertas especiais.

## Avsedd användning

Din BLACK+DECKER BCD003 - slagbormaskin har designats för skruvdragning och för borring i trä, metall och murverk. Detta verktyg är endast avsett för konsumentbruk.

## Säkerhetsinstruktioner

### Allmänna säkerhetsanvisningar för elverktyg



**Varning! Läs alla säkerhetsvarningar, instruktioner, illustrationer och specifikationer som levereras med detta elverktyg. Underlåtenhet att läsa alla instruktioner som listas här nedan kan resultera i elektrisk stöt, eldsvåda och/eller allvarlig personskada.**

**Spara alla säkerhetsföreskrifter och anvisningar för framtida bruk.** Begreppet "elverktyg" i alla varningar som listas nedan avser nätdrivna elverktyg (med nätsladd) och batteridrivna elverktyg (sladdlösa).

#### 1. Säkerhet på arbetsplatsen

- Håll arbetsområdet rent och ordentligt upplyst.** Belamrade och mörka områden inbjuder till olyckor.
- För att undvika explosionsrisk bör du inte använda elverktyget i omgivningarna med brännbara vätskor, gaser eller damm.** Elverktyg skapar gnistor som kan antända damm eller ångor.
- Håll barn och andra personer på betryggande avstånd när du använder elverktyg.** Distractioner kan göra att du förlorar kontrollen.

#### 2. Elsäkerhet

- Elverktygets stickkontakt måste passa i eluttaget. Modifiera aldrig kontakten på något sätt. Använd inga adapterkontakter tillsammans med jordade elverktyg.** Icke modifierade kontakter och passande uttag minskar risken för elektrisk stöt.
- Undvik kroppskontakt med jordade ytor som t.ex. rör, värmelement, spisar och kylskåp.** Det finns en ökad risk för elektrisk stöt om din kropp är jordansluten eller jordad.
- Skydda elverktyget mot regn och väta.** Vatten som kommer in i ett elverktyg ökar risken för elektrisk stöt.
- Hantera inte nätsladden varsamt. Använd aldrig sladden för att bära, dra eller koppla bort elverktyget från uttaget. Håll sladden borta från värme, olja, skarpa kanter eller rörliga delar.** Skadade eller tilltrasslade sladdar ökar risken för elektrisk stöt.
- Använd endast förlängningssladdar som är godkända för utomhusbruk när du arbetar med elverktyg utomhus.** Användning av en sladd som är lämplig för utomhusbruk minskar risken för elektriska stötar.

- Om du måste använda ett elverktyg på en fuktig plats ska du använda jordfelsbrytare.** Användning av en jordfelsbrytare minskar risken för elektrisk stöt.

#### 3. Personlig säkerhet

- Var uppmärksam, se på vad du gör och använd elverktyget med förnuft.** Använd inte ett elverktyg när du är trött eller påverkad av droger, alkohol eller mediciner. Ett ögonblicks ouppmärksamhet när du arbetar med elektriska verktyg kan leda till allvarliga personskador.
- Använd personlig skyddsutrustning. Använd alltid skyddsglasögon.** Skyddsutrustning såsom dammfilterskydd, halksäkra säkerhetsskor, skyddshjälm eller hörselskydd som används för lämpliga förhållanden minskar personskador.
- Undvik oavsiktlig start. Kontrollera att strömbrytaren står i avstängt läge innan du ansluter verktyget till elnätet eller sätter i batteriet, samt innan du tar upp eller bär verktyget.** Att bära elektriska verktyg med fingret på strömbrytaren eller att koppla strömmen till elektriska verktyg när strömbrytaren är på leder till olyckor.
- Ta bort alla inställningsverktyg och skruvnycklar innan du startar elverktyget.** Ett verktyg eller en nyckel som har lämnats kvar på en roterande del av det elektriska verktyget kan orsaka kroppsskador.
- Böj dig inte för långt. Ha ordentligt fotfäste och balans hela tiden.** Detta möjliggör bättre kontroll av elverktyget i oväntade situationer.
- Klä dig på lämpligt sätt. Bär inte lösa kläder eller smycken. Håll hår, beklädnad och handskar borta från delar i rörelse.** Lösa kläder, smycken eller långt hår kan fastna i rörliga delar.
- Om elverktyget har utrustning för dammsugning och -uppsamling ska du kontrollera att utrustningen är rätt monterad och används på korrekt sätt.** Användning av dammuppsamling kan minska dammrelaterade risker.
- Låt inte erfarenheten som uppnås vid frekvent användning av verktyg låta dig bli för självsäker och ignorera verktygsäkerhetsprinciperna.** En oförsiktig handling kan orsaka allvarliga skador under bråkdelen av en sekund.

#### 4. Användning och skötsel av elverktyg

- Överbelasta inte elverktyget. Använd rätt elverktyg för ditt arbete.** Det korrekta elverktyget gör arbetet bättre och säkrare vid den hastighet för vilket det konstruerades.
- Använd inte elverktyget om det inte går att starta och stänga av det med strömbrytaren.** Ett elverktyg som inte kan kontrolleras med strömbrytaren är farligt och måste repareras.



- c. **Ta ur kontakten från strömkällan** och/eller batteriet från elverkyttet, om det går att ta bort, innan du gör några justeringar, byter tillbehör eller lagrar elverkytten. Sådana förebyggande säkerhetsåtgärder minskar risken att oavsiktligt starta elverkyttet.
- d. **Förvara elverkytet utom räckhåll för barn. Låt inte elverkyttet användas av personer som inte är vana vid det, eller som inte läst denna bruksanvisning.** Elverkytet är farliga i händerna på ovana användare.
- e. **Underhåll elverkytet och tillbehör. Kontrollera att rörliga komponenter fungerar felfritt och inte kärvar, att komponenter inte gått sönder eller skadats och inget annat föreligger som kan påverka elverkyttets funktion. Om det är skadat, se till att elverkyttet blir reparerat före användning.** Många olyckor orsakas av dåligt underhållna elektriska verktyg.
- f. **Håll skärverktyg vassa och rena.** Korrekt underhållna kapverktyg med vassa skär är mindre troliga att de fastnar och är lättare att kontrollera.
- g. **Använd elverkyttet, tillbehör, insatsverktyg osv. enligt dessa anvisningar och på sätt som föreskrivits för aktuell verktygsmodell. Ta hänsyn till arbetsvillkoren och arbetsmomenten.** Användning av elverkyttet för andra uppgifter än vad som avsetts kan resultera i farliga situationer.
- h. **Håll handtagen och greppytorna torra, rena och fria från olja och fett.** Hala handtag och greppytorna förhindrar säker hantering och kontroll av verktyget i oväntade situationer.
5. **Batteriverktyg användning och vård (använd endast för batteriverktyg)**
- a. **Ladda endast med den laddare som rekommenderas av tillverkaren.** En laddare som passar en batterityp kan medföra brandrisk om den används ihop med ett annat batteri.
- b. **Använd elverkyttet endast med batterier som är speciellt avsedda för ändamålet.** Användning av andra batteripaket kan utgöra en risk för personskador och brand.
- c. **När batteriet inte används ska du hålla det åtskilt från metallföremål som gem, mynt, nycklar, spik, skruvar och andra små metallföremål som kan orsaka kortslutning mellan batteriets poler.** Kortslutning av batteripolerna kan leda till brännskador eller eldsvåda.
- d. **Under olämpliga förhållanden kan vätska spruta ut från batteriet. Undvik kontakt. Vid oavsiktlig kontakt, spola med vatten. Om vätskan kommer i kontakt med ögonen, sök också läkarhjälp.** Vätska som sprutar ur batteriet kan orsaka sveda och brännskador.
- e. **Använd inte batteripaket eller verktyg som är skadade eller modifierade.** Skadade eller modifierade batterier kan uppvisa oförutsägbart beteende som kan leda till brand, explosion eller risk för skada.
- f. **Utsätt inte batteripaket eller verktyg för brand eller höga temperaturer.** Exponering för brand eller temperatur över 130 °C kan orsaka explosion. NOTERA: Temperaturen "130 °C" kan ersättas med temperaturen "265 °F".
- g. **Följ laddningsinstruktionerna och ladda inte batteripaketet eller verktyget utanför det temperaturområde som specificeras i instruktionerna.** Om du laddar batteriet felaktigt eller vid temperaturer utanför det angivna området kan det skada batteriet och öka risken för brand.
6. **Service**
- a. **Låt elverkyttet endast repareras av kvalificerad fackpersonal och med originalreservdelar.** Detta säkerställer att elverkyttets säkerhet bibehålls.
- b. **Utför aldrig service på skadade batteripaket.** Service på batteripaket skall endast utföras av tillverkaren eller auktoriserad servicepersonal (endast för batteriverktyg).
- Säkerhetsinstruktioner för all verksamhet**
- Använd hörselskydd vid slagborrning. Att utsättas för buller kan leda till hörselskador.
  - Håll verktyget i de isolerade greppytorna vid arbete där skärtillbehöret eller chucken riskerar att komma i kontakt med dolda elledningar. Om skärtillbehöret eller chucken går igenom en strömförande ledning kommer verktygets metalldelar att bli strömförande och ge dig en elektrisk stöt.
- Säkerhetsinstruktioner när du använder långa borrbits**
- Kör aldrig med högre hastighet än borrbitens maximala hastighet. Vid högre hastigheter kommer bitsen troligen att böjas om den får rotera fritt utan att komma i kontakt med arbetsstycket, vilket kan resultera i personskada.
  - Börja alltid borra med låg hastighet och med bitspetsen i kontakt med arbetsstycket. Vid högre hastigheter kommer bitsen troligen att böjas om den får rotera fritt utan att komma i kontakt med arbetsstycket, vilket kan resultera i personskada.
  - Tryck endast i direkt linje med bitsen och applicera inte för högt tryck. Bits kan böjas och orsaka brott eller förlust av kontroll, vilket kan leda till personskada.

### Ytterligare specifika säkerhetsregler för bormaskiner/skruvdragare/slagbormaskiner

- Använd klämmor eller något annat praktiskt sätt att säkra och stöjda arbetsstycket vid ett stabilt underlag. Att hålla arbetet för hand eller mot kroppen är instabilt och kan göra att du förlorar kontrollen.
- Tillbehör och verktyg kan bli heta under arbetet. Använd handskar vid hantering om arbete görs som producerar hetta såsom borring i metall.
- Luftventiler täcker ofta rörliga delar och bör undvikas. Lösa kläder, smycken eller långt hår kan fastna i rörliga delar.
- Använd skyddsglasögon eller annat ögonskydd. Slagborring och borrararbeten kan göra att flisor flyger omkring. Flygande partiklar kan orsaka permanenta ögonskador.
- Använd hörselskydd vid slagborring. Att utsättas för buller kan leda till hörselskador.
- Använd hjälphandtag om de medföljer verktyget. Tappad kontroll kan orsaka personskador.
- Arbeta inte med verktyget under långa perioder. Vibrationer som orsakas av slagverktygets arbete kan vara skadligt för dina händer och armar. Använd handskar för att få extra stötdämpning och begränsa exponeringen genom att ta regelbundna pauser.

### Säkerhet för andra

- Denna apparat kan användas av barn från 8 år och personer med nedsatt fysisk eller psykisk förmåga eller bristande erfarenhet eller kunskap, om de övervakas eller får instruktioner om hur apparaten används och är medvetna om riskerna.
- Barn ska inte leka med apparaten. Rengöring och användarunderhåll ska inte utföras av barn utan övervakning.

### Kvarvarande risker

Ytterligare risker kan uppstå när verkget används vilka kanske inte är inkluderade i de medföljande säkerhetsvarningarna. Dessa risker kan uppstå vid missbruk, för lång användning etc.

Även vid användning av de relevanta säkerhetsbestämmelserna och implementering av säkerhetsenheter kan vissa kvarvarande risker inte undvikas. Dessa inkluderar:

- ◆ Skador orsakade av att roterande/rörliga delar vidrörs.
- ◆ Skador orsakade när delar, skivor eller tillbehör byts.
- ◆ Skador orsakade av för lång användning av ett verktyg. När något verktyg används under lång tid se till att ta regelbunden paus.
- ◆ Hörselnedsättning.
- ◆ Hälsorisker orsakade av inandning av damm som uppstår när verktyget använd (exempelvis vid arbete med trä, särskilt ek, bok och MDF.)

### Vibration

De deklarerade vibrationsvärdena som fastställts i de tekniska data och i deklarationen om överensstämmelse har uppmätts i enlighet med en standardtestmetod som tillhandahålls av EN 62841 och kan användas för att jämföra ett verktyg med ett annat. De deklarerade vibrationsvärdena kan också användas för en preliminär uppskattning av exponeringen.



**Varning!** Vibrationsvärdet under faktisk användning av elverktyg kan skilja sig från de deklarerade värdena beroende på hur verktyget används. Vibrationsnivån kan öka över det fastställda värdet.

Vid uppskattning av vibrationsexponering för att avgöra säkerhetsåtgärder som krävs av 2002/44/EG för att skydda personer som regelbundet använder elverktyg i arbetet bör en uppskattning av vibrationsexponeringen överväga de verkliga förhållanden för användningen och hur verktyget används, inklusive att alla delar av arbetet tas med i beräkningen av driftcykeln, såsom när verktyget stängs av och när det körs på tomgång förutom körtiden.

### Etiketter på verktyget

Följande symboler visas på verktyget tillsammans med datumkoden::



**Varning!** För att minska risken för skador måste användaren läsa bruksanvisningen.



Använd hörselskydd vid slagborring. Exponering för buller kan orsaka hörselskador.



Titta inte direkt in i arbetslampan

### Ytterligare säkerhetsinstruktioner för batterier och laddare

#### Batterier

- Försök aldrig öppna batteriet.
- Utsätt inte batteriet för vatten.
- Utsätt inte batteriet för värme.
- Förvara inte på platser där temperaturen kan bli högre än 40 °C.
- Ladda endast vid temperaturer mellan 10 °C och 40 °C.
- Ladda endast med hjälp av laddaren som medföljer apparaten/verktyget.
- Följ instruktionerna som anges i avsnittet "Miljö" när du kastar batterierna.
- Skydda batteripaketet från skador/deformeringar i form av slag och stötar eftersom det kan leda till personskador eller eldsvåda.
- Ladda inte skadade batterier.

- Under extrema förhållanden kan batterierna läcka. Om det finns vätska på batterierna ska du torka bort vätskan försiktigt med en trasa. Undvik hudkontakt.
- Följ instruktionerna nedan vid kontakt med hud eller ögon.



**Varning!** Batterivätskan kan orsaka person- eller materialskador. Vid hudkontakt, skölj genast med vatten. Vid rodnader, smärta eller irritation ska läkare uppsökas. Vid kontakt med ögon, skölj genast med rent vatten och uppsök läkare.

## Laddare

Laddaren är avsedd för en viss spänning. Kontrollera alltid att nätspänningen överensstämmer med spänningen på typskylten.



**Varning!** Försök aldrig byta ut laddaren mot en vanlig nätkontakt.

- Laddaren får bara användas för att ladda batteriet i det verktyg som laddaren levererades med. Andra batterier kan spricka och orsaka personskador och andra skador.
- Försök aldrig ladda batterier som inte är uppladdningsbara.
- Om nätsladden är skadad måste den bytas ut av tillverkaren eller ett auktoriserat servicecenter för att farliga situationer ska undvikas.
- Byt defekta sladdar omgående.
- Utsätt inte laddaren för vatten.
- Öppna inte laddaren.
- Gör ingen åverkan på laddaren.
- Redskapet/verktyget/batteriet ska placeras på en plats med god ventilation vid laddning.



Laddaren verktyg är endast avsett för inomhusbruk.

## Elektrisk säkerhet



Denna laddare är dubbelisolerat; därför behövs ingen jordanslutning. Kontrollera alltid att nätspänningen motsvarar spänningen på märkplattan. Försök inte att byta ut laddaren mot en vanlig nätkontakt.

- ◆ Om strömsladden är skadad måste den bytas av tillverkaren eller av ett auktoriserat BLACK+DECKER servicecenter för att undvika faror.

## Funktioner

Detta verktyg inkluderar vissa eller alla av följande funktioner.

1. Variabel hastighetsavtryckare
2. Skjutknapp framåt/bakåt
3. Inställningshylsa vridmoment
4. Nyckelfri chuck
5. Dubbelväxellåda

6. LED-arbetsbelysning
7. Batteri
8. Batterilåsknapp

## Montering

### Använd

**Varning!** Låt verktyget arbeta i egen takt. Överbelasta inte.

### Ladda batteriet (bild A1, A2)

Batteriet behöver laddas innan första användning och närhelst det inte producerar tillräckligt med energi för arbeten som lätt gjordes tidigare. Batteriet kan bli varmt under laddningen, detta är normalt och indikerar inte något problem.

**Varning!** Ladda inte batteriet vid en omgivande temperatur under 10 °C eller över 40 °C.

Rekommenderad laddningstemperatur: ungefär 24 °C.

**Notera: Laddaren kommer inte att ladda ett batteri om celltemperaturen är under ungefär 10 °C eller över 40 °C. Batteriet skall lämnas kvar i laddaren och laddaren kommer att påbörja laddningen automatiskt när celltemperaturen värmts upp eller kylts ned.**

- ◆ Koppla in laddaren (9) i ett 230 Volts 50 Hz eluttag.
- ◆ Skjut in batteripaketet (7) i laddaren såsom visas i bild A1, A2.

LED (9a) kommer att blinka för att indikera att batteriet laddas.

När laddningen är klar indikeras det av att LED (9a) lyser konstant. Paketet är fulladdat och kan nu användas eller lämnas i laddaren.

**Varning!** brandfara. När batteriet skall tas bort från laddaren se till att först koppla bort laddaren från vägguttaget ta sedan bort batteriet från laddaren.

### Laddningsdiagnostik

Denna laddare är designad att upptäcka vissa problem som kan uppstå med batteripaketet eller strömkällan. Problem indikeras av att en LED blinkar i olika mönster.

### Dåligt batteri

Laddaren kan upptäcka ett svagt eller skadat batteri. LED blinkar i mönstret som indikeras på etiketten. Om du ser ett dåligt batteri, fortsätt då inte att ladda batteriet. Återlämna det till ett servicecenter eller till återvinningen.

### Fördröjning hett/kallt paket

När laddaren upptäcker ett batteri som är överdrivet hett eller överdrivet kallt startat den automatiskt en hett/kallt paketfördröjning och skjuter upp laddningen tills batteriet har normal temperatur. Efter att detta sker kommer laddaren automatiskt att växla till paketladdningsläge. Denna funktion garanterar maximal livslängd för batteriet. Ljuset blinkar i mönstret som indikeras på etiketten.

## Lämna batteriet i laddaren

Laddaren och batteripaketet kan lämnas anslutna med LED lysande på obestämd tid. Laddaren kommer att hålla batteripaketet fräscht och fulladdat. Denna laddare har ett automatiskt finjusteringsläge som jämnar ut eller balanserar de enskilda cellerna i batteripaketet vilket gör att den fungerar med toppkapacitet. Batteripaketet bör finjusteras veckovis eller närhelst batteriet inte längre levererar samma arbetskapacitet. För att använda det automatiska läget, placera batteripaketet i laddaren och lämna det där i minst åtta timmar.

## Viktiga laddningsnoteringar

- ◆ Längsta livslängd och bäst prestanda kan erhållas om batteripaketet laddas när lufttemperaturen är mellan 18 ° – 24 °C. Ladda INTE batteripaketet i en lufttemperatur under +4,5 °C eller över +40 °C. Detta är viktigt och kommer att förhindra allvarliga skador på batteripaketet.
- ◆ Laddaren och batteripaketet kan bli för varma att vidröra under laddningen. Detta är ett normalt förhållande och indikerar inte något problem. För att möjliggöra kylning av batteripaketet efter användning, undvik att placera laddaren eller batteripaketet i en varm miljö såsom i ett metallskjul eller i en oisolerad släpvagn.
- ◆ Om batteripaketet inte laddas korrekt:
  - ◆ Kontrollera funktionen i uttaget genom att koppla in en lampa eller annan apparat;
  - ◆ Kontrollera om uttaget är anslutet till en strömbrytare som stänger av strömmen när du släcker lamporna;
  - ◆ Flytta laddaren och batteripaketet till en plats där den omgivande temperaturen är ungefär 18 ° – 24 °C;
  - ◆ Om laddningsproblemen kvarstår, lämna verktyget, batteripaketet och laddaren till ditt lokala servicecenter.
- ◆ Batteripaketet skall laddas när det inte klarar av att producera tillräckligt med energi såsom det lätt gjort tidigare. FORTSÄTT INTE att använda under dessa förhållanden. Följ laddningsproceduren. Du kan också ladda delvis använda ett delvis använd paket närhelst du önskar utan några negativa effekter på batteripaketet.
- ◆ Främmande material som är ledande såsom, men inte begränsat till slipdamm, metallspån, stålull, aluminiumfolie eller annat ansamlade metallpartiklar skall hållas undan från laddarens öppning. Koppla ifrån laddare när den skall rengöras.
- ◆ Frys inte eller sänk ned laddaren i vatten eller annan vätska.

## Installation eller borttagning av batteripaketet från verktyget (bild B)

**Varning!** Se till att låsknappen (2) är aktiverad för att förhindra att omkopplare aktiveras innan batteriet installeras eller tas bort.

Installera batteripaketet:

- ◆ Sätt i batteripaketet (7) i verktyget till ett ljudligt klick hörs (bild B)

## Borttagning av batteripaketet från verktyget (bild C)

- ◆ Tryck på låsknappen (8) såsom visas i (bild C) och dra ut batteripaketet från verktyget.

## Driftinstruktioner

### Avtryckarknapp backknapp (bild D)

- ◆ Borrmaskinen slås PÅ och stängs AV genom att trycka in eller släppa avtryckarknappen (1). Ju längre avtryckaren trycks in, desto högre hastighet på borren.
- ◆ En framåt/bakåt kontrollknapp (2) avgör riktningen för verktyget och fungerar också som en låsknapp.
- ◆ För att välja framåtrotnation, släpp avtryckaren och tryck framåt/bakåt kontrollknappen åt höger.
- ◆ För att välja bakåt, tryck framåt/bakåt kontrollknappen i motsatt riktning.

**Notera:** Mittenpositionen på kontrollknappen låser verktyget i avstängd position. Vid ändring av positionen för kontrollknappen se till att avtryckaren är släppt.

### Kontroll av vridmoment (bild E)

Detta verktyg är utrustat med en inställningshylsa för vridmomentet (3) för att välja driftläge och för att ställa in vridmomentet för åtdragning av skruvar. Stora skruvar och hårt material i arbetsstycken kräver en högre inställning av vridmomentet än små skruvar i mjuka material.

- ◆ För borring i trä, metall och plast, ställ in hylsan på borsymbolen
- ◆ För skruvdragning, ställ in hylsan på önskad inställning. Om du inte vet lämplig inställning, gör enligt följande:
- ◆ Ställ in hylsan på det lägsta vridmomentet.
- ◆ Dra åt den första skruven.
- ◆ Om kopplingen hackar innan önskat resultat uppnåtts, öka hylsans inställning och fortsätt att dra åt skruven. Upprepa tills du når korrekt inställning. Använd denna inställning för de resterande skruvarna.

### Nyckelfri chuck (bild F)

**Varning!** Se till att låsknappen (2) är aktiverad för att förhindra att omkopplare aktiveras innan installation eller borttagning av tillbehör.

Isättning av en borrbits eller annat tillbehör:

- ◆ Ta tag i den bakre halvan av chucken (4) med ena handen och använd den andra handen för att vrida på den främre halvan moturs såsom visas från chuckänden.
- ◆ Sätt in bitsen eller annat tillbehör helt i chucken och dra åt genom att hålla i den bakre halvan av chucken och vrida på den främre delen medurs såsom visas från chuckänden.

**Varning!** Försök inte att dra åt borrbits (eller andra tillbehör) genom att ta tag i främre delen av chucken och slå på verktyget. Chucken kan skadas eller personskadorna kan uppstå när tillbehör byts.

### Dubbelt växelområde (bild G)

Den dubbla områdesfunktionen låter dig byta växel för större mångsidighet.

För att välja inställningen låg hastighet, högt vridmoment (position 1), stäng av verktyget och låt det stanna. Skjut växelbytesknappen (5) bort från chucken. För att välja inställningen hög hastighet, lågt vridmoment (position 2), stäng av verktyget och låt det stanna.

Skjut växelbytesknappen mot chucken.

**Notera:** Ändra inte växlar medan verktyget körs. Om du har problem med att byta växel se till att ratten för dubbla områdesväxeln är antingen helt tryckt framåt eller helt tillbakadragen.

### Borning/skruvdragning

- ◆ Välj framåt- eller bakåtroteration med skjutreglaget framåt-/bakåt (2).
- ◆ För att slå på verktyget, tryck på omkopplaren (1). Verktygets hastighet beror på hur långt du trycker in avtryckaren.
- ◆ För att stänga av verktyget, släpp omkopplaren.

### Tips för optimal användning

#### Borning

- ◆ Använd endast vassa borrbits.
- ◆ Stöd och fäst arbetet ordentligt såsom instrueras i säkerhetsinstruktionerna.
- ◆ Använd säkerhetsutrustning som är lämplig och som krävs för säker användning av utrustningen, såsom instrueras i säkerhetsinstruktionerna.
- ◆ Se till att arbetsområdet är säkert och underhållet såsom instrueras i säkerhetsinstruktionerna.
- ◆ Kör borren sakta med lätt tryck tills hålet är tillräckligt stort för att hålla kvar borren så att den inte glider ut.
- ◆ Använd tryck i en rak linje med bitsen. Använd tillräckligt tryck så att bitsen fäster men inte så mycket att motorn stannar eller påverkar bitsen.
- ◆ Håll bormaskinen i ett fast grepp med båda händerna för att kontrollera dess vridning.

- ◆ KLICKA INTE PÅ AVTRYCKAREN FÖR ATT LOSSA EN BORR SOM FASTNAT ELLER FÖR ATT FÖRSÖKA ATT STARTA DEN. SKADOR PÅ BORREN KAN UPPSTÅ.
- ◆ Minimera att den fastnar vid genombrottet genom att minska trycket och sakta borra genom den sista delen av hålet.
- ◆ Låt motorn köra medan bitsen dras ut ur det borrade hålet. Detta hjälper till att reducera fastklämning.
- ◆ Se till att omkopplaren kan slå på och stänga av bormaskinen.

#### Borning i trä

Hålen i trä kan göras med samma borrbits som används för metall eller med plattborrar. Dessa bits skall vara vassa och skall dras ut regelbundet vid borring för att rensa spån från spåret.

#### Borning i metall

Använd ett skärsmörjmedel vid borring i metall.

Undantaget är gjutjärn och mässing som skall borras torrt.

Skärsmörjmedlet som fungerar bäst är svavelskärolja eller späckolja.

#### Borning i murverk

För borring i murverk ställ in hylsan (3) i slagborrposition genom att rikta in symbolen mot markeringen. Skjut hastighetsväljaren (5) mot fronten på verktyget (2:a växeln).

#### Skruvdragning

- ◆ Använd alltid korrekt typ och storlek på skruvbitsen.
- ◆ Om skruvar är svåra att dra åt, påför en liten mängd diskmedel eller tvål som smörjmedel.
- ◆ Håll alltid verktyget och skruvdragaren i en rak linje mot skruven

#### Felsökning

Problem	Möjlig orsak	Möjlig lösning
Enheten startar inte.	Batteripaketet är inte laddat.	Kontrollera batteripaketets laddningskrav
Batteripaketet vill inte ladda.	Laddaren är inte inkopplad. Omgivande lufttemperatur är för varm eller för kall.	Koppla in laddaren i ett fungerande eluttag. Flytta laddaren och batteripaketet till en omgivande lufttemperatur över 4,5 °C eller under +40,5 °C
Enheten stängs av plötsligt.	Batteripaketet ha nått dess maximala termiska gräns. Utan laddning, (För att maximera livslängden för batteripaketet är de designat att stängas av plötsligt när laddningen är slut	Låt batteripaketet svalna. Placera i laddaren för att ladda.

## Underhåll

Ditt BLACK+DECKER verktyg har designats att fungera under lång tid med minimalt underhåll. Fortsatt tillfredsställande drift beror korrekt verktygsvård och regelbunden rengöring. Din laddare kräver inget underhåll förutom regelbunden rengöring.

**Varning!** Innan något underhåll görs på verktyget, ta bort batteriet från verktyget. Koppla ifrån laddaren innan den rengörs.

- ◆ Rengör regelbundet ventilationsöppningarna på verktyget och laddaren med en mjuk borste eller en torr trasa.
- ◆ Rengör regelbundet motorhöljet med en fuktig trasa. Använd inte slipande eller lösningsmedelsbaserat rengöringsmedel.
- ◆ Öppna regelbundet chucken och knacka för att ta bort damm från insidan.

## Skydda miljön



Separat insamling. Produkter och batterier som är markerade med denna symbol får inte kastas i de vanliga hushållsoporna.

Produkterna och batterierna innehåller material som kan återvinnas eller återanvändas, vilket sänker behovet av råmaterial. Återvinn elektriska produkter och batterier enligt lokala föreskrifter. Närmare information finns tillgänglig på [www.2helpU.com](http://www.2helpU.com)

## Tekniska data

		BCD003
Spänning	$V_{DC}$	18
Obelastat varvtal	$Min^{-1}$	0 - 360/0 - 1400
Max. vridmoment	Nm	45
Chuckkapacitet	mm	1-10
Max. borrhåldjup		
Stålträwood/Murverk	mm	10/25/10
Vikt	kg	0,9

Laddare		905902**	906349**
Ingående spänning	$V_{DC}$	230	230
Utgående spänning	$V_{DC}$	18	18
Ström	mA	400	1A
Ungefärlig laddningstid	Timmar	3 - 11	1.5 - 4

		BL1518
Spänning	$V_{DC}$	18
Kapacitet	Ah	1,5

Batteri		BL1518
Typ		Li-jon

Ljudtrycksnivå enligt EN 62841:
Ljudtryck ( $L_{pA}$ ) 86,0 dB(A), osäkerhet (K) 5 dB(A)
Ljudeffekt ( $L_{WA}$ ) 97,0 dB(A), osäkerhet (K) 5 dB(A)

Vibration totalvärde (triax vektorsumma) enligt EN 62841:
Borrning i betong ( $a_{h,D}$ ) 6,8 m/s <sup>2</sup> , osäkerhet (K) 1,5 m/s <sup>2</sup>
Borrning i metall ( $a_{h,D}$ ) 1,8 m/s <sup>2</sup> , osäkerhet (K) 1,5 m/s <sup>2</sup>

## EG deklARATION om ÖVERENSSTÄMMELSE MASKINDIREKTIVET



BCD003 - slagborr

Black & Decker deklarerar att dessa produkter som beskrivs under "tekniska data" uppfyller: 2006/42/EG, EN62841-1:2015, EN62841-2-1:2018+A11:2019.

Dessa produkter uppfyller också direktiv 2014/30/EU och 2011/65/EU. För ytterligare information kontakta Black & Decker på följande adress eller se baksidan på denna manual.

Undertecknad ansvarig för kompilering av den tekniska filen och gör denna deklARATION på Black & Deckers vägnar.

*Patrick Diepenbach*

Patrick Diepenbach  
General Manager, Benelux  
Black and Decker,  
Egide Walschaertsstraat 14-18  
2800 Mechelen, Belgien  
10/09/2021

## Garanti

Black & Decker är säker på kvaliteten hos denna produkt och erbjuder kunder 24 månaders garanti från inköpsdatumet. Denna garanti är ett tillägg till dina lagstadgade rättigheter och påverkar inte dessa på något sätt. Garantin är giltig i de områden som tillhör medlemsstaterna i Europeiska unionen och det europeiska frihandelsområdet.

För yrkande under garantin måste yrkandet vara in enlighet med Black & Deckers villkor och du kommer att behöva skicka in bevis på köpet till försäljaren eller en auktoriserad reparatör. Villkoren för Black & Deckers 2-åriga garanti och var du hittar din närmaste auktoriserade reparatör kan fås på internet på **www.2helpU.com**, eller genom att kontakta ditt lokala Black & Decker-kontor på adressen som anges i denna bruksanvisning.

Besök vår webbplats **www.blackanddecker.co.uk** för att registrera din nya Black & Decker-produkt samt för att få information om nya produkter och specialerbjudanden.

## Tiltenkt bruk

Din BLACK+DECKER BCD003 - boremaskin er designet for skrutrekking og for boring i tre, metall og plast. Sette verktøyet er kun ment for privat bruk.

## Sikkerhetsinstruksjoner

### Generelle sikkerhetsadvarsler for elektroverktøy



**Advarsel!** Les alle sikkerhetsanvisninger, instruksjoner, illustrasjoner og spesifikasjoner som følger dette elektriske verktøyet. Manglende overholdelse av instruksjonene som er listet opp under kan resultere i elektroshjokk, ild og/eller alvorlig skade.

**Ta vare på alle advarsler og instruksjoner for fremtidig bruk.** Begrepet «elektroverktøy» i advarslene nedenfor gjelder nettdrevet elektroverktøy (med ledning) eller batteridrevet elektroverktøy (uten ledning).

#### 1. Sikkerhet i arbeidsområdet

- Hold arbeidsområdet rent og godt opplyst.** Rotete eller mørke områder er en invitasjon til ulykker.
- Ikke bruk verktøy i eksplosive omgivelser, slik som i nærheten av antennelige væsker, gasser eller støv.** Elektrisk verktøy skaper gnister som kan antenne støv eller gasser.
- Hold barn og andre personer unna når du bruker et elektroverktøy.** Hvis du blir forstyrret under arbeidet, kan du miste kontrollen.

#### 2. Elektrisk sikkerhet

- Støpselet til elektroverktøy må passe i stikkontakten. Aldri modifier støpselet på noen måte. Ikke bruk adapterstøpsler til jordede elektriske verktøy.** Umodifiserte støpsler og stikkontakter som passer vil redusere risikoen for elektrisk sjokk.
- Unngå kroppskontakt med jordede overflater som rør, radiatorer, komfyrer og kjøleskap.** Det er økt fare for elektrisk støt dersom kroppen din er jordet.
- Hold elektroverktøy unna regn eller fuktighet.** Dersom det kommer vann i et elektroverktøy, øker faren for elektrisk støt.
- Unngå uforvarlig behandling av ledningen. Aldri bruk ledningen til å bære, trekke eller dra ut støpselet til det elektriske verktøyet. Hold ledningen borte fra varme, olje, skarpe kanter eller bevegelige deler.** Skadede eller innviklede ledninger øker risikoen for elektrisk sjokk.
- Når du bruker et elektroverktøy utendørs, må du bruke en skjøteledning som er egnet for utendørs bruk.** Når du bruker en skjøteledning som er egnet for utendørs bruk, reduseres risikoen for elektrisk støt.

- Dersom bruk av et elektrisk verktøy på et fuktig sted er uunngåelig, bruk en strømkilde med jordfeilbryter (RCD).** Bruk av jordfeilbryter (RCD) reduserer risikoen for elektrisk støt.

#### 3. Personlig sikkerhet

- Vær oppmerksom, pass på hva du gjør, og vis fornuft når du arbeider med et elektroverktøy. Ikke bruk et elektrisk verktøy dersom du er trøtt eller er påvirket av medikamenter, narkotika eller alkohol.** Ett øyeblikks uoppmerksomhet under bruk av elektriske verktøy kan føre til alvorlig personskade.
- Bruk personlig verneutstyr. Bruk alltid vernebriller.** Verneutstyr slik som støvmaske, skliskre vernesko, hjelm, eller hørselsvern brukt under passende forhold vil redusere personskader.
- Unngå utilsiktet oppstart. Kontroller at bryteren står i posisjon «av» før du kobler til strømkilden og/eller batteripakken, og før du tar opp eller bærer verktøyet.** Å bære elektriske verktøy med fingeren på bryteren eller å sette inn støpselet mens elektriske verktøy har bryteren på øker faren for ulykker.
- Fjern eventuelle justeringsnøkler før du slår på det elektriske verktøyet.** En nøkkel som er festet til en roterende del av det elektriske verktøyet kan føre til personskade.
- Ikke strekk deg for langt. Ha godt fotfeste og stå støtt hele tiden.** Dette fører til at du har bedre kontroll over det elektriske verktøyet ved uventede situasjoner.
- Bruk egnet antrekk. Ikke ha på deg løstsittende klær eller smykker. Hold hår, antrekk og hansker borte fra bevegelige deler.** Løstsittende klær, smykker og langt hår kan bli fanget opp av bevegelige deler.
- Hvis det kan monteres støvavsug- og oppsamlingsinnretninger, må du forvise deg om at disse er tilkoblet og brukes på riktig måte.** Bruk av støvoppsamlere kan redusere støvrelaterte farer.
- Ikke la erfaring med hyppig bruk av verktøy la deg bli likegyldig og ignorere verktøyets sikkerhetsregler.** En uforsiktig handling kan føre til alvorlig personskade på brøkdelen av et sekund.

#### 4. Bruk og vedlikehold av elektriske verktøy

- Ikke bruk makt på elektroverktøyet. Bruk det elektriske verktøyet som situasjonen krever.** Det riktige elektriske verktøyet vil gjøre jobben bedre og tryggere ved den hastigheten det ble konstruert for.
- Ikke bruk elektroverktøyet hvis du ikke kan slå det på og av med bryteren.** Ethvert elektrisk verktøy som ikke kan kontrolleres med bryteren er farlig og må repareres.



- c. **Trekk støpselet ut av stikkkontakten og/eller koble fra batteripakken, hvis den er avtakbar, fra elektroverktøyet før du foretar noen justeringer, endrer tilbehør eller lagrer elektroverktøy.** Slike preventive sikkerhetsforanstaltninger reduserer risikoen for å starte det elektriske verktøyet ved et uhell.
- d. **Elektroverktøy som ikke er i bruk, må oppbevares utilgjengelig for barn. Ikke la verktøyet bli brukt av personer som ikke er fortrolig med det, eller som ikke har lest denne bruksanvisningen.** Elektriske verktøy er farlige i hendene på utrenede brukere.
- e. **Sørg for vedlikehold av elektroverktøy og tilbehør. Undersøk om bevegelige deler er feiljustert eller blokkert, om deler er skadet, og om det er andre forhold som kan påvirke elektroverktøyets funksjon. Dersom det er skadet, få verktøyet reparert før neste bruk.** Mange ulykker forårsakes av dårlig vedlikeholdte verktøy.
- f. **Hold skjæreverktøy skarpe og rene.** Godt vedlikeholdte skjæreverktøy med skarpe skjærekanten setter seg mindre sannsynlig fast og er lettere å kontrollere.
- g. **Bruk elektroverktøy, tilbehør, bits osv. i henhold til disse instruksjonene. Ta hensyn til arbeidsforholdene og arbeidet som skal utføres.** Bruk av det elektriske verktøyet for oppgaver som er forskjellige fra de som er tiltenkt kan føre til en farlig situasjon.
- h. **Hold håndtakene og gripeflatene tørre, rene og frie for olje og fett.** Glatte håndtak og gripeflater forhindrer trygg håndtering og kontroll av verktøyet i uventede situasjoner.
- 5. Bruk og stell av batteriverktøy (kun for batteriverktøy)**
- a. **Skal kun lades opp ved hjelp av batteriladeren spesifisert av produsenten.** En lader som passer for en type batteripakke kan føre til risiko for brann dersom den brukes på en annen batteripakke.
- b. **Bruk elektroverktøy bare med spesifikt angitte batteripakker.** Bruk av andre batteripakker kan føre til risiko for personskade og brann.
- c. **Når batteripakken ikke er i bruk, må du oppbevare den atskilt fra andre metallgjenstander som binders, mynter, nøkler, spiker, skruer eller andre små metallgjenstander som kan opprette en forbindelse fra en terminal til en annen.** Kortslutning av batteripolene mot hverandre kan føre til brannskader eller brann.
- d. **Ved feilaktig bruk kan det komme væske ut av batteriet, unngå kontakt med den. Dersom du kommer i kontakt med den, skyll av med vann. Dersom du får væsken i øynene, søk legehjelp.** Væske som kommer ut av batteriet kan føre til irritasjon eller brannskader.
- e. **Batteripakke eller verktøy som er skadet eller modifisert skal ikke brukes.** Batterier som er skadet eller modifisert kan ha uventet oppførsel og føre til brann, eksplosjon eller personskader.
- f. **Batteripakken skal ikke utsettes for brann eller høy temperatur.** Eksponering for brann eller temperaturer over 130 °C kan føre til eksplosjon. MERK: Temperaturen "130 °C" kan erstattes av temperaturen "265 °F".
- g. **Følg alle ladeinstrukser og ikke lade batteripakken eller verktøyet utenfor temperaturområdet som angitt i bruksanvisningen.** Feil lading eller ved temperaturer utenfor det angitt området kan skade batteriet og øke faren for brann.
- 6. Service**
- a. **Elektroverktøy skal alltid repareres av kvalifisert personell og bare med originale reservedeler.** Dette vil sikre at verktøyets sikkerhet blir ivarettatt.
- b. **Skadede batteripakker skal aldri repareres.** Service på batteripakker skal kun utføres av produsenten eller autoriserte serviceverksteder (kun for batteriverktøy).
- Sikkerhetsinstruksjoner for all bruk**
- Bruk hørselsvern ved slagboring. Å bli utsatt for støy kan forårsake hørselstap.
  - Hold elektroverktøyet i de isolerte grepene når du utfører et arbeid hvor skjæretilbehøret/festeanordningen kan komme i kontakt med skjulte ledninger. Hvis skjæretilbehøret/festeanordningen kommer i kontakt med en strømførende ledning, kan frittliggende metalldeleer på verktøyet bli strømførende, og brukeren kan få elektrisk støt.
- Sikkerhetsinstruksjoner ved bruk av lange bor**
- Bruk aldri ved høyere hastigheter enn maks hastighet for boret. Ved høyere hastigheter er det en sjanse for at boret bøyer seg hvis den roterer fritt uten kontakt med arbeidsstykket.
  - Start alltid å bore ved lav hastighet, og med enden av boret i kontakt med arbeidsstykket. Ved høyere hastigheter er det en sjanse for at boret bøyer seg hvis den roterer fritt uten kontakt med arbeidsstykket.
  - Påfør kun trykk i en rett linje med boret, og trykk ikke for hardt. Boret kan bli bøyd eller ødelagt, eller det kan føre til tap av kontroll eller personskade.
- Ekstra sikkerhetsregler spesielt for boremaskin/trekker/slagboremaskin**
- Bruk klemmer eller en annen praktisk måte å feste og støtte arbeidsstykket på en stabil platform. Å holde arbeidsstykket i hendene eller mot kroppen er ustabil og kan føre til at du mister kontroll.

- Tilbehør og verktøy kan bli varme under bruk. Bruk hansker ved håndtering dersom det utføres arbeid som generere varme, som boring i metall.
- Luftehull dekker ofte bevegelige deler og skal unngås. Løststittende klær, smykker og langt hår kan bli fanget opp av bevegelige deler.
- Bruk vernebriller eller annen øyebeskyttelse. Hammer- og boreoperasjoner gjør at fliser flyr gjennom luften. Flyvende partikler kan forårsake permanent øyeskade.
- Bruk hørselsvern ved slagboring. Å bli utsatt for støy kan forårsake hørselstap.
- Bruk hjelpehåndtakene dersom de leveres med verktøyet. Å miste kontroll kan forårsake personskade.
- Bruk ikke dette verktøyet i lange perioder. Vibrasjon forårsaket av verktøyet kan skade hendene og armene. Bruk hansker for å gi ekstra polstring og begrense risikoen ved å hvile ofte.

### Andre personers sikkerhet

- Dette apparatet kan brukes av barn som er 8 år eller eldre samt av personer som har reduserte fysiske, sansesmessige eller mentale evner, eller som mangler erfaring og kunnskap, hvis de har tilsyn eller har fått veiledning i bruk av apparatet på en trygg måte og forstår farene som foreligger.
- Barn skal ikke leke med apparatet. Rengjøring og brukervedlikehold skal ikke utføres av barn uten tilsyn.

### Restrisikoer

Restrisikoer kan oppstå når du bruker verktøyet, som ikke er inkludert i sikkerhetsadvarslene. Disse farene kan oppstå fra misbruk, langtidsbruk etc.

Selv ved overholdelse av de relevante sikkerhetsregler og implementering av sikkerhetsutstyr, kan visse restrisikoer ikke unngås. Disse inkluderer:

- ◆ Personskader forårsaket av roterende/bevegelige deler.
- ◆ Personskader som oppstår under skifte av deler, blader eller tilbehør.
- ◆ Personskader forårsaket av langtidsbruk av verktøyet. Når du bruker verktøyet over lang tid, må du forsikre at tar regelmessige pauser.
- ◆ Hørselskader.
- ◆ Helsefarer forårsaket av innpusting av støv som utvikler seg når du bruker verktøyet (for eksempel når du jobber med tre, spesielt eik, bøk og MDF.)

### Vibrasjon

De deklarerte vibrasjonsutslippsverdiene som er oppgitt i teknisk data og samsvarserklæringen har blitt målt i samsvar med en standard testmetode gitt av EN 62841 og kan brukes til å sammenligne et verktøy med et annet.

De erklærte vibrasjonsutslippsverdiene kan også brukes i foreløpig vurdering av eksponering.



**Advarsel!** Vibrasjonverdier under faktisk bruk av elektroverktøyet kan være ulikt fra de erklærte verdiene, avhengig av måten verktøyet blir brukt på. Vibrasjonsnivået kan øke over det angitte nivået.

Ved vurdering av vibrasjonseksponering for å fastsette sikkerhetstiltak i henhold til 2002/44/EU for beskyttelse av personer som regelmessig bruker elektroverktøy, skal estimatet av vibrasjonseksponeringen ta hensyn til de virkelige bruksforholdene og bruksmåten for verktøyet, inkludert å ta hensyn til alle deler av brukssyklusen så som tidsperioder der verktøyet er avslått og tomgangstider, i tillegg til virkelig aktiv bruk.

### Merker på verktøyet

De følgende symbolene vises på verktøyet sammen med datokoden:



**Advarsel!** For å redusere risikoen for personskader, må brukeren lese bruksanvisningen.



Bruk hørselsvern når du bruker slagboremaskiner. Eksponering for støy kan føre til hørselstap.



Ikke se direkte på lampen når den er på

### Ytterligere sikkerhetsinstruksjoner for batterier og ladere

#### Batterier

- Forsøk aldri å åpne av noen årsak.
- Ikke utsett batteriet for vann.
- Ikke utsett batteriet for varme.
- Ikke oppbevar det på steder hvor temperaturen kan komme over 40 °C.
- Skal bare lades ved omgivelsestemperaturer mellom 10 °C og 40 °C.
- Bruk bare ladere av typen som følger med apparatet/verktøyet.
- Følg instruksene som finnes i avsnittet "Miljø" når du skal kaste batterier.
- Ikke skad eller deformer batteripakken ved punktering eller støt, da dette kan føre til risiko for personskade og brann.
- Ikke lad skadede batterier.
- Under ekstreme forhold kan batterilekkasje forekomme. Hvis du oppdager væske på batteriene, må du tørke den forsiktig av med en klut. Unngå kontakt med huden.
- Hvis væsken kommer i kontakt med huden eller øynene, følger du instruksjonene nedenfor.



**Advarsel!** Batterivæsken kan føre til personskade eller skade på eiendom. Ved hudkontakt skylles du umiddelbart med vann. Hvis huden blir rød eller irritert eller smerter inntreffer, søk øyeblikkelig medisinsk hjelp. Hvis væsken kommer i kontakt med øynene, skylles du umiddelbart med rent vann og søker øyeblikkelig medisinsk hjelp.

### Ladere

Laderen er konstruert for en bestemt spenning. Kontroller alltid at nettspenningen er i overensstemmelse med spenningen på typeskiltet.



**Advarsel!** Ikke skift ut laderen med et vanlig netstøpsel.

- Laderen skal bare brukes til å lade batteriet i apparatet som laderen kom sammen med. Andre batterier kan sprekke og føre til personskade og materiell skade.
- Prøv aldri å lade ikke-oppladbare batterier.
- Hvis strømledningen blir skadet, må den skiftes av produsenten eller et autorisert servicesenter for å unngå fare.
- Skift ut defekte ledninger umiddelbart.
- Ikke utsett laderen for vann.
- Ikke åpne laderen.
- Ikke stikk gjenstander eller fingre inn i laderen.
- Apparatet/verktøyet/batteriet må plasseres på et sted med god lufting når det lades.



Laderen er kun ment for privat bruk.

### Elektrisk sikkerhet



Dette verktøyet er dobbelisolert, og derfor trengs ikke jording. Du skal alltid sjekke at strømforsyningen samsvarer med spenningen på typeskiltet. Forsøk aldri i bytte ut laderenheten med en vanlig strømadapter.

- Hvis strømledningen er skadet, må den byttes av produsenten eller et autorisert BLACK+DECKER servicesenter for å unngå fare.

### Egenskaper

Dette verktøyet har noen eller alle av disse egenskapene.

1. Bryter variabel hastighet
2. Skyvebryter forover/bakover
3. Momentjusteringskrage
4. Nøkkelløs chuck
5. To-område gir
6. LED arbeidslampe
7. Batteri
8. Utløserknapp for batteri

## Montering

### Bruk

**Advarsel!** La verktøyet jobbe i eget tempo. Ikke overbelast.

### Lade batteriet (figur A1, A2)

Batteriet må lades før første gangs bruk og hver gang det ikke lenger gir tilstrekkelig effekt ved jobber som gikk lett før. Batteriet kan bli varmt ved lading, dette er normalt og tyder ikke på noen feil.

**Advarsel!** Ikke lade batteriet ved temperaturer under 10 °C eller over 40 °C. Anbefalt ladetemperatur: omtrent 24 °C.

**Merk: Laderen vil ikke lade batteriet dersom temperaturen er under omtrent 10 °C eller over 40 °C.**

**Batteriet bør bli stående i laderen og laderen vil starte automatisk lading når celleteperaturen stiger eller synker igjen.**

- ◆ Plugg laderen (9) inn i en standard stikkontakt 230 volt 50 Hz.
- ◆ Skyv batteriet (7) inn i laderen som vist i figur A1,A2. LED-lyset (9a) vil blinke for å indikere at batteriet lades.

Fullført lading vises ved at LED-lyset (9a) er på konstant. Pakken er da fullt oppladet og kan brukes, eller den kan bli stående i laderen.

**Advarsel!** Fare for brann. Når du tar batteriet ut av laderen, pass på å trekke støpselet ut av stikkkontakten først, deretter kan du ta batteriet ut av laderen.

### Laderdiagnose

Denne laderen er designet for å registrere visse problemer som kan oppstå ved laderen eller strømkilden. Problemer vises ved at en LED blinker i ulike mønstre.

### Dårlig batteri

Laderen kan registrere et svakt eller skadet batteri. LED blinker i mønstre som angitt på etiketten. Dersom du ser blinkemønsteret for dårlig batteri, ikke fortsett lading av batteriet. Sen det til et servicesenter eller deponer det på en gjenbruksstasjon.

### Varm/kald pakkeforsinkelse

Når laderen oppdager en batteripakke som er alt for varm eller kald, vil den straks starte en varm/kald pakkeforsinkelse og opphøre å lade til batteripakken har nådd passende temperatur. Etter det vil laderen automatisk skifte til lademodus for pakken. Denne egenskapen sikrer maksimal levetid av batteripakken. Lyset blinker i mønstre som angitt på etiketten.

### La batteriet stå i laderen

Laderen og batteripakken kan forbli tilkoblet

og LED-lyset vil lyse permanent. Laderen vil holde batteripakken frisk og fullt oppladet. Denne laderen har en automatisk tuning-modus som utjevner eller balanserer de separate cellene i batteripakken for å gi topp kapasitet. Batteripakker bør tunes hver uke eller når batteriet ikke lenger gir samme effekt for arbeidet. For å bruke modusen med automatisk tuning, sett batteripakken og la den stå der i minst 8 timer.

### Viktige merknader om lading

- ◆ Lengst levetid og best ytelse kan oppnås når batteriet lades ved lufttemperaturer mellom 18 ° – 24 °C. IKKE lade batteripakken ved temperatur under +4,5 °C eller over +40 °C. Dette er viktig og vil forhindre alvorlige skader på batteripakken.
- ◆ Laderen og batteripakken kan bli varme ved lading. Dette er normalt og tyder ikke på noe problem. For bedre kjøling av batteripakken etter bruk, unngå å sette laderen eller batteripakken i et varmt miljø som i et metall-skur eller uisolert container.
- ◆ Dersom batteripakken ikke lades ordentlig:
  - ◆ Sjekk funksjonen av stikkontakten ved å plugge inn en lampe eller annet utstyr;
  - ◆ Sjekk om stikkontakten er koblet til en lys-bryter som slår strømmen av når du slår av lysene;
  - ◆ Flytt laderen og batteripakken til et sted der omgivelseslufttemperaturen er omtrent 18 ° – 24 °C;
  - ◆ Dersom ladeproblemet vedvarer, ta med verktøy, batteri-pakken og laderen til ditt lokale servicesenter.
- ◆ Batteripakken skal lades når den ikke lenger gir tilstrekkelig effekt til jobber som tidligere var lett å gjøre. IKKE FORTSETT bruken under disse forholdene. Følg ladeprosedyren. Du kan også lade en delvis oppladet pakke når som helst du ønsker det, med ingen negativ effekt på batteripakken.
- ◆ Fremmedlegemer som leder strøm, så som - men ikke begrenset til - slipestøv, metallspån, stålull, aluminiumsfolie eller annen oppbygging av metalliske partikler skal holdes unna åpningene i laderen. Plugg ut laderen før du rengjør.
- ◆ Ikke utsett laderen for frost, og aldri senk den ned i vann eller noen annen væske.

### Sette inn og ta ut batteripakken på verktøyet (figur B)

**Advarsel!** Pass på at låseknappen (2) er satt på for å forhindre start før du setter inn eller tar ut batteriet.

For å sette inn batteripakken:

- ◆ Sett batteripakken (7) inn i verktøyet til du hører et klikke (figur B)

### Ta ut batteripakken av verktøyet (figur C)

- ◆ Trykk inn utløserknapp for batteriet (8) som vist i (figur C) og trekk batteripakken ut av verktøyet.

### Bruksanvisning

#### Avtrekkerbryter og reversbryter (figur D)

- ◆ Boremaskinen slås PÅ og Av ved å trekke i og slippe avtrekkerbryteren (1). Desto mer du trykker avtrekkeren, desto større hastighet på drillen.
- ◆ Bryteren for forover/bakover og hastighet (2) avgjør retningen av verktøyet og fungerer også som hastighetskontroll.
- ◆ For å velge forover, slipp avtrekkeren og trykk fremover/revers-kontrollen til venstre.
- ◆ For å velge revers, trykk fremover/revers-kontrollen i motsatt retning.

**Merk:** Midtposisjonen av kontrollbryteren låser verktøyet i av-posisjon.

Ved endring av posisjon av kontrollbryteren, pass på at du har sluppet avtrekkeren.

#### Momentkontroll (figur E)

Dette verktøyet er utstyrt med en momentjusteringskrage (3) for valg av driftsmodus og innstilling av moment ved trekking av skruer. Store skruer og arbeidsstykker av harde materialer krever høyere moment enn små skruer og arbeidsstykker av mykt materiale.

- ◆ For boring i tre, metall og plast, sett kragen til symbolet for boring.
- ◆ For skrutrekking, sett kragen til ønsket innstilling. Dersom du ikke ved hva som passer, gå frem som følger:
- ◆ Sett kragen til laveste momentinnstilling.
- ◆ Trekk til første skrue.
- ◆ Dersom clutchen slurer før ønsket resultat er oppnådd, øk innstillingen på kragen og fortsett tiltrekking av skruen. Gjenta helt til du har korrekt innstilling. Bruk denne innstilling for de neste skruene.

#### Nøkkelløs chuck (figur F)

**Advarsel!** Pass på at låseknappen (2) er satt på for å forhindre start før du setter inn eller tar ut tilbehør.

For å sette inn en drill-bit eller annet tilbehør:

- ◆ Grip bakre del av chucken (4) med en hånd og bruk den andre hånden til å rotere fremre del mot klokken, som sett fra chuck-enden.
- ◆ Sett inn bit eller annet tilbehør i chuck, og trekk godt til ved å holde bakre del av chucken og dreie fremre del med klokken som sett fra chuck-enden.

**Advarsel!** Ikke forsøk å strøme drill-bit (eller annet tilbehør) ved å holde i fremre del av chucken og deretter slå på verktøyet. Det kan oppstå personskader og skader på chucken når du skifter tilbehør.

## To-område gir (figur G)

To-område funksjonen på boremaskinen lar deg skifte gir for større anvendelighet. For å velge lav hastighet, høyt moment (posisjon 1), slå av verktøyet og la det stoppe helt. Skyv girvelgerbryteren (5) bort fra chucken. For å velge høy hastighet, lavt moment (posisjon 2), slå av verktøyet og la det stoppe helt.

Skyv girvelgerbryteren mot chucken.

Merk: Ikke skift gir når verktøyet går. Dersom du har problemer med å skifte gir, pass på at to-område girbryteren er skjøvet enten helt forover eller helt bakover.

## Boring/skruing

- ◆ Velg rotasjon fremover eller bakover ved å trykke fremover/revers skyvebryteren (2).
- ◆ For å skru verktøyet på trykk inn bryteren (1). Verktøyets hastighet avhenger av hvor langt du trykker bryteren.
- ◆ For å skru verktøyet av, slipp bryteren.

## Tips for optimal bruk

### Boring

- ◆ Du skal kun bruke skarpe drill-bits.
- ◆ Støtt opp og fest arbeidsstykket ordentlig, som angitt i sikkerhetsanvisningene.
- ◆ Bruk passende og påkrevet verneutstyr, som angitt i sikkerhetsanvisningene.
- ◆ Sikre og hold arbeidsområdet ryddig, som angitt i sikkerhetsanvisningene.
- ◆ Kjør boremaskinen svært langsomt helt til hullet er dypt nok til at drill-biten holdes på plass av seg selv.
- ◆ Legg på trykk i rett linje med bit-en. Bruk nok trykk for at drill-biten biter, men ikke så mye at motoren kjører seg fast eller bit-en sklir.
- ◆ Hold boremaskinen godt med to hender for å kontrollere rotasjonsreaksjonen.
- ◆ IKKE KLIKK PÅ OG AV MED AVTREKKEREN PÅ EN FASTKJØRT DRILL FOR Å FORSØKE Å STARTE DEN. DET KAN FØRE TIL SKADER PÅ DRILLEN.
- ◆ Minimer fastkjøring ved gjennombrudd ved å redusere trykket og bore sakte gjennom siste del av hullet.
- ◆ Hold motoren i gang når du trekker bit-en ut av et hull. Dette vil forhindre fastkjøring.
- ◆ Pass på at bryteren slår maskinen av og på.

### Boring i tre

Hull i tre bores med samme spiral-bits som brukes for metall, eller med spade-bits. Slike bits skal være skarpe og bør trekkes ut regelmessig under boring for å fjerne spon fra sporene.

### Boring i metall

Bruk en skjærevæske ved boring i metall. Unntakene er støpejern og messing, som bør bores tørt. De beste skjærevæskene er svovelholdig olje eller fettolje.

### Boring i murverk

For boring i murverk, sett kragen (3) til slag-boringsposisjon ved å rette inn symbolet med merket. Skyv hastighetsvelgeren (5) mot fronten av verktøyet (2. gir).

### Skruing

- ◆ Bruk alltid korrekt type og størrelse av skrutrekker-bit.
- ◆ Dersom skruene er vanskelig å trekke til, forsøk å påføre en liten mengde vaskemiddel eller såpe som smøring.
- ◆ Du skal alltid holde verktøyet og skrutrekkerbiten på rett linje med skruen

### Feilsøking

Problem	Mulig årsak	Mulig løsning
Enheten starter ikke.	Batteripakke ikke ladet.	Sjekk ladekravene for batteripakken
Batteripakke vil ikke lades.	Lader ikke pluggert inn. Omgivelsesluften er for varm eller kald.	Plugg inn laderen i en fungerende stikkontakt. Flytt lader og batteripakke til et sted der lufttemperaturen er over 40 grader F (4,5°C) eller under 105 grader F (+40,5°C)
Enheten slår seg av plutselig.	Batteripakken har nådd maksimal temperaturgrense. Ikke ladet. (For maksimal levetid av batteripakken er den designet for å slå seg av plutselig ved lav lading)	La batteripakken kjøle seg ned. Sett på lader og lad opp.

### Vedlikehold

Ditt BLACK+DECKER-verktøy er designet for å brukes i en lang tidsperiode med et minimum av vedlikehold. Fortsatt tilfredsstillende ytelse avhenger av skikkelig ivaretagelse av verktøyet og regelmessig rengjøring. Laderen trenger ikke vedlikehold bortsett fra regelmessig rengjøring.

**Advarsel!** Før du foretar vedlikehold på verktøyet, ta batteriet ut av verktøyet. Plugg ut laderen før du rengjør den.

- ◆ Rengjør ventilasjonshullene på verktøyet og laderen regelmessig ved bruk av en myk børste eller tørr klut.
- ◆ Rengjør motorhuset regelmessig ved bruk av en fuktig klut. Ikke bruk skure eller løsemiddelbaserte vaskemidler.
- ◆ Åpne chucken regelmessig og dunkle lett på den for å fjerne alt støv fra innsiden.

## Miljøvern



Separat avfallshåndtering. Produkter og batterier merket med dette symbolet skal ikke kastes i vanlig husholdningsavfall.

Produkter og batterier inneholder materialer som kan gjenbrukes eller gjenvinnes for å redusere behovet for nye råmaterialer. Vennligst lever elektrisk utstyr og batterier til gjenbruk i henhold til lokale retningslinjer. Mer informasjon finner du på [www.2helpU.com](http://www.2helpU.com)

## Teknisk data

		BCD003
Spenning	$V_{DC}$	18
Ubelastet hastighet	Min <sup>-1</sup>	0 - 360/0 - 1400
Maks. moment	Nm	45
Chuck-kapasitet	mm	1-10
Maks. borekapasitet		
Stål/tre/murverk	mm	10/25/10
Vekt	kg	0,9

Lader		905902**	906349**
Inngangsspenning	$V_{AC}$	230	230
Utgangsspenning	$V_{DC}$	18	18
Strøm	mA	400	1A
Omtrentlig ladetid	Timer	3 - 11	1,5 - 4

Batteri		BL1518
Spenning	$V_{DC}$	18
Kapasitet	Ah	1,5
Type		Li-ion

## Lydtrykksnivå i henhold til EN 62841:

Lydtrykk ( $L_{pa}$ ) 86,0 dB(A), usikkerhet (K) 5 dB(A)

Lydeffekt ( $L_{wa}$ ) 97,0 dB(A), usikkerhet (K) 5 dB(A)

## Vibrasjon totalverdier (triaks vektorsum) i henhold til EN 62841:

Boring i betong ( $a_{n,ib}$ ) 6,8 m/s<sup>2</sup>, usikkerhet (K) 1,5 m/s<sup>2</sup>

Boring i metall ( $a_{n,ib}$ ) 1,8 m/s<sup>2</sup>, usikkerhet (K) 1,5 m/s<sup>2</sup>

## EU-samsvarserklæring

MASKINDIREKTIV



BCD003 - Slagboremaskin

Black & Decker erklærer at disse produktene beskrevet under "teknisk data" er i samsvar med: 2006/42/EC, EN62841-1:2015, EN62841-2-1:2018+A11:2019.

Disse produktene samsvarer også med direktiv 2014/30/EU og 2011/65/EU. For mer informasjon, kontakt Black & Decker på følgende adresse eller se bakerst i bruksanvisningen.

Undertegnede er ansvarlig for opprettelse av teknisk dokumentasjon og avgir denne erklæringen på vegne av Black & Decker.

*Patrick Diepenbach*

Patrick Diepenbach  
General Manager, Benelux  
Black and Decker,  
Egide Walschaertsstraat 14-18  
2800 Mechelen, Belgia  
10/09/2021

## Garanti

Black & Decker er trygg på kvaliteten av produktene sine og tilbyr en 24 måneders garanti fra kjøpsdato. Denne garantierklæringen kommer i tillegg til dine lovbestemte rettigheter og er ikke i konflikt med disse. Garantien er gyldig innen områdene tilhørende medlemslandene i den Europeiske Union (EU) og det Europeiske Frihandelsområdet (EFTA).

For å ta garantien i bruk må kravet være i samsvar med kjøpsbetingelsene fra Black & Decker og du må vise kjøpskvittering til forhandleren eller til et autorisert serviceverksted.

Betingelsene for Black & Deckers 2 års garanti og adressen til din nærmeste autoriserte serviceverksted kan du finne på internett under [www.2helpU.com](http://www.2helpU.com), eller ved å kontakte ditt lokale Black & Decker-kontor på adressen angitt i denne bruksanvisningen.

Besøk våre nettsider på [www.blackanddecker.co.uk](http://www.blackanddecker.co.uk) for å registrere ditt nye Black & Decker-produkt og for å få informasjon om nye produkter og spesialtilbud.

## Tilsigtede brug

Din BLACK+DECKER BCD003 - slagboremaskine er blevet udformet til skruningsopgaver og til boring i træ, metal og murværk. Dette værktøj er kun beregnet til forbrugeranvendelse.

## Sikkerhedsinstruktioner

### Generelle sikkerhedsadvarsler vedrørende elværktøj



**Advarsel! Læs alle sikkerhedsadvarsler, instruktioner, illustrationer og specifikationer, der følger med dette elværktøj. Manglende overholdelse af alle nedenstående instruktioner kan medføre elektrisk stød, brand og/eller alvorlige kvæstelser.**

**Gem alle advarsler og instruktioner til fremtidig reference.** Begrebet "elværktøj", der benyttes i nedenstående advarsler, henviser til netdrevne (med netledning) eller batteridrevne maskiner (uden netledning).

#### 1. Sikkerhed i arbejdsområdet

- a. **Sørg for, at arbejdsområdet er rent og godt oplyst.** Rodede eller mørke områder giver anledning til ulykker.
- b. **Brug ikke elværktøj i eksplosive omgivelser, f.eks. hvor der er brændbare væsker, gasser eller støv.** Elværktøj danner gnister, der kan antænde støv eller dampe.
- c. **Hold børn og andre personer på afstand, når et elværktøj er i brug.** Distractioner kan medføre, at du mister kontrollen.

#### 2. Elektricitet og sikkerhed

- a. **Elværktøjsstik skal passe til stikkontakten. Stikket må aldrig modificeres på nogen måde. Undlad at bruge adapterstik sammen med (jordforbundet) elektrisk værktøj.** Umodificerede stik og dertil passende stikkontakter reducerer risikoen for elektrisk stød.
- b. **Undgå kropskontakt med jordforbundne overflader som f.eks. rør, radiatorer, komfurer og køleskabe.** Der er øget risiko for elektrisk stød, hvis din krop er jordforbundet.
- c. **Elværktøj må ikke udsættes for regn eller fugt.** Hvis der trænger vand ind i et elektrisk værktøj, øges risikoen for elektrisk stød.
- d. **Ødelæg ikke ledningen. Brug aldrig ledningen til at bære, trække værktøjet eller trække det ud af stikkontakten. Hold ledningen borte fra varme, olie, skarpe kanter og bevægelige dele.** Beskadigede eller sammenfiltrede ledninger øger risikoen for elektrisk stød.

- e. **Hvis elværktøj benyttes i det fri, skal der benyttes en forlængerledning, som er godkendt til udendørs brug.** Brug af en ledning, der er egnet til udendørs brug, reducerer risikoen for elektrisk stød.
- f. **Brug en strømkilde med fejlstrømsbeskyttelse, hvis det er uundgåeligt at anvende elværktøj på fugtige steder.** Ved at benytte en fejlstrømsafbryder reduceres risikoen for elektrisk stød.

#### 3. Personsikkerhed

- a. **Vær opmærksom, hold øje med, hvad du laver, og brug elværktøjet fornuftigt. Betjen ikke værktøjet, hvis du er træt, påvirket af narkotika, alkohol eller medicin.** Et øjeblik uopmærksomhed under anvendelse af et elektrisk værktøj kan forårsage alvorlige kvæstelser.
  - b. **Anvend personligt beskyttelsesudstyr. Bær altid beskyttelsesbriller.** Det er muligt at reducere risikoen for kvæstelser ved alt efter omstændighederne at anvende det passende sikkerhedsudstyr såsom støvmaske, skridsikre sikkerhedssko, sikkerhedshjelm eller høreværn.
  - c. **Sørg for, at værktøjet ikke kan starte utilsigtet. Kontrollér, at afbryderkontakten står på slukket, inden værktøjet tilsluttes strømkilden og/eller batteriet, samles op eller bæres.** Når elektrisk værktøj bæres med fingeren på kontakten eller tilsluttes, når kontakten er tændt, giver det anledning til ulykker.
  - d. **Fjern indstillingsværktøj eller skruenøgle, inden elværktøjet tændes.** En skruenøgle eller anden nøgle, der bliver siddende på en roterende del af elektrisk værktøj, kan give anledning til personskade.
  - e. **Undlad at række for langt. Hold hele tiden en god fodstilling og balance.** Dette udgør at du har bedre kontrol over det elektriske værktøj, når uventede situationer opstår.
  - f. **Bær hensigtsmæssig påklædning. Bær ikke løst tøj eller smykker. Hold dit hår, tøj og handsker væk fra bevægelige dele.** Løstsiddende tøj, smykker eller langt hår kan blive fanget i bevægelige dele.
  - g. **Hvis støvudsugnings- og opsamlingsudstyr kan monteres, er det vigtigt, at dette tilsluttes og benyttes korrekt.** Anvendelse af støvopsamlingsudstyr kan begrænse farer forårsaget af støv.
  - h. **Lad ikke kendskab fra hyppig brug af værktøjer gøre dig uforsigtig og få dig til at ignorere principperne for værktøjsikkerhed.** En uforsigtig handling kan forårsage alvorlig personskade på en brøkdæl af et sekund.
- #### 4. Brug og vedligeholdelse af elværktøj
- a. **Undgå at overbelaste elværktøjet. Brug det elværktøj, der er bedst egnet til det arbejde, der skal udføres.** Det korrekte elværktøj klarer opgaven bedre og mere sikkert med den effekt, som det er konstrueret til.

- b. **Brug ikke elværktøjet, hvis afbryderen er defekt.** Alt elektrisk værktøj, der ikke kan kontrolleres med kontakten, er farligt og skal repareres.
- c. **Træk stikket ud af stikkontakten og/eller fjern batterienheden fra det elektriske værktøj, hvis det kan udtages, før det elektriske værktøj justeres, dets tilbehør udskiftes, eller det stilles til opbevaring.** Sådanne forebyggende sikkerhedsforanstaltninger mindsker risikoen for, at værktøjet startes utilsigtet.
- d. **Opbevar ubenyttet elværktøj uden for børns rækkevidde.** Elværktøjet må ikke bruges af personer, der ikke er fortrolige med det, eller som ikke har gennemlæst disse instruktioner. El-værktøj er farligt i hænderne på personer, som ikke er instrueret i brugen deraf.
- e. **Elværktøj og tilbehør skal vedligeholdes. Kontroller, om bevægelige dele er skæve og ikke sidder fast, og om delene er brækket eller beskadiget, så elværktøjets funktion påvirkes.** Hvis det elektriske værktøj er beskadiget, skal det repareres før brug. Mange ulykker er forårsaget af dårligt vedligeholdt værktøj.
- f. **Sørg for, at skæreværktøjer er skarpe og rene.** Ordentligt vedligeholdt skæreværktøj med skarpe skærekanter har mindre tilbøjelighed til at binde og er lettere at styre.
- g. **Brug elværktøjet, tilbehøret, indsatsværktøj osv. i overensstemmelse med disse instruktioner under hensyntagen til arbejdsforholdene og arbejdet, der skal udføres med værktøjet.** Brug af elektrisk værktøj til andre opgaver end dem, det er beregnet til, kan resultere i en farlig situation.
- h. **Hold håndtagene og håndtagsfladerne tørre, rene og fri for olie og fedt.** Glatte håndtag og gribeflader giver ikke en sikker håndtering og kontrol af værktøjet i uventede situationer.
5. **Brug og pleje af batteriværktøj (bruges kun til batteriværktøjer)**
- a. **Genoplad kun værktøjet ved brug af den oplader, der er angivet af producenten.** En oplader, der passer til en type batteripakke, kan udgøre en risiko for brand, når den bruges til en anden type.
- b. **Brug kun elværktøj sammen med batteripakker, der er specifikt beregnet hertil.** Brugen af andre batteripakker kan medføre personskaade og brand.
- c. **Når batteripakken ikke er i brug, skal den holdes på afstand af andre metalgenstande, f.eks. papirclips, mønter, nøgler, søm, skruer og andre små metalgenstande, som kan skabe forbindelse mellem de to poler.** Kortslutning af batteriet kan forårsage forbrændinger eller brand.
- d. **Under grove forhold kan væske sive ud fra batteriet; undgå kontakt.** Hvis der opstår kontakt ved et uheld, skyl med vand. Hvis væske kommer ind i øjnene, søg omgående lægehjælp. Væske, der siver ud fra batteriet, kan fremkalde irriterationer eller forbrændinger.
- e. **Brug ikke en batteripakke eller et værktøj, der er beskadiget eller modificeret.** Beskadigede eller modificerede batterier kan udvise uforudsigelig adfærd, hvilket kan resultere i brand, eksplosion eller risiko for personskaade.
- f. **Udsæt ikke en batteripakke eller et værktøj for ild eller for høj temperatur.** Eksponering for ild eller temperatur på over 130 °C kan forårsage eksplosion. BEMÆRK: Temperaturen „130 °C“ kan erstattes af temperaturen „265 °F“.
- g. **Følg alle opladningsanvisninger, og undlad at oplade batteripakken eller værktøjet uden for det temperaturinterval, der er specificeret i instruktionerne.** En forkert opladning eller opladning uden for det specificerede interval kan beskadige batteriet og øge risikoen for brand.
6. **Service**
- a. **Få altid elværktøjet repareret af kvalificerede fagfolk udelukkende med identiske reservedele.** Derved sikres det, at værktøjets driftssikkerhed opretholdes.
- b. **Beskadigede batteripakker må aldrig serviceres.** Service af batteripakker bør kun udføres af producenten eller autoriserede serviceudbydere (bruges kun til batteriværktøjer).
- Sikkerhedsinstruktioner til al brug**
- Bær høreværn når du arbejder med slagboring. Udsættelse for støj kan medføre høretab.
  - Hold i elværktøjets isolerede gribeflader, hvis der er risiko for, at skæretilbehøret eller beslaget kommer i kontakt med skjulte ledninger. Hvis skæretilbehøret eller beslaget rammer en strømførende ledning, bliver elværktøjets blotlagte dele strømførende, så brugeren får stød.
- Sikkerhedsinstruktioner for at anvende lange borekroner**
- Brug aldrig hurtigere hastighed end det maksimale angivet på borekronen. Ved højere hastigheder vil boret sandsynligvis bøjes, hvis det får lov til at rotere frit uden at komme i berøring med emnet, hvilket kan resultere i personskaade.
  - Start altid med at bore ved lav hastighed og med spidsen af boret i kontakt med overfladen. Ved højere hastigheder vil boret sandsynligvis bøjes, hvis det får lov til at rotere frit uden at komme i berøring med emnet, hvilket kan resultere i personskaade.



- Begynd altid med at bore i lav hastighed og med borespidsen i kontakt med emnet. Bør kan bøje og forårsage brud eller tab af kontrol, hvilket kan resultere i personskade.

### Ekstra sikkerhedsadvarsler for bor/drivværk/hammerbor

- Brug klemmer eller en anden praktisk måde på at sikre og understøtte arbejdsemnet til et stabilt underlag. Hvis du holder fast i arbejdsemnet med din hånd eller krop, vil det være ustabil, og det kan medføre, at du mister kontrollen over det.
- Tilbehør og værktøj kan blive varme under drift. Bær handsker under arbejde med dem, hvis du udfører varme-fremkaldende opgaver som fx boring af metaller.
- Luftaftræk dækker ofte over bevægelige dele og bør undgås. Løst tøj, smykker eller langt hår kan blive fanget af de bevægelige dele.
- Bær sikkerhedsbriller eller anden beskyttelse af øjnene. Hammer- og borefunktioner kan medføre flyvende splinter. Flyvende partikler kan forårsage permanente øjenskader.
- Bær høreværn når du arbejder med slagboring. Udsættelse for støj kan medføre høretab.
- Anvend hjælpehåndtag, hvis leveret sammen med værktøjet. Tab af kontrol kan medføre personskade.
- Arbejd ikke med dette værktøj i længere tid ad gangen. Vibrationer fra værktøjet kan beskadige dine hænder og arme. Brug handsker som ekstra stødpude og begræns risikoen ved at holde hyppige pauser.

### Andres sikkerhed

- Dette apparat kan bruges af børn i en alder fra 8 år og derover og personer med nedsatte fysiske, sensoriske eller mentale evner eller manglende erfaring og viden, hvis det sker under overvågning, eller de vejledes i brugen af apparatet på en sikker måde, og de forstår de farer, som er forbundet dermed.
- Børn må ikke lege med apparatet. Rengøring og brugervenlighed holdelse må ikke foretages af børn uden opsyn.

### Residualrisici

Yderligere residualrisici kan opstå, når værktøjet bruges, hvilket muligvis ikke er inkluderet i de medfølgende sikkerhedsadvarsler. Disse risici kan opstå i forbindelse med misbrug, længerevarende brug osv.

Selv med anvendelsen af de relevante sikkerhedsbestemmelser og implementeringen af sikkerhedsanordninger kan visse residualrisici ikke undgås. Disse omfatter:

- ◆ Personskader forårsaget ved berøring af roterende dele/dele i bevægelse.
- ◆ Personskader forårsaget ved udskiftning af dele, klinger eller tilbehør.

- ◆ Personskader forårsaget af længerevarende brug af et værktøj. Når du bruger et værktøj gennem længere perioder, bør du sørge for at tage regelmæssige pauser.
- ◆ Nedsat hørelse.
- ◆ Sundhedsfarer forårsaget af indånding af støv, der udvikles under brug af dit værktøj (f.eks.: -arbejde med træ, især eg, bøg og MDF.)

### Vibration

De erklærede vibrationsemissionsværdier angivet i de tekniske data og overensstemmelseserklæringen er blevet målt i overensstemmelse med en standardtestmetode ifølge EN 62841 og kan bruges til at sammenligne et værktøj med et andet. Den erklærede vibrationsemissionsværdi kan også bruges i en indledende eksponeringsvurdering.



**Advarsel!** Vibrationsemissionsværdien under den reelle brug af elværktøjet kan variere fra den erklærede værdi, afhængigt af de måder værktøjet bruges på. Vibrationsniveauet kan stige til over det angivne niveau.

Under vurdering af vibrationseksponering for at afgøre sikkerhedsforanstaltninger, der kræves af 2002/44/EF for at beskytte personer, der bruger elværktøj regelmæssigt til arbejde, bør en estimering af vibrationseksponering tage hensyn til de reelle forhold, værktøjet bruges under, herunder alle dele af drifts cyklussen, såsom de gange, værktøjet slukkes, og når det kører i tomgang ud over udløsertiden.

### Mærkatere på værktøjet

De følgende symboler vises på værktøjet ud over datokoden:



**Advarsel!** For at reducere risikoen for kvæstelser bør brugeren læse brugervejledningen.



Brug ørebeskyttere med slagboremaskiner. Eksponering for støj kan forårsage høretab.



Kig ikke ind i lampen, når den er tændt

### Yderligere sikkerhedsvejledninger for batterier og ladere

#### Batterier

- Forsøg aldrig at åbne den af en eller anden grund.
- Batteriet må ikke udsættes for fugt.
- Batteriet må ikke udsættes for varme.
- Opbevar ikke batterier på steder, hvor temperaturen kan overstige 40 °C.
- Foretag kun opladning ved omgivelsestemperaturer mellem 10 °C og 40 °C.

- Brug kun den oplader, der fulgte med apparatet/værktøjet, til opladning.
- Følg ved bortskaffelse af batterier vejledningen i afsnittet "Miljø".
- Undgå at beskadige/deformere batteripakken ved at punktere den eller slå på den, da dette kan forårsage risiko for tilskadekomst eller brand.
- Beskadigede batterier må ikke oplades.
- Under ekstreme forhold kan der forekomme batterilækage. Hvis du bemærker væske på batterierne, skal du omhyggeligt tørre den af med en klud. Undgå kontakt med huden.
- I tilfælde af kontakt med hud eller øjne skal nedenstående instruktioner følges.



**Advarsel!** Batterivæsken kan forårsage personskader eller materielle skader. I tilfælde af kontakt med huden skylles straks med vand. Søg læge, hvis der opstår rødme, smerte eller irritation. Skyl straks med rent vand, og søg læge i tilfælde af kontakt med øjnene.

### Opladere

Opladeren er udviklet til en specifik spænding. Kontroller altid, at netspændingen svarer til spændingen på typeskiltet.



**Advarsel!** Forsøg aldrig at erstatte opladerenheden med et almindeligt netstik.

- Brug kun din lader til at oplade batteriet i det værktøj, som den blev leveret sammen med. Andre batterier kan eksplodere og forårsage kvæstelser og materielle skader.
- Forsøg aldrig at oplade ikke-genopladelige batterier.
- Hvis netledningen beskadiges, skal den udskiftes af producenten eller et autoriseret værksted, så farlige situationer undgås.
- Udskift straks defekte ledninger.
- Opladeren må ikke udsættes for fugt.
- Opladeren må ikke åbnes.
- Undersøg ikke opladeren.
- Apparatet/værktøjet/batteriet skal anbringes et sted med god udluftning, når det oplades.



Opladeren er kun beregnet til indendørs anvendelse.

### Elektrisk sikkerhed



Den oplader er dobbelt isoleret, og der er derfor ikke brug for nogen jordleder. Kontrollér altid, at netspændingen stemmer overens med spændingen på ydelsesskiltet. Forsøg aldrig at udskifte opladerenheden med et almindeligt netstik.

- ◆ Hvis forsyningsledningen er beskadiget, skal den udskiftes af producenten eller et autoriseret BLACK+DECKER-servicecenter for at undgå en fare.

### Funktioner

Dette værktøj indeholder nogle eller alle af følgende funktioner.

1. Udløser med variabel hastighed
2. Frem/tilbage-skyder
3. Momentjusteringskrave
4. Nøglefri borepatron
5. Gearing med dobbelt område
6. LED-arbejdslys
7. Batteri
8. Batteriudløserknop

### Montering

#### Brug

**Advarsel!** Lad værktøjet arbejde i dets eget tempo. Overbelast det ikke.

#### Opladning af batteriet (fig. A1, A2)

Batteriet skal oplades inden første brug, og hver gang det ikke kan producere tilstrækkelig strøm til opgaver, der nemt kunne udføres før. Batteriet kan blive varmt under opladning; dette er normalt og er ikke et tegn på et problem.

**Advarsel!** Oplad ikke batteriet ved omgivende temperaturer under 10 °C eller over 40 °C.

Anbefalet opladningstemperatur: ca. 24 °C.

**Bemærk: Opladeren kan ikke oplade et batteri, hvis celledtemperaturen er under ca. 10 °C eller over 40 °C.**

**Batteriet bør efterlades i opladeren, og opladeren begynder automatisk at oplade, når celledtemperaturen opvarmes eller nedkøles.**

- ◆ Slut opladeren (9) til en almindelig stikkontakt på 230 volt og 50 Hz.
- ◆ Skub batteripakken (7) ind i opladeren, som vist i fig. A1, A2.

LED-lampen (9a) blinker for at indikere, at batteriet bliver opladet.

Når opladningen er færdig, indikeres det af LED-lampen (9a), som vil lyse konstant. Batteripakken er fuldt opladet og kan nu anvendes eller kan efterlades i opladeren.

**Advarsel!** brandfare. Når batteriet fjernes fra opladeren, skal du sørge for først at trække opladeren ud af stikkontakten og derefter tage batteriet ud af opladeren.

#### Opladerdiagnostik

Opladeren er udformet til at detektere visse problemer, som kan opstå med batteripakkerne eller strømkilden. Problemer indikeres af én LED-lampe, der blinker i forskellige mønstre.

### Dårligt batteri

Opladeren kan detektere et svagt eller beskadiget batteri. LED-lampen blinker i det mønster, der indikeres på mærket. Hvis du ser dette blinkmønster for dårligt batteri, skal du lade være med at fortsætte batteriopladningen. Send det tilbage til et servicecenter eller til en genbrugsplads.

### Varm/kold pakkeforsinkelse

Når opladeren registrerer et batteri, der er alt for varmt eller koldt, starter den automatisk en varm/kold pakkeforsinkelse og suspenderer opladningen, indtil batteriet er blevet normaliseret. Efter dette sker, skifter opladeren automatisk til pakkeopladningstilstand. Denne funktion sikrer maksimal batterilevetid. Lampen blinker i det mønster, der indikeres på mærket.

### Efterladelse af batteriet i opladeren

Opladeren og batteripakken kan efterlades tilsluttet med LED-lampen tændt på ubestemt tid. Opladeren holder batteripakken frisk og helt opladet. Denne oplader har en automatisk optuningstilstand, som svarer til eller udligner de individuelle celler i batteripakken, så den kan fungere ved maksimal kapacitet. Batteripakker bør optunes hver uge, eller hver gang batteriet ikke længere leverer den samme mængde arbejde. For at bruge den automatiske optuningstilstand skal du placere batteripakken i opladeren og lade den sidde i mindst 8 timer.

### Vigtige opladningsbemærkninger

- ◆ Den længste levetid og bedste ydeevne kan opnås, hvis batteripakken oplades, når lufttemperaturen er mellem 18 ° – 24 °C. Oplad IKKE batteripakken i en lufttemperatur under +4.5 °C, eller over +40 °C. Dette er vigtigt og forhindrer alvorlig beskadigelse af batteripakken.
  - ◆ Opladeren og batteripakken kan blive varme at røre ved under opladning. Dette er en normal tilstand og er ikke et tegn på et problem. For at lette afkølingen af batteripakken efter brug skal du undgå at placere opladeren eller batteripakken i et varmt miljø, såsom i et metallisk skur eller en isoleret trailer.
  - ◆ Hvis batteripakken ikke oplades korrekt:
    - ◆ Kontrollér stikkontaktens drift ved at tilslutte en lampe eller et andet apparat;
    - ◆ Se efter, om stikkontakten er sluttet til en lysafbryder, der slukkes, når du slukker for lyset;
    - ◆ Flyt opladeren eller batteripakken til et sted, hvor den omgivende lufttemperatur er ca. 18 ° – 24 °C;
    - ◆ Hvis opladningsproblemerne fortsætter, skal du tage værktøjet, batteripakken og din oplader hen til dit lokale servicecenter.
  - ◆ Batteripakken bør genoplades, når den ikke producerer tilstrækkelig strøm til opgaver, der nemt kunne udføres før.
- FORTSÆT IKKE MED AT BRUGE DEN under disse

forhold. Følg opladningsproceduren. Du kan også oplade en delvist brugt pakke når som helst, uden at det har en negativ indvirkning på batteripakken.

- ◆ Fremmedlegemer af en ledende type, såsom, men ikke begrænset til, silbestøv, metalspånere, ståluld, aluminiumsfolie eller opbygning af metalliske partikler bør holdes væk fra opladerhulrum. Tag opladeren ud af stikket, før du forsøger at rense den.
- ◆ Opladeren må ikke fryses ned eller nedsænkes i vand eller anden væske.

### Isætning og udtagning af batteripakken fra værktøjet (fig. B)

**Advarsel!** Sørg for, at spærreknapen (2) er aktiveret for at forhindre kontaktaktivering, inden du udtager eller isætter batteriet.

Sådan isættes batteripakken:

- ◆ Isæt batteripakken (7) i værktøjet indtil der høres et lydklik (fig. B)

### Udtagning af batteripakken fra værktøjet (fig. C)

- ◆ Hold batteriudløserknappen (8) nede, som vist i (fig. C), og træk batteripakken ud af værktøjet.

### Driftsinstruktioner

#### Udløserknap og tilbage-knap (fig. D)

- ◆ Boremaskinen tændes og slukkes ved at trække og slippe udløserknappen (1). Jo mere udløseren trykkes ned, des højere er boremaskinens hastighed.
- ◆ En frem/tilbage-kontrolknap (2) afgør værktøjets retning og fungerer som spærreknap.
- ◆ For at vælge fremad rotation skal du slippe udløserknappen og trykke frem/tilbage-kontrolknappen til venstre.
- ◆ For at vælge tilbage skal du trykke frem/tilbage-kontrolknappen den modsatte retning.

**Bemærk:** Kontrolknappens midterposition låser værktøjet i sluk-position. Når kontrolknappens position ændres, skal du sikre dig, at udløseren slippes.

#### Momentkontrol (fig. E)

Dette værktøj er udstyret med en momentjusteringskrave (3) for at vælge driftstilstanden og indstille momentet til spænding af skruer. Store skruer og hårde arbejdsstykkematerialer kræver en højere momentindstilling end små skruer og hårde arbejdsstykkematerialer.

- ◆ Ved boring i træ, metal og plast skal kraven stilles til borepositionssymbolet
- ◆ Ved skruning skal kraven stilles på den ønskede indstilling. Hvis du endnu ikke kender den passende indstilling, bør du gøre følgende:
- ◆ Stil kraven til den laveste momentindstilling.
- ◆ Stram den første skrue.

- ◆ Hvis borepatronen skifter, inden det ønskede resultat er opnået, skal du øge kraveindstillingen og fortsætte spændingen af skruen. Gentag, indtil du når den korrekte indstilling. Brug denne indstilling til de resterende skruer.

### Nøglefri borepatron (fig. F)

**Advarsel!** Sørg for, at spærreknappen (2) er aktiveret for at forhindre kontakttivering, inden du installerer eller fjerner tilbehør.

Sådan isættes et borehoved eller et andet tilbehør:

- ◆ Tag fat i den bageste halvdel af borepatronen (4) med den ene hånd, og brug den anden hånd til at rotere den forreste halvdel mod urets retning, set fra borepatronens ende.
- ◆ Sæt boret eller et andet tilbehør helt ind i borepatronen, og stram godt ved at holde i den bageste halvdel af borepatronen og rotere den første del med uret, set fra borepatronens ende.

**Advarsel!** Forsøg ikke at stramme borehoveder(eller andet tilbehør) ved at tage fat i den forreste del af borepatronen og tænde for værktøjet. Beskadigelser af borepatronen og personskade kan opstå ved udskiftning af tilbehør.

### Gearing med dobbelt område (Figur G)

Funktionen med dobbelt område i din boremaskine gør det muligt at skifte gear for større alsidighed. For at vælge lav hastighed, høj momentindstilling (position 1), skal du slukke for værktøjet og lade det stoppe. Skub gearskifterknappen (5) væk fra borepatronen. For at vælge høj hastighed, lav momentindstilling (position 2), skal du slukke for værktøjet og lade det stoppe.

Skub gearskifterknappen mod borepatronen.

**Bemærk:** Skift ikke gear, når værktøjet kører. Hvis du har problemer med at skifte gear, skal du sørge for, at knappen til dobbelt område enten er trykket helt frem eller trykket helt tilbage.

### Boring/skruning

- ◆ Vælg fremad eller tilbage-rotation ved hjælp af frem/tilbage-skyderen (2).
- ◆ Tryk på kontakten (1) for at tænde for værktøjet. Værktøjets hastighed afhænger af, hvor langt du trykker kontakten ind.
- ◆ Slip kontakten for at slukke for værktøjet.

### Tips til optimal brug

#### Boring

- ◆ Brug kun skarpe borehoveder.
- ◆ Støt og sikr arbejdet korrekt, som angivet i sikkerhedsinstruktionerne.

- ◆ Brug passende og påkrævet sikkerhedsudstyr, som angivet i sikkerhedsinstruktionerne.
- ◆ Sikr og vedligehold arbejdsområdet korrekt, som angivet i sikkerhedsinstruktionerne.
- ◆ Kør boret meget langsomt med et let tryk, indtil hullet er startet nok til at undgå, at borehovedet glider ud af det.
- ◆ Påfør tryk i en lige linje med boremaskinen. Brug nok tryk til at holde boremaskinen i gang, men ikke så meget, at motoren staller, eller at boret afbøjes.
- ◆ Hold boremaskinen godt fast med to hænder for at kontrollere dens drejehandling.
- ◆ UNDLAD AT TÆNDE OG SLUKKE PÅ UDLØSEREN AF EN STALLET BOREMASKINE I ET FORSØG PÅ AT STARTE DEN. DET KAN RESULTERE I BESKADIGELSE AF BOREMASKINEN.
- ◆ Minimer stalling ved gennembrud ved at reducere trykket og langsomt bore gennem den sidste del af hullet.
- ◆ Hold motoren i gang, mens du trækker boret ud af et boret hul. Dette hjælper med at reducere fastklemning.
- ◆ Sørg for, at kontakten tænder og slukker for boremaskinen.

### Boring i træ

Huller i træ kan laves med de samme snoede borehovedet, der bruges til metal, eller med spadeborehoveder. Disse borehoveder bør være skarpe og skal trækkes ud jævnlgt, når der bores til klare spåner fra sporene.

### Boring i metal

Brug et skæresmøremiddel, når du borer i metaller. Undtagelserne er støbejern og messing, som skal bores tørt. Det skæresmøremiddel, der virker bedst, er svovlholdig skæreolie eller lardolie.

### Boring i murværk

Ved boring i murværk skal du stille kraven (3) i hammerboreposition ved at justere symbolet til mærket. Skub hastighedsvælgeren (5) mod forsiden af værktøjet (2. gear).

### Skruning

- ◆ Brug altid den korrekte type og størrelse skruetrækkerbor.
- ◆ Hvis skruer er svære at stramme, kan du forsøge at påføre en lille mængde opvaskemiddel eller sæbe som et smøremiddel.
- ◆ Hold altid værktøjet og skruetrækkerklingen i en lige linje med skruen

## Fejlsøgning

Problem	Mulig årsag	Mulig løsning
Enhed starter ikke.	Batteripakke ikke opladet.	Kontroller opladningskrav til batteripakke
Batteripakke kan ikke oplades.	Oplader ikke tilsluttet.  Den omgivende lufttemperatur er for varm eller for kold.	Slut opladeren til en fungerende stikkontakt.  Flyt opladeren og batteripakken til en omgivende lufttemperatur på over 40 grader F (4,5°C) eller under 105 grader F (+40,5°C)
Enheden slukkes brat.	Batteripakken har nået sin maksimale termiske grænse.  Uden opladning. (For at maksimere batteripakkens levetid er den udformet til at slukke brat, når opladningen er opbrugt)	Lad batteripakken køle ned.  Anbring på en oplader, og lad den blive opladet.

## Vedligeholdelse

Dit BLACK+DECKER-værktøj med eller uden ledninger er blevet udformet til at fungere gennem en lang periode med en minimal vedligeholdelse. Kontinuerlig tilfredsstillende drift afhænger af korrekt værktøjspleje og regelmæssig rengøring. Din oplader kræver ingen vedligeholdelse ud over regelmæssig rengøring.

**Advarsel!** Inden du foretager vedligeholdelse af et værktøj, skal du tage batteriet ud af værktøjet. Tag opladeren ud af stikket, før du rengør det.

- ◆ Rengør regelmæssigt ventilationshullerne i dit værktøj og din oplader med en blød børste eller tør klud.
- ◆ Rengør motorhuset regelmæssigt med en fugtig klud. Brug ikke et slibende eller opløsningsbaseret rengøringsmiddel.
- ◆ Åbn regelmæssigt borepatronen, og bank på den for at fjerne evt. støv fra indersiden.

## Miljøbeskyttelse



Særskilt bortskaffelse. Produkter og batterier mærket med dette symbol må ikke bortskaffes sammen med normalt husholdningsaffald.

Produkter og batterier indeholder materialer, der kan genindvindes eller genanvendes, hvilket reducere efterspørgslen efter råvarer. Genbrug venligst elektriske produkter og batterier i henhold til lokale bestemmelser. Yderligere informationer findes på [www.2helpU.com](http://www.2helpU.com)

## Tekniske data

		BCD003	
Spænding	$V_{DC}$	18	
Ubelastet hastighed	$Min^{-1}$	0 - 360/0 - 1400	
Maks. moment	Nm	45	
Borepatronkapacitet	mm	1 - 10	
Maks. boreeffekt			
Stål/træ/Murværk	mm	10/25/10	
Vægt	kg	0,9	

Oplader		90590287-06	906349**
Indgangsspænding	$V_{AC}$	230	230
Udgangsspænding	$V_{DC}$	18	18
Strøm	mA	400	1A
Ca. opladningstid	Timer	3 - 11	1.5 - 4

Batteri		BL1518	
Spænding	$V_{DC}$	18	
Kapacitet	Ah	1,5	
Type		Li-Ion	

Niveau af lydtryk ifølge EN 62841:	
Lydtryk ( $L_{pA}$ )	86,0 dB(A), usikkerhed (K) 5 dB(A)
Lydeffekt ( $L_{WA}$ )	97,0 dB(A), usikkerhed (K) 5 dB(A)

Samlede vibrationsværdier (triax vektor-sum) ifølge EN 62841:	
Boring i beton ( $a_{n,D}$ )	6,8 $m/s^2$ , usikkerhed (K) 1,5 $m/s^2$
Boring i metal ( $a_{n,D}$ )	1,8 $m/s^2$ , usikkerhed (K) 1,5 $m/s^2$

## EF-overensstemmelseserklæring MASKINDIREKTIV



BCD003 - Slagboremaskine

Black & Decker erklærer, at disse produkter beskrevet under "tekniske data" er i overensstemmelse med: 2006/42/EC, EN62841-1:2015, EN62841-2-1:2018+A11:2019.

Disse produkter er også i overensstemmelse med direktiv 2014/30/EU og 2011/65/EU. For yderligere oplysninger bedes du kontakte Black & Decker på følgende adresse eller se bagest i vejledningen.

Undertegnede er ansvarlig for kompileringen af den tekniske fil og foretager denne erklæring på vegne af Black & Decker.

*Patrick Diepenbach*

Patrick Diepenbach  
General Manager, Benelux  
Black and Decker,  
Egide Walschaertsstraat 14-18  
2800 Mechelen, Belgien  
10/09/2021

## Garanti

Black & Decker er overbevist om den gode kvalitet af sine produkter og giver forbrugerne en garanti på 24 måneder fra købsdatoen. Garantien er et tillæg til forbrugers lovmæssige rettigheder og påvirker ikke disse. Garantien er gyldig inden for medlemsstaterne af Den Europæiske Union og Det Europæiske Frihandelsområde.

Når du gør krav på garantien, skal kravet være i overensstemmelse med Black & Decker vilkår og betingelser, og du skal indsende dokumentation for købet til sælgeren eller til en autoriseret reparatør.

Vilkår og betingelser for Black & Decker 2 års garanti og placeringen af dit nærmeste autoriserede serviceværksted kan fås på internettet på [www.2helpU.com](http://www.2helpU.com), eller ved at kontakte dit lokale Black & Decker kontor på den adresse, der er angivet i denne vejledning.

Besøg venligst vores websted [www.blackanddecker.co.uk](http://www.blackanddecker.co.uk) for at registrere dit nye Black & Decker produkt og modtage opdateringer om nye produkter og specielle tilbud.

## Käyttötarkoitus

BLACK+DECKER BCD003 -iskupora on tarkoitettu ruuvaussovelluksiin sekä puun, metallin ja kivimateriaalien poraamiseen. Tämä työkalu on tarkoitettu vain yksityiskäyttöön.

## Turvallisuusohjeet

### Sähkötyökalujen yleiset turvavaroitukset



**Varoitus!** Lue kaikki tämän sähkötyökalun mukana toimitetut varoitukset, käyttöohjeet ja tekniset tiedot. Jos kaikkia ohjeita ei noudateta, on olemassa sähköiskun, tulipalon ja/tai vakavan henkilövahingon vaara.

### Säästä kaikki varoitukset ja ohjeet tulevaa käyttöä varten.

Jäljempänä olevissa varoituksissa käytetyllä käsitteellä "sähkötyökalu" tarkoitetaan verkkokäyttöisiä sähkötyökaluja (verkkojohdolla) ja akkukäyttöisiä sähkötyökaluja (ilman verkkojohtoa).

#### 1. Työalueen turvallisuus

- Pidä työskentelyalue puhtaana ja hyvin valaistuna.** Onnettomuuksia sattuu herkemmin epäsiistissä tai huonosti valaistussa ympäristössä.
- Älä käytä sähkötyökalua räjähdysalttiissa ympäristössä, jossa on palavaa nestettä, kaasua tai pölyä.** Sähkötyökalujen aiheuttamat kipinät voivat sytyttää pölyn tai kaasut.
- Pidä lapset ja sivulliset loitolla sähkötyökalua käyttäessäsi.** Keskittymiskyvyn herpaantuminen voi aiheuttaa hallinnan menettämisen.

#### 2. Sähköturvallisuus

- Sähkötyökalun pistokkeen on sovittava pistorasiaan. Älä koskaan tee pistokkeeseen mitään muutoksia. Älä yhdistä maadoitettua sähkötyökalua jatkojohtoon.** Sähköiskun vaara vähenee, jos pistokkeisiin ei tehdä muutoksia ja ne yhdistetään vain niille tarkoitettuihin pistorasioihin.
- Vältä koskettamasta maadoitettuja pintoja, kuten putkia, pattereita, liesiä tai jääkaappeja.** Voit saada sähköiskun, jos kehosi on maadoitettu.
- Älä altista sähkötyökalua sateelle tai kosteudelle.** Sähkötyökaluun menevä vesi lisää sähköiskun vaaraa.
- Älä käsittele virtajohtoa kovakouraisesti. Älä kannata työkaluja sähköjohdosta tai vedä pistoketta pistorasiasta sähköjohdon avulla. Pidä sähköjohto kaukana kuumuudesta, öljystä, terävistä reunoista tai liikkuvista osista.** Vaurioituneet tai sokeutuneet johdot lisäävät sähköiskun vaaraa.

- Käyttäessäsi sähkötyökalua ulkona käytä ainoastaan ulkokäyttöön soveltuvaa jatkojohtoa.** Ulkokäyttöön tarkoitettun sähköjohdon käyttäminen vähentää sähköiskun vaaraa.
- Jos sähkötyökalua on välttämättä käytettävä kosteassa paikassa, käytä jännösvirtalaitteella (RCD) suojattua virtälähdettä.** Tämä vähentää sähköiskun vaaraa.

#### 3. Henkilöturvallisuus

- Keskity työskentelyysi ja noudata tervettä järkeä käyttäessäsi sähkötyökaluja. Älä käytä tätä työkalua ollessasi väsynyt tai alkoholin, huumeiden tai lääkkeiden vaikutuksen alaisena.** Keskittymisen herpaantuminen hetkeksikin sähkötyökalua käytettäessä voi aiheuttaa vakavan henkilövahingon.
  - Käytä henkilökohtaisia suojarusteita. Käytä aina suojalaseja.** hengityssuojaimen, liukumattomien turvajalkineiden, kypärän ja kuulonsuojaimen käyttäminen vähentää henkilövahinkojen vaaraa.
  - Vältä tahatonta käynnistämistä. Varmista, että kytkin on OFF-asennossa, ennen kuin liität laitteen virtalähteeseen ja/tai akkuun, nostat laitteen tai kannat sitä.** Sähkötyökalun kantaminen sormi virtakytkimellä lisää onnettomuusvaaraa.
  - Irrota mahdollinen säätö- tai kiintoavain, ennen kuin käynnistät sähkötyökalun.** Sähkötyökalun pyöriivään osaan kiinni jäänyt avain voi johtaa loukkaantumiseen.
  - Älä kurkota liian kauas. Huolehdi siitä, että sinulla on koko ajan tukeva jalansija ja hyvä tasapaino.** Näin voit hallita sähkötyökalua paremmin odottamattomissa tilanteissa.
  - Käytä tarkoitukseen soveltuvia vaatteita. Älä käytä löysiä vaatteita tai koruja. Pidä hiukset, vaatteet ja kädet loitolla liikkuvista osista.** Löysät vaatteet, korut tai pitkät hiukset voivat tarttua liikkuviin osiin.
  - Jos laitteeseen voi kiinnittää pölynkerääjän tai -imurin, tarkista, että se on paikallaan ja että se toimii kunnolla.** Pölyn ottaminen talteen voi vähentää pölyn aiheuttamia vaaroja.
  - Vaikka käyttäisit usein työkaluja ja sinulla olisi niistä hyvä tuntemus, älä jätä lukematta työkalun turvallisuusohjeita.** Huolimattomuus voi johtaa vakaviin henkilövahinkoihin jopa sekunnin murto-osassa.
- #### 4. Sähkötyökalujen käyttö ja hoito
- Älä yliuormita sähkötyökalua. Valitse käyttötarkoituksen kannalta oikea sähkötyökalu.** Sähkötyökalu toimii paremmin ja turvallisemmin, kun sitä käytetään sille suunniteltuun käyttötarkoitukseen.

- b. Älä käytä sähkötyökäluä, jota ei voida käynnistää ja pysäyttää virtakytimestä. Jos sähkötyökäluä ei voi hallita kytkimen avulla, se on vaarallinen ja se on korjattava.
- c. **Katkaise sähkötyökäluästä virta ja irrota sen pistoke pistorasiasta tai irrota akku siitä ennen säätämistä, varusteiden vaihtamista tai sähkötyökäluän asettamista säilytykseen.** Näin voit vähentää vahingossa käynnistymisen aiheuttaman henkilövahingon vaaraa.
- d. **Säilytä sähkötyökäluet poissa lasten ulottuvilta, kun niitä ei käytetä. Älä anna sähkötyökäluä sellaisen henkilön käyttöön, joka ei tunne sitä tai joka ei ole tutustunut sähkötyökäluän käyttöohjeeseen.** Sähkötyökäluet ovat vaarallisia kouluttamattomien käyttäjien käsissä.
- e. **Hoida sähkötyökäluasi ja lisävarusteita huolella. Tarkista, että liikkuvat osat toimivat moitteettomasti ja etteivät ne ole puristuksessa. Tarkista myös, ettei työkalussa ei ole murtuneita tai vahingoittuneita osia, jotka saattaisivat vaikuttaa haitallisesti sen toimintaan. Jos havaitset vaurioita, korjauta sähkötyökälu ennen niiden käyttämistä.** Huonosti kunnossapidetyt sähkötyökäluet aiheuttavat onnettomuuksia.
- f. **Pidä leikkausterät terävinä ja puhtaina.** Kunnossa pidettyjen leikkaavien teräviä reunoja sisältävien työkalujen todennäköisyys jumiutua vähenee, ja niitä on helpompi hallita.
- g. **Käytä sähkötyökäluja, tarvikkeita, vaihtotyökäluja jne. näiden ohjeiden mukaisesti. Ota tällöin huomioon työolosuhteet ja suoritettava toimenpide.** Jos sähkötyökäluä käytetään näiden ohjeiden vastaisesti, voi syntyä vaaratilanne.
- h. **Pidä kahvat ja kädensijat kuivina ja puhtaina öljystä ja rasvasta.** Liukkaat kahvat ja kädensijat estävät työkalun turvallisen käsittelyn ja hallinnan odottamattomissa tilanteissa.
5. **Akkutyökäluän käyttö ja huolto (koskee vain akkutyökäluja)**
- a. **Lataa vain valmistajan määrittämällä laturilla.** Laturi, joka on sopiva yhden tyyppiselle akulle, voi aiheuttaa tulipalon vaaran, jos sitä käytetään toisen tyyppisellä akulla.
- b. **Käytä sähkötyökäluä ainoastaan kyseiseen sähkötyökäluun tarkoitettua akkua.** Muun tyyppisen akun käyttö saattaa johtaa loukkaantumiseen ja tulipaloon.
- c. **Pidä irrallinen akku loitolla metalliesineistä, kuten paperiliittimistä, kolkkoista, avaimista, nauloista, ruuveista tai muista pienistä metalliesineistä, jotka voivat aiheuttaa oikosulun akun navoissa.** Kennon pinteiden oikosulku voi aiheuttaa palovammoja tai tulipalon.
- d. **Väärin käytetystä akusta voi vuotaa nestettä. Älä kosketa sitä. Jos nesteen kanssa joutuu kosketuksiin, huuhtelee vedellä. Jos nestettä joutuu silmiin, hakeudu lisäksi lääkärin hoitoon.** Akusta roiskunut neste saattaa aiheuttaa ärsytystä tai palovammoja.
- e. **Akkua tai työkalua ei saa käyttää, jos siinä on vaurioita tai sitä on muunneltu.** Vaurioituneet tai muunnellut akut voivat johtaa odottamattomiin tilanteisiin ja vaarana ovat tulipalo, räjähdys ja henkilövahingot.
- f. **Suojaa akku ja työkalu tulelta ja liian korkeilta lämpötiloilta.** Se voi räjähtää yli 130 °C lämpötilassa. HUOMAA: Lämpötila "130 °C" voidaan korvata lämpötilalla "265 °F".
- g. **Nouda kaikkia latausohjeita. Akkua tai työkalua ei saa ladata ohjeissa määritetystä lämpötilavälisestä poikkeavassa lämpötilassa.** Jos akku ladataan virheellisesti tai määritetystä lämpötilavälisestä poikkeavassa lämpötilassa, seurauksena voi olla akun vaurioituminen ja tulipalovaara.
6. **Huolto**
- a. **Korjata sähkötyökälu koulutetulla ja ammattitaitoisella henkilöllä ja hyväksy korjauksiin vain alkuperäisiä varaosia.** Tämä varmistaa sähkötyökäluun turvallisuuden.
- b. **Älä koskaan huolla vaurioituneita akkuja.** Ainoastaan valmistaja tai valtuutetut huoltoliikkeet saavat huoltaa akkuja (koskee vain akkutyökäluja).
- Turvaohjeet kaikkia toimintoja käytettäessä**
- Käytä kuulosuojia, kun käytät iskuporaa. Meluella altistuminen voi aiheuttaa kuulon menetyksen.
  - Pitele sähkötyökäluä eristetyistä tartuntapinnoista, kun teet työtä, jossa työkalu tai kiinnitin voi joutua kosketuksiin piilossa olevien sähköjohtojen kanssa. Työkäluun tai kiinnittimen kosketus jännitteisen johtimen kanssa voi tehdä myös työkalun paljaista metalliosista jännitteisiä ja aiheuttaa sähköiskun käyttäjälle.
- Turvallisuusohjeet pitkiä poranteriä käytettäessä**
- Älä koskaan ylitä poran terän määritettyä maksiminopeutta. Suuremmilla nopeuksilla terä voi taipua ja aiheuttaa henkilövahinkoja, jos sen annetaan pyöriä vapaasti työstökappaleesta irti.
  - Aloita poraus aina alhaisella nopeudella poran terän koskettaessa työstökappaleeseen. Suuremmilla nopeuksilla terä voi taipua ja aiheuttaa henkilövahinkoja, jos sen annetaan pyöriä vapaasti työstökappaleesta irti.
  - Kohdista terään voimaa vain suorassa linjassa välttämällä liiallista painetta. Terät voivat taipua ja aiheuttaa murtumisen tai hallinnan menetyksen, mikä voi johtaa henkilövahinkoihin.



## Lisäturvaohjeet porille/ruuvinvääntimille/iskuporille

- Käytä puristimia tai muuta käytännöllistä tapaa kiinnittää ja tukea työkappale tukevalle alustalle. Työn pitäminen käsin tai vartaloa vasten on epävakaata ja saattaa johtaa kontrolliin menetykseen.
- Lisävarusteet ja työkalu voivat kuumentua käytön aikana. Käytä suojakäsineitä niiden käsittelyn aikana, jos käytät työkalua lämpöä tuottaviin toimintoihin, kuten metallien poraukseen.
- Ilmanvaihtoaukkoja ei saa peittää. Löysät vaatteet, korut tai pitkät hiukset voivat tarttua liikkuviin osiin.
- Käytä suojalaseja tai muita silmäsuojia. Iskuporaus ja poraaminen voivat aiheuttaa lastujen lentämisen. Lentävät kappaleet voivat aiheuttaa pysyvän silmävaurion.
- Käytä kuulosuojia, kun käytät iskuporaa. Melulle altistuminen voi aiheuttaa kuulon menetyksen.
- Käytä lisäkahvoja, jos ne on toimitettu työkalun mukana. Hallinnan menetys voi aiheuttaa henkilövahingon.
- Älä käytä tätä työkalua pitkiä aikoja yhtäjaksoisesti. Työkalun iskutoiminnan aiheuttama värinä voi olla haitallista käsillesi ja käsivarsillesi. Käytä käsineitä tarjoamaan lisäpehmustetta ja rajoita altistumista värinälle pitämällä taukoja.

## Muiden henkilöiden turvallisuus

- Tämä laite soveltuu yli 8-vuotiaiden lasten ja sellaisten henkilöiden käyttöön, joilla on fyysisiä tai älyllisiä rajoitteita tai aistirajoitteita, kuten myös laitteen toimintaan perehtymättömien henkilöiden käyttöön, jos heitä valvotaan tai jos he ovat saaneet laitteen turvalliseen käyttöön liittyvää opastusta ja ymmärtävät laitteen käyttöön liittyvät vaarat.
- Älä anna lasten leikkiä laitteella. Puhdistus- ja huoltotöitä ei saa jättää lapsille ilman valvontaa.

## Jäännösriskit

Muita jäännösriskejä voi olla olemassa käyttäessä työkalua, jota ei ole huomioitu annetuissa varoituksissa. Kyseiset riskit voivat liittyä väärinkäyttöön, pitkäaikaiseen käyttöön jne.

Joitakin jäännösriskejä ei voida välttää edes noudattamalla asiaankuuluvia turvamääräyksiä ja käyttämällä turvajärjestelmiä. Niihin kuuluvat seuraavat:

- ◆ Henkilövahingot, jotka johtuvat pyöriivien/liikkuviin osiin koskettamisesta.
- ◆ Henkilövahingot, jotka johtuvat vaihtaessa osia, teriä tai lisävarusteita.
- ◆ Henkilövahingot, jotka johtuvat työkalun pitkäaikaisesta käytöstä. Pidä säännöllisiä taukoja käyttäessä työkalua pitkiä aikajaksoja.
- ◆ Kuulon heikentyminen.
- ◆ Terveysvaarat, jotka aiheutuvat työkalun käytön aikana syntyvästä pölystä (esimerkki: - käsitellessä puuta, erityisesti tammea, pyökkiä ja puolikovaa kuitulevyä).

## Tärinä

Teknisissä tiedoissa ja vaatimustenmukaisuusvakuutuksessa annetut värinäpäästöarvot on mitattu standardin EN 62841 vakiotestimenetelmien mukaan ja niitä voidaan käyttää eri työkalujen vertaamiseen. Annettua värinäpäästöarvoa voidaan käyttää myös altistumisen alustavassa arvioinnissa.



**Varoitus!** Todellinen värinäpäästöarvo sähkötyökalun käytön aikana voi poiketa annetusta arvosta työkalun käyttötavasta riippuen. Värinätaaso voi nousta annetun tason yläpuolelle.

Kun altistumista värinälle arvioidaan direktiivin 2002/44/EY vaatimien turvatoimien määrittämiseksi ja sähkötyökaluja säännöllisesti käyttävien käyttäjien suojaamiseksi, värinälle altistumista arvioidessa on huomioitava todelliset käyttöolosuhteet sekä työkalun käyttötapa, mukaan lukien kaikki käyttöjakson elementit (esim. työkalun sammutusajat sekä tyhjäkäyntiajat käyttöajan lisäksi).

## Työkalun merkit

Seuraavat symbolit näkyvät työkalussa päivämääräkoodin ohella:



**Varoitus!** Käyttäjän on luettava ohjekirja henkilövahinkovaaran välttämiseksi.



Käytä kuulonsuojaimia iskuporaamisen aikana. Melu voi aiheuttaa kuulon heikentymistä.



Älä katso suoraan toiminnassa olevaan lampuun

## Akkuja ja laturia koskevat lisäturvaohjeet

### Akut

- Älä koskaan yritä avata mistään syystä.
- Älä anna akun kastua.
- Älä altista akkua kuumuudelle.
- Älä säilytä akkuja tiloissa, joissa lämpötila voi nousta yli 40 °C:een.
- Lataa akku paikassa, jonka lämpötila on vähintään 10 °C ja enintään 40 °C.
- Käytä akun lataamiseen vain laitteen mukana toimitettua laturia.
- Noudata akkuja hävittäessäsi kohdassa "Ympäristönsuojelu" annettuja ohjeita.
- Suojaa akkua vahingoittumiselta niin, ettei sen kotelo rikoudu eikä siihen kohdistu iskuja, sillä muutoin voi syntyä henkilövahinkojen ja tulipalon vaara.
- Älä lataa virallisia akkuja.
- Vaativissa oloissa voi ilmetä akkuvuotoja. Jos havaitset akkujen pinnalla nestettä, pyyhi se huolellisesti pois. Vältä ihokosketusta.

- Jos nestettä joutuu silmiin tai iholle, noudata alla olevia ohjeita.



**Varoitus!** Akkuneste voi aiheuttaa aineellisia vahinkoja tai henkilövahinkoja. Jos nestettä joutuu iholle, se on välittömästi huuhdeltava pois vedellä. Jos ihoa kirvelee tai se punottaa tai on muuten ärtynyt, kysy lisäohjeita lääkäreiltä. Jos nestettä joutuu silmiin, huuhto välittömästi puhtaalla vedellä ja mene lääkäriin.

### Laturit

Laturi on tarkoitettu tietyille jännitteelle. Tarkista aina, että verkkojännite vastaa arvokilvessä ilmoitettua jännitettä.



**Varoitus!** Älä yritä vaihtaa laturiin tavallista verkkovirran pistoketta.

- Käytä laturia vain laitteen mukana toimitetun akun lataamiseen. Muut akut voivat räjähtää ja aiheuttaa henkilövahinkoja tai aineellisia vahinkoja.
- Älä koskaan yritä ladata akkuja, joita ei ole tarkoitettu ladattavaksi.
- Jos virtajohto vahingoittuu, sen vaihtaminen on turvallisuussyistä jätettävä valmistajan tai valtuutetun huollon tehtäväksi.
- Vaihda vialliset johdot välittömästi ehjiin.
- Älä altista laturia vedelle.
- Älä avaa laturia.
- Älä työnnä mitään laturin sisään.
- Lataa laite/työkalu/akku paikassa, jossa on kunnollinen ilmanvaihto.



Laturi on tarkoitettu vain sisäkäyttöön.

### Sähköturvallisuus



Laturi on kaksoiseristetty, se ei täten vaadi maadoitusjohtoa. Tarkista aina, että verkkojännite vastaa arvokilvessä annettua jännitettä. Älä koskaan yritä vaihtaa laturia tavalliseen verkkovirtapistokkeeseen.

- ◆ Jos virtajohto on vaurioitunut, vaaratilanteiden välttämiseksi se on vietävä valmistajalle tai valtuutettuun BLACK+DECKER-huoltopalveluun johdon vaihtoa varten.

### Ominaisuudet

Tämä työkalu sisältää kaikki seuraavat ominaisuudet tai vain joitakin niistä.

1. Portaaton nopeudensäädin
2. Suunnanvaihtokytkin
3. Momentin säätörengas
4. Avaimeton istukka
5. Kaksivaihteinen järjestelmä
6. LED-työvalo

7. Akku
8. Akun vapautuspainike

### Kokoaminen

#### Käyttö

**Varoitus!** Anna työkalun käydä omaan tahtiin. Vältä sen ylikuormittamista.

#### Akun lataaminen (kuvat A1, A2)

Akku on ladattava ennen ensimmäistä käyttökertaa ja aina kun laitteen teho on riittämätön normaalien toimenpiteiden suorittamiseen. Akku voi lämmetä latauksen aikana, se on normaalia; se ei ole vian merkki.

**Varoitus!** Älä lataa akkua alle 10 °C tai yli 40 °C ympäristölämpötilassa. Suositeltu latauslämpötila on noin 24 °C.

**Huomaa:** Laturi ei lataa akkua, jos kennon lämpötila on liikimääräisesti alle 10 °C tai yli 40 °C. Akku tulee jättää laturiin ja laturi aloittaa latauksen automaattisesti, kun kennon lämpötila nousee tai laskee.

- ◆ Liitä laturi (9) tavalliseen 230 V 50 Hz pistorasiaan.
- ◆ Liu'uta akku (7) laturiin kuvien A1, A2 mukaisesti.

LED-merkkivalo (9a) vilkkuu ilmoittaen akun latautumisesta.

Kun lataus on valmis, LED-merkkivalo (9a) jää palamaan pysyvästi. Akku on täysin ladattu ja sitä voidaan käyttää heti tai sen voi jättää laturiin.

**Varoitus!** Tulipalovaara. Kun akku irrotetaan laturista, irrota laturi ensin verkkovirrasta ja sen jälkeen akku laturista.

#### Laturin vianmääritys

Tämä laturi tunnistaa joitakin ongelmia, joita voi esiintyä akuissa tai virtalähteissä. Ongelmista ilmoittaa yksi eri tavoin vilkkuva LED-merkkivalo.

#### Heikkokuntoinen akku

Laturi voit tunnistaa heikon tai vaurioituneen akun. LED-merkkivalo vilkkuu merkin osoittamalla tavalla. Jos havaitset tämän huonokuntoisen akun vilkkumistavan, lopeta akun lataaminen. Vie se huoltopalveluun tai kierrätyskeskukseen.

#### Kuuma-/kylmäviive

Kun laturi havaitsee liian kylmän tai kuumen akun, se käynnistää automaattisesti kuuma-/kylmäviiveen keskeyttäen latauksen, kunnes akku on saavuttanut normaalin lämpötilan. Tämän jälkeen laturi kytkee automaattisesti päälle akun lataustilan. Tämä toiminto takaa maksimaalisen akun käyttöiän.

Merkkivalo vilkkuu merkin osoittamalla tavalla.

#### Akun jättäminen laturiin

Akku voidaan jättää laturiin, jolloin LED-merkkivalo palaa

vakiona. Laturi säilyttää akun hyväkuntoisena ja täyteen ladattuna. Tämä laturi sisältää automaattisen viritystilan, joka tasoittaa tai tasapainottaa akun yksittäiset kennot sen huippusuorituskyvyn säilyttämiseksi. Akut tulee virittää viikoittain tai kun akun teho heikkenee normaalista tasosta. Voit käyttää automaattista viritystilaa asettamalla akun laturiin ja jättämällä sen laturiin vähintään 8 tunnin ajaksi.

### Tärkeää lataamiseen liittyvää tietoa

- ◆ Maksimaalinen käyttöikä ja paras suorituskyky saavutetaan, kun akkua ladataan ympäristölämpötilassa 18 ° – 24 °C. ÄLÄ lataa akkua alle +4.5 °C tai yli +40 °C ympäristölämpötilassa. Tämä on tärkeää akun vakavien vaurioiden välttämiseksi.
- ◆ Laturi ja akku voivat kuumentua lataamisen aikana. Tämä on normaalia, se ei ole merkki ongelmasta. Jotta akku jäähtyisi käytön jälkeen, vältä asettamasta laturia tai akkua lämpimään paikkaan, kuten metallisen suojan alle tai eristämättömään perävaunuun.
- ◆ Jos akku ei lataudu oikein:
  - ◆ Tarkista pistorasian toiminta liittämällä siihen lamppu tai jokin muu laite.
  - ◆ Tarkista, onko pistorasiaa yhdistetty valokyttimeen, joka katkaisee virran valojen sammuttamisen yhteydessä.
  - ◆ Siirrä laturi ja akku paikkaan, jossa ympäristölämpötila on noin 18 °C – 24 °C.
  - ◆ Jos latauksessa esiintyy ongelmia, vie työkalu, akku ja laturi paikalliseen huoltopalveluun.
- ◆ Akku on ladattava, kun se ei tuota enää riittävästi virtaa normaalien työtoimenpiteiden suorittamiseen. ÄLÄ JATKA käyttöä näissä olosuhteissa. Noudata latausohjeita. Myös osittain käytetty akku voidaan ladata, kun haittavaikutukset akkuun halutaan välttää.
- ◆ Johtavat vieraat esineet, kuten hiomapöly, metallisirut, teräsvilla, alumiinifolio tai metallihiukkasten kertymät, niihin kuitenkin rajoittumatta, tulee pitää poissa laturin aukoista. Irrota laturi virtalähteestä ennen sen puhdistusta.
- ◆ Älä anna laturin jäätyä tai upota sitä veteen tai muihin nesteisiin.

### Akun asentaminen ja irrottaminen työkalusta (kuva B)

**Varoitus!** Varmista, että lukituspainike (2) on kytketty ennen akun irrottamista tai asentamista kytkimen käytön estämiseksi. Akun asentaminen:

- ◆ Aseta akku (7) työkaluun, kunnes kuulet napsahduksen (kuva B)

### Akun irrottaminen työkalusta (kuva C)

- ◆ Paina akun vapautuspainiketta (8) kuvan mukaisesti (kuva C) ja vedä akku irti työkalusta.

### Käyttöohjeet

#### Liipaisin ja suunnanvaihtokytkin (kuva D)

- ◆ Pora kytketään PÄÄLLE ja POIS PÄÄLTÄ painamalla liipaisimesta (1) ja vapauttamalla se. Mitä syvemmälle liipaisin painetaan, sitä suurempi on poran nopeus.
- ◆ Suunnanvaihtokytkimellä (2) määritetään työkalun suunta ja sitä käytetään myös lukituspainikkeena.
- ◆ Voit asettaa eteenpäin kierron vapauttamalla liipaisimen ja painamalla vasemmalla puolella olevaa suunnanvaihtokytkintä.
- ◆ Voit asettaa taaksepäin kierron painamalla suunnanvaihtokytkimen vastakkaiseen suuntaan.

**Huomaa:** Kun säätöpainike asetetaan keskiasentoon, työkalu lukittuu pois päältä asentoon. Kun säätöpainikkeen asentoa muutetaan, vapautaa liipaisin.

#### Momentin säätäminen (kuva E)

Tässä työkalussa on momentin säätörengas (3) käyttötilan valitsemiseen ja momentin asettamiseksi ruuvien kiristämistä varten. Suuret ruuvit ja kovat työstömateriaalit edellyttävät suuremman momentin kuin pienemmät ruuvit ja pehmeämmät työstömateriaalit.

- ◆ Kun poraat puuta, metallia ja muovimateriaaleja, aseta säätörengas porausasentoon symboliin.
- ◆ Aseta säätörengas haluamaasi asetukseen ruuvausta varten. Jos et tiedä oikeaa asetusta, toimi seuraavasti:
- ◆ Aseta säätörengas matalimpaan momenttiasetukseen.
- ◆ Kiristä ensimmäinen ruuvi.
- ◆ Jos kytkin siirtyi asteittain ennen kuin haluttu tulos saavutetaan, lisää säätörenkaan asetusta ja jatka ruuvien kiristämistä. Toista, kunnes saavutat oikean asetuksen. Käytä tätä asetusta muiden ruuvien kohdalla.

#### Avaimeton istukka (kuva F)

**Varoitus!** Varmista, että lukituspainike (2) on kytketty ennen lisävarusteiden asentamista tai irrottamista kytkimen käytön estämiseksi.

Poranterän tai muun lisävarusteen kiinnittäminen:

- ◆ Tartu istukan (4) takapuoliskoon yhdellä kädellä ja kierrä toisella kädellä etupuoliskoa vastapäivään istukan päästä katsottuna.
- ◆ Aseta terä tai muu lisävaruste kokonaan istukkaan ja kiristä se tiukasti pitämällä istukan takapuoliskosta ja kiertämällä etupuoliskoa myötäpäivään istukan päästä katsottuna.

**Varoitus!** Älä yritä kiristää poranterää (tai muuta lisävarustetta) tarttumalla istukan etuosaan ja kytkemällä työkalu päälle. Istukka voi vaurioitua ja henkilövahinkoja tapahtua lisävarusteita vaihtaessa.

## Kaksivaihteinen järjestelmä (kuva G)

Poran kaksivaihteinen järjestelmä mahdollistaa vaihteen vaihtamisen monikäyttöisyyttä varten. Voit valita alhaisen nopeuden ja suuremman momenttiasetuksen (asento 1) kytkemällä työkalun pois päältä ja antamalla sen pysähtyä. Liu'uta vaihdepainike (5) istukasta pois päin. Voit valita suuren nopeuden ja alhaisen momenttiasetuksen (asento 2) kytkemällä työkalun pois päältä ja antamalla sen pysähtyä. Liu'uta vaihdepainike istukkaan päin.

**Huomaa:** Vaihdetta ei saa vaihtaa työkalun ollessa toiminnassa. Jos vaihteen vaihto on vaikeaa, varmista, että kaksivaihteisen järjestelmän painike on joko kokonaan etu- tai taka-asennossa.

## Poraaminen/ruuvaaminen

- ◆ Valitse eteenpäin- tai taaksepäin kiertö suunnanvaihtokytkimellä (2).
- ◆ Kytke työkalu päälle painamalla kytkintä (1). Työkalun nopeus riippuu siitä, miten syväälle kytkintä painetaan.
- ◆ Kytke työkalu pois päältä vapauttamalla kytkin.

## Vinkkejä optimaaliseen käyttöön

### Poraaminen

- ◆ Käytä ainoastaan teräviä poranteriä.
- ◆ Työstökappaletta tulee tukea oikeaoppisesti ja pitää paikoillaan turvallisuusohjeiden mukaisesti.
- ◆ Käytä asianmukaisia ja vaadittuja suojavarusteita turvallisuusohjeiden mukaisesti.
- ◆ Työalue tulee suojata ja sitä tulee ylläpitää turvallisuusohjeiden mukaisesti.
- ◆ Käytä poraa erittäin hitaasti kevyellä paineella, kunnes reikä on aloitettu terän pitämiseksi paikoillaan.
- ◆ Kohdista painetta suorassa linjassa terään. Käytä riittävää painetta, jotta terä etenee. Vältä kuitenkin liiallista painetta, jotta moottori ei leikkaisi kiinni ja terä vääntyisi.
- ◆ Pitele poraa tiukasti kahdella kädellä väännön hallitsemiseksi.
- ◆ KIINNI LEIKANNEEN PORAN LIIPASINTA EI SAA KYTKEÄ POIS PÄÄLTÄ JA PÄÄLLE SEN UUELLEEN KÄYNNISTÄMISEKSI. MUUTOIN PORA VOI VAURIOITUA.
- ◆ Kiinni leikkautuminen voidaan minimoida läpäisyn yhteydessä vähentämällä painetta ja poraamalla hitaasti reiän loppuosan läpi.
- ◆ Pidä moottori käynnissä, kun vedät terän pois poratusta reiästä. Tämä vähentää kiinnijuuutumista.
- ◆ Varmista, että kytkin kytkee poran päälle ja pois päältä.

### Puun poraaminen

Puuta voidaan porata käyttämällä samoja kierreporanteriä kuin metallia poratessa tai lapioporanteriä. Terien on oltava

teräviä ja ne on vedettävä ulos tiheään poraamisen aikana sirujen poistamiseksi uurteista.

### Metallin poraaminen

Käytä leikkuuöljyä metallin poraamisen aikana. Tämä ei koske valurautaa tai messinkiä, jotka on porattava kuivina. Parhaiten sopivat leikkuuöljyt ovat rikitetty leikkuuöljy ja laardiöljy.

### Kivimateriaalin poraaminen

Kivimateriaalia poratessa säätörengas (3) tulee asettaa iskuporauksen kohdalle kohdistamalla symboli merkintään. Liu'uta nopeudensäädintä (5) työkalun etuosaa kohti (2. vaihde).

### Ruuvaaminen

- ◆ Käytä aina tyypiltään ja kooltaan oikeanlaista ruuvauskärkeä.
- ◆ Jos ruuvien kiristäminen on vaikeaa, käytä voiteluaineena pientä määrää pesunestettä tai saippuaa.
- ◆ Pidä työkalua ja ruuvauskärkeä aina suorassa linjassa ruuviin nähden.

### Vianmääritys

Ongelma	Mahdollinen syy	Mahdollinen ratkaisu
Laite ei käynnisty.	Akkua ei ole ladattu.	Tarkista akun latausvaatimukset.
Akku ei lataudu.	Laturia ei ole kytketty pistorasiaan. Ympäristölämpötila on liian suuri tai alhainen.	Kytke laturi toimivaan pistorasiaan. Siirrä laturi ja akku yli 4,5 °C (40 °F) tai alle +40,5 °C (105 °F) ympäristölämpötilaan.
Laite sammuu äkkinäisesti.	Akun maksimilämpörajaa on saavutettu. Käyttöalueen ulkopuolella. (Akun maksimaalista käyttöikää varten se sammuu äkkinäisesti, kun virta loppuu)	Anna akun jäähtyä. Aseta laturiin ja anna latautua.

### Huolto

BLACK+DECKER-työkalu on tarkoitettu toimimaan pitkän aikajakson ajan minimaalisella ylläpidolla. Hyvä suorituskyky jatkuvassa käytössä riippuu työkalun ylläpidosta ja säännöllisestä puhdistamisesta.

Laturi ei vaadi ylläpitoa, ainoastaan säännöllistä puhdistusta.

**Varoitus!** Irrota akku työkalusta ennen työkalun huoltamista. Irrota laturi virtalähteestä ennen sen puhdistusta.

- ◆ Puhdista työkalun ja laturin tuuletusaukot säännöllisesti pehmeällä harjalla tai kuivalla liinalla.
- ◆ Puhdista moottorin kotelo säännöllisesti kostealla liinalla. Älä käytä hankaavia tai liuotinohjaisia puhdistusaineita.

- ◆ Avaa istukka säännöllisesti ja napauta sitä sen tyhjentämiseksi pölystä.

## Ympäristönsuojelu



Toimita tämä laite erilliskeräykseen. Tällä symbolilla merkityjä tuotteita ja akkuja ei saa hävittää tavallisen kotitalousjätteen mukana.

Tuotteissa ja akuissa on materiaaleja, jotka voidaan ottaa talteen tai kierrättää uudelleen käyttöä varten. Kierrätä sähkölaitteet ja akut paikallisten määräyksien mukaan. Lisätietoa on saatavilla osoitteessa [www.2helpU.com](http://www.2helpU.com)

## Tekniset tiedot

BCD003		
Jännite	$V_{DC}$	18
Kuormittamaton nopeus	Min <sup>-1</sup>	0 - 360/0 - 1400
Maksimimomentti	Nm	45
Istukan teho	mm	1-10
Maks. porausteho		
Teräs/villa/kivimateriaali	mm	10/25/10
Paino	kg	0,9

Laturi		90589867	906349**
Tulojännite	$V_{AC}$	230	230
Lähtöjännite	$V_{DC}$	18	18
Virta	mA	200	1A
Likimääräinen latausaika	Tuntia	3 - 11	1.5 - 4

Akku			BL1518
Jännite	$V_{DC}$		18
Kapasiteetti	Ah		1,5
Tyyppi			Li-Ion

Äänenpainetaso standardin EN 62841 mukaisesti:
Äänenpaine ( $L_{pA}$ ) 86,0 dB(A), epävarmuus (K) 5 dB(A)
Ääniteho ( $L_{WA}$ ) 97,0 dB(A), epävarmuus (K) 5 dB(A)

Kokonaistärinäarvot (triax-vektorisumma) standardin EN 62841 mukaisesti:
Betonin poraaminen ( $a_{h, D}$ ) 6,8 m/s <sup>2</sup> , epävarmuus (K) 1,5 m/s <sup>2</sup>
Metallin poraaminen ( $a_{h, D}$ ) 1,8 m/s <sup>2</sup> , epävarmuus (K) 1,5 m/s <sup>2</sup>

## EY-vaatimustenmukaisuusvakuutus

KONEDIREKTIIVI



BCD003 - Iskupora

Black & Decker vakuuttaa, että nämä kohdassa "tekniset tiedot" kuvatut tuotteet täyttävät seuraavat vaatimukset: 2006/42/EY, EN62841-1:2015, EN62841-2-1:2018+A11:2019.

Nämä tuotteet täyttävät lisäksi direktiivien 2014/30/EY ja 2011/65/EY vaatimukset. Pyydä lisätietoa ottamalla yhteyttä Black & Deckeriin seuraavaan osoitteeseen tai katso ohjekirjan takaosa.

Allekirjoittanut henkilö vastaa teknisen asiakirjan tiedoista ja tekee tämän vakuutuksen Black & Deckerin puolesta.

*Patrick Diepenbach*

Patrick Diepenbach  
Pääjohtaja, Benelux  
Black and Decker,  
Egide Walschaertsstraat 14-18  
2800 Mechelen, Belgia  
10/09/2021

## Takuu

Black & Decker on vakuuttunut tuotteidensa korkeasta laadusta ja tarjoaa kuluttajille 24 kuukauden takuun, joka astuu voimaan ostopäivänä. Takuu on lisäksi kuluttajan lailisiin oikeuksiin eikä vaikuta niihin. Tämä takuu on voimassa kaikissa EU- ja ETA-maissa.

Edellytyksenä takuun saamiselle on, että vaade täyttää Black & Decker ehdot ja että ostaja toimittaa ostosotitteen jälleennyijälle tai valtuutetulle huoltoliikkeelle.

Black & Deckerin 2 vuoden takuun ehdot ja lähimmän valtuutetun korjauspalvelun yhteystiedot ovat saatavilla osoitteessa [www.2helpU.com](http://www.2helpU.com) tai ottamalla yhteyttä paikalliseen Black & Deckerin toimipisteeseen tässä ohjekirjassa ilmoitettuihin osoitteisiin.

Käy verkkosivuillemme osoitteessa [www.blackanddecker.co.uk](http://www.blackanddecker.co.uk) ja rekisteröi uusi Black & Decker -tuotteesi saadaksesi tietoa uusista tuotteista ja erikoistarjouksista.

## Προβλεπόμενη χρήση

Το κρουστικό σας δράπανο BLACK+DECKER BCD003 έχει σχεδιαστεί για εφαρμογές βιδώματος και για διάτρηση σε ξύλο, μέταλλο και υλικά τοιχοποιίας. Αυτό το εργαλείο προορίζεται μόνο για καταναλωτική χρήση.

## Οδηγίες ασφαλείας

### Γενικές προειδοποιήσεις ασφαλείας για ηλεκτρικά εργαλεία



**Προειδοποίηση!** Διαβάστε όλες τις προειδοποιήσεις ασφαλείας, τις οδηγίες, τις απεικονίσεις και τις προδιαγραφές που συνοδεύουν αυτό το ηλεκτρικό εργαλείο. Η μη τήρηση οποιασδήποτε από τις οδηγίες που αναφέρονται πιο κάτω μπορεί να έχει ως αποτέλεσμα ηλεκτροπληξία, πυρκαγιά και/ή σοβαρό τραυματισμό.

**Φυλάξτε όλες τις προειδοποιήσεις και τις οδηγίες για μελλοντική αναφορά.** Ο όρος "ηλεκτρικό εργαλείο" που χρησιμοποιείται σε όλες τις παρακάτω προειδοποιήσεις, αναφέρεται είτε σε εργαλείο που λειτουργεί με ρεύμα δικτύου (ρεύματος - με καλώδιο) είτε σε εργαλείο που λειτουργεί με μπαταρία (μπαταρίας - χωρίς καλώδιο).

#### 1. Ασφάλεια χώρου εργασίας

- Διατηρείτε την περιοχή εργασίας καθαρή και καλά φωτισμένη.** Οι ατακτοποιήτοι ή σκοτεινοί χώροι γίνονται αιτίες ατυχημάτων.
- Μη χρησιμοποιείτε ηλεκτρικά εργαλεία σε περιβάλλον όπου υπάρχει κίνδυνος έκρηξης, π.χ. με παρουσία εύφλεκτων υγρών, αερίων ή σκόνης.** Τα ηλεκτρικά εργαλεία παράγουν σπινθήρες που μπορεί να προκαλέσουν ανάφλεξη της σκόνης ή των αναθυμιάσεων.
- Όταν χρησιμοποιείτε ηλεκτρικό εργαλείο κρατάτε μακριά παιδιά και τυχόν άλλα παρευρισκόμενα άτομα.** Παράγοντες που αποσπούν την προσοχή μπορεί να σας κάνουν να χάσετε τον έλεγχο.

#### 2. Ασφαλής χρήση ηλεκτρικού ρεύματος

- Το φως του καλωδίου του ηλεκτρικού εργαλείου πρέπει να ταιριάζει στην αντίστοιχη πρίζα. Σε καμία περίπτωση μην τροποποιήσετε το φως, με κανένα τρόπο. Μη χρησιμοποιείτε φως προσταρμολής με γειωμένα ηλεκτρικά εργαλεία.** Τα φως που δεν έχουν υποστεί τροποποιήσεις και οι κατάλληλες πρίζες μειώνουν τον κίνδυνο ηλεκτροπληξίας.
- Αποφεύγετε την επαφή του σώματος με γειωμένες επιφάνειες όπως σωλήνες, σώματα καλοριφέρ, κουζίνες και ψυγεία.** Υπάρχει αυξημένος κίνδυνος ηλεκτροπληξίας αν το σώμα σας είναι γειωμένο.

- Μην εκθέτετε τα ηλεκτρικά εργαλεία σε βροχή ή υγρασία.** Η διείσδυση νερού σε ένα ηλεκτρικό εργαλείο αυξάνει τον κίνδυνο ηλεκτροπληξίας.
- Μην κακομεταχειρίζεστε το καλώδιο. Ποτέ μη χρησιμοποιήσετε το καλώδιο για να μεταφέρετε, να τραβήξετε ή να αποσυνδέσετε από την πρίζα το ηλεκτρικό εργαλείο. Κρατάτε το καλώδιο μακριά από θερμότητα, λάδια, αιχμηρά άκρα ή κινούμενα μέρη.** Τα καλώδια που έχουν υποστεί ζημιά ή είναι μπερδεμένα αυξάνουν τον κίνδυνο ηλεκτροπληξίας.
- Όταν χρησιμοποιείτε το ηλεκτρικό εργαλείο σε εξωτερικούς χώρους, να χρησιμοποιείτε πάντοτε καλώδια επέκτασης κατάλληλα για χρήση σε εξωτερικούς χώρους.** Η χρήση καλωδίου κατάλληλου για εργασία σε εξωτερικούς χώρους μειώνει τον κίνδυνο ηλεκτροπληξίας.
- Εάν είναι αναπόφευκτη η χρήση ηλεκτρικού εργαλείου σε υγρή τοποθεσία, χρησιμοποιήστε μια Διάταξη προστασίας ρεύματος διαρροής (RCD).** Η χρήση μιας διάταξης RCD μειώνει τον κίνδυνο ηλεκτροπληξίας.

#### 3. Προσωπική ασφάλεια

- Όταν χρησιμοποιείτε ηλεκτρικό εργαλείο, να είστε προσεκτικοί, να δίνετε προσοχή στην εργασία που κάνετε και να επιστρατεύετε την κοινή λογική. Μη χρησιμοποιείτε ηλεκτρικό εργαλείο όταν είστε κουρασμένος/η ή υπό την επήρεια ναρκωτικών, οινόπνευματος ή φαρμακευτικής αγωγής.** Μια στιγμή απροσεξίας κατά τη χρήση ηλεκτρικών εργαλείων μπορεί να προκαλέσει σοβαρό τραυματισμό.
- Χρησιμοποιείτε εξοπλισμό ατομικής προστασίας. Πάντα φοράτε προστασία ματιών.** Ο εξοπλισμός προστασίας, όπως μάσκα κατά της σκόνης, αντιολισθητικά παπούτσια ασφαλείας, κράνος ή προστασία ακοής, όταν χρησιμοποιείται για τις κατάλληλες συνθήκες, θα μειώσει τους τραυματισμούς και τις σωματικές βλάβες.
- Εμποδίστε την ακούσια ενεργοποίηση του εργαλείου. Βεβαιωθείτε ότι ο διακόπτης βρίσκεται στη θέση απενεργοποίησης, πριν συνδέσετε το εργαλείο στην πηγή ρεύματος και/ή τοποθετήσετε το πακέτο μπαταρίας, καθώς και πριν πάρετε στα χέρια σας ή μεταφέρετε το εργαλείο.** Η μεταφορά ηλεκτρικών εργαλείων με το δάχτυλο πάνω στο διακόπτη ή η σύνδεση στο ρεύμα ηλεκτρικών εργαλείων με το διακόπτη στη θέση ενεργοποίησης, ενέχει κινδύνους ατυχημάτων.
- Πριν θέσετε το ηλεκτρικό εργαλείο σε λειτουργία, αφαιρέστε τυχόν εργαλεία ή κλειδιά ρύθμισης. Εάν αφήσετε ένα εργαλείο ή κλειδί πάνω σε κάποιο περιστρεφόμενο εξάρτημα του ηλεκτρικού εργαλείου, μπορεί να προκληθούν τραυματισμοί.**

- e. Μην τεντώνετε υπερβολικά. Διατηρείτε πάντα σταθερή στήριξη στα πόδια σας και καλή ισορροπία. Έτσι μπορείτε να έχετε καλύτερο έλεγχο του ηλεκτρικού εργαλείου σε μη αναμενόμενες καταστάσεις.
- f. Να είστε ενδεδυμένοι κατάλληλα. Μη φοράτε φαρδιά ρούχα ούτε κοσμήματα. Κρατάτε τα μαλλιά, τα ρούχα και τα γάντια σας μακριά από κινούμενα μέρη. Τα φαρδιά ρούχα, τα κοσμήματα και τα μακριά μαλλιά μπορούν να πιαστούν σε κινούμενα μέρη.
- g. Αν παρέχονται διατάξεις για τη σύνδεση εξοπλισμού απομάκρυνσης και συλλογής της σκόνης, να βεβαιώνετε ότι αυτές έχουν συνδεθεί και χρησιμοποιούνται σωστά. Η χρήση διατάξεων συλλογής της σκόνης μπορεί να μειώσει τους κινδύνους που προέρχονται από τη σκόνη.
- h. Μην αφήνετε την εξοικείωση που έχετε αποκτήσει από τη συχνή χρήση εργαλείων να σας επιτρέψει να εφησυχάσετε ώστε να αγνοείτε τις αρχές ασφαλούς χρήσης των εργαλείων. Μια απρόσεκτη ενέργεια μπορεί να προκαλέσει βαρύ τραυματισμό μέσα σε κλάσματα του δευτερολέπτου.
4. Χρήση και φροντίδα ηλεκτρικών εργαλείων
- a. Μην υπερφορτώνετε το ηλεκτρικό εργαλείο. Χρησιμοποιείτε το σωστό ηλεκτρικό εργαλείο για την εφαρμογή σας. Το σωστό ηλεκτρικό εργαλείο θα εκτελέσει την εργασία καλύτερα και ασφαλέστερα, με την ένταση χρήσης για την οποία σχεδιάστηκε.
- b. Μη χρησιμοποιείτε το ηλεκτρικό εργαλείο αν ο διακόπτης του δεν το ενεργοποιεί και απενεργοποιεί. Οποιοδήποτε ηλεκτρικό εργαλείο του οποίου η λειτουργία δεν μπορεί να ελεγχθεί με το διακόπτη είναι επικίνδυνο και πρέπει να επισκευαστεί.
- c. Αποσυνδέστε το φως από την πηγή ρεύματος και/ή αφαιρέστε το πακέτο μπαταρίας, αν είναι αποσπώμενο, από το ηλεκτρικό εργαλείο πριν πραγματοποιήσετε οποιοδήποτε ρυθμίσεις, αλλάξτε αξεσουάρ ή αποθηκεύσετε ηλεκτρικά εργαλεία. Τέτοια προληπτικά μέτρα ασφαλείας μειώνουν το κίνδυνο αθέλητης εκκίνησης του ηλεκτρικού εργαλείου.
- d. Να φυλάσσετε μακριά από παιδιά τα ηλεκτρικά εργαλεία που δεν χρησιμοποιείτε και μην αφήνετε να χρησιμοποιήσουν ηλεκτρικό εργαλείο άτομα που δεν είναι εξοικειωμένα με αυτό ή άτομα που δεν έχουν διαβάσει αυτές τις οδηγίες χρήσης. Τα ηλεκτρικά εργαλεία είναι επικίνδυνα στα χέρια μη εκπαιδευμένων χρηστών.
- e. Συντηρείτε τα ηλεκτρικά εργαλεία και τα αξεσουάρ. Ελέγχετε για προβλήματα ευθυγράμμισης ή για μάγκωμα των κινούμενων εξαρτημάτων, θραύση εξαρτημάτων, καθώς και για οποιοδήποτε άλλο πρόβλημα μπορεί να επηρεάσει τη λειτουργία των ηλεκτρικών εργαλείων. Αν το ηλεκτρικό εργαλείο έχει υποστεί ζημιά, φροντίστε να επισκευαστεί πριν το χρησιμοποιήσετε. Η ανεπαρκής συντήρηση των ηλεκτρικών εργαλείων αποτελεί αιτία πολλών ατυχημάτων.
- f. Διατηρείτε τα κοπτικά εργαλεία κοφτερά και καθαρά. Τα κοπτικά εργαλεία με κοφτερές κοπτικές αιχμές που συντηρούνται σωστά έχουν λιγότερες πιθανότητες να μαγκώσουν και ελέγχονται ευκολότερα.
- g. Να χρησιμοποιείτε τα ηλεκτρικά εργαλεία, τα αξεσουάρ, τις μύτες εργαλείων κλπ. σύμφωνα με τις παρούσες οδηγίες, λαμβάνοντας υπόψη σας τις συνθήκες εργασίας και την εργασία που θέλετε να εκτελέσετε. Η χρήση του ηλεκτρικού εργαλείου για εργασίες διαφορετικές από τις προβλεπόμενες θα μπορούσε να οδηγήσει σε επικίνδυνη κατάσταση.
- h. Διατηρείτε τις λαβές και τις επιφάνειες κρατήματος στεγνές, καθαρές και απαλλαγμένες από λάδι και γράσο. Οι ολισθηρές λαβές και επιφάνειες κρατήματος δεν επιτρέπουν τον ασφαλή χειρισμό και έλεγχο του εργαλείου σε μη αναμενόμενες καταστάσεις.
5. Χρήση και φροντίδα εργαλείων μπαταρίας (χρησιμοποιείται μόνο για εργαλεία μπαταρίας)
- a. Να επαναφορτίζετε μόνο με το φορτιστή που καθορίζει ο κατασκευαστής. Ένας φορτιστής που είναι κατάλληλος για ένα τύπο πακέτου μπαταρίας μπορεί να δημιουργήσει κίνδυνο πυρκαγιάς όταν χρησιμοποιείται με άλλο πακέτο μπαταρίας.
- b. Χρησιμοποιείτε τα ηλεκτρικά εργαλεία αποκλειστικά και μόνο με τα καθοριζόμενα πακέτα μπαταρίας. Η χρήση άλλων πακέτων μπαταρίας μπορεί να προκαλέσει κίνδυνο τραυματισμού και πυρκαγιάς.
- c. Όταν το πακέτο μπαταρίας δεν χρησιμοποιείται, μην το πλησιάζετε σε μεταλλικά αντικείμενα, όπως συνδετήρες, κέρματα, κλειδιά, καρφιά, βίδες ή άλλα μικρά μεταλλικά αντικείμενα που μπορούν να βραχυκυκλώσουν τους δύο ακροδέκτες του. Αν βραχυκυκλωθούν οι ακροδέκτες της μπαταρίας, μπορεί να προκληθούν εγκαύματα ή πυρκαγιά.
- d. Αν οι μπαταρίες υποστούν κακομεταχείριση, μπορεί να διαρρέσει υγρό. Αποφύγετε την επαφή. Αν κατά λάθος έρθετε σε επαφή, ξεπλύνετε με νερό. Σε περίπτωση που το υγρό έλθει σε επαφή με τα μάτια σας, ζητήστε επιπλέον και ιατρική βοήθεια. Το υγρό που εξέρχεται από την μπαταρία μπορεί να προκαλέσει ερεθισμούς ή εγκαύματα.
- e. Μη χρησιμοποιήσετε πακέτο μπαταρίας ή εργαλείο που έχει υποστεί ζημιά ή τροποποίηση. Οι μπαταρίες που έχουν υποστεί ζημιά ή τροποποίηση μπορεί να έχουν απρόβλεπτη συμπεριφορά, με αποτέλεσμα φωτιά, έκρηξη ή κίνδυνο τραυματισμού.

f. Μην εκθέσετε ένα πακέτο μπαταρίας ή εργαλείο σε φωτιά ή υπερβολική θερμοκρασία. Η έκθεση σε φωτιά ή σε θερμοκρασία πάνω από 130 °C μπορεί να προκαλέσει έκρηξη. ΣΗΜΕΙΩΣΗ: Η θερμοκρασία "130 °C" μπορεί να αντικατασταθεί από τη θερμοκρασία "265 °F".

g. Τηρείτε όλες τις οδηγίες φόρτισης και μη φορτίζετε το πακέτο μπαταρίας ή το εργαλείο εκτός των ορίων θερμοκρασίας που ορίζονται στις προδιαγραφές. Η ακατάλληλη φόρτιση ή η φόρτιση σε θερμοκρασίες εκτός των προβλεπόμενων ορίων μπορεί να προξενήσει ζημιά στην μπαταρία και να αυξήσει τον κίνδυνο φωτιάς.

## 6. Σέρβις

- a. Το σέρβις του ηλεκτρικού σας εργαλείου πρέπει να αναλαμβάνει έμπειρος τεχνικός που θα χρησιμοποιεί μόνο γνήσια ανταλλακτικά. Έτσι θα εξασφαλίσετε τη διατήρηση της ασφάλειας του ηλεκτρικού εργαλείου.
- b. Ποτέ μην κάνετε σέρβις σε πακέτα μπαταρίας που έχουν υποστεί ζημιά. Το σέρβις των πακέτων μπαταρίας πρέπει να γίνεται μόνο από τον κατασκευαστή ή από εξουσιοδοτημένους παρόχους σέρβις (χρησιμοποιείται μόνο για εργαλεία μπαταρίας).

## Οδηγίες ασφαλείας για όλες τις εργασίες

- Φοράτε προστατευτικά ακοής κατά την κρουστική διάτρηση. Η έκθεση σε θόρυβο μπορεί να προκαλέσει απώλεια ακοής.
- Κρατάτε το ηλεκτρικό εργαλείο από μονωμένες επιφάνειες κρατήματος όταν εκτελείτε κάποια εργασία κατά την οποία το αξεσουάρ κοπής ή το στοιχείο στρέψωσης μπορεί να έρθει σε επαφή με αθέατα καλώδια. Αν αξεσουάρ κοπής ή το στοιχείο στρέψωσης έρθει σε επαφή με καλώδιο υπό τάση, μπορεί να τεθούν υπό ηλεκτρική τάση και τα εκτεθειμένα μεταλλικά μέρη του ηλεκτρικού εργαλείου και να προκληθεί ηλεκτροπληξία στον χειριστή.

## Οδηγίες ασφαλείας για την περίπτωση χρήσης τρυπανιών μεγάλου μήκους

- Ποτέ μη χρησιμοποιείτε ταχύτητα υψηλότερη από τη μέγιστη ονομαστική ταχύτητα του τρυπανιού. Σε υψηλότερες ταχύτητες, το τρυπάνι είναι πιθανό να λυγίσει αν επιτραπεί να περιστραφεί ελεύθερα χωρίς να είναι σε επαφή με το αντικείμενο εργασίας, με αποτέλεσμα τραυματισμό.
- Πάντα να ξεκινάτε τη διάτρηση σε χαμηλή ταχύτητα και με τη μύτη του τρυπανιού σε επαφή με το αντικείμενο εργασίας. Σε υψηλότερες ταχύτητες, το τρυπάνι είναι πιθανό να λυγίσει αν επιτραπεί να περιστραφεί ελεύθερα χωρίς να είναι σε επαφή με το αντικείμενο εργασίας, με αποτέλεσμα τραυματισμό.

- Εφαρμόζετε πίεση μόνο σε ευθεία γραμμή με το τρυπάνι και μην εφαρμόζετε υπερβολική πίεση. Τα τρυπάνια μπορεί να λυγίσουν προκαλώντας θραύση ή απώλεια του ελέγχου με αποτέλεσμα τραυματισμό.

## Πρόσθετες προειδοποιήσεις ασφαλείας για δράπανο/ καταβίδι/ κρουστικό δράπανο

- Χρησιμοποιείτε σφιγκτήρες ή άλλο πρακτικό τρόπο για να στερεώνετε και να στηρίζετε το αντικείμενο εργασίας σε σταθερό υπόβαθρο. Αν κρατάτε το αντικείμενο εργασίας με το χέρι σας ή κόντρα στο σώμα σας, αυτό δεν είναι σταθερό και μπορεί να προκληθεί απώλεια ελέγχου.
- Τα αξεσουάρ και το εργαλείο μπορεί να αποκτήσουν υψηλή θερμοκρασία κατά τη λειτουργία. Φοράτε γάντια όταν τα χειρίζεστε, αν εκτελείτε εργασίες κατά τις οποίες παράγεται θερμότητα όπως η διάτρηση μετάλλων.
- Τα ανοίγματα αερισμού συχνά καλύπτουν κινούμενα μέρη και θα πρέπει να αποφεύγονται. Τα ρούχα με φαρδιά εφαρμογή, τα κοσμήματα και τα μακριά μαλλιά μπορούν να πιαστούν σε κινούμενα μέρη.
- Φοράτε γυαλιά ασφαλείας ή άλλη προστασία των ματιών. Οι εργασίες κρούσης και διάτρησης προκαλούν την εκτίναξη θραυσμάτων. Τα εκτινασσόμενα σωματίδια μπορούν να προκαλέσουν μόνιμη βλάβη στα μάτια.
- Φοράτε προστατευτικά ακοής κατά την κρουστική διάτρηση. Η έκθεση σε θόρυβο μπορεί να προκαλέσει απώλεια ακοής.
- Χρησιμοποιείτε τη(τις) βοηθητική(-ές) λαβή(-ές) αν παρέχεται(-ονται) μαζί με το εργαλείο. Η απώλεια ελέγχου μπορεί να προκαλέσει τραυματισμό.
- Μη χρησιμοποιείτε το εργαλείο αυτό για παρατεταμένα χρονικά διαστήματα. Οι κραδασμοί που προκαλούνται από τη δράση του εργαλείου μπορεί να είναι επιβλαβείς για τα χέρια και τους βραχίονές σας. Χρησιμοποιείτε γάντια για πρόσθετη προστατευτική δράση και περιορίζετε την έκθεση κάνοντας συχνά διαλείμματα ξεκούρασης.

## Ασφάλεια τρίτων

- Αυτή η συσκευή μπορεί να χρησιμοποιηθεί από παιδιά ηλικίας 8 ετών και άνω καθώς και από άτομα με μειωμένες σωματικές, αισθητηριακές ή διανοητικές ικανότητες ή άτομα χωρίς εμπειρία και γνώσεις, μόνο εφόσον επιτηρούνται ή τους έχουν δοθεί οδηγίες σχετικά με την ασφαλή χρήση της συσκευής και έχουν κατανοήσει τους πιθανούς κινδύνους.
- Τα παιδιά δεν πρέπει να παίζουν με τη συσκευή. Ο καθαρισμός και η συντήρηση από το χρήστη δεν πρέπει να γίνονται από παιδιά χωρίς επίβλεψη.

## Υπολειπόμενοι κίνδυνοι

Πρόσθετοι υπολειπόμενοι κίνδυνοι μπορεί να προκύψουν κατά τη χρήση του εργαλείου που ενδεχομένως δεν



περιλαμβάνεται στις εσωκλειόμενες προειδοποιήσεις ασφαλείας. Αυτοί οι κίνδυνοι μπορούν να προκύψουν από κακή χρήση, παρατεταμένη χρήση κλπ. Ακόμα και με την εφαρμογή των σχετικών κανονισμών ασφαλείας και την εφαρμογή διατάξεων ασφαλείας, ορισμένοι υπολειπόμενοι κίνδυνοι δεν μπορούν να αποφευχθούν. Σ' αυτούς περιλαμβάνονται:

- ◆ Τραυματισμοί λόγω επαφής με οποιαδήποτε περιστρεφόμενα/κινούμενα μέρη.
- ◆ Τραυματισμοί κατά την αλλαγή οποιωνδήποτε εξαρτημάτων, λεπίδων ή αξεσουάρ.
- ◆ Τραυματισμοί από παρατεταμένη χρήση ενός εργαλείου. Όταν χρησιμοποιείτε οποιοδήποτε εργαλείο για παρατεταμένες περιόδους, να βεβαιώνεστε ότι κάνετε τακτικά διαλείμματα.
- ◆ Βλάβη της ακοής.
- ◆ Κίνδυνοι για την υγεία προκαλούμενοι από την εισπνοή σκόνης που παράγεται κατά τη χρήση του εργαλείου (παράδειγμα:- εργασία με ξύλο, ειδικά βελανιδιάς, οξιάς και MDF).

### Κραδασμοί

Οι δηλωθείσες τιμές εκπομπών κραδασμών που αναφέρονται στα τεχνικά δεδομένα και στη δήλωση συμμόρφωσης έχουν μετρηθεί σύμφωνα με τυποποιημένη μέθοδο δοκιμής που παρέχεται από το πρότυπο EN 62841 και μπορεί να χρησιμοποιηθεί για σύγκριση ενός εργαλείου με ένα άλλο. Η δηλωθείσα τιμή εκπομπής κραδασμών μπορεί να χρησιμοποιηθεί και σε προκαταρκτική αξιολόγηση της έκθεσης.



**Προειδοποίηση!** Η τιμή εκπομπής κραδασμών κατά τη χρήση του ηλεκτρικού εργαλείου στην πράξη μπορεί να διαφέρει από τη δηλωθείσα τιμή ανάλογα με τους τρόπους χρήσης του εργαλείου. Το επίπεδο κραδασμών μπορεί να αυξηθεί πάνω από το αναφερόμενο επίπεδο.

Κατά τον προσδιορισμό της έκθεσης σε κραδασμούς για τον καθορισμό των απαιτούμενων μέτρων ασφαλείας σύμφωνα με την οδηγία 2002/44/EK για την προστασία προσώπων που χρησιμοποιούν συχνά ηλεκτρικά εργαλεία στην εργασία τους, μια προσεγγιστική εκτίμηση της έκθεσης σε κραδασμούς πρέπει να λαμβάνει υπόψη τις πραγματικές συνθήκες χρήσης και τον τρόπο χρήσης του εργαλείου, συμπεριλαμβανομένων και όλων των επιμέρους τμημάτων του κύκλου εργασίας, όπως τα χρονικά διαστήματα που το εργαλείο ήταν εκτός λειτουργίας και τα διαστήματα λειτουργίας χωρίς φορτίο, επιπλέον του χρόνου πίεσης της σκανδάλης.

### Ετικέτες πάνω στο εργαλείο

Το εργαλείο φέρει τα παρακάτω σύμβολα μαζί με τον κωδικό ημερομηνίας:



**Προειδοποίηση!** Για να μειωθεί ο κίνδυνος τραυματισμού, ο χρήστης πρέπει να διαβάσει το εγχειρίδιο οδηγιών.



Φοράτε προστατευτικά ακοής κατά την εργασία με κρουστικά δράπανα. Η έκθεση σε θόρυβο μπορεί να προκαλέσει απώλεια ακοής.



Μην κοιτάζετε απ' ευθείας τη λάμπα λειτουργίας

### Πρόσθετες οδηγίες ασφαλείας για μπαταρίες και φορτιστές

#### Μπαταρίες

- Ποτέ μην επιχειρήσετε να ανοίξετε το προϊόν για κανένα λόγο.
- Μην εκθέτετε την μπαταρία σε νερό.
- Μην εκθέτετε την μπαταρία σε θερμότητα.
- Μην αποθηκεύετε σε τοποθεσίες όπου η θερμοκρασία ενδέχεται να υπερβαίνει τους 40 °C.
- Να φορτίζετε μόνο σε θερμοκρασίες περιβάλλοντος μεταξύ 10 °C και 40 °C.
- Η φόρτιση πρέπει να γίνεται μόνο με το φορτιστή που παρέχεται μαζί με τη συσκευή/εργαλείο.
- Όταν απορρίπτετε τις μπαταρίες, ακολουθήστε τις οδηγίες που δίνονται στην ενότητα "Προστασία του περιβάλλοντος".
- Μην καταστρέψετε/παράμορφωνετε το πακέτο μπαταρίας είτε τρυπώντας ή χτυπώντας την, διότι μπορεί να προκληθεί κίνδυνος τραυματισμού ή πυρκαγιάς.
- Μη φορτίζετε τις κατεστραμμένες μπαταρίες.
- Κάτω από ακραίες συνθήκες, μπορεί να επέλθει διαρροή υγρών μπαταρίας. Αν παρατηρήσετε υγρό πάνω στις μπαταρίες, σκουπίστε το προσεκτικά με ένα πανί. Αποφύγετε την επαφή με το δέρμα.
- Στην περίπτωση επαφής με το δέρμα ή τα μάτια, ακολουθήστε τις παρακάτω οδηγίες.



**Προειδοποίηση!** Το υγρό της μπαταρίας μπορεί να προκαλέσει σωματικές βλάβες ή υλικές ζημιές. Σε περίπτωση επαφής με το δέρμα, ξεπλύνετε αμέσως με άφθονο νερό. Αν παρουσιαστεί κοκκίνισμα του δέρματος, πόνος ή ερεθισμός, ζητήστε ιατρική βοήθεια. Σε περίπτωση επαφής με τα μάτια, ξεπλύνετε αμέσως με καθαρό νερό και ζητήστε ιατρική βοήθεια.

#### Φορτιστές

Ο φορτιστής σας είναι σχεδιασμένος για συγκεκριμένη ηλεκτρική τάση. Ελέγχετε πάντα ότι η τάση ρεύματος δικτύου συμφωνεί με αυτήν που αναγράφεται στην πινακίδα τεχνικών χαρακτηριστικών.



**Προειδοποίηση!** Ποτέ μην επιχειρήσετε να αντικαταστήσετε τη μονάδα φορτιστή με κανονικό φως ρεύματος δικτύου.

- Ο φορτιστής πρέπει να χρησιμοποιείται αποκλειστικά και μόνο για τη φόρτιση της μπαταρίας του εργαλείου το οποίο συνοδεύει. Άλλες μπαταρίες ενδέχεται να εκραγούν, προκαλώντας τραυματισμό ατόμων και ζημιές.
- Μην επιχειρήσετε ποτέ να φορτίσετε μη επαναφορτιζόμενες μπαταρίες.
- Αν το καλώδιο ρεύματος έχει υποστεί φθορά, αυτό πρέπει να αντικατασταθεί από τον κατασκευαστή ή από ένα εξουσιοδοτημένο Κέντρο Σέρβις, για να αποφεύγετε κίνδυνο.
- Να φροντίζετε να αντικαθίστανται άμεσα τα καλώδια που έχουν υποστεί ζημιά.
- Μην εκθέτετε το φορτιστή σε νερό.
- Μην ανοίγετε το φορτιστή.
- Μην εισάγετε οποιαδήποτε αντικείμενα μέσα στο φορτιστή.
- Κατά τη φόρτιση, η συσκευή/το εργαλείο/η μπαταρία πρέπει να βρίσκεται σε καλά αεριζόμενο χώρο.



Ο φορτιστής προορίζεται για χρήση μόνο σε εσωτερικούς χώρους.

### Ασφάλεια χρήσης ηλεκτρικού ρεύματος



Ο φορτιστής σας φέρει διπλή μόνωση. Επομένως, δεν απαιτείται αγωγός γείωσης. Ελέγχετε πάντα ότι η τάση ρεύματος δικτύου συμφωνεί με αυτήν που αναγράφεται στην πινακίδα τεχνικών χαρακτηριστικών. Ποτέ μην επιχειρήσετε να αντικαταστήσετε τη μονάδα φορτιστή με κανονικό φως ρεύματος δικτύου.

- ◆ Αν το καλώδιο ρεύματος έχει υποστεί ζημιά, πρέπει να αντικατασταθεί από τον κατασκευαστή ή εξουσιοδοτημένο κέντρο σέρβις BLACK+DECKER, για την αποφυγή κινδύνων.

### Χαρακτηριστικά

Αυτό το εργαλείο διαθέτει μερικά από ή όλα τα παρακάτω χαρακτηριστικά.

1. Διακόπτης ρύθμισης ταχύτητας
2. Συρόμενος επιλογέας κίνησης εμπρός/πίσω
3. Κολάρο ρύθμισης ροπής
4. Αυτόματο τσοκ
5. Σύστημα γραναζιών διπλού εύρους ταχυτήτων
6. Φως εργασίας LED
7. Μπαταρία
8. Κουμπί απελευθέρωσης μπαταρίας

### Συναρμολόγηση

#### Χρήση

**Προειδοποίηση!** Αφήνετε το εργαλείο να λειτουργεί με το δικό της ρυθμό. Μην το υπερφορτώνετε.

#### Φόρτιση της μπαταρίας (εικ. A1, A2)

Η μπαταρία πρέπει να φορτιστεί πριν την πρώτη χρήση και όποτε αδυνατεί να παρέχει επαρκή ισχύ σε εργασίες η εκτέλεση των οποίων ήταν προγενέστερα εύκολη. Η μπαταρία μπορεί να θερμαίνεται κατά τη φόρτιση. Κάτι τέτοιο είναι φυσιολογικό και δεν υποδηλώνει πρόβλημα.

**Προειδοποίηση!** Μη φορτίζετε την μπαταρία σε θερμοκρασίες περιβάλλοντος κάτω από 10 °C ή πάνω από 40 °C. Η συνιστώμενη θερμοκρασία φόρτισης είναι περίπου 24 °C.

**Σημείωση: Ο φορτιστής δεν θα φορτίσει μια μπαταρία με θερμοκρασία κυψέλης κάτω από περίπου 10 °C ή πάνω από 40 °C.**

**Η μπαταρία θα πρέπει να παραμείνει στο φορτιστή και αυτός θα αρχίσει να τη φορτίζει αυτόματα μόλις η θερμοκρασία κυψέλης αυξηθεί ή μειωθεί αντίστοιχα.**

- ◆ Συνδέστε το φορτιστή (9) σε οποιαδήποτε κανονική πρίζα ρεύματος 230 V 50 Hz.
- ◆ Τοποθετήστε το πακέτο μπαταρίας (7) μέσα στο φορτιστή όπως δείχνει η εικ. A1, A2.

Η λυχνία LED (9a) θα αναβοσβήνει υποδεικνύοντας ότι η μπαταρία φορτίζεται.

Η ολοκλήρωση της φόρτισης υποδεικνύεται από τη λυχνία LED (9a) η οποία παραμένει αναμμένη συνεχώς. Το πακέτο μπαταρίας είναι πλήρως φορτισμένο και μπορεί να χρησιμοποιηθεί άμεσα ή να παραμείνει στο φορτιστή.

**Προειδοποίηση!** Κίνδυνος φωτιάς. Όταν αφαιρείτε την μπαταρία από το φορτιστή, να βεβαιώνετε ότι πρώτα αφαιρείτε το φορτιστή από την πρίζα, και κατόπιν να αφαιρείτε την μπαταρία από το φορτιστή.

#### Διαγνωστικά φορτιστή

Αυτός ο φορτιστής έχει σχεδιαστεί να ανιχνεύει ορισμένα προβλήματα που μπορεί να προκύψουν με τα πακέτα μπαταριών ή την πηγή ρεύματος. Τα προβλήματα υποδεικνύονται από μια λυχνία LED που αναβοσβήνει με διαφορετικά μοτίβα αναλαμπών.

#### Προβληματική μπαταρία

Ο φορτιστής μπορεί να ανιχνεύσει ότι μια μπαταρία είναι εξασθενημένη ή έχει υποστεί ζημιά. Η λυχνία LED αναβοσβήνει με το μοτίβο αναλαμπών που υποδεικνύεται στην ετικέτα. Αν δείτε αυτό το μοτίβο αναλαμπών που αντιστοιχεί σε προβληματική μπαταρία, μη συνεχίσετε τη φόρτιση της μπαταρίας. Επιστρέψτε την σε κέντρο σέρβις ή σε θέση συλλογής για ανακύκλωση.

**Καθυστέρηση θερμού/ ψυχρού πακέτου**

Αν ο φορτιστής ανιχνεύσει μπαταρία με υπερβολικά υψηλή ή χαμηλή θερμοκρασία, ξεκινά αυτόματα μια Καθυστέρηση θερμού/ψυχρού πακέτου μπαταρίας, αναστέλλοντας τη φόρτιση έως ότου η μπαταρία έχει φθάσει σε κατάλληλη θερμοκρασία. Αφού συμβεί αυτό, ο φορτιστής μεταβαίνει αυτόματα σε λειτουργία φόρτισης του πακέτου. Αυτή η λειτουργία διασφαλίζει τη μέγιστη διάρκεια ζωής της μπαταρίας.

Η λυχνία αναβοσβήνει με το μοτίβο αναλαμπών που υποδεικνύεται στην ετικέτα.

**Παραμονή της μπαταρίας στο φορτιστή**

Ο φορτιστής και το πακέτο μπαταρίας μπορούν να παραμείνουν συνδεδεμένα επ' αόριστον με τη λυχνία LED αναμμένη. Ο φορτιστής θα διατηρεί το πακέτο μπαταρίας σε βέλτιστη κατάσταση και πλήρως φορτισμένο. Αυτός ο φορτιστής διαθέτει μια αυτόματη λειτουργία συντήρησης η οποία εξισώνει ή εξισορροπεί τα μεμονωμένα στοιχεία στο πακέτο μπαταρίας για να επιτρέπει στο πακέτο μπαταρίας να λειτουργεί σε μέγιστη χωρητικότητα. Τα πακέτα μπαταρίας πρέπει να υποβάλλονται στη διαδικασία συντήρησης κάθε εβδομάδα ή όταν η μπαταρία δεν παρέχει πλέον το ίδιο αποτέλεσμα όπως παλαιότερα. Για να χρησιμοποιήσετε τη λειτουργία αυτόματης συντήρησης, τοποθετήστε το πακέτο μπαταρίας στο φορτιστή και αφήστε το εκεί για τουλάχιστον 8 ώρες.

**Σημαντικές επισημάνσεις για τη φόρτιση**

- ◆ Μπορείτε να επιτύχετε την καλύτερη δυνατή διάρκεια ζωής και τη μέγιστη απόδοση εάν φορτίζετε το πακέτο μπαταρίας σε θερμοκρασία 18 °C - 24 °C. ΜΗ φορτίσετε το πακέτο μπαταρίας σε θερμοκρασίες αέρα που είναι μικρότερες από +4,5 °C ή μεγαλύτερες από +40 °C. Αυτό είναι σημαντικό και θα αποτρέψει τη σοβαρή βλάβη του πακέτου μπαταρίας.
- ◆ Ο φορτιστής και το πακέτο μπαταρίας μπορεί να θερμανθούν αισθητά κατά τη φόρτιση. Αυτό είναι κανονικό χαρακτηριστικό της λειτουργίας και όχι ένδειξη προβλήματος. Για να διευκολύνετε την ψύξη του πακέτου μπαταρίας μετά τη χρήση, αποφεύγετε να τοποθετείτε το φορτιστή ή το πακέτο μπαταρίας σε θερμό περιβάλλον, όπως σε μεταλλικό παράπηγμα ή σε μη μονωμένο τρέιλερ.
- ◆ Αν το πακέτο μπαταρίας δεν φορτίζεται σωστά:
  - ◆ Ελέγξτε τη λειτουργία της πρίζας συνδέοντας ένα φωτιστικό ή άλλη συσκευή.
  - ◆ Ελέγξτε μήπως η πρίζα συνδέεται σε διακόπτη που διακόπτει το ρεύμα όταν σβήνεται τα φώτα.
  - ◆ Μετακινήστε το φορτιστή και το πακέτο μπαταρίας σε θέση όπου η θερμοκρασία αέρα περιβάλλοντος είναι περίπου 18 °C – 24 °C.

- ◆ Αν τα προβλήματα φόρτισης επιμένουν, παραδώστε το εργαλείο, το πακέτο μπαταρίας και το φορτιστή στο τοπικό σας κέντρο σέρβις.
- ◆ Το πακέτο μπαταρίας πρέπει να επαναφορτίζεται όταν δεν είναι σε θέση να παράγει επαρκή ισχύ σε εργασίες που γίνοντουσαν εύκολα πιο πριν. ΜΗ ΣΥΝΕΧΙΣΤΕ τη χρήση υπό αυτές τις συνθήκες. Ακολουθήστε τη διαδικασία φόρτισης. Μπορείτε επίσης να φορτίσετε όποτε επιθυμείτε ένα πακέτο μπαταρίας που δεν έχει εξαντληθεί πλήρως, χωρίς αυτό να έχει αρνητικές συνέπειες.
- ◆ Ξένα υλικά αγωγίσιμης φύσης, όπως είναι, αλλά χωρίς να περιορίζονται σε, σκόνη από εργασίες λείανσης, μεταλλικά ρινίσματα, σύρμα τριψίματος, αλουμινοχάρτο ή οποιαδήποτε συσσωρευση μεταλλικών σωματιδίων πρέπει να κρατάτε μακριά από τις κοιλότητες του φορτιστή. Αποσυνδέστε το φορτιστή από την πρίζα πριν επιχειρήσετε να τον καθαρίσετε.
- ◆ Μην παγώσετε ή βυθίσετε το τροφοδοτικό σε νερό ή οποιοδήποτε άλλο υγρό.

**Τοποθέτηση και αφαίρεση του πακέτου μπαταρίας από το εργαλείο (εικ. Β)**

**Προειδοποίηση!** Πριν την αφαίρεση ή την τοποθέτηση της μπαταρίας, βεβαιωθείτε ότι έχετε χρησιμοποιήσει το κουμπί ασφαλίσης (2), για να αποφεύγετε ενεργοποίηση του διακόπτη.

Για να εγκαταστήσετε το πακέτο μπαταρίας:

- ◆ Εισαγάγετε το πακέτο μπαταρίας (7) στο εργαλείο, έως ότου ακούσετε χαρακτηριστικό ήχο κλικ (εικ. Β)

**Αφαίρεση του πακέτου μπαταρίας από το εργαλείο (εικ. Β)**

- ◆ Πατήστε το κουμπί απελευθέρωσης της μπαταρίας (8) όπως δείχνει η (εικ. C) και τραβήξτε το πακέτο μπαταρίας έξω από το εργαλείο.

**Οδηγίες χρήσης****Διακόπτης σκανδάλης και κουμπί αντιστροφής κίνησης (εικ. D)**

- ◆ Ενεργοποιείτε και απενεργοποιείτε το δράπανο πατώντας και αφήνοντας αντίστοιχα το διακόπτη σκανδάλης (1). Όσο περισσότερο πατάτε τη σκανδάλη, τόσο ταχύτερα λειτουργεί το δράπανο.
- ◆ Το κουμπί ελέγχου κίνησης εμπρός/όπισθεν (2) καθορίζει την κατεύθυνση περιστροφής του εργαλείου και επίσης χρησιμεύει ως κουμπί ασφαλίσης στην απενεργοποιημένη κατάσταση.
- ◆ Για να επιλέξετε περιστροφική κίνηση προς τα εμπρός, απελευθερώστε το διακόπτη σκανδάλης και πιέστε το κουμπί ελέγχου κίνησης εμπρός/όπισθεν προς τα αριστερά.

- ♦ Για να επιλέξετε την αντίθετη κατεύθυνση κίνησης, μετακινήστε το κουμπί ελέγχου κίνησης εμπρός/όπισθεν στην αντίθετη κατεύθυνση.

**Σημείωση:** Η μεσαία θέση του κουμπιού ελέγχου ασφαλίζει το εργαλείο στη θέση απενεργοποίησης. Όταν αλλάζετε τη θέση του κουμπιού ελέγχου, να βεβαιώνεστε ότι έχει ελευθερωθεί η σκανδάλη.

### Έλεγχος της ροπής (εικ. Ε)

Αυτό το εργαλείο είναι εξοπλισμένο με ένα κολάρο (3) για την επιλογή τρόπου λειτουργίας και για τη ρύθμιση της ροπής, όταν σφίγγετε βίδες. Οι μεγάλες βίδες και τα σκληρά τεμάχια εργασίας χρειάζονται μεγαλύτερη ρύθμιση ροπής από τις μικρές βίδες και τα μαλακά τεμάχια εργασίας.

- ♦ Για διάτρηση σε ξύλο, μέταλλο και πλαστικά, ρυθμίστε το κολάρο στη θέση με το σύμβολο της διάτρησης
- ♦ Για βίδωμα, ρυθμίστε το κολάρο στην επιθυμητή ρύθμιση. Αν δεν γνωρίζετε ακόμη την κατάλληλη ρύθμιση, συνεχίστε ως εξής:
- ♦ Τοποθετήστε το κολάρο στη χαμηλότερη ρύθμιση ροπής.
- ♦ Σφίξτε την πρώτη βίδα.
- ♦ Αν ο συμπλέκτης αποσυμπλέκεται πριν επιτύχετε το επιθυμητό αποτέλεσμα, αυξήστε τη ρύθμιση του κολάρου και συνεχίστε τη σύσφιξη της βίδας. Επαναλάβετε μέχρι να επιτύχετε τη σωστή ρύθμιση. Χρησιμοποιήστε την ίδια ρύθμιση και για τις υπόλοιπες βίδες.

### Αυτόματο τσοκ (εικ. F)

**Προειδοποίηση!** Πριν την αφαίρεση ή την τοποθέτηση αξεσουάρ, βεβαιωθείτε ότι έχετε χρησιμοποιήσει το κουμπί ασφάλισης (2), για να αποφύγετε ενεργοποίηση του διακόπτη.

Για να τοποθετήσετε ένα τρυπάνι ή άλλο αξεσουάρ:

- ♦ Πιάστε το πίσω μισό του τσοκ (4) με το ένα χέρι και χρησιμοποιήστε το άλλο χέρι για να περιστρέψετε το μπροστινό μισό σε αριστερόστροφη κατεύθυνση όπως το βλέπετε από την πλευρά του τσοκ.
- ♦ Τοποθετήστε τη μύτη ή άλλο αξεσουάρ τελείως μέσα στο τσοκ και σφίξτε το τσοκ καλά κρατώντας το πίσω μισό του τσοκ και περιστρέφοντας το μπροστινό τμήμα δεξιόστροφα όπως φαίνεται από την πλευρά του τσοκ.

**Προειδοποίηση!** Μην επιχειρήσετε να σφίξετε τρυπάνια (ή οποιοδήποτε άλλο αξεσουάρ) πιάνοντας το μπροστινό μέρος του τσοκ και ενεργοποιώντας το εργαλείο. Μπορεί να προκληθεί ζημιά στο τσοκ και τραυματισμός κατά την αλλαγή των αξεσουάρ με αυτόν τον τρόπο.

### Σύστημα γραναζιών διπλού εύρους ταχυτήτων (Εικόνα G)

Το χαρακτηριστικό διπλής περιοχής του δράπανου σας επιτρέπει να αλλάζετε ταχύτητες για μεγαλύτερη ευελιξία χρήσης. Για να επιλέξετε τη ρύθμιση χαμηλής ταχύτητας, υψηλής ροπής (θέση 1), απενεργοποιήστε το εργαλείο και

αφήστε το να σταματήσει. Μετακινήστε το κουμπί επιλογής ταχύτητας (5) σε κατεύθυνση αντίθετη του τσοκ. Για να επιλέξετε τη ρύθμιση υψηλής ταχύτητας, χαμηλής ροπής (θέση 2), απενεργοποιήστε το εργαλείο και αφήστε το να σταματήσει.

Μετακινήστε το κουμπί επιλογής ταχύτητας προς την κατεύθυνση του τσοκ.

**Σημείωση:** Μην αλλάζετε ταχύτητα με το εργαλείο εν κινήσει. Αν δυσκολεύεστε στην αλλαγή ταχυτήτων, βεβαιωθείτε ότι το κουμπί διπλής περιοχής ταχυτήτων έχει μετακινηθεί είτε τελείως μπροστά είτε τελείως πίσω.

### Διάτρηση/βίδωμα

- ♦ Επιλέξτε περιστροφική κίνηση εμπρός ή όπισθεν χρησιμοποιώντας το συρόμενο κουμπί κίνησης εμπρός/όπισθεν (2).
- ♦ Για να ενεργοποιήσετε το εργαλείο, πιέστε το διακόπτη (1). Η ταχύτητα λειτουργίας του εργαλείου εξαρτάται από το πόσο πιέζετε το διακόπτη.
- ♦ Για να απενεργοποιήσετε το εργαλείο, ελευθερώστε το διακόπτη.

### Συμβουλές για βέλτιστη χρήση

#### Διάτρηση

- ♦ Χρησιμοποιείτε μόνο αιχμηρά τρυπάνια.
- ♦ Υποστηρίξτε και στερεώστε σωστά το τεμάχιο εργασίας, όπως υποδεικνύεται στις Οδηγίες ασφαλείας.
- ♦ Χρησιμοποιείτε τον κατάλληλο και απαιτούμενο εξοπλισμό ασφαλείας, όπως υποδεικνύεται στις οδηγίες ασφαλείας.
- ♦ Προστατεύετε και διατηρείτε σε καλή κατάσταση την περιοχή εργασίας, σύμφωνα με τις Οδηγίες ασφαλείας.
- ♦ Ξεκινάτε τη διάτρηση με πολύ μικρή ταχύτητα, χρησιμοποιώντας μόνο μικρή πίεση, έως ότου ξεκινήσει η σπή και επαρκεί να συγκρατεί το τρυπάνι χωρίς να κινδυνεύει να γλιστρήσει έξω από αυτή.
- ♦ Πάντα εφαρμόζετε πίεση σε ευθεία γραμμή με το τρυπάνι. Ασκήστε όση πίεση χρειάζεται για να μπορεί η μύτη να διατρήσει το αντικείμενο, όχι όμως σε υπερβολικό βαθμό γιατί υπάρχει κίνδυνος να κολλήσει το μοτέρ ή να παραμορφωθεί η μύτη.
- ♦ Κρατάτε το τρυπάνι καλά και με τα δύο χέρια ώστε να ελέγχετε την κίνηση συστροφής του.
- ♦ ΑΝ ΤΟ ΔΡΑΠΑΝΟ ΑΚΙΝΗΤΟΠΟΙΗΘΕΙ, ΜΗΝ ΠΑΤΑΤΕ ΚΑΙ ΑΦΗΝΕΤΕ ΤΗ ΣΚΑΝΔΑΛΗ ΠΡΟΣΠΑΘΩΝΤΑΣ ΝΑ ΤΟ ΘΕΣΕΤΕ ΠΑΛΙ ΣΕ ΚΙΝΗΣΗ. ΜΠΟΡΕΙ ΝΑ ΠΡΟΚΛΗΘΕΙ ΖΗΜΙΑ ΣΤΟ ΔΡΑΠΑΝΟ.
- ♦ Ελαχιστοποιήστε το ενδεχόμενο κολλήματος μειώνοντας την πίεση και τρυπώντας αργά στο τελευταίο τμήμα της σπής.

- ◆ Διατηρήστε το μοτέρ σε λειτουργία καθώς τραβάτε τη μύτη τρυπανιού από την οπή διάτρησης. Αυτό θα βοηθήσει να αποτραπεί το σφηνώμα.
- ◆ Βεβαιωθείτε ότι ο διακόπτης ενεργοποιεί και απενεργοποιεί το δρόπανο.

### Διάτρηση σε ξύλο

Οι οπές στο ξύλο μπορούν να γίνουν με τις ίδιες ελικοειδείς μύτες τρυπανιού που χρησιμοποιούνται μέταλλο ή με επίπεδες μύτες. Αυτές οι μύτες θα πρέπει να είναι αιχμηρές και να τις τραβάτε έξω συχνά κατά τη διάτρηση ώστε να φεύγουν τα πριονίδια από τις αυλακώσεις τους.

### Διάτρηση σε μέταλλο

Χρησιμοποιείτε λιπαντικό κοπής κατά τη διάτρηση μετάλλων. Εξαιρέσεις είναι ο χυτοσίδηρος και ο ορείχαλκος όπου πρέπει να γίνεται ξηρή διάτρηση. Τα πιο αποτελεσματικά λιπαντικά κοπής είναι το θειωμένο λάδι κοπής και το λαρδί.

### Διάτρηση σε υλικά τοιχοποιίας

Για διάτρηση σε υλικά τοιχοποιίας ρυθμίστε το κολάρο (3) στη θέση κρουστικής διάτρησης, ευθυγραμμίζοντας το σύμβολο με την ένδειξη.

Μετακινήστε τον επιλογέα ταχύτητας (5) προς το μπροστινό μέρος του εργαλείου (2η ταχύτητα).

### Βίδωμα

- ◆ Χρησιμοποιείτε πάντα μύτες κατασαβιδιού του κατάλληλου τύπου και μεγέθους.
- ◆ Εάν συναντήσετε δυσκολία κατά τη σύσφιξη βιδών, δοκιμάστε να χρησιμοποιήσετε μικρή ποσότητα υγρού πλυσίματος ή σαπουνιού για λίπανση.
- ◆ Πάντοτε να κρατάτε το εργαλείο και τη μύτη κατασαβιδιού σε ευθεία γραμμή με τη βίδα

### Αντιμετώπιση προβλημάτων

Πρόβλημα	Πιθανή αιτία	Πιθανή λύση
Η μονάδα δεν τίθεται σε λειτουργία.	Το πακέτο μπαταρίας δεν είναι φορτισμένο.	Ελέγξτε τις απαιτήσεις φόρτισης του πακέτου μπαταρίας
Το πακέτο μπαταρίας δεν φορτίζεται.	Ο φορτιστής δεν έχει συνδεθεί στην πρίζα. Η θερμοκρασία αέρα περιβάλλοντος είναι πολύ θερμή ή πολύ ψυχρή.	Συνδέστε το φορτιστή σε πρίζα που λειτουργεί. Μετακινήστε το φορτιστή και την μπαταρία σε θέση με θερμοκρασία αέρα περιβάλλοντος πάνω από 4,5 °C (40 °F) και κάτω από 40,5 °C (105 °F)

Πρόβλημα	Πιθανή αιτία	Πιθανή λύση
Η μονάδα σβήνει ξαφνικά.	Το πακέτο μπαταρίας έχει φθάσει στο όριο μέγιστης θερμοκρασίας του.  Εκτός φόρτισης. (Για να μειωστοποιηθεί η διάρκεια ζωής του, το πακέτο μπαταρίας έχει σχεδιαστεί να απενεργοποιείται άμεσα όταν εξαντληθεί η φόρτίσή του)	Αφήστε το πακέτο μπαταρίας να κρυώσει.  Τοποθετήστε το στο φορτιστή και αφήστε το να φορτιστεί.

### Συντήρηση

Το ηλεκτρικό σας εργαλείο BLACK+DECKER έχει σχεδιαστεί να λειτουργεί για μεγάλη χρονική περίοδο με ελάχιστη συντήρηση. Η συνεχής ικανοποιητική λειτουργία εξαρτάται από τη σωστή φροντίδα και τον τακτικό καθαρισμό του εργαλείου. Ο φορτιστής σας δεν χρειάζεται καμία άλλη συντήρηση πέραν του τακτικού καθαρισμού.

**Προειδοποίηση!** Πριν πραγματοποιήσετε οποιαδήποτε συντήρηση στο εργαλείο, αφαιρέστε την μπαταρία από το εργαλείο. Αποσυνδέετε το φορτιστή από την πρίζα πριν τον καθαρίσετε.

- ◆ Να καθαρίζετε τακτικά τις εγκοπές εξαερισμού του εργαλείου και του φορτιστή με μια μαλακή βούρσα ή με ένα στεγνό πανί.
- ◆ Να καθαρίζετε τακτικά το περιβλήμα του μοτέρ με ένα ελαφρά υγρό πανί. Μη χρησιμοποιείτε καθαριστικά που χαράζουν ή περιέχουν διαλύτες.
- ◆ Να ανοίγεται τακτικά το τσοκ και να το χτυπάτε ελαφρά για να αφαιρείται η σκόνη από το εσωτερικό του.

### Προστασία του περιβάλλοντος



Χωριστή συλλογή. Τα προϊόντα και οι μπαταρίες που επισημαίνονται με αυτό το σύμβολο δεν πρέπει να απορρίπτονται μαζί με τα κανονικά οικιακά απορρίμματα.

Τα προϊόντα και οι μπαταρίες περιέχουν υλικά που μπορούν να ανακτηθούν ή να ανακυκλωθούν, ώστε να μειωθούν οι ανάγκες για πρώτες ύλες. Παρακαλούμε να ανακυκλώνετε τα ηλεκτρικά προϊόντα και τις μπαταρίες σύμφωνα με τους τοπικούς κανονισμούς. Περισσότερες πληροφορίες διατίθενται στον ιστότοπο [www.2helpU.com](http://www.2helpU.com)

### Τεχνικά δεδομένα

		BCD003
Τάση	V <sub>DC</sub>	18
Στροφές χωρίς φορτίο	min <sup>-1</sup>	0 - 360/0 - 1400
Μέγ. ροπή	Nm	45
Μέγεθος τσοκ	mm	1-10
Μέγ. διατηρητική ικανότητα		

		BCD003
Χάλυβας/ξύλο/υλικά τοιχοποιίας	mm	10/25/10
Βάρος	kg	0,9

Φορτιστής		905902**	906349**
Τάση εισόδου	$V_{BC}$	230	230
Τάση εξόδου	$V_{BC}$	18	18
Ρεύμα	mA	400	1A
Χρόνος φόρτισης, περ.	Ωρες	3 - 11	1.5 - 4

Μπαταρία		BL1518
Τάση	$V_{BC}$	18
Χωρητικότητα	Ah	1.5
Τύπος		Li-Ion

Στάθμη ηχητικής πίεσης σύμφωνα με το πρότυπο EN 62841:
Ηχητική πίεση ( $L_{pA}$ ) 86,0 dB(A), αβεβαιότητα (K) 5 dB(A)
Ηχητική ισχύς ( $L_{WA}$ ) 97,0 dB(A), αβεβαιότητα (K) 5 dB(A)

Συνολικές τιμές κραδασμών (άθροισμα διανυσμάτων τριών αξόνων) σύμφωνα με το EN 62841:
Κρουστική διάτρηση σε σκυρόδεμα ( $a_{h, id}$ ) 6,8 m/s <sup>2</sup> , αβεβαιότητα (K) 1,5 m/s <sup>2</sup>
Κρουστική διάτρηση σε μέταλλο ( $a_{h, m}$ ) 1,8 m/s <sup>2</sup> , αβεβαιότητα (K) 1,5 m/s <sup>2</sup>

## Δήλωση συμμόρφωσης ΕΚ ΟΔΗΓΙΑ ΣΧΕΤΙΚΑ ΜΕ ΤΑ ΜΗΧΑΝΗΜΑΤΑ



BCD003 - Κρουστικό δράπανο

Η Black & Decker δηλώνει ότι τα προϊόντα αυτά που περιγράφονται στα «Τεχνικά στοιχεία» βρίσκονται σε συμμόρφωση με:

2006/42/ΕΚ, EN62841-1:2015, EN62841-2-1:2018+A11:2019.

Αυτά τα προϊόντα συμμορφώνονται και με την Οδηγία 2014/30/ΕΕ και 2011/65/ΕΕ. Για περισσότερες πληροφορίες, απευθυνθείτε στη Black & Decker στη διεύθυνση που ακολουθεί ή ανατρέξτε στο πίσω μέρος του εγχειριδίου.

Ο υπογράφων είναι υπεύθυνος για τη σύνταξη του τεχνικού φακέλου και υποβάλλει τη δήλωση για λογαριασμό της Black & Decker.

*Patrick Diepenbach*

Patrick Diepenbach  
Γενικός Διευθυντής, Μπενελούξ  
Black and Decker,  
Egide Walschaertsstraat 14-18  
2800 Mechelen, Belgium (Βέλγιο)  
10/09/2021

## Εγγύηση

Η Black & Decker είναι σίγουρη για την ποιότητα των προϊόντων της και προσφέρει στους καταναλωτές εγγύηση 24 μηνών από την ημερομηνία αγοράς. Αυτή η εγγύηση συμπληρώνει και με κανένα τρόπο δεν παραβλάπτει τα νόμιμα δικαιώματά σας. Η εγγύηση ισχύει εντός της επικράτειας των χωρών μελών της Ευρωπαϊκής Ένωσης και της Ευρωπαϊκής Ζώνης Ελευθέρων Συναλλαγών.

Για να υποβάλετε αξίωση βάσει της εγγύησης, η αξίωση θα πρέπει να είναι σύμφωνη με τους Όρους και προϋποθέσεις της Black & Decker και θα χρειαστεί να υποβάλετε απόδειξη αγοράς στον πωλητή ή σε εξουσιοδοτημένο αντιπρόσωπο επισκευών.

Μπορείτε να αποκτήσετε τους Όρους και προϋποθέσεις της εγγύησης της Black & Decker διάρκειας 2 ετών και να μάθετε την τοποθεσία του πλησιέστερου εξουσιοδοτημένου αντιπροσώπου επισκευών στο Internet στο [www.2helpU.com](http://www.2helpU.com), ή επικοινωνώντας με το τοπικό σας γραφείο Black & Decker στη διεύθυνση που υποδεικνύεται στο παρόν εγχειρίδιο.

Επισκεφθείτε τον ιστότοπό μας [www.blackanddecker.gr](http://www.blackanddecker.gr) για να καταχωρίσετε το νέο σας προϊόν Black & Decker και για να λαμβάνετε ενημερώσεις για νέα προϊόντα και ειδικές προσφορές.



<b>België/Belgique/Luxembourg</b> www.blackanddecker.be enduser.be@sbdinc.com	Stanley Black & Decker Belgium BVBA Egide Walschaertsstraat 16 2800 Mechelen	Tel. NL +32 15 47 37 65 Tel. FR +32 15 47 37 66 Fax. +32 15 47 37 99
<b>Danmark</b>	Black & Decker Roskildevej 22 2620 Albertslund	kundeservice.dk@sbdinc.com www.blackanddecker.dk
<b>Deutschland</b> www.blackanddecker.de infobfge@sbdinc.com	Stanley Black & Decker Deutschland GmbH Black & Decker Str. 40, D - 65510 Idstein	Tel. 06126 21-0 Fax 06126 21-2980
<b>Ελλάδα</b> www.blackanddecker.gr greece.service@sbdinc.com	Stanley Black & Decker (ΕΛΛΑΣ) Ε.Π.Ε ΓΡΑΦΕΙΑ: Σπυρίδωνος 7 & Βουλιαγμένης 166 74 Γλυφάδα - Αθήνα	Τηλ. 210-8981616 Φαξ 210-8983570
<b>SERVICE:</b>	Ημερος Τόπος 2 -Χάνι Αδάμ 193 00 Ασπρόπυργος - Αθήνα	Τηλ. Service 210-8985208 Φαξ 210-5597598
<b>España</b> www.blackanddecker.es respuesta.posventa@sbdinc.co	Stanley Black & Decker Ibérica, S.C.A. Parc de Negocis "Mas Blau" Edificio Muntadas, c/Bergadà, 1, Of. A6 08820 El Prat de Llobregat (Barcelona)	Tel. 934 797 400 Fax 934 797 419
<b>France</b> www.blackanddecker.fr	Black & Decker (France) S.A.S. 5 allée des Hêtres B.P. 30084 69579 Limonest Cédex	Tel. 04 72 20 39 20 Fax 04 72 20 39 00
<b>Helvetia</b> www.blackanddecker.ch service@rofoag.ch	ROFO AG Gewerbezone Seeblick 3213 Kleinbödingen	Tel. 026-6749393 Fax 026-6749394
<b>Italia</b> www.blackanddecker.it service.italia@sbdinc.com	Stanley Black & Decker Italia Via Energypark 6 20871 Vimercate (MB)	Tel. 039-9590200 Fax 039-9590313 Numero verde 800-213935
<b>Nederland</b> www.blackanddecker.nl enduser.nl@sbdinc.com	Stanley Black & Decker Netherlands BV Holtum Noordweg 35, 6121 RE BORN Postbus 83, 6120 AB BORN	Tel. +31 164 283 065 Fax +31 164 283 200
<b>Norge</b>	Black & Decker Postboks 4613, Nydalen 0405 Oslo	kundeservice.no@sbdinc.com www.blackanddecker.no
<b>Österreich</b> www.blackanddecker.at service.austria@sbdinc.com	Stanley Black & Decker Austria GmbH Oberlaaerstraße 248, A-1230 Wien	Tel. 01 66116-0 Fax 01 66116-614
<b>Portugal</b> www.blackanddecker.pt resposta.posvenda@sbdinc.com	Black & Decker Limited SARL Quinta da Fonte - Edifício Q55 D. Diniz Rua dos Malhães, 2 e 2A - Piso 2 Esquerdo 2770 - 071 Paço de Arcos	Tel. 214667500 Fax 214667580
<b>Suomi</b>	Black & Decker PL47 00521, Helsinki	asiakaspalvelu.fi@sbdinc.com www.blackanddecker.fi
<b>Sverige</b>	Black & Decker AB Box 94, 431 22 Mölndal	kundserservice.se@sbdinc.com www.blackanddecker.se
<b>Türkiye</b> www.blackanddecker.com.tr	KALE Hirdavat ve Makina A.Ş. Defterdar Mah. Savaklar Cad. No:15 Edirnekapı / Eyüp / İstanbul 34050	Tel. 0212 533 52 55 Fax. 0212 533 10 05
<b>United Kingdom &amp; Republic Of Ireland</b> www.blackanddecker.co.uk emeaservice@sbdinc.com	Black & Decker 270 Bath Road Slough, Berkshire SL1 4DX	Tel. 01753 511234 Fax 01753 512365
<b>Middle East &amp; Africa</b> www.blackanddecker.ae service.meas@sbdinc.com	Black & Decker P.O.Box - 17164 Jebel Ali Free Zone (South), Dubai, UAE	Tel. +971 4 8863030 Fax +971 4 8863333