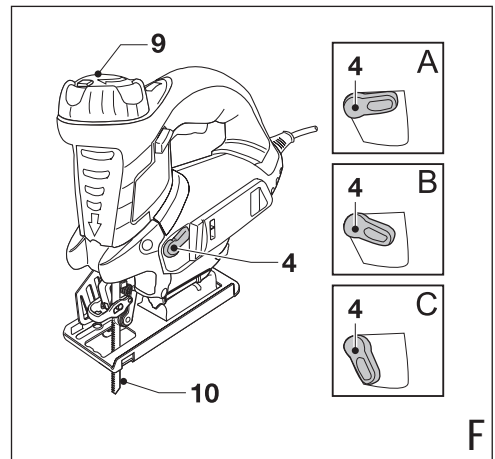
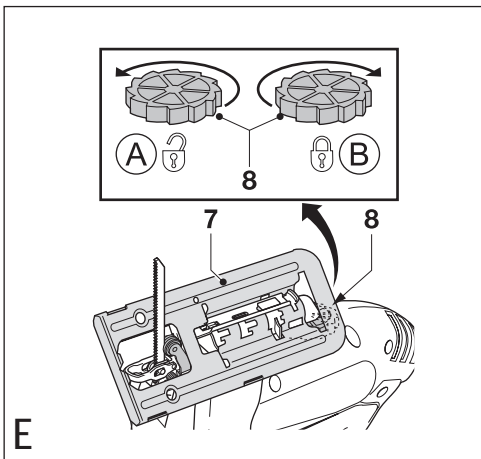
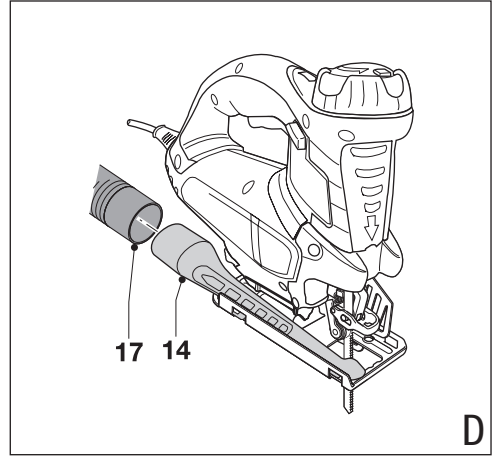
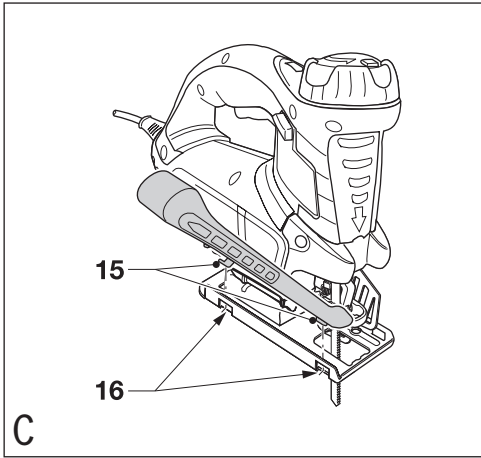
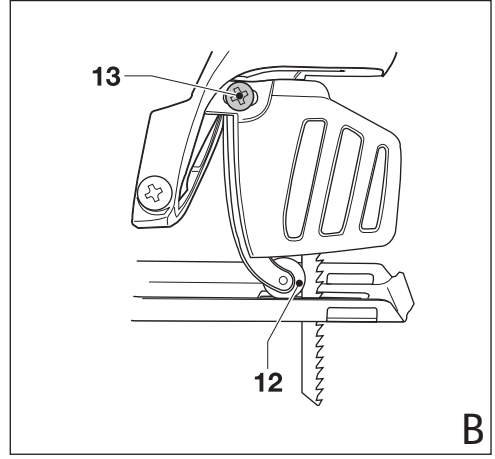
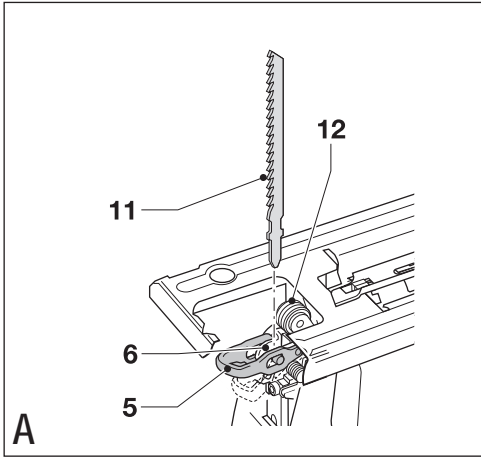
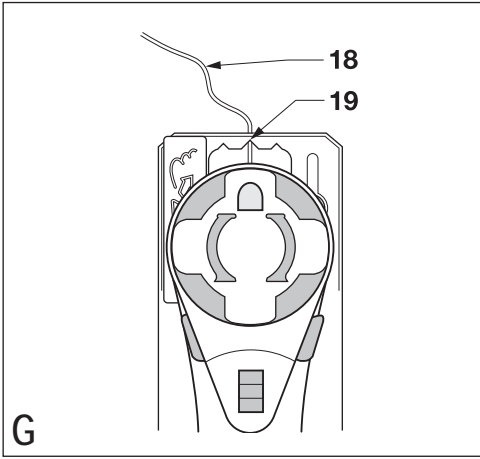


English	(Original instructions)	5
Deutsch	(Übersetzung der Originalanleitung)	10
Français	(Traduction des instructions d'origine)	16
Italiano	(Traduzione delle istruzioni originali)	21
Nederlands	(Vertaling van de originele instructies)	26
Español	(Traducción de las instrucciones originales)	31
Português	(Tradução das instruções originais)	37
Svenska	(Översättning av de ursprungliga anvisningarna)	43
Norsk	(Oversettelse av de opprinnelige instruksjonene)	48
Dansk	(Oversættelse af de originale instruktioner)	53
Suomi	(Alkuperäisten ohjeiden käännös)	58
Ελληνικά	(Μετάφραση των αρχικών οδηγιών)	63





Intended use

Your Black & Decker jigsaw has been designed for sawing wood, plastics and sheet metal. This tool is intended for consumer use only.

Safety instructions

General power tool safety warnings



Warning! Read all safety warnings and all instructions. Failure to follow the warnings and instructions listed below may result in electric shock, fire and/or serious injury.

Save all warnings and instructions for future reference.

The term "power tool" in all of the warnings listed below refers to your mains operated (corded) power tool or battery operated (cordless) power tool.

1. **Work area safety**
 - a. **Keep work area clean and well lit.** Cluttered or dark areas invite accidents.
 - b. **Do not operate power tools in explosive atmospheres, such as in the presence of flammable liquids, gases or dust.** Power tools create sparks which may ignite the dust or fumes.
 - c. **Keep children and bystanders away while operating a power tool.** Distractions can cause you to lose control.
2. **Electrical safety**
 - a. **Power tool plugs must match the outlet. Never modify the plug in any way.** Do not use any adapter plugs with earthed (grounded) power tools. Unmodified plugs and matching outlets will reduce risk of electric shock.
 - b. **Avoid body contact with earthed or grounded surfaces such as pipes, radiators, ranges and refrigerators.** There is an increased risk of electric shock if your body is earthed or grounded.
 - c. **Do not expose power tools to rain or wet conditions.** Water entering a power tool will increase the risk of electric shock.
 - d. **Do not abuse the cord. Never use the cord for carrying, pulling or unplugging the power tool. Keep cord away from heat, oil, sharp edges or moving parts.** Damaged or entangled cords increase the risk of electric shock.
 - e. **When operating a power tool outdoors, use an extension cord suitable for outdoor use.** Use of a cord suitable for outdoor use reduces the risk of electric shock.
 - f. **If operating a power tool in a damp location is unavoidable, use a residual current device (RCD) protected supply.** Use of an RCD reduces the risk of electric shock.
3. **Personal safety**
 - a. **Stay alert, watch what you are doing and use common sense when operating a power tool. Do not use a power tool while you are tired or under the influence of drugs, alcohol or medication.** A moment of inattention while operating power tools may result in serious personal injury.
 - b. **Use personal protective equipment. Always wear eye protection.** Protective equipment such as dust mask, non-skid safety shoes, hard hat, or hearing protection used for appropriate conditions will reduce personal injuries.
 - c. **Prevent unintentional starting. Ensure the switch is in the off-position before connecting to power source and/or battery pack, picking up or carrying the tool.** Carrying power tools with your finger on the switch or energising power tools that have the switch on invites accidents.
 - d. **Remove any adjusting key or wrench before turning the power tool on.** A wrench or a key left attached to a rotating part of the power tool may result in personal injury.
 - e. **Do not overreach. Keep proper footing and balance at all times.** This enables better control of the power tool in unexpected situations.
 - f. **Dress properly. Do not wear loose clothing or jewellery. Keep your hair, clothing and gloves away from moving parts.** Loose clothes, jewellery or long hair can be caught in moving parts.
 - g. **If devices are provided for the connection of dust extraction and collection facilities, ensure these are connected and properly used.** Use of dust collection can reduce dust-related hazards.
4. **Power tool use and care**
 - a. **Do not force the power tool. Use the correct power tool for your application.** The correct power tool will do the job better and safer at the rate for which it was designed.
 - b. **Do not use the power tool if the switch does not turn it on and off.** Any power tool that cannot be controlled with the switch is dangerous and must be repaired.
 - c. **Disconnect the plug from the power source and/or the battery pack from the power tool before making any adjustments, changing accessories, or storing power tools.** Such preventive safety measures reduce the risk of starting the power tool accidentally.
 - d. **Store idle power tools out of the reach of children and do not allow persons unfamiliar with the power tool or these instructions to operate the power tool.** Power tools are dangerous in the hands of untrained users.
 - e. **Maintain power tools. Check for misalignment or binding of moving parts, breakage of parts and any other condition that may affect the power tools operation. If damaged, have the power tool repaired before use.** Many accidents are caused by poorly maintained power tools.

- f. **Keep cutting tools sharp and clean.** Properly maintained cutting tools with sharp cutting edges are less likely to bind and are easier to control.
 - g. **Use the power tool, accessories and tool bits etc., in accordance with these instructions, taking into account the working conditions and the work to be performed.** Use of the power tool for operations different from those intended could result in a hazardous situation.
5. Service
- a. **Have your power tool serviced by a qualified repair person using only identical replacement parts.** This will ensure that the safety of the power tool is maintained.

Additional power tool safety warnings



Warning! Additional safety warnings for jigsaws and reciprocating saws

- ◆ **Hold power tool by insulated gripping surfaces, when performing an operation where the cutting accessory may contact hidden wiring or its own cord.** Cutting accessory contacting a "live" wire may make exposed metal parts of the power tool "live" and could give the operator an electric shock.
- ◆ **Use clamps or another practical way to secure and support the workpiece to a stable platform.** Holding the work by hand or against your body leaves it unstable and may lead to loss of control.
- ◆ **Keep hands away from cutting area.** Never reach underneath the work piece for any reason. Do not insert fingers or thumb into the vicinity of the reciprocating blade and blade clamp. Do not stabilize the saw by gripping the shoe.
- ◆ **Keep blades sharp.** Dull or damaged blades may cause the saw to swerve or stall under pressure. Always use the appropriate type of saw blade for the workpiece material and type of cut.
- ◆ When cutting pipe or conduit, make sure that they are free from water, electrical wiring, etc.
- ◆ Do not touch the workpiece or the blade immediately after operating the tool. They can become very hot.
- ◆ Be aware of hidden hazards, before cutting into walls, floors or ceilings, check for the location of wiring and pipes.
- ◆ The blade will continue to move after releasing the switch. Always switch the tool off and wait for the saw blade to come to a complete standstill before putting the tool down.

Warning! Contact with, or inhalation of dusts arising from cutting applications may endanger the health of the operator and possible bystanders. Wear a dust mask specifically designed for protection against dust and fumes and ensure that persons within or entering the work area are also protected.

- ◆ This tool is not intended for use by persons (including

children) with reduced physical, sensory or mental capabilities, or lack of experience and knowledge, unless they have been given supervision or instruction concerning use of the appliance by a person responsible for their safety. Children should be supervised to ensure that they do not play with the appliance.

- ◆ The intended use is described in this instruction manual. The use of any accessory or attachment or performance of any operation with this tool other than those recommended in this instruction manual may present a risk of personal injury and/or damage to property.

Safety of others

- ◆ This appliance is not intended for use by persons (including children) with reduced physical, sensory or mental capabilities, or lack of experience and knowledge, unless they have been given supervision or instruction concerning use of the appliance by a person responsible for their safety.
- ◆ Children should be supervised to ensure that they do not play with the appliance.

Residual risks.

Additional residual risks may arise when using the tool which may not be included in the enclosed safety warnings. These risks can arise from misuse, prolonged use etc.

Even with the application of the relevant safety regulations and the implementation of safety devices, certain residual risks can not be avoided. These include:

- ◆ **Injuries caused by touching any rotating/moving parts.**
- ◆ **Injuries caused when changing any parts, blades or accessories.**
- ◆ **Injuries caused by prolonged use of a tool. When using any tool for prolonged periods ensure you take regular breaks.**
- ◆ **Impairment of hearing.**
- ◆ **Health hazards caused by breathing dust developed when using your tool (example:- working with wood, especially oak, beech and MDF.)**

Vibration

The declared vibration emission values stated in the technical data and the declaration of conformity have been measured in accordance with a standard test method provided by EN 60745 and may be used for comparing one tool with another. The declared vibration emission value may also be used in a preliminary assessment of exposure.

Warning! The vibration emission value during actual use of the power tool can differ from the declared value depending on the ways in which the tool is used. The vibration level may increase above the level stated.

When assessing vibration exposure to determine safety measures required by 2002/44/EC to protect persons regularly using power tools in employment, an estimation of vibration exposure should consider, the actual conditions of use and the way the tool is used, including taking account of all parts of the operating cycle such as the times when the tool is switched off and when it is running idle in addition to the trigger time.

Labels on tool

The following pictograms are shown on the tool:



Warning! To reduce the risk of injury, the user must read the instruction manual.

Electrical safety



This tool is double insulated; therefore no earth wire is required. Always check that the power supply corresponds to the voltage on the rating plate.

- ◆ If the supply cord is damaged, it must be replaced by the manufacturer or an authorised Black & Decker Service Centre in order to avoid a hazard.

Features

This tool includes some or all of the following features.

1. On/off switch
2. Lock-on button
3. Variable speed control knob
4. Mode selector switch
5. Saw blade locking lever
6. Saw blade holder
7. Shoe plate
8. Shoe plate locking knob
9. Scroll knob
10. Saw blade storage compartment

Assembly

Warning! Before assembly, make sure that the tool is switched off and unplugged.

Fitting the saw blade (fig. A)

- ◆ Hold the saw blade (11) as shown, with the teeth facing forward.
- ◆ Push the lever (5) downwards.
- ◆ Insert the shank of the saw blade into the blade holder (6) as far as it will go.
- ◆ Release the lever.
- ◆ Adjust the blade support roller as described below.

Adjusting the blade support roller (fig. A & B)

After fitting the blade, you need to adjust the blade support roller (12).

- ◆ Turn the blade support adjustment screw (13) in the counterclockwise direction.
- ◆ Slide the blade support roller against the rear of the blade. The blade must locate in the central recess of the roller.
- ◆ Turn the blade support adjustment screw in the clockwise direction to lock the blade support in place.

Connecting a vacuum cleaner to the tool (fig. C & D)

- ◆ Align the dust extraction adaptor (14) with the saw shoe as shown.
- ◆ Insert the ribs (15) into the slots (16).
- ◆ Push the adaptor backwards to lock it in position.
- ◆ Connect the vacuum cleaner hose (17) (not supplied) to the adaptor.

Dust extraction is not possible when making bevel cuts.

Warning! Do not use the dust extraction adaptor when sawing metal.

Use

Warning! Let the tool work at its own pace. Do not overload.

Warning! Never use the tool when the saw shoe is loose or removed.

Adjusting the shoe plate for bevel cuts (fig. E)

The shoe plate can be set to a left or right bevel angle of up to 45°.

- ◆ Turn the locking knob (8) in direction A to release the shoe plate (7).
- ◆ Pull the shoe plate (7) backwards and set it to the required angle. You can use the scale or a protractor to check the angle.
- ◆ Turn the locking knob (8) in direction B to lock the shoe plate in place.

To reset the shoe plate for straight cuts:

- ◆ Turn the locking knob (8) in direction A to release the shoe plate (7).
- ◆ Pull the shoe plate backwards and set it to an angle of approx. 0°.
- ◆ Push the shoe plate forward.
- ◆ Turn the locking knob (8) in direction B to lock the shoe plate in place. Make sure that the shoe plate is supported by the guide ribs.

Setting the operating mode (fig. F)

In the straight cutting mode, the saw blade can be set and locked in 4 positions: forward, reverse, left or right.

- ◆ Turn the mode selector switch (4) to position A (scrolling mode).
- ◆ Rotate the saw blade into the required direction using the scroll knob (9).

- ◆ Turn the mode selector switch (4) to position B (straight cutting mode). In this position the scroll knob cannot be rotated. The saw blade is locked in its position.

Scrolling mode

In the scrolling mode, the saw blade can be rotated for intricate and accurate sawing. It is recommended to use saw blades suitable for scrolling in this mode.

- ◆ Turn the mode selector switch (4) to position A (scrolling mode). In this position there is no pendulum action.

Pendulum action mode

In the pendulum action mode, the saw blade is locked in the forward direction to for fast straight sawing.

- ◆ Turn the mode selector switch (4) to position A (scrolling mode).
- ◆ Rotate the saw blade into the forward direction using the scroll knob (9).
- ◆ Turn the mode selector switch (4) to position C (pendulum action mode). In this position the scroll knob cannot be rotated. The saw blade is locked in its position.

Variable speed control

- ◆ Set the variable speed control knob (3) to the required speed range. Use a high speed for wood, medium speed for aluminium and PVC and low speed for metals other than aluminium.

Switching on and off

- ◆ To switch the tool on, press the on/off switch (1).
- ◆ For continuous operation, press the lock-on button (2) and release the on/off switch.
- ◆ To switch the tool off, release the on/off switch. To switch the tool off when in continuous operation, press the on/off switch once more and release it.

How to use the SightLine™ feature (fig. G)

- ◆ Use a pencil to mark the cutting line.
- ◆ Position the jigsaw over the line (18).

Viewing from directly above the jigsaw the line of cut can be easily followed. Should this view be restricted for any reason, the indent (19) can be used as an alternate cutting guide.

Hints for optimum use

Sawing laminates

As the saw blade cuts on the upward stroke, splintering may occur on the surface closest to the shoe plate.

- ◆ Use a fine-tooth saw blade.
- ◆ Saw from the back surface of the workpiece.
- ◆ To minimise splintering, clamp a piece of scrap wood or hardboard to both sides of the workpiece and saw through this sandwich.

Scrolling

- ◆ Use a saw blade suitable for scrolling wood.
- ◆ Holding the tool with one hand, slowly move the tool to follow the line of cut whilst operating the scroll knob.

Sawing metal

- ◆ Be aware that sawing metal takes much more time than sawing wood.
- ◆ Use a saw blade suitable for sawing metal.
- ◆ When cutting thin sheet metal, clamp a piece of scrap wood to the back surface of the workpiece and cut through this sandwich.
- ◆ Spread a film of oil along the intended line of cut.

Accessories

The performance of your tool depends on the accessory used. Black & Decker and Piranha accessories are engineered to high quality standards and designed to enhance the performance of your tool. By using these accessories you will get the very best from your tool.

This tool is suitable both for U-shank and T-shank saw blades.

Maintenance

Your tool has been designed to operate over a long period of time with a minimum of maintenance. Continuous satisfactory operation depends upon proper tool care and regular cleaning.

Warning! Before performing any maintenance, switch off and unplug the tool.

- ◆ Regularly clean the ventilation slots in your tool using a soft brush or dry cloth.
- ◆ Regularly clean the motor housing using a damp cloth. Do not use any abrasive or solvent-based cleaner.
- ◆ Occasionally apply a drop of oil to the axle of the blade support roller.

Mains plug replacement (U.K. & Ireland only)

If a new mains plug needs to be fitted:

- ◆ Safely dispose of the old plug.
- ◆ Connect the brown lead to the live terminal in the new plug.
- ◆ Connect the blue lead to the neutral terminal.

Warning! No connection is to be made to the earth terminal. Follow the fitting instructions supplied with good quality plugs. Recommended fuse: 5 A.

Protecting the environment



Separate collection. This product must not be disposed of with normal household waste.

Should you find one day that your Black & Decker product needs replacement, or if it is of no further use to you, do not dispose of it with household waste. Make this product available for separate collection.



Separate collection of used products and packaging allows materials to be recycled and used again. Re-use of recycled materials helps prevent environmental pollution and reduces the demand for raw materials.

Local regulations may provide for separate collection of electrical products from the household, at municipal waste sites or by the retailer when you purchase a new product.

Black & Decker provides a facility for the collection and recycling of Black & Decker products once they have reached the end of their working life. To take advantage of this service please return your product to any authorised repair agent who will collect them on our behalf.

You can check the location of your nearest authorised repair agent by contacting your local Black & Decker office at the address indicated in this manual. Alternatively, a list of authorised Black & Decker repair agents and full details of our after-sales service and contacts are available on the Internet at: www.2helpU.com

Technical data

	KS2005E Typ. 1
Input voltage	V _{AC} 230
Power input	W 600
Number of strokes (no load)	min ⁻¹ 800 - 3,200
Max. depth of cut	
Wood	mm 65
Steel	mm 4
Aluminium	mm 10
Weight	kg 2.8

Level of sound pressure according to EN 60745:
 Sound pressure (L_{pA}) 92 dB(A), uncertainty (K) 3 dB(A)
 Sound power (L_{WA}) 103 dB(A), uncertainty (K) 3 dB(A)

Vibration total values (triax vector sum) according to EN 60745:

Cutting wood (a_n) 11.00 m/s², uncertainty (K) 2.6 m/s²
 Cutting metal (a_n) 13.96 m/s², uncertainty (K) 5.6 m/s²

EC declaration of conformity

MACHINERY DIRECTIVE



KS2005E

Black & Decker declares that these products described under "technical data" are in compliance with:
 2006/42/EC, EN 60745-1, EN 60745-2-11

For more information, please contact Black & Decker at the following address or refer to the back of the manual.

The undersigned is responsible for compilation of the technical file and makes this declaration on behalf of Black & Decker.

Kevin Hewitt
 Vice-President Global Engineering
 Black & Decker Europe, 210 Bath Road, Slough,
 Berkshire, SL1 3YD
 United Kingdom
 18/02/2010

Guarantee

Black & Decker is confident of the quality of its products and offers an outstanding guarantee. This guarantee statement is in addition to and in no way prejudices your statutory rights. The guarantee is valid within the territories of the Member States of the European Union and the European Free Trade Area.

If a Black & Decker product becomes defective due to faulty materials, workmanship or lack of conformity, within 24 months from the date of purchase, Black & Decker guarantees to replace defective parts, repair products subjected to fair wear and tear or replace such products to ensure minimum inconvenience to the customer unless:

- ◆ The product has been used for trade, professional or hire purposes;
- ◆ The product has been subjected to misuse or neglect;
- ◆ The product has sustained damage through foreign objects, substances or accidents;
- ◆ Repairs have been attempted by persons other than authorised repair agents or Black & Decker service staff.

To claim on the guarantee, you will need to submit proof of purchase to the seller or an authorised repair agent. You can check the location of your nearest authorised repair agent by contacting your local Black & Decker office at the address indicated in this manual. Alternatively, a list of authorised Black & Decker repair agents and full details of our after-sales service and contacts are available on the Internet at: www.2helpU.com

Please visit our website www.blackanddecker.co.uk to register your new Black & Decker product and to be kept up to date on new products and special offers. Further information on the Black & Decker brand and our range of products is available at www.blackanddecker.co.uk

Bestimmungsgemäße Verwendung

Ihre Black & Decker Stichsäge wurde zum Sägen von Holz, Kunststoff und Blech entwickelt. Dieses Gerät ist nicht für den gewerblichen Einsatz vorgesehen.

Sicherheitshinweise

Allgemeine Warnhinweise zur Sicherheit von Elektrowerkzeugen



Achtung! Lesen Sie sämtliche Sicherheitswarnhinweise und sonstigen Anweisungen.

Die Nichteinhaltung der nachstehend aufgeführten Warnhinweise und sonstigen Anweisungen kann einen elektrischen Schlag, Brand und/oder schwere Verletzungen verursachen.

Bewahren Sie alle Warnhinweise und sonstigen Anweisungen zur künftigen Bezugnahme auf.

Der nachfolgend verwendete Begriff "Gerät" bezieht sich auf netzbetriebene Geräte (mit Netzkabel) und auf akkubetriebene Geräte (ohne Netzkabel).

1. Sicherheit am Arbeitsplatz

- Halten Sie Ihren Arbeitsbereich sauber und gut ausgeleuchtet.** Unordnung und dunkle Arbeitsbereiche fördern Unfälle geradezu heraus.
- Arbeiten Sie mit Geräten nicht in explosionsgefährdeter Umgebung, in der sich brennbare Flüssigkeiten, Gase oder Stäube befinden.** Geräte erzeugen Funken, die den Staub oder die Dämpfe entzünden können.
- Halten Sie Kinder und andere Personen während der Benutzung eines Geräts fern.** Bei Ablenkung können Sie die Kontrolle verlieren.

2. Elektrische Sicherheit

- Der Anschlussstecker des Geräts muß in die Steckdose passen.** Der Stecker darf in keiner Weise verändert werden. Verwenden Sie keine Adapterstecker gemeinsam mit schutzgeerdeten Geräten. Unveränderte Stecker und passende Steckdosen verringern das Risiko eines elektrischen Schlages.
- Vermeiden Sie Körperkontakt mit geerdeten Oberflächen von Rohren, Heizungen, Herden und Kühlschränken.** Es besteht ein erhöhtes Risiko eines elektrischen Schlages, wenn Ihr Körper geerdet ist.
- Halten Sie Geräte von Regen und Nässe fern.** Das Eindringen von Wasser in ein Gerät erhöht das Risiko eines elektrischen Schlages.
- Mißbrauchen Sie nicht das Kabel.** Verwenden Sie das Kabel niemals zum Tragen, Ziehen oder Trennen des Gerätes vom Netz. Halten Sie das Kabel fern von

Hitze, Öl, scharfen Kanten oder sich bewegenden Teilen. Beschädigte oder verwickelte Kabel erhöhen das Risiko eines elektrischen Schlages.

- Wenn Sie mit einem Gerät im Freien arbeiten, verwenden Sie nur Verlängerungskabel, die auch für den Außenbereich zugelassen sind.** Die Verwendung eines für den Außenbereich geeigneten Verlängerungskabels verringert das Risiko eines elektrischen Schlages.
- Falls der Betrieb des Elektrowerkzeugs in einer feuchten Umgebung unvermeidbar ist, verwenden Sie einen mit einem Fehlerstromschutzschalter (FI-Schutzschalter) abgesicherten Stromkreis.** Durch die Verwendung eines FI-Schutzschalters wird das Risiko eines Stromschlags verringert.

3. Sicherheit von Personen

- Seien Sie aufmerksam, achten Sie darauf, was Sie tun, und gehen Sie vernünftig mit einem Gerät um.** Benutzen Sie das Gerät nicht, wenn Sie müde sind oder unter dem Einfluß von Drogen, Alkohol oder Medikamenten stehen. Ein Moment der Unachtsamkeit beim Gebrauch von Geräten kann zu ernsthaften Verletzungen führen.
- Tragen Sie persönliche Schutzausrüstung.** Tragen Sie immer eine Schutzbrille. Das Tragen persönlicher Schutzausrüstung, wie Staubmaske, rutschfeste Sicherheitsschuhe, Schutzhelm oder Gehörschutz, je nach Art und Einsatz des Elektrowerkzeuges, verringert das Risiko von Verletzungen.
- Vermeiden Sie eine unbeabsichtigte Inbetriebnahme.** Vergewissern Sie sich, dass der Schalter auf der Aus-Stellung steht, bevor Sie den Stecker in die Steckdose stecken und/oder das Akkupaket im Werkzeug stecken, das Werkzeug aufnehmen oder tragen. Wenn Sie beim Tragen des Elektrowerkzeugs den Finger am Schalter haben oder das Werkzeug eingeschaltet an die Stromversorgung anschließen, kann dies zu Unfällen führen.
- Entfernen Sie Einstell- oder Schraubenschlüssel, bevor Sie das Gerät einschalten.** Ein Schlüssel, der sich in einem sich drehenden Teil befindet, kann zu Verletzungen führen.
- Nicht zu weit nach vorne strecken!** Achten Sie auf einen sicheren Stand, um in jeder Arbeitsposition das Gleichgewicht zu halten. Dadurch können Sie das Gerät in unerwarteten Situationen besser unter Kontrolle halten.
- Tragen Sie geeignete Kleidung.** Tragen Sie keine weite Kleidung oder Schmuck. Halten Sie Haare, Kleidung und Handschuhe fern von sich bewegenden Teilen. Lockere Kleidung, Schmuck oder lange Haare können von sich bewegenden Teilen erfaßt werden.
- Falls Staubabsaug- und -auffangvorrichtungen vorhanden sind, vergewissern Sie sich, daß diese angeschlossen sind und richtig verwendet werden.**

Das Verwenden dieser Einrichtungen verringert Gefährdungen durch Staub.

4. Gebrauch und Pflege von Geräten

- a. Überlasten Sie das Gerät nicht. Verwenden Sie für Ihre Arbeit das dafür bestimmte Gerät. Mit dem passenden Gerät arbeiten Sie besser und sicherer im angegebenen Leistungsbereich.
- b. Benutzen Sie kein Gerät, dessen Schalter defekt ist. Ein Gerät, das sich nicht mehr ein- oder ausschalten läßt, ist gefährlich und muß repariert werden.
- c. Trennen Sie den Stecker von der Stromquelle und/ oder das Akkupaket vom Elektrowerkzeug, bevor Einstellungen vorgenommen, Zubehör gewechselt oder Elektrowerkzeuge verstaut werden. Diese Vorsichtsmaßnahmen verhindern den unbeabsichtigten Start des Gerätes.
- d. Bewahren Sie unbenutzte Geräte außerhalb der Reichweite von Kindern auf. Lassen Sie Geräte nicht von Personen benutzen, die damit nicht vertraut sind oder diese Anweisungen nicht gelesen haben. Geräte sind gefährlich, wenn Sie von unerfahrenen Personen benutzt werden.
- e. Halten Sie Geräte in einem einwandfreien Zustand. Kontrollieren Sie, ob bewegliche Teile falsch ausgerichtet sind oder klemmen und ob Teile gebrochen oder so beschädigt sind, daß die Funktion des Geräts beeinträchtigt ist. Lassen Sie beschädigte Geräte vor dem Gebrauch reparieren. Viele Unfälle haben ihre Ursache in schlecht gewarteten Geräten.
- f. Halten Sie Schneidgeräte scharf und sauber. Sorgfältig gepflegte Schneidgeräte mit scharfen Schneidkanten verklemmen sich weniger und sind leichter zu führen.
- g. Verwenden Sie das Elektrowerkzeug, Zubehör sowie Werkzeug-Bits, usw. entsprechend diesen Anweisungen. Berücksichtigen Sie dabei die Arbeitsbedingungen sowie die durchzuführende Arbeit. Der Gebrauch von Geräten für andere als die vorgesehenen Anwendungen kann zu gefährlichen Situationen führen.

5. Service

- a. Lassen Sie Ihr Gerät nur von qualifiziertem Fachpersonal und nur mit Original-Ersatzteilen reparieren. Damit wird gewährleistet, daß die Sicherheit des Geräts erhalten bleibt.

Zusätzliche Warnhinweise zur Sicherheit von Elektrowerkzeugen



Achtung! Zusätzliche Warnhinweise zur Sicherheit von Stich- und Säbelsägen.

- ◆ Halten Sie das Elektrowerkzeug an den isolierten **Griffflächen, wenn Arbeiten durchgeführt werden, bei denen das Schneidwerkzeug versteckte Leitungen oder die eigene Anschlußleitung berühren könnte.** Schneidezubehörteile, das eine spannungsführende Leitung berühren, setzen die freiliegenden Metallteile des Geräts unter Spannung und der Benutzer erleidet einen Stromschlag.
- ◆ Verwenden Sie Zwingen oder ähnliche Mittel, um das Werkstück auf einer stabilen Plattform zu halten und zu sichern. Falls das Werkstück mit der Hand oder gegen den Körper gehalten wird, bleibt es instabil und Sie können die Kontrolle verlieren.
- ◆ Halten Sie die Hände vom Schnittbereich fern. Greifen Sie niemals unter das Werkstück. Halten Sie Finger und Daumen vom Bereich des Sägeblatts der Säbelsäge sowie der Einpannovrichtung des Sägeblatts fern. Versuchen Sie nicht, die Säge zu stabilisieren, indem Sie den Sägeschuh halten.
- ◆ Halten Sie die Sägeblätter scharf. Stumpfe oder beschädigte Sägeblätter können bewirken, daß die Säge unter Druck ausbricht oder hängen bleibt. Verwenden Sie immer ein Sägeblatt, das sich für das zu sägende Material und den gewünschten Schnitttyp eignet.
- ◆ Wird Rohr oder Kanal geschnitten, vergewissern Sie sich, daß kein Wasser durch die Rohrleitungen fließt und keine elektrischen Leitungen, etc. im Kanal vorhanden sind.
- ◆ Fassen Sie das Werkstück bzw. das Sägeblatt unmittelbar nach dem Betrieb des Werkzeugs nicht an. Werkstück und Sägeblatt können sehr heiß werden!
- ◆ Seien Sie sich über versteckte Gefahren im Klaren und informieren Sie sich über den genauen Verlauf von Leitungen und Rohren, bevor Sie Sägearbeiten in Wänden, Böden und Decken durchführen.
- ◆ Das Sägeblatt bewegt sich nach dem Loslassen des Schalters weiter. Schalten Sie das Gerät immer aus und warten Sie, bis das Sägeblatt zum Stillstand kommt, bevor Sie das Gerät niederlegen.

Achtung! Ein Kontakt mit Stäuben oder das Einatmen von Stäuben, die durch den Sägeeinsatz entstehen, kann die Gesundheit des Bedieners und eventueller anderer Personen in der Nähe des Geräts gefährden. Tragen Sie zum Schutz vor Stäuben und Dämpfen eine Staubmaske, und stellen Sie sicher, daß auch andere Personen geschützt sind, die den Arbeitsplatz betreten oder sich darin aufhalten.

- ◆ Dieses Gerät darf nicht von Personen (einschließlich Kindern) mit eingeschränkten körperlichen, sensorischen oder geistigen Fähigkeiten verwendet werden. Auch darf es nicht von Personen verwendet werden, die keine Erfahrung mit dem Gerät oder Kenntnis darüber haben, es sei denn, sie stehen beim Gebrauch unter der Aufsicht und Anleitung einer für deren Sicherheit verantwortlichen Person. Kinder müssen beaufsichtigt werden, um

sicherzustellen, daß sie nicht mit dem Gerät spielen.

- Die bestimmungsgemäße Verwendung ist in dieser Bedienungsanleitung beschrieben. Das Verwenden anderer als der in dieser Anleitung empfohlenen Anbaugeräte und Zubehörteile oder die Ausführung von Arbeiten mit diesem Gerät, die nicht der bestimmungsgemäßen Verwendung entsprechen, kann zu Unfallgefahren und/oder Sachschäden führen.

Sicherheit anderer Personen

- Dieses Gerät darf nicht von Personen (einschließlich Kindern) mit eingeschränkten körperlichen, sensorischen oder geistigen Fähigkeiten verwendet werden. Auch darf es nicht von Personen verwendet werden, die keine Erfahrung mit dem Gerät oder Kenntnis darüber haben, es sei denn, sie stehen beim Gebrauch unter der Aufsicht und Anleitung einer für deren Sicherheit verantwortlichen Person.
- Kinder müssen beaufsichtigt werden, um sicherzustellen, daß sie nicht mit dem Gerät spielen.

Restrisiken.

Für den Gebrauch dieses Geräts verbleiben zusätzliche Restrisiken, die möglicherweise nicht in den Sicherheitswarnungen genannt werden. Diese Risiken bestehen beispielsweise bei Missbrauch oder längerem Gebrauch.

Auch bei der Einhaltung der entsprechenden Sicherheitsvorschriften und der Verwendung aller Sicherheitsgeräte bestehen weiterhin bestimmte Restrisiken. Diese werden im Folgenden aufgeführt:

- Verletzungen, die durch das Berühren von sich drehenden/bewegenden Teilen verursacht werden.**
- Verletzungen, die durch das Austauschen von Teilen, Messern oder Zubehör verursacht werden.**
- Verletzungen, die durch längeren Gebrauch eines Geräts verursacht werden. Legen Sie bei längerem Gebrauch regelmäßige Pausen ein.**
- Beeinträchtigung des Gehörs.**
- Gesundheitsrisiken durch das Einatmen von Staub beim Gebrauch des Geräts (Beispielsweise bei Holzarbeiten, insbesondere Eiche, Buche und Pressspan).**

Vibrationen

Die angegebenen Vibrationswerte in den Technischen Daten und der Konformitätserklärung wurden gemäß einer standardisierten und durch EN 60745 festgelegten Prüfmethode gemessen und können herangezogen werden, um ein Werkzeug mit einem anderen zu vergleichen. Der angegebene Vibrationswert kann auch für eine vorläufige Einstufung der Freisetzung herangezogen werden.

Achtung! Der Vibrationswert beim eigentlichen Gebrauch des Elektrowerkzeugs kann vom angegebenen Wert abweichen. Dies hängt davon ab, auf welche Weise das Werkzeug verwendet wird. Der Vibrationswert kann über den angegebenen Wert hinaus ansteigen.

Bei der Einstufung der Vibrationen zur Festlegung der von 2002/44/EG geforderten Sicherheitsmaßnahmen zum Schutz von Personen, die beruflich regelmäßig mit Elektrowerkzeugen arbeiten, muß eine Vibrationseinstufung die tatsächlichen Gebrauchsbedingungen und die Art und Weise berücksichtigen, wie das Werkzeug verwendet wird. Auch müssen alle Aspekte des Arbeitszyklus berücksichtigt werden, wie beispielsweise die Zeiten, in denen das Werkzeug aus- und eingeschaltet ist und im Leerlauf läuft.

Schilder auf dem Gerät

Es befinden sich folgende Bildzeichen auf dem Gerät:



Achtung! Um die Verletzungsgefahr zu verringern, muß der Benutzer die Bedienungsanleitung lesen.

Elektrische Sicherheit



Dieses Gerät ist schutzisoliert, daher ist keine Erdleitung erforderlich. Überprüfen Sie immer, ob die Netzspannung der auf dem Typenschild des Elektrowerkzeuges angegebenen Spannung entspricht.

- Falls das Netzkabel beschädigt ist, so ist es vom Hersteller oder einem autorisierten Black & Decker Service Center auszutauschen, um Gefahren vorzubeugen.

Merkmale

Dieses Gerät weist einige oder alle der folgenden Merkmale auf.

- Ein-/Aus-Schalter
- Ausschaltsperr
- Drehzahl-Vorwahlknopf
- Betriebsart-Wahlschalter
- Sägeblattsicherungshebel
- Sägeblatthalter
- Sägeschuhplatte
- Sägeschuhplatten-Sicherungsknopf
- Dekupierknopf
- Aufbewahrungsfach für Sägeblatt

Montage

Achtung! Vergewissern Sie sich vor der Montage, daß das Gerät ausgeschaltet ist und daß der Netzstecker gezogen wurde.

Anbringen der Sägeblatts (Abb. A)

- ◆ Halten Sie das Sägeblatt (11) wie angegeben mit den Zähnen nach vorne weisend.
- ◆ Drücken Sie den Hebel (5) nach unten.
- ◆ Setzen Sie den Schaft des Sägeblatts bis zum Anschlag in den Sägeblatthalter (6) ein.
- ◆ Geben Sie den Hebel frei.
- ◆ Stellen Sie die Stützrolle für das Sägeblatt wie unten beschrieben ein.

Einstellen der Stützrolle für das Sägeblatt (Abb. A & B)

Nach dem Anbringen des Sägeblatts muß die Stützrolle (12) für das Sägeblatt eingestellt werden.

- ◆ Drehen Sie die Einstellschraube (13) für die Sägeblattabstützung gegen den Uhrzeigersinn.
- ◆ Schieben Sie die Stützrolle für das Sägeblatt gegen die Rückseite des Sägeblatts. Das Sägeblatt muss sich in der Mittelrinne der Rolle befinden.
- ◆ Drehen Sie die Einstellschraube für die Sägeblattabstützung im Uhrzeigersinn, um die Sägeblattabstützung in ihrer Lage zu sichern.

Anschluß eines Staubsaugers an das Gerät (Abb. C & D)

- ◆ Richten Sie den Spanabsaugadapter (14) wie angegeben am Sägeschuh an.
- ◆ Führen Sie die Rippen (15) in die Schlitz (16).
- ◆ Schieben Sie den Adapter nach hinten, um ihn in seiner Lage zu sichern.
- ◆ Verbinden Sie den Staubsaugerschlauch (17) (nicht im Lieferumfang) mit dem Adapter.

Bei Gehrungsschnitten ist eine Staubabsaugung nicht möglich.

Achtung! Verwenden Sie beim Sägen von Metall keinen Staubsaugeradapter.

Gebrauch

Achtung! Beschleunigen Sie den Arbeitsvorgang nicht mit Gewalt. Vermeiden Sie eine Überlastung des Gerätes.

Achtung! Verwenden Sie das Gerät niemals, wenn der Sägeschuh lose oder entfernt ist.

Einstellen der Sägeschuhplatte auf Gehrungsschnitte (Abb. E)

Die Sägeschuhplatte kann auf einen Links- oder Rechtswinkel von bis zu 45° eingestellt werden.

- ◆ Drehen Sie den Sicherungsknopf (8) in Richtung A, um die Sägeschuhplatte (7) zu lösen.

- ◆ Ziehen Sie die Sägeschuhplatte (7) zurück, und stellen Sie sie auf den erforderlichen Winkel ein. Zur Überprüfung des Winkels können Sie die Skala oder einen Winkelmesser verwenden.
- ◆ Drehen Sie den Sicherungsknopf (8) in Richtung B, um die Sägeschuhplatte in ihrer Lage zu sichern.

Um die Sägeschuhplatte wieder für gerade Schnitte einzustellen:

- ◆ Drehen Sie den Sicherungsknopf (8) in Richtung A, um die Sägeschuhplatte (7) zu lösen.
- ◆ Ziehen Sie die Sägeschuhplatte nach hinten, und stellen Sie sie auf einen Winkel von ca. 0° ein.
- ◆ Schieben Sie die Sägeschuhplatte nach vorne.
- ◆ Drehen Sie den Sicherungsknopf (8) in Richtung B, um die Sägeschuhplatte in ihrer Lage zu sichern. Stellen Sie sicher, daß die Sägeschuhplatte von den Führungsrippen gestützt wird.

Einstellen der Betriebsart (Abb. F)

In der Betriebsart für gerade Schnitte kann das Sägeblatt auf 4 Stellungen eingestellt und gesichert werden: vorwärts, rückwärts, links oder rechts.

- ◆ Drehen Sie den Betriebsartwahlschalter (4) auf Position A (Dekupier-Betriebsart).
- ◆ Drehen Sie das Sägeblatt mit dem Dekupierknopf (9) in die gewünschte Richtung.
- ◆ Drehen Sie den Betriebsartwahlschalter (4) auf Position B (Betriebsart für Geradschnitte). In dieser Position kann der Dekupierknopf nicht gedreht werden. Das Sägeblatt ist in seiner Position gesichert.

Dekupier-Betriebsart

In der Dekupier-Betriebsart kann das Sägeblatt gedreht werden, um ein kompliziertes und genaues Sägen zu ermöglichen. Es wird empfohlen, Sägeblätter zu verwenden, die für diese Betriebsart geeignet sind.

- ◆ Drehen Sie den Betriebsartwahlschalter (4) auf Position A (Dekupier-Betriebsart). In dieser Position findet kein Pendelhub statt.

Pendelhub-Betriebsart

In der Pendelhub-Betriebsart ist das Sägeblatt in Vorwärtsrichtung gesperrt, um ein schnelles gerades Sägen zu ermöglichen.

- ◆ Drehen Sie den Betriebsartwahlschalter (4) auf Position A (Dekupier-Betriebsart).
- ◆ Drehen Sie das Sägeblatt mit dem Dekupierknopf (9) in die Vorwärtsrichtung.
- ◆ Drehen Sie den Betriebsartwahlschalter (4) auf Position C (Pendelhub-Betriebsart). In dieser Position kann der Dekupierknopf nicht gedreht werden. Das Sägeblatt ist in seiner Position gesichert.

Geschwindigkeitsvorwahl

- ◆ Stellen Sie den Geschwindigkeitsvorwahlknopf (3) auf die gewünschte Geschwindigkeit ein. Verwenden Sie für Holz eine hohe Geschwindigkeit, für Aluminium und PVC eine mittlere Geschwindigkeit und für Nicht-Aluminium-Metalle eine niedrige Geschwindigkeit.

Ein- und Ausschalten

- ◆ Um das Werkzeug einzuschalten, drücken Sie auf den Ein-/Ausschalter (1).
- ◆ Drücken Sie für Dauerbetrieb auf die Ausschaltsperrle (2). Sie können nun den Ein-/Ausschalter loslassen.
- ◆ Zum Ausschalten des Werkzeugs lassen Sie den Ein-/Ausschalter los. Zum Ausschalten im Dauerbetrieb drücken Sie erneut auf den Ein-/Ausschalter und lassen Sie ihn wieder los.

Wie das SightLine™ Merkmal verwendet wird (Abb. G)

- ◆ Verwenden Sie einen Bleistift, um die Schnittlinie anzuzeichnen.
- ◆ Setzen Sie die Stichsäge über die Linie (18).

Wird direkt über der Stichsäge geschaut, kann der Schnittlinie leicht gefolgt werden. Sollte aus irgendeinem Grund diese Sicht blockiert sein, so kann die Vertiefung (19) als alternative Schnittführung herangezogen werden.

Hinweise für optimale Arbeitsergebnisse

Sägen von Laminat

Da die Säge den eigentlichen Schnitt beim Aufwärtshub durchführt, kann die Oberfläche, die sich an der Sägeschuhplatte befindet, splintern.

- ◆ Verwenden Sie ein Sägeblatt mit feinen Zähnen.
- ◆ Sägen Sie von der Rückseite des Werkstücks ausgehend.
- ◆ Um ein Splintern möglichst gering zu halten, spannen Sie einen Holzrest oder eine Hartfaserplatte auf beide Seiten des Werkstücks und sägen Sie durch diesen "Sandwich".

Dekupieren

- ◆ Verwenden Sie ein für das Dekupieren von Holz geeignetes Sägeblatt.
- ◆ Während Sie das Gerät mit der einen Hand halten, bewegen Sie es langsam, um der Schnittlinie zu folgen, während Sie den Dekupierknopf betätigen.

Sägen von Metall

- ◆ Seien Sie sich darüber im Klaren, daß beim Sägen von Metall sehr viel mehr Zeit als beim Sägen von Holz benötigt wird.
- ◆ Verwenden Sie ein für das Sägen von Metall geeignetes Sägeblatt.

- ◆ Beim Sägen von dünnem Blech spannen Sie einen Holzrest auf die hintere Fläche des Werkstücks, und schneiden Sie durch diesen "Sandwich".
- ◆ Verteilen Sie einen Ölfilm auf der Schnittlinie.

Zubehör

Die Leistung Ihres Geräts hängt vom verwendeten Zubehör ab. Black & Decker und Piranha Zubehör ist nach hohen Qualitätsnormen gefertigt und dafür ausgelegt, die Leistung Ihres Geräts zu steigern. Durch Verwendung dieses Zubehörs erzielen Sie die größtmögliche Leistung Ihres Geräts.

Dieses Gerät ist sowohl für U-Schaft- als auch für T-Schaft-Sägeblätter geeignet.

Wartung

Ihr Gerät wurde für eine lange Lebensdauer und einen möglichst geringen Wartungsaufwand entwickelt. Ein dauerhafter, einwandfreier Betrieb setzt eine regelmäßige Pflege und Reinigung voraus.

Achtung! Bevor Sie irgendwelche Wartungsarbeiten vornehmen, schalten Sie das Gerät aus, und ziehen Sie den Netzstecker.

- ◆ Reinigen Sie regelmäßig die Lüftungsschlitze im Gerät mit Hilfe einer weichen Bürste oder eines trockenen Tuches.
- ◆ Reinigen Sie regelmäßig das Motorgehäuse mit Hilfe eines feuchten Tuches. Verwenden Sie keine scheuernden Reinigungsmittel oder Reinigungsmittel auf Lösungsmittelbasis.
- ◆ Tragen Sie von Zeit zu Zeit einen Tropfen Öl an der Achse der Stützrolle für das Sägeblatt auf.

Umweltschutz



Getrennte Entsorgung. Dieses Produkt darf nicht über den normalen Hausmüll entsorgt werden.

Sollte Ihr Black & Decker Produkt eines Tages erneuert werden müssen, oder falls Sie es nicht weiter verwenden wollen, so darf es nicht über den Hausmüll entsorgt werden. Stellen Sie dieses Produkt zur getrennten Entsorgung bereit.



Durch die getrennte Entsorgung gebrauchter Produkte und Verpackungen können die Materialien recycelt und wiederverwertet werden.

Die Wiederverwertung recycelter Materialien schont die Umwelt und verringert die Nachfrage nach Rohstoffen.

Die regionalen Bestimmungen schreiben unter Umständen die getrennte Entsorgung elektrischer Produkte aus dem Haushalt an Sammelstellen oder seitens des Händlers vor, bei dem Sie das neue Produkt erworben haben.

Black & Decker nimmt Ihre ausgedienten Black & Decker Geräte gern zurück und sorgt für eine umweltfreundliche Entsorgung und Wiederverwertung. Um diesen Dienst zu nutzen, schicken Sie bitte Ihr Produkt zu einer Vertragswerkstatt. Hier wird es dann auf unsere Kosten gesammelt.

Die Adresse der zuständigen Black & Decker Vertretung steht in diesem Handbuch, darüber läßt sich die nächstgelegene Vertragswerkstatt ermitteln. Außerdem ist eine Liste der Vertragswerkstätten und aller Kundendienststellen von Black & Decker sowie der zuständigen Ansprechpartner im Internet zu finden unter: www.2helpU.com

Technische Daten

	KS2005E Typ.1
Spannung	V _{AC} 230
Leistungsaufnahme	W 600
Hubzahl (im Leerlauf)	min ⁻¹ 800 - 3.200
Max. Frästiefe	
Holz	mm 65
Stahl	mm 4
Aluminium	mm 10
Gewicht	kg 2,8

Höhe des Schalldrucks gemäß EN 60745:

Schalldruck (L_{PA}) 92 dB(A), Unsicherheitsfaktor (K) 3 dB(A)
 Schalleistung (L_{WA}) 103 dB(A),
 Unsicherheitsfaktor (K) 3 dB(A)

Gesamtvibrationswerte (Triax-Vektorsumme) gemäß EN 60745:

Schneiden von Holz (a_h) 11,00 m/s²,
 Unsicherheitsfaktor (K) 2,6 m/s²
 Schneiden von Metall (a_h) 13,96 m/s²,
 Unsicherheitsfaktor (K) 5,6 m/s²

EG-Konformitätserklärung
 MASCHINENRICHTLINIE



Black & Decker erklärt, daß diese unter "Technische Daten" beschriebenen Produkte folgende Richtlinien erfüllen:
 2006/42/EG, EN 60745-1, EN 60745-2-11

Wenden Sie sich für weitere Informationen bitte an folgende Black & Decker Anschrift bzw. an die hinten im Handbuch angegebene Anschrift.

Der Unterzeichnete ist für die Zusammenstellung der technischen Datei verantwortlich und gibt diese Erklärung im Namen von Black & Decker ab.

Kevin Hewitt
 Vice-President Global Engineering
 Black & Decker Europe, 210 Bath Road, Slough,
 Berkshire, SL1 3YD
 Vereinigtes Königreich
 18/02/2010

Garantie

Black & Decker vertraut auf die Qualität der eigenen Geräte und bietet dem Käufer eine außergewöhnliche Garantie.

Diese Garantiezusage versteht sich unbeschadet der gesetzlichen Gewährleistungsansprüche und schränkt diese keinesfalls ein. Sie gilt in sämtlichen Mitgliedsstaaten der Europäischen Union und der Europäischen Freihandelszone EFTA.

Tritt innerhalb von 24 Monaten ab Kaufdatum an einem Gerät von Black & Decker ein auf Material- oder Verarbeitungsfehler zurückzuführender Mangel auf, garantiert Black & Decker den Austausch defekter Teile, die Reparatur von Geräten mit üblichem Verschleiß bzw. den Austausch eines mangelhaften Geräts, ohne den Kunden dabei mehr als unbedingt nötig in Anspruch zu nehmen, allerdings vorbehaltlich folgender Ausnahmen:

- ◆ wenn das Gerät gewerblich, beruflich oder im Verleihgeschäft benutzt wurde;
- ◆ wenn das Gerät mißbräuchlich verwendet oder mit mangelnder Sorgfalt behandelt wurde;
- ◆ wenn das Gerät durch irgendwelche Fremdeinwirkung beschädigt wurde;
- ◆ wenn ein unbefugter Reparaturversuch durch anderes Personal als das einer Vertragswerkstatt oder des Black & Decker-Kundendienstes unternommen wurde.

Zur Inanspruchnahme dieser Garantie ist dem Verkäufer bzw. der Vertragswerkstatt ein Kaufnachweis vorzulegen. Der Kaufnachweis muß Kaufdatum und Gerätetyp bescheinigen. Die Adresse des zuständigen Büros von Black & Decker steht in dieser Anleitung, darüber läßt sich die nächstgelegene Vertragswerkstatt ermitteln. Außerdem ist eine Liste der Vertragswerkstätten und aller Kundendienststellen von Black & Decker sowie der zuständigen Ansprechpartner im Internet zu finden unter: www.2helpU.com

Bitte besuchen Sie unsere Webseite www.blackanddecker.de, um Ihr neues Black & Decker Produkt zu registrieren und über neue Produkte und Sonderangebote aktuell informiert zu werden. Weitere Informationen über die Marke Black & Decker und unsere Produkte finden Sie unter www.blackanddecker.de

Utilisation prévue

Votre scie sauteuse Black & Decker a été spécialement conçue pour scier le bois, le plastique et le métal en feuillard. Cet outil a été conçu pour une utilisation exclusivement domestique.

Instructions de sécurité

Consignes de sécurité générales pour les outils électriques



Attention ! Prenez connaissance de tous les avertissements de sécurité et de toutes les instructions. Le non-respect des avertissements et des instructions indiqués ci-dessous peut entraîner une électrocution, un incendie ou de graves blessures.

Conservez tous les avertissements et instructions pour référence future. La notion d'« outil électroportatif » mentionnée par la suite se rapporte à des outils électriques raccordés au secteur (avec câble de raccordement) ou fonctionnant sur piles (sans fil).

1. Sécurité de la zone de travail

- a. **Maintenez la zone de travail propre et bien éclairée.** Un lieu de travail en désordre ou mal éclairé augmente le risque d'accidents.
- b. **N'utilisez pas les outils électroportatifs dans un environnement présentant des risques d'explosion ni en présence de liquides, gaz ou poussières inflammables.** Les outils électroportatifs génèrent des étincelles risquant d'enflammer les poussières ou les vapeurs.
- c. **Tenez les enfants et autres personnes éloignés durant l'utilisation de l'outil électroportatif.** En cas d'inattention, vous risquez de perdre le contrôle sur l'outil.

2. Sécurité électrique

- a. **La fiche de secteur de l'outil électroportatif doit convenir à la prise de courant. Ne modifiez en aucun cas la fiche. N'utilisez pas de fiches d'adaptateur avec des outils ayant une prise de terre.** Les fiches non modifiées et les prises de courant appropriées réduisent le risque d'électrocution.
- b. **Évitez le contact physique avec des surfaces mises à la terre telles que tuyaux, radiateurs, fours et réfrigérateurs.** Il y a un risque élevé d'électrocution si votre corps est relié à la terre.
- c. **N'exposez pas l'outil électroportatif à la pluie ni à l'humidité.** La pénétration d'eau dans un outil électroportatif augmente le risque d'électrocution.

- d. **Préservez le câble d'alimentation. N'utilisez pas le câble à d'autres fins que celles prévues, notamment pour porter l'outil, l'accrocher voire le débrancher de la prise de courant. Maintenez le câble éloigné des sources de chaleur, des parties grasses, des bords tranchants ou des parties de l'outil en rotation.** Un câble endommagé ou enchevêtré augmente le risque d'électrocution.
- e. **Si vous utilisez l'outil électroportatif à l'extérieur, utilisez une rallonge homologuée pour utilisation à l'air libre.** L'utilisation d'une rallonge électrique homologuée pour les applications extérieures réduit le risque d'électrocution.
- f. **Si l'usage d'un outil dans un emplacement humide est inévitable, utilisez une alimentation protégée par un dispositif à courant différentiel résiduel (RCD).** L'usage d'un RCD réduit le risque de choc électrique.

3. Sécurité personnelle

- a. **Restez vigilant, surveillez ce que vous faites. Faites preuve de bon sens quand vous utilisez l'outil électroportatif. N'utilisez pas l'outil lorsque vous êtes fatigué ou après avoir consommé de l'alcool, des drogues voire des médicaments.** Un moment d'inattention lors de l'utilisation de l'outil peut entraîner de graves blessures.
- b. **Utilisez un équipement de protection personnelle. Portez toujours une protection pour les yeux.** Les équipements de protection personnelle tels que les masques anti-poussières, chaussures de sécurité antidérapantes, casques ou protections acoustiques utilisés dans des conditions appropriées réduisent les blessures.
- c. **Évitez toute mise en marche involontaire. Vérifiez que l'interrupteur est en position arrêt avant de brancher l'outil au secteur ou au bloc de batteries, de le prendre ou de le porter.** Transporter les outils en avec le doigt sur l'interrupteur ou les brancher avec l'interrupteur en position de marche est une source d'accidents.
- d. **Enlevez tout outil ou clé de réglage avant de mettre l'outil en marche.** Une clé ou un outil se trouvant sur une partie en rotation peut causer des blessures.
- e. **Adoptez une position confortable. Adoptez une position stable et gardez votre équilibre à tout moment.** Vous contrôlerez mieux l'outil dans des situations inattendues.
- f. **Portez des vêtements appropriés. Ne portez pas de vêtements flottants ou de bijoux. N'approchez pas les cheveux, vêtements ou gants des parties des pièces mobiles.** Les vêtements amples, les bijoux ou les cheveux longs peuvent être attrapés dans les pièces en mouvement.

- g. Si des dispositifs servant à aspirer ou à recueillir les **poussières doivent être utilisés, vérifiez qu'ils sont correctement raccordés et utilisés.** Le fait d'aspirer la poussière permet de réduire les risques inhérents à la poussière.
4. **Utilisation des outils électroportatifs et précautions**
- a. **Ne surchargez pas l'outil. Utilisez l'outil électroportatif approprié pour le travail à effectuer.** Avec l'outil électroportatif approprié, vous travaillerez mieux et avec plus de sécurité à la vitesse pour laquelle il a été conçu.
- b. **N'utilisez pas un outil électroportatif dont l'interrupteur est défectueux.** Un outil électroportatif qui ne peut plus être mis en ou hors fonctionnement est dangereux et doit être réparé.
- c. **Déconnectez la prise de la source d'alimentation ou le pack-batterie de l'outil électrique avant tout réglage, changement d'accessoire voire rangement des outils électriques.** Cette mesure de précaution empêche une mise en marche par mégarde.
- d. **Rangez les outils électroportatifs hors de portée des enfants. Ne laissez pas les personnes n'étant pas familiarisées avec l'outil ou n'ayant pas lu ces instructions l'utiliser.** Les outils électroportatifs sont dangereux lorsqu'ils sont utilisés par des personnes non initiées.
- e. **Prenez soin des outils électroportatifs. Vérifiez que les parties en mouvement fonctionnent correctement et qu'elles ne sont pas coincées ; vérifiez qu'il n'y a pas de pièces cassées ou endommagées susceptibles de nuire au bon fonctionnement de l'outil. S'il est endommagé, faites réparer l'outil avant de l'utiliser.** De nombreux accidents sont dus à des outils électroportatifs mal entretenus.
- f. **Maintenez les outils de coupe aiguisés et propres.** Des outils soigneusement entretenus avec des bords tranchants bien aiguisés se coincent moins souvent et peuvent être guidés plus facilement.
- g. **Utilisez l'outil électrique, les accessoires et forets, etc. conformément à ces instructions, en tenant compte des conditions de travail et des tâches à effectuer.** L'utilisation des outils électroportatifs à d'autres fins que celles prévues peut entraîner des situations dangereuses.
5. **Réparations**
- a. **Faites réparer votre outil électroportatif uniquement par du personnel qualifié et seulement avec des pièces de rechange d'origine.** Cela garantira le maintien de la sécurité de votre outil.

Avertissements de sécurité supplémentaires pour les outils électriques



Attention ! Avertissements de sécurité supplémentaires pour les scies sauteuses et alternatives.

- ◆ **Tenez l'outil uniquement par les surfaces isolées des poignées si l'opération effectuée peut mettre la lame en contact avec des câbles électriques cachés ou son propre cordon électrique.** Le contact de l'accessoire de coupe avec un câble sous tension met les parties métalliques de l'outil sous tension et peut provoquer une électrocution de l'utilisateur.
 - ◆ **Utilisez des fixations ou tout autre moyen pratique pour fixer et soutenir la pièce à ouvrir sur une plateforme stable.** Si vous tenez la pièce à la main ou contre votre corps, elle est instable et vous pouvez en perdre le contrôle.
 - ◆ **Maintenez les mains éloignées de la zone de coupe.** Ne passez jamais la main sous la pièce à ouvrir, quelle que soit la raison. N'insérez pas les doigts ou les pouces à proximité de la lame alternative et de son blocage. Ne stabilisez pas la scie en saisissant sa semelle.
 - ◆ **Affûtez les lames.** Avec des lames émoussées ou endommagées, la scie peut faire un écart ou caler sous la pression. Utilisez toujours le type de lame de scie approprié aux matériaux de la pièce à scier et le bon type de coupe.
 - ◆ Pour couper un tuyau ou un conduit, assurez-vous qu'il ne contient pas d'eau, de câble électrique, etc.
 - ◆ Ne touchez pas la pièce à ouvrir ou la lame juste après avoir utilisé l'outil. Elles peuvent être très chaudes.
 - ◆ Faites attention aux risques potentiels : avant de couper les murs, planchers ou plafonds, vérifiez l'emplacement des câblages et tuyaux.
 - ◆ La lame continue son mouvement après avoir libéré l'interrupteur. Eteignez toujours l'outil et attendez que la lame de la scie se soit complètement arrêtée avant de poser l'outil.
- Attention !** L'inhalation ou le contact avec des poussières de sciure peuvent mettre en péril la santé de l'utilisateur et des personnes à proximité. Portez un masque contre la poussière spécialement conçu pour vous protéger des sciures et des fumées toxiques. Veillez également à ce que les personnes se trouvant à l'intérieur de la zone de travail ou y pénétrant soient également protégées.
- ◆ Cet outil n'est pas destiné à être utilisé par des personnes (notamment des enfants) présentant des capacités physiques, sensorielles ou mentales limitées voire dépourvues de connaissance et d'expérience, sauf si elles sont supervisées ou ont reçu des instructions pour l'usage de l'appareil par une personne responsable de leur sécurité. Les enfants ne doivent pas jouer avec l'appareil.

- ◆ Le domaine d'utilisation de l'outil est décrit dans le présent manuel. L'utilisation d'accessoires ou la réalisation d'opérations avec cet outil autres que ceux recommandés dans le présent manuel peut entraîner un risque de blessure ou de dégâts.

Sécurité des tiers

- ◆ Cet appareil n'est pas destiné à être utilisé par des personnes (notamment des enfants) présentant des capacités physiques, sensorielles ou mentales limitées voire dépourvues de connaissance et d'expérience, sauf si elles sont supervisées ou ont reçu des instructions pour l'usage de l'appareil par une personne responsable de leur sécurité.
- ◆ Les enfants ne doivent pas jouer avec l'appareil.

Risques résiduels.

L'utilisation d'un outil non mentionné dans les consignes de sécurité données peut entraîner des risques résiduels supplémentaires. Ces risques peuvent survenir si l'outil est mal utilisé, si l'utilisation est prolongée, etc.

Malgré l'application des normes de sécurité correspondantes et la présence de dispositifs de sécurité, les risques résiduels suivants ne peuvent être évités. Ceci comprend :

- ◆ Les blessures dues au contact avec une pièce mobile/ en rotation.
- ◆ Les blessures causées en changeant des pièces, lames ou accessoires.
- ◆ Les blessures dues à l'utilisation prolongée d'un outil. Une utilisation prolongée de l'outil nécessite des pauses régulières.
- ◆ **Déficience auditive.**
- ◆ Risques pour la santé causés par l'inhalation de poussières produites pendant l'utilisation de l'outil (exemple : travail avec du bois, surtout le chêne, le hêtre et les panneaux en MDF).

Vibration

Les valeurs des émissions de vibrations mentionnées dans les données techniques et la déclaration de conformité ont été mesurées conformément à la méthode de test normalisée indiquée par EN 60745 et permettent les comparaisons entre outils. Les valeurs des émissions de vibrations peuvent également servir à une évaluation préliminaire de l'exposition.

Attention ! Les valeurs des émissions de vibrations en utilisant réellement l'outil peuvent différer des valeurs déclarées en fonction du mode d'usage de l'outil. Le niveau de vibration peut dépasser le niveau indiqué.

Pour évaluer l'exposition aux vibrations afin de déterminer les mesures de sécurité imposées par 2002/44/CE pour protéger les personnes utilisant régulièrement des outils électriques,

une estimation de l'exposition aux vibrations devrait prendre en compte les conditions réelles et le mode d'utilisation de l'outil, notamment l'ensemble du cycle de fonctionnement ainsi l'arrêt de l'outil et son fonctionnement au ralenti, outre le démarrage.

Étiquettes apposées sur l'outil

Les pictogrammes suivants sont présents sur l'outil :



Attention ! Afin de réduire les risques de blessures, l'utilisateur doit lire le manuel d'instructions.

Sécurité électrique



L'outil est doublement isolé ; par conséquent, aucun câble de masse n'est nécessaire. Vérifiez si le voltage mentionné sur la plaque signalétique de la machine correspond bien à la tension de secteur présente sur lieu.

- ◆ Si le câble d'alimentation est endommagé, il doit être remplacé par le fabricant ou par un centre de réparation agréé Black & Decker afin d'éviter tout accident.

Caractéristiques

Cet outil comprend toutes ou certaines des caractéristiques suivantes.

1. Interrupteur marche/arrêt
2. Bouton de verrouillage
3. Bouton de contrôle de vitesse variable
4. Bouton de sélection de mode
5. Levier de blocage de la lame
6. Porte-lame
7. Patin
8. Bouton de verrouillage du patin
9. Bouton de volute
10. Compartiment de rangement des lames

Assemblage

Attention ! Avant l'assemblage, assurez-vous que l'outil est éteint et débranché.

Montage de la lame (fig. A)

- ◆ Tenez la lame (11) comme illustré, dents vers le haut.
- ◆ Poussez le levier (5) vers le bas.
- ◆ Enfoncez la tige de la lame de scie à fond dans le support de lame (6).
- ◆ Relâchez le levier.
- ◆ Réglez le galet de support de lame comme indiqué ci-dessous.

Réglage du galet de support de lame (fig. A & B)

Après avoir installé la lame, vous devez régler le galet de support de lame (12).

- ◆ Faites tourner la vis de réglage du support de lame (13) dans le sens inverse des aiguilles d'une montre.
- ◆ Glissez le galet de support de lame contre l'arrière de la lame. La lame doit se trouver dans l'encoche centrale du galet.
- ◆ Faites tourner la vis de réglage du support de lame dans le sens des aiguilles d'une montre pour verrouiller le support de lame.

Branchement d'un aspirateur sur l'outil (fig. C & D)

- ◆ Alignez l'adaptateur d'extraction de poussière (14) avec le patin comme montré.
- ◆ Insérez les ailettes (15) dans les fentes (16).
- ◆ Poussez l'adaptateur vers l'arrière pour le bloquer en position.
- ◆ Raccordez le tuyau de l'aspirateur (17) (non fourni) à l'adaptateur.

L'extraction de poussière n'est pas possible quand vous faites des coupes de biais.

Attention ! N'utilisez pas l'adaptateur d'extraction de poussière lorsque vous sciez du métal.

Utilisation

Attention ! Laissez l'outil fonctionner à sa propre vitesse. Ne le surchargez pas.

Attention ! N'utilisez jamais l'outil quand le patin est desserré ou démonté.

Réglage du patin pour les coupes de biais (fig. E)

Le patin peut être réglé à un angle de biseautage de 45° maximum à gauche ou à droite.

- ◆ Tournez le bouton de verrouillage (8) dans le sens A pour déverrouiller le patin (7).
- ◆ Enfoncez le patin (7) vers l'arrière et placez-le à l'angle souhaité. Vous pouvez utiliser l'échelle graduée ou une clé de serrage angulaire pour vérifier l'angle.
- ◆ Tournez le bouton de verrouillage (8) dans le sens B pour verrouiller le patin.

Pour replacer le patin en position de coupes droites :

- ◆ Tournez le bouton de verrouillage (8) dans le sens A pour déverrouiller le patin (7).
- ◆ Enfoncez le patin vers l'arrière et placez-le à un angle d'environ 0°.
- ◆ Poussez le patin vers l'avant.
- ◆ Tournez le bouton de verrouillage (8) dans le sens B pour verrouiller le patin. Vérifiez que le patin est supporté par les ailettes de guidage.

Réglage du mode de fonctionnement (fig. F)

En mode de coupe rectiligne, la lame de scie peut être réglée et verrouillée sur 4 positions : marche avant, arrière, à gauche ou à droite.

- ◆ Tournez le sélecteur de mode (4) en position A (mode volute).
- ◆ Faites pivoter la lame de scie dans le sens désiré à l'aide du bouton de volute (9).
- ◆ Tournez le sélecteur de mode (4) en position B (mode coupe rectiligne). Dans cette position, le bouton de volute ne peut pas pivoter. La lame de scie est bloquée en position.

Mode volute

En mode volute, la lame de scie peut pivoter pour des découpes complexes et précises. Il est recommandé d'utiliser des lames de scie adaptées aux volutes pour ce mode.

- ◆ Tournez le sélecteur de mode (4) en position A (mode volute). Dans cette position il n'y a aucun effet pendulaire.

Mode d'action pendulaire

En mode d'action pendulaire, la lame de scie est verrouillée dans le sens de marche avant pour une coupe rectiligne rapide.

- ◆ Tournez le sélecteur de mode (4) en position A (mode volute).
- ◆ Faites pivoter la lame de scie dans le sens de marche avant à l'aide du bouton de volute (9).
- ◆ Tournez le sélecteur de mode (4) en position C (mode d'action pendulaire). Dans cette position, le bouton de volute ne peut pas pivoter. La lame de scie est bloquée en position.

Variateur de vitesse

- ◆ Réglez la vitesse voulue avec le variateur de vitesse (3). Utilisez une vitesse rapide pour le bois, moyenne pour l'aluminium et le PVC et faible pour les métaux autres que l'aluminium.

Démarrage et arrêt

- ◆ Pour allumer l'outil, appuyez sur l'interrupteur marche/arrêt (1).
- ◆ Pour un fonctionnement en continu, appuyez sur le bouton de verrouillage (2) et relâchez l'interrupteur marche/arrêt.
- ◆ Pour éteindre l'outil, relâchez le bouton marche/arrêt. Pour éteindre l'outil lorsqu'il est en fonctionnement continu, appuyez sur l'interrupteur marche/arrêt une fois de plus et relâchez-le.

Utilisation de la fonction SightLine™ (fig. G)

- ◆ Marquez la ligne de coupe au crayon.
- ◆ Placez la scie sauteuse sur la ligne (18).

En regardant droit au-dessus de la scie sauteuse, il est facile de suivre la ligne de coupe. Si pour une raison quelconque, la ligne se voyait mal, le renforcement (19) peut être utilisé comme guide de coupe.

Conseils pour une utilisation optimale

Comment scier du contreplaqué

Étant donné que la lame de scie découpe en course ascendante, la pièce à travailler peut éclater sur la surface proche du patin.

- ◆ Utilisez une lame de scie à dents fines.
- ◆ Sciez sur l'envers de la pièce.
- ◆ Pour des coupes nettes, fixez une chute de bois ou une planche au-dessus et en dessous de la pièce et coupez au travers de cette superposition.

Volute

- ◆ Utilisez une lame de scie adaptée pour chantourner le bois.
- ◆ En tenant l'outil d'une seule main, déplacez-le lentement pour suivre la ligne de découpe tout en actionnant le bouton de volute.

Scier du métal

- ◆ Souvenez-vous qu'il est beaucoup plus long de scier des métaux que de scier du bois.
- ◆ Utilisez une lame de scie adaptée pour scier le métal.
- ◆ Pour couper des feuillards de métal fins, fixez une chute de bois sur l'envers de la pièce et découpez à travers cette superposition.
- ◆ Répandez une fine couche d'huile le long de la ligne de coupe avant de scier.

Accessoires

Les performances de votre outil dépendent de l'accessoire que vous utilisez. Les accessoires Black & Decker et Piranha sont conçus selon les normes de haute qualité pour améliorer les performances de votre outil. En utilisant ces accessoires, vous obtiendrez les meilleurs résultats de votre outil.

Cet outil convient aux lames de scies à queue en U et en T.

Entretien

Votre outil a été conçu pour fonctionner pendant longtemps avec un minimum d'entretien. Un fonctionnement continu satisfaisant dépend d'un nettoyage régulier et d'un entretien approprié de l'outil.

Attention ! Avant d'effectuer tout entretien, éteignez et débranchez l'outil.

- ◆ Nettoyez régulièrement les orifices de ventilation de votre outil à l'aide d'une brosse douce ou d'un chiffon sec.
- ◆ Nettoyez régulièrement le compartiment du moteur à l'aide d'un chiffon humide. N'utilisez pas de produit abrasif ou à base de solvant.
- ◆ Appliquez de temps en temps une goutte d'huile sur l'axe du galet de support de lame.

Protection de l'environnement



Collecte séparée. Ce produit ne doit pas être jeté avec les déchets domestiques normaux.

Si vous décidez de remplacer ce produit Black & Decker, ou si vous n'en avez plus l'utilité, ne le jetez pas avec vos déchets domestiques. Rendez-le disponible pour une collecte séparée.



La collecte séparée des produits et emballages usés permet le recyclage des articles afin de les utiliser à nouveau. Le fait d'utiliser à nouveau des produits recyclés permet d'éviter la pollution environnementale et de réduire la demande de matières premières.

Les réglementations locales peuvent permettre la collecte séparée des produits électriques du foyer, dans des déchetteries municipales ou auprès du revendeur vous ayant vendu votre nouveau produit.

Black & Decker fournit un dispositif permettant de collecter et de recycler les produits Black & Decker lorsqu'ils ont atteint la fin de leur cycle de vie. Pour pouvoir profiter de ce service, veuillez retourner votre produit à un réparateur agréé qui se chargera de le collecter pour nous.

Pour connaître l'adresse du réparateur agréé le plus proche de chez vous, contactez le bureau Black & Decker à l'adresse indiquée dans ce manuel. Vous pourrez aussi trouver une liste des réparateurs agréés de Black & Decker et de plus amples détails sur notre service après-vente sur le site Internet à l'adresse suivante : www.2helpU.com

Caractéristiques techniques

	KS2005E Typ.1
Tension	V _{AC} 230
Puissance absorbée	W 600
Nombre de courses (sans charge)	min ⁻¹ 800 - 3.200
Profondeur de coupe max.	
Bois	mm 65
Acier	mm 4
Aluminium	mm 10
Poids	kg 2,8

Niveau de pression acoustique selon EN 60745 :
 Pression acoustique (L_{pA}) 92 dB(A), incertitude (K) 3 dB(A)
 Puissance acoustique (L_{WA}) 103 dB(A), incertitude (K) 3 dB(A)

Valeurs totales de vibration (somme vectorielle triax) selon EN 60745 :

Coupe du bois (a_h) 11,00 m/s², incertitude (K) 2,6 m/s²
 Coupe du métal (a_n) 13,96 m/s², incertitude (K) 5,6 m/s²

Déclaration de conformité CE

DIRECTIVE MACHINES



Black & Decker déclare que ces produits décrits sous les "caractéristiques techniques" sont conformes avec :
2006/42/CE, EN 60745-1, EN 60745-2-11

Pour en savoir plus, veuillez contacter Black & Decker à l'adresse suivante ou consultez le dos du manuel.

Le soussigné est responsable de la compilation du fichier technique et effectue cette déclaration au nom de Black & Decker.

Kevin Hewitt
Vice-président Ingénierie globale
Black & Decker Europe, 210 Bath Road, Slough,
Berkshire, SL1 3YD
Royaume Uni
18/02/2010

Garantie

Black & Decker est confiant dans la qualité de ses produits et vous offre une garantie très étendue. Ce certificat de garantie est un document supplémentaire et ne peut en aucun cas se substituer à vos droits légaux. La garantie est valable sur tout le territoire des Etats Membres de l'Union Européenne et de la Zone de Libre Echange Européenne.

Si un produit Black & Decker s'avère défectueux en raison de matériaux en mauvaises conditions, d'une erreur humaine, ou d'un manque de conformité dans les 24 mois suivant la date d'achat, Black & Decker garantit le remplacement des pièces défectueuses, la réparation des produits usés ou cassés ou remplace ces produits à la convenance du client, sauf dans les circonstances suivantes :

- ◆ Le produit a été utilisé dans un but commercial, professionnel, ou a été loué.
- ◆ Le produit a été mal utilisé ou avec négligence.
- ◆ Le produit a subi des dommages à cause d'objets étrangers, de substances ou à cause d'accidents.
- ◆ Des réparations ont été tentées par des techniciens ne faisant pas partie du service technique de Black & Decker.

Pour avoir recours à la garantie, il est nécessaire de fournir une preuve d'achat au vendeur ou à un réparateur agréé. Pour connaître l'adresse du réparateur agréé le plus proche de chez vous, contactez le bureau Black & Decker à l'adresse indiquée dans ce manuel. Vous pourrez aussi trouver une liste des réparateurs agréés de Black & Decker et de plus amples détails sur notre service après-vente sur le site Internet à l'adresse suivante : www.2helpU.com

Visitez notre site Web www.blackanddecker.fr pour enregistrer votre nouveau produit Black & Decker et être informé des nouveaux produits et des offres spéciales. Pour plus d'informations concernant la marque Black & Decker et notre gamme de produits, consultez notre site www.blackanddecker.fr

Uso previsto

Il seghetto alternativo Black & Decker è stato progettato per segare legno, plastica e fogli di metallo. L'utensile è stato progettato per un uso individuale.

Precauzioni di sicurezza

Avvisi generali di sicurezza per l'elettrotensile



Attenzione! Leggere tutti gli avvisi e le istruzioni di sicurezza. La mancata osservanza dei seguenti avvisi e istruzioni potrebbe causare scosse elettriche, incendi e/o infortuni gravi.

Conservare tutte gli avvisi e le istruzioni per consultazioni future. Il termine "elettrotensile" che ricorre in tutte le seguenti avvertenze si riferisce ad utensili elettrici con o senza filo.

1. Sicurezza dell'area di lavoro
 - a. **Mantenere pulita e bene illuminata l'area di lavoro.** Il disordine o la scarsa illuminazione possono causare incidenti.
 - b. **Evitare d'impiegare gli elettrotensili in ambienti esposti al rischio di esplosione, ad esempio in presenza di liquidi, gas o polveri infiammabili.** Gli elettrotensili producono scintille che possono far infiammarsi la polvere o i fumi.
 - c. **Mantenere lontani bambini ed astanti mentre si usa l'elettrotensile.** Eventuali distrazioni possono comportare la perdita del controllo dell'elettrotensile.
2. Sicurezza elettrica
 - a. **La spina elettrica deve essere adatta alla presa. Evitare assolutamente di alterare la spina.** Non impiegare spine adattatrici con elettrotensili provvisti di messa a terra. L'uso di spine inalterate e corrispondenti alle prese della rete domestica riduce il rischio di scosse elettriche.
 - b. **Evitare il contatto fisico con superfici collegate a terra, come tubi, radiatori, forni e frigoriferi.** Un corpo collegato a terra è esposto maggiormente al rischio di scosse elettriche.
 - c. **Custodire gli elettrotensili al riparo dalla pioggia o dall'umidità.** L'eventuale infiltrazione di acqua in un elettrotensile aumenta il rischio di scosse elettriche.
 - d. **Non esporre il cavo a sollecitazioni. Non usare il cavo per trasportare o trainare l'elettrotensile e non tirarlo per estrarre la spina dalla presa di corrente.** Mantenere il cavo a distanza da fonti di calore, olio, bordi taglienti e/o parti in movimento. I cavi elettrici danneggiati o aggrovigliati aumentano il rischio di scosse elettriche.
 - e. **Se l'elettrotensile viene adoperato all'aperto, usare esclusivamente prolunghie omologate per l'impiego all'esterno.** Un cavo adatto per impieghi all'esterno riduce il rischio di scosse elettriche.
3. Sicurezza delle persone
 - a. **È importante concentrarsi su ciò che si sta facendo e maneggiare con giudizio l'elettrotensile.** Non adoperare l'elettrotensile se si è stanchi o sotto l'effetto di stupefacenti, alcol o medicinali. Un attimo di distrazione durante l'uso dell'elettrotensile può causare gravi infortuni personali.
 - b. **Indossare un equipaggiamento protettivo. Utilizzare sempre occhiali protettivi di sicurezza.** Indossando un equipaggiamento protettivo, ad esempio: maschera antipolvere, calzature di sicurezza con suola antiscivolo, casco e protezioni per l'udito, in condizioni adeguate, si riduce il rischio di lesioni personali.
 - c. **Evitare l'accensione involontaria dell'elettrotensile. Verificare che l'interruttore di accensione sia posizionato su off prima di collegare il cavo di alimentazione o la batteria, di sollevare o trasportare l'elettrotensile.** Trasportare gli elettrotensili con il dito sull'interruttore di accensione o collegare all'alimentazione elettrotensili con l'interruttore posizionato su on, favorisce il verificarsi di incidenti.
 - d. **Prima di accendere un elettrotensile, togliere eventuali chiavi o attrezzi di regolazione.** Un attrezzo o una chiave lasciati in un componente mobile dell'elettrotensile possono causare lesioni.
 - e. **Non sporgersi. Mantenere sempre un buon equilibrio evitando posizioni malsicure.** In questo modo è possibile controllare meglio l'elettrotensile in situazioni inaspettate.
 - f. **Vestirsi adeguatamente. Evitare di indossare indumenti larghi o gioielli. Tenere capelli, vestiti e guanti lontani dalle parti in movimento.** Vestiti larghi, gioielli o capelli lunghi possono impigliarsi nei componenti in movimento.
 - g. **Se gli elettrotensili sono provvisti di attacchi per la connessione di dispositivi di aspirazione o raccolta della polvere, assicurarsi che questi siano installati e utilizzati correttamente.** L'uso di un dispositivo di aspirazione può ridurre i rischi correlati alle polveri.
4. Uso e cura degli elettrotensili
 - a. **Non sovraccaricare l'elettrotensile.** Usare un elettrotensile idoneo al lavoro da eseguire. Un elettrotensile appropriato permetterà una migliore e più sicura lavorazione alla potenza nominale prevista.
 - b. **Non utilizzare elettrotensili con interruttori difettosi.** Un elettrotensile che non può essere controllato

- mediante l'interruttore è pericoloso e deve essere riparato.
- c. **Scollegare la spina dalla presa e/o estrarre la batteria dall'elettrotensile prima di eseguire regolazioni, di sostituire degli accessori o di riporre l'elettrotensile.** Queste precauzioni riducono le possibilità che l'elettrotensile venga messo in funzione accidentalmente.
 - d. **Quando non vengono usati, gli elettrotensili devono essere custoditi fuori della portata dei bambini. Non consentire l'uso dell'elettrotensile a persone inesperte o che non abbiano letto le presenti istruzioni.** Gli elettrotensili risultano pericolosi se usati da persone inesperte.
 - e. **Sottoporre gli elettrotensili alle procedure di manutenzione del caso. Verificare che le parti mobili siano bene allineate e non inceppate, che non vi siano componenti rotti e che non sussistano altre condizioni che possano compromettere il funzionamento dell'elettrotensile. In caso di danni, riparare l'elettrotensile prima dell'uso.** La scarsa manutenzione causa molti incidenti.
 - f. **Mantenere affilati e puliti gli utensili da taglio.** Se sottoposti alla corretta manutenzione, gli utensili da taglio con taglienti affilati s'inceppano meno frequentemente e sono più facili da manovrare.
 - g. **Utilizzare l'elettrotensile, gli accessori, le punte ecc. in conformità alle presenti istruzioni, tenendo conto delle condizioni lavorative e del tipo di lavoro da eseguire.** L'impiego degli elettrotensili per usi diversi da quelli previsti può dar luogo a situazioni di pericolo.

5. Riparazioni

- a. **Fare riparare l'elettrotensile solo ed esclusivamente da personale specializzato e solo impiegando pezzi di ricambio originali.** Ciò permetterà di conservare le condizioni di sicurezza dell'elettrotensile.

Ulteriori avvisi di sicurezza per l'elettrotensile



Attenzione! Ulteriori avvisi di sicurezza per segchetti alternativi e segatrici alternative

- ◆ **Eseguendo lavori in cui l'utensile da taglio può entrare in contatto con linee elettriche nascoste o con il cavo di alimentazione, afferrare l'elettrotensile tramite le apposite impugnature isolanti.** Il contatto dell'accessorio da taglio con una "linea sotto tensione", può sottoporre a tensione le parti metalliche dell'elettrotensile e provocare una scossa elettrica.
- ◆ **Utilizzare morsetti o un altro metodo sicuro per fissare e supportare il pezzo in lavorazione su una piattaforma stabile.** Se il pezzo in lavorazione è sostenuto a mano o appoggiato al proprio corpo, rimane in posizione instabile e si possono verificare perdite di controllo.

- ◆ **Mantenere le mani distanti dall'area di taglio.** Non toccare mai la parte sotto il pezzo in lavorazione, per nessun motivo. Non inserire le dita vicino alla lama del seghetto alternativo e al fermalama. Non stabilizzare il seghetto bloccando la piastra base.
- ◆ **Mantenere le lame affilate.** Lame non affilate o danneggiate possono deviare o bloccare il seghetto sotto pressione. Usare sempre lame di tipo adatto al materiale in lavorazione e al tipo di taglio.
- ◆ **Tagliando tubi o condutture, verificare che non contengano acqua, cavi elettrici, ecc.**
- ◆ **Non toccare il pezzo in lavorazione o la lama immediatamente dopo la lavorazione.** Possono diventare molto caldi.
- ◆ **Porre attenzione ai pericoli nascosti:** prima di eseguire tagli in pareti, pavimenti o soffitti, verificare l'ubicazione di cavi elettrici e tubazioni.
- ◆ **La lama continuerà a muoversi dopo aver rilasciato l'interruttore.** Prima di poggiare la sega, spegnerla e attendere sempre che la lama si arresti completamente.

Attenzione! Il contatto o l'inalazione di polveri generate dalle operazioni di taglio può creare rischi per la salute dell'operatore e degli eventuali astanti. Indossare una mascherina antipolvere specifica per polveri e fumi e controllare che anche le persone presenti o in arrivo nell'area di lavoro siano adeguatamente protette.

- ◆ **Questo elettrotensile non è destinato ad essere utilizzato da persone (bambini inclusi) con ridotte capacità fisiche, sensoriali o mentali, senza esperienza o non in possesso delle dovute conoscenze, senza la supervisione o l'addestramento sull'uso dell'elettrotensile da parte di una persona responsabile per la loro sicurezza.** Controllare i bambini per evitare che giochino con l'elettrotensile.
- ◆ **L'utilizzo previsto è quello indicato nel presente manuale.** L'utilizzo di qualsiasi accessorio o attrezzatura o l'uso del presente elettrotensile per scopi diversi da quelli consigliati nel presente manuale d'istruzioni potrebbero comportare il rischio di infortuni e/o danni alle proprietà.

Sicurezza altrui

- ◆ **Questo elettrotensile non è destinato ad essere utilizzato da persone (bambini inclusi) con ridotte capacità fisiche, sensoriali o mentali, senza esperienza o non in possesso delle dovute conoscenze, senza la supervisione o l'addestramento da parte di una persona responsabile per la loro sicurezza.**
- ◆ **Controllare i bambini per evitare che giochino con l'elettrotensile.**

Rischi residui.

Altri rischi residui che possono sorgere durante l'impiego dell'elettrotensile e che possono non essere stati contemplati dagli allegati avvisi di sicurezza. Tali rischi possono sorgere a

seguito di un uso prolungato o improprio, ecc.

Perfino adottando gli appositi regolamenti di sicurezza e utilizzando i dispositivi di sicurezza, certi rischi residui non possono essere evitati. Essi comprendono:

- ◆ Lesioni causate o subite a seguito del contatto con parti rotanti/in movimento.
- ◆ Lesioni causate o subite durante la sostituzione di parti, lame o accessori.
- ◆ Lesioni causate dall'impiego prolungato di un elettrotensile. Quando si usa qualsiasi elettrotensile per lunghi periodi, accertarsi di fare regolarmente delle pause.
- ◆ Problemi di udito.
- ◆ Rischi per la salute causati dall'aspirazione di polvere generata dall'utilizzo dell'elettrotensile (ad esempio quando si lavora con il legno, in modo particolare quello di quercia, faggio o l'MDF).

Vibrazioni

I valori delle vibrazioni dichiarati nei dati tecnici e nella dichiarazione di conformità sono stati misurati in conformità ai metodi di test standard descritti in: EN 60745 e possono essere utilizzati per comparare due elettrotensili. I valori di emissioni dichiarati possono essere usati anche per una valutazione preliminare dell'esposizione.

Attenzione! Il valore delle vibrazioni durante l'uso dell'elettrotensile può differire dai valori dichiarati a seconda del modo in cui viene usato l'elettrotensile. Il livello di vibrazioni può aumentare rispetto al livello nominale.

Quando si valuta l'esposizione alle vibrazioni e si stabiliscono le misure di sicurezza richieste dalla direttiva 2002/44/CE per proteggere il personale che utilizza regolarmente gli elettrotensili nello svolgimento delle proprie funzioni, considerare una stima dell'esposizione alle vibrazioni, le effettive condizioni d'uso e il modo in cui l'elettrotensile viene usato, analizzando tutte le parti del ciclo operativo, ovvero i periodi in cui l'elettrotensile è spento o gira a vuoto, oltre al tempo in cui è in uso.

Etichette sull'elettrotensile

Sull'elettrotensile sono presenti le seguenti immagini:



Attenzione! Per ridurre il rischio di lesioni, l'utente è tenuto a leggere il presente manuale di istruzioni.

Sicurezza elettrica



Il doppio isolamento di cui è provvisto l'elettrotensile rende superfluo il filo di terra. Controllare sempre che l'alimentazione corrisponda alla tensione indicata sulla targhetta delle caratteristiche.

- ◆ Se il cavo elettrico in dotazione risulta danneggiato, deve essere sostituito dal produttore o da un Centro di assistenza autorizzato Black & Decker, onde evitare rischi.

Funzioni

Questo elettrotensile è dotato di tutte le caratteristiche elencate di seguito, o di alcune di esse.

1. Interruttore acceso/spento
2. Pulsante di bloccaggio
3. Manopola di regolazione velocità
4. Interruttore di selezione modalità
5. Leva di bloccaggio lama
6. Supporto per la lama
7. Piastra base
8. Manopola di bloccaggio della piastra base
9. Manopola di orientamento
10. Vano per riporre la lama

Montaggio

Attenzione! Prima di montarlo assicuratevi che l'utensile sia spento e desinserito.

Installazione della lama della sega (fig. A)

- ◆ Mantenere la lama (11) come mostrato in figura, con i denti rivolti in avanti.
- ◆ Spingere in basso la leva (5).
- ◆ Inserire il codolo della lama nel supporto della lama (6) per tutta la lunghezza possibile.
- ◆ Rilasciare la leva.
- ◆ Regolare il rullo di sostegno della lama come descritto di seguito.

Regolazione del rullo di sostegno lama (fig. A & B)

Dopo avere installato la lama, è necessario regolarne il rullo di sostegno (12).

- ◆ Ruotare la vite di regolazione (13) del supporto della lama in senso antiorario.
- ◆ Fare scivolare il rullo di sostegno lama contro il lato posteriore della stessa. La lama deve alloggiarsi nella cavità centrale del rullo.
- ◆ Ruotare la vite di regolazione del supporto della lama in senso orario per bloccarlo in posizione.

Connessione di un aspirapolvere all'utensile (fig. C & D)

- ◆ Allineare l'adattatore per l'aspirapolvere (14) con la base della sega, come illustrato.
- ◆ Inserire le linguette (15) nelle fessure (16).
- ◆ Spingere all'indietro l'adattatore per bloccarlo in posizione.
- ◆ Connettere all'adattatore il flessibile dell'aspirapolvere (17) (non in corredo).

Non è possibile aspirare la polvere quando si eseguono dei tagli inclinati.

Attenzione! Non utilizzare l'adattatore per l'aspirazione della polvere per segare metalli.

Uso

Attenzione! Lasciare che l'utensile lavori al suo ritmo, senza sovraccaricarlo.

Attenzione! Non usare mai l'utensile se la piastra base è allentata o è stata smontata.

Regolazione della piastra base per tagli inclinati (fig. E)

La piastra base può essere regolata con un angolo di inclinazione massimo di 45° a sinistra o destra.

- ◆ Ruotare la manopola di bloccaggio (8) in direzione A per sbloccare la piastra base (7).
- ◆ Tirare indietro la piastra base (7) e regolarla sull'angolo desiderato. L'angolo può essere controllato utilizzando la scala o un goniometro.
- ◆ Ruotare la manopola di bloccaggio (8) in direzione B per bloccare in posizione la piastra base.

Per regolare la piastra base per i tagli dritti, procedere come segue:

- ◆ Ruotare la manopola di bloccaggio (8) in direzione A per sbloccare la piastra base (7).
- ◆ Tirare indietro la piastra base e regolarla su un angolo di circa 0°.
- ◆ Spingere in avanti la piastra base.
- ◆ Ruotare la manopola di bloccaggio (8) in direzione B per bloccare in posizione la piastra base. Assicurarsi che le linguette guida sostengano la piastra base.

Impostazione della modalità operativa (fig. F)

In modalità di taglio rettilineo, la lama può essere orientata e bloccata in 4 posizioni: avanti, indietro, sinistra e destra.

- ◆ Ruotare l'interruttore di selezione della modalità (4) sulla posizione A (modalità di taglio sagomato).
- ◆ Ruotare la lama nella direzione desiderata per mezzo della manopola di orientamento (9).
- ◆ Ruotare l'interruttore di selezione della modalità (4) sulla posizione B (modalità di taglio rettilineo). In questa posizione la manopola di orientamento non può essere ruotata. La lama è bloccata nella sua posizione.

Modalità di taglio sagomato

In modalità di taglio sagomato, la lama può essere ruotata per ottenere tagli complessi ed accurati. Utilizzare una lama idonea ad eseguire tagli sagomati in questa modalità.

- ◆ Ruotare l'interruttore di selezione della modalità (4) sulla posizione A (modalità di taglio sagomato). In questa posizione non è disponibile alcuna azione pendolare.

Modalità di taglio pendolare.

In modalità di taglio pendolare, la lama è bloccata nella direzione frontale per tagli rettilinei rapidi.

- ◆ Ruotare l'interruttore di selezione della modalità (4) sulla posizione A (modalità di taglio sagomato).
- ◆ Ruotare la lama in direzione frontale per mezzo della manopola di orientamento (9).
- ◆ Ruotare l'interruttore di selezione della modalità (4) sulla posizione C (modalità di taglio pendolare). In questa posizione la manopola di orientamento non può essere ruotata. La lama è bloccata nella sua posizione.

Comando per la regolazione della velocità

- ◆ Posizionare la manopola di regolazione velocità (3) sulla velocità desiderata. Utilizzare l'alta velocità per il legno, la velocità media per l'alluminio e il PVC e la bassa velocità per i metalli diversi dall'alluminio.

Avviamento e spegnimento

- ◆ Per accendere l'elettrotensile, premere l'interruttore on/off (1).
- ◆ Per un funzionamento continuo, premere il pulsante di blocco (2) e rilasciare l'interruttore on/off.
- ◆ Per spegnere l'elettrotensile, rilasciare l'interruttore di on/off. Per spegnere l'elettrotensile in modalità di funzionamento continuo, premere ancora una volta e poi rilasciare l'interruttore on/off.

Uso della funzione SightLine™ (fig. G)

- ◆ Marcare la linea di taglio con una matita.
- ◆ Posizionare il seghetto sopra la linea (18).

È facile seguire la linea del taglio se la si osserva direttamente da sopra il seghetto. Se, per qualsiasi motivo, la vista risulta ostacolata, è possibile usare la tacca (19) come ulteriore guida per il taglio.

Consigli per un'ottima utilizzazione

Taglio di laminati

La lama della sega completa il taglio durante la corsa verso l'alto, per cui sulla superficie più vicina alla piastra base possono prodursi delle scheggiature.

- ◆ Fare uso di una lama a denti sottili.
- ◆ Eseguire il taglio a partire dalla superficie posteriore del pezzo.
- ◆ Per ridurre al minimo le scheggiature, fissare un pezzo di compensato o di truciolato su entrambi i lati del pezzo da lavorare e tagliare l'insieme risultante.

Taglio sagomato

- ◆ Utilizzare una lama idonea ad eseguire tagli sagomati su legno.

- ◆ Sostenere l'utensile con una mano e muoverlo lentamente, seguendo la linea di taglio ed allo stesso tempo agire sulla manopola di orientamento.

Taglio di metalli

- ◆ Il taglio di metalli richiede molto più tempo del taglio del legno.
- ◆ Utilizzare una lama adatta a segare il metallo.
- ◆ Quando si lavora con metallo in fogli, fissare un pezzo di compensato sulla superficie posteriore del foglio e tagliare l'insieme risultante.
- ◆ Prima di procedere con il taglio, lubrificare la linea di taglio con uno strato di olio.

Accessori

Le prestazioni dell'utensile dipendono dall'accessorio usato. Gli accessori Black & Decker e Piranha, che sono prodotti di altissima qualità, sono stati progettati per ottimizzare la resa dell'utensile. Quando si scelgono questi accessori l'utensile offre prestazioni eccellenti.

Questo utensile è compatibile con punte con stelo a U e a T.

Manutenzione

Questo elettrotensile è stato progettato per funzionare a lungo con un minimo di manutenzione. Per un funzionamento sempre soddisfacente è necessario avere cura dell'elettrotensile e provvedere alla regolare pulizia.

Attenzione! Prima di eseguire qualsiasi intervento di manutenzione, spegnere l'elettrotensile e disinserire la spina dalla presa.

- ◆ Le feritoie di ventilazione dell'elettrotensile devono essere pulite regolarmente con un pennello morbido o un panno asciutto.
- ◆ Il vano del motore deve essere pulito regolarmente con un panno umido. Non usare materiali abrasivi o detergenti a base di solventi.
- ◆ Di tanto in tanto lubrificare l'asse del rullo di sostegno lama con una goccia di olio.

Protezione dell'ambiente



Raccolta differenziata. Questo prodotto non deve essere smaltito con i normali rifiuti domestici.

Nel caso in cui si decida di sostituire l'apparecchio oppure di disfarsene in quanto non più necessario, non dovrà essere smaltito con i normali rifiuti domestici. Smaltire il prodotto tramite raccolta differenziata.



La raccolta differenziata di prodotti e imballaggi usati, consente il riciclaggio e il riutilizzo dei materiali. Riutilizzare i materiali riciclati aiuta a prevenire l'inquinamento ambientale e riduce la richiesta di materie prime.

In base alle normative locali, i servizi per la raccolta differenziata di elettrodomestici possono essere disponibili presso i punti di raccolta municipali o presso il rivenditore, al momento dell'acquisto di un nuovo prodotto.

Black & Decker offre ai suoi clienti un servizio per la raccolta differenziata e la possibilità di riciclare i prodotti Black & Decker che hanno esaurito la loro durata in servizio. Per usufruire del servizio, è sufficiente restituire il prodotto a qualsiasi tecnico autorizzato, incaricato della raccolta per conto dell'azienda.

Per individuare il tecnico autorizzato più vicino, rivolgersi alla sede Black & Decker locale, presso il recapito indicato nel presente manuale. Altrimenti un elenco completo di tutti i tecnici autorizzati Black & Decker e i dettagli completi sui contatti e i servizi post-vendita sono disponibili sul sito Internet: www.2helpU.com

Dati tecnici

KS2005E Typ.1	
Tensione	V _{AC} 230
Potenza assorbita	W 600
Numero di corse (a vuoto)	min ⁻¹ 800 - 3.200
Profondità massima di taglio	
Legno	mm 65
Acciaio	mm 4
Alluminio	mm 10
Peso	kg 2,8

Livello di pressione sonora, dati conformi alla norma EN 60745:

Pressione sonora (L_{PA}) 92 dB(A), incertezza (K) 3 dB(A)
Potenza acustica (L_{WA}) 103 dB(A), incertezza (K) 3 dB(A)

Valori totali di vibrazione (somma vettoriale triax) determinati in base a EN 60745:

Taglio del legno (a_n) 11,00 m/s², incertezza (K) 2,6 m/s²
Taglio del metallo (a_n) 13,96 m/s², incertezza (K) 5,6 m/s²

Dichiarazione di conformità CE

DIRETTIVA MACCHINE



Black & Decker dichiara che i prodotti descritti nella sezione "dati tecnici" sono conformi con:
2006/42/CE, EN 60745-1, EN 60745-2-11

Per ulteriori informazioni, contattare Black & Decker ai seguenti indirizzi o consultare il retro del manuale.

Il sottoscritto è responsabile della compilazione del file tecnico e rilascia la presente dichiarazione per conto di Black & Decker.

Kevin Hewitt
Vicepresidente progettazione globale
Black & Decker Europe, 210 Bath Road, Slough,
Berkshire, SL1 3YD
Regno Unito
18/02/2010

Garanzia

Certa della qualità dei suoi prodotti, Black & Decker offre una **garanzia eccezionale**. Il presente certificato di garanzia è complementare ai diritti statutari e non li pregiudica in alcun modo. La garanzia è valida entro il territorio degli Stati membri dell'Unione Europea e dell'EFTA (European Free Trade Area).

Se un prodotto Black & Decker risulta difettoso per qualità del materiale, della costruzione o per mancata conformità entro 24 mesi dalla data di acquisto, Black & Decker garantisce la sostituzione delle parti difettose, provvede alla riparazione dei prodotti se ragionevolmente usurati oppure alla loro sostituzione, in modo da ridurre al minimo il disagio del cliente a meno che:

- ◆ Il prodotto non sia stato destinato ad usi commerciali, professionali o al noleggio;
- ◆ Il prodotto non sia stato usato in modo improprio o scorretto;
- ◆ Il prodotto non abbia subito danni causati da oggetti o sostanze estranee oppure incidenti;
- ◆ Il prodotto non abbia subito tentativi di riparazione non effettuati da tecnici autorizzati né dall'assistenza Black & Decker.

Per attivare la garanzia è necessario esibire la prova comprovante l'acquisto al venditore o al tecnico autorizzato. Per individuare il tecnico autorizzato più vicino, rivolgersi alla sede Black & Decker locale, presso il recapito indicato nel presente manuale. Altrimenti un elenco completo di tutti i tecnici autorizzati Black & Decker e i dettagli completi sui contatti e i servizi post-vendita sono disponibili su Internet presso: www.2helpU.com

I clienti che desiderano registrare il nuovo prodotto Black & Decker e ricevere gli aggiornamenti sui nuovi prodotti e le offerte speciali, sono invitati a visitare il sito Web (www.blackanddecker.it). Ulteriori informazioni sul marchio e la gamma di prodotti Black & Decker sono disponibili all'indirizzo www.blackanddecker.it

Gebruik volgens bestemming

Uw Black & Decker decoupeerzaag is ontworpen voor het zagen van hout, kunststof en metaalplaat. Deze machine is uitsluitend bestemd voor consumentengebruik.

Veiligheidsvoorschriften

Algemene veiligheidswaarschuwingen voor elektrisch gereedschap



Waarschuwing! Lees alle veiligheidsinstructies en alle voorschriften. Wanneer de volgende waarschuwingen en voorschriften niet in acht worden genomen, kan dit een elektrische schok, brand of ernstig letsel tot gevolg hebben.

Bewaar alle waarschuwingen en instructies zorgvuldig.

Het hierna gebruikte begrip "elektrisch gereedschap" heeft betrekking op elektrische gereedschappen voor gebruik op het stroomnet (met netsnoer) of op batterijen (snoerloos).

1. Veiligheid van de werkomgeving

- a. **Houd uw werkomgeving schoon en opgeruimd.**
Een rommelige en een onverlichte werkomgeving kan tot ongevallen leiden.
- b. **Werk niet met elektrische gereedschappen in een omgeving met explosiegevaar, zoals in aanwezigheid van brandbare vloeistoffen, gassen of stof.** Elektrische gereedschappen veroorzaken vonken die het stof of de dampen tot ontsteking kunnen brengen.
- c. **Houd kinderen en andere personen tijdens het gebruik van het elektrische gereedschap uit de buurt.** Wanneer u wordt afgeleid, kunt u de controle over het gereedschap verliezen.

2. Elektrische veiligheid

- a. **De netstekker van het gereedschap moet in het stopcontact passen.** De stekker mag in geen geval worden veranderd. Gebruik geen adapterstekkers in combinatie met geaarde gereedschappen.
Onveranderde stekkers en passende stopcontacten verminderen de kans op een elektrische schok.
- b. **Voorkom aanraking van het lichaam met geaarde oppervlakken, bijvoorbeeld buizen, verwarmingen, fornuizen en koelkasten.** De kans op een elektrische schok is groter als uw lichaam geaard is.
- c. **Stel elektrisch gereedschap niet bloot aan regen en vocht.** In elektrisch gereedschap binnendringend water vergroot de kans op een elektrische schok.
- d. **Gebruik het snoer niet voor een verkeerd doel.**
Gebruik het snoer niet om het gereedschap te dragen, voor te trekken of om de stekker uit het stopcontact te trekken. Houd het snoer uit de buurt van hitte, olie,

scherpe randen of bewegende delen. Beschadigde of in de war geraakte snoeren vergroten de kans op een elektrische schok.

- e. **Gebruik wanneer u buitenshuis met elektrisch gereedschap werkt alleen verlengsnoeren die voor gebruik buitenshuis zijn goedgekeurd.** Het gebruik van een voor gebruik buitenshuis geschikt verlengsnoer verkleint de kans op een elektrische schok.
 - f. **Gebruik een netvoeding voorzien van een reststroomvoorziening (RCD) indien het gebruiken van elektrisch gereedschap op een vochtige locatie onvermijdelijk is.** Gebruik van een reststroomvoorziening verkleint het risico van elektrische schok.
- #### 3. Veiligheid van personen
- a. **Wees alert, let goed op wat u doet en ga met verstand te werk bij het gebruik van elektrische gereedschappen.** Gebruik elektrisch gereedschap niet wanneer u moe bent of onder invloed van drugs, alcohol of medicijnen. Een moment van onoplettendheid bij het gebruik van het gereedschap kan tot ernstige verwondingen leiden.
 - b. **Gebruik persoonlijke beschermende uitrusting. Draag altijd oogbescherming.** Persoonlijke beschermende uitrusting zoals een stofmasker, slipvaste werkschoenen, een veiligheidshelm of gehoorbescherming, gebruikt voor geschikte condities, verkleint het risico van verwondingen.
 - c. **Voorkom onbedoeld inschakelen. Zorg ervoor dat de schakelaar in de "uit"-stand staat voordat u de stekker in het stopcontact steekt, de accu plaatst of het gereedschap oppakt of draagt.** Het dragen van het gereedschap met uw vinger aan de schakelaar of het gereedschap ingeschakeld op de stroomvoorziening aansluiten kan tot ongelukken leiden.
 - d. **Verwijder stelsleutels of moersleutels voordat u het gereedschap inschakelt.** Een sleutel in een draaiend onderdeel van het elektrische gereedschap kan tot verwondingen leiden.
 - e. **Reik niet te ver. Zorg altijd dat u stevig staat en in evenwicht blijft.** Daardoor kunt u het gereedschap in onverwachte situaties beter onder controle houden.
 - f. **Draag geschikte kleding. Draag geen loshangende kleding of sieraden. Houd haren, kleding en handschoenen uit de buurt van bewegende delen.** Loshangende kleding, sieraden en lange haren kunnen bekneld raken in bewegende delen.
 - g. **Sluit eventueel bijgeleverde stofafzuig- of stofopvangvoorzieningen aan en gebruik ze op de juiste manier.** Het gebruik van stofopvang beperkt het gevaar door stof.
- #### 4. Gebruik en onderhoud van elektrische gereedschappen
- a. **Overbelast het gereedschap niet. Gebruik voor uw toepassing het daarvoor bestemde elektrische**

gereedschap. Met het passende elektrische gereedschap werkt u beter en veiliger binnen het aangegeven capaciteitsbereik.

- b. **Gebruik geen elektrisch gereedschap waarvan de schakelaar defect is.** Elektrisch gereedschap dat niet meer kan worden in- of uitgeschakeld is gevaarlijk en moet worden gerepareerd.
 - c. **Trek de stekker uit het stopcontact en/of accu alvorens het gereedschap af te stellen, accessoires te verwisselen of elektrisch gereedschap op te bergen.** Deze voorzorgsmaatregel voorkomt onbedoeld starten van het gereedschap.
 - d. **Bewaar elektrische gereedschappen die niet worden gebruikt buiten bereik van kinderen. Laat personen die niet met het gereedschap vertrouwd zijn of deze aanwijzingen niet hebben gelezen niet met het gereedschap werken.** Elektrische gereedschappen zijn gevaarlijk in de handen van onervaren personen.
 - e. **Verzorg het gereedschap zorgvuldig. Controleer bewegende delen van het gereedschap op goede uitlijning en soepele werking. Controleer of onderdelen niet gebroken zijn of dat de werking van het gereedschap niet op enige andere wijze nadelig wordt beïnvloed. Laat beschadigde delen repareren voordat u met het gereedschap gaat werken.** Veel ongevallen worden veroorzaakt door slecht onderhouden elektrische gereedschappen.
 - f. **Houd snijgereedschappen scherp en schoon.** Zorgvuldig onderhouden snijgereedschappen met scherpe snijkanten lopen minder snel vast en zijn gemakkelijker te sturen.
 - g. **Gebruik elektrische gereedschappen, toebehoren, inzetgereedschappen en dergelijke volgens deze aanwijzingen. Let daarbij op de arbeidsomstandigheden en de uit te voeren werkzaamheden.** Het gebruik van elektrische gereedschappen voor andere dan de voorziene toepassingen kan tot gevaarlijke situaties leiden.
5. Service
- a. **Laat het elektrische gereedschap alleen repareren door een gekwalificeerde reparateur en alleen met gebruik van originele vervangingsonderdelen.** Dit garandeert de veiligheid van het gereedschap.

Aanvullende veiligheidswaarschuwingen voor elektrisch gereedschap



Waarschuwing! Aanvullende veiligheidswaarschuwingen voor decoupeerzagen en reciprozagen

- ◆ **Houd de machine alleen aan de geïsoleerde greepvlakken vast als u werkzaamheden uitvoert**

waarbij het zaagblad verborgen stroomleidingen of de eigen machinekabel kan raken. Het zaagaccessoire dat een onder spanning staande leiding raakt, zetten ook de zichtbare metalen machinedelen onder spanning; dit kan leiden tot een elektrische schok.

- ◆ **Hanteer klemmen of een andere praktische manier om het werkstuk op een stabiele ondergrond vast te klemmen en te ondersteunen.** Het werkstuk met de hand vasthouden of tegen het lichaam houden zorgt voor instabiliteit en kan leiden tot controleverlies.
- ◆ **Houd uw handen uit de buurt van de zaagomgeving.** Grijp om welke reden dan ook nooit onder het werkstuk. Plaats geen vingers of duim in de buurt van het bewegende zaagblad en zaagbladklem. Stabiliseer de zaag niet door het vastpakken van de zaagschoen.
- ◆ **Houd de zaagbladen scherp.** Botte en beschadigde zaagbladen kunnen ervoor zorgen dat de zaag onder druk gaat zwenken of vast komt te zitten. Gebruik altijd het geschikte type zaagblad voor het te bewerken materiaal en de te verrichten zaagsnede.
- ◆ **Wanneer u een pijp of een leiding zaagt, zorg ervoor dat deze vrij zijn van water, elektrische bedrading, etc.**
- ◆ **Raak het werkstuk of zaagblad niet direct aan nadat u de machine heeft gebruikt.** Het werkstuk en zaagblad kunnen erg heet worden.
- ◆ **Let op verborgen gevaren.** Controleer voordat u gaat zagen in muren, vloeren of plafonds de locatie van eventueel aanwezige gas-, water- en elektriciteitsleidingen.
- ◆ **Het zaagblad blijft draaien nadat de schakelaar wordt losgelaten.** Schakel altijd de machine uit en wacht altijd tot het zaagblad volledig tot stilstand is gekomen voordat u de machine neerlegt.

Waarschuwing! Contact met of inademing van stoffen die veroorzaakt worden door zaagtoepassingen kunnen de gezondheid van de gebruiker en mogelijke omstanders ernstig schaden. Draag een stofmasker dat speciaal ontworpen is ter bescherming tegen stoffen en dampen en verzeker u ervan dat andere personen op de werkvloer of die de werkvloer betreden eveneens beschermd zijn.

- ◆ **Deze machine is niet bedoeld voor gebruik door personen (inclusief kinderen) met beperkt lichamelijk, zintuiglijk of geestelijk vermogen, of gebrek aan ervaring en kennis, tenzij hen de supervisie of instructie is gegeven omtrent het gebruik van de machine door een persoon die verantwoordelijk is voor hun veiligheid.** Houd toezicht op kinderen om ervoor te zorgen dat zij niet met het apparaat gaan spelen.
- ◆ **Het gebruik volgens bestemming is beschreven in deze handleiding.** Gebruik ter voorkoming van lichamelijk letsel en/of materiële schade uitsluitend de in deze gebruiksaanwijzing aanbevolen accessoires en hulpstukken. Gebruik het instrument uitsluitend volgens bestemming.

Veiligheid van anderen

- ◆ Dit apparaat is niet bedoeld voor gebruik door personen (inclusief kinderen) met beperkt lichamelijk, zintuigelijk of geestelijk vermogen, of gebrek aan ervaring en kennis, tenzij ze de supervisie of instructie is gegeven omtrent het gebruik van het apparaat door een persoon die verantwoordelijk is voor hun veiligheid.
- ◆ Houd toezicht op kinderen om te voorkomen dat zij met het apparaat gaan spelen.

Overige risico's.

Er kunnen zich tijdens het gebruik van het gereedschap ook andere risico's voordoen die misschien niet in de bijgevoegde veiligheidswaarschuwingen worden vermeld. Deze risico's kunnen zich voordoen als gevolg van onoordeelkundig gebruik, langdurig gebruik, enz.

Zelfs als de veiligheidsvoorschriften in acht worden genomen en de veiligheidsvoorzieningen worden geïmplementeerd, kunnen bepaalde risico's niet worden vermeden. Deze omvatten:

- ◆ **Verwondingen die worden veroorzaakt door het aanraken van draaiende of bewegende onderdelen.**
- ◆ **Verwondingen die worden veroorzaakt bij het vervangen van onderdelen, bladen of accessoires.**
- ◆ **Verwondingen die worden veroorzaakt door langdurig gebruik van het gereedschap. Als u langere periodes met het gereedschap werkt, is het raadzaam om regelmatig een pauze in te lassen.**
- ◆ **Gehoorschadiging.**
- ◆ **Gezondheidsrisico's als gevolg van het inademen van stof dat door gebruik van het gereedschap wordt veroorzaakt (bijvoorbeeld tijdens het werken met hout, vooral eiken, beuken en MDF)**

Vibratie

De verklaarde trillingsafgifte in het gedeelte van de technische gegevens / conformiteitsverklaring zijn gemeten volgens een standaard testmethode vastgesteld door EN 60745 en kan worden gebruikt om apparaten met elkaar te vergelijken. De verklaarde trillingsafgifte kan ook worden gebruikt in een voorlopige beoordeling van blootstelling.

Waarschuwing! De waarde van de trillingsafgifte tijdens daadwerkelijk gebruik van elektrisch gereedschap kan afwijken van de verklaarde waarde afhankelijk op wat voor manieren het apparaat wordt gebruikt. Het trillingsniveau kan toenemen boven het aangegeven niveau.

Bij het bepalen van de trillingsblootstelling ter vaststelling van de veiligheidsmaatregelen vereist door 2002/44/EG - ter bescherming van personen die werkmatig geregeld elektrisch gereedschap gebruiken - dient een inschatting van de

trillingsblootstelling de feitelijke gebruikscondities en bedieningswijze in acht te nemen, inclusief alle onderdelen van de bedieningscyclus, zoals het uitschakelen van het apparaat en het onbelast laten lopen alsmede de trekkertijd.

Labels op de machine

Op de machine vindt u de volgende pictogrammen:



Waarschuwing! De gebruiker moet de handleiding lezen om risico op letsel te verkleinen

Elektrische veiligheid



Deze machine is dubbel geïsoleerd: een aardaansluiting is daarom niet noodzakelijk. Controleer altijd of uw netspanning overeenkomt met de waarde op het typeplaatje.

- ◆ Indien het netsnoer is beschadigd, dient het ter voorkoming van gevaren te worden vervangen door de fabrikant of een erkend servicecentrum.

Onderdelen

Al naar gelang de uitvoering beschikt deze machine over de volgende onderdelen.

1. Aan/uit-schakelaar
2. Vergrendelingsknop
3. Snelheidsinstelknop
4. Functiekeuzeschakelaar
5. Vergrendelingshendel voor het zaagblad
6. Zaagbladhouder
7. Zaagschoen
8. Vergrendelingsknop voor de zaagschoen
9. Knop voor figuurzagen
10. Opbergvak voor het zaagblad

Montage

Waarschuwing! Zorg vóór aanvang van de montage dat de machine is uitgeschakeld en de netstekker van het lichtnet is losgekoppeld.

Bevestigen van het zaagblad (fig. A)

- ◆ Houd het zaagblad (11) zoals afgebeeld, met de tanden naar voren gericht.
- ◆ Duw de hendel (5) naar beneden.
- ◆ Steek de schacht van het zaagblad zover mogelijk in de zaagbladhouder (6).
- ◆ Laat de hefboom los.
- ◆ Stel de steunrol voor het zaagblad af zoals hieronder beschreven.

Afstellen van de steunrol voor het zaagblad (fig. A & B)

Na het aanbrengen van het zaagblad, moet u de steunrol voor het zaagblad (12) afstellen.

- ◆ Draai de instelschroef voor de zaagbladondersteuning (13) linksom.
- ◆ Schuif de steunrol voor het zaagblad tegen de achterkant van het zaagblad. Het zaagblad moet in centrale uitsparing van de steunrol vallen.
- ◆ Draai de instelschroef voor de zaagbladondersteuning rechtsom om de zaagbladondersteuning op haar plaats te vergrendelen.

Aansluiten van een stofzuiger op het apparaat (fig. C & D)

- ◆ Houd de stofzuigadapter (14) tegen de zaagschoen, zoals aangegeven.
- ◆ Steek de ribben (15) in de sleuven (16).
- ◆ Duw de adapter naar achteren om hem op zijn plaats te klikken.
- ◆ Sluit het mondstuk van de stofzuigerslang (17) (niet meegeleverd) aan op het tussenstuk.

Het is niet mogelijk om stof af te zuigen tijdens het verstekzagen.

Waarschuwing! Gebruik de stofzuigadapter niet bij het zagen van metaal.

Gebruik

Waarschuwing! Laat de machine op haar eigen tempo werken. Niet overbelasten.

Waarschuwing! Gebruik de machine nooit wanneer de zaagschoen los of verwijderd is.

Instellen van de zaagschoen voor verstekzagen (fig. E)

De zaagschoen kan naar links en naar rechts tot een verstekhoek van 45° worden ingesteld.

- ◆ Draai de vergrendelingsknop (8) in richting A om de zaagschoen (7) te verwijderen.
- ◆ Trek de zaagschoen (7) naar achteren en stel deze op de gewenste hoek af. U kunt de schaalverdeling of een hoekmeter gebruiken om de hoek te controleren.
- ◆ Draai de vergrendelingsknop (8) in richting B om de zaagschoen op de juiste plaats te vergrendelen.

Om de zaagschoen weer voor rechte zaagsneden af te stellen:

- ◆ Draai de vergrendelingsknop (8) in richting A om de zaagschoen (7) te verwijderen.
- ◆ Trek de zaagschoen naar achteren en stel deze af op een hoek van ongeveer 0°.
- ◆ Duw de zaagschoen naar voren

- ◆ Draai de vergrendelingsknop (8) in richting B om de zaagschoen op de juiste plaats te vergrendelen. Zorg dat de zaagschoen wordt ondersteund door de geleideribben.

Instellen van de werkmodus (fig. F)

In de modus voor recht zagen kan het zaagblad in 4 posities worden ingesteld en vergrendeld: naar voren, naar achteren, links of rechts.

- ◆ Draai de modusselectieschakelaar (4) naar positie A (figuurzaagmodus).
- ◆ Draai het zaagblad in de gewenste richting met behulp van de knop voor figuurzagen (9).
- ◆ Draai de modusselectieschakelaar (4) naar positie B (modus voor recht zagen). In deze positie kan de knop voor figuurzagen niet worden gedraaid. Het zaagblad is op zijn plaats vergrendeld.

Figuurzaagmodus

In de figuurzaagmodus kan het zaagblad worden gedraaid voor complex en accuraat zagen. Het is aanbevolen zaagbladen te gebruiken die geschikt zijn voor figuurzagen in deze modus.

- ◆ Draai de modusselectieschakelaar (4) naar positie A (figuurzaagmodus). In deze positie is er geen pendelbeweging.

Pendelmodus

In de pendelbewegingsmodus is het zaagblad in de voorwaartse richting vergrendeld voor het snel zagen in een rechte lijn.

- ◆ Draai de modusselectieschakelaar (4) naar positie A (figuurzaagmodus).
- ◆ Draai het zaagblad in de voorwaartse richting met behulp van de knop voor figuurzagen (9).
- ◆ Draai de modusselectieschakelaar (4) naar positie C (pendelmodus). In deze positie kan de knop voor figuurzagen niet worden gedraaid. Het zaagblad is op zijn plaats vergrendeld.

Variabele snelheidsregeling

- ◆ Zet de variabele snelheidsregelknop (3) op de gewenste snelheid. Gebruik een hoge snelheid voor hout, een gemiddelde snelheid voor aluminium en PVC en een lage snelheid voor metalen anders dan aluminium.

Aan- en uitschakelen

- ◆ Om de machine in te schakelen, drukt u de aan/uitschakelaar (1) in.
- ◆ Voor continu-bediening: houd de vergrendelingsknop (2) ingedrukt en laat de aan/uitschakelaar los.
- ◆ Om de machine uit te schakelen, laat u de aan/uitschakelaar los. Om de machine uit te schakelen in

continu-bedrijf, drukt u nogmaals op de aan/uit-schakelaar en laat u hem los.

De SightLine™ gebruiken (fig. G)

- ◆ Markeer de zaagsnede met een potlood.
- ◆ Plaats de decoupeerzaag boven de lijn (18).

De zaagsnede kan gemakkelijk van boven de decoupeerzaag worden gevolgd. Mocht de zaagsnede toch niet te zien zijn, dan kan de indeuking (19) als alternatieve zaaggeleider worden gebruikt.

Tips voor optimaal gebruik

Zagen van laminaten

Omdat het zaagblad zaagt tijdens de opwaartse slag, kan het tegen de zaagschoen gelegen oppervlak splinteren.

- ◆ Gebruik een fijngetand zaagblad.
- ◆ Zaag vanaf de achterkant van het werkstuk.
- ◆ Om splinteren tot een minimum te beperken, klemt u een stuk afvalhout of hardboard aan beide kanten van het werkstuk en zaagt u door deze "sandwich".

Figuurzagen

- ◆ Gebruik een zaagblad dat geschikt is voor het figuurzagen van hout.
- ◆ Terwijl u de machine met één hand vasthoudt, beweegt u de machine langzaam over de te volgen zaaglijn terwijl u de knop voor figuurzagen bedient.

Zagen van metaal

- ◆ Bedenk dat het zagen van metaal veel meer tijd vraagt dan het zagen van hout.
- ◆ Gebruik een zaagblad dat geschikt is voor het zagen van metaal.
- ◆ Voor het zagen van dun plaatmateriaal klemt u een stuk afvalhout tegen de achterkant van het werkstuk en zaagt u door deze "sandwich".
- ◆ Smeer een oliefilm langs de zaagsnede.

Accessoires

De prestaties van uw machine hangen af van welke accessoire u gebruikt. Black & Decker en Piranha accessoires zijn ontwikkeld om te voldoen aan hoge kwaliteitseisen en ontworpen om de prestaties van uw machine te verbeteren. Met behulp van deze accessoires haalt u het beste uit uw machine.

Deze machine is geschikt voor zaagbladen met een U-schacht en zaagbladen met een T-schacht.

Onderhoud

Dit gereedschap is ontworpen om gedurende langere periode te functioneren met een minimum aan onderhoud.

Voortdurend tevreden gebruik is afhankelijk van correct onderhoud en regelmatig schoonmaken.

Waarschuwing! Zorg vóór aanvang van onderhoudswerkzaamheden dat de machine is uitgeschakeld en de netstekker van het lichtnet is losgekoppeld.

- ◆ Reinig regelmatig de ventilatieopeningen van uw machine met een zachte borstel of een droge doek.
- ◆ Reinig regelmatig de behuizing van de motor met een vochtige doek. Gebruik geen schuur- of oplosmiddel.
- ◆ Smeer de as van de steunrol van het zaagblad zo nu en dan met een druppel olie.

Milieu



Gescheiden inzameling. Dit product mag niet met het gewone huishoudelijke afval worden weggegooid.

Wanneer uw oude Black & Deckerproduct aan vervanging toe is of het u niet langer van dienst kan zijn, gooi het dan niet bij het huishoudelijk afval. Zorg ervoor dat het product gescheiden kan worden ingezameld.



Door gebruikte producten en verpakkingen gescheiden in te zamelen, worden de materialen gerecycled en opnieuw gebruikt. Hergebruik van gerecyclede materialen voorkomt milieuvuiling en vermindert de vraag naar grondstoffen.

Inzamelpunten voor gescheiden inzameling van elektrische huishoudproducten bij gemeentelijke vuilnisbergen of bij de verkoper waar u een nieuw product koopt, kunnen aan plaatselijke voorschriften gebonden zijn.

Black & Decker biedt de mogelijkheid tot inzamelen en recyclen van afgedankte Black & Decker producten. Om gebruik van deze service te maken, dient u het product aan een van onze servicecentra te sturen, die voor ons de inzameling verzorgen.

U kunt het adres van het dichtstbijzijnde servicecentrum opvragen via de adressen op de achterzijde van deze handleiding. U kunt ook een lijst van onze servicecentra en meer informatie m.b.t. onze klantenservice vinden op het volgende Internet-adres: www.2helpU.com

Technische gegevens

		KS2005E Typ.1
Spanning	V_{AC}	230
Opgenomen vermogen	W	600
Aantal zaagbewegingen (onbelast)	min^{-1}	800 - 3.200
Max. freesdiepte		
Hout	mm	65
Staal	mm	4
Aluminium	mm	10
Gewicht	kg	2,8

Niveau van de geluidsdruk, gemeten volgens EN 60745:

Geluidsdruk (L_{pA}) 92 dB(A), onzekerheid (K) 3 dB(A)

Geluidsvermogen (L_{WA}) 103 dB(A), onzekerheid (K) 3 dB(A)

Totale trillingswaarden (triaxale vectorsom) volgens EN 60745:

Zagen van hout (a_h) 11,00 m/s^2 , onzekerheid (K) 2,6 m/s^2

Zagen van metaal (a_h) 13,96 m/s^2 , onzekerheid (K) 5,6 m/s^2

EG-conformiteitsverklaring

MACHINERICHTLIJN



KS2005E

Black & Decker verklaart dat deze producten, zoals onder "technische gegevens" beschreven, overeenkomstig zijn met: 2006/42/EG, EN 60745-1, EN 60745-2-11

Neem voor meer informatie contact op met Black & Decker via het volgende adres of zie de achterzijde van de handleiding.

De ondergetekende is verantwoordelijk voor de samenstelling van de technische gegevens en geeft deze verklaring namens Black & Decker.

Kevin Hewitt
 Vice-President Global Engineering
 Black & Decker Europe, 210 Bath Road, Slough,
 Berkshire, SL1 3YD
 Verenigd Koninkrijk
 18/02/2010

Garantie

Black & Decker heeft vertrouwen in zijn producten en biedt een uitstekende garantie. Deze garantiebepalingen vormen een aanvulling op uw wettelijke rechten en beperken deze niet. De garantie geldt in de lidstaten van de Europese Unie en de Europese Vrijhandelsassociatie.

Mocht uw Black & Decker product binnen 24 maanden na datum van aankoop defect raken tengevolge van materiaal- of constructiefouten, dan garanderen wij de kosteloze vervanging van defecte onderdelen, de reparatie van het product of de vervanging van het product, tenzij:

- ◆ Het product is gebruikt voor handelsdoeleinden, professionele toepassingen of verhuurdoeleinden;
- ◆ Het product onoordeelkundig is gebruikt;
- ◆ Het product is beschadigd door invloeden van buitenaf of door een ongeval;
- ◆ Reparaties zijn uitgevoerd door anderen dan onze servicecentra of Black & Decker personeel.

Om een beroep op de garantie te doen, dient u een aankoopbewijs te overhandigen aan de verkoper of een van onze servicecentra. U kunt het adres van het dichtstbijzijnde servicecentrum opvragen via de adressen op de achterzijde van deze handleiding. U kunt ook een lijst van onze servicecentra en meer informatie m.b.t. onze klantenservice vinden op het volgende Internet-adres: www.2helpU.com

Meld u aan op onze website www.blackanddecker.nl om te worden geïnformeerd over nieuwe producten en speciale aanbiedingen. Verdere informatie over het merk Black & Decker en onze producten vindt u op www.blackanddecker.nl

Finalidad

Su caladora Black & Decker ha sido diseñada para serrar madera, plástico y chapa. Esta herramienta está pensada únicamente para uso doméstico.

Instrucciones de seguridad

Advertencias de seguridad generales para herramientas eléctricas



¡Atención! Lea todas las advertencias e instrucciones de seguridad. En caso de no respetarse las advertencias e instrucciones indicadas a continuación, podría producirse una descarga eléctrica, incendio y/o lesión grave.

Conserve todas las advertencias e instrucciones para su posterior consulta. El término "herramienta eléctrica" empleado en las advertencias indicadas a continuación se refiere a la herramienta eléctrica con alimentación de red (con cable) o alimentada por pila (sin cable).

1. Seguridad del área de trabajo
 - a. Mantenga limpia y bien iluminada el área de trabajo. El desorden o una iluminación deficiente en las áreas de trabajo pueden provocar accidentes.
 - b. No utilice la herramienta eléctrica en un entorno con peligro de explosión, en el que se encuentren combustibles líquidos, gases o material en polvo. Las herramientas eléctricas producen chispas que pueden llegar a inflamar los materiales en polvo o vapores.
 - c. Mantenga alejados a los niños y otras personas del área de trabajo al emplear la herramienta eléctrica. Una distracción le puede hacer perder el control sobre la herramienta.
2. Seguridad eléctrica
 - a. El enchufe de la herramienta eléctrica debe corresponder a la toma de corriente utilizada. No es admisible modificar el enchufe en forma alguna. No emplee adaptadores en herramientas eléctricas dotadas con una toma de tierra. Los enchufes sin modificar adecuados a las respectivas tomas de corriente reducen el riesgo de una descarga eléctrica.
 - b. Evite que su cuerpo toque partes conectadas a tierra como tuberías, radiadores, cocinas y refrigeradores. El riesgo a quedar expuesto a una descarga eléctrica es mayor si su cuerpo tiene contacto con tierra.
 - c. No exponga las herramientas eléctricas a la lluvia y evite que penetren líquidos en su interior. Existe el peligro de recibir una descarga eléctrica si penetran ciertos líquidos en la herramienta eléctrica.
3. Seguridad personal
 - a. Esté atento a lo que hace y emplee la herramienta eléctrica con prudencia. No utilice la herramienta eléctrica si estuviese cansado, ni tampoco después de haber consumido alcohol, drogas o medicamentos. El no estar atento durante el uso de una herramienta eléctrica puede provocar serias lesiones.
 - b. Utilice equipos de protección personal. Lleve siempre protección ocular. Los equipos de protección tales como una mascarilla antipolvo, zapatos de seguridad con suela antideslizante, casco o protectores auditivos, utilizados en condiciones adecuadas, contribuyen a reducir las lesiones personales.
 - c. Evite una puesta en marcha involuntaria. Asegúrese de que el interruptor esté en la posición de apagado antes de conectar a la fuente de alimentación o la batería, coger o transportar la herramienta. Si se transportan herramientas eléctricas con el dedo sobre el interruptor o si se enchufan con el interruptor encendido puede dar lugar a accidentes.
 - d. Retire las herramientas de ajuste o llaves fijas antes de conectar la herramienta eléctrica. Una herramienta o llave colocada en una pieza giratoria de la herramienta eléctrica puede producir lesiones al ponerse a funcionar.
 - e. Sea precavido. Evite adoptar una posición que fatigue su cuerpo; mantenga un apoyo firme sobre el suelo y conserve el equilibrio en todo momento. Ello le permitirá controlar mejor la herramienta eléctrica en caso de presentarse una situación inesperada.
 - f. Lleve puesta una vestimenta de trabajo adecuada. No lleve vestidos anchos ni joyas. Mantenga su pelo, vestimenta y guantes alejados de las piezas móviles. La vestimenta suelta, las joyas y el pelo largo se pueden enganchar con las piezas en movimiento.
- d. Cuide el cable eléctrico. No utilice el cable eléctrico para transportar o colgar la herramienta eléctrica, ni tire de él para sacar el enchufe de la toma de corriente. Mantenga el cable eléctrico alejado del calor, aceite, bordes afilados o piezas móviles. Los cables eléctricos dañados o enredados pueden provocar una descarga eléctrica.
- e. Al trabajar con la herramienta eléctrica en la intemperie utilice solamente cables alargadores homologados para su uso en exteriores. La utilización de un cable alargador adecuado para su uso en exteriores reduce el riesgo de una descarga eléctrica.
- f. Si fuera inevitable la utilización de una herramienta eléctrica en un lugar húmedo, utilice un suministro protegido con un dispositivo de corriente residual (RCD). La utilización de un dispositivo de corriente residual reduce el riesgo de descarga eléctrica.

- g. Siempre que sea posible utilizar unos equipos de aspiración o captación de polvo, asegúrese que éstos estén montados y que sean utilizados correctamente.

El empleo de equipos de recogida de polvo reduce los riesgos derivados del polvo.

4. Uso y cuidado de herramientas eléctricas
- a. No sobrecargue la herramienta eléctrica. Use la herramienta eléctrica prevista para el trabajo a realizar. Con la herramienta eléctrica adecuada podrá trabajar mejor y más seguro dentro del margen de potencia indicado.
- b. No utilice herramientas eléctricas con un interruptor defectuoso. Las herramientas eléctricas que no se puedan conectar o desconectar son peligrosas y deben hacerse reparar.
- c. Desconecte el enchufe de la fuente eléctrica y/o la batería de la herramienta eléctrica antes de realizar ajustes, cambiar accesorios o almacenar la herramienta eléctrica. Esta medida preventiva reduce el riesgo de conectar accidentalmente la herramienta eléctrica.
- d. Guarde las herramientas eléctricas fuera del alcance de los niños y de las personas que no estén familiarizadas con su uso. Las herramientas eléctricas utilizadas por personas inexpertas son peligrosas.
- e. Cuide sus herramientas eléctricas con esmero. Controle si funcionan correctamente, sin atascarse, las partes móviles de la herramienta eléctrica, y si existen partes rotas o deterioradas que pudieran afectar al funcionamiento de la herramienta. Si la herramienta eléctrica estuviese defectuosa haga que la reparen antes de volver a utilizarla. Muchos accidentes se deben a herramientas eléctricas con un mantenimiento deficiente.
- f. Mantenga las herramientas de corte limpias y afiladas. Las herramientas de corte mantenidas correctamente se dejan guiar y controlar mejor.
- g. Utilice la herramienta eléctrica, los accesorios y las puntas de la herramienta, etc. de acuerdo a estas instrucciones, teniendo en cuenta las condiciones de trabajo y la tarea a realizar. El uso de herramientas eléctricas para trabajos diferentes de aquellos para los que han sido concebidas puede resultar peligroso.
5. Servicio técnico
- a. Haga reparar su herramienta eléctrica sólo por personal técnico autorizado que emplee exclusivamente piezas de repuesto originales. Solamente así se garantiza la seguridad de la herramienta eléctrica.

Advertencias de seguridad adicionales para herramientas eléctricas



¡Atención! Advertencias de seguridad adicionales para caladoras y sierras alternativas

- ◆ Sujete la herramienta por las empuñaduras aisladas al realizar trabajos en los que la herramienta de corte pueda tocar cables eléctricos ocultos o su propio cable. El accesorio de corte que haga contacto con cables con corriente pueden hacer que las partes metálicas al descubierto de la herramienta eléctrica provoquen una descarga al usuario.
 - ◆ Utilice mordazas u otra forma práctica para fijar y soportar la pieza de trabajo a una plataforma estable. Sujetar el trabajo a mano o contra su cuerpo hace que pierda estabilidad y puede provocar la pérdida de control.
 - ◆ Mantenga las manos alejadas de la zona de corte. Nunca meta la mano debajo de la pieza de trabajo por ningún motivo. No introduzca los dedos en las proximidades de la hoja alternativa y la sujeción de la hoja. No establezca la sierra agarrando la base.
 - ◆ Mantenga las hojas afiladas. Las hojas melladas o con daños pueden hacer que la sierra se vire bruscamente o se cale bajo presión. Use siempre el tipo de hoja de sierra adecuado al material de la pieza de trabajo y al tipo de corte.
 - ◆ Cuando corte una tubería o un tubo, asegúrese de que no tengan agua, cables eléctricos, etc.
 - ◆ No toque la pieza de trabajo ni la hoja inmediatamente después del funcionamiento de la herramienta. Pueden calentarse mucho.
 - ◆ Sea consciente de los riesgos ocultos antes de cortar en paredes, suelos o techos, compruebe la ubicación de cableados y tuberías.
 - ◆ La hoja seguirá moviéndose tras soltar el interruptor. Desconecte siempre la herramienta y espere que la hoja de sierra se pare totalmente antes de soltar la herramienta.
- ¡Atención! El contacto o la inhalación de polvo desprendido por aplicaciones de corte, puede poner en peligro la salud del operario y la de aquellos próximos a usted. Utilice una mascarilla contra el polvo diseñada específicamente para proteger contra el polvo y las emanaciones y asegúrese de que las demás personas que se encuentren dentro de, o que penetren en el área de trabajo, también estén protegidas.
- ◆ Esta herramienta no está destinada para ser utilizada por personas (niños incluidos) con capacidades físicas, sensoriales o mentales reducidas, o que carezcan de experiencia y conocimiento, a menos que reciban supervisión o instrucción respecto al uso de la misma por una persona responsable de su seguridad. Debe vigilarse a los niños para asegurarse de que no jueguen con el aparato.

- ◆ En este manual de instrucciones se explica el uso previsto. El uso de otros accesorios, adaptadores, o la propia utilización de la herramienta en cualquier forma diferente de las recomendadas en este manual de instrucciones puede constituir un riesgo de lesiones a las personas y/o daños materiales.

Seguridad de otras personas

- ◆ Este aparato no está destinado para ser utilizado por personas (niños incluidos) con capacidades físicas, sensoriales o mentales reducidas, o que carezcan de experiencia y conocimiento, a menos que reciban supervisión o instrucción respecto al uso del aparato por una persona responsable de su seguridad.
- ◆ Debe vigilarse a los niños para asegurarse de que no jueguen con el aparato.

Riesgos residuales.

El uso de esta herramienta puede producir riesgos residuales adicionales no incluidos en las advertencias de seguridad adjuntas. Estos riesgos se pueden generar por un uso incorrecto, demasiado prolongado, etc.

El cumplimiento de las normas de seguridad correspondientes y el uso de dispositivos de seguridad no evitan ciertos riesgos residuales. Estos riesgos incluyen:

- ◆ Lesiones producidas por el contacto con piezas móviles o giratorias.
- ◆ Lesiones producidas al cambiar cualquier pieza, cuchilla o accesorio.
- ◆ Lesiones producidas al usar una herramienta por un tiempo demasiado prolongado. Si utiliza una herramienta durante períodos de tiempo demasiado prolongados, asegúrese de realizar pausas con frecuencia.
- ◆ Discapacidad auditiva.
- ◆ Riesgos para la salud producidos al respirar el polvo que se genera al usar la herramienta (por ejemplo: en los trabajos con madera, especialmente de roble, haya y tableros de densidad mediana).

Vibración

Los valores declarados de emisión de vibración indicados en los datos técnicos y la declaración de conformidad se han medido de acuerdo a un método de prueba estándar contemplado por la EN 60745 y puede utilizarse para comparar una herramienta con otra. El valor declarado de emisión de vibración también puede utilizarse en una evaluación preliminar de exposición.

¡Atención! El valor de emisión de vibración durante el uso real de la herramienta eléctrica puede variar del valor declarado en función del modo de utilización de

la herramienta. El nivel de vibración puede aumentar por encima del valor indicado.

Cuando se evalúe la exposición a la vibración con el fin de determinar las medidas de seguridad exigidas por la 2002/44/CE para proteger a las personas que utilizan herramientas eléctricas en su empleo con regularidad, una estimación de la exposición a la vibración debe considerar las condiciones reales de uso y la forma en que se utiliza la herramienta, teniendo en cuenta incluso todas las partes del ciclo de trabajo como los momentos en que la herramienta se apaga y cuando está conectada sin funcionar además del tiempo de accionamiento.

Etiquetas sobre la herramienta

En la herramienta se indican los siguientes pictogramas:



¡Atención! Para reducir el riesgo de lesiones, el usuario debe leer el manual de instrucciones.

Seguridad eléctrica



La herramienta lleva un doble aislamiento; por lo tanto no requiere una toma a tierra. Compruebe siempre que el suministro eléctrico corresponda con la tensión indicada en la placa de datos.

- ◆ Si el cable eléctrico está estropeado, debe ser sustituido por el fabricante o un servicio técnico autorizado de Black & Decker con el fin de evitar accidentes.

Características

Esta herramienta incluye alguna o todas las características siguientes.

1. Interruptor de encendido/apagado
2. Botón de bloqueo
3. Pomo de control de velocidad variable
4. Interruptor selector de modo
5. Palanca de ajuste de la hoja de sierra
6. Portahojas
7. Base
8. Botón de bloqueo de la base
9. Botón para cortes curvos
10. Compartimento de la hoja de sierra

Montaje

¡Atención! Antes de proceder al montaje, compruebe que la herramienta está apagada y desenchufada.

Instalación de la hoja de sierra (fig. A)

- ◆ Sujete la hoja de sierra (11) tal como se indica, con los dientes mirando hacia delante.

- ◆ Empuje la palanca (5) hacia abajo.
- ◆ Inserte la espiga de la hoja de sierra dentro del portahojas (6) hasta el tope.
- ◆ Suelte la palanca.
- ◆ Ajuste el rodillo soporte de hoja tal como se describe más adelante.

Ajuste del rodillo soporte de hoja (fig. A & B)

Después de instalar la hoja de sierra debe ajustar el rodillo soporte de hoja (12).

- ◆ Gire el tornillo de ajuste del soporte de hoja (13) en la dirección contraria a las agujas del reloj.
- ◆ Deslice el rodillo soporte de hoja contra la parte trasera de la hoja. La hoja debe situarse en el hueco central del rodillo.
- ◆ Gire el tornillo de ajuste del soporte de hoja en la dirección de las agujas del reloj para fijar el soporte de hoja en su posición.

Conexión de un aspirador a la herramienta (fig. C & D)

- ◆ Coloque el adaptador para la extracción del polvo (14) alineado con la base de la sierra como se muestra en la figura.
- ◆ Introduzca las aletas (15) en las ranuras (16).
- ◆ Empuje el adaptador hacia atrás para fijarlo en posición.
- ◆ Conecte el manguito del aspirador (17) (no suministrado) al adaptador.

La extracción de polvo no es posible cuando se realizan cortes en bisel.

¡Atención! No utilice el adaptador de extracción de polvo al serrar metal.

Uso

¡Atención! Deje que la herramienta funcione a su ritmo. No lo sobrecargue.

¡Atención! No utilice nunca la herramienta si la base de la sierra está floja o se ha retirado.

Ajuste de la base para cortes en bisel (fig. E)

La base se puede colocar en un ángulo de bisel a izquierda o derecha de hasta 45°.

- ◆ Gire el botón de bloqueo de la base (8) en la dirección A para soltar la base (7).
- ◆ Tire de la base (7) hacia atrás y colóquela en el ángulo deseado. Puede utilizar una escala o un transportador para comprobar el ángulo.
- ◆ Gire el botón de bloqueo (8) en la dirección B para bloquear la base en su lugar.

Para reajustar la base para cortes rectos:

- ◆ Gire el botón de bloqueo de la base (8) en la dirección A para soltar la base (7).
- ◆ Tire de la base hacia atrás y colóquela en un ángulo de 0° aproximadamente.
- ◆ Empuje la base hacia delante.
- ◆ Gire el botón de bloqueo (8) en la dirección B para bloquear la base en su lugar. Asegúrese de que la base esté apoyada en las aletas de guía.

Ajuste del modo de funcionamiento (fig. F)

En el modo de corte recto, la hoja de sierra puede ajustarse y bloquearse en 4 posiciones: hacia delante, atrás, izquierda o derecha.

- ◆ Gire el interruptor de selección de modo (4) a la posición A (modo de corte curvo).
- ◆ Gire la hoja de sierra a la posición deseada mediante el botón para cortes curvos (9).
- ◆ Gire el interruptor de selección de modo (4) a la posición B (modo de corte recto). En esta posición, el botón para cortes curvos no puede girarse. La hoja de sierra está bloqueada en su posición.

Modo de corte curvo

En el modo de corte curvo, la hoja de sierra puede girarse para cortes difíciles y precisos. Se recomienda utilizar hojas de sierra adecuadas para cortes curvos en este modo.

- ◆ Gire el interruptor de selección de modo (4) a la posición A (modo de corte curvo). En esta posición no hay acción pendular.

Modo de acción pendular

En el modo de acción pendular, la hoja de sierra está bloqueada en la dirección hacia delante para cortes rectos rápidos.

- ◆ Gire el interruptor de selección de modo (4) a la posición A (modo de corte curvo).
- ◆ Gire la hoja de sierra en la dirección hacia delante mediante el botón para cortes curvos (9).
- ◆ Gire el interruptor de selección de modo (4) a la posición C (modo de acción pendular). En esta posición, el botón para cortes curvos no puede girarse. La hoja de sierra está bloqueada en su posición.

Control de velocidad variable

- ◆ Sitúe el pomo de control de velocidad variable (3) en la relación de velocidad que sea necesaria. Para la madera utilice alta velocidad, para el aluminio y PVC velocidad media y baja velocidad para metales que no sean aluminio.

Encendido y apagado

- ◆ Para encender la herramienta, pulse el interruptor de encendido/apagado (1).

- ◆ Para un funcionamiento continuo, pulse el botón de bloqueo (2) y suelte el interruptor de encendido/apagado.
- ◆ Para apagar la herramienta, suelte el interruptor de encendido/apagado. Para apagar la herramienta durante el funcionamiento continuo, pulse el interruptor de encendido/apagado una vez más y suéltelo.

Cómo utilizar la función SightLine™ (fig. G)

- ◆ Utilice un lápiz para marcar la línea de corte.
- ◆ Sitúe la caladora sobre la línea (18).

La línea de corte se puede seguir fácilmente mirando justo desde encima de la caladora. En caso de que por algún motivo no pueda mirar desde esta posición, puede utilizar la muesca (19) como guía de corte alternativa.

Consejos para un uso óptimo

Serrado de laminados

Puesto que la hoja de sierra corta en el desplazamiento hacia arriba, puede producirse el astillamiento en la superficie que esté más cerca de la base.

- ◆ Use una hoja de sierra de diente fino.
- ◆ Sierre desde la superficie trasera de la pieza de trabajo.
- ◆ Para minimizar el astillamiento, sujete un trozo de madera de recorte o de tablero de fibra prensada a ambos lados de la pieza de trabajo y proceda a serrar a través de este bocadillo.

Cortes curvos

- ◆ Use una hoja de sierra adecuada para realizar cortes curvos en madera.
- ◆ Sujetando la herramienta con una mano, muévala lentamente para seguir la línea de corte mientras acciona el botón para cortes curvos.

Serrado de metal

- ◆ Tenga en cuenta que serrar metal lleva mucho más tiempo que serrar madera.
- ◆ Use una hoja de sierra adecuada para serrar metal.
- ◆ Cuando corte chapa fina, sujete una pieza de madera de recorte a la superficie posterior de la pieza de trabajo y corte a través de este bocadillo.
- ◆ Extienda una capa de aceite a lo largo de la línea de corte prevista.

Accesorios

El rendimiento de la herramienta dependerá del accesorio utilizado. Los accesorios de Black & Decker y Piranha están fabricados según las más altas normas de calidad para ampliar el rendimiento de la herramienta. Utilizando estos accesorios, logrará aprovechar al máximo la herramienta. Esta herramienta es adecuada para hojas de sierra con espiga en U y con espiga en T.

Mantenimiento

La herramienta ha sido diseñada para que funcione durante un largo periodo de tiempo con un mantenimiento mínimo. El funcionamiento satisfactorio continuado depende de un cuidado apropiado y una limpieza periódica de la herramienta.

¡Advertencia! Antes de realizar cualquier tipo de mantenimiento, apague y desenchufe la herramienta.

- ◆ Limpie periódicamente las ranuras de ventilación de la herramienta con un cepillo suave o un paño seco.
- ◆ Limpie periódicamente la carcasa del motor con un paño húmedo. No utilice ninguna sustancia limpiadora abrasiva o que contenga disolventes.
- ◆ Aplique ocasionalmente una gota de aceite al eje del rodillo de soporte de hoja.

Protección del medio ambiente



Separación de desechos. Este producto no debe desecharse con la basura doméstica normal.

Si llega el momento de reemplazar su producto Black & Decker o éste ha dejado de tener utilidad para usted, no lo deseche con la basura doméstica normal. Asegúrese de que este producto se deseche por separado.



La separación de desechos de productos usados y embalajes permite que los materiales puedan reciclarse y reutilizarse. La reutilización de materiales reciclados ayuda a evitar la contaminación medioambiental y reduce la demanda de materias primas.

La normativa local puede prever la separación de desechos de productos eléctricos de uso doméstico en centros municipales de recogida de desechos o a través del distribuidor cuando adquiere un nuevo producto.

Black & Decker proporciona facilidades para la recogida y el reciclado de los productos Black & Decker que hayan llegado al final de su vida útil. Para hacer uso de este servicio, devuelva su producto a cualquier servicio técnico autorizado, que lo recogerá en nuestro nombre.

Pueden consultar la dirección de su servicio técnico más cercano poniéndose en contacto con la oficina local de Black & Decker en la dirección que se indica en este manual. Como alternativa, puede consultar en Internet la lista de servicios técnicos autorizados e información completa de nuestros servicios de posventa y contactos en la siguiente dirección: www.2helpU.com

Características técnicas

		KS2005E Typ.1
Voltaje	V _{AC}	230
Potencia absorbida	W	600
Número de carreras (sin carga)	min ⁻¹	800 - 3.200
Profundidad máxima de corte		
Madera	mm	65
Acero	mm	4
Aluminio	mm	10
Peso	kg	2,8

Nivel de la presión acústica según EN 60745:

Presión acústica (L_{PA}) 92 dB(A), incertidumbre (K) 3 dB(A)

Presión acústica (L_{WA}) 103 dB(A), incertidumbre (K) 3 dB(A)

Valores totales de vibración (suma de vector triaxial) según EN 60745:

Corte de madera (a_h) 11,00 m/s², incertidumbre (K) 2,6 m/s²

Corte de metal (a_h) 13,96 m/s², incertidumbre (K) 5,6 m/s²

Declaración de conformidad CE

DIRECTIVA SOBRE MÁQUINAS



KS2005E

Black & Decker declara que los productos descritos en "datos técnicos" son conformes con: 2006/42/CE, EN 60745-1, EN 60745-2-11

Si desea información adicional, contacte con Black & Decker en la siguiente dirección o consulte el dorso de este manual.

El abajofirmante es responsable de la compilación del archivo técnico y hace esta declaración en nombre de Black & Decker.

Kevin Hewitt
 Vice-President Global Engineering
 Black & Decker Europe, 210 Bath Road, Slough,
 Berkshire, SL1 3YD
 Reino Unido
 18/02/2010

Garantía

Black & Decker confía plenamente en la calidad de sus productos y ofrece una garantía extraordinaria. Esta declaración de garantía es una añadido, y en ningún caso un perjuicio para sus derechos estatutarios. La garantía es válida dentro de los territorios de los Estados Miembros de la Unión Europea y de los de la Zona Europea de Libre Comercio.

Si un producto Black & Decker resultará defectuoso debido a materiales o mano de obra defectuosos o a la falta de conformidad, Black & Decker garantiza, dentro de los 24 meses de la fecha de compra, la sustitución de las piezas defectuosas, la reparación de los productos sujetos a un desgaste y rotura razonables o la sustitución de tales productos para garantizar al cliente el mínimo de inconvenientes, a menos que:

- ◆ El producto haya sido utilizado con propósitos comerciales, profesionales o de alquiler;
- ◆ El producto haya sido sometido a un uso inadecuado o negligente;
- ◆ El producto haya sufrido daños causados por objetos o sustancias extrañas o accidentes;
- ◆ Se hayan realizado reparaciones por parte de personas que no sean los servicios de reparación autorizados o personal de servicios de Black & Decker.

Para reclamar en garantía, será necesario que presente la prueba de compra al vendedor o al servicio técnico de reparaciones autorizado. Pueden consultar la dirección de su servicio técnico más cercano poniéndose en contacto con la oficina local de Black & Decker en la dirección que se indica en este manual. Como alternativa, se puede consultar en Internet, en la dirección siguiente, la lista de servicios técnicos autorizados e información completa de nuestros servicios de postventa y contactos: www.2helpU.com

Visite nuestro sitio web www.blackanddecker.eu para registrar su nuevo producto Black & Decker y mantenerse al día sobre nuestros productos y ofertas especiales. Encontrará información adicional sobre la marca Black & Decker y nuestra gama de productos en www.blackanddecker.eu

Utilização

A sua serra de recortes Black & Decker foi projectada para serrar madeira, plástico e folhas metálicas. Esta ferramenta destina-se apenas ao doméstico.

Instruções de segurança

Avisos de segurança gerais para ferramentas eléctricas



Advertência! Leia todos os avisos de segurança e instruções. O não cumprimento dos avisos e instruções a seguir pode resultar em choque eléctrico, incêndio e/ou graves lesões.

Guarde todos os avisos e instruções para futura referência. O termo "ferramenta eléctrica", utilizado nas advertências que se seguem, refere-se a ferramentas eléctricas com ligação à corrente eléctrica (com fios) ou operadas a pilha (sem fios).

1. Segurança na área de trabalho

- Mantenha a sua área de trabalho limpa e bem iluminada. Desordem ou áreas de trabalho com fraca iluminação podem causar acidentes.
- Não utilize ferramentas eléctricas em áreas com risco de explosão, nas quais se encontrem líquidos, gases ou pós inflamáveis. As ferramentas eléctricas produzem faíscas que podem provocar a ignição de pó e vapores.
- Mantenha crianças e outras pessoas afastadas durante a utilização de ferramentas eléctricas. As distrações podem dar origem a que perca o controlo da ferramenta.

2. Segurança eléctrica

- A ficha da ferramenta eléctrica deve caber na tomada. A ficha não deve ser modificada de modo algum. Não utilize quaisquer fichas de adaptação com ferramentas eléctricas ligadas à terra.** Fichas inalteradas e tomadas adequadas reduzem o risco de choques eléctricos.
- Evite que o corpo entre em contacto com superfícies ligadas à terra, como por exemplo tubos, radiadores, fogões e frigoríficos. Há um risco elevado de choques eléctricos, caso o corpo seja ligado à terra.
- As ferramentas eléctricas não devem ser expostas à chuva nem a humidade. A penetração de água numa ferramenta eléctrica aumenta o risco de choques eléctricos.
- Manuseie o cabo com cuidado. O cabo da ferramenta não deve ser utilizado para o transporte, para puxar a ferramenta, nem para retirar a ficha da tomada. Mantenha o cabo afastado de calor, óleo, cantos

afiados ou peças em movimento. Cabos danificados ou torcidos aumentam o risco de choques eléctricos.

- Ao trabalhar com a ferramenta eléctrica ao ar livre, use um cabo de extensão apropriado para utilização no exterior.** O uso de um cabo apropriado para utilização no exterior reduz o risco de choques eléctricos.
 - Quando a utilização de uma ferramenta eléctrica num local húmido é inevitável, utilize uma fonte de alimentação protegida com um dispositivo de corrente residual (RCD).** A utilização de um RCD reduz o risco de choques eléctricos.
- Segurança pessoal
 - Mantenha-se atento, observe o que está a fazer e seja prudente durante a utilização de uma ferramenta eléctrica. Não use a ferramenta eléctrica se estiver cansado ou sob a influência de drogas, álcool ou medicamentos. Um momento de falta de atenção durante a utilização de ferramentas eléctricas pode causar graves lesões.
 - Use equipamento de protecção pessoal. Utilize sempre óculos de protecção. A utilização de equipamento de protecção pessoal, como por exemplo, máscara de protecção contra pó, sapatos de segurança anti-derrapantes, capacete de segurança ou protecção auricular, de acordo com o tipo e aplicação da ferramenta eléctrica, reduz o risco de lesões.
 - Evite o accionamento involuntário. Certifique-se de que o interruptor está na posição desligada antes de ligar a ferramenta à corrente eléctrica ou a uma bateria, antes de elevar ou transportar a mesma. O transporte de ferramentas eléctricas com o dedo no interruptor ou a ligação das mesmas à corrente eléctrica com o interruptor ligado provoca acidentes.
 - Retire eventuais chaves de ajuste ou chaves de fenda, antes de ligar a ferramenta eléctrica. Uma chave de fenda ou chave de ajuste, que se encontre numa peça móvel da ferramenta, pode dar origem a lesões.
 - Não se incline. Mantenha-se sempre bem posicionado e em equilíbrio. Desta forma, poderá ser mais fácil controlar a ferramenta em situações inesperadas.
 - Utilize vestuário adequado. Não utilize roupas largas nem jóias. Mantenha o cabelo, roupa e luvas afastados de peças em movimento. Roupas largas, jóias ou cabelos longos podem ser ficar presos nas peças em movimento.
 - Se for prevista a montagem de dispositivos de extracção e recolha de pó, assegure-se de que estão ligados e que são utilizados de forma correcta. A utilização destes dispositivos reduz os riscos provocados por pó.

4. Utilização e manutenção da ferramenta eléctrica
 - a. Não sobrecarregue a ferramenta eléctrica. Utilize a ferramenta eléctrica correcta para o trabalho que irá realizar. A ferramenta correcta realizará o trabalho de forma melhor e mais segura dentro da potência indicada.
 - b. Não utilize a ferramenta eléctrica se o interruptor não puder ser ligado nem desligado. Qualquer ferramenta eléctrica que não possa ser controlada através do interruptor é perigosa e deve ser reparada.
 - c. **Desligue a ficha da tomada e/ou a bateria da ferramenta eléctrica antes de efectuar quaisquer ajustes, substituir acessórios ou armazenar a ferramenta eléctrica.** Esta medida de segurança evita que a ferramenta eléctrica seja ligada acidentalmente.
 - d. **Mantenha as ferramentas eléctricas que não estiverem a ser utilizadas fora do alcance de crianças.** Não permita que a ferramenta seja utilizada por pessoas não familiarizadas com a mesma ou que não tenham lido estas instruções. As ferramentas eléctricas são perigosas se utilizadas por pessoas não qualificadas.
 - e. **Efectue a manutenção das ferramentas eléctricas. Verifique se as peças móveis funcionam perfeitamente e não emperram, bem como se há peças quebradas ou danificadas que possam influenciar o funcionamento da ferramenta.** Em caso de danos, solicite a reparação da ferramenta eléctrica antes da sua utilização. Muitos acidentes têm como causa uma manutenção insuficiente das ferramentas eléctricas.
 - f. **Mantenha as ferramentas de corte sempre afiadas e limpas.** As ferramentas de corte, sujeitas a uma manutenção adequada e com extremidades de corte afiadas, emperram com menos frequência e podem ser controladas com maior facilidade.
 - g. **Utilize a ferramenta eléctrica, os acessórios e as brocas da ferramenta etc., de acordo com estas instruções. Considere também as condições de trabalho e o trabalho a ser efectuado.** A utilização da ferramenta eléctrica para outros fins que não os previstos pode resultar em situações perigosas.
5. Reparação
 - a. A sua ferramenta eléctrica só deve ser reparada por **pessoal qualificado e só devem ser colocadas peças sobressalentes originais.** Desta forma, é assegurada a segurança da ferramenta eléctrica.

- ◆ **Segure a ferramenta pelas superfícies de pega isoladas ao efectuar trabalhos, durante os quais a ferramenta de corte possa entrar em contacto com cabos eléctricos ocultos ou com o cabo da ferramenta.** O contacto do acessório de corte com um cabo com tensão coloca as partes metálicas da ferramenta eléctrica sob tensão, resultando em choque eléctrico.
- ◆ **Utilize grampos ou outra forma prática de fixar e apoiar a peça de trabalho numa plataforma estável.** Segurar a peça com a mão ou contra o corpo deixa-a instável e poderá resultar em perda de controlo.
- ◆ **Mantenha as mãos afastadas da área de corte.** Nunca tente alcançar a parte inferior da peça de trabalho, qualquer que seja a razão. Não introduza os dedos na área da lâmina da serra de vaivém nem do mecanismo de fixação da mesma. Não estabilize a serra, agarrando a base.
- ◆ **Mantenha as lâminas afiadas.** As lâminas obtusas ou danificadas poderão dar origem a que a serra se desvie ou bloqueie sob pressão. Utilize sempre o tipo de lâmina apropriado para o material da peça de trabalho e para o tipo de corte.
- ◆ **Ao cortar tubos ou canos, certifique-se de que não possuem água, cabos eléctricos, etc.**
- ◆ **Não toque na peça de trabalho nem na lâmina imediatamente após utilizar a ferramenta.** Poderão aquecer bastante.
- ◆ **Tenha em atenção perigos ocultos, pelo que antes de cortar paredes, pisos ou tectos, verifique a localização de fios e tubos.**
- ◆ **A lâmina continuar a movimentar-se depois de soltar o interruptor. Desligue sempre a ferramenta e espere que a lâmina pare por completo antes de largar a ferramenta.**

Advertência! O contacto com ou a inalação de poeiras provenientes de aplicações de corte pode colocar em perigo a saúde do operador e de outras pessoas. Utilize uma máscara para poeiras especificamente desenhada para protecção contra poeiras e vapores e assegure-se de que as pessoas que estão na área de trabalho ou que entrem nesta também estão protegidas.

- ◆ Esta ferramenta não se destina a ser utilizada por pessoas (incluindo crianças) com reduzidas capacidades físicas, sensoriais ou mentais ou falta de experiência e conhecimentos, a menos que tenham recebido instruções ou sejam supervisionadas relativamente à utilização do aparelho por uma pessoa responsável pela sua segurança. As crianças deverão ser vigiadas para que não mexam no aparelho.
- ◆ Neste manual indicam-se as aplicações do aparelho. O uso de qualquer acessório ou da própria ferramenta para realizar quaisquer operações além das recomendadas neste manual de instruções pode dar origem a ferimentos e/ou danos em propriedade.

Avisos de segurança adicionais para ferramentas eléctricas



Advertência! Avisos de segurança adicionais para serras de recortes e serras de vaivém

Segurança de outras pessoas

- ◆ Este aparelho não se destina a ser utilizado por pessoas (incluindo crianças) com reduzidas capacidades físicas, sensoriais ou mentais ou falta de experiência e conhecimentos, a menos que tenham recebido instruções ou sejam supervisionadas relativamente à utilização do aparelho por uma pessoa responsável pela sua segurança.
- ◆ As crianças deverão ser vigiadas para que não brinquem no aparelho.

Riscos residuais.

Podem surgir riscos residuais adicionais durante a utilização da ferramenta que poderão não constar nos avisos de segurança incluídos. Estes riscos podem resultar de má utilização, uso prolongado, etc.

Mesmo com a aplicação dos regulamentos de segurança relevantes e com a implementação de dispositivos de segurança, alguns riscos residuais não podem ser evitados. Incluem:

- ◆ ferimentos causados pelo contacto com peças em rotação/movimento.
- ◆ ferimentos causados durante a troca de peças, lâminas ou acessórios.
- ◆ ferimentos causados pela utilização prolongada de uma ferramenta. Quando utilizar uma ferramenta por períodos prolongados, faça intervalos regulares.
- ◆ diminuição da audição.
- ◆ problemas de saúde causados pela inalação de poeiras resultantes da utilização da ferramenta (exemplo: trabalhos em madeira, especialmente carvalho, faia e MDF.)

Vibração

Os valores de emissão de vibrações declarados, indicados nos dados técnicos e na declaração de conformidade, foram medidos de acordo com um método de teste padrão providenciado por EN 60745 e podem ser utilizados para efectuar a comparação entre ferramentas. O valor de emissão de vibrações declarado pode também ser utilizado numa avaliação preliminar da exposição.

Advertência! O valor de emissão de vibrações durante a utilização da ferramenta eléctrica pode divergir do valor declarado, dependendo do modo como a ferramenta é utilizada. O nível de vibrações pode aumentar relativamente ao nível indicado.

Durante a avaliação da exposição a fim de determinar as medidas de segurança requeridas pela directiva 2002/44/CE para a protecção de pessoas que utilizam regularmente ferramentas eléctricas nas respectivas profissões, o cálculo da exposição a vibrações deve considerar as condições reais

de utilização e a forma como a ferramenta é utilizada, incluindo a consideração de todas as partes do ciclo de utilização como, por exemplo, as vezes que a ferramenta é desligada e o tempo em que se encontra a funcionar sem carga para além do tempo de accionamento.

Etiquetas da ferramenta

Aparecem os seguintes pictogramas na ferramenta:



Advertência! Para reduzir o risco de ferimentos, o utilizador deve ler o manual de instruções.

Segurança eléctrica



Esta ferramenta está duplamente isolada, pelo que não necessita de fio de terra. Certifique-se sempre de que o fornecimento de energia corresponde à tensão indicada na placa de identificação.

- ◆ Se o cabo de alimentação estiver danificado, deverá ser substituído pelo fabricante ou por um Centro de Assistência autorizado pela Black & Decker, de modo a evitar perigos.

Características

Esta ferramenta inclui algumas ou todas as seguintes características.

1. Interruptor de ligar/desligar
2. Botão de bloqueio
3. Botão de controlo de velocidade variável
4. Interruptor de selecção de modo
5. Alavanca de bloqueio da lâmina
6. Suporte da lâmina de serra
7. Base
8. Botão de bloqueio da base
9. Botão de corte em espiral
10. Compartimento para armazenamento das lâminas

Montagem

Advertência! Antes da montagem, certifique-se de que a ferramenta está desligada da corrente eléctrica.

Montagem da lâmina (fig. A)

- ◆ Segure na lâmina (11) como mostrado, com os dentes virados para a frente.
- ◆ Empurre a alavanca (5) para baixo.
- ◆ Empurre o mais que puder a haste da lâmina no apoio da lâmina (6).
- ◆ Solte a alavanca.
- ◆ Ajuste o rolamento de suporte da lâmina como abaixo descrito.

Ajustar o rolamento de suporte da lâmina (fig. A & B)

Depois de colocar a lâmina, deve ajustar o rolete de suporte da mesma (12).

- ◆ Rode o parafuso de ajuste do suporte da lâmina (13) no sentido contrário dos ponteiros do relógio.
- ◆ Mova o rolamento até que este toque na lâmina. O rolamento deve ficar encostado à retaguarda da lâmina.
- ◆ Rode o parafuso de ajuste do suporte da lâmina na direcção dos ponteiros do relógio para travar o suporte da lâmina no lugar.

Ligar um aspirador à ferramenta (fig. C & D)

- ◆ Alinhe o adaptador do extractor de pó (14) com a base da serra como mostrado.
- ◆ Insira as estrias (15) nas ranhuras (16).
- ◆ Empurre o adaptador para trás para o travar na posição.
- ◆ Ligue a mangueira do aspirador (17) (não fornecida) ao adaptador.

A extracção de pó não é possível quando estão a ser efectuados cortes oblíquos.

Advertência! Não utilize o adaptador para o extractor do pó quando serrar metal.

Utilização

Advertência! Deixe que a ferramenta funcione à vontade. Não o sobrecarregue.

Advertência! Nunca utilize a ferramenta quando a base estiver solta ou tiver sido removida.

Ajuste a base para os cortes em bisel (fig. E)

A base pode ser ajustada para um ângulo oblíquo à esquerda ou à direita até 45°.

- ◆ Rode o botão de bloqueio (8) na direcção A para soltar a base (7).
- ◆ Puxe a base (7) para trás e coloque-a no ângulo desejado. Pode utilizar a escala ou um transferidor para verificar o ângulo.
- ◆ Rode o botão de bloqueio (8) na direcção B para bloquear a base.

Para definir a base para cortes rectos:

- ◆ Rode o botão de bloqueio (8) na direcção A para soltar a base (7).
- ◆ Puxe a base para trás e defina-a para um ângulo de aproximadamente 0°.
- ◆ Empurre a base para a frente.
- ◆ Rode o botão de bloqueio (8) na direcção B para bloquear a base. Certifique-se de que a base fica perfeitamente encaixada.

Ajuste do modo de operação (fig. F)

No modo de corte recto, a lâmina pode ser ajustada e bloqueada em 4 posições: para a frente, para trás, para a esquerda ou para a direita.

- ◆ Rode o interruptor de selecção de modo (4) para a posição A (modo em espiral).
- ◆ Rode a lâmina na direcção desejada utilizando o botão de corte em espiral (9).
- ◆ Rode o interruptor de selecção de modo (4) para a posição B (modo de corte recto). Nesta posição, o botão de corte em espiral não pode ser rodado. A lâmina da serra está bloqueada na respectiva posição.

Modo corte em espiral

No modo de corte em espiral, a lâmina pode ser rodada para corte intrincado e preciso. Recomenda-se a utilização de lâminas de serra adequadas para corte em espiral neste modo.

- ◆ Rode o interruptor de selecção de modo (4) para a posição A (modo em espiral). Nesta posição não existe acção de pêndulo.

Modo de acção pêndulo

No modo de acção pêndulo, a lâmina da serra está travada para a frente para permitir o corte recto rápido.

- ◆ Rode o interruptor de selecção de modo (4) para a posição A (modo em espiral).
- ◆ Rode a lâmina da serra para a frente utilizando o botão de corte em espiral (9).
- ◆ Rode o interruptor de selecção de modo (4) para a posição C (modo acção pêndulo). Nesta posição, o botão de corte em espiral não pode ser rodado. A lâmina da serra está bloqueada na respectiva posição.

Controlo de velocidade variável

- ◆ Ajuste o botão de controlo de velocidade variável (3) conforme o desejado. Utiliza uma velocidade elevada para a madeira, uma velocidade média para alumínio e PVC e uma velocidade baixa para metais que não o alumínio.

Como ligar e desligar a ferramenta

- ◆ Para ligar a ferramenta, prima o interruptor de ligar/desligar (1).
- ◆ Para o funcionamento contínuo, prima o botão de bloqueio (2) e liberte o interruptor de ligar/desligar.
- ◆ Para desligar a ferramenta, liberte o interruptor de ligar/desligar. Para desligar a ferramenta quando em funcionamento contínuo, prima uma vez o interruptor de ligar/desligar e liberte-o.

Como utilizar a função SightLine™ (fig. G)

- ◆ Utilize um lápis para marcar a linha de corte.
- ◆ Posicione a serra por cima da linha (18).

Visualizando directamente por cima da serra, a linha de corte pode ser facilmente seguida. Caso esta visualização seja comprometida por qualquer razão, pode utilizar o entalhe (19) como guia de corte alternativo.

Sugestões para uma melhor utilização

Processo de serrar laminados

Como a lâmina corta no sentido de baixo para cima, pode fazer com que a superfície mais perto da base rache.

- ◆ Utilize uma lâmina com dentes finos.
- ◆ Serre a partir da parte de trás da peça de trabalho.
- ◆ Para minimizar as rachadelas, encaixe um bocado de madeira ou cartão prensado em ambos os lados da peça de trabalho e serre através desta sanduiche.

Corte em espiral

- ◆ Utilize uma lâmina adequada para cortar em espiral a madeira.
- ◆ Segurando na ferramenta com uma mão, mova lentamente a ferramenta para seguir a linha de corte operando simultaneamente o botão de corte em espiral.

Serração de metal

- ◆ Tenha em atenção que serrar metal demora mais tempo do que serrar madeira.
- ◆ Utilize uma lâmina adequada para serrar metal.
- ◆ Sempre que cortar folhas metálicas finas, fixe um pedaço de madeira em ambos os lados da peça de trabalho e serre através desta sanduiche.
- ◆ Espalhe uma camada fina de óleo ao longo da linha de corte.

Acessórios

O desempenho da sua ferramenta depende dos acessórios utilizados. Os acessórios da Black & Decker e Piranha são fabricados de acordo com os mais altos padrões de qualidade e são concebidos para melhorar o desempenho da sua ferramenta. Ao utilizar estes acessórios, poderá tirar um maior partido da sua ferramenta.

Esta serra de recortes permite a utilização de lâminas com haste em U (encaixe universal) e haste em T (encaixe profissional).

Manutenção

Esta ferramenta foi desenvolvida para funcionar por um longo período de tempo, com o mínimo de manutenção.

O funcionamento contínuo e satisfatório depende de limpeza regular e de manutenção adequada.

Advertência! Antes de qualquer procedimento de manutenção, desligue a ferramenta no interruptor e retire a tomada da corrente.

- ◆ Limpe regularmente as fendas de ventilação da ferramenta utilizando uma escova suave ou um pano seco.
- ◆ Limpe regularmente o compartimento do motor utilizando um pano húmido. Não utilize nenhum detergente abrasivo nem à base de solvente.
- ◆ Aplique, de vez em quando, uma gota de óleo no eixo do rolete do suporte da lâmina.

Protecção do meio ambiente



Recolha em separado. Não deve deitar este produto fora juntamente com o lixo doméstico normal.

Caso chegue o momento em que um dos seus produtos Black & Decker precise de ser substituído ou decida desfazer-se do mesmo, não o deite fora juntamente com o lixo doméstico. Torne este produto disponível para uma recolha em separado.



A recolha em separado de produtos e embalagens utilizados permite que os materiais sejam reciclados e reutilizados. A reutilização de materiais reciclados ajuda a evitar a poluição ambiental e a reduzir a procura de matérias-primas.

Os regulamentos locais poderão providenciar a recolha em separado de produtos eléctricos junto das casas, em lixeiras municipais ou junto dos fornecedores ao adquirir um novo produto.

A Black & Decker oferece um serviço de recolha e reciclagem de produtos Black & Decker que tenha atingido o fim das suas vidas úteis. Para tirar proveito deste serviço, devolva seu produto a qualquer agente de reparação autorizado, que se encarregará de recolher o equipamento em nosso nome.

Para verificar a localização do agente de reparação mais próximo de si, contacte o escritório local da Black & Decker no endereço indicado neste manual. Se preferir, consulte a lista de agentes autorizados da Black & Decker e os dados completos dos nossos serviços de atendimento pós-venda na Internet no endereço: www.2helpU.com

Dados técnicos

	KS2005E Typ.1
Vollagem	V _{AC} 230
Potência	W 600
Número de movimentos (sem carga)	min. ⁻¹ 800 - 3.200
Profundidade máx. de corte	
Madeira	mm 65
Aço	mm 4
Alumínio	mm 10
Peso	kg 2,8

Nível de pressão de ruído segundo a EN 60745:

Pressão acústica (L_{pA}) 92 dB(A), imprecisão (K) 3 dB(A)

Potência acústica (L_{WA}) 103 dB(A), imprecisão (K) 3 dB(A)

Valores totais de vibração (soma vectorial triaxial) segundo a EN 60745:

Corte de madeira (a_h) 11,00 m/s², imprecisão (K) 2,6 m/s²

Corte de metal (a_h) 13,96 m/s², imprecisão (K) 5,6 m/s²

Declaração de conformidade CE

DIRECTIVA MÁQUINAS



KS2005E

A Black & Decker declara que os produtos descritos na secção "dados técnicos" se encontram em conformidade com: 2006/42/CE, EN 60745-1, EN 60745-2-11

Para obter mais informações, queira contactar a Black & Decker através do endereço que se segue ou indicado no verso do manual.

O signatário é responsável pela compilação do ficheiro técnico e apresenta esta declaração em nome da Black & Decker.

Kevin Hewitt

Vice-presidente do Departamento de Engenharia Global
Black & Decker Europe, 210 Bath Road, Slough,
Berkshire, SL1 3YD
Reino Unido
18/02/2010

Garantia

A Black & Decker confia na qualidade de seus produtos e oferece um programa de garantia excelente. Esta declaração de garantia soma-se aos seus direitos legais e não os prejudica em nenhum aspecto. A garantia será válida nos territórios dos Estados Membros da União Europeia e na Área de Livre Comércio da Europa.

Caso algum produto da Black & Decker apresente avarias devido a defeitos de material, mão-de-obra ou ausência de conformidade no prazo de 24 meses a partir da data de compra, a Black & Decker garantirá a substituição das peças defeituosas, a reparação dos produtos que foram submetidos a uso adequado e remoção ou substituição dos mesmos para assegurar o mínimo de inconvenientes ao cliente a menos que:

- ◆ O produto tenha sido utilizado para fins comerciais, profissionais ou aluguer;
- ◆ O produto tenha sido submetido a uso incorrecto ou descuido;
- ◆ O produto tenha sofrido danos causados por objectos estranhos, substâncias ou acidentes;
- ◆ Tenha um histórico de reparações efectuadas por terceiros que não sejam os agentes autorizados ou profissionais de manutenção da Black & Decker.

Para activar a garantia, será necessário enviar a prova de compra ao revendedor ou agente de reparação autorizado. Para verificar a localização do agente de reparação mais próximo de si contacte o escritório local da Black & Decker no endereço indicado neste manual. Se preferir, consulte a lista de agentes autorizados da Black & Decker e os dados completos de nossos serviços de atendimento pós-venda na Internet no endereço: www.2helpU.com

Visite o nosso website www.blackanddecker.eu para registar o seu novo produto Black & Decker e para se manter actualizado sobre novos produtos e ofertas especiais. Estão disponíveis mais informações sobre a Black & Decker e sobre a nossa gama de produtos em www.blackanddecker.eu

Användningsområde

Din Black & Decker sticksåg är avsedd för sågning i trä, plast och plåt. Verktyget är endast avsett som konsumentverktyg.

Säkerhetsregler

Allmänna säkerhetsvarningar för motordrivna verktyg



Varning! Läs alla säkerhetsvarningar och alla anvisningar. Fel som uppstår till följd av att varningarna och anvisningarna nedan inte följts kan orsaka elchock, brand och/eller allvarliga kroppsskador.

Spara alla varningar och anvisningar för framtida referens.

Nedan använt begrepp lverktyg hänför sig till nådrivna elverktyg (med nätsladd) och till batteridrivna elverktyg (sladdlösa).

1. Säkerhet för arbetsområde

- Håll arbetsplatsen ren och välbelyst. Oordning på arbetsplatsen och dåligt belyst arbetsområde kan leda till olyckor.
- Använd inte elverktyget i explosionsfarlig omgivning med brännbara vätskor, gaser eller damm. Elverktygen alstrar gnistor som kan antända dammet eller gaserna.
- Håll under arbetet med elverktyget barn och obehöriga personer på betryggande avstånd. Om du störs av obehöriga personer kan du förlora kontrollen över elverktyget.

2. Elsäkerhet

- Elverktygets stickkontakt måste passa i vägguttaget. Ändra aldrig stickkontakten på något sätt. Använd inte adapterkontakter tillsammans med skyddsjordade elverktyg. Oförändrade stickkontakter och passande vägguttag minskar risken för elchock.
- Undvik kroppskontakt med jordade ytor som t.ex. rör, värmeelement, spisar och kylskåp. Det finns en större risk för elchock om din kropp är jordad.
- Skydda elverktyget mot regn och väta. Tränger vatten in i ett elverktyg ökar risken för elchock.
- Misshandla inte nätsladden. Använd inte sladden för att bära eller hänga upp elverktyget och inte heller för att dra stickproppen ur vägguttaget. Håll nätsladden på avstånd från värme, olja, skarpa kanter och rörliga maskindelar. Skadade eller tilltrasslade sladdar ökar risken för elchock.
- Använd endast förlängningssladdar som är godkända för utomhusbruk när du arbetar med ett elverktyg utomhus. Om en förlängningssladd avsedd för utomhusbruk används minskar risken för elchock.
- Om man måste använda ett elverktyg på en fuktig plats bör man använda ett uttag som skyddats med en

restströmsanordning (RCD). Vid användning av en restströmsanordning (RCD) minskar risken för elektriska stötar.

3. Personlig säkerhet

- Var uppmärksam, se på vad du gör och använd elverktyget med förnuft. Använd inte elverktyget när du är trött eller om du är påverkad av droger, alkohol eller mediciner. Under användning av elverktyg kan ett ögonblicks bristande uppmärksamhet leda till allvarliga kroppsskador.
 - Använd personlig skyddsutrustning. Bär alltid skyddsglasögon. Den personliga skyddsutrustningen, som t.ex. dammfiltermask, halkfria skyddsskor, hjälm eller hörselskydd, som bör användas under de gällande omständigheterna minskar risken för kroppsskada.
 - Undvik att verktyget startas av misstag. Kontrollera att strömställaren står i läge från innan du ansluter till vägguttaget och/eller batteripaketet, lyfter upp eller bär verktyget. Det kan vara mycket farligt att bära ett elverktyg med fingret på strömbrytaren eller koppla det till nätet med strömbrytaren på.
 - Ta bort alla inställningsverktyg och skruvnycklar innan du startar elverktyget. Ett verktyg eller en nyckel i en roterande komponent kan medföra kroppsskada.
 - Sträck dig inte för långt. Se till att du alltid har säkert fotfäste och balans. På så sätt kan du lättare kontrollera elverktyget i oväntade situationer.
 - Bär lämplig klädsel. Bär inte löst hängande kläder eller smycken. Håll hår, kläder och handskar undan från rörliga delar. Löst hängande kläder, smycken och långt hår kan dras in av roterande delar.
 - Om elverktyget är utrustat med dammsugnings- och uppsamlingsutrustning, kontrollera att dessa anordningar är rätt monterade och att de används på korrekt sätt. Dammuppsamling minskar riskerna för dammrelaterade olyckor.
- #### 4. Bruk och skötsel av elverktyg
- Överbelasta inte elverktyget. Använd rätt elverktyg för det aktuella arbetet. Med ett lämpligt elverktyg kan du arbeta bättre och säkrare inom angivet effektområde.
 - Ett elverktyg med defekt strömbrytare får inte användas. Ett elverktyg som inte kan kopplas till eller från är farligt och måste repareras.
 - Dra ut stickkontakten ur vägguttaget och/eller batteripaketet ur det motordrivna verktyget innan inställningar utförs, tillbehörsdelar byts ut eller det motordrivna verktyget ställs undan. Denna skyddsåtgärd förhindrar oavsiktlig inkoppling av elverktyget.
 - Förvara elverktygen oåtkomliga för barn. Låt inte elverktyget användas av personer som inte är förtrogna

- med dess användning eller inte läst denna anvisning. Elverktyg är farliga om de används av oerfarna personer.
- e. Sköt elverktyget omsorgsfullt. Kontrollera att rörliga komponenter fungerar felfritt och inte kärvar, att komponenter inte brustit eller skadats och inget annat föreligger som kan påverka elverktygets funktioner. Låt skadade delar repareras innan elverktyget används på nytt. Många olyckor orsakas av dåligt skötta elverktyg.
- f. Håll skärverktyg skarpa och rena. Omsorgsfullt skötta skärverktyg med skarpa eggar fastnar inte så lätt och går lättare att styra.
- g. Använd det motordrivna verktyget, tillbehör och insatsverktyg etc. enligt dessa anvisningar. Ta hänsyn till arbetsvillkoren och arbetsmomenten. Används elverktyget på icke ändamålsenligt sätt kan farliga situationer uppstå.

5. Service

- a. Låt endast elverktyget repareras av kvalificerad fackpersonal och med originalreservdelar. Detta garanterar att elverktygets säkerhet bibehålls.

Extra säkerhetsvarningar för motordrivna verktyg



Varning! Tillkommande säkerhetsvarningar för kontursågar och tigersågar

- ◆ Håll fast verktyget endast vid de isolerade handtagen när slipning utförs på ställen där skärverktyget kan skada dolda elledningar eller egen nätsladd. Om såg tillbehöret kommer i kontakt med en spänningsförande ledning sätts verktygets metalldelar under spänning vilket kan leda till elektriska stötar.
- ◆ Använd klämmor eller något annat praktiskt sätt för att fästa och stödja arbetsstycket på ett stabilt underlag. Om man håller arbetsstycket med handen eller mot kroppen blir det instabilt och man kan riskera att förlora kontrollen över det.
- ◆ Håll händerna borta från sågområdet. Vidrör aldrig undersidan av arbetsstycket av någon som helst anledning. Stick inte in fingrar eller tummen i närheten av det fram och återgående bladet och fastspänningsspaken. Stabilisera inte sågen genom att ta tag i fotplattan.
- ◆ Håll bladen vassa. Slöa eller skadade blad kan göra tt sågen svänger åt sidan eller fastnar under press. Använd alltid ett sågblad som passar arbetsstyckets material samt snitttyp.
- ◆ Vid kapning av rör eller ledningar, kontrollera att de är fria från vatten, elektriska ledningar, etc.
- ◆ Berör inte arbetsstycket eller bladet direkt efter att verktyget använts. De kan bli mycket heta.
- ◆ Kontrollera var de elektriska ledningarna, rörledningarna

och andra hinder är placerade innan du sågar i väggar, golv och tak.

- ◆ Klingan fortsätter att röra sig efter att man släppte strömbrytaren. Stäng alltid av maskinen och vänta tills sågbladet har stannat helt innan du lägger ifrån dig verktyget.
- Varning!** Kontakt med, eller inandning av, damm som uppstår vid sågning kan vara hälsovådligt för användaren eller eventuella omstående. Använd en specialkonstruerad ansiktsmask som skyddar mot damm eller ångor, samt se till att personer som vistas på, eller kommer i närheten av arbetsplatsen också är skyddade.
- ◆ Verktyget är inte avsett att användas av personer (inklusive barn) med försvagade fysiska, sensoriska eller mentala förmågor, eller som saknar erfarenhet och kunskaper, om de inte får övervakning eller undervisning i användning av apparaten av någon som ansvarar för deras säkerhet. Håll uppsyn så att inga barn leker med apparaten.
 - ◆ Verktygets avsedda bruk beskrivs i denna bruksanvisning. Bruk av tillbehör eller tillsatser, eller utförande av någon verksamhet med detta verktyg, som inte rekommenderas i denna bruksanvisning kan innebära risk för personskada och/eller skada på egendom.

Andra personers säkerhet

- ◆ Apparaten är inte avsedd att användas av personer (inklusive barn) med försvagade fysiska, sensoriska eller mentala förmågor, eller som saknar erfarenhet och kunskaper, om de inte får övervakning eller undervisning i användning av apparaten av någon som ansvarar för deras säkerhet.
- ◆ Håll uppsyn så att inga barn leker med apparaten.

Övriga risker.

Ytterligare risker som inte finns med i de bifogade säkerhetsföreskrifterna kan uppstå när verktyget används. Dessa risker kan uppstå vid felaktig eller långvarig användning, etc.

Även om alla relevanta säkerhetsföreskrifter följs och säkerhetsanordningar används kan vissa ytterligare risker inte undvikas. Dessa innefattar:

- ◆ Skador orsakade av att roterande/rörliga delar vidrörs.
- ◆ Skador som uppstår vid byte av delar, blad eller tillbehör.
- ◆ Skador som orsakas av långvarig användning av ett verktyg. Se till att ta regelbundna raster när du använder ett verktyg under en längre period.
- ◆ Skador på hörseln.
- ◆ Hälsofaror orsakade av inandning av damm när verktyget används (exempel: arbete med trä, särskilt ek, bok och MDF.)

Skakas

De angivna vibrationsemissionsvärdena i tekniska data / försäkran om överensstämmelse har uppmätts enligt en standardtestmetod som tillhandahålls av EN 60745 och kan användas för att jämföra olika verktyg med varandra.

De angivna vibrationsemissionsvärdena kan även användas för en preliminär beräkning av exponering.

Varning! Vibrationsemissionsvärdet under faktisk användning av elverktyget kan skilja sig från det angivna värdet beroende på hur verktyget används. Vibrationsnivån kan överstiga den angivna nivån.

Vid beräkning av vibrationsexponering för att bestämma säkerhetsåtgärder enligt 2002/44/EG för att skydda personer som regelbundet använder elverktyg i arbetet, bör en beräkning av vibrationsexponeringen ta med i beräkningen de faktiska användningsförhållandena och sättet verktyget används, inkluderande att man tar med i beräkningen alla delar av användningscykeln, förutom själva "avtryckartiden" även t.ex. när verktyget är avstängt och när det går på tomgång.

Märken på verktyget

Följande symboler finns på verktyget:



Varning! För att minska risken för skador måste användaren läsa igenom bruksanvisningen.

Elsäkerhet



Eftersom verktyget är dubbelisolerat behövs ingen jordledare. Kontrollera alltid att nätspänningen överensstämmer med värdet på märkplåten.

- ◆ Om nätsladden är skadad måste den bytas ut av tillverkaren eller en godkänd Black & Deckerserviceverkstad för att undvika en risksituation.

Detaljbeskrivning

Verktyget har en del eller samtliga av nedanstående funktioner.

1. Strömbrytare
2. Läsknapp
3. Ratt för variabel hastighet
4. Lägesväljare
5. Låsspak för sågbladet
6. Sågbladets hållare
7. Fotplatta
8. Läsknapp för fotplattan
9. Kontursågningsknapp
10. Förvaringsfack för sågblad

Montering

Varning! Se till att verktyget är avstängt samt att det inte är anslutet innan monteringen börjar.

Montering av sågblad (fig. A)

- ◆ Håll sågbladet (11) som bilden visar med tänderna riktade framåt.
- ◆ Tryck ner spaken (5).
- ◆ Tryck in sågbladets fattning i hållaren (6) så långt som möjligt.
- ◆ Släpp spaken.
- ◆ Justera stödrullen enligt beskrivningen nedan.

Justering av bladets stödrulle (fig. A & B)

När du har satt i bladet behöver stödrullen (12) justeras in.

- ◆ Vrid sågstödets justeringsskruv (13) motsols.
- ◆ För stödrullen mot ryggen på bladet. Bladet ska fixeras i rullens mittskära.
- ◆ Vrid sågstödets justeringsskruv medsols för att låsa sågstödet på plats.

Anslutning av dammsugare (fig. C & D)

- ◆ Passa in adaptern (14) vid fotplattan som bilden visar.
- ◆ Passa in gängorna (15) i spåren (16).
- ◆ Tryck adaptern bakåt tills den låses på plats.
- ◆ Anslut dammsugarlangan (17) (ingår inte) till adaptern. Dammsug är inte möjligt vid sågning under fasvinkel.

Varning! Använd inte dammsugaradaptren vid metallsågning.

Användning

Varning! Överbelasta inte maskinen, låt den arbeta i sin egen takt.

Varning! Använd aldrig sågen när fotplattan sitter löst eller är avtagen.

Justering av fotplattan för geringssågning (fig. E)

Fotplattan kan justeras till vänster eller höger med en vinkel på upp till 45°.

- ◆ Vrid läsknappen (8) i A-riktning för att frigöra fotplattan (7).
- ◆ Dra fotplattan (7) bakåt och ställ in den i önskad vinkel. Du kan kontrollera vinkeln med skalan eller med en gradskiva.
- ◆ Vrid läsknappen (8) i B-riktningen för att fixera fotplattan.

Återställ fotplattan för raka snitt:

- ◆ Vrid läsknappen (8) i A-riktning för att frigöra fotplattan (7).
- ◆ Dra fotplattan bakåt och ställ in den på en vinkel på 0°.
- ◆ Tryck fotplattan framåt.
- ◆ Vrid läsknappen (8) i B-riktningen för att fixera fotplattan. Kontrollera att fotplattan stöds av styrstavarna.

Ställa in driftläge (fig. F)

Vid rak sågning kan sågbladet ställas in och låsas i 4 lägen: framåt, bakåt, vänster eller höger.

- ◆ Vrid lägesväljaren (4) till läge A (kontursågningsläge).
- ◆ Vrid sågbladet till önskad riktning med kontursågningsknappen (9).
- ◆ Vrid lägesväljaren (4) till läge B (läge för rak sågning).
I detta läge kan kontursågningsknappen inte vridas.
Sågbladet är låst i sitt läge.

Kontursågningsläge

I kontursågningsläget kan sågbladet vridas för detaljerad och noggrann sågning. Vi rekommenderar användning av sågblad som är lämpliga för kontursågning i detta läge.

- ◆ Vrid lägesväljaren (4) till läge A (kontursågningsläge).
I detta läge finns ingen pendelåtgärd.

Läge för pendelåtgärd

I läget för pendelåtgärd är sågbladet låst i riktningen framåt för snabb rak sågning.

- ◆ Vrid lägesväljaren (4) till läge A (kontursågningsläge).
- ◆ Roter sågbladet till framåtriktningen med kontursågningsknappen (9).
- ◆ Vrid lägesväljaren (4) till läge C (läge för pendelåtgärd).
I detta läge kan kontursågningsknappen inte vridas.
Sågbladet är låst i sitt läge.

Variabel hastighetskontroll

- ◆ Ställ den steglösa kontrollknappen (3) på önskad hastighet. Använd höga hastigheter för trä, mellanhastigheter för aluminium och plast och låga hastigheter för andra metaller än aluminium.

Start och stopp

- ◆ Tryck på strömbrytaren för att starta verktyget (1).
- ◆ Tryck in spärknappen (2) och släpp strömbrytaren om du vill att verktyget ska gå hela tiden.
- ◆ Släpp strömbrytaren för att stänga av verktyget. För att stoppa verktyget när det är inställt på kontinuerlig gång så trycker du en gång till på strömbrytaren, och släpper den sedan.

Att använda SightLine™-funktionen (fig. G)

- ◆ Markera såglinjen med en penna.
- ◆ Placera sticksågen över linjen (18).

Linjen är lätt att följa när man ser den rakt uppifrån över sågen. Om man inte har bra överblick kontroll, kan man använda urlaget (19) som sågstyrning.

Råd för bästa resultat

Sågning i laminat

Eftersom sågbladet skär uppåt, kan skiktet närmast fotplattan splittras vid snittkanten.

- ◆ Använd ett fintandat sågblad.
- ◆ Såga från arbetsstyckets baksida.

- ◆ För att undvika splittring av arbetsstycket kan man klämma fast en träbit eller dylikt på båda sidor av arbetsstycket och såga genom hela detta "sandwich-arrangemang".

Kontursågning

- ◆ Använd ett sågblad som är lämpat för kontursågning.
- ◆ Håll verktyget med ena handen och för den långsamt längs konturlinjen när kontursågningsknappen används.

Sågning i metall

- ◆ Tänk på att det tar mycket längre tid att såga metall än trä.
- ◆ Använd ett sågblad som är lämpligt för metallsågning.
- ◆ När du sågar i tunn plåt, kan du spänna fast en träbit på plåtens baksida och sedan såga igenom "sandwichen".
- ◆ Smörj ett tunt lager olja längs såglinjen.

Tillbehör

Verktygets användningsområde beror på vilket tillbehör du väljer. Black & Decker- och Piranhatillbehören är av hög kvalitet. Genom att använda dessa tillbehör kan du få ut mesta möjliga av verktyget.

Verktyget är avsett för sågblad både med U- och med T-fattning.

Skötsel

Ditt verktyg har tillverkats för att fungera under lång tid med ett minimum av underhåll. Med rätt underhåll och regelbunden rengöring behåller verktyget sin prestanda.

Varning! Stäng av verktyget och dra ut sladden innan du påbörjar underhåll och skötsel.

- ◆ Rengör regelbundet verktygets luftintag med en mjuk borste eller torr trasa.
- ◆ Rengör kåpan regelbundet med en fuktig trasa. Använd aldrig rengöringsmedel med lösnings- eller slipmedel.
- ◆ Droppa lite olja då och då på stödrullens axel.

Miljöskydd



Särskild insamling. Denna produkt får inte kastas bland vanliga hushållsoppor.

Om du någon gång i framtiden behöver ersätta din Black & Decker-produkt med en ny, eller inte längre behöver den, ska du inte kasta den i hushållsoporna. Denna produkt skall lämnas till särskild insamling.



Efter insamling av använda produkter och förpackningsmaterial kan materialen återvinnas och användas på nytt. Användning av återvunna material skonar miljön och minskar förbrukningen av råvaror.

Enligt lokal lagstiftning kan det förekomma särskilda insamlingar av uttjänt elutrustning från hushåll, antingen vid kommunala miljöstationer eller hos detaljhandlaren när du köper en ny produkt.

Black & Decker erbjuder en samlings- och återvinningstjänst för Black & Decker-produkter när de en gång har tjänat ut. För att använda den här tjänsten lämnar du in produkten till en auktoriserad B & D -reparatör/representant som tar hand om den för din räkning.

Närmaste auktoriserad Black & Decker-representant finner du genom det lokala Black & Decker-kontoret på adressen i den här manualen. Annars kan du söka på Internet, på listan över auktoriserade Black & Decker-representanter och alla uppgifter om vår kundservice och andra kontakter. www.2helpU.com

Tekniska data

	KS2005E Typ.1	
Spänning	V _{AC}	230
Ineffekt	W	600
Antal sågrotationer (obelastad)	min ⁻¹	800 - 3.200
Max. snittdjup		
Trä	mm	65
Stål	mm	4
Aluminium	mm	10
Vikt	kg	2,8

Bullernivå, uppmätt enligt EN 60745:

Bullernivå (L_{PA}) 92 dB(A), avvikelse (K) 3 dB(A)

Ljudeffekt (L_{WA}) 103 dB(A), avvikelse (K) 3 dB(A)

Vibrationens totala värde (treaxelvektorsumma) bestämd enligt EN 60745:

Såga trä (a_h) 11,00 m/s², avvikelse (K) 2,6 m/s²

Såga i metall (a_h) 13,96 m/s², avvikelse (K) 5,6 m/s²

EC-förklaring om överensstämmelse

MASKINDIREKTIVET



Black & Decker deklarerar att dessa produkter, beskrivna under "tekniska data", är tillverkade i överensstämmelse med: 2006/42/EG, EN 60745-1, EN 60745-2-11

För mer information, vänligen kontakta Black & Decker på följande adress eller den som anges på handbokens baksida.

Undertecknad är ansvarig för sammanställningen av den tekniska filen och gör denna försäkran som representant för Black & Decker.

Kevin Hewitt
Vice-President Global Engineering
Black & Decker Europe, 210 Bath Road, Slough,
Berkshire, SL1 3YD
Storbritannien
18/02/2010

Reservdelar / reparationer

Reservdelar finns att köpa hos auktoriserade Black & Decker verkstäder, som även ger kostnadsförslag och reparerar våra produkter.

Förteckning över våra auktoriserade verkstäder finns på Internet, vår hemsida www.blackanddecker.se samt www.2helpU.com

Garanti

Black & Decker garanterar att produkten är fri från material- och/eller fabrikationsfel vid leverans till kund. Garantin är i tillägg till konsumentens lagliga rättigheter och påverkar inte dessa. Garantin gäller inom medlemsstaterna i Europeiska Unionen och i det Europeiska Frihandelsområdet.

Om en Black & Decker produkt går sönder på grund av material- och/eller fabrikationsfel eller brister i överensstämmelse med specifikationen, inom 24 månader från köpet, åtar sig Black & Decker att reparera eller byta ut produkten med minsta besvär för kunden.

Garantin gäller inte för fel som beror på:

- ◆ normalt slitage
- ◆ felaktig användning eller skötsel
- ◆ att produkten skadats av främmande föremål, ämnen eller genom olyckshändelse

Garantin gäller inte om reparation har utförts av någon annan än en auktoriserad Black & Decker verkstad.

För att utnyttja garantin skall produkten och inköpskvittot lämnas till återförsäljaren eller till en auktoriserad verkstad senast 2 månader efter det att felet har upptäckts.

För information om närmaste auktoriserad verkstad; kontakta det lokala Black & Decker kontoret på den adress som är angiven i bruksanvisningen. En lista på alla auktoriserade verkstäder samt servicevillkor finns även tillgängligt på Internet, adress: www.2helpU.com

Besök vår webbplats www.blackanddecker.se för att registrera din nya Black & Decker-produkt samt för att erhålla information om nya produkter och specialerbjudanden. Vidare information om märket Black & Decker och vårt produktsortiment kan återfinnas på www.blackanddecker.se

Bruksområder

Stikksagen fra Black & Decker er utformet for saging av tre, plast og metallplater. Verktøyet er tiltenkt kun som konsumentverktøy.

Sikkerhetsinstruksjoner

Generelle sikkerhetsadvarsler for elektroverktøy



Advarsel! Les alle sikkerhetsadvarsler og alle instruksjoner. Hvis advarsler og instruksjoner ikke følges, kan det medføre elektrisk støt, brann og/eller alvorlige skader.

Ta vare på alle advarsler og instruksjoner for fremtidige oppslag. Uttrykket «elektroverktøy» i alle advarslene nedenfor gjelder for strøm-drevne elektroverktøy (med ledning) og batteridrevne elektroverktøy (uten ledning).

1. Sikkerhet i arbeidsområdet

- Hold arbeidsområdet rent og godt opplyst. Rotete arbeidsområder med dårlig belysning kan føre til ulykker.
- Ikke arbeid med elektroverktøy i eksplosjonsfarlige omgivelser hvor det finnes brennbare væsker, gass eller støv. Elektroverktøy forårsaker gnister som kan antenne støv eller røyk.
- Hold barn og andre personer unna når elektroverktøyet brukes. Hvis du blir forstyrret under arbeidet, kan du miste kontrollen.

2. Elektrisk sikkerhet

- Støpselet til elektroverktøyet må passe inn i stikkkontakten. Støpselet må ikke forandres på noen som helst måte. Ikke bruk adapterstøpsler sammen med jordete elektroverktøy. Bruk av originale støpsler og passende stikkontakter reduserer risikoen for elektrisk støt.
- Unngå kroppskontakt med jordete overflater som rør, radiatorer, komfyrer og kjøleskap. Det er større fare for elektrisk støt hvis kroppen din er jordet.
- Utsett ikke elektroverktøy for regn eller fuktighet. Dersom det kommer vann i et elektroverktøy, øker risikoen for elektrisk støt.
- Unngå uforvarslig behandling av ledningen. Elektroverktøyet må aldri bæres eller trekkes etter ledningen, og trekk heller ikke ut støpselet ved å rykke i ledningen. Hold ledningen unna varme, olje, skarpe kanter eller bevegelige deler. Med skadde eller sammenflokete ledninger øker risikoen for elektrisk støt.
- Når du arbeider utendørs med et elektroverktøy, må du kun bruke en skjøteledning som er godkjent til utendørs bruk. Ved å bruke en skjøteledning som er egnet for utendørs bruk, reduseres risikoen for elektrisk støt.

- Hvis du må bruke et elektrisk verktøy på et fuktig sted, må du bruke en forsyning som er beskyttet med en reststrømsanordning (RCD). Bruk av en RCD reduserer risikoen for støt.

3. Personssikkerhet

- Vær oppmerksom, pass på hva du gjør og vis fornuft når du arbeider med et elektroverktøy. Ikke bruk elektroverktøy når du er trett eller er påvirket av narkotika, alkohol eller medikamenter. Et øyeblikks uoppmerksomhet under bruk av verktøyet kan føre til alvorlige personskader.
 - Bruk personlig verneutstyr. Bruk alltid vernebriller. Verneutstyr som støvmaske, sko med gode såler, hjelm og hørselsvern bør brukes for å redusere risikoen for personskade.
 - Unngå utilsiktet oppstart. Påse at bryteren er i av-stilling før du kople til strøm og/eller batteripakke, plukker opp eller bærer verktøyet. Hvis du bærer et elektrisk verktøy med fingeren på bryteren, eller hvis du setter strøm på et verktøy som har bryteren slått på, inviterer du til ulykker.
 - Fjern innstillingsverktøy eller skrunøkler før du slår på elektroverktøyet. Et verktøy eller en nøkkel som befinner seg i en roterende del kan føre til personskade.
 - Ikke strekk deg for langt. Pass på at du alltid har sikkert fotfeste og god balanse. Da kan du kontrollere elektroverktøyet bedre i uventede situasjoner.
 - Bruk alltid egnede klær. Ikke bruk løstsittende klær eller smykker. Hold hår, klær og hansker unna bevegelige deler. Løstsittende klær, smykker eller langt hår kan komme inn i bevegelige deler.
 - Hvis det kan monteres støvavsug- og oppsamlingsinnretninger, må du forvisse deg om at disse er tilkoblet og brukes på riktig måte. Bruk av støvavsug reduserer faren i forbindelse med støv.
- #### 4. Aktsom håndtering og bruk av elektroverktøy
- Ikke bruk makt på elektroverktøyet. Bruk et elektroverktøy som er beregnet på den type arbeid du vil utføre. Med et passende elektroverktøy arbeider du bedre og sikrere i det angitte effektområdet.
 - Ikke bruk elektroverktøyet hvis det ikke lar seg slå på og av med bryteren. Et elektroverktøy som ikke kan kontrolleres med bryteren er farlig og må repareres.
 - Trekk støpselet ut av stikkkontakten og/eller kople fra batteripakken før du utfører innstillinger på et elektrisk verktøy, skifter tilbehør eller legger verktøyet bort. Disse tiltakene reduserer risikoen for en utilsiktet start av elektroverktøyet.
 - Elektroverktøy som ikke er i bruk må oppbevares utilgjengelig for barn. Ikke la verktøyet brukes av personer som ikke er fortrolig med det eller som ikke

- har lest disse bruksanvisningene. Elektroverktøy er farlige når de brukes av uerfarne personer.
- e. Vær nøye med vedlikehold av elektroverktøy. Kontroller om bevegelige deler fungerer feilfritt og ikke klemmes fast, om deler er brukket eller skadet og andre forhold som kan innvirke på elektroverktøys funksjon. Hvis elektroverktøyet er skadet, må det repareres før bruk. Dårlig vedlikeholdte elektroverktøy er årsaken til mange uhell.
 - f. Hold skjæreverktøy skarpe og rene. Godt vedlikeholdte skjæreverktøy med skarpe egger setter seg ikke så ofte fast og er lettere å føre.
 - g. Bruk elektroverktøy, tilbehør, bor osv. i henhold til disse instruksjonene. Ta hensyn til arbeidsforholdene og arbeidet som skal utføres. Bruk av elektroverktøy til andre formål enn det som er angitt, kan føre til farlige situasjoner.
5. Service
- a. **Elektroverktøyet ditt skal alltid repareres av kvalifisert personell og kun med originale reservedeler.** Dette sikrer at elektroverktøys sikkerhet opprettholdes.

Ekstra sikkerhetsadvarsler for elektroverktøy



Advarsel! Utfyllende sikkerhetsadvarsler for løvsager og gittersager

- ◆ **Hold verktøy i de isolerte gripeflatene når du utfører arbeid der skjæreverktøyet kan komme i kontakt med skjulte ledninger eller sin egen kabel.** Kontakt med en strømførende ledning vil gjøre verktøys metalldeleer strømførende og gi operatøren støt.
- ◆ **Bruk klemmer eller en annen praktisk måte til å feste arbeidsemnet til et stabilt underlag.** Arbeidsemnet blir ustabil og du mister kontroll dersom du holder det i hånden eller inn mot kroppen.
- ◆ **Hold hendene unna kutteområdet.** Grip aldri inn under arbeidsemnet uansett grunn. Ikke plasser fingrene eller tommelen i nærheten av gitterbladet og bladklemmen. Ikke stabiliser sagen ved å gripe skoen.
- ◆ **Hold bladene skarpe.** Sløve eller skadede blader kan få sagen til å spinne eller kjøre seg fast under press. Bruk alltid blad som er beregnet på arbeidsmaterialet, og på den typen kutt som skal utføres.
- ◆ Når du kutter rør eller kanaler, påse at disse er tomme for vann, elektriske ledninger osv.
- ◆ Ikke berør arbeidsemnet eller bladet rett etter at verktøyet har vært brukt. De kan være meget varme.
- ◆ Vær oppmerksom på skjulte farer. Før kutting i vegger, gulv eller tak, må du undersøke hvor ledninger og rør befinner seg.

- ◆ Bladet vil frslette å bevege seg etter at du slipper opp bryteren. Slå alltid verktøyet av, og vent til bladene har stoppet helt før du legger sagen fra deg.

Advarsel! Kontakt med eller innånding av støv kan være helseskadelig for brukeren og eventuelle andre tilstedeværende. Bruk en spesialmaske som verner mot støv og damp, og pass på at andre som oppholder seg eller kommer inn i området der du arbeider, også beskytter seg.

- ◆ Dette verktøyet er ikke beregnet til å brukes av personer (inkludert barn) med redusert fysisk, sansemessig eller mental kapasitet eller mangel på erfaring og kunnskap, med mindre de er under oppsyn eller har fått opplæring i bruk av verktøyet av en person som har ansvaret for deres sikkerhet. Barn må ha tilsyn for å sikre at de ikke leker med apparatet.
- ◆ Denne instruksjonshåndboken forklarer beregnet bruksmåte. Bruk bare tilbehør og utstyr som anbefales i bruksanvisningen. Bruk av annet verktøy eller tilbehør kan medføre risiko for skade på person og/eller utstyr.

Andre persons sikkerhet

- ◆ Apparatet er ikke beregnet til å brukes av personer (inkludert barn) med redusert fysisk, sansemessig eller mental kapasitet eller mangel på erfaring og kunnskap, med mindre de er under oppsyn eller har fått opplæring i bruk av apparatet av en person som har ansvaret for deres sikkerhet.
- ◆ Barn må ha tilsyn for å sikre at de ikke leker med apparatet.

Andre risikoer.

Ved bruk av verktøyet kan det oppstå ytterligere risikoer som kanskje ikke er inkludert i sikkerhetsadvarslene som følger med. Disse risikoene kan bli forårsaket av feil bruk, langvarig bruk osv.

Selv om de relevante sikkerhetsbestemmelsene blir fulgt, og sikkerhetsiltakene blir gjennomført, kan visse gjenværende risikoer ikke unngås. Disse omfatter:

- ◆ **Personskader som forårsakes av berøring av en roterende/bevegelig del.**
- ◆ **Personskader som forårsakes av at en del, et blad eller tilbehør endres.**
- ◆ **Personskader som forårsakes av langvarig bruk av et verktøy. Når du bruker et verktøy i lange perioder, må du sørge for å ta regelmessige pauser.**
- ◆ **Svekket hørsel.**
- ◆ **Helsefarer som forårsakes av innånding av støv som dannes når du bruker verktøyet (eksempel: arbeid med tre, spesielt eik, bok og MDF).**

Vibrasjon

De erklærte vibrasjonsnivåene i avsnittet Tekniske Data / Samsvarserklæring er målt i samsvar med en standard testmetode som gis av EN 60745, og kan brukes til å

sammenligne et verktøy med et annet. Erklært vibrasjonsnivå kan også brukes i en foreløpig vurdering av eksponering.

Advarsel! Vibrasjonsnivået ved faktisk bruk av elektroverktøyet kan variere fra erklært verdi, avhengig av måten verktøyet brukes på. Vibrasjonsnivået kan øke over det oppgitte nivået.

Når du vurderer eksponering til vibrasjon for å bestemme sikkerhetstiltak som anbefalt i 2002/44/EF for å beskytte personer som jevnlig bruker elektroverktøy, bør en estimering av eksponeringen ta hensyn til de faktiske bruksforholdene og måten verktøyet brukes på. Dette inkluderer alle deler av brukssyklusen som f.eks. tidsperioder da verktøyet er slått av og når det går uten belastning, i tillegg til faktisk arbeidstid.

Etiketter på verktøyet

Følgende symboler befinner seg på verktøyet:



Advarsel! Bruker må lese bruksanvisningen for å redusere faren for skader.

Elektrisk sikkerhet



Dette apparatet er dobbeltisolert. Derfor er ikke jording nødvendig. Kontroller alltid at nettspenningen er i overensstemmelse med spenningen på typeskiltet.

- ◆ Hvis strømledningen skades, må den skiftes ut av fabrikanten eller et autorisert Black & Decker servicesenter for å unngå fare.

Egenskaper

Dette verktøyet har noen av eller alle disse funksjonene:

1. Strømbryter
2. Låseknapp
3. Knapp for variabel hastighet
4. Modusvelger
5. Låsehendel til sagbladet
6. Sagbladholder
7. Anleggsplate
8. Låsebryter til anleggsplaten
9. Utskjæringsknapp
10. Oppbevaringsrom til sagblad

Montering

Advarsel! Før monteringen, må du passe på at verktøyet er slått av og at kontakten er trukket ut.

Montere sagbladet (fig. A)

- ◆ Hold sagbladet (11) som vist, med tennene forover.
- ◆ Skyv hendelen (5) nedover.
- ◆ Sett skaffet på sagbladet så langt inn i sagbladholderen (6) som det kommer.

- ◆ Slipp hendelen.
- ◆ Juster støtterullen som beskrevet nedenfor.

Justere støtterullen til sagbladet (fig. A & B)

Når du har montert bladet, må du justere støtterullen til sagbladet (12).

- ◆ Skru justeringssskruen (13) for bladstøtten mot klokken.
- ◆ Skyv støtterullen til sagbladet mot baksiden av bladet. Bladet må sitte i midtsporet på rullen.
- ◆ Skru justeringssskruen for bladstøtten med klokken for å låse bladstøtten i riktig stilling.

Kople en støvsuger til verktøyet (fig. C & D)

- ◆ Sett støvsugeradapteren (14) på linje med anleggsplaten, som vist.
- ◆ Sett rillene (15) inn i sporene (16).
- ◆ Skyv adapteren bakover for å låse den i riktig stilling.
- ◆ Kople støvsugerslangen (17) (følger ikke med) til adapteren.

Støvsug er ikke mulig ved gjærings-saging.

Advarsel! Ikke bruk støvsugsadapteren når du sager i metall.

Bruk

Advarsel! La verktøyet jobbe med sin egen hastighet. Ikke overbelast det.

Advarsel! Ikke bruk verktøyet hvis anleggsplaten er løs eller tatt av.

Justere anleggsplaten for gjærings-saging (fig. E)

Anleggsplaten kan stilles til en venstre eller høyre gjæringsvinkel på opptil 45°.

- ◆ Drei låsebryteren (8) i retning A for å løsne anleggsplaten (7).
- ◆ Trekk anleggsplaten (7) bakover, og still den til ønsket vinkel. Du kan bruke en gradskive.
- ◆ Drei låsebryteren (8) i retning B for å låse anleggsplaten. Tilbakestille anleggsplaten for rette kutt:
- ◆ Drei låsebryteren (8) i retning A for å løsne anleggsplaten (7).
- ◆ Trekk anleggsplaten bakover, og still den til en vinkel på 0°.
- ◆ Skyv anleggsplaten fremover.
- ◆ Drei låsebryteren (8) i retning B for å låse anleggsplaten. Pass på at anleggsplaten støttes av rillene.

Stille inn driftsmodusen (fig. F)

I rett sagemodus kan sagbladet stilles og låses i 4 posisjoner: Forover, revers, venstre eller høyre.

- ◆ Drei modusvelgeren (4) til stilling A (utskjæringsmodus).
- ◆ Drei sagbladet i den påkrevde retningen ved hjelp av utskjæringsknappen (9).

- ◆ Dreiodusvelgeren (4) til stilling B (rett sagemodus). I denne stillingen kan ikke utskjæringsknappen dreies. Sagbladet er låst i stillingen sin.

Utskjæringsmodus

I utskjæringsmodus kan sagbladet dreies så det lettere kommer til ved innviklet og nøyaktig saging. Det anbefales å bruke sagblader som egner seg til utskjæring i denne modusen.

- ◆ Dreiodusvelgeren (4) til stilling A (utskjæringsmodus). I denne stillingen forekommer ingen pendling.

Pendelmodus

Ved pendelsaging er sagbladet låst i retning forover for å muliggjøre hurtig, rett saging.

- ◆ Dreiodusvelgeren (4) til stilling A (utskjæringsmodus).
- ◆ Drei sagbladet i retning forover ved hjelp av utskjæringsknappen (9).
- ◆ Dreiodusvelgeren (4) til stilling C (pendelmodus). I denne stillingen kan ikke utskjæringsknappen dreies. Sagbladet er låst i stillingen sin.

Variabel hastighetskontroll

- ◆ Sett knappen for variabel hastighet (3) på ønsket hastighet. Bruk høy hastighet til tre, middels hastighet til aluminium og PVC og lav hastighet for andre metaller enn aluminium.

Start og stopp

- ◆ Trykk på strømbryteren (1) for å slå verktøyet på.
- ◆ For kontinuerlig drift, trykk på låseknappen (2) og slipp strømbryteren.
- ◆ Slipp strømbryteren for å slå verktøyet av. Slå av verktøyet når det er i kontinuerlig drift ved å trykke en gang til på strømbryteren og slippe den.

Bruke funksjonen SightLine™ (fig. G)

- ◆ Bruk en blyant til å merke av linjen du skal sage etter.
- ◆ Sett stikksagen over linjen (18).

Når du ser linjen rett ovenfra, er det lett å følge den. Er sikten av en eller annen grunn begrenset, kan du bruke sporet (19) som veiledning.

Råd for optimalt resultat

Sage laminater

Fordi sagbladet skjærer ved bevegelse oppover, kan overflaten bli oppflislet helt inntil anleggsplaten.

- ◆ Bruk et fintannet sagblad.
- ◆ Sag fra baksiden av arbeidsemnet.
- ◆ Du kan redusere oppflisningen ved å klemme fast en planke eller fiberplate på begge sider av arbeidsemnet, og sage gjennom alle delene samtidig.

Utskjæring

- ◆ Bruk et sagblad som er egnet for utskjæring i tre.
- ◆ Hold verktøyet med én hånd, og beveg verktøyet sakte langs skjærelinjen mens du bruker utskjæringsknappen.

Sage i metall

- ◆ Husk at det tar mye mer tid å sage i metall enn i tre.
- ◆ Bruk et sagblad som er egnet for saging i metall.
- ◆ Klem fast en planke på baksiden av arbeidsemnet når du skal sage tynne metallplater, og sag gjennom begge deler samtidig.
- ◆ Legg en oljefilm langs beregnet sagelinje.

Tilbehør

Verktøyet bruksområde er avhengig av hvilket tilbehør du velger. Tilbehør fra Black & Decker og Piranha er utformet i henhold til høye kvalitetsstandarder og er utformet for å gi optimal ytelse ved bruk sammen med ditt verktøy. Når du bruker dette tilbehøret, får du optimal ytelse fra ditt verktøy.

Dette verktøyet er egnet for både U- og T-sagblader.

Vedlikehold

Verktøyet ditt er konstruert for å være i drift over lengre tid med et minimum av vedlikehold. Det er avhengig av godt vedlikehold og regelmessig rengjøring for å fungere som det skal til enhver tid.

Advarsel! Før alt vedlikehold må verktøyet slås av og kontakten trekkes ut.

- ◆ Rengjør ventileringsåpningene på verktøyet regelmessig med en myk børste eller en tørr klut.
- ◆ Rengjør motorhuset regelmessig med en fuktig klut. Ikke bruk slipende eller løsemiddelbaserte rengjøringsmidler.
- ◆ Påfør en dråpe olje på akselen til bladstøtterullen av og til.

Miljøvern



Kildesortering. Dette produktet må ikke kastes i det vanlige husholdningsavfallet.

Hvis du finner ut at Black & Decker-produktet ditt må skiftes ut, eller hvis du ikke lenger har bruk for det, må du unnlåte å kaste det sammen med det vanlige husholdningsavfallet. Sørg for at dette produktet gjøres tilgjengelig for kildesortering.



Kildesortering av brukte produkter og emballasje gjør det mulig å resirkulere materialer og bruke dem igjen. Gjenbruk av resirkulerte materialer bidrar til å forhindre forurensning av miljøet og reduserer behovet for råmaterialer.

Lokale regelverk kan legge tilrette for kildesortering av elektriske produkter fra husholdningen, ved kommunale deponier eller gjennom forhandleren når du kjøper et nytt produkt.

Black & Decker har tilrettelagt for innsamling og resirkulering av Black & Decker-produkter etter at de har utspilt sin rolle. Ønsker du å benytte deg av denne tjenesten, returnerer du produktet ditt til et autorisert serviceverksted, som tar det imot og formidler det videre.

Du kan få adressen til ditt nærmeste autoriserte serviceverksted ved å kontakte ditt lokale Black & Decker-kontor på adressen oppgitt i denne håndboken. Du kan også finne en komplett liste over autoriserte Black & Decker-serviceverksteder og utfyllende informasjon om vår etter salg-service og kontaktnumre på Internett på følgende adresse: www.2helpU.com

Tekniske data

KS2005E Typ.1	
Spenning	V _{AC} 230
Inn-effekt	W 600
Sagbladets slag (ubelastet)	min ⁻¹ 800 - 3.200
Maks. sagedybde	
Tre	mm 65
Stål	mm 4
Aluminium	mm 10
Vekt	kg 2,8

Lydnivået, målt i henhold til EN 60745:

Lydtrykk (L_{pA}) 92 dB(A), usikkerhet (K) 3 dB(A)

Lydeffekt (L_{WA}) 103 dB(A), usikkerhet (K) 3 dB(A)

Totalverdier, vibrasjon (triax vektorsum) bestemt ifølge EN 60745:

Sage tre (a_n) 11,00 m/s², usikkerhet (K) 2,6 m/s²

Sage metall (a_n) 13,96 m/s², usikkerhet (K) 5,6 m/s²

Samsvarserklæring for EU MASKINDIREKTIVET



Black & Decker erklærer at produktene som beskrives under "tekniske data" oppfyller kravene til: 2006/42/EF, EN 60745-1, EN 60745-2-11

For mer informasjon, kontakt Black & Decker på følgende adresse eller se bakerst i håndboken.

Undertegnede er ansvarlig for sammenstillingen av den tekniske filen og avgir denne erklæringen på vegne av Black & Decker.

Kevin Hewitt
Visepresident, Global Engineering
Black & Decker Europe, 210 Bath Road, Slough,
Berkshire, SL1 3YD
Storbritannia
18/02/2010

Reservdeler / reparasjoner

Reservdeler kan kjøpes hos autoriserte Black & Decker serviceverksteder, som også gir kostnadsoverslag og reparerer våre produkter.

Oversikt over våre autoriserte serviceverksteder finnes på Internet, vår hjemmeside www.blackanddecker.no samt www.2helpU.com

Garanti

Black & Decker garanterer at produktet ikke har material- og/eller fabrikasjonsfeil ved levering til kunde. Garantien er i tillegg til kundens lovlige rettigheter og påvirker ikke disse. Garantien gjelder innen medlemsstatene i den Europeiske Unionen og i det Europeiske Frihandelsområdet.

Hvis et Black & Decker produkt går i stykker på grunn av material- og/eller fabrikasjonsfeil eller har mangler i forhold til spesifikasjonene, innen 24 måneder fra kjøpet, påtar Black & Decker seg å reparere eller bytte ut produktet med minst mulig vanskelighet for kunden.

Garantien gjelder ikke for feil som kommer av:

- ◆ normal slittasje
- ◆ feilaktig bruk eller vedlikehold (mislighold)
- ◆ at produktet har blitt skadet av fremmede gjenstander, emner eller ved et uhell

Det gjøres oppmerksom på at produktet ikke er beregnet på industriell/profesjonell/yrkesmessig bruk, men til hus- og hjemmebruk.

Garantien gjelder ikke om reparasjoner har blitt utført av noen andre enn et autorisert Black & Decker serviceverksted.

For å ta garantien i bruk skal produktet og kjøpekvitteing leveres til forhandleren eller til et autorisert serviceverksted senest 2 måneder etter at feilen har blitt oppdaget. For informasjon om nærmeste autoriserte serviceverksted; kontakt det lokale Black & Decker kontoret på den adressen som er angitt i bruksanvisningen. En oversikt over alle autoriserte serviceverksteder samt servicevilkår finnes også tilgjengelig på Internet, adresse: www.2helpU.com

Vennligst stikk innom våre nettsider på www.blackanddecker.no for å registrere ditt nye Black & Decker-produkt og for å holde deg oppdatert om nye produkter og spesialtilbud. Du finner mer informasjon om Black & Decker og produktutvalget vårt på www.blackanddecker.no

Anvendelsesområde

Din Black & Decker dekupørsav er designet til savning i træ, plastik og plademetal. Værktøjet er kun beregnet til privat brug.

Sikkerhedsinstruktioner

Generelle sikkerhedsadvarsler for værktøjet



Advarsel! Læs alle sikkerhedsadvarsler og instrukser. Hvis nedenstående advarsler og instrukser ikke følges, er der risiko for elektrisk stød, brand og/eller alvorlige personskader.

Gem alle advarsler og instruktioner til fremtidig brug.

Det benyttede begreb "el-værktøj" i nedennævnte advarsler refererer til el-netdrevne (med tilslutningsledning) eller batteridrevne maskiner (uden tilslutningsledning).

1. **Sikkerhed i arbejdsområdet**
 - a. **Sørg for, at arbejdsområdet er rent og ryddeligt.** Rodede eller uoplyste arbejdsområder øger faren for uheld.
 - b. **Brug ikke el-værktøj i eksplosionstruede omgivelser, f.eks. hvor der er brændbare væsker, gasser eller støv.** El-værktøj kan slå gnister, der kan antænde støv eller dampe.
 - c. **Sørg for, at børn og andre personer holder sig på afstand, når el-værktøjet er i brug.** Hvis man distraheres, kan man miste kontrollen over maskinen.
2. **El-sikkerhed**
 - a. **El-værktøjsstik skal passe til kontakten. Stikkene må under ingen omstændigheder ændres. Brug ikke adapterstik sammen med jordforbundet el-værktøj.** Uændrede stik, der passer til kontakterne, nedsætter risikoen for elektrisk stød.
 - b. **Undgå kropskontakt med jordforbundne overflader som f.eks. rør, radiatorer, komfurer og køleskabe.** Hvis din krop er jordforbundet, øges risikoen for elektrisk stød.
 - c. **El-værktøj må ikke udsættes for regn eller fugt.** Indtrængen af vand i el-værktøj øger risikoen for elektrisk stød.
 - d. **Undgå at ødelægge ledningen. Undgå at bære, trække eller afbryde el-værktøjet ved at rykke i ledningen.** Beskyt ledningen mod varme, olie, skarpe kanter eller maskindele, der er i bevægelse. Beskadigede eller indviklede ledninger øger risikoen for elektrisk stød.
 - e. **Hvis el-værktøj benyttes i det fri, skal der benyttes en forlængerledning, som er godkendt til udendørs brug.** Brug af en forlængerledning til udendørs brug nedsætter risikoen for elektrisk stød.
 - f. **Ved anvendelse af et elektrisk værktøj i områder med damp, anvend da en beskyttende afskærmning.** Denne afskærmning reducerer risikoen for elektrisk stød.
3. **Personlig sikkerhed**
 - a. **Vær opmærksom, hold øje med, hvad du laver, og brug el-værktøjet fornuftigt.** Man bør ikke bruge maskinen, hvis man er træt, har nydt alkohol eller er påvirket af medicin eller euforiserende stoffer. Få sekunders uopmærksomhed ved brug af el-værktøjet kan føre til alvorlige personskader.
 - b. **Anvend sikkerhedsudstyr. Bær altid beskyttelsesbriller.** Beskyttende udstyr, som en støvmaske, skridsikre sikkerhedssko, beskyttelseshjelm eller ørepropper anvendt i de rigtige betingelser reducere ulykker.
 - c. **Forebyg umotiveret opstart. Vær sikker på, at kontakten er slukket før du forbinder kraftkilden og/eller batteriet, løfter eller bærer værktøjet.** Hvis du bærer på værktøjet med din finger på kontakten eller starter værktøjet med kontakten slået til indbyder til ulykker.
 - d. **Fjern indstillingsværktøj eller skruenøgle, inden el-værktøjet tændes.** Et værktøj eller en nøgle, der efterlades i en roterende del i el-værktøjet, kan resultere i personskader.
 - e. **Overvurder ikke dig selv. Sørg for, at du altid har sikkert fodfæste og balance.** Det gør det nemmere at kontrollere el-værktøjet, hvis der skulle opstå uventede situationer.
 - f. **Brug egnet arbejdstøj. Undgå løse beklædningsgenstande eller smykker. Hold hår, tøj og handsker væk fra dele, der bevæger sig.** Bevægelige dele kan gribe fat i løstsiddende tøj, smykker eller langt hår.
 - g. **Hvis støvudsugnings- og opsamlingsudstyr kan monteres, er det vigtigt, at dette tilsluttes og benyttes korrekt.** Brug af støvopsamling nedsætter risikoen for personskader som følge af støv.
4. **Brug og vedligeholdelse af el-værktøj**
 - a. **Undgå at overbelaste el-værktøjet. Brug altid det rette el-værktøj til opgaven.** Med det rigtige el-værktøj udføres arbejdet lettere og sikrere inden for det angivne effektområde.
 - b. **Brug ikke el-værktøjet, hvis afbryderen er defekt.** El-værktøj, der ikke kan reguleres med afbryderen, er farligt og skal repareres.
 - c. **Træk stikket ud af stikkontakten og/eller afmonter batteriet inden indstilling, tilbehørsudskiftning eller opbevaring af el-værktøjet.** Disse sikkerhedsforanstaltninger reducerer risikoen for utilsigtet start af værktøjet.
 - d. **Opbevar ubenyttet el-værktøj uden for børns rækkevidde.** Lad aldrig personer, der ikke er fortrolige med el-værktøj, eller som ikke har gennemlæst disse instrukser, benytte maskinen. El-værktøj er farligt, hvis det benyttes af ukyndige personer.
 - e. **El-værktøj bør vedligeholdes omhyggeligt.** Kontroller, om bevægelige dele er skæve og ikke sidder fast, og om delene er brækket eller beskadiget, således at el-værktøjets funktion påvirkes. Få beskadigede dele

repareret, inden el-værktøjet tages i brug. Mange uheld skyldes dårligt vedligeholdet el-værktøj.

- f. **Sørg for, at skæreværktøjer er skarpe og rene.** Omhyggeligt vedligeholdte skæreværktøjer med skarpe skærekanter sætter sig ikke så hurtigt fast og er nemmere at føre.
- g. **Brug el-værktøj, tilbehør, indsatsværktøj osv. i overensstemmelse med disse instrukser, og sådan som det kræves for denne specielle værktøjstype.** Tag hensyn til arbejdsforholdene og det arbejde, der skal udføres. I tilfælde af anvendelse af el-værktøjet til formål, som ligger uden for det fastsatte anvendelsesområde, kan der opstå farlige situationer.
5. Service
- a. **Sørg for, at el-værktøjet kun repareres af kvalificerede fagfolk, og at der kun benyttes originale reservedele.** Dermed bevares el-værktøjets sikkerhed.

Yderligere sikkerhedsadvarsler for værktøjet



Advarsel! Supplerende sikkerhedsadvarsler for kontursave og pendulsave.

- ◆ **Hold altid fast på maskinen på de isolerede håndtagsflader, når der skal saves i emner, hvor der er risiko for, at skæreværktøjet kan komme i kontakt med strømførende ledninger eller apparatets eget kabel.** I tilfælde af at skæretilbehør kommer i kontakt med strømførende ledninger, vil metaldelene på værktøjet være under spænding og give elektrisk stød.
- ◆ **Brug spænder eller en anden praktisk måde til at sikre og støtte arbejdsemnet til en stabil flade.** Hvis det holdes i hånden eller mod kroppen, er det ustabilt og kan føre til tab af kontrol.
- ◆ **Hold hænderne væk fra skæreamrådet.** Ræk aldrig hænderne ned under arbejdsemnet. Sæt aldrig fingrene eller tommelen ind i nærheden af pendulklingen og klingens spænde. Stabiliser ikke saven ved at gribe fat i skoene.
- ◆ **Hold klingerne skarpe.** Sløve eller beskadigede klinger kan få saven til at svinge eller sætte sig fast under tryk. Man skal altid benytte en klinge, der er velegnet til arbejdsemnets materiale samt den opgave, man ønsker at udføre.
- ◆ Når du skærer i rør eller kanalmateriale, så sørg for, at det er tomt for vand, elektriske ledninger etc.
- ◆ Undgå at berøre arbejdsemnet eller klingens, når du lige har anvendt værktøjet. De kan blive meget varme.
- ◆ Pas på skjulte farer, før du saver i vægge, gulve eller lofter. Kontroller området for ledninger og rør.
- ◆ Klingens bliver ved med at bevæge sig, efter at kontakten er sluppet. Man skal altid slukke værktøjet og vente, indtil klingens er standset, før man sætter værktøjet fra sig.

Advarsel! Hvis brugeren eller eventuelle tilskuere kommer i kontakt med eller indåndet støv fra slibeapparater, kan det skade deres helbred. Bær en specielt designet støvmaske til beskyttelse mod støv og røg, og sørg for, at personer på arbejdsområdet eller personer, der kommer ind på arbejdsområdet, også er beskyttede.

- ◆ Dette apparat er ikke egnet til brug for personer (inklusive børn) med manglende evner eller viden omkring produktet, med mindre de har modtaget undervisning eller instruktioner i brug af apparatet fra en person, som er ansvarlig for sikkerheden. Der skal være opsyn med børn for at sikre, at de ikke leger med maskinen.
- ◆ Det formål, som dette værktøj er beregnet til, er beskrevet i denne brugsanvisning. Brug af andet tilbehør eller udførelse af en anden opgave med dette værktøj end de her anbefalede kan medføre risiko for personskader og/eller skader på materiel.

Andres sikkerhed

- ◆ Dette apparat er ikke egnet for at brug af personer (inklusive børn) med manglende evner eller viden omkring produktet, med mindre de har modtaget undervisning eller instruktioner i brug af apparatet fra en person, som er ansvarlig for sikkerheden.
- ◆ Der skal være opsyn med børn for at sikre, at de ikke leger med apparatet.

Restrisici.

Der kan opstå yderligere restrisici under brugen af værktøjet, som ikke kan medtages i vedlagte sikkerhedsadvarsler. Disse risici kan opstå pga. forkert anvendelse, langvarig brug etc. Selv ved overholdelse af relevante sikkerhedsforskrifter og anvendelse af sikkerhedsudstyr kan visse restrisici ikke undgås. Disse omfatter:

- ◆ **Tilskadekomst forårsaget af berøring af roterende/ bevægelige dele.**
- ◆ **Tilskadekomst forårsaget af udskifning af dele, blade eller tilbehør.**
- ◆ **Tilskadekomst forårsaget af langvarig brug af et værktøj. Husk at holde pause jævnligt ved brug af et værktøj i længere tid.**
- ◆ **Høreskader.**
- ◆ **Sundhedsrisici forårsaget af indånding af støv, der genereres ved brug af værktøjet (eksempel: Arbejde med træ, især, eg, bøg og MDF).**

Vibration

De deklarerede vibrationsemissionsværdier, som er angivet i tekniske data og overensstemmelseserklæring er blevet udmålt i overensstemmelse med en standardtestmetode foreskrevet af EN 60745 og kan anvendes til at sammenligne et værktøj med et andet. De deklarerede vibrationsemissionsværdier

ærdier kan ligeledes anvendes i en præliminær undersøgelse af eksponeringen.

Advarsel! Vibrationsemissionsværdien under den faktiske brug af værktøjet kan variere fra den deklarerede værdi, alt efter hvilken måde værktøjet anvendes på. Vibrationerne kan nå op på et niveau over det anførte.

Når vibrationseksponeringen undersøges med det formål at fastsætte sikkerhedsforanstaltningerne ifølge 2002/44/EF for at beskytte personer, som regelmæssigt anvender værktøjer i forbindelse med deres arbejde, bør en måling af vibrationseksponeringen betænke, den måde værktøjet anvendes på inklusive alle dele af arbejds cyklussen såsom tidspunkter, hvor værktøjet er slukket eller kører i tomgang, ud over det tidsrum hvor det anvendes.

Etiketter på værktøjet

Følgende piktogrammer ses på værktøjet:



Advarsel! For at mindske risikoen for skader skal brugeren læse instruktionsmanualen.

El-sikkerhed



Denne maskine er dobbelt isoleret. Derfor er jordledning ikke nødvendig. Kontroller altid, at strømforsyningen svarer til spændingen på apparatskiltet.

- ◆ Hvis el-ledningen er skadet, skal den udskiftes af producenten eller et autoriseret Black & Decker servicecenter for at undgå ulykker.

Funktioner

Dette værktøj har nogle af - eller alle følgende funktioner:

1. Afbryder
2. Låseknop
3. Betjeningsknop til variabel hastighed
4. Funktionsvælger
5. Klingens låsestang
6. Savklingeholder
7. Savsko
8. Savskoens låseknop
9. Konturknop
10. Klingens opbevaringsrum

Montering

Advarsel! Før montering skal man sikre sig, at værktøjet er slukket og taget ud af stikkontakten.

Montering af savklingen (fig. A)

- ◆ Hold savklingen (11) som vist med tænderne vendende fremad.
- ◆ Skub grebet (5) nedad.
- ◆ Sæt savklingens skaft så langt ind i savklingeholderen (6), som den kan komme.
- ◆ Slip grebet.
- ◆ Juster støtterullen til klingens som beskrevet nedenfor.

Justering af støtterullen til klingens (fig. A & B)

Efter montering af klingens skal du justere dens støtterulle (12).

- ◆ Drej justeringsskruen (13) til klingestøtten mod uret.
- ◆ Skub klingens støtterulle mod bagsiden af klingens. Klingens skal lægge sig i rullens midterindskæring.
- ◆ Drej justeringsskruen til klingestøtten med uret for at låse klingestøtten fast.

Tilslutning af en støvsuger til værktøjet (fig. C & D)

- ◆ Juster støvudsugningsadapteren (14) efter savskoens som vist.
- ◆ Indsæt tapperne (15) i rillerne (16).
- ◆ Skub adaptoren tilbage for at låse den i positionen.
- ◆ Tilslut støvsugerslangen (17) (medfølger ikke) til adapteren.

Støvudsugning er ikke mulig ved udførelse af smigskæringer.

Advarsel! Brug ikke støvsugeradaptoren, når du saver i metal.

Anvendelse

Advarsel! Lad værktøjet arbejde i dets eget tempo. Det må ikke overbelastes.

Advarsel! Brug aldrig værktøjet, hvis savskoens er løs eller fjernet.

Indstilling af savskoens til smigskæringer (fig. E)

Savskoens kan indstilles i venstre- eller højrevendt smig med vinkler på op til 45°.

- ◆ Drej låseknappen (8) i retning A for at løsne savskoens (7).
- ◆ Træk savskoens (7) tilbage, og placer den i den ønskede vinkel. Benyt skalaen eller en vinkelmåler til at kontrollere vinklen.
- ◆ Drej låseknappen (8) i retning B for at låse savskoens på plads.

Sådan nulstilles savskoens til lige skæringer:

- ◆ Drej låseknappen (8) i retning A for at løsne savskoens (7).
- ◆ Træk savskoens tilbage, og indstil den på en vinkel, der er ca. 0°.
- ◆ Skub savskoens frem.
- ◆ Drej låseknappen (8) i retning B for at låse savskoens på plads. Sørg for, at savskoens understøttes af føretapperne.

Indstilling af driftsmodus (fig. F)

Ved savning ligefrem kan savklingen sættes i 4 positioner og låses: frem, tilbage, til venstre eller til højre.

- ◆ Drej modusvælgerkontakten (4) i position A (kontursavning).
- ◆ Drej klingens retning i den nødvendige retning med konturknappen (9).
- ◆ Drej modusvælgerkontakten (4) i position B (savning ligefrem). I denne position kan konturknappen ikke drejes. Savklingen er låst fast i sin position.

Konturmodus

I konturmodus kan savklingen drejes, så man kan udføre snirklet og præcis savning. Det anbefales at bruge savklinger, der er egnede til kontursavning i denne modus.

- ◆ Drej modusvælgerkontakten (4) i position A (kontursavning). I denne position er der ingen pendulhandling.

Pendul-modus

I pendul-modus låses savklingen i retningen frem, dette er til for hurtig, lige savning.

- ◆ Drej modusvælgerkontakten (4) i position A (kontursavning).
- ◆ Drej savklingen i retningen fremad med konturknappen (9).
- ◆ Drej modusvælgerkontakten (4) i position C (pendulmodus). I denne position kan konturknappen ikke drejes. Savklingen er låst fast i sin position.

Styring af variabel hastighed

- ◆ Indstil hastighedskontrolknappen (3) på den ønskede hastighed. Brug høj hastighed til træ, medium hastighed til aluminium og PVC og lav hastighed til alt andet metal end aluminium.

Start og stop

- ◆ Tænd for værktøjet ved at trykke på afbryderen (1).
- ◆ Værktøjet sættes til vedvarende drift ved at trykke på låseknappen (2) og slippe afbryderen.
- ◆ Slip tænd-/slukknappen for at slukke værktøjet. Sluk for værktøjet, mens det arbejder i vedvarende drift, ved at trykke på afbryderen én gang til og derefter slippe den.

Sådan bruges funktionen SightLine™ (fig. G)

- ◆ Brug en blyant til at markere skærelinjen med
- ◆ Anbring stiksaven over linjen (18).

Ved at se lige ned på stiksaven kan man let følge skærelinjen. Hvis dette af en eller anden grund ikke er muligt, kan indskæringen (19) bruges som alternativ guide til skæringen.

Gode råd til optimalt brug

Savning i laminater

Når savklingen skærer i opadgående bevægelse, kan der forekomme splintring af den overflade, der er nærmest ved savskoens.

- ◆ Brug en fintandet savklinge.
- ◆ Sav fra bagsiden af arbejdsemnet.
- ◆ For at minimere splintring kan man spænde et stykke krydsfiner eller et stykke træfiberplade på hver side af arbejdsemnet og derefter skære tværs igennem disse tre lag.

Kontursavning

- ◆ Brug en savklinge, der er egnet til kontursavning i træ.
- ◆ Hold værktøjet med den ene hånd, og flyt langsomt værktøjet for at følge savelinjen, mens du betjener konturknappen.

Savning i metal

- ◆ Vær opmærksom på, at savning i metal tager meget længere tid end savning i træ.
- ◆ Brug en savklinge, der er egnet til savning i metal.
- ◆ Ved skæring i tyndt plademetall kan man spænde et stykke krydsfiner på bagsiden af arbejdsemnet og derefter skære tværs igennem disse to lag.
- ◆ Påfør et tyndt lag olie langs med savelinjen.

Tilbehør

Værktøjets ydeevne afhænger af, hvilket tilbehør der bruges. Black & Decker og Piranha tilbehør er konstrueret, så det opfylder høje kvalitetsstandarder, og det er beregnet til at forbedre værktøjets ydeevne. Bruger du dette tilbehør, vil du få det allerbedste ud af værktøjet.

Dette værktøj er velegnet til klinger med både U- og T-skaft.

Vedligeholdelse

Værktøjet er beregnet til at være i drift gennem en længere periode med minimal vedligeholdelse. Fortsat tilfredsstillende drift afhænger af korrekt behandling af værktøjet samt regelmæssig rengøring.

Advarsel! Før udførelse af vedligeholdelsesarbejde skal værktøjet slukkes og tages ud af stikkontakten.

- ◆ Man skal regelmæssigt rengøre værktøjets ventilationshuller med en blød børste eller en tør klud.
- ◆ Man skal regelmæssigt gøre motorhuset rent med en fugtig klud. Man må ikke bruge slibemidler eller opløsningsmidler.
- ◆ Dryp en gang imellem en dråbe olie på akslen på klingens støtterulle.

Beskyttelse af miljøet



Separat indsamling. Dette produkt må ikke bortskaffes sammen med almindeligt husholdningsaffald.

Hvis du en dag skal udskifte dit Black & Decker produkt, eller hvis du ikke skal bruge det længere, må du ikke bortskaffe det sammen med husholdningsaffald. Dette produkt skal være tilgængeligt for separat indsamling.



Separat indsamling af brugte produkter og emballage gør det muligt at genbruge materialer. Genbrugte materialer forebygger miljøforurening og nedbringer behovet for råstoffer.

Lokale regler kan give mulighed for separat indsamling af elektriske husholdningsprodukter på kommunale lossepladser eller hos den forhandler, som du købte produktet af.

Black & Decker har en facilitet til indsamling og genbrug af Black & Decker-produkter, når deres levetid er slut. Få fordelene ved denne service ved at returnere produktet til en autoriseret tekniker, der samler værktøj sammen på vores vegne.

Du kan få oplyst den nærmeste autoriserede tekniker ved at kontakte det lokale Black & Decker-kontor på den adresse, der er angivet i denne brugsanvisning. Alternativt findes der en liste over autoriserede Black & Decker-teknikere og oplysninger om vores eftersalgsservice og kontaktpersoner på Internettet på adressen: www.2helpU.com

Tekniske data

	KS2005E Typ. 1
Spænding	V _{AC} 230
Motoreffekt	W 600
Antal savstrøg (uden belastning)	min ⁻¹ 800 - 3.200
Maks. savdybde	
Træ	mm 65
Stål	mm 4
Aluminium	mm 10
Vægt	kg 2,8

Lydniveaueet i henhold til :

Lydtryk (L_{PA}) 92 dB(A), usikkerhed (K) 3 dB(A)

Lydintensitet (L_{WA}) 103 dB(A), usikkerhed (K) 3 dB(A)

Vibrationernes totale værdi (triax vector sum) i henhold til EN 60745:

Skæring i træ (a_v) 11,00 m/s², usikkerhed (K) 2,6 m/s²

Skæring i metal (a_v) 13,96 m/s², usikkerhed (K) 5,6 m/s²

EU overensstemmelseserklæring

MASKINDIREKTIV



KS2005E

Black & Decker erklærer, at disse produkter, beskrevet under "tekniske data", overholder følgende: 2006/42/EF, EN 60745-1, EN 60745-2-11

For mere information, kontakt venligst Black & Decker på følgende adresse eller på adressen bagerst i brugsanvisningen.

Undertegnede er ansvarlig for kompilering af den tekniske fil og laver denne deklaration på vegne af Black & Decker.

Kevin Hewitt

Vice-President Global Engineering
Black & Decker Europe, 210 Bath Road, Slough,
Berkshire, SL1 3YD
Storbritannien
18/02/2010

Reserve dele / reparationer

Reserve dele kan købes hos autoriserede Black & Decker serviceværksteder, som giver forslag til omkostninger og reparerer vore produkter. Oversigt over vore autoriserede værksteder findes på internettet på vor hjemmeside www.blackanddecker.dk samt www.2helpU.com

Garanti

Black & Decker garanterer, at produktet er fri for materielle skader og/eller fabrikationsfejl ved levering til kunden.

Garantien er et tillæg til konsumentens lovlige rettigheder og påvirker ikke disse. Garantien gælder indenfor medlemsstaterne af den Europæiske Union og i det Europæiske Frihandelsområde.

Hvis et Black & Decker produkt går i stykker på grund af materiel skade og/eller fabrikationsfejl eller på anden måde ikke fungerer i overensstemmelse med specifikationen, inden for 24 måneder fra købsdatoen, påtager Black & Decker sig at reparere eller ombytte produktet med mindst muligt besvær for kunden.

Garantien gælder ikke for fejl og mangler, der er sket i forbindelse med:

- ◆ normal slitage
- ◆ uheldige følger efter unormal anvendelse af værktøjet
- ◆ overbelastning, hærværk eller overdrevent intensivt brug af værktøjet
- ◆ ulykkehændelse

Garantien gælder ikke hvis reparationer er udført af nogen anden end et autoriseret Black & Decker værksted.

For at udnytte garantien skal produktet og købskvitteringen indleveres til forhandleren eller til et autoriseret værksted, senest 2 måneder efter at fejlen opdages. For information om nærmeste autoriserede værksted: kontakt det lokale Black & Decker kontor på den adresse som er opgivet i brugsanvisningen. Liste over alle autoriserede Black & Decker serviceværksteder samt servicevilkår er tilgængelig på internettet, på adressen www.2helpU.com

Gå venligst ind på vores website www.blackanddecker.dk for at registrere dit nye produkt og for at blive holdt ajour om nye produkter og specialtilbud. Der findes yderligere oplysninger om mærket Black & Decker og vores produktsortiment på adressen www.blackanddecker.dk

Käyttötarkoitus

Black & Deckerin pistosaha on suunniteltu puun, muovin ja metallin sahaamiseen. Kone on tarkoitettu kotikäyttöön.

Turvaohjeet

Yleiset sähkötyökalujen turvallisuusohjeet



Varoitus! Kaikki ohjeet täytyy lukea. Alla olevien ohjeiden noudattamisen laiminlyönti saattaa johtaa sähköiskuun, tulipaloon ja/tai vakavaan loukkaantumiseen.

Säilytä nämä ohjeet hyvin. Seuraavassa käytetty käsite "sähkötyökalu" käsittää verkkokäyttöiset sähkötyökalut (verkkojohdolla) ja paristokäyttöiset sähkötyökalut (ilman verkkojohdot).

1. Työpisteen turvallisuus
 - a. Pidä työskentelyalue puhtaana ja hyvin valaistuna. Epäjärjestyksessä olevilla ja valaisemattomilla työalueilla voi tapahtua tapaturmia.
 - b. Älä työskentele sähkötyökalulla räjähdysalttiissa ympäristössä, jossa on palavaa nestettä, kaasua tai pölyä. Sähkötyökalu muodostaa kipinöitä, jotka saattavat sytyttää pölyn tai höyryä.
 - c. Pidä lapset ja sivulliset loitolla sähkötyökalua käyttäessäsi. Voit menettää laitteesi hallinnan huomiosi suuntautuessa muualle.
2. Sähköturvallisuus
 - a. Sähkötyökalun pistotulpan tulee sopia pistorasiaan. Pistotulppaa ei saa muuttaa millään tavalla. Älä käytä minkäänlaisia sovittipistokkeita maadoitettujen sähkötyökalujen kanssa. Alkuperäisessä tilassa olevat pistotulpat ja sopivat pistorasiat vähentävät sähköiskun vaaraa.
 - b. Vältä koskettamasta maadoitettuja pintoja, kuten putkia, pattereita, liesiä tai jääkaappeja. Sähköiskun vaara kasvaa, jos kehosi on maadoitettu.
 - c. Älä altista sähkötyökalua sateelle tai kosteudelle. Veden tunkeutuminen sähkötyökalun sisään kasvattaa sähköiskun riskiä.
 - d. Älä käytä verkkojohtoa väärin. Älä käytä sitä sähkötyökalun kantamiseen, vetämiseen tai pistotulpan irrottamiseen pistorasiasta. Pidä johto loitolla kuumuudesta, öljystä, terävistä reunoista ja liikkuvista osista. Vahingoittuneet tai sokeutuneet johdot kasvattavat sähköiskun vaaraa.
 - e. Käyttäessäsi sähkötyökalua ulkona, käytä ainoastaan ulkokäyttöön soveltuvaa jatkojohtoa. Ulkokäyttöön soveltuvan jatkojohdon käyttö pienentää sähköiskun vaaraa.
3. Henkilöturvallisuus
 - a. Ole valpas, kiinnitä huomiota työskentelyysi ja noudata tervettä järkeä sähkötyökalua käyttäessäsi. Älä käytä sähkötyökalua, jos olet väsynyt tai huumeiden, alkoholin tai lääkkeiden vaikutuksen alaisena. Helken tarkkaamattomuus sähkötyökalua käytettäessä saattaa johtaa vakavaan loukkaantumiseen.
 - b. Käytä suojavarusteita. Käytä aina suojalaseja. Suojavarusteet, kuten pölynsuojanaamari, luistamattomat turvajalkineet, kypärä ja kuulosuojaimet pienentävät, tilanteen mukaan oikein käytettyinä, loukkaantumisriskiä.
 - c. Vältä sähkötyökalun tahatonta käynnistämistä. Varmista, että käynnistyskytkin on asennossa "off", ennen kuin kytket pistotulpan pistorasiaan tai kannat sähkötyökalua. Jos kannat sähkötyökalua sormi käynnistyskytkimellä tai kytket sähkötyökalun pistotulpan pistorasiaan, käynnistyskytkimen ollessa käyntiasennossa, altistat itsesi onnettomuuksille.
 - d. Poista kaikki säätötyökalut ja ruuvitaltat, ennen kuin käynnistät sähkötyökalun. Laitteen pyöriivään osaan jäänyt työkalu tai avain saattaa johtaa loukkaantumiseen.
 - e. Älä kurkota. Seiso aina tukevasti ja tasapainossa. Täten voit paremmin hallita sähkötyökalua odottamattomissa tilanteissa.
 - f. Käytä tarkoitukseen soveltuvia vaatteita. Älä käytä löysiä työvaatteita tai koruja. Pidä hiukset, vaatteet ja käsineet loitolla liikkuvista osista. Väljät vaatteet, korut ja pitkät hiukset voivat takertua liikkuviin osiin.
 - g. Jos polynimu- ja keräilylaitteita voidaan asentaa työkaluun, sinun pitää tarkistaa, että ne on liitetty ja että niitä käytetään oikealla tavalla. Näiden laitteiden käyttö vähentää pölyn aiheuttamia vaaroja.
4. Sähkötyökalujen käyttö ja hoito
 - a. Älä ylikuormita sähkötyökalua. Käytä kyseiseen työhön tarkoitettua sähkötyökalua. Sopivaa sähkötyökalua käyttäen työskentelet paremmin ja varmemmin tehoalueella, jolle sähkötyökalu on tarkoitettu.
 - b. Älä käytä sähkötyökalua, jota ei voida käynnistää ja pysäyttää virtakytkimestä. Sähkötyökalu, jota ei enää voida käynnistää ja pysäyttää käynnistyskytkimellä, on vaarallinen ja se täytyy korjata.
 - c. Irrota pistotulppa pistorasiasta, ennen kuin suoritat säätöjä, vaihdat tarvikkeita tai siirät sähkötyökalun varastoitavaksi. Nämä turvatoimenpiteet laskevat sähkötyökalun tahatonta käynnistysriskiä.
 - d. Säilytä sähkötyökalut poissa lasten ulottuvilta, kun niitä ei käytetä. Älä anna sellaisten henkilöiden
- f. Jos sähkötyökalua joudutaan käyttämään kosteassa ympäristössä, käytä aina jäännösvirtalaitteella (RCD) suojattua virtälähdettä. Jäännösvirtalaitteen käyttö vähentää sähköiskun vaaraa.

- käyttää sähkötyökalua, jotka eivät tunne sitä tai jotka eivät ole lukeneet tätä käyttöohjetta. Sähkötyökalut ovat vaarallisia, jos niitä käyttävät kokemattomat henkilöt.
- e. Hoida sähkötyökalusi huolella. Tarkista, että liikkuvat osat toimivat moitteettomasti, eivätkä ole puristuksessa ja että työkalussa ei ole murtuneita tai vahingoittuneita osia, jotka saattaisivat vaikuttaa haitallisesti sen toimintaan. Korjauta mahdolliset viat ennen käyttöönottoa. Moni tapaturma aiheutuu huonosti huolletuista laitteista.
- f. Pidä leikkausterät terävinä ja puhtaina. Huolellisesti hoidetut leikkaustyökalut, joiden terät ovat teräviä, eivät tartu helposti kiinni ja niitä on helpompi hallita.
- g. Käytä sähkötyökaluja, tarvikkeita, vaihtotyökaluja jne. näiden ohjeiden mukaisesti. Ota tällöin huomioon työolosuhteet ja suoritettava toimenpide. Sähkötyökalun käyttö muuhun kuin tarkoituksenmukaiseen käyttöön saattaa johtaa vaarallisiin tilanteisiin.
5. Huolto
- a. Anna koulutettujen ammattitaitoisten henkilöiden korjata sähkötyökalusi ja hyväksy korjauksiin vain alkuperäisiä varaosia. Täten varmistat, että sähkötyökalu säilyy turvallisena.

Sähkötyökalujen lisäturvallisuusohjeet



Varoitus! Lisäturvallisuusohjeet lehtisahoille ja kehysahoille

- ◆ Pitele työkalua sen eristetyistä kosketuspinnosta silloin, kun leikkausväline voi päästä kosketuksiin piilossa oleviin johtoihin tai sen omaan johtoon. Jännitteeseen johtimeen koskettava leikkaustarvike saattaa tehdä työkalun paljaista metalliosista jännitteisiä ja aiheuttaa sähköiskun käyttäjälle.
- ◆ Käytä ruuvipuristimia tai vastaavaa keinoa, jolla saat kiinnitettyä ja tuettua työkappaleen tukevalle alustalle. Työkappaleen kannatteleminen käsin tai tukeminen kehoa vasten voi johtaa kappaleen irtoamiseen ja vaaratilanteen syntymiseen.
- ◆ Pidä kädet pois leikkausalueelta. Älä koskaan aseta mitään ruumiinosaa työstökappaleen alapuolelle. Älä aseta sormia tai peukaloa kehysahon terään tai terän kiinnittimeen. Älä vakauta sahaa tarttumalla kiinni kenkään.
- ◆ Pidä terät terävinä. Tylsät tai vaurioituneet terät voivat johtaa sahan heittelehtimiseen tai pysähtymiseen paineenalaisena. Käytä aina sahanterää, joka sopii työstettävään materiaaliin sekä haluttuun sahausjälkeen.
- ◆ Putkea tai kanavaa sahatesassa on varmistettava, että niissä ei ole vettä, sähköjohdotusta jne.
- ◆ Älä koske työstökappaleeseen tai terään heti sen käytön jälkeen. Ne voivat kuumentua.

- ◆ Varo näkymättömiä vaaroja: ennen seinien, lattioiden tai kattojen leikkaamista tarkista sähköjohtojen ja putkistojen sijainnit.
 - ◆ Terä jatkaa liikkumista kytkimen vapautuksen jälkeen. Pysäyttäessäsi koneen odota, että terän liike on kokonaan pysähtynyt ennen kuin lasket koneen käsistäsi.
- Varoitus!** Työstä syntyvä pöly voi aiheuttaa terveyshaittoja käyttäjälle ja mahdollisille sivullisille. Käytä erityismuotoilua, pölyltä ja höyryiltä suojaavaa kasvosuojusta. Varmista, että sekä työalueella olevat että sen läheisyyteen saapuvat ihmiset käyttävät suojusta.
- ◆ Henkilöt (lapset mukaan lukien), joilla on fyysisiä, tunnollisia tai henkisiä rajoituksia tai rajallinen kokemus ja tuntemus, eivät saa käyttää tätä laitetta ellei heidän turvallisuudesta vastaava henkilö valvo tai ohjaa heitä laitteen käytössä. Lapsia on valvottava, etteivät he leiki koneen kanssa.
 - ◆ Käyttö, johon työkalu on tarkoitettu, on kuvattu tässä käyttöohjeessa. Käytä vain käyttöohjeessa ja tuotekuvastossa suositeltuja tarvikkeita ja lisälaitteita. Ohjeesta poikkeava käyttö voi aiheuttaa onnettomuuden ja/tai aineellisia vahinkoja.

Muiden turvallisuus

- ◆ Henkilöt (lapset mukaan lukien), joilla on fyysisiä, tunnollisia tai henkisiä rajoituksia tai rajallinen kokemus ja tuntemus, eivät saa käyttää tätä laitetta ellei heidän turvallisuudesta vastaava henkilö valvo tai ohjaa heitä laitteen käytössä.
- ◆ Lapsia on valvottava, etteivät he leiki koneen kanssa.

Jäännösriskit.

Jäännösriskit ovat mahdollisia, jos käytät työkalua muulla kuin turvavaroituksissa mainitulla tavalla. Nämä riskit voivat liittyä muun muassa virheelliseen tai pitkäaikaiseen käyttöön. Tiettyjä jäännösriskejä ei voi välttää, vaikka noudatat kaikkia turvamaaräyksiä ja käytät turvalaitteita. Näihin kuuluvat muun muassa:

- ◆ pyörivien tai liikkuvien osien koskettamisen aiheuttamat vahingot.
- ◆ osia, teriä tai lisävarusteita vaihdettaessa aiheutuneet vahingot.
- ◆ työkalun pitkäaikaisen käytön aiheuttamat vahingot Kun käytät työkalua pitkään, varmista, että pidät säännöllisesti taukoja.
- ◆ kuulovauriot.
- ◆ työkalua käytettäessä (esimerkiksi puuta, erityisesti tammea, pöykkiä ja MDF-levyjä, käsiteltäessä) syntyneen pölyn sisäänhengityksen aiheuttamat terveysriskit.

Tärinä

Käyttöohjeen teknisissä tiedoissa ja vaatimustenmukaisuusvaikutuksessa ilmoitetut tärinän päästöarvot on mitattu EN 60745-normin vakioiden testimenetelmän mukaisesti ja niitä voidaan käyttää työkalun vertaamisessa toiseen. Ilmoitettua tärinän päästöarvoa voidaan myös käyttää allistumisen arviointiin ennakolta.

Varoitus! Sähkötyökalun tärinän päästöarvo voi varsinaisen käytön aikana poiketa ilmoitetusta arvosta riippuen siitä, millä tavalla työkalua käytetään. Tärinän taso voi kohota ilmoitetun tason yläpuolelle.

Kun tärinälle allistumista arvioidaan, jotta voidaan määrittää 2002/44/EY-direktiivin edellyttämät turvatoimenpiteet säännöllisesti sähkötyökaluja työssä käyttävien henkilöiden suojelemiseksi, tärinälle allistumisen arvion tulee ottaa huomioon varsinaiset käyttöolosuhteet ja työkalun käyttötavan, johon sisältyy kaikkien käyttöjakson osien huomioon ottaminen, kuten ajat, jolloin työkalu on pois päältä tai kun se käy joutokäyntiä sekä käynnistysajan.

Koneessa olevat merkit

Koneessa on seuraavat kuvakemerkinnät:



Varoitus! Loukkaantumisen vaaran ehkäisemiseksi käyttäjän on luettava käyttöohjeet.

Sähköturvallisuus



Tämä laite on kaksoiseristetty; siksi erillistä maadoitusta ei tarvita. Tarkista aina, että virtalähde vastaa arvokilvessä ilmoitettua jännitettä.

- ◆ Jos sähköjohto on vaurioitunut, se saadaan vaihtaa vain valtuutetussa Black & Deckerin huoltoliikkeessä vaaratilanteiden välttämiseksi.

Ominaisuudet

Tällä koneella on kaikki tai joitakin seuraavista ominaisuuksista.

1. Virrankatkaisija
2. Lukitusnappi
3. Portaattoman nopeuden valitsin
4. Asennon valitsin
5. Sahanterän lukitusvipu
6. Sahanterän pidike
7. Sahausjalka
8. Sahausjalan lukitusnappi
9. Sahausnappi
10. Sahanterän säilytyslokero

Kokoaminen

Varoitus! Ennen kokoamista varmista, että kone on pois päältä eikä sitä ole liitetty virtalähteeseen.

Sahanterän asentaminen (kuva A)

- ◆ Pitele sahanterää (11) kuvan osoittamalla tavalla siten, että terän hampaat ovat eteenpäin.
- ◆ Paina vipua (5) alaspäin.
- ◆ Työnnä sahanterän varsi teränpitimeen (6) niin pitkälle kuin se menee.
- ◆ Päästä irti vivusta.
- ◆ Säädä terän tukirullaa alla kuvatulla tavalla.

Terän tukirullan säätäminen (kuva A & B)

Terän tukirulla (12) on säädettävä terän asentamisen jälkeen.

- ◆ Käännä terän tuen säätöruuvia (13) vastapäivään.
- ◆ Liu'uta terän tukirulla terän takaosaa vasten. Terän on oltava rullan keskellä olevassa syvennyksessä.
- ◆ Käännä terän säätöruuvia vastapäivään niin, että terän tuki lukittuu paikalleen.

Teollisuuspölynimurin kytkeminen työkaluun (kuva C & D)

- ◆ Kohdistä pölynpoistoliitin (14) sahausjalan kanssa kuvan osoittamalla tavalla.
- ◆ Työnnä ulokkeet (15) uriin (16).
- ◆ Paina sovitinta taaksepäin niin, että se lukittuu oikeaan asentoonsa.
- ◆ Kytke pölynimurin letku (17) (ei mukana) sovittimeen. Pölynpoisto ei ole mahdollista kulmasahauksen yhteydessä.

Varoitus! Älä käytä pölynpoistosovitinta, kun sahaat metallia.

Käyttö

Varoitus! Anna koneen käydä omaan tahtiinsa.

Älä ylikuormita sitä.

Varoitus! Älä koskaan käytä työkalua, kun sahausjalka on loysällä tai irrotettuna.

Sahausjalan säätäminen kulmasahaukseen (kuva E)

Sahausjalkaa voidaan säätää oikealle tai vasemmalle enintään 45°:n kulmaan.

- ◆ Käännä lukitusnuppia (8) suuntaan A, kun haluat vapauttaa sahausjalan (7).
- ◆ Vedä sahausjalkaa (7) taaksepäin ja aseta se haluttuun kulmaan. Voit tarkistaa kulman astelevyn avulla.
- ◆ Käännä lukitusnuppia (8) suuntaan B, kun haluat kiinnittää sahausjalan paikalleen.

Sahausjalan palauttaminen suoraan sahausasentoon:

- ◆ Käännä lukitusnuppia (8) suuntaan A, kun haluat vapauttaa sahausjalan (7).

- ◆ Vedä sahausjalkaa taaksepäin ja aseta se noin 0°:n kulmaan.
- ◆ Työnnä sahausjalkaa eteenpäin.
- ◆ Käännä lukitusnuppia (8) suuntaan B, kun haluat kiinnittää sahausjalan paikalleen. Varmista, että ohjainlukokset tukevat sahausjalkaa.

Käyttötilan valitseminen (kuva F)

Suoran sahausksen tilassa sahanterä voidaan asettaa ja lukita 4 eri asentoon: eteen, taakse, vasemmalle tai oikealle.

- ◆ Käännä toimintotilan valitsin (4) asentoon A (sahaustila).
- ◆ Käännä sahanterä vaadittuun suuntaan käyttämällä sahausnuppia (9).
- ◆ Käännä toimintotilan valitsin (4) asentoon B (suoran sahausksen tila). Tässä asennossa sahausnuppia ei voida kiertää. Sahanterä on lukittuna asentoonsa.

Kuviosahaustila

Kuviosahaustilassa sahanterää voidaan kiertää tarkkaa sahausta varten. Tässä tilassa on suositeltavaa käyttää kuviosahaamiseen sopivia teriä.

- ◆ Käännä toimintotilan valitsin (4) asentoon A (sahaustila). Tässä tilassa sahanterässä ei ole edestakaista liikettä.

Edestakaisen toiminnan tila

Edestakaisen toiminnan tilassa sahanterä lukitaan sahaamaan nopeasti eteenpäin.

- ◆ Käännä toimintotilan valitsin (4) asentoon A (sahaustila).
- ◆ Käännä sahanterä eteen-suuntaan käyttämällä sahausnuppia (9).
- ◆ Käännä toimintotilan valitsin (4) asentoon C (edestakaisen toiminnan tila). Tässä asennossa sahausnuppia ei voida kiertää. Sahanterä on lukittuna asentoonsa.

Portaaton nopeus

- ◆ Valitse haluttu nopeus portaattoman nopeuden valitsimella (3). Käytä suurta nopeutta sahatessasi puuta, keskinopeutta sahatessasi alumiinia ja muovia ja pientä nopeutta sahatessasi muita metalleja kuin alumiinia.

Käynnistys ja pysäytys

- ◆ Käynnistä kone painamalla virrankatkaisijaa (1).
- ◆ Lukitaksesi virrankatkaisijan jatkuva toimintaa varten paina lukitusnuppia (2) ja päästä irti virrankatkaisijasta.
- ◆ Kytke kone pois päältä päästämällä virtakytkin (1) irti. Sammuttaaksesi koneen, jossa on virrankatkaisijan lukitsin päällä, paina virrankatkaisijaa vielä kerran ja päästä siitä irti.

SightLine™-ominaisuuden käyttö (kuva G)

- ◆ Merkitse sahauslinja lyijykynällä.
- ◆ Aseta kuviosaha viivan (18) päälle.

Sahausviivaa voidaan seurata helposti katsomalla suoraan sahan yläpuolelta. Jos tästä suunnasta ei voi katsoa, syvennystä (19) voi käyttää vaihtoehtoisena sahausohjaimena.

Vinkkejä parhaimman tuloksen saamiseksi

Laminaattien sahaaminen

Kun sahanterä liikkuu ylöspäin, se voi repiä materiaalia sahausjalan läheltä.

- ◆ Käytä hienohampaista sahanterää.
- ◆ Saha työstökappaleen taustapuolelta.
- ◆ Materiaalin repeily voidaan välttää kiinnittämällä puukappale tai vastaava työstökappaleen molemmiin puoliin ja sahaamalla sitten tämän "kokoonpanon" läpi.

Kuviosahaus

- ◆ Käytä puun kuviosahaamiseen sopivaa sahanterää.
- ◆ Pidä työkalua yhdellä kädellä ja liikuta sitä rauhallisesti ja tasaisesti leikkauslinjaa pitkin käyttäen samalla sahausnuppia.

Metallin sahaaminen

- ◆ Muista, että metallin sahaaminen kestää huomattavasti kauemmin kuin puun sahaaminen.
- ◆ Käytä metallin sahaamiseen sopivaa sahanterää.
- ◆ Kun sahaat ohutta metallilevyä, kiinnitä levy taustapuolelle puukappale. Saha sitten tämän "kokoonpanon" läpi.
- ◆ Levitä ohut öljykerros sahauslinjalle.

Tarvikkeet

Koneen käyttöalue riippuu käytettävästä tarvikkeesta. Black & Decker- ja Piranha -tarvikkeet ovat korkealaatuisia. Käyttämällä näitä tarvikkeita saat koneestasi irti parhaan mahdollisen.

Tämä työkalu sopii käytettäväksi U- ja T-vartisten sahanterien kanssa.

Huolto

Jiirisaha on suunniteltu toimimaan mahdollisimman pitkään mahdollisimman vähällä huollolla. Asianmukainen käyttö ja säännönmukainen puhdistus takaavat laitteen jatkuvan tyydyttävän toiminnan.

Varoitus! Ennen huoltoa ja puhdistusta tulee koneen olla pois päältä ja irti virtalähteestä.

- ◆ Puhdista työkalun ilma-aukot säännöllisesti pehmeällä harjalla tai kuivalla rievulla.
- ◆ Puhdista laitteen kuori säännöllisesti kostealla siivousliinalla. Älä koskaan käytä puhdistamiseen liuotainaineita tai syövyttäviä puhdistusaineita.

- ◆ Levitä terän tukirullan akseliin ajoittain tippa öljyä.

Ympäristö



Erillinen keräys. Tätä tuotetta ei saa hävittää normaalin kotitalousjätteen kanssa.

Kun Black & Decker -koneesi on käytetty loppuun, älä hävitä sitä kotitalousjätteen mukana. Tämä tuote on kerättävä erikseen.



Käytettyjen tuotteiden ja pakkausten erillinen keräys mahdollistaa materiaalin kierrätyksen ja uudelleenkäytön. Kierrätettyjen materiaalien uudelleenkäyttö auttaa ehkäisemään ympäristön saastumisen ja vähentää raaka-aineiden kysyntää.

Paikallisten säännösten mukaisesti on mahdollista viedä kotitalouksien sähkölaitteet kuntien kaatopaikoille tai jättää ne vähittäismyyjälle ostettaessa uusi tuote.

Black & Decker tarjoaa mahdollisuuden Black & Decker -tuotteiden keräykseen ja kierrätykseen sen jälkeen, kun ne on poistettu käytöstä. Jotta voisit hyötyä tästä palvelusta, palauta laitteesi johonkin valtuutettuun huoltoliikkeeseen, joka kerää laitteet meidän puolestamme.

Voit tarkistaa lähimmän valtuutetun huoltoliikkeen sijainnin ottamalla yhteyden Black & Deckerin toimistoon, joka sijaitsee tässä käsikirjassa annetussa osoitteessa. Lista valtuutetuista Black & Decker -huoltoliikkeistä sekä yksityiskohtaiset tiedot korjauspalvelustamme ovat vaihtoehtoisesti saatavilla Internetissä, osoitteessa www.2helpU.com

Tekniset tiedot

	KS2005E Typ.1
Jännite	V _{AC} 230
Ottoteho	W 600
Iskuliikkeitä (kuormittamaton)	min ⁻¹ 800 - 3.200
Suurin sahausvyvyys	
Puu	mm 65
Teräs	mm 4
Alumiini	mm 10
Paino	kg 2,8

Äänenpainetaso mitattu EN 60745:n mukaisesti:

Äänenpaine (L_{pA}) 92 dB(A), epävarmuus (K) 3 dB(A)

Akustinen teho (L_{WA}) 103 dB(A), epävarmuus (K) 3 dB(A)

Tärinän kokonaisarvot (kolmiaks. vektorisumma) on määritetty seuraavan mukaisesti: EN 60745

Puun sahaus (a_h) 11,00 m/s², epävarmuus (K) 2,6 m/s²

Metallin sahaus (a_h) 13,96 m/s², epävarmuus (K) 5,6 m/s²

EU-vaatimustenmukaisuusvakuutus

KONEDIREKTIIVI



Balck & Decker julistaa, että kohdassa "tekniset tiedot" kuvatut tuotteet noudattavat seuraavia:
2006/42/EY, EN 60745-1, EN 60745-2-11

Lisätietoja saa Black & Decker -yhtiöltä seuraavasta osoitteesta tai käyttöoppaan takana olevia yhteistietoja käyttäen.

Allekirjoittava henkilö on vastuussa teknisen tiedoston täyttämisestä ja tekee tämän ilmoituksen Black & Decker -yhtiön puolesta.

Kevin Hewitt

Vice-President Global Engineering

Black & Decker Europe, 210 Bath Road, Slough,

Berkshire, SL1 3YD

Iso-Britannia

18/02/2010

Korjaukset / varaosat

Mikäli koneeseen tulee vikaa, jätä se aina Black & Deckerin valtuuttamaan huoltoliikkeeseen korjattavaksi.

Varaosia myyvät valtuutetut Black & Deckerin huoltoliikkeet, ja heiltä voi myös pyytää kustannusarvion koneen korjauksesta.

Tiedot valtuutetuista huoltoliikkeistä löytyvät internetistä osoitteesta www.2helpU.com sekä kotisivuiltamme

www.blackanddecker.fi

Takuu

Black & Decker Oy takaa, ettei koneessa ollut materiaali- ja/tai valmistusvikaa silloin, kun se toimitettiin ostajalle. Takuu on lisäys kuluttajan laillisiin oikeuksiin eikä vaikuta niihin. Takuu on voimassa Euroopan Unionin jäsenmaissa ja Euroopan vapaakauppa-alueella (EFTA).

Mikäli Black & Decker -kone hajoaa materiaali- ja/tai valmistusvirheen tai teknisten tietojen epätarkkuuden vuoksi 24 kk:n kuluessa ostopäivästä, Black & Decker korjaa koneen ilman kustannuksia ostajalle tai vaihtaa sen uuteen Black & Decker Oy:n valinnan mukaan.

Takuu ei kata vikoja, jotka johtuvat koneen

- ◆ normaalista kulumisesta
- ◆ ylikuormituksesta, virheellisestä käytöstä tai hoidosta
- ◆ vahingoittamisesta vieraalla esineellä tai aineella tai onnettomuustapauksessa.

Takuu ei ole voimassa, mikäli konetta on korjannut joku muu kuin Black & Deckerin valtuuttama huoltoliike.

Edellytyksenä takuun saamiselle on, että ostaja jättää koneen ja ostokuitin jälleenmyyjälle tai valtuutetulle huoltoliikkeelle viimeistään 2 kuukauden kuluessa vian ilmenemisestä.

Tiedot valtuutetuista huoltoliikkeistä saa ottamalla yhteyttä Black & Decker Oy:hyn sekä internetistä osoitteesta www.2helpU.com, jossa on myös takuehdot.

Voit vieraila verkkosivuiltamme www.blackanddecker.fi rekisteröidäksesi uuden Black & Decker-tuotteesi ja saadaksesi tietoa uusista tuotteista ja erikoistarjouksista. Saat lisätietoja Black & Deckerin tavaramerkistä ja tuotevalikoimastamme osoitteesta www.blackanddecker.fi

Ενδεδειγμένη χρήση

Η σέγα της Black & Decker έχει σχεδιαστεί για πριόνισμα ξύλου, πλαστικών και λαμαρίνας. Αυτό το εργαλείο προορίζεται μόνο για ερασιτεχνική χρήση.

Οδηγίες ασφαλείας

Γενικές προειδοποιήσεις ασφαλείας για ηλεκτρικά εργαλεία



Προσοχή! Διαβάστε όλες τις προειδοποιήσεις ασφαλείας και όλες τις οδηγίες. Η μη τήρηση των παρακάτω προειδοποιήσεων και οδηγιών μπορεί να προκαλέσει ηλεκτροπληξία, πυρκαγιά ή/και σοβαρούς τραυματισμούς.

Αποθηκεύστε όλες τις προειδοποιήσεις και οδηγίες για μελλοντική αναφορά. Ο χαρακτηρισμός "ηλεκτρικό εργαλείο" που χρησιμοποιείται στις παρακάτω προειδοποιητικές υποδείξεις αφορά ή το εργαλείο που συνδέεται στην πρίζα (με καλώδιο) ή το εργαλείο που λειτουργεί με μπαταρία (χωρίς καλώδιο).

1. Ασφάλεια χώρου εργασίας

- a. **Διατηρείτε το χώρο που εργάζεστε καθαρό και καλά φωτισμένο.** Η αταξία στο χώρο που εργάζεστε και τα σημεία χωρίς καλό φωτισμό μπορεί να οδηγήσουν σε ατυχήματα.
- b. **Μη χρησιμοποιείτε τα ηλεκτρικά εργαλεία σε περιβάλλον όπου υπάρχει κίνδυνος έκρηξης, π.χ. παρουσία εύφλεκτων υγρών, αερίων ή σκόνης.** Τα ηλεκτρικά εργαλεία μπορεί να δημιουργήσουν σπινθηρισμό ο οποίος μπορεί να αναφλέξει τη σκόνη ή τις αναθυμιάσεις.
- c. **Όταν χρησιμοποιείτε το ηλεκτρικό εργαλείο, κρατάτε τα παιδιά και τα υπόλοιπα άτομα μακριά από το χώρο που εργάζεστε.** Σε περίπτωση που άλλα άτομα αποσπάσουν την προσοχή σας μπορεί να χάσετε τον έλεγχο του μηχανήματος.

2. Ασφαλής χρήση του ηλεκτρικού ρεύματος

- a. **Το φως του καλώδιου του ηλεκτρικού εργαλείου πρέπει να ταιριάζει στην αντίστοιχη πρίζα.**
Δεν επιτρέπεται με κανένα τρόπο η μετασκευή του φως. Μη χρησιμοποιείτε προσαρμοστικά φως στα γειωμένα ηλεκτρικά εργαλεία. Τα φως που δεν έχουν υποστεί τροποποιήσεις και οι κατάλληλες πρίζες μειώνουν τον κίνδυνο ηλεκτροπληξίας.
- b. **Αποφεύγετε την επαφή του σώματός σας με γειωμένες επιφάνειες όπως σωλήνες, θερμαντικά σώματα (καλοριφέρ), κουζίνες και ψυγεία.** Όταν το σώμα σας είναι γειωμένο, αυξάνεται ο κίνδυνος ηλεκτροπληξίας.
- c. **Μην εκθέτετε το ηλεκτρικό εργαλείο στη βροχή ή την υγρασία.** Η διείσδυση νερού στο ηλεκτρικό εργαλείο

αυξάνει τον κίνδυνο ηλεκτροπληξίας.

- d. **Μην κακομεταχειρίζεστε το καλώδιο. Μη χρησιμοποιήσετε ποτέ το καλώδιο για να μεταφέρετε, να τραβήξετε ή να αποσυνδέσετε το εργαλείο από την πρίζα.** Κρατάτε το καλώδιο μακριά από υψηλές θερμοκρασίες, λάδια, κοφτερές ακμές η κινούμενα εξαρτήματα. Τυχόν χαλασμένα ή μπερδεμένα καλώδια αυξάνουν τον κίνδυνο ηλεκτροπληξίας.
 - e. **Όταν χρησιμοποιείτε το ηλεκτρικό εργαλείο σε εξωτερικούς χώρους, να χρησιμοποιείτε πάντοτε προεκτάσεις (μπαταντζές) που έχουν εγκριθεί για χρήση σε εξωτερικούς χώρους.** Η χρήση προεκτάσεων εγκεκριμένων για εργασία σε εξωτερικούς χώρους μειώνει τον κίνδυνο ηλεκτροπληξίας.
 - f. **Αν η χρήση του εργαλείου σε μια βρεγμένη περιοχή δεν είναι απόφευκτη, χρησιμοποιήστε μια συσκευή κατάλοιπου ρεύματος (RCD) προστατευόμενης παροχής.** Η χρήση μιας RCD μειώνει τον κίνδυνο ηλεκτροπληξίας.
- ### 3. Ασφάλεια προσώπων
- a. **Όταν χρησιμοποιείτε το ηλεκτρικό εργαλείο, να είστε προσεκτικοί, να δίνετε προσοχή στην εργασία που κάνετε και να επιστρατεύετε την κοινή λογική.** Μη χρησιμοποιείτε το ηλεκτρικό εργαλείο όταν είστε κουρασμένοι ή όταν βρίσκεστε υπό την επήρεια ναρκωτικών, οινοπνεύματος ή φαρμάκων. Μια στιγμιαία απροσεξία κατά το χειρισμό του ηλεκτρικού εργαλείου μπορεί να οδηγήσει σε σοβαρούς τραυματισμούς.
 - b. **Χρησιμοποιήστε προσωπικό εξοπλισμό τραυματισμού. Να φοράτε πάντα προστατευτικά γυαλιά.** Ο προστατευτικός εξοπλισμός όπως μύσκα σκόνης, υποδήματα ασφαλείας κατά το γλιστρήμα, σκληρό καπέλο, ή προστασία ακοής για τις κατάλληλες συνθήκες θα μειώσουν τους σωματικούς τραυματισμούς.
 - c. **Να αποφύγετε την εκκίνηση κατά λάθος. Επιβεβαιωθείτε ότι ο διακόπτης είναι στην θέση off πριν συνδέσετε την παροχή ρεύματος και/ή τη μπαταρία, πριν πάστε ή μεταφέρετε το εργαλείο.** Η μεταφορά εργαλείων με το δάχτυλο στον διακόπτη ή η ενεργοποίηση εργαλείων με τον διακόπτη στη θέση on μπορεί να οδηγήσει σε ατυχήματα.
 - d. **Πριν θέσετε το ηλεκτρικό εργαλείο σε λειτουργία, αφαιρέστε τυχόν εργαλεία ή κλειδιά ρύθμισης.** Ένα εργαλείο ή κλειδί συναρμολογημένο στο περιστρεφόμενο εξάρτημα ενός ηλεκτρικού εργαλείου μπορεί να προκαλέσει τραυματισμούς.
 - e. **Μην τεντώνεστε. Φροντίστε πάντοτε να έχετε την κατάλληλη στάση και να διατηρείτε την ισορροπία σας.** Αυτό σας επιτρέπει τον καλύτερο έλεγχο του ηλεκτρικού εργαλείου σε περιπτώσεις απροσδόκτων καταστάσεων.
 - f. **Φοράτε κατάλληλη ενδυμασία εργασίας. Μη φοράτε**

φαρδιά ρούχα ή κοσμήματα. Κρατάτε τα μαλλιά, τα ενδύματα και τα γάντια σας μακριά από τα κινούμενα εξαρτήματα. Τα φαρδιά ρούχα, τα κοσμήματα και τα μακριά μαλλιά μπορεί να εμπλακούν στα κινούμενα εξαρτήματα.

- g. Αν προβλέπονται διατάξεις απαγωγής και συλλογής της σκόνης, βεβαιωθείτε ότι είναι συνδεδεμένες και ότι χρησιμοποιούνται σωστά. Η χρήση της συλλογής της σκόνης μπορεί να μειώσει τους κινδύνους σχετικά με τη σκόνη.
4. Χρήση και συντήρηση του ηλεκτρικού εργαλείου
- a. Μην υπερφορτώνετε το ηλεκτρικό εργαλείο. Χρησιμοποιείτε για την εκάστοτε εργασία σας το ηλεκτρικό εργαλείο που προορίζεται γι' αυτήν. Με το κατάλληλο ηλεκτρικό εργαλείο εργάζεστε καλύτερα και ασφαλέστερα στην ονομαστική περιοχή ισχύος του.
- b. Μη χρησιμοποιήσετε ποτέ ένα ηλεκτρικό εργαλείο του οποίου ο διακόπτης λειτουργίας είναι χαλασμένος. Ένα ηλεκτρικό εργαλείο του οποίου η λειτουργία δεν μπορεί να ελεγχθεί με το διακόπτη είναι επικίνδυνο και πρέπει να επισκευαστεί.
- c. Αποσυνδέστε το βύσμα από τη πυγρή ρεύματος καί/ή το συγκρότημα μπαταρίας πριν κάνετε κάποια ρύθμιση, αλλάζετε τα αξεσουάρ, ή αποθηκεύετε τα ηλεκτρικά εργαλεία. Αυτά τα προληπτικά μέτρα ασφαλείας μειώνουν τον κίνδυνο να τεθεί το μηχάνημα αθέλητα σε λειτουργία.
- d. Να φυλάτε τα ηλεκτρικά εργαλεία που δεν χρησιμοποιείτε μακριά από παιδιά. Μην αφήνετε άτομα που δεν είναι εξοικειωμένα με το ηλεκτρικό εργαλείο ή που δεν έχουν διαβάσει αυτές τις οδηγίες χρήσης να το χρησιμοποιήσουν. Τα ηλεκτρικά εργαλεία είναι επικίνδυνα όταν χρησιμοποιούνται από άπειρα άτομα.
- e. Να συντηρείτε τα ηλεκτρικά εργαλεία. Ελέγξτε εάν τα κινούμενα μέρη είναι σωστά ευθυγραμμισμένα ή αν έχουν μπλοκάρει, εάν έχουν σπάσει κομμάτια και εάν πληρούνται όλες οι υπόλοιπες συνθήκες που ενδεχομένως να επηρεάσουν τη σωστή λειτουργία του εργαλείου. Δώστε τυχόν χαλασμένα εξαρτήματα του ηλεκτρικού εργαλείου για επισκευή πριν το χρησιμοποιήσετε πάλι. Η ανεπαρκής συντήρηση των ηλεκτρικών εργαλείων αποτελεί αιτία πολλών ατυχημάτων.
- f. Διατηρείτε τα κοπτικά εργαλεία κοφτερά και καθαρά. Τα κοπτικά εργαλεία με αιχμηρά κοπτικά άκρα που συντηρούνται σωστά έχουν λιγότερες πιθανότητες να μπλοκάρουν και ελέγχονται ευκολότερα.
- g. Να χρησιμοποιείτε το ηλεκτρικό εργαλείο, τα εξαρτήματα και τις μύτες κλπ σύμφωνα με αυτές τις οδηγίες, λαμβάνοντας υπόψη τις καταστάσεις εργασίας και την εργασία προς εκτέλεση. Η χρήση του

ηλεκτρικού εργαλείου για άλλες εκτός από τις προβλεπόμενες εργασίες μπορεί να δημιουργήσει επικίνδυνες καταστάσεις.

5. Σέρβις

- a. Το σέρβις του ηλεκτρικού σας εργαλείου πρέπει να αναλαμβάνει έμπειρος τεχνικός που θα χρησιμοποιεί μόνο γνήσια ανταλλακτικά. Ετσι εξασφαλίζεται η διατήρηση της ασφάλειας του ηλεκτρικού εργαλείου.

Συμπληρωματικές προειδοποιήσεις ασφαλείας για ηλεκτρικά εργαλεία



Προειδοποίηση! Πρόσθετες προειδοποιήσεις ασφαλείας για σέγες και σεγάτσες

- ◆ Πιάνετε το μηχάνημα μόνο από τις μονωμένες επιφάνειές του όταν κατά την εργασία σας υπάρχει κίνδυνος το εργαλείο κοπής να "χτυπήσει" ηλεκτρικές γραμμές ή το ηλεκτρικό καλώδιο του ίδιου του μηχανήματος. Το αξεσουάρ κοπής σε επαφή με μια υπό τάση ευρισκόμενη ηλεκτρική γραμμή μπορεί να θέσουν επίσης και τα μεταλλικά τμήματα του μηχανήματος υπό τάση κι έτσι μπορεί να οδηγήσει σε ηλεκτροπληξία.
- ◆ Χρησιμοποιήστε σφινκτήρες ή κάποιο άλλο πρακτικό μέσο για να ασφαλίστε και στηρίξετε το τεμάχιο εργασίας σε μια σταθερή επιφάνεια. Το κράτημα με το χέρι ή με το σώμα σας το κάνει ασταθές και μπορεί να οδηγήσει στο χάσιμο έλεγχου.
- ◆ Κρατήστε τα χέρια μακριά από την περιοχή κοπής. Μην προσπαθήσετε ποτέ να φτάσετε κάτω από το τεμάχιο εργασίας για οποιαδήποτε λόγο. Μην έχετε τα δάκτυλα ή τον αντίχειρα κοντά στη λεπίδα σεγάτσας και σφινκτήρα λεπίδας. Μην σταθεροποιήστε το πριόνι πιάνοντας το πέλμα.
- ◆ Κρατήστε τις λεπίδες αιχμηρές. Μη αιχμηρές ή χαλασμένες λεπίδες μπορεί να φέρουν ως αποτέλεσμα το στράβωμα ή το σκολάρισμα κάτω από πίεση. Να χρησιμοποιείτε πάντα τον ενδεδειγμένο τύπο πριονόλαμας για το συγκεκριμένο τεμάχιο εργασίας και για το είδος της κοπής.
- ◆ Κατά τη κοπή σωλήνων ή αγωγών, βεβαιωθείτε ότι δεν υπάρχει νερό, ηλεκτρικά καλώδια κλπ.
- ◆ Μην ακουμπάτε το τεμάχιο εργασίας ή τη λεπίδα αμέσως μετά τη λειτουργία εργαλείου. Μπορεί να υπερθερμανθούν.
- ◆ Προσέξτε τους κρυμμένους κινδύνους πριν από τη κοπή τοίχων, δαπέδων ή οροφών, εντοπίστε τις θέσεις όπου βρίσκονται καλώδια και σωληνώσεις.
- ◆ Η λεπίδα θα συνεχίζει να περιστρέφεται μετά την απελευθέρωση του διακόπτη. Να σβήνετε πάντα το εργαλείο και να περιμένετε να σταματήσει η πριονόλαμα τελείως πριν ακουμπήσετε το εργαλείο κάτω.

Προειδοποίηση! Η επαφή με την σκόνη που σηκώνεται από τις εφαρμογές λείανσης ή η εισπνοή της μπορεί να βάλει σε κίνδυνο τη ζωή του χειριστή και των πιθανών παρευρισκόμενων. Φορέστε μάσκα σκόνης ειδικά σχεδιασμένη για προστασία έναντι της σκόνης και των αναθυμιάσεων από χρώματα με μόλυβδο και βεβαιωθείτε ότι τα άτομα που βρίσκονται, ή εισέρχονται, στο χώρο εργασίας είναι επίσης προστατευμένα.

- ◆ Αυτό το εργαλείο δεν προσδιορίζεται για χρήση από άτομα (συμπεριλαμβανόμενα και τα παιδιά) με ελαττωμένες φυσικές, αισθητήριες και ψυχικές δυνατότητες, ή έλλειψη εμπειρίας και γνώσης, εκτός αν υπάρχει επιτήρηση ή οδηγίες για τη χρήση της συσκευής από έναν υπεύθυνο άτομο για την ασφάλεια τους. Τα παιδιά πρέπει να επιτηρηθούν για να βεβαιωθείτε ότι δεν παίζουν με το εργαλείο.
- ◆ Η ενδεχόμενη χρησιμοποίηση αναφέρεται σε αυτές τις οδηγίες χρήσεως. Τόσο η χρήση εξαρτημάτων ή προσθηκών όσο και η πραγματοποίηση εργασιών που δεν συνιστώνται στις οδηγίες αυτές εγκυμονεί κίνδυνο τραυματισμού και/η περιουσίας.

Ασφάλεια άλλων

- ◆ Αυτή η συσκευή δεν προσδιορίζεται για χρήση από άτομα (συμπεριλαμβανόμενα και τα παιδιά) με ελαττωμένες φυσικές, αισθητήριες και ψυχικές δυνατότητες, ή έλλειψη εμπειρίας και γνώσης, εκτός αν υπάρχει επιτήρηση ή οδηγίες για τη χρήση της συσκευής από έναν υπεύθυνο άτομο για την ασφάλεια τους.
- ◆ Τα παιδιά πρέπει να επιτηρηθούν για να βεβαιωθείτε ότι δεν παίζουν με τη συσκευή.

Αναπόφευκτοι κίνδυνοι.

Μπορεί να προκληθούν επιπρόσθετοι αναπόφευκτοι κίνδυνοι όταν χρησιμοποιείτε το εργαλείο οι οποίοι μπορεί να μη συμπεριλαμβάνονται στις προειδοποιήσεις ασφαλείας που εσωκλείονται. Αυτοί οι κίνδυνοι μπορεί να προκληθούν από κακή χρήση, παρατεταμένη χρήση κτλ. Ακόμα και με την τήρηση των σχετικών κανονισμών ασφαλείας και τη χρήση μέσων προστασίας, ορισμένοι κίνδυνοι δεν είναι δυνατό να εξαλειφθούν. Αυτοί περιλαμβάνουν:

- ◆ Τραυματισμούς από το άγγιγμα των περιστρεφόμενων/κινούμενων μερών.
- ◆ Τραυματισμούς από αλλαγή οποιωνδήποτε εξαρτημάτων, λεπίδων ή αξεσουάρ.
- ◆ Τραυματισμούς από παρατεταμένη χρήση του εργαλείου. Όταν χρησιμοποιείτε οποιοδήποτε εργαλείο για παρατεταμένες χρονικές περιόδους βεβαιωθείτε ότι κάνετε τακτικά διαλείμματα.
- ◆ Προβλήματα ακοής.

- ◆ **Κίνδυνοι στην υγεία που προκαλούνται από την εισπνοή σκόνης όταν χρησιμοποιείτε το εργαλείο (παράδειγμα:- όταν επεξεργάζεστε ξύλο, ειδικά δρυς, οξιά και MDF.)**

Δόνηση

Οι δηλωμένες τιμές εκπομπής δόνησης στον τομέα τεχνικών χαρακτηριστικών και στη δήλωση συμμόρφωσης έχουν μετρηθεί σύμφωνα με μια πρότυπη μέθοδο δοκιμής παρεχόμενη από το EN 60745 και μπορεί να χρησιμοποιηθεί για την σύγκριση ενός εργαλείου με ένα άλλο. Η δηλωμένη τιμή εκπομπής δόνησης μπορεί να χρησιμοποιηθεί επίσης σε μια προκαταρκτική εκτίμηση έκθεσης.

Προσοχή! Η τιμή εκπομπής δόνησης κατά τη παρόν χρήση του ηλεκτρικού εργαλείου μπορεί να διαφέρει από τη δηλωμένη τιμή αναλόγως με τον τρόπο που χρησιμοποιείται το εργαλείο. Το επίπεδο δόνησης μπορεί να αυξηθεί πάνω από το δηλωμένο επίπεδο.

Κατά την εκτίμηση έκθεσης στη δόνηση για να αποφασιστούν τα μέτρα ασφαλείας που απαιτούνται από το 2002/44/EK για την προστασία ατόμων που χρησιμοποιούν τακτικά το εργαλείο, πρέπει να ληφθεί υπόψη μια εκτίμηση έκθεσης δόνησης, οι παρόν καταστάσεις χρήσης και ο τροφός χρήσης εργαλείου, συμπεριλαμβανόμενα όλα τα μερί του κύκλου εργασίας όπως πόσες φορές σβήνεται το εργαλείο και όταν δουλεύει χωρίς φορτίο πρόσθετα πόσες φορές πατιέται η σκανδάλη.

Ετικέτες επάνω στο εργαλείο

Πάνω στο εργαλείο υπάρχουν οι εξής σχηματικές απεικονίσεις:



Προσοχή! Για να μειώσετε τον κίνδυνο τραυματισμού, ο χρήστης πρέπει να διαβάσει το εγχειρίδιο οδηγιών.

Ασφαλής χρήση του ηλεκτρικού ρεύματος



Αυτό το εργαλείο φέρει διπλή μόνωση, επομένως δεν απαιτείται σύρμα γείωσης. Ελέγχετε πάντοτε αν η τάση τροφοδοσίας αντιστοιχεί σε αυτήν που αναγράφεται στην πινακίδα στοιχείων του εργαλείου.

- ◆ Αν το καλώδιο ρεύματος έχει υποστεί βλάβη, πρέπει να αντικατασταθεί από τον κατασκευαστή ή από εξουσιοδοτημένο Κέντρο Επισκευών Black & Decker ώστε να αποφύγετε τους κινδύνους.

Χαρακτηριστικά

Το εργαλείο διαθέτει όλα ή ορισμένα από τα εξής χαρακτηριστικά.

1. Διακόπτης on/off
2. Πλήκτρο ασφάλισης

3. Κουμπί ρύθμισης ταχύτητας
4. Διακόπτης επιλογής κατάστασης λειτουργίας
5. Μοχλός κλειδώματος πριονόλαμας
6. Υποδοχή πριονόλαμας
7. Πλάκα πέλματος
8. Διακόπτης ασφαλείας πλάκας πέλματος
9. Σπειροειδές κουμπί
10. Ντουλαπάκι φύλαξης πριονόλαμας

Συναρμολογηση

Προειδοποίηση! Πριν από τη συναρμολόγηση, βεβαιωθείτε ότι το εργαλείο είναι σβηστό και ότι το φως του δεν είναι στην πρίζα.

Τοποθέτηση της λεπίδας του πριονιού (εικ. Α)

- ◆ Κρατήστε τη λεπίδα του πριονιού (11) όπως φαίνεται στην εικόνα με τα δόντια στραμμένα προς τα εμπρός.
- ◆ Ωθήστε τον μοχλό (5) προς τα κάτω.
- ◆ Τοποθετήστε το στέλεχος της λεπίδας στην υποδοχή της λεπίδας (6) όσο πιο πολύ γίνεται.
- ◆ Αφήστε το μοχλό.
- ◆ Προσαρμόστε τον κύλινδρο στήριξης της λεπίδας όπως περιγράφεται παρακάτω.

Προσαρμογή του κυλίνδρου στήριξης της λεπίδας (εικ. Α & Β)

Αφού προσαρμόσετε την λεπίδα, χρειάζεται να προσαρμόσετε τον κύλινδρο στήριξης λεπίδας (12).

- ◆ Γυρίστε τη βίδα ρύθμισης στήριξης πριονόλαμας (13) σε αριστερόστροφη κατεύθυνση.
- ◆ Ολισθήστε τον κύλινδρο στήριξης λεπίδας ενάντια στο πίσω μέρος της λεπίδας. Η λεπίδα πρέπει να βρίσκεται στην κεντρική εσοχή του κυλίνδρου.
- ◆ Γυρίστε τη βίδα ρύθμισης στήριξης πριονόλαμας σε δεξιόστροφη κατεύθυνση για να κλειδώσετε σε θέση την στήριξη πριονόλαμας.

Προσάρτηση ηλεκτρικής σκούπας στο εργαλείο (εικ. C & D)

- ◆ Ευθυγραμμίστε τον προσαρμογέα εξαγωγής σκόνης (14) με την πλάκα πέλματος ως φαίνεται στην εικόνα.
- ◆ Εισάγετε τις προεξοχές (15) μέσα στις οπές (16).
- ◆ Σπρώξτε προς τα πίσω τον προσαρμογέα για να κλειδωθεί στη θέση του.
- ◆ Συνδέστε το σωλήνα της ηλεκτρικής σκούπας (17) (δεν παρέχεται) στον προσαρμογέα.

Η εξαγωγή σκόνης δεν είναι δυνατή όταν κάνετε διαγώνιες κοπές.

Προειδοποίηση! Μην χρησιμοποιήσετε τον προσαρμογέα εξαγωγής σκόνης όταν πριονίζετε μέταλλο.

Χρήση

Προειδοποίηση! Αφήστε το εργαλείο να λειτουργήσει με το δικό του ρυθμό. Μην το υπερφορτώνετε.

Προειδοποίηση! Ποτέ μην χρησιμοποιείτε το εργαλείο όταν το πέλμα είναι χαλαρό ή έχει αφαιρεθεί.

Ρύθμιση της πλάκας πέλματος για κοπή φαλτσογωνιάς (εικ. Ε)

Η πλάκα πέλματος ρυθμίζεται σε γωνία αριστερής ή δεξιάς φαλτσογωνιάς έως και 45°.

- ◆ Γυρίστε τον διακόπτη κλειδώματος (8) κατά την κατεύθυνση Α για να απελευθερώσετε την πλάκα πέλματος (7).
- ◆ Τραβήξτε την πλάκα πέλματος (7) προς τα πίσω και τοποθετήστε τη στην επιθυμητή γωνία. Μπορείτε να χρησιμοποιήσετε την κλίμακα ή ένα μοιρογνωμόνιο για να ελέγξετε τη γωνία.
- ◆ Γυρίστε τον διακόπτη κλειδώματος (8) κατά την κατεύθυνση Β για να ασφαλίσετε την πλάκα πέλματος.

Για να επανατοποθετήσετε την πλάκα πέλματος για ευθεία κοπή:

- ◆ Γυρίστε τον διακόπτη κλειδώματος (8) κατά την κατεύθυνση Α για να απελευθερώσετε την πλάκα πέλματος (7).
- ◆ Τραβήξτε την πλάκα πέλματος προς τα πίσω και τοποθετήστε τη σε γωνία περίπου 0ο.
- ◆ Τραβήξτε προς τα εμπρός την πλάκα πέλματος.
- ◆ Γυρίστε τον διακόπτη κλειδώματος (8) κατά την κατεύθυνση Β για να ασφαλίσετε την πλάκα πέλματος. Βεβαιωθείτε ότι η πλάκα πέλματος υποστηρίζεται από τις προεξοχές οδηγού.

Ρύθμιση της κατάστασης λειτουργίας (εικ. F)

Στη κατάσταση ευθείας κοπής, η λεπίδα κοπής μπορεί να ρυθμιστεί και κλειδωθεί σε 4 θέσεις, μπροστά, πίσω, αριστερά ή δεξιά

- ◆ Γυρίστε τον διακόπτη επιλογής κατάστασης λειτουργίας (4) στη θέση Α (συνεχής κατάσταση).
- ◆ Περιστρέψτε τη λεπίδα κοπής στην επιθυμητή θέση χρησιμοποιώντας τον σπειροειδές κουμπί (9).
- ◆ Γυρίστε τον διακόπτη επιλογής κατάστασης λειτουργίας (4) στη θέση Α (κατάσταση ευθείας κοπής). Σε αυτή τη θέση το σπειροειδές κουμπί δεν μπορεί να περιστραφεί. Η λεπίδα κοπής κλειδώνεται στη θέση της.

Συνεχής κατάσταση

Στη συνεχή κατάσταση, η λεπίδα κοπής μπορεί να περιστραφεί για σύνθετη και ακριβή κοπή. Προτείνεται να χρησιμοποιήσετε κατάλληλες λεπίδες κοπής για συνεχείς σ' αυτή τη κατάσταση.

- ◆ Γυρίστε τον διακόπτη επιλογής κατάστασης λειτουργίας (4) στη θέση A (συνεχείς κατάσταση). Σε αυτή τη θέση δεν υπάρχει εκκρεμές κίνησης.

Κατάσταση εκκρεμές κίνησης

Στη κατάσταση εκκρεμές κίνησης, η λεπίδα κοπής είναι κλειδωμένη στη μπροστινή κατεύθυνση για γρήγορη ευθεία κοπή.

- ◆ Γυρίστε τον διακόπτη επιλογής κατάστασης λειτουργίας (4) στη θέση A (συνεχείς κατάσταση).
- ◆ Περιστρέψτε τη λεπίδα κοπής στην μπροστινή θέση χρησιμοποιώντας τον σπειροειδές κουμπί (9).
- ◆ Γυρίστε τον διακόπτη επιλογής κατάστασης λειτουργίας (4) στη θέση A (κατάσταση εκκρεμές κίνησης). Σε αυτή τη θέση το σπειροειδές κουμπί δεν μπορεί να περιστραφεί. Η λεπίδα κοπής κλειδώνεται στη θέση τις.

Έλεγχος μεταβλητής ταχύτητας

- ◆ Ρυθμίστε το κουμπί ελέγχου μεταβλητής ταχύτητας (3) στην απαιτούμενη κλίμακα ταχύτητας. Χρησιμοποιήστε υψηλή ταχύτητα για χρήση σε ξύλο, μέση ταχύτητα για χρήση σε αλουμίνιο, και PVC και χαμηλή ταχύτητα για χρήση σε μέταλλα πλην του αλουμινίου.

Θέση εντός και εκτός λειτουργίας

- ◆ Για να θέσετε σε λειτουργία το εργαλείο, πατήστε το διακόπτη on/off (1).
- ◆ Για διαρκή λειτουργία, πατήστε το κουμπί ασφάλισης (2) και απελευθερώστε τον διακόπτη on/off.
- ◆ Για να θέσετε το εργαλείο εκτός λειτουργίας, αφήστε το διακόπτη on/off. Για να σβήσετε το εργαλείο όταν βρίσκεται σε κατάσταση συνεχόμενης λειτουργίας, πατήστε μία φορά το διακόπτη on/off και ύστερα αφήστε τον.

Πώς να χρησιμοποιήσετε το χαρακτηριστικό SightLine™ (Εικ. G)

- ◆ Χρησιμοποιήστε ένα μολύβι για να μαρκάρετε τη γραμμή κοπής.
- ◆ Τοποθετήστε τη σέγα πάνω από τη γραμμή (18).

Εάν κοιτάτε ακριβώς από πάνω από τη σέγα, μπορείτε εύκολα να ακολουθήσετε τη γραμμή κοπής. Στην περίπτωση κατά την οποία δεν μπορείτε να δείτε καθαρά για οποιοδήποτε λόγο, μπορείτε να χρησιμοποιήσετε την οδόντωση (19) ως εναλλακτικό οδηγό κοπής.

Συμβουλές για άριστη χρήση

Πριόνισμα επιφανειών λαμιν

Καθώς η λεπίδα του πριονιού κόβει προς τα πάνω, ενδέχεται να δημιουργηθούν σχίζες στην επιφάνεια που βρίσκεται κοντά στην πλάκα πέλματος.

- ◆ Να χρησιμοποιείτε λεπίδα με κοφτερά δόντια.

- ◆ Να πριονίζετε από την πίσω μεριά της επιφάνειας του τεμαχίου εργασίας.
- ◆ Για να μειώσετε στο ελάχιστο τη δημιουργία σχιζών, στερεώστε ένα κομμάτι ξύλο ή κομμάτι πλακάκι και στις δύο πλευρές του τεμαχίου εργασίας και πριονίστε το όλο μαζί.

Συνεχείς

- ◆ Να χρησιμοποιείτε λεπίδα κατάλληλη για συνεχείς επιφάνειες ξύλου.
- ◆ Κρατώντας το εργαλείο με το ένα χέρι, μετακινήστε αργά το εργαλείο για να ακολουθήσετε τη γραμμή κοπής, χρησιμοποιώντας το σπειροειδές κουμπί.

Πριόνισμα μετάλλου

- ◆ Λάβετε υπόψη ότι το πριόνισμα μετάλλου απαιτεί περισσότερο χρόνο από ότι το πριόνισμα ξύλου.
- ◆ Να χρησιμοποιείτε λεπίδα κατάλληλη για πριόνισμα μετάλλου.
- ◆ Όταν πριονίζετε λεπτή λαμαρίνα, στερεώστε ένα κομμάτι ξύλο στην πίσω επιφάνεια του τεμαχίου εργασίας και πριονίστε το όλο μαζί.
- ◆ Απλώστε ένα λεπτό στρώμα λαδιού κατά μήκος της γραμμής κοπής.

Εξαρτήματα

Η απόδοση του εργαλείου σας εξαρτάται από τα εξαρτήματα που χρησιμοποιείτε. Τα εξαρτήματα Black & Decker και Piranha είναι σχεδιασμένα σύμφωνα με πρότυπα υψηλής ποιότητας για να βελτιώνουν την απόδοση του εργαλείου σας. Χρησιμοποιώντας τα θα επιτύχετε τη βέλτιστη απόδοση του εργαλείου.

Το εργαλείο αυτό είναι κατάλληλο τόσο για πριονόλαμες με στελέχη σε σχήμα U όσο και πριονόλαμες με στελέχη σε σχήμα T.

Συντήρηση

Το εργαλείο σας έχει σχεδιαστεί έτσι ώστε να λειτουργεί για μεγάλη χρονική περίοδο με την ελάχιστη δυνατή συντήρηση. Η αδιάλειπτη και κανονική λειτουργία του εργαλείου εξαρτάται από τη φροντίδα και τον τακτικό καθαρισμό.

Προειδοποίηση! Πριν από οποιαδήποτε εργασία συντήρησης στο εργαλείο, θα πρέπει να το σβήσετε και να το βγάλετε από την πρίζα.

- ◆ Να καθαρίζετε τακτικά τις εγκοπές εξαερισμού του εργαλείου σας χρησιμοποιώντας μαλακή βούρτσα ή στεγνό πανί.
- ◆ Να καθαρίζετε τακτικά το περίβλημα του μοτέρ χρησιμοποιώντας ένα υγρό πανί. Μη χρησιμοποιείτε αποξυστικά καθαριστικά ή υγρά καθαρισμού που περιέχουν διαλύτες.

- ◆ Περιστασιακά ρίχνετε μια σταγόνα λαδιού στον άξονα του κυλίνδρου στήριξης λεπίδας.

Διάθεση εργαλείων και περιβάλλον



Ξεχωριστή συλλογή. Αυτό το προϊόν δεν πρέπει να απορριφθεί με συνηθισμένα σπιτικά απορρίμματα.

Εάν κάποια μέρα διαπιστώσετε ότι το προϊόν σας Black & Decker χρειάζεται αντικατάσταση ή δεν σας χρησιμεύει πλέον, μην το απορρίψετε με τα σπιτικά απορρίμματα.

Κάντε αυτό το προϊόν διαθέσιμο για ξεχωριστή συλλογή.



Η ξεχωριστή συλλογή χρησιμοποιημένων προϊόντων και συσκευασιών επιτρέπει την ανακύκλωση υλικών. Η επανάχρηση ανακυκλωμένων υλικών βοηθάει την προστασία του περιβάλλον και μειώνει την ζήτηση για σπάνια υλικά.

Οι τοπικοί κανονισμοί μπορεί να παρέχουν ξεχωριστή συλλογή ηλεκτρικών προϊόντων από κατοικίες, δημοτικές τοποθεσίες απορριμμάτων ή από τον έμπορα όταν αγοράσατε το καινούργιο προϊόν.

Η Black & Decker δίνει τη δυνατότητα συλλογής και ανακύκλωσης των προϊόντων της που έχουν συμπληρώσει τη διάρκεια ζωής τους. Αν θέλετε να χρησιμοποιήσετε την εν λόγω υπηρεσία, επιστρέψτε το προϊόν σας σε οποιοδήποτε εξουσιοδοτημένο κέντρο επισκευών, όπου θα το παραλάβουν εκ μέρους σας.

Ενημερωθείτε για το πλησιέστερο κέντρο επισκευών της περιοχής σας, επικοινωνώντας με τα γραφεία της Black & Decker στη διεύθυνση που αναγράφεται στο εγχειρίδιο. Επίσης, για να πληροφορηθείτε τα εξουσιοδοτημένα κέντρα επισκευών της Black & Decker και τις λεπτομέρειες και τους αρμόδιους των υπηρεσιών που παρέχονται μετά την πώληση, μπορείτε ανατρέξτε στο Διαδίκτυο στη διεύθυνση: www.2helpU.com

Τεχνικά χαρακτηριστικά

	KS2005E Typ.1
Τάση	V _{AC} 230
Ισχύς εισόδου	W 600
Αριθμός παλινδρομικών κινήσεων (χωρίς φορτίο) ανά λεπτό	min ⁻¹ 800 - 3.200
Μέγιστο βάθος κοπής	
Ξύλο	mm 65
Χάλυβας	mm 4
Αλουμίνιο	mm 10
Βάρος	kg 2,8

Στάθμη πίεσης ήχου σύμφωνα με το πρότυπο EN 60745:

Πίεση ήχου (L_{PA}) 92 dB(A), αβεβαιότητα (K) 3 dB(A)

Ακουστική ισχύς (L_{WA}) 103 dB(A), αβεβαιότητα (K) 3 dB(A)

Τιμές συνολικής δόνησης (άθροισμα τριαξονικών ανυσμάτων) αποφασισμένο σύμφωνα με EN 60745:

Κοπή ξύλου (a_h) 11,00 m/s², αβεβαιότητα (K) 2,6 m/s²

Κοπή μετάλλου (a_n) 13,96 m/s², αβεβαιότητα (K) 5,6 m/s²

Δήλωση συμμόρφωσης με την Ευρωπαϊκή Κοινότητα

ΟΔΗΓΙΑ ΠΕΡΙ ΜΗΧΑΝΗΜΑΤΩΝ



Η Black & Decker δηλώνει ότι αυτά τα προϊόντα που περιγράφονται στον τομέα "τεχνικά χαρακτηριστικά" είναι σε συμμόρφωση με:

2006/42/EK, EN 60745-1, EN 60745-2-11

Για περισσότερες πληροφορίες, επικοινωνήστε με τη Black & Decker στη διεύθυνση που ακολουθεί ή στο πίσω μέρος του εγχειριδίου.

Ο υπογεγραμμένος είναι υπεύθυνος για τη σύνταξη του τεχνικού αρχείου και κάνει την παρών δήλωση εκ μέρους της Black & Decker.

Kevin Hewitt
Vice-President Global Engineering
Black & Decker Europe, 210 Bath Road, Slough,
Berkshire, SL1 3YD
Ηνωμένο Βασίλειο
18/02/2010

Εγγύηση

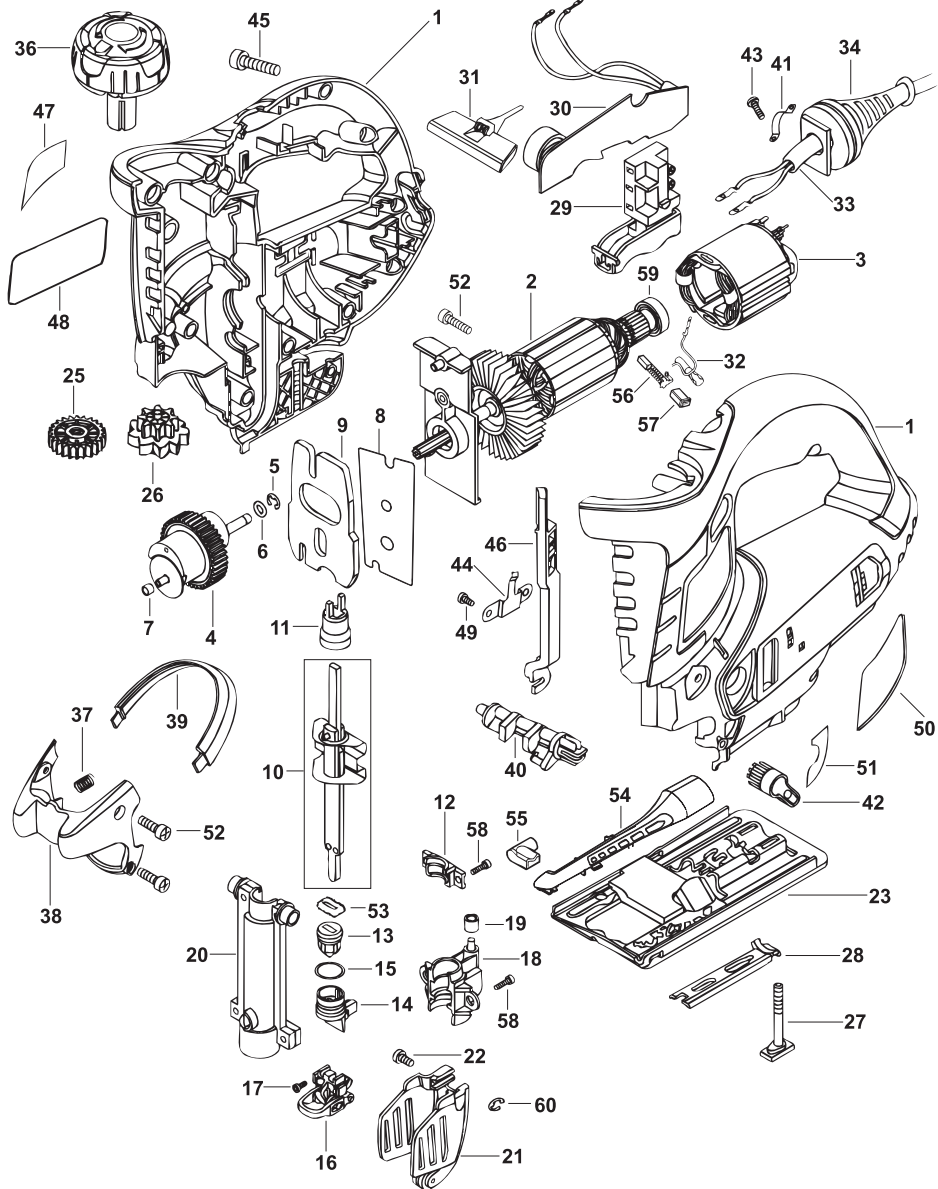
Η Black & Decker είναι σίγουρη για την ποιότητα των προϊόντων της και παρέχει σημαντική εγγύηση. Η παρούσα γραπτή εγγύηση αποτελεί πρόσθετο δικαίωμά σας και δεν ζημιώνει τα συνταγματικά σας δικαιώματα. Η εγγύηση ισχύει εντός της επικράτειας των Κρατών Μελών της Ευρωπαϊκής Ένωσης και της Ευρωπαϊκής Ζώνης Ελευθέρων Συναλλαγών.

Σε περίπτωση που κάποιο προϊόν της Black & Decker παρουσιάσει βλάβη εξαιτίας ελαττωματικών υλικών, ποιότητας εργασίας ή έλλειψης συμφωνίας με τις προδιαγραφές εντός 24 μηνών από την ημερομηνία αγοράς, η Black & Decker εγγυάται την αντικατάσταση των ελαττωματικών τμημάτων, την επισκευή προϊόντων που έχουν υποστεί εύλογη φθορά λόγω χρήσης ή την αντικατάσταση των προϊόντων προκειμένου να εξασφαλίσει την ελάχιστη ενόχληση στους πελάτες της, εκτός αν:

- ◆ Το προϊόν έχει χρησιμοποιηθεί σε εργασιακό, επαγγελματικό περιβάλλον ή αν έχει ενοικιαστεί
- ◆ Έχει γίνει εσφαλμένη χρήση του προϊόντος ή αν έχει παραμεληθεί
- ◆ Το προϊόν έχει υποστεί βλάβη από άλλα αντικείμενα, από ουσίες ή λόγω ατυχήματος
- ◆ Έχει γίνει προσπάθεια επισκευής από μη εξουσιοδοτημένα κέντρα επισκευών ή από προσωπικό που δεν ανήκει στο προσωπικό της Black & Decker

Για να ισχύσει η εγγύηση, πρέπει να υποβάλετε απόδειξη αγοράς στον πωλητή ή το εξουσιοδοτημένο κέντρο επισκευών. Ενημερωθείτε για το πλησιέστερο κέντρο επισκευών της περιοχής σας, επικοινωνώντας με τα γραφεία της Black & Decker στη διεύθυνση που αναγράφεται στο εγχειρίδιο. Επίσης, για να πληροφορηθείτε για τα εξουσιοδοτημένα κέντρα επισκευών της Black & Decker, τις λεπτομέρειες και τους αρμόδιους των υπηρεσιών που παρέχονται μετά την πώληση, μπορείτε να ανατρέξετε στο Διαδίκτυο στη διεύθυνση: www.2helpU.com

Παρακαλούμε να επισκεφτείτε την ιστοσελίδα μας www.blackanddecker.eu για να καταχωρήσετε το νέο σας προϊόν Black & Decker και για να ενημερώνετε για τα νέα προϊόντα και τις ειδικές προσφορές. Περισσότερες πληροφορίες σχετικά με τη μάρκα Black & Decker και τη σειρά προϊόντων μας θα βρείτε στη διεύθυνση www.blackanddecker.eu



ENGLISH

Do not forget to register your product!

www.blackanddecker.co.uk/productregistration

Register your product online at www.blackanddecker.co.uk/productregistration or send your name, surname and product code to Black & Decker in your country.

DEUTSCH

Vergessen Sie nicht, Ihr Produkt registrieren zu lassen!

www.blackanddecker.de/productregistration

Lassen Sie Ihr Produkt unter www.blackanddecker.de/productregistration online registrieren oder schicken Sie Ihren Nachnamen, Vornamen und den Produktcode an Black & Decker in Ihrem Land.

FRANÇAIS

N'oubliez pas d'enregistrer votre produit !

www.blackanddecker.fr/productregistration

Enregistrez votre produit en ligne sur www.blackanddecker.fr/productregistration ou envoyez vos nom, prénom et code produit à Black & Decker dans votre pays.

ITALIANO

Non dimenticate di registrare il prodotto!

www.blackanddecker.it/productregistration

Registrate il prodotto online su www.blackanddecker.it/productregistration o inviate nome, cognome e codice del prodotto al centro Black & Decker del vostro paese.

NEDERLANDS

Vergeet niet uw product te registreren!

www.blackanddecker.nl/productregistration

U kunt uw product online registreren op www.blackanddecker.nl/productregistration of u kunt uw voornaam, achternaam en productcode opsturen naar Black & Decker in uw land.

ESPAÑOL

¡No olvide registrar su producto!

www.blackanddecker.es/productregistration

Registre su producto on-line en www.blackanddecker.es/productregistration o envíe su nombre, apellidos y código de producto a Black & Decker en su país.

PORTUGUÊS

Não se esqueça de registar o seu produto!

www.blackanddecker.pt/productregistration

Registe o seu produto online em www.blackanddecker.pt/productregistration ou envie o seu nome, apelido e código do produto para a Black & Decker no seu país.

SVENSKA

Glöm inte att registrera produkten!

www.blackanddecker.se/productregistration

Registrera produkten online på www.blackanddecker.se/productregistration eller skicka namn och produktkod till Black & Decker i landet du bor i.

NORSK

Ikke glem å registrere produktet ditt!

www.blackanddecker.no/productregistration

Registrer produktet ditt online på www.blackanddecker.no/productregistration, eller send ditt navn, etternavn og produktkode til Black & Decker i ditt eget land.

DANSK

Glem ikke at registrere dit produkt!

www.blackanddecker.dk/productregistration

Registrer dit produkt på internettet på: www.blackanddecker.dk/productregistration eller send dit navn, efternavn og produktkode til Black & Decker i dit eget land.

SUOMI

Muistathan rekisteröidä tuotteesi!

www.blackanddecker.fi/productregistration

Rekisteröi tuotteesi verkossa osoitteessa www.blackanddecker.fi/productregistration tai läheta etunimesi, sukunimesi ja tuotekoodi oman maasi Black & Decker -edustajalle.

ΕΛΛΗΝΙΚΑ

Μην ξεχάσετε να καταχωρίσετε το προϊόν σας!

www.blackanddecker.gr/productregistration

Καταχωρίστε το προϊόν σας σε σύνδεση στη σελίδα www.blackanddecker.gr/productregistration ή στείλτε το όνομα, επίθετο σας και τον κωδικό προιωντός στη Black & Decker στη χώρα σας.

België/Belgique	Black & Decker (Belgium) N.V. Nieuwlandlaan 7 I.Z. Aarschot B156 3200 Aarschot	Tel. Fax	016 68 91 00 016 68 91 11
Danmark	Black & Decker Sluseholmen 2-4, 2450 København SV Internet: www.blackanddecker.dk	Tel. Fax	70 20 15 10 70 22 49 10
Deutschland	Black & Decker GmbH Black & Decker Str. 40, D - 65510 Idstein	Tel. Fax	06126/21 - 0 06126/21 29 80
Ελλάδα	Black & Decker (Ελλάς) Α.Ε. Σπύρβωνος 7 & Λεωφ. Βουλιαγμένης 159 166 74 Γλυφάδα - Αθήνα	Τηλ. Φαξ www.blackanddecker.eu	210 8981616 210 8983285
España	Black & Decker Ibérica, S.C.A. Parc de Negocis "Mas Blau" Edificio Muntadas, c/Bergadá, 1, Of. A6 08820 El Prat de Llobregat (Barcelona)	Tel. Fax	934 797 400 934 797 419
France	Black & Decker (France) S.A.S. 5 allée des Hêtres B.P. 30084 69579 Limonest Cédex	Tel. Fax	04 72 20 39 20 04 72 20 39 00
Helvetia	ROFO AG Gewerbezone Seeblick 3213 Kleinbörsingen	Tel. Fax	026-6749391 026-6749394
Italia	Black & Decker Italia SpA Viale Elvezia 2 20052 Monza (MI)	Tel. Fax Numero verde	039-23871 039-2387592/2387594 800-213935
Nederland	Black & Decker Benelux Joulehof 12, 4622 RG Bergen op Zoom	Tel. Fax	0164 - 283000 0164 - 283100
Norge	Black & Decker (Norge) A/S Postboks 4814, Nydalen, 0422 Oslo Internet: www.blackanddecker.no	Tlf. Fax	22 90 99 00 22 90 99 01
Österreich	Black & Decker Vertriebsges.m.b.H Oberlaaerstraße 246, A1100 Wien	Tel. Fax	01 66116-0 01 66116-14
Portugal	Black & Decker Rua Egas Moniz 173 S. João do Estoril 2766-651 Estoril	Tel. Fax	214667500 214667580
Suomi	Black & Decker Oy Keilasatama 3, 02150 Espoo Black & Decker Oy, Kägelhamnen 3, 02150 Esbo	Puh. Faksi Tel. Fax	010 400 430 (09) 2510 7100 010 400 430 (09) 2510 7100
Sverige	Black & Decker AB Box 94, 431 22 Mölndal	Tel. Fax	031-68 60 60 031-68 60 80
United Kingdom	Black & Decker 210 Bath Road Slough, Berkshire SL1 3YD	Tel. Fax Helpline	01753 511234 01753 551155 01753 574277
Middle East & Africa	Black & Decker (Overseas) A.G. PB 5420, Dubai, United Arab Emirates	Tel. Fax	+971 4 2826464 +971 4 2826466