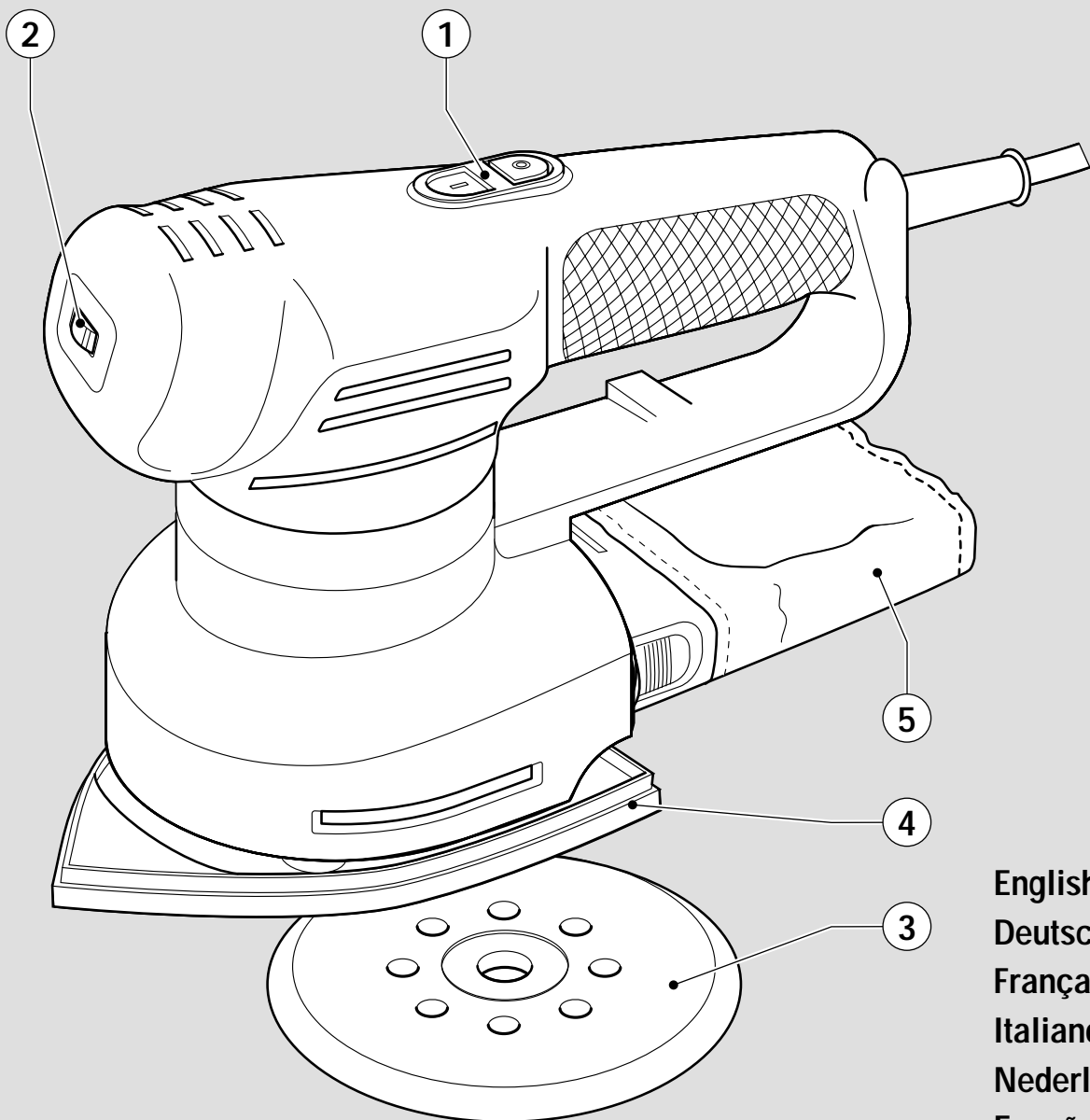
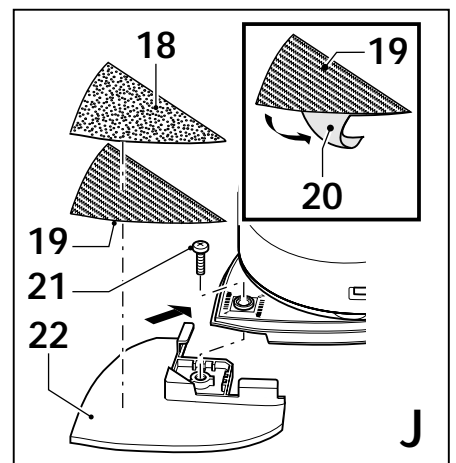
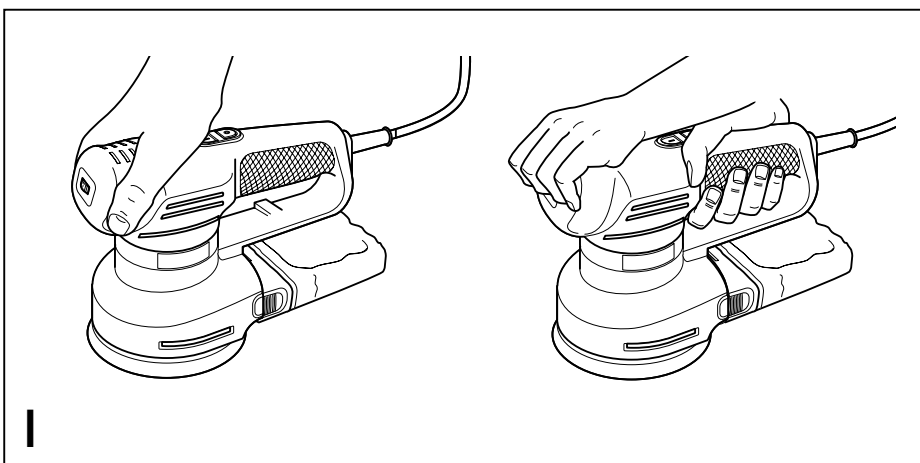
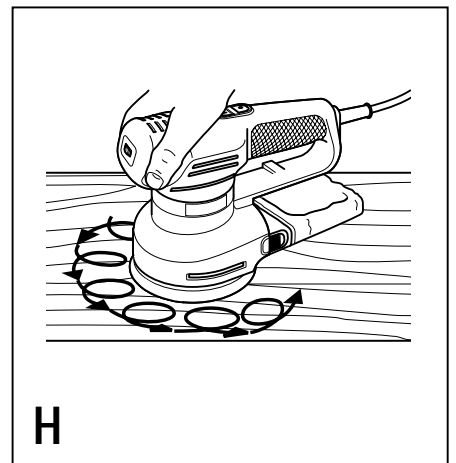
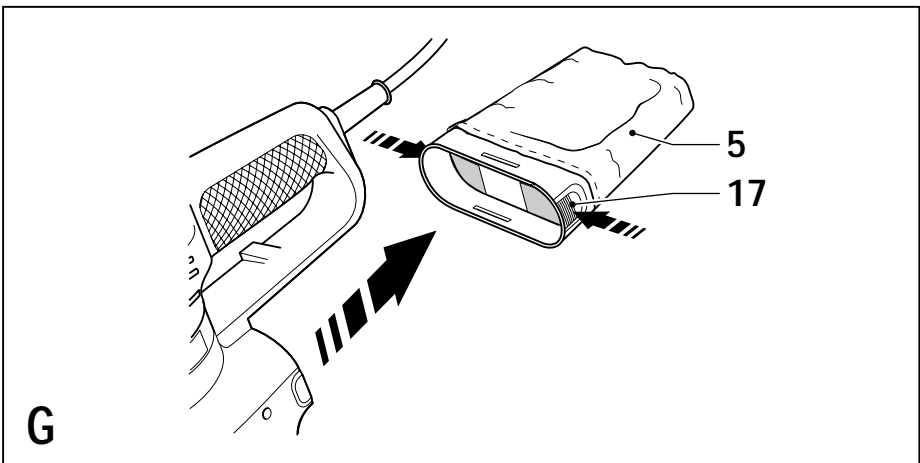
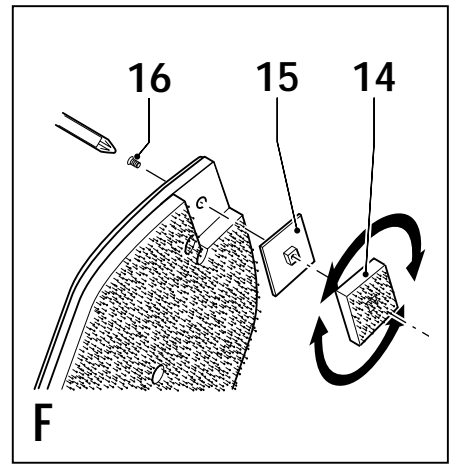
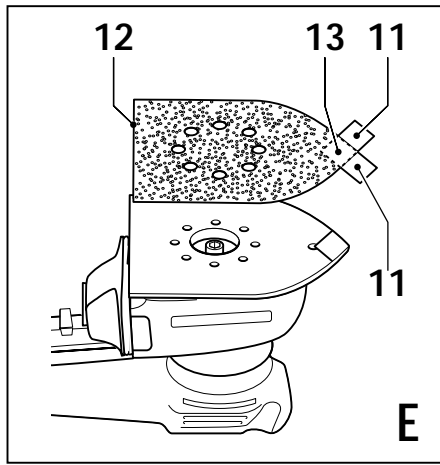
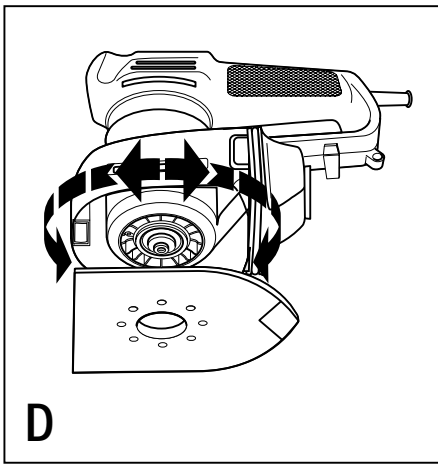
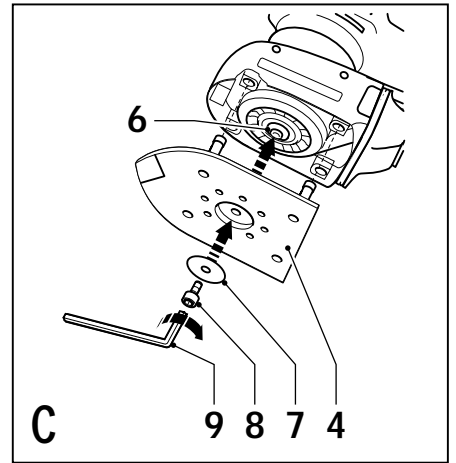
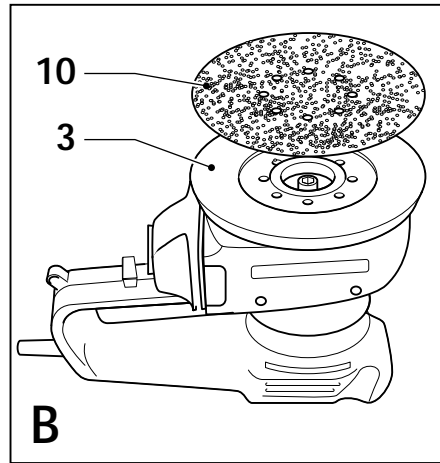
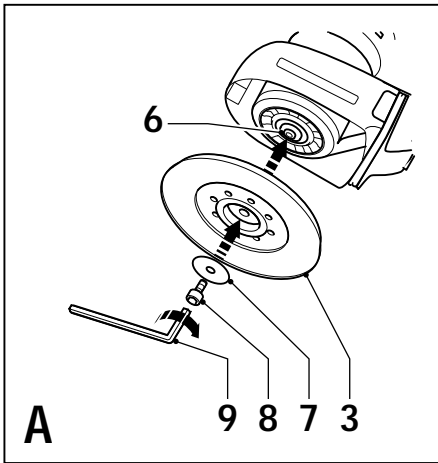


# **BLACK & DECKER®**



English	3
Deutsch	7
Français	11
Italiano	15
Nederlands	19
Español	23
Português	27
Svenska	31
Norsk	35
Dansk	39
Suomi	43
Ελληνικά	47



## Intended use

Your Black & Decker sander has been designed for sanding and polishing wood, metal, plastics and painted surfaces. This tool is intended for consumer use only.

## Safety instructions

- ◆ **Warning!** When using mains-powered tools, basic safety precautions, including the following, should always be followed to reduce the risk of fire, electric shock, personal injury and material damage.
- ◆ Read all of this manual carefully before operating the tool.
- ◆ Retain this manual for future reference.
- ◆ Remove the plug from the socket before carrying out any adjustment, servicing or maintenance.

### Keep work area clean

Cluttered areas and benches can cause accidents.

### Consider work area environment

Do not expose the tool to rain. Do not use the tool in damp or wet conditions. Keep the work area well lit. Do not use the tool where there is a risk of causing fire or explosion, e.g. in the presence of flammable liquids and gases.

### Keep children away

Do not allow children, visitors or animals to come near the work area or to touch the tool or mains cable.

### Dress properly

Do not wear loose clothing or jewellery, as these can be caught in moving parts. Preferably wear rubber gloves and non-slip footwear when working outdoors. Wear protective hair covering to keep long hair out of the way.

### Personal protection

Always use safety glasses. Use a face or dust mask whenever the operations may produce dust or flying particles.

Hearing protection should be worn.

### Guard against electric shock

Prevent body contact with earthed or grounded surfaces (e.g. pipes, radiators, cookers and refrigerators).

Electric safety can be further improved by using a high-sensitivity (30 mA / 30 mS) residual current device (RCD).

### Do not overreach

Keep proper footing and balance at all times.

### Stay alert

Watch what you are doing. Use common sense.

Do not operate the tool when you are tired.

### Secure workpiece

Use clamps or a vice to hold the workpiece. It is safer and it frees both hands to operate the tool.

### Connect dust extraction equipment

If devices are provided for the connection of dust extraction and collection facilities, ensure that these are connected and properly used.

## Remove adjusting keys and wrenches

Always check that adjusting keys and wrenches are removed from the tool before operating the tool.

### Extension cables

Before use, inspect the extension cable and replace if damaged.

When using the tool outdoors, only use extension cables intended for outdoor use. Up to 30 m of Black & Decker extension cable can be used without loss of power.

### Use appropriate tool

The intended use is described in this instruction manual.

Do not force small tools or attachments to do the job of a heavy-duty tool. The tool will do the job better and safer at the rate for which it was intended. Do not force the tool.

**Warning!** The use of any accessory or attachment or performance of any operation with this tool other than those recommended in this instruction manual may present a risk of personal injury.

### Check for damaged parts

Before use, carefully check the tool and mains cable for damage. Check for misalignment and seizure of moving parts, breakage of parts, damage to guards and switches and any other conditions that may affect its operation. Ensure that the tool will operate properly and perform its intended function. Do not use the tool if any part is damaged or defective. Do not use the tool if the switch does not turn it on and off. Have any damaged or defective parts repaired or replaced by an authorised repair agent. Never attempt any repairs yourself.

### Unplug the tool

Unplug the tool when it is not in use, before changing any parts of the tool, accessories or attachments and before servicing.

### Avoid unintentional starting

Do not carry the tool with a finger on the on/off switch.

Be sure that the tool is switched off when plugging in.

### Do not abuse cord

Never carry the tool by its cord or pull it to disconnect from the socket. Keep the cord away from heat, oil and sharp edges.

### Store idle tools

When not in use, tools should be stored in a dry, locked up or high place, out of reach of children.

### Maintain tools with care

Keep cutting tools sharp and clean for better and safer performance. Follow the instructions for maintenance and changing accessories. Keep handles and switches dry, clean and free from oil and grease.

### Repairs

This tool complies with relevant safety requirements.

Repairs should only be carried out by qualified persons using original spare parts; otherwise this may result in considerable danger to the user.

### Electrical safety



This tool is double insulated; therefore no earth wire is required. Always check that the power supply corresponds to the voltage on the rating plate.

**Additional safety instructions for sanders**

- ◆ Always wear a dust mask whenever sanding.
- ◆ Thoroughly remove all dust after sanding.
- ◆ Before using the tool on wooden workpieces, make sure to fit the dustbag.
- ◆ Before using the tool on metal workpieces, make sure to remove the dustbag.
- ◆ Never use the tool without a sanding sheet.
- ◆ Never use the tool without a sanding base.

**Sanding lead-based paint or MDF**

Sanding of lead-based paint is not recommended due to the difficulty of controlling the contaminated dust. The greatest danger of lead poisoning is to children and pregnant women. Any pre-1960 building may in the past have been painted with paint containing lead. This paint may be covered with additional layers of paint. Before starting work, it is important to determine whether the paint to be sanded contains lead. This can be done using a test kit or by a professional decorator.

**Personal protection**

- ◆ Do not let children or pregnant women enter the work area.
- ◆ Wear a dust mask specifically designed for protection against lead paint dust and fumes and ensure that persons within or entering the work area are also protected.
- ◆ Do not eat, drink or smoke in the work area. Do not store any food or drink in the work area.
- ◆ Wash yourself very carefully before eating, drinking or smoking.

**Environment**

- ◆ Remove the paint in such a way that the amount of dust is minimised.
- ◆ Seal the work area with plastic sheeting.
- ◆ Minimise the amount of dust outside the work area.

**Cleaning**

- ◆ Thoroughly vacuum and clean all surfaces in the work area every day.
- ◆ Regularly change the dustbag and filters of the vacuum cleaner.
- ◆ Thoroughly wash any foreign objects exposed to dust before using them again.

**Additional safety instructions for Australia and New Zealand**

- ◆ This appliance is not intended for use by young or infirm persons without supervision. Children must be supervised to ensure they do not play with the appliance.
- ◆ If the supply cord is damaged, it must be replaced by the manufacturer or an authorised Black & Decker Service Centre in order to avoid a hazard.

**Features**

This tool includes some or all of the following features.

- ◆ On/off switch (1)
- ◆ Variable speed control (2)
- ◆ Round base (3)
- ◆ Pointed base (4)
- ◆ Dustbag (5)
- ◆ Louvre attachment (fig. J)

**Assembly**

**Warning!** Make sure that the tool is switched off and unplugged.

**Round base**

With this sanding base, you can use the tool as a random orbit sander (fig. H).

**Fitting and removing the sanding base (fig. A)**

- ◆ Place the sanding base (3) onto the spindle (6).
- ◆ Place the washer (7) onto the spindle.
- ◆ Insert the screw (8) into the hole in the spindle and tighten the screw using the Allen key (9) supplied.
- ◆ To remove the sanding base, remove the screw and washer.

**Fitting sanding sheets (fig. B)**

- ◆ Hold the tool with the sanding base (3) facing upwards.
- ◆ Press the sanding sheet (10) onto the sanding base. The holes in the sheet do not need to line up with the holes in the base.

**Pointed base**

With this sanding base, you can use the tool as a detail sander or an orbital sander.

**Fitting and removing the sanding base (fig. C & D)**

- ◆ Place the sanding base (4) onto the spindle (6). For detail sanding, the pointed end should face forward as in fig. C. For sanding large areas, the pointed end should face to the back as in fig. D.
- ◆ Make sure that the legs of the base locate into the tool.
- ◆ Place the washer (7) onto the spindle.
- ◆ Insert the screw (8) into the hole in the spindle and tighten the screw using the Allen key (9) supplied.
- ◆ To remove the sanding base, remove the screw and washer.

**Fitting sanding sheets (fig. E)**

- ◆ Detach the two diamond-shaped tips (11) from the sanding sheet (12).
- ◆ Hold the tool with the sanding base facing upwards.
- ◆ Place the sanding sheet (12) onto the sanding base, making sure that the holes in the sheet line up with the holes in the base.

The diamond-shaped tip (13) can be reversed and replaced when worn.

- ◆ When the front part of the tip is worn, detach it from the sheet, reverse it and press it onto the sanding base again.
- ◆ When the whole tip is worn, remove it from the sanding base and fit a new tip.

#### Tip of the sanding base (fig. F)

When the sanding base tip (14) or tip holder (15) is worn, it can be reversed or replaced. Spare parts are available from your Black & Decker dealer.

- ◆ Remove the screw (16).
- ◆ Reverse or replace the worn part.
- ◆ Fit and tighten the screw.

#### Louvre attachment (fig. J)

With this attachment you can work in crevices and use the sanding base on both sides.

- ◆ Remove the tip of the sanding base and the tip holder (fig. F).
- ◆ Fit the louvre base (22) over the tip of the pointed base.
- ◆ Secure the louvre base with the screw (21).
- ◆ Stick the main abrasive sheet to the underside of the louvre base. Part of it will stick to the front part of the pointed base.

For sanding down louvre slats on both sides, abrasive paper can be fitted to the upperside of the attachment.

- ◆ Remove the backing paper (20) from the velcro fastener (19).
- ◆ Stick the velcro fastener to the top surface of the louvre attachment.
- ◆ Fit the sanding piece (18) to the velcro fastener.

## Use

**Warning!** Do not cover the ventilation slots when using the tool. Hold the tool as shown in fig. I. Make sure that the sanding base is flat on the workpiece.

#### Switching on and off

- ◆ If the tool has a variable speed control knob (2), set it to the required speed range. As a general rule, use a low speed for polishing and for sanding plastics. Use a high speed for wood and metal.
- ◆ To switch the tool on, press the part of the on/off switch (1) marked 'I'.
- ◆ To switch the tool off, press the part of the on/off switch (1) marked '0'.

#### Automatic brake system (ABS)

This tool has an automatic brake system. When the tool is not on the work surface, this feature keeps the speed of the round base below the speed of the motor. When the tool is switched off, the base will stop very quickly.

#### Connecting a vacuum cleaner

In order to connect a vacuum cleaner to the tool, you need a special adaptor, which is available as an accessory.

#### Emptying the dustbag (fig. G)

The dustbag should be emptied every 10 minutes of use.

- ◆ Hold the tool with the dustbag (5) pointing down.
- ◆ Squeeze the buttons (17) to release the dustbag.
- ◆ Refit the dustbag, letting it click into place.

Do not wash the dustbag.

## Accessories

The performance of your tool depends on the accessory used. Black & Decker and Piranha accessories are engineered to high quality standards and designed to enhance the performance of your tool. By using these accessories you will get the very best from your tool.

## Maintenance

Your tool has been designed to operate over a long period of time with a minimum of maintenance. Continuous satisfactory operation depends upon proper tool care and regular cleaning.

#### Mains plug replacement (U.K. & Ireland only)

If a new mains plug needs to be fitted:

- ◆ Safely dispose of the old plug.
- ◆ Connect the brown lead to the live terminal in the new plug.
- ◆ Connect the blue lead to the neutral terminal.

**Warning!** No connection is to be made to the earth terminal. Follow the fitting instructions supplied with good quality plugs. Recommended fuse: 5 A.

## Protecting the environment



Black & Decker provides a facility for recycling Black & Decker products once they have reached the end of their working life. This service is provided free of charge. To take advantage of this service please return your product to any authorised repair agent who will collect them on our behalf.

You can check the location of your nearest authorised repair agent by contacting your local Black & Decker office at the address indicated in this manual. Alternatively, a list of authorised Black & Decker repair agents and full details of our after-sales service and contacts are available on the Internet at: [www.2helpU.com](http://www.2helpU.com).

**Technical data**

	KA225	KA225EK
Power input	W 170	170
No-load speed	min <sup>-1</sup> 10,500	6,000 - 10,500

**EC declaration of conformity**

Black & Decker declares that these products conform to:  
98/37/EC, 89/336/EEC, 73/23/EEC, EN 50144, EN 55014,  
EN 61000

L<sub>PA</sub> (sound pressure): 77 dB(A), L<sub>WA</sub> (acoustic power) 90 dB(A),  
hand/arm weighted vibration < 2.5 m/s<sup>2</sup>



Kevin Hewitt  
Director of Consumer Engineering  
Spennymoor, County Durham DL16 6JG,  
United Kingdom

**Guarantee**

Black & Decker is confident of the quality of its products and offers an outstanding guarantee. This guarantee statement is in addition to and in no way prejudices your statutory rights. The guarantee is valid within the territories of the Member States of the European Union and the European Free Trade Area.

If a Black & Decker product becomes defective due to faulty materials, workmanship or lack of conformity, within 24 months from the date of purchase, Black & Decker guarantees to replace defective parts, repair products subjected to fair wear and tear or replace such products to ensure minimum inconvenience to the customer unless:

- ◆ The product has been used for trade, professional or hire purposes;
- ◆ The product has been subjected to misuse or neglect;
- ◆ The product has sustained damage through foreign objects, substances or accidents;
- ◆ Repairs have been attempted by persons other than authorised repair agents or Black & Decker service staff.

To claim on the guarantee, you will need to submit proof of purchase to the seller or an authorised repair agent. You can check the location of your nearest authorised repair agent by contacting your local Black & Decker office at the address indicated in this manual. Alternatively, a list of authorised Black & Decker repair agents and full details of our after-sales service and contacts are available on the Internet at:

**[www.2helpU.com](http://www.2helpU.com)**.

## Bestimmungsgemäße Verwendung

Ihr Black & Decker Schleifer wurde zum Schleifen und Polieren von Holz, Metall, Kunststoff und lackierten Oberflächen entwickelt. Dieses Gerät ist nicht für den gewerblichen Einsatz vorgesehen.

## Sicherheitshinweise

- ◆ **Warnung!** Bei der Verwendung elektrischer Geräte sind zum Schutz gegen Feuergefahr, gegen elektrischen Schlag sowie gegen Körper- und Sachschaden grundlegende Sicherheitsmaßnahmen, einschließlich der folgenden Vorschriften, zu beachten.
- ◆ Lesen Sie diese Anleitung gründlich durch, bevor Sie das Gerät verwenden.
- ◆ Bewahren Sie diese Anleitung auf.
- ◆ Ziehen Sie immer den Netzstecker, bevor Sie Einstellungs- oder Wartungsarbeiten durchführen.

### Halten Sie Ihren Arbeitsbereich in Ordnung!

Unordnung im Arbeitsbereich führt zu Unfallgefahren.

### Berücksichtigen Sie Umgebungseinflüsse!

Setzen Sie das Gerät keinem Regen aus. Verwenden Sie das Gerät nicht in einer feuchten oder nassen Umgebung. Sorgen Sie für eine gute Beleuchtung des Arbeitsbereiches. Benutzen Sie das Gerät nicht an Orten, wo Feuergefahr oder Explosionsgefahr besteht, z.B. in der Nähe von brennbaren Flüssigkeiten oder Gasen.

### Halten Sie Kinder fern!

Halten Sie Kinder, Besucher und Tiere dem Arbeitsbereich fern und sorgen Sie dafür, daß sie das Gerät und das Netzkabel nicht berühren.

### Tragen Sie geeignete Arbeitskleidung!

Tragen Sie keine weite Kleidung oder Schmuck, da diese von sich bewegenden Teilen erfaßt werden können. Beim Arbeiten im Freien sind Arbeitshandschuhe und rutschfestes Schuhwerk empfehlenswert. Tragen Sie bei langen Haaren ein Haarnetz.

### Schutzmaßnahmen:

Verwenden Sie immer eine Schutzbrille. Tragen Sie eine Atemschutzmaske, falls die Arbeiten Staub oder Späne erzeugen können. Tragen Sie einen Gehörschutz.

### Schutz vor elektrischem Schlag:

Vermeiden Sie eine Körperberührung mit geerdeten Objekten (z.B. Rohren, Heizkörpern, Herden und Kühlschränken). Die elektrische Sicherheit läßt sich durch Verwendung eines Fehlerstrom-Schutzschalters (30 mA / 30 mS) weiter erhöhen.

### Achten Sie auf einen sicheren Stand!

Achten Sie auf einen sicheren Stand, um in jeder Arbeitsposition das Gleichgewicht zu halten.

### Seien Sie stets aufmerksam!

Konzentrieren Sie sich auf Ihre Arbeit. Gehen Sie vernünftig vor. Verwenden Sie das Gerät nicht, wenn Sie müde sind.

## Sichern Sie das Werkstück!

Benutzen Sie Spannvorrichtungen oder einen Schraubstock, um das Werkstück festzuhalten. Es ist damit sicherer gehalten und ermöglicht die Bedienung des Gerätes mit beiden Händen.

### Schließen Sie Vorrichtungen zur Staubabsaugung an!

Falls Vorrichtungen zur Absaugung oder zum Sammeln von Staub an das Gerät angeschlossen werden können, vergewissern Sie sich, daß diese angeschlossen sind und ordnungsgemäß verwendet werden.

### Lassen Sie keine Schlüssel stecken!

Überprüfen Sie vor dem Einschalten, ob die Schlüssel und Einstellwerkzeuge entfernt sind.

### Verlängerungskabel

Prüfen Sie vor dem Gebrauch das Verlängerungskabel und tauschen Sie es aus, falls es beschädigt ist. Wenn Sie das Gerät im Freien verwenden, verwenden Sie nur Verlängerungskabel, die sich für den Einsatz im Freien eignen. Ein bis zu 30 m langes Black & Decker Verlängerungskabel kann verwendet werden, ohne daß Leistungsverluste entstehen.

### Benutzen Sie das richtige Gerät!

Die bestimmungsgemäße Verwendung ist in dieser Betriebsanleitung beschrieben. Verwenden Sie keine zu schwachen Geräte oder Zubehörteile für schwere Arbeiten. Mit dem richtigen Gerät erzielen Sie eine optimale Qualität und gewährleisten Ihre persönliche Sicherheit. Überlasten Sie das Gerät nicht.

**Warnung!** Das Verwenden anderer als der in dieser Anleitung empfohlenen Vorsatzgeräte und Zubehörteile oder die Ausführung von Arbeiten mit diesem Gerät, die nicht der bestimmungsgemäßen Verwendung entsprechen, kann zu Unfallgefahren führen.

### Kontrollieren Sie Ihr Gerät auf Beschädigungen!

Überprüfen Sie das Gerät und das Netzkabel vor der Arbeit auf Beschädigungen. Überprüfen Sie, ob alle beweglichen Teile richtig montiert sind, ob keine Teile gebrochen sind, ob keine Schutzvorrichtungen und Schalter beschädigt sind, und ob irgendwelche anderen Schäden den einwandfreien Betrieb des Gerätes beeinträchtigen könnten. Vergewissern Sie sich, daß das Gerät ordnungsgemäß funktionieren wird. Benutzen Sie das Gerät nicht, wenn ein Teil defekt ist. Verwenden Sie das Gerät nicht, wenn der Ein-/Aus-Schalter nicht funktioniert. Lassen Sie defekte Teile immer von einer unserer Kundendienstwerkstätten reparieren oder austauschen. Versuchen Sie nie, das Gerät selber zu reparieren.

### Ziehen Sie den Netzstecker!

Ziehen Sie den Netzstecker, wenn Sie das Gerät nicht benutzen, bevor Sie irgendwelche Werkzeuge, Zubehörteile oder Geräteteile auswechseln und bevor Sie irgendwelche Wartungsarbeiten vornehmen.

### Vermeiden Sie ein unbeabsichtigtes Einschalten!

Tragen Sie das Gerät nicht mit dem Finger am Ein-/Aus-Schalter. Vergewissern Sie sich, daß das Gerät ausgeschaltet ist, wenn Sie es an die Stromversorgung anschließen.

## Behandeln Sie das Kabel sorgfältig!

Tragen Sie das Gerät nicht am Kabel und benutzen Sie das Kabel nicht, um den Stecker aus der Steckdose zu ziehen. Schützen Sie das Kabel vor Hitze, Öl und scharfen Kanten.

## Bewahren Sie Ihre Geräte sicher auf!

Unbenutzte Geräte sind an einem trockenen, für Kinder nicht erreichbaren Ort aufzubewahren.

## Pflegen Sie Ihre Geräte mit Sorgfalt!

Halten Sie Schneidwerkzeuge scharf und sauber, um gut und sicher arbeiten zu können. Befolgen Sie die Wartungsvorschriften und die Hinweise für den Werkzeugwechsel. Halten Sie Handgriffe und Schalter trocken, sauber und frei von Öl und Fett.

## Reparaturen:

Dieses Gerät entspricht den einschlägigen Sicherheitsvorschriften. Reparaturen sind nur von autorisierten Fachkräften und mit Original-Ersatzteilen vorzunehmen; andernfalls kann Unfallgefahr für den Betreiber entstehen.

## Elektrische Sicherheit:



Dieses Gerät ist schutzisoliert, daher ist keine Erdleitung erforderlich. Überprüfen Sie stets, ob die Netzspannung der auf dem Typenschild angegebenen Spannung entspricht.

## Zusätzliche Sicherheitshinweise für Schleifer

- ◆ Tragen Sie beim Schleifen immer eine Staubmaske.
- ◆ Entfernen Sie nach dem Schleifen sorgfältig alle Staubreste.
- ◆ Vor dem Einsatz des Geräts bei Werkstücken aus Holz stellen Sie bitte sicher, daß der Staubsack angebracht wurde.
- ◆ Vor dem Einsatz des Geräts bei Werkstücken aus Metall stellen Sie bitte sicher, daß der Staubsack entfernt wurde.
- ◆ Verwenden Sie das Gerät niemals ohne Schleifpapier.
- ◆ Verwenden Sie das Gerät niemals ohne Schleifplatte.

## Schleifen von bleihaltiger Farbe oder MDF

Das Schleifen von bleihaltiger Farbe wird aufgrund der Schwierigkeit, die verunreinigte Luft unter Kontrolle zu halten, nicht empfohlen. Eine Bleivergiftung ist bei Kindern und Schwangeren am gefährlichsten! Gebäude vor Baujahr 1960 wurden in der Vergangenheit möglicherweise mit bleihaltiger Farbe gestrichen. Diese Farbe kann wiederum von weiteren Farbschichten überdeckt sein. Bevor Sie mit der Arbeit beginnen, ist es wichtig, festzustellen, ob die zu schleifende Farbe Blei enthält. Dies kann mit Hilfe eines Test-Kits oder durch einen Dekorateur durchgeführt werden.

## Schutzmaßnahmen

- ◆ Verhindern Sie, daß Kinder oder Schwangere den Arbeitsplatz betreten.
- ◆ Tragen Sie eine spezielle Maske zum Schutz vor Bleifarbstaub und -dämpfen, und stellen Sie sicher, daß auch andere Personen, die den Arbeitsplatz betreten, geschützt sind.

- ◆ Essen, trinken und rauchen Sie nicht am Arbeitsplatz. Bewahren Sie keine Lebensmittel oder Getränke im Arbeitsplatz auf.
- ◆ Waschen Sie sich äußerst gründlich, bevor Sie essen, trinken oder rauchen.

## Umwelt

- ◆ Entfernen Sie die Farbe auf eine solche Weise, daß die Staubmenge möglichst gering gehalten wird.
- ◆ Dichten Sie den Arbeitsbereich mit Kunststoffplanen ab.
- ◆ Halten Sie die Staubmenge außerhalb des Arbeitsbereiches gering.

## Reinigung

- ◆ Saugen Sie täglich sämtliche Flächen im Arbeitsbereich ab und reinigen Sie sie gründlich.
- ◆ Wechseln Sie regelmäßig den Staubbeutel und die Filter des Staubsaugers.
- ◆ Reinigen Sie die dem Staub ausgesetzten Gegenstände gründlich, bevor Sie sie wiederverwenden.

## Merkmale

Dieses Gerät weist einige oder alle der folgenden Merkmale auf.

- ◆ Ein-/Ausschalter (1)
- ◆ Geschwindigkeitsvorwahl (2)
- ◆ Rundplatte (3)
- ◆ Punktplatte (4)
- ◆ Staubsack (5)
- ◆ Spalt-Zusatzgerät (Abb. J)

## Zusammenbau

**Achtung!** Vergewissern Sie sich, daß das Gerät ausgeschaltet ist und der Netzstecker gezogen wurde.

## Rundplatte

Mit dieser Schleifplatte können Sie das Gerät als Exzenterschleifer verwenden (Abb. H).

## Anbringen und Entfernen der Schleifplatte (Abb. A)

- ◆ Setzen Sie die Schleifplatte (3) auf die Spindel (6).
- ◆ Setzen Sie die Unterlegscheibe (7) auf die Spindel.
- ◆ Setzen Sie die Schraube (8) in das Loch in der Spindel, und ziehen Sie die Schraube mit dem mitgelieferten Innensechskantschlüssel (9) an.
- ◆ Um die Schleifplatte zu entfernen, entfernen Sie die Schraube und die Unterlegscheibe.

## Anbringen des Schleifpapiers (Abb. B)

- ◆ Halten Sie das Gerät mit der Schleifplatte (3) nach oben weisend.
- ◆ Setzen Sie das Schleifpapier (10) auf die Schleifplatte.



Die Löcher im Schleifpapier müssen nicht mit den Löchern in der Schleifplatte ausgerichtet sein.

### **Punktplatte**

Mit dieser Schleifplatte können Sie das Gerät als Detail-Schleifer oder als Exzentrerschleifer verwenden.

#### **Anbringen und Entfernen der Schleifplatte (Abb. C & D)**

- ◆ Setzen Sie die Schleifplatte (4) auf die Spindel (6).  
Für Detail-Schleifarbeiten sollte das Punktende gemäß Abb. C nach vorne weisen. Um große Flächen zu schleifen, sollte das Punktende gemäß Abb. D nach hinten weisen.
- ◆ Stellen Sie sicher, daß die Ausleger der Platte im Gerät sitzen.
- ◆ Setzen Sie die Unterlegscheibe (7) auf die Spindel.
- ◆ Setzen Sie die Schraube (8) in das Loch in der Spindel, und ziehen Sie die Schraube mit dem mitgelieferten Innensechskantschlüssel (9) an.
- ◆ Um die Schleifplatte zu entfernen, entfernen Sie die Schraube und die Unterlegscheibe.

#### **Anbringen des Schleifpapiers (Abb. E)**

- ◆ Nehmen Sie die beiden diamantförmigen Spitzen (11) vom Schleifpapier (12) ab.
- ◆ Halten Sie das Gerät mit der Schleifplatte nach oben weisend.
- ◆ Bringen Sie das Schleifpapier (12) auf der Schleifplatte an. Sorgen Sie dafür, daß die Löcher im Schleifpapier mit denen in der Schleifplatte fluchten.

Die diamantförmige Spitze (13) kann umgedreht und erneuert werden, wenn sie verschlissen ist.

- ◆ Ist der vordere Teil der Spitze verschlissen, nehmen Sie die Spitze vom Schleifpapier, drehen Sie sie um und drücken Sie sie wieder auf die Schleifplatte.
- ◆ Ist die gesamte Spitze verschlissen, nehmen Sie sie von der Schleifplatte ab und bringen Sie eine neue Spitze an.

#### **Spitze der Schleifplatte (Abb. F)**

Ist die Schleifplattenspitze (14) oder der Spitzenhalter (15) verschlissen, so können diese Teile umgedreht oder erneuert werden. Ersatzteile sind bei Ihrem Black & Decker Händler erhältlich.

- ◆ Entfernen Sie die Schraube (16).
- ◆ Drehen Sie das verschlissene Teil um oder erneuern Sie es.
- ◆ Bringen Sie die Schraube an und ziehen Sie sie an.

#### **Spalt-Zusatzgerät (Abb. J)**

Mit diesem Zusatzgerät können Sie in Spalten arbeiten und die Schleifplatte beidseitig verwenden.

- ◆ Entfernen Sie die Spitze der Schleifplatte und den Spitzenhalter (Abb. F).
- ◆ Setzen Sie die Spalt-Schleifplatte (22) über die Spitze der Punktplatte.

- ◆ Sichern Sie die Spalt-Schleifplatte mit der Schraube (21).
- ◆ Befestigen Sie das eigentliche Schleifpapier auf der Unterseite der Spalt-Schleifplatte. Ein Teil haftet am vorderen Teil der Punktplatte.

Um Lamellen beidseitig abzuschleifen, kann an der Oberseite des Zusatzgeräts Schleifpapier angebracht werden.

- ◆ Entfernen Sie das Papier (20) von der Klettfix-Befestigung (19).
- ◆ Heften Sie die Klettfix-Befestigung auf die obere Fläche des Spalt-Zusatzgeräts.
- ◆ Setzen Sie das Schleifstück (18) auf die Klettfix-Befestigung.

### **Gebrauch**

**Achtung!** Verdecken Sie beim Gebrauch des Geräts nicht die Ventilationsschlitze. Halten Sie das Werkzeug gemäß Abb. I. Stellen Sie sicher, daß die Schleifplatte flach auf dem Werkstück aufliegt.

#### **Ein- und Ausschalten**

- ◆ Ist das Gerät mit einem Geschwindigkeitsvorwahlknopf (2) ausgestattet, stellen Sie diesen auf die gewünschte Geschwindigkeit ein. Im Allgemeinen gilt - verwenden Sie eine langsame Geschwindigkeit, um Kunststoffe zu polieren und zu schleifen. Verwenden Sie für Holz und Metall eine schnelle Geschwindigkeit.
- ◆ Um das Gerät einzuschalten, drücken Sie auf den mit 'I' gekennzeichneten Teil des Ein-/Ausschalters (1).
- ◆ Um das Gerät auszuschalten, drücken Sie auf den mit '0' gekennzeichneten Teil des Ein-/Ausschalters (1).

#### **Automatisches Bremssystem (ABS)**

Dieses Gerät hat ein automatisches Bremssystem. Befindet sich das Gerät nicht auf der Arbeitsfläche, so wird durch dieses System die Geschwindigkeit der Rundplatte unterhalb der Geschwindigkeit des Motors gehalten. Wird das Gerät ausgeschaltet, so bleibt die Platte sehr schnell stehen.

#### **Anschluß eines Staubsaugers**

Um einen Staubsauger mit dem Gerät zu verbinden, benötigen Sie einen speziellen Adapter, der als Zubehör erhältlich ist.

#### **Leeren des Staubsacks (Abb. G)**

Der Staubsack sollte während des Betriebs alle 10 Minuten entleert werden.

- ◆ Halten Sie das Gerät mit dem Staubsack (5) nach unten weisend.
- ◆ Drücken Sie die Knöpfe (17) zusammen, um den Staubsack zu entriegeln.
- ◆ Bringen Sie den Staubsack wieder an, und lassen Sie ihn in seiner Lage einrasten.

Der Staubsack darf nicht gewaschen werden.

## Zubehör

Die Leistung Ihres Geräts hängt vom verwendeten Zubehör ab. Black & Decker und Piranha Zubehör ist nach hohen Qualitätsnormen gefertigt und dafür ausgelegt, die Leistung Ihres Geräts zu steigern. Durch Verwendung dieses Zubehörs erzielen Sie die größtmögliche Leistung Ihres Geräts.

## Wartung

Ihr Gerät wurde im Hinblick auf eine lange Lebensdauer und einen möglichst geringen Wartungsaufwand entwickelt. Ein dauerhafter, einwandfreier Betrieb setzt eine regelmäßige Reinigung voraus.

## Umweltschutz



Black & Decker nimmt Ihre ausgedienten Black & Decker Geräte gern zurück und sorgt für eine umweltfreundliche Entsorgung. Diese Dienstleistung ist für Sie kostenlos. Um diese Dienstleistung in Anspruch zu nehmen, geben Sie das Gerät bitte bei einer autorisierten Reparaturwerkstatt ab, die für uns die Einsammlung übernimmt.

Die Adresse des zuständigen Büros von Black & Decker finden Sie in dieser Anleitung, darüber läßt sich die nächstgelegene Vertragswerkstatt ermitteln. Außerdem ist eine Liste der Vertragswerkstätten und aller Kundendienststellen von Black & Decker sowie der zuständigen Ansprechpartner im Internet zu finden unter: [www.2helpU.com](http://www.2helpU.com).

## Technische Daten

	KA225	KA225EK
Leistungsaufnahme	W 170	170
Leerlaufdrehzahl	min <sup>-1</sup> 10.500	6.000 - 10.500

## EU-Konformitätserklärung

Black & Decker erklärt hiermit, daß diese Geräte entsprechend folgenden Richtlinien und Normen konzipiert wurden:  
98/37/EWG, 89/336/EWG, 73/23/EWG, EN 50144, EN 55014,  
EN 61000

$L_{pA}$  (Schalldruck): 77 dB(A),  $L_{wA}$  (Schalleistung) 90 dB(A),  
gewichteter Effektivwert der Beschleunigung < 2.5 m/s<sup>2</sup>

Kevin Hewitt  
Director of Consumer Engineering  
Spennymoor, County Durham DL16 6JG,  
United Kingdom

## Garantie

Black & Decker vertraut auf die Qualität der eigenen Geräte und bietet dem Käufer eine außergewöhnliche Garantie. Diese Garantiezusage versteht sich unbeschadet der gesetzlichen Gewährleistungsansprüche und schränkt diese keinesfalls ein. Sie gilt in sämtlichen Mitgliedsstaaten der Europäischen Union und der Europäischen Freihandelszone EFTA.

Tritt innerhalb von 24 Monaten ab Kaufdatum an einem Gerät von Black & Decker ein auf Material- oder Verarbeitungsfehler zurückzuführender Mangel auf, garantiert Black & Decker den Austausch defekter Teile, die Reparatur von Geräten mit üblichem Verschleiß bzw. den Austausch eines mangelhaften Geräts, ohne den Kunden dabei mehr als unbedingt nötig in Anspruch zu nehmen, allerdings vorbehaltlich folgender Ausnahmen:

- ◆ wenn das Gerät gewerblich, beruflich oder im Verleihgeschäft benutzt wurde;
- ◆ wenn das Gerät mißbräuchlich verwendet oder mit mangelnder Sorgfalt behandelt wurde;
- ◆ wenn das Gerät durch irgendwelche Fremdeinwirkung beschädigt wurde;
- ◆ wenn ein unbefugter Reparaturversuch durch anderes Personal als das einer Vertragswerkstatt oder des Black & Decker-Kundendienstes unternommen wurde.

Zur Inanspruchnahme dieser Garantie ist dem Verkäufer bzw. der Vertragswerkstatt ein Kaufnachweis vorzulegen.

Die Adresse des zuständigen Büros von Black & Decker steht in dieser Anleitung, darüber läßt sich die nächstgelegene Vertragswerkstatt ermitteln. Außerdem ist eine Liste der Vertragswerkstätten und aller Kundendienststellen von Black & Decker sowie der zuständigen Ansprechpartner im Internet zu finden unter: [www.2helpU.com](http://www.2helpU.com).

## Utilisation prévue

Votre ponceuse Black & Decker a été spécialement conçue pour poncer et polir le bois, le métal, le plastique et les surfaces peintes. Cet outil a été conçu pour une utilisation domestique uniquement.

## Instructions de sécurité

- ◆ **Attention!** Lors de l'utilisation d'outils électriques, observez les consignes fondamentales de sécurité, y compris celles qui suivent afin de réduire les risques d'incendie, de décharges électriques, de blessures et de dommages matériels.
- ◆ Lisez et observez attentivement les instructions avant d'utiliser l'outil.
- ◆ Conservez ces instructions.
- ◆ Débranchez l'outil avant d'effectuer tout réglage, entretien ou réparation.

### Tenez votre aire de travail propre et bien rangée

Le désordre augmente les risques d'accident.

### Tenez compte des conditions ambiantes

N'exposez pas l'outil à la pluie. N'exposez pas l'outil à l'humidité. Veillez à ce que l'aire de travail soit bien éclairée. N'utilisez pas l'outil s'il existe un risque d'incendie ou d'explosion, par exemple en présence de liquides ou de gaz inflammables.

### Tenez les enfants éloignés

Ne laissez pas les enfants, les visiteurs ou les animaux s'approcher de l'aire de travail ou toucher l'outil ou le câble d'alimentation.

### Portez des vêtements de travail appropriés

Ne pas porter de vêtements flottants ou de bijoux. Ils pourraient être happés par les pièces en mouvement. Lors de travaux à l'extérieur, il est recommandé de porter des gants en caoutchouc et des chaussures à semelle anti-dérapante. Le cas échéant, attachez vos cheveux s'ils sont longs, ou couvrez vous la tête.

### Protection

Portez toujours des lunettes de protection. Portez des lunettes de protection et un masque pour protéger le visage si le travail exécuté produit de la poussière ou des copeaux volants. Portez des protections auditives.

### Protégez-vous des décharges électriques.

Veillez à ce que le corps n'entre pas en contact avec des surfaces reliées à la prise de masse ou de terre (par ex. tuyaux, radiateurs, cuisinières et réfrigérateurs). Utilisez un interrupteur de protection contre les courants de court-circuits à haute sensibilité (30 mA / 30 mS) pour améliorer la sécurité électrique.

### Adoptez une position confortable

Toujours tenir les deux pieds à terre et garder l'équilibre.

### Faites preuve de vigilance

Observez votre travail. Faites preuve de bon sens. Ne pas employer l'outil en cas de fatigue.

## Fixez bien la pièce à travailler

Pour plus de sécurité, fixez la pièce à travailler avec un dispositif de serrage ou un étau. Ainsi, vous aurez les deux mains libres pour manier l'outil.

## Branchez le dispositif d'extraction de poussière.

Si vous disposez de systèmes pour brancher les dispositifs d'extraction et de ramassage de poussière, assurez-vous qu'ils sont bien branchés et qu'ils fonctionnent correctement.

## Enlevez les clés et outils de réglage

Avant de mettre l'outil en marche, retirez les clés et outils de réglage.

## Rallonges

Vérifiez la rallonge avant de l'utiliser et remplacez-la en cas de dommage. Si vous souhaitez utiliser cet outil à l'extérieur, n'utilisez que des rallonges prévues à cet effet. Des rallonges Black & Decker de 30 m de longueur peuvent être utilisées sans perte de puissance.

## Utilisez l'outil adéquat

Le domaine d'utilisation de l'outil est décrit dans le présent manuel. Ne pas utiliser d'outils ou d'accessoires de trop faible puissance pour exécuter des travaux lourds. L'utilisation d'accessoires autres que ceux recommandés dans le présent manuel pourrait entraîner un risque de blessure. Ne forcez pas l'outil.

**Attention!** Utilisez l'outil conformément à sa destination.

## Contrôlez les dommages éventuels de votre outil

Avant d'utiliser l'outil et le câble d'alimentation, vérifiez soigneusement qu'ils ne sont pas endommagés. Vérifiez l'alignement des pièces en mouvement, leur prise et toute rupture de pièces, tout dommage des protections et des interrupteurs et toute autre condition pouvant affecter le fonctionnement de l'outil. Veillez à ce que l'outil fonctionne correctement et qu'il exécute les tâches pour lesquelles il est prévu. N'utilisez pas l'outil si une pièce est défectueuse. Ne pas utiliser l'outil si l'interrupteur marche/arrêt ne fonctionne pas. Faites réparer ou échangez toute pièce endommagée par un service de réparation agréé. Ne tentez jamais de le réparer vous-même.

## Retirez l'outil de la prise

Retirez l'outil de la prise lorsque l'outil n'est pas utilisé, avant de changer toute pièce de l'outil ou tout accessoire et avant de procéder à l'entretien.

## Évitez tout démarrage involontaire

Ne portez pas l'outil avec un doigt sur l'interrupteur marche/arrêt. Assurez-vous que l'outil est en position d'arrêt avant de le brancher.

## Ne tirez pas sur le câble d'alimentation

Ne portez jamais l'outil par le câble et ne tirez pas sur celui-ci pour le débrancher de la prise. Préservez le câble de la chaleur, de l'huile et des arêtes tranchantes.

## Rangez vos outils dans un endroit sûr

Lorsque vous n'utilisez pas vos outils, rangez-les dans un endroit sec, fermé ou élevé, hors de portée des enfants.

### Entretenez vos outils avec soin

Maintenez vos outils affûtés et propres afin de travailler mieux et plus sûrement. Suivez les instructions d'entretien et de changement d'accessoires. Maintenez les poignées et les interrupteurs secs, propres et exempts d'huile et de graisse.

### Réparations

Cet outil est conforme aux conditions de sécurité requises. Les réparations devront uniquement être effectuées par des personnes qualifiées utilisant des pièces de rechange d'origine ; en cas contraire, cela pourrait être très dangereux pour l'utilisateur.

### Sécurité électrique



L'outil est doublement isolé ; par conséquent, une prise de terre n'est pas nécessaire. Vérifiez si la tension secteur correspond à la tension indiquée sur la plaque d'identification.

### Instructions de sécurité supplémentaires pour ponceuses

- ◆ Portez toujours un masque contre la poussière lorsque vous poncez.
- ◆ Enlevez soigneusement toute poussière après le ponçage.
- ◆ Nous vous conseillons de mettre en place le sac à poussière avant d'utiliser votre outil sur le bois.
- ◆ Vérifiez que vous avez bien démonté le sac à poussière avant d'utiliser votre outil sur le métal.
- ◆ N'utilisez jamais l'outil sans feuille de ponçage.
- ◆ N'utilisez jamais l'outil sans base de ponçage.

### Ponçage de la peinture à base de plomb ou MDF.

Il n'est pas conseillé de poncer la peinture à base de plomb car il est très difficile de contrôler les émanations de poussière polluée. L'empoisonnement au plomb peut être particulièrement grave pour les enfants et les femmes enceintes. Tous les immeubles construits avant 1960 sont susceptibles d'avoir été peints avec de la peinture au plomb. Cette peinture doit être recouverte de couches de peinture sans plomb. Avant de commencer le travail, il est important de déterminer si la peinture à poncer contient du plomb. Pour ce faire, utilisez un kit de test ou consultez un décorateur professionnel.

### Protection

- ◆ Ne laissez pas les enfants ou les femmes enceintes entrer dans la zone de travail.
- ◆ Portez un masque contre la poussière spécialement conçu pour vous protéger de la poussière des peintures à base de plomb et des fumées et veillez à ce que les personnes se trouvant à l'intérieur de la zone de travail ou y pénétrant soient également protégées.
- ◆ Ne mangez pas, ne buvez pas ou ne fumez pas dans la zone de travail. Ne conservez pas de nourritures ou de boissons dans la zone de travail.

- ◆ Lavez-vous très soigneusement avant de manger, de boire ou de fumer.

### Environnement

- ◆ Enlevez la peinture en prenant soin que la quantité de poussière dégagée soit la plus petite possible.
- ◆ Isolez la zone de travail avec des feuilles de plastique.
- ◆ Faites en sorte de minimiser la quantité de poussière dégagée à l'extérieur de la zone de travail.

### Nettoyage

- ◆ Aspirez et nettoyez soigneusement toutes les surfaces de la zone de travail tous les jours.
- ◆ Changez régulièrement le sac à poussière et les filtres de l'aspirateur.
- ◆ Lavez soigneusement tous les corps étrangers exposés à la poussière avant de les utiliser à nouveau.

### Caractéristiques

Cet outil comprend toutes ou certaines des caractéristiques suivantes.

- ◆ Interrupteur marche/arrêt (1)
- ◆ Commande de variation de vitesse (2).
- ◆ Base arrondie (3)
- ◆ Base pointue (4)
- ◆ Sac à poussière (5)
- ◆ Extension persienne (fig. J)

### Montage

**Attention!** Assurez-vous que l'outil est bien éteint et débranché.

#### Base arrondie

Cette base de ponçage vous permet d'utiliser l'outil comme une ponceuse excentrique (fig. H)

#### Mise en place et retrait de la base de ponçage (fig. A)

- ◆ Placez la base de ponçage (3) sur l'arbre (6)
- ◆ Placez la rondelle (7) sur l'arbre.
- ◆ Insérez la vis (8) dans le trou de l'arbre et serrez la vis avec la clé Allen (9) fournie.
- ◆ Pour démonter la base de ponçage, dévissez la vis et la rondelle.

#### Mise en place des feuilles de ponçage (fig. B)

- ◆ Tenez l'outil base de ponçage (3) vers le haut.
- ◆ Placez la feuille de ponçage (10) sur la base de ponçage. Les trous de la feuille ne doivent pas nécessairement être alignés avec les orifices de la base.

#### Base pointue

Cette base de ponçage vous permet d'utiliser l'outil comme une ponceuse de détail ou une ponceuse vibrante.

**Mise en place et retrait de la base de ponçage (fig. C & D)**

- ◆ Placez la base de ponçage (4) sur l'arbre (6) Pour de ponçage de détail, l'extrémité pointue doit être placée pointe vers l'avant comme dans la fig. C. Pour le ponçage de grandes surfaces, l'extrémité pointue doit être placée vers l'arrière comme dans la fig. D.
- ◆ Vérifiez que les montants de la base sont bien placés dans l'outil.
- ◆ Placez la rondelle (7) sur l'arbre.
- ◆ Insérez la vis (8) dans le trou de l'arbre et serrez la vis avec la clé Allen (9) fournie.
- ◆ Pour démonter la base de ponçage, dévissez la vis et la rondelle.

**Mise en place des feuilles de ponçage (fig. E)**

- ◆ Détachez les deux pointes en forme de losange (11) de la feuille de ponçage (12).
- ◆ Tenez l'outil base de ponçage vers le haut.
- ◆ Placez la feuille (12) sur la base de ponçage, en veillant à ce que les trous de la feuille coïncident avec les trous de la base.

La pointe en forme de losange (13) peut être inversée et remplacée lorsqu'elle est usée.

- ◆ Lorsque la partie avant de la pointe est usée, détachez-la de la feuille, retournez-la et enfoncez-la à nouveau sur la base.
- ◆ Lorsque la pointe en entier est usée, retirez-la de la base de ponçage et installez une nouvelle pointe.

**Pointe de la base de ponçage (fig. F)**

Lorsque la pointe de la base de ponçage (14) ou le support de pointe (15) sont usés, ils peuvent être inversés ou remplacés. Vous pouvez vous procurer les pièces de rechange auprès des détaillants Black & Decker.

- ◆ Enlevez la vis (16).
- ◆ Inversez ou remplacez la pièce usée.
- ◆ Mettez la vis en place et serrez-la.

**Extension persienne (fig. J)**

Avec cet accessoire vous pouvez travailler dans les creux et utiliser la base de ponçage des deux côtés.

- ◆ Démontez la pointe de la base de ponçage et le support de pointe (fig. F).
- ◆ Installez la base de l'extension persienne (22) sur la pointe de la base pointue.
- ◆ Fixez l'extension persienne avec la vis (21).
- ◆ Collez la feuille abrasive principale sous le dessous de la base de l'extension persienne. Une partie de cette feuille se collera sur la partie avant de la base pointue.

Pour poncer les lamelles de persiennes sur les deux côtés, vous pouvez placer du papier abrasif sur le dessus de l'accessoire.

- ◆ Enlevez le papier de ponçage (20) du velcro (19).

- ◆ Collez le velcro sur le haut de l'extension persienne.
- ◆ Appliquez la pièce de ponçage (18) sur le velcro.

**Utilisation**

**Attention!** Prenez soin de ne pas boucher les orifices de ventilation lorsque vous utilisez l'outil. Tenez l'outil comme indiqué dans la fig. I. Assurez-vous que la base de ponçage est bien posée à plat sur la pièce à travailler.

**Mise en marche et arrêt**

- ◆ Si l'outil est pourvu d'un bouton de commande de variation de vitesse (2), réglez-le sur la gamme de vitesse voulue. En règle générale il est conseillé d'utiliser la vitesse lente pour polir et poncer le plastique. Utilisez la vitesse rapide pour le bois et le métal.
- ◆ Pour allumer l'outil, appuyez sur la partie marquée 'I' de l'interrupteur marche/arrêt (1).
- ◆ Pour éteindre l'outil, appuyez sur la partie marquée 'O' de l'interrupteur marche/arrêt (1).

**Système de freinage automatique (ABS)**

Cet outil comporte un système de freinage automatique. Lorsque l'outil n'est pas sur le plan de travail, cette fonction permet de faire fonctionner le disque à une vitesse inférieure à celle du moteur. Lorsque vous éteignez l'outil, le disque s'arrête très rapidement.

**Branchement d'un aspirateur.**

Pour brancher un aspirateur sur l'outil, vous aurez besoin d'un adaptateur spécial disponible en accessoire.

**Comment vider le sac à poussières (fig. G)**

Le sac à poussières doit être vidé toutes les 10 minutes.

- ◆ Tenez l'outil en dirigeant le sac à poussière (5) vers le bas.
- ◆ Appuyez sur les boutons (17) pour démonter le sac à poussière.
- ◆ Remettez le sac en place, jusqu'à ce qu'il "clique".

Ne lavez pas le sac à poussière.

**Accessoires**

Les performances de votre outil dépendent de l'accessoire que vous utilisez. Les accessoires Black & Decker et Piranha sont conçus selon les normes de haute qualité pour améliorer les performances de votre outil. En utilisant ces accessoires, vous obtiendrez les meilleurs résultats de votre outil.

**Entretien**

Votre outil a été conçu pour fonctionner pendant longtemps avec un minimum d'entretien. Un fonctionnement continu satisfaisant dépend d'un nettoyage régulier et d'un entretien approprié de l'outil.

## Protection de l'environnement



Black & Decker fournit un dispositif permettant de recycler les produits Black & Decker lorsqu'ils ont atteint la fin de leur cycle de vie. Ce service est gratuit. Pour pouvoir profiter de ce service, veuillez retourner votre produit à un réparateur agréé qui se chargera de le collecter pour nous.

Pour connaître l'adresse du réparateur agréé le plus proche de chez vous, contactez le bureau Black & Decker à l'adresse indiquée dans ce manuel. Vous pourrez aussi trouver une liste des réparateurs agréés de Black & Decker et de plus amples détails sur notre service après-vente sur le site Internet à l'adresse suivante : **www.2helpU.com**.

### Caractéristiques techniques

	KA225	KA225EK
Puissance absorbée	W 170	170
Vitesse à vide	min <sup>-1</sup> 10.500	6.000 - 10.500

### Déclaration de conformité CE

Black & Decker déclare que ces outils sont conformes aux normes: 98/37/CEE, 89/336/CEE, 73/23/CEE, EN 50144, EN 55014, EN 61000

$L_{pA}$  (pression acoustique): 77 dB(A),  $L_{WA}$  (puissance acoustique) 90 dB(A), niveau de vibration main/bras < 2.5 m/s<sup>2</sup>

Kevin Hewitt  
 Directeur du Développement  
 Spennymoor, County Durham DL16 6JG,  
 Royaume-Uni

## Garantie

Black & Decker est confiant dans la qualité de ses produits et vous offre une garantie très étendue. Ce certificat de garantie est un document supplémentaire et ne peut en aucun cas se substituer à vos droits légaux. La garantie est valable sur tout le territoire des Etats Membres de l'Union Européenne et de la Zone de Libre Echange Européenne.

Si un produit Black & Decker s'avère défectueux en raison de matériaux en mauvaises conditions, d'une erreur humaine, ou d'un manque de conformité dans les 24 mois suivant la date d'achat, Black & Decker garantit le remplacement des pièces défectueuses, la réparation des produits usés ou cassés ou remplace ces produits à la convenance du client, sauf dans les circonstances suivantes :

- ◆ Le produit a été utilisé dans un but commercial, professionnel, ou a été loué.
- ◆ Le produit a été mal utilisé ou avec négligence.
- ◆ Le produit a subi des dommages à cause d'objets étrangers, de substances ou à cause d'accidents.
- ◆ Des réparations ont été tentées par des techniciens ne faisant pas partie du service technique de Black & Decker.

Pour avoir recours à la garantie, il est nécessaire de fournir une preuve d'achat au vendeur ou à un réparateur agréé. Pour connaître l'adresse du réparateur agréé le plus proche de chez vous, contactez le bureau Black & Decker à l'adresse indiquée dans ce manuel. Vous pourrez aussi trouver une liste des réparateurs agréés de Black & Decker et de plus amples détails sur notre service après-vente sur le site Internet à l'adresse suivante : **www.2helpU.com**.

## Uso previsto

La levigatrice Black & Decker è stata progettata per levigare e lucidare superfici in legno, metallo, plastica e verniciate. Questo utensile è stato progettato per il mercato di consumo.

## Istruzioni di sicurezza

- ◆ **Attenzione!** Quando si impiegano utensili alimentati elettricamente, per ridurre il rischio di incendio, di scosse elettriche e danni a persone e cose è necessario seguire sempre delle precauzioni di sicurezza basilari, incluso le seguenti:
- ◆ Prima di adoperare l'utensile, leggere attentamente le istruzioni di cui al presente manuale.
- ◆ Conservare queste istruzioni per utilizzarle in futuro.
- ◆ Prima di eseguire interventi di manutenzione, assistenza o delle regolazioni, estrarre la spina dalla presa.

### Tenere pulita l'area di lavoro

Ambienti e banchi di lavoro in disordine possono essere causa d'incidenti.

### Tener presenti le caratteristiche dell'ambiente di lavoro

Non lasciare l'utensile sotto la pioggia. Non usare l'utensile in ambienti carichi di umidità. Tenere ben illuminata l'area di lavoro. Non usare l'utensile quando vi sia rischio di provocare un incendio o una esplosione, per es. in luoghi con atmosfera gassosa o infiammabile.

### Tenere i bambini lontani dall'area di lavoro

Non permettere a bambini, altre persone o animali di avvicinarsi alla zona di lavoro, toccare l'utensile o il cavo di alimentazione.

### Usare il vestiario appropriato

Evitare l'uso di abiti svolazzanti, catenine, ecc. in quanto potrebbero rimanere impigliati nelle parti mobili dell'utensile. Lavorando all'aperto indossare guanti di gomma e scarpe con soles antiscivolo. Raccogliere i capelli se si portano lunghi.

### Protezione personale

Indossate occhiali di sicurezza. Indossate una mascherina contro la polvere ogni volta che l'uso dell'utensile provochi polvere o schegge. Indossate cuffie acustiche.

### Fare attenzione alle scosse elettriche

Evitare il contatto con le superfici messe a terra (ad esempio tubi, radiatori, cuocitori e refrigeratori). La sicurezza elettrica può essere ulteriormente ampliata utilizzando un dispositivo a corrente residua (RCD) ad alta sensibilità (30 mA / 30 mS).

### Non sbilanciarsi

Mantenere sempre un buon equilibrio evitando posizioni malsicure.

### Stare sempre attenti

Prestare attenzione a quanto si sta facendo. Usare il proprio buon senso. Non utilizzare l'utensile quando si è stanchi.

### Bloccare il pezzo da lavorare

Usare pinze o morse per bloccare il pezzo da lavorare. Ciò aumenta la sicurezza e consente di mantenere entrambe le mani libere per operare meglio.

## Connettere l'apparecchiatura aspirapolvere

Se sono forniti i dispositivi per la connessione della macchina aspirazione e raccolta della polvere, verificare che vengano collegati e utilizzati correttamente.

### Non lasciare sull'utensile chiavi o strumenti di misura

Prima di mettere in funzione l'utensile abbiate cura di togliere chiavi e altri strumenti.

### Prolunghe

Ispezionare la prolunga prima dell'uso e sostituirla se è danneggiata. Quando l'utensile viene impiegato all'esterno, usare unicamente le prolunghe per uso esterno. È possibile adoperare una prolunga Black & Decker fino a 30 m senza perdita di potenza.

### Adoperare l'utensile adatto alla situazione

L'utilizzo previsto è quello indicato nel presente manuale.

Non forzare utensili e accessori di potenza limitata impiegandoli per lavori destinati ad utensili di maggiore potenza. Non forzare l'utensile.

**Attenzione!** L'uso di accessori o attrezzature diversi o l'impiego del presente utensile per scopi diversi da quelli indicati nel presente manuale d'uso comportano il rischio di infortuni.

### Controllare che non vi siano parti danneggiate

Prima dell'uso, ispezionare accuratamente l'utensile e il cavo elettrico per rilevare eventuali danni. Controllate se ci sono parti non allineate o parti mobili con gioco, pezzi rotti, danni alle protezioni o agli interruttori e qualsiasi altra condizione che possa ripercuotere nel funzionamento dell'utensile.

Accertare che l'utensile funzioni come previsto e che venga impiegato per lo scopo per cui è stato progettato. Non usate l'utensile se presenta elementi danneggiati o difettosi.

Non impiegare l'utensile se non è possibile accenderlo e spegnerlo mediante l'interruttore. Eventuali componenti difettosi o danneggiati vanno sostituiti o riparati da un tecnico autorizzato. Non tentare mai di effettuare delle riparazioni.

### Estrarre la spina dalla presa di alimentazione

Estrarre la spina dalla presa di alimentazione quando l'utensile non è in uso, o prima di cambiare pezzi, accessori o complementi o prima di eseguire lavori di manutenzione.

### Evitate di avviare l'utensile quando non è necessario

Non portate l'utensile con il dito sull'interruttore. Prima di collegare l'utensile alla presa, verificare che sia spento.

### Non forzate il cavo di collegamento elettrico

Non sostenere mai l'utensile mediante il cavo né tirare quest'ultimo per estrarne la spina dalla presa. Mantenete il cavo lontano da fonti di calore, olio e spigoli taglienti.

### Conservazione dell'utensile dopo l'uso

Quando non vengono usati, gli utensili vanno conservati in un luogo asciutto e inaccessibile (sottochiave o in alto), fuori dalla portata dei bambini.

### Mantenere l'utensile con cura

Mantenere gli utensili da taglio affilati e puliti in modo da ottenere una miglior e più sicura resa. Seguire le istruzioni di manutenzione e cambio di accessori.

Mantenere le impugnature e gli interruttori asciutti, puliti e senza tracce di olio o grassi.

### Riparazioni

Questo utensile è conforme ai relativi requisiti di sicurezza. Le riparazioni devono essere eseguite soltanto da personale qualificato e con pezzi di ricambio originali, per evitare di esporre gli utenti a considerevoli rischi.

### Sicurezza elettrica



Il doppio isolamento di cui è provvisto l'utensile rende superfluo il filo di terra. Controllare sempre che la tensione di alimentazione corrisponda a quella indicata sulla targhetta.

### Ulteriori precauzioni di sicurezza per le levigatrici

- ◆ Quando si leviga indossare sempre una mascherina.
- ◆ Dopo la levigazione, rimuovere tutta la polvere.
- ◆ Prima di utilizzare l'utensile su pezzi di legno, controllare di avere installato il sacchetto raccogli-polvere.
- ◆ Prima di utilizzare l'utensile su pezzi di metallo, controllare di avere smontato il sacchetto raccogli-polvere.
- ◆ Non utilizzare mai l'attrezzo senza la carta vetrata.
- ◆ Non utilizzare mai l'attrezzo senza la piastra di levigatura.

### Levigatura di vernici a base di piombo o MDF

Si suggerisce di non levigare le superfici rivestite di vernice a base di piombo data la difficoltà di controllare le polveri contaminate. L'avvelenamento da piombo è pericoloso soprattutto per i bambini e le donne in gravidanza. Tutti gli edifici la cui costruzione risale a prima del 1960 possono essere stati pitturati con vernice contenente piombo ricoperta in seguito con successivi strati di vernice. Prima di iniziare a lavorare è importante determinare se la vernice da levigare contiene o meno piombo. A questo scopo è possibile utilizzare un kit di prova oppure richiedere l'intervento di uno stuccatore professionista.

### Protezione personale

- ◆ Non consentire a bambini o donne in gravidanza di entrare nell'area di lavoro.
- ◆ Indossare una mascherina di protezione specifica per fumi e polveri di vernice di piombo e verificare che anche le persone presenti o in arrivo nell'area di lavoro siano adeguatamente protette.
- ◆ Non mangiare, bere o fumare nell'area di lavoro. Non conservare alimenti o bevande nell'area di lavoro.
- ◆ Lavarsi con cura prima di mangiare, bere o fumare.

### Ambiente

- ◆ La vernice deve essere rimossa in modo da ridurre al minimo la polvere che si produce.
- ◆ Sigillare l'area di lavoro con una copertura di plastica.

- ◆ Ridurre al minimo la quantità di polvere all'esterno dell'area di lavoro.

### Pulizia

- ◆ Utilizzare un aspirapolvere e pulire tutte le superfici dell'area di lavoro ogni giorno.
- ◆ Sostituire con regolarità i filtri e il sacchetto raccogli-polvere dell'aspirapolvere.
- ◆ Prima di riutilizzarlo, lavare a fondo qualsiasi oggetto estraneo esposto alle polveri.

### Funzioni

Sull'utensile sono presenti tutte le seguenti funzioni, o alcune di esse.

- ◆ Interruttore on/off (1)
- ◆ Comando per il cambio di velocità (2)
- ◆ Base circolare (3)
- ◆ Base sagomata (4)
- ◆ Sacchetto raccogli-polvere (5)
- ◆ Piastra per persiane (fig. J)

### Montaggio

**Attenzione!** Verificare che l'utensile sia spento e disinserito dalla presa.

#### Base circolare

Con questa base la levigatrice può essere utilizzata come levigatrice rotorbitale (fig. H).

#### Inserimento ed estrazione della base di levigatura (fig. A)

- ◆ Collocare la base di levigatura (3) sull'alberino (6).
- ◆ Collocare la rondella (7) sull'alberino.
- ◆ Inserire la vite (8) nel foro sull'alberino e serrarla con la chiave Allen (9) in dotazione.
- ◆ Per asportare la base di levigatura, estrarre la vite e la rondella.

#### Inserimento dei fogli di carta vetrata (fig. B)

- ◆ Mantenere l'attrezzo con la base di levigatura (3) rivolta verso l'alto.
- ◆ Premere il foglio di carta vetrata (10) sulla base di levigatura. I fori del foglio non devono essere necessariamente allineati con quelli della base.

#### Base sagomata

Con questa base, la levigatrice può essere utilizzata come levigatrice di precisione o a rotazione circolare.



### Inserimento ed estrazione della base di levigatura (fig. C & D)

- ◆ Collocare la base di levigatura (4) sull'alberino (6). Per la levigatura di precisione, l'estremità appuntita deve essere rivolta in avanti, come mostra la fig. C. Per la levigatura di aree estese, l'estremità appuntita deve essere rivolta verso il lato posteriore, come mostra la fig. D.
- ◆ Verificare che i piedini della base siano alloggiati nell'utensile.
- ◆ Collocare la rondella (7) sull'alberino.
- ◆ Inserire la vite (8) nel foro sul mandrino e serrarla con la chiave Allen (9) in dotazione.
- ◆ Per asportare la base di levigatura, estrarre la vite e la rondella.

### Inserimento dei fogli di carta vetrata (fig. E)

- ◆ Staccare le due punte romboidali (11) dal foglio di carta vetrata (12).
- ◆ Mantenere l'attrezzo con la base di levigatura rivolta verso l'alto.
- ◆ Collocare il foglio di carta vetrata (12) sulla base di levigatura, accertando che i fori del foglio coincidano con i fori della base.

La punta romboidale (13) usurata può essere girata e sostituita quando è del tutto consumata.

- ◆ Quando la parte anteriore della punta è consumata, staccarla dal foglio, girarla e premerla di nuovo sulla base di levigatura.
- ◆ Quando l'intera punta è consumata, smontarla dalla base di levigatura ed installarne una nuova.

### Punta della base di levigatura (fig. F)

Quando la punta della base di levigatura (14) o il relativo supporto (15) sono usurati, possono essere girati o sostituiti. Le parti di ricambio sono disponibili presso il concessionario Black & Decker.

- ◆ Rimuovere la vite (16).
- ◆ Girare o sostituire il pezzo usurato.
- ◆ Inserire e serrare la vite.

### Piastra per persiane (fig. J)

Con questo accessorio è possibile levigare tra le fessure delle persiane e utilizzare la base di levigatura su entrambi i lati.

- ◆ Rimuovere la punta della base di levigatura ed il portapunta (fig. F).
- ◆ Installare la piastra per persiane (22) sopra la punta della base sagomata.
- ◆ Fissare con la vite (21) piastra per persiane.
- ◆ Fare aderire il foglio abrasivo principale sul lato inferiore della piastra per persiane. Parte di esso aderirà alla parte anteriore della base sagomata.

Per levigare lungo i listelli delle persiane su ambo i lati, la carta abrasiva può essere collocata sul lato superiore dell'attacco.

- ◆ Estrarre la carta di supporto (20) dal fermo in velcro (19).
- ◆ Fare aderire il fermo in velcro sulla superficie superiore della piastra per persiane.
- ◆ Installare il pezzo di levigatura (18) sul fermo in velcro.

### Uso

**Attenzione!** Non ostruire le prese di ventilazione quando si adopera l'attrezzo. L'attrezzo va mantenuto come mostra la fig. I. Verificare che la base di levigatura poggi piatta sul pezzo da lavorare.

### Accensione e spegnimento

- ◆ Se l'utensile è dotato di manopola per il controllo della velocità (2), impostarla sulla velocità necessaria. Come regola generale, utilizzare la bassa velocità per lucidare e per levigare materie plastiche. Utilizzare l'alta velocità per il legno e il metallo.
- ◆ Per accendere l'utensile, premere l'interruttore on/off (1) sul lato con la 'I'.
- ◆ Per spegnere l'utensile, premere l'interruttore on/off (1) sul lato con la 'O'.

### Sistema automatico di frenatura (ABS)

Questo attrezzo è provvisto di sistema automatico di frenatura. Quando l'attrezzo non è sulla superficie da lavorare, questa opzione mantiene la velocità della base circolare al di sotto della velocità del motore. Quando l'attrezzo viene spento, la base si ferma molto rapidamente.

### Connessione di un aspirapolvere

Per collegare un aspirapolvere all'attrezzo è necessario uno speciale adattatore, disponibile come accessorio.

### Svuotamento del sacchetto raccogli-polvere (fig. G)

Durante l'uso, il sacchetto raccogli-polvere va svuotato ogni 10 minuti.

- ◆ Mantenere l'attrezzo con il sacchetto raccogli-polvere (5) rivolto verso il basso.
- ◆ Premere i pulsanti (17) per liberare il sacchetto.
- ◆ Reinstallare il sacchetto raccogli-polvere e farlo scattare in posizione.

Non lavare il sacchetto raccogli-polvere.

## Accessori

Le prestazioni dell'utensile dipendono dall'accessorio usato. Gli accessori Black & Decker e Piranha, che sono prodotti di altissima qualità, sono stati progettati per ottimizzare la resa dell'utensile. Quando si scelgono questi accessori l'utensile offre prestazioni eccellenti.

## Manutenzione

Questo utensile è stato progettato per funzionare a lungo con un minimo di manutenzione. La continuità e l'alto livello delle prestazioni dipendono dall'adeguata cura dell'utensile e dalla pulizia sistematica.

## Protezione dell'ambiente



Black & Decker offre ai suoi clienti la possibilità di riciclare i prodotti Black & Decker che hanno esaurito la loro vita di servizio. Il servizio viene offerto gratuitamente. Per utilizzarlo, è sufficiente restituire il prodotto a qualsiasi tecnico autorizzato, incaricato della raccolta per conto dell'azienda.

Per individuare il tecnico autorizzato più vicino, rivolgersi alla sede Black & Decker locale, presso il recapito indicato nel presente manuale. Altrimenti un elenco completo di tutti i tecnici autorizzati Black & Decker e i dettagli completi sui contatti e i servizi post-vendita sono disponibili su Internet presso: [www.2helpU.com](http://www.2helpU.com).

## Dati tecnici

	KA225	KA225EK
Potenza assorbita	W 170	170
Velocità senza carico	min <sup>-1</sup> 10.500	6.000 - 10.500

## Dichiarazione CE di conformità

Black & Decker dichiara che questi utensili sono stati costruiti in conformità a: 98/37/CEE, 89/336/CEE, 73/23/CEE, EN 50144, EN 55014, EN 61000  
 $L_{pA}$  (rumorosità): 77 dB(A),  $L_{WA}$  (potenza sonora) 90 dB(A),  
 vibrazioni mano-braccio < 2.5 m/s<sup>2</sup>

Kevin Hewitt  
 Direttore di Ricerca e Sviluppo  
 Spennymoor, County Durham DL16 6JG,  
 United Kingdom

## Garanzia

Certa della qualità dei suoi prodotti, Black & Decker offre una garanzia eccezionale. Il presente certificato di garanzia è complementare ai diritti statutari e non li pregiudica in alcun modo. La garanzia è valida entro il territorio degli Stati membri dell'Unione Europea e dell'EFTA (European Free Trade Area).

Se un prodotto Black & Decker risulta difettoso per qualità del materiale, della costruzione o per mancata conformità entro 24 mesi dalla data di acquisto, Black & Decker garantisce la sostituzione delle parti difettose, provvede alla riparazione dei prodotti se ragionevolmente usurati oppure alla loro sostituzione, in modo da ridurre al minimo il disagio del cliente a meno che:

- ◆ Il prodotto non sia stato destinato ad usi commerciali, professionali o al noleggio;
- ◆ Il prodotto non sia stato usato in modo improprio o scorretto;
- ◆ Il prodotto non abbia subito danni causati da oggetti o sostanze estranee oppure incidenti;
- ◆ Il prodotto non abbia subito tentativi di riparazione non effettuati da tecnici autorizzati né dall'assistenza Black & Decker.

Per attivare la garanzia è necessario esibire la prova comprovante l'acquisto al venditore o al tecnico autorizzato. Per individuare il tecnico autorizzato più vicino, rivolgersi alla sede Black & Decker locale, presso il recapito indicato nel presente manuale. Altrimenti un elenco completo di tutti i tecnici autorizzati Black & Decker e i dettagli completi sui contatti e i servizi post-vendita sono disponibili su Internet presso: [www.2helpU.com](http://www.2helpU.com).

## Gebruik volgens bestemming

Uw Black & Decker schuurmachine is ontworpen voor het schuren en polijsten van hout, metaal, kunststof en geverfde oppervlakken. Deze machine is uitsluitend bedoeld voor consumentengebruik.

## Veiligheidsvoorschriften

- ◆ **Waarschuwing!** Bij het gebruik van elektrische machines dienen ter bescherming tegen brandgevaar, elektrische schokken, letsel en materiële schade altijd gepaste veiligheidsmaatregelen in acht te worden genomen, waaronder de volgende veiligheidsvoorschriften.
- ◆ Lees de gebruiksaanwijzing aandachtig door voordat u met de machine gaat werken.
- ◆ Bewaar deze instructies zorgvuldig!
- ◆ Neem de stekker uit het stopcontact alvorens instellingen, reparaties of onderhoudswerkzaamheden uit te voeren.

### Zorg voor een opgeruimde werkomgeving

Een rommelige werkomgeving leidt tot ongelukken.

### Houd rekening met omgevingsinvloeden

Stel de machine niet bloot aan regen. Gebruik de machine niet in een vochtige of natte omgeving. Zorg dat de werkomgeving goed is verlicht. Gebruik de machine niet op plaatsen waar brand- of explosiegevaar bestaat, b.v. in de buurt van brandbare vloeistoffen of gassen.

### Houd kinderen uit de buurt

Houd kinderen, bezoekers en dieren buiten het werkgebied en laat ze de machine of de elektriciteitskabel niet aanraken.

### Draag geschikte werkkleding

Draag geen wijde kleding of loshangende sieraden. Deze kunnen door de bewegende delen worden gegrepen. Draag bij het werken buitenshuis bij voorkeur rubber werkhandschoenen en schoenen met profielzolen. Houd lang haar bijeen.

### Persoonlijke bescherming

Draag altijd een veiligheidsbril. Draag een gezichts- of stofmasker bij werkzaamheden waarbij stofdeeltjes vrijkomen. Draag gehoorbescherming.

### Bescherming tegen elektrische schokken

Voorkom aanraking van geaarde oppervlakken (bijv. buizen, radiatoren, fornuizen en koelkasten). Elektrische veiligheid kan verder worden verbeterd met behulp van een hooggevoelige (30 mA / 30 mS) reststroomschakelaar (RCD).

### Zorg voor een veilige houding

Zorg altijd voor een juiste, stabiele houding.

### Blijf voortdurend opletten

Houd uw aandacht bij uw werk. Ga met verstand te werk. Gebruik de machine niet als u niet geconcentreerd bent.

### Klem het werkstuk goed vast

Gebruik klemmen of een bankschroef om het werkstuk te fixeren. Dit is veiliger, bovendien kan de machine dan met beide handen worden bediend.

## Sluit de uitrusting van de stofafvoer aan

Indien hulpmiddelen zijn meegeleverd voor de aansluiting van stofafvoer en voorzieningen voor stofopvang, zorg dan dat deze zijn aangesloten en naar behoren worden gebruikt.

## Verwijder sleutels en hulpgereedschappen

Controleer vóór het inschakelen altijd of sleutels en andere hulpgereedschappen zijn verwijderd.

## Verlengsnoeren

Inspecteer voor gebruik het verlengsnoer. Vervang het snoer indien het beschadigd is. Maak bij gebruik buitenshuis uitsluitend gebruik van verlengsnoeren die geschikt zijn voor gebruik buitenshuis. Een Black & Decker verlengsnoer met een lengte tot 30 m kan worden gebruikt zonder verlies van vermogen.

## Gebruik de juiste machine

Het gebruik volgens bestemming is beschreven in deze handleiding. Gebruik geen te lichte machine of hulpstukken voor te zwaar werk. De machine werkt beter en veiliger indien u deze gebruikt voor het beoogde doel. Overbelast de machine niet.

**Waarschuwing!** Gebruik ter voorkoming van lichamelijk letsel uitsluitend de in deze gebruiksaanwijzing aanbevolen accessoires en hulpstukken. Gebruik de machine uitsluitend volgens bestemming.

## Controleer de machine op beschadigingen

Controleer de machine voor gebruik op schade. Controleer of alle bewegende delen correct gemonteerd zijn, of er geen onderdelen gebroken zijn, of er geen beschermkappen en schakelaars beschadigd zijn en of er andere gebreken zijn die invloed op de werking van de machine zouden kunnen hebben. Vergewis u ervan dat de machine correct werkt. Gebruik de machine niet als enig onderdeel defect is. Gebruik de machine niet als de aan/uit-schakelaar niet werkt. Defecte onderdelen dienen door een erkend servicecentrum te worden gerepareerd of vervangen. Probeer nooit om de machine zelf te repareren.

## De stekker uit het stopcontact verwijderen

Verwijder de stekker uit het stopcontact als u de machine niet gebruikt, voordat u gereedschappen, accessoires of onderdelen van de machine verwisselt en voordat u onderhoud aan de machine uitvoert.

## Voorkom onbedoeld inschakelen

Draag de machine niet met uw vingers aan de aan/uit-schakelaar. Wees ervan verzekerd dat de machine is uitgeschakeld voordat u de stekker in het stopcontact steekt.

## Misbruik het snoer niet

Draag de machine nooit aan het snoer. Trek niet aan het snoer om de stekker uit het stopcontact te verwijderen. Houd het snoer uit de buurt van warmtebronnen, olie en scherpe randen.

## Berg de machine veilig op

Indien niet in gebruik, dienen machines te worden opgeborgen in een droge, afsluitbare of hoge plaats, buiten bereik van kinderen.

## Onderhoud de machine met zorg

Houd snijgereedschappen scherp en schoon om beter en veiliger te kunnen werken. Houdt u aan de instructies met betrekking tot het onderhoud en het vervangen van accessoires. Houd de handgrepen en schakelaars droog en vrij van olie en vet.

## Reparaties

Deze machine voldoet aan de geldende veiligheidseisen. Reparaties mogen uitsluitend worden uitgevoerd door bevoegde vakmensen en met behulp van originele reserveonderdelen; anders kan er een aanzienlijk gevaar voor de gebruiker ontstaan.

## Elektrische veiligheid



Deze machine is dubbel geïsoleerd; een aardaansluiting is daarom niet noodzakelijk. Controleer altijd of uw netspanning overeenkomt met de waarde op het typeplaatje.

## Aanvullende veiligheidsinstructies voor schuurmachines

- ◆ Draag altijd een stofmasker bij het schuren.
- ◆ Verwijder zorgvuldig alle stof na het schuren.
- ◆ Breng de stofzak op de machine aan alvorens de machine op houten werkstukken te gebruiken.
- ◆ Verwijder de stofzak van de machine alvorens de machine op metalen werkstukken te gebruiken.
- ◆ Gebruik de machine nooit zonder schuurvel.
- ◆ Gebruik de machine nooit zonder schuurzool.

## Het schuren van loodhoudende verf of MDF

Het schuren van loodhoudende verf wordt niet aanbevolen omdat het verontreinigde stof moeilijk te beheersen is. Het grootste gevaar van loodvergiftiging bestaat voor kinderen en zwangere vrouwen. Elk gebouw van voor 1960 kan in het verleden zijn geschilderd met loodhoudende verf. Deze verf kan met aanvullende verflagen zijn overdekt. Voordat u begint te werken, is het belangrijk om te bepalen of de te schuren verf lood bevat. Dit kan worden gedaan met een testset of door een professionele schilder.

## Persoonlijke bescherming

- ◆ Kinderen en zwangere vrouwen mogen de werkvloer niet betreden.
- ◆ Draag een stofmasker dat speciaal ontworpen is ter bescherming tegen loodverfstof en -damp en verzeker u ervan dat andere personen op de werkvloer of die de werkvloer betreden eveneens beschermd zijn.
- ◆ Eten, drinken en roken op de werkvloer is niet toegestaan. Het bewaren van eten of drinken op de werkvloer is niet toegestaan.
- ◆ Was uzelf zeer zorgvuldig voor het eten, drinken of roken.

## Milieu

- ◆ Verwijder de verf op dusdanige wijze dat de hoeveelheid stof wordt geminimaliseerd.
- ◆ Scherm de werkruimte af met plastic zeil.
- ◆ Minimaliseer de hoeveelheid stof buiten de werkruimte.

## Reinigen

- ◆ Reinig en stofzuig dagelijks alle oppervlakken in de werkruimte op grondige wijze.
- ◆ Wissel regelmatig de stofzak en de filters van de stofzuiger.
- ◆ Was voorwerpen die aan stof hebben blootgestaan grondig voordat u ze hergebruikt.

## Onderdelen

Al naar gelang de uitvoering beschikt deze machine over de volgende onderdelen.

- ◆ Aan/uit-schakelaar (1)
- ◆ Variabele snelheidsregeling (2)
- ◆ Ronde schuurzool (3)
- ◆ Gepunte schuurzool (4)
- ◆ Stofzak (5)
- ◆ Opzetstuk voor het schuren van jaloezieën (fig. J)

## Montage

**Waarschuwing!** Zorg dat de machine is uitgeschakeld en dat de stekker uit het stopcontact is gehaald.

## Ronde schuurzool

Met deze schuurzool kunt u de machine gebruiken als een excentrische schuurmachine (fig. H).

## Aanbrengen en verwijderen van de schuurzool (fig. A)

- ◆ Plaats de schuurzool (3) op de spindel (6).
- ◆ Plaats de sluitring (7) op de spindel.
- ◆ Steek de schroef (8) in het gat in de spindel en draai de schroef vast met de meegeleverde inbussleutel (9).
- ◆ Om de schuurzool te verwijderen, verwijdert u de schroef en de sluitring.

## Aanbrengen van schuurvellen (fig. B)

- ◆ Houd de machine vast met de schuurzool (3) omhoog.
- ◆ Druk het schuurvel (10) op de schuurzool. De gaten in het vel hoeven niet in lijn te liggen met de gaten in de zool.

## Gepunte schuurzool

Met deze schuurzool kunt u de machine gebruiken als een schuurmachine voor details of een met willekeurige schuurbewegingen.

### Aanbrengen en verwijderen van de schuurzool (fig. C & D)

- ◆ Plaats de schuurzool (4) op de spindel (6). Voor het schuren van details moet de punt naar voren wijzen zoals in fig. C. Voor het schuren van grote oppervlakken moet de punt naar achteren wijzen zoals in fig. D.
- ◆ Zorg ervoor dat de pootjes van de schuurzool in de machine passen.
- ◆ Plaats de sluitring (7) op de spindel.
- ◆ Steek de schroef (8) in het gat in de spindel en draai de schroef vast met de meegeleverde inbussleutel (9).
- ◆ Om de schuurzool te verwijderen, verwijdert u de schroef en de sluitring.

### Aanbrengen van schuurvellen (fig. E)

- ◆ Maak de twee ruitvormige punten (11) los van het schuurvel (12).
- ◆ Houd de machine vast met de schuurzool omhoog.
- ◆ Plaats het schuurvel (12) op de schuurzool en zorg dat de gaten in het vel samenvallen met de gaten in de zool.

De ruitvormige punt (13) kan worden omgedraaid en vervangen wanneer deze versleten is.

- ◆ Als het voorste gedeelte van de punt versleten is, haal hem dan los van het vel, draai hem om, en druk hem weer terug op de schuurzool.
- ◆ Als de gehele punt versleten is, verwijder hem dan van de schuurzool en plaats een nieuwe punt.

### Punt van de schuurzool (fig. F)

Wanneer de punt van de schuurzool (14) of de punthouder (15) is versleten, kan deze worden omgedraaid of vervangen.

Reserve onderdelen zijn verkrijgbaar bij uw Black & Decker leverancier.

- ◆ Verwijder de schroef (16).
- ◆ Draai het versleten deel om of vervang het.
- ◆ Bevestig de schroef en draai deze vast.

### Opzetstuk voor het schuren van jaloezieën (fig. J)

Met dit opzetstuk kunt u in spleten werken en de schuurzool aan beide kanten gebruiken.

- ◆ Verwijder de punt van de schuurzool en de punthouder (fig. F).
- ◆ Bevestig het opzetstuk voor jaloezieën (22) over de punt van de gepunte schuurzool.
- ◆ Zet het opzetstuk vast met de schroef (21).
- ◆ Druk het grote schuurvel tegen de onderkant van het opzetstuk voor jaloezieën. Een deel ervan valt over het voorste deel van de gepunte schuurzool.

Voor het aan beide zijden schuren van jaloezielatten kan schuurpapier aan de bovenkant van het opzetstuk worden bevestigd.

- ◆ Verwijder het papier (20) van de achterzijde van de klittenbandbevestiging (19).

- ◆ Plak de klittenbandbevestiging op de bovenkant van het opzetstuk.
- ◆ Bevestig het stuk schuurpapier (18) op de klittenbandbevestiging.

## Gebruik

**Waarschuwing!** Bedek de ventilatiesleuven niet wanneer u de machine gebruikt. Houd de machine vast zoals afgebeeld in fig. I. Zorg ervoor dat de schuurzool vlak op het werkstuk ligt.

### In- en uitschakelen

- ◆ Als de machine is uitgerust met een variabele snelheidsregeling (2), dan stelt u deze in op de gewenste snelheid. Als een vuistregel, gebruik een lage snelheid voor polijsten en het schuren van kunststof. Gebruik een hoge snelheid voor hout en metaal.
- ◆ Om de machine in te schakelen, drukt u op de 'I' van de aan/uit-schakelaar (1).
- ◆ Om de machine uit te schakelen, drukt u op de '0' van de aan/uit-schakelaar (1).

### Automatisch remsysteem (ABS)

Deze machine heeft een ABS-systeem. Als de machine zich niet op het werkoppervlak bevindt, dan zorgt dit systeem ervoor dat de snelheid van de ronde schuurzool niet hoger komt dan de motorsnelheid. Wanneer de machine uitgeschakeld wordt, zal de schuurzool zeer snel stoppen.

### Aansluiten van een stofzuiger

Om een stofzuiger op de machine aan te sluiten heeft u een speciale adapter nodig, die als accessoire verkrijgbaar is.

### Ledigen van de stofzak (fig. G)

De stofzak dient na iedere 10 minuten gebruik te worden geleegd.

- ◆ Houd de machine vast met de stofzak (5) naar beneden gericht.
- ◆ Druk de knoppen (17) in om de stofzak los te maken.
- ◆ Bevestig de stofzak weer en klik hem vast.

Was de stofzak niet.

## Accessoires

De prestaties van uw machine hangen af van welke accessoire u gebruikt. Black & Decker en Piranha accessoires zijn ontwikkeld om te voldoen aan hoge kwaliteitseisen en ontworpen om de prestaties van uw machine te verbeteren. Met behulp van deze accessoires haalt u het beste uit uw machine.

## Onderhoud

Uw machine is ontworpen om gedurende langere periode te functioneren met een minimum aan onderhoud. Voortdurend tevreden gebruik is afhankelijk van correct onderhoud en regelmatig schoonmaken.

## Milieu



Black & Decker biedt de mogelijkheid tot recycleren van afgedankte Black & Decker producten.

Deze service is kosteloos. Om gebruik van deze service te maken, dient u het product aan een van onze servicecentra te sturen, die voor ons de inzameling verzorgen.

U kunt het adres van het dichtstbijzijnde servicecentrum opvragen via de adressen op de achterzijde van deze handleiding. U kunt ook een lijst van onze servicecentra en meer informatie m.b.t. onze klantenservice vinden op het volgende Internet-adres: **www.2helpU.com**.

## Technische gegevens

	KA225	KA225EK
Opgenomen vermogen	W 170	170
Onbelast toerental	min <sup>-1</sup> 10.500	6.000 - 10.500

## EG-verklaring van overeenstemming

Black & Decker verklaart dat deze machines in overeenstemming zijn met: 98/37/EEG, 89/336/EEG, 73/23/EEG, EN 50144, EN 55014, EN 61000

$L_{pA}$  (geluidsdruk): 77 dB(A),  $L_{WA}$  (geluidsvermogen) 90 dB(A),  
gewogen kwadratische gemiddelde waarde van de versnelling  
< 2.5 m/s<sup>2</sup>

Kevin Hewitt  
Director of Consumer Engineering  
Spennymoor, County Durham DL16 6JG,  
United Kingdom

## Garantie

Black & Decker heeft vertrouwen in zijn producten en biedt een uitstekende garantie. Deze garantiebepalingen vormen een aanvulling op uw wettelijke rechten en beperken deze niet. De garantie geldt in de lidstaten van de Europese Unie en de Europese Vrijhandelsassociatie.

Mocht uw Black & Decker product binnen 24 maanden na datum van aankoop defect raken tengevolge van materiaal- of constructiefouten, dan garanderen wij de kosteloze vervanging van defecte onderdelen, de reparatie van het product of de vervanging van het product, tenzij:

- ◆ Het product is gebruikt voor handelsdoeleinden, professionele toepassingen of verhuurdoeleinden;
- ◆ Het product onoordeelkundig is gebruikt;
- ◆ Het product is beschadigd door invloeden van buitenaf of door een ongeval;
- ◆ Reparaties zijn uitgevoerd door anderen dan onze servicecentra of Black & Decker personeel.

Om een beroep op de garantie te doen, dient u een aankoopbewijs te overhandigen aan de verkoper of een van onze servicecentra. U kunt het adres van het dichtstbijzijnde servicecentrum opvragen via de adressen op de achterzijde van deze handleiding. U kunt ook een lijst van onze servicecentra en meer informatie m.b.t. onze klantenservice vinden op het volgende Internet-adres: **www.2helpU.com**.

## Finalidad

Su lijadora Black & Decker ha sido diseñada para lijar y pulir madera, metal, plástico y superficies pintadas. Esta herramienta está pensada únicamente para uso doméstico.

## Instrucciones de seguridad

- ◆ **¡Atención!** Cuando use herramientas eléctricas, debe seguir siempre las precauciones de seguridad básicas, incluidas las siguientes, a fin de reducir el riesgo de incendios, posibilidad de electrocutarse, lesiones personales y daños materiales.
- ◆ Lea completamente este manual antes de utilizar la herramienta.
- ◆ Mantenga a mano este manual para consultas posteriores.
- ◆ Desenchufe la herramienta de la red antes de realizar cualquier ajuste, reparación o mantenimiento.

### Mantenga limpia el área de trabajo

Un área o un banco de trabajo en desorden aumentan el riesgo de accidentes.

### Tenga en cuenta el entorno del área de trabajo

No exponga herramientas a la humedad. Procure que el área de trabajo esté bien iluminada. No utilice la herramienta donde exista riesgo de incendio o explosión, p. ej. en la proximidad de líquidos o gases inflamables.

### ¡Mantenga alejados a los niños!

No permita que niños, otras personas o animales se acerquen al área de trabajo ni toquen la herramienta o el cable de corriente.

### Vista ropa de trabajo apropiada

No lleve vestidos anchos ni joyas. Estos podrían ser atrapados por piezas en movimiento. Para trabajos en el exterior, se recomienda llevar guantes de goma y calzado de suela antideslizante. Si tiene el pelo largo, téngalo recogido y cubierto.

### Protección personal

Lleve gafas de protección. Utilice una mascarilla si el trabajo ejecutado produce polvo u otras partículas volantes.

Lleve protectores para los oídos.

### Protéjase contra la posibilidad de electrocutarse

Evite que su cuerpo haga contacto con objetos conectados a tierra (p. ej. tuberías, radiadores, frigoríficos y electrodomésticos en general). Se puede incrementar la seguridad eléctrica utilizando disyuntores de alta sensibilidad (30 mA / 30 mS) para detectar corrientes de fuga.

### No alargue demasiado su radio de acción

Mantenga un apoyo firme sobre el suelo y conserve el equilibrio en todo momento.

### Esté siempre alerta

Mire lo que está haciendo. Use el sentido común.

No maneje la herramienta cuando está cansado.

### Sujete bien la pieza de trabajo

Utilice abrazaderas o un torno para sujetar la pieza de trabajo.

Es más seguro que sujetarla con la mano y le permite utilizar ambas manos para manejar la herramienta.

### Conecte los accesorios para la extracción de polvo.

Si se suministran adaptadores para la conexión de accesorios extractores y para el almacenamiento del polvo, asegúrese de que se conectan y utilizan adecuadamente.

### Retire las llaves de maniobra

Antes de poner la herramienta en marcha, asegúrese de que las llaves y utensilios de reglaje hayan sido retirados.

### Cables alargadores

Revise el cable alargador antes de utilizarlo por si presenta desperfectos. Al utilizar las herramientas en exteriores, utilice exclusivamente aquellos cables prolongadores diseñados para estas condiciones. Puede utilizarse un cable alargador Black & Decker de hasta 30 m sin pérdida de potencia.

### Utilice la herramienta adecuada

En este manual se explica para qué uso está destinada la herramienta. No utilice herramientas o dispositivos acoplables de potencia demasiado débil para ejecutar trabajos pesados. La herramienta funcionará mejor y con mayor seguridad al ser utilizada de acuerdo con sus características técnicas.

No fuerce la herramienta.

**¡Atención!** El uso de otros accesorios, adaptadores, o la propia utilización de la herramienta en cualquier forma diferente de las recomendadas en este manual de instrucciones puede constituir un riesgo de lesiones a las personas.

### Compruebe que no haya piezas averiadas

Antes de usarla, compruebe cuidadosamente que la herramienta y el cable de corriente no presenten desperfectos. Compruebe la posible existencia de piezas móviles mal alineadas o atascadas, la rotura de piezas, el posible daño de protectores e interruptores y cualquier otro aspecto que pueda afectar al funcionamiento de la herramienta.

Asegúrese de que la herramienta puede funcionar adecuadamente y cumplir con el cometido para el que ha sido diseñada. No use la herramienta si hay alguna pieza defectuosa o averiada. No utilice la herramienta si no es posible apagar y encender el interruptor. Encargue al servicio técnico autorizado que repare o sustituya las piezas defectuosas o averiadas. Jamás intente repararla usted mismo.

### Desenchufe la herramienta

Desenchufe la herramienta cuando no esté usando la herramienta, antes de sustituir piezas, accesorios o acoplamientos, y antes de efectuar revisiones.

### Evite un arranque involuntario

Procure no tocar el conmutador de encendido/apagado mientras transporta la herramienta. Asegúrese de que la herramienta esté apagada cuando la enchufe.

### Cuide el cable de alimentación

No arrastre la herramienta tirando del cable, ni tire del cable para desenchufarlo. Proteja el cable del calor, del aceite y de las aristas vivas.

### Guarde las herramientas que no utiliza

Cuando no las utilice, las herramientas deben guardarse en un lugar seco y cerrado o elevado, fuera del alcance de los niños.

### Mantenga las herramientas asiduamente

Mantenga sus herramientas afiladas y limpias para trabajar mejor y más seguro. Siga las instrucciones para el mantenimiento y la sustitución de accesorios. Mantenga los mandos y conmutadores secos, limpios y libres de aceite y grasa.

### Reparaciones

Esta herramienta cumple las normas de seguridad aplicables. Las reparaciones deben llevarse a cabo por personal cualificado, usando piezas de recambio originales; en caso contrario, podría ocasionarse un considerable riesgo para el usuario.

### Seguridad eléctrica



La herramienta lleva un doble aislamiento; por lo tanto no requiere una toma a tierra. Compruebe siempre que la tensión de la red corresponda con el valor indicado en la placa de datos de la herramienta.

### Instrucciones de seguridad adicionales para lijadoras

- ◆ Preferiblemente use una mascarilla contra el polvo cuando esté lijando.
- ◆ Elimine a fondo todo el polvo después de lijar.
- ◆ Antes de utilizar la herramienta con piezas de madera, asegúrese de que instala la bolsa para la recolección del polvo.
- ◆ Antes de utilizar la herramienta con piezas de metal, asegúrese de que instala la bolsa para la recolección del polvo.
- ◆ No use nunca la herramienta sin la hoja de lijar.
- ◆ No use nunca la herramienta sin la base de lijar.

### Lijado de pintura con base de plomo o MDF

No se recomienda lijar pinturas con base de plomo debido a la dificultad de controlar el polvo contaminado. El peligro mayor de envenenamiento por plomo es para niños y mujeres embarazadas. Los edificios construidos antes de 1960 podrán haber sido pintados con pintura que contenía plomo.

Esta pintura puede ser cubierta con capas adicionales de pintura. Antes de comenzar el trabajo, es importante dilucidar si la pintura que se va a lijar contiene plomo. Esto se puede realizar empleando un kit de prueba o a través de un decorador profesional.

### Protección personal

- ◆ No permita la entrada de niños ni de mujeres embarazadas al área de trabajo.
- ◆ Utilice una mascarilla contra el polvo diseñada específicamente para proteger contra el polvo y las emanaciones de pinturas con plomo, y asegúrese de que las demás personas que se encuentren dentro de, o que penetren en el área de trabajo también estén protegidas.

- ◆ No ingiera alimentos ni bebidas, ni fume en el área de trabajo. No guarde alimentos ni bebidas en el área de trabajo.
- ◆ Lávese muy cuidadosamente antes de comer, beber o fumar.

### Medio ambiente

- ◆ Elimine la pintura de forma a fin de reducir al mínimo la cantidad de polvo.
- ◆ Proteja la zona de trabajo con láminas de plástico.
- ◆ Reduzca al mínimo la cantidad de polvo que salga al exterior de la zona de trabajo.

### Limpieza

- ◆ Limpie a fondo a diario todas las superficies de la zona de trabajo.
- ◆ Cambie periódicamente la bolsa de polvo y los filtros del aspirador.
- ◆ Limpie a fondo cualquier objeto extraño expuesto al polvo antes de usarlos de nuevo.

### Características

Esta herramienta incluye alguna o todas las características siguientes.

- ◆ Botón de encendido/apagado (1)
- ◆ Control de velocidad variable (2)
- ◆ Base redonda (3)
- ◆ Base puntiaguda (4)
- ◆ Bolsa de polvo (5)
- ◆ Acoplamiento de persiana (fig. J)

### Montaje

**¡Atención!** Asegúrese de que la herramienta esté apagada y desenchufada de la red.

#### Base redonda

Con esta base lijadora, puede utilizar la herramienta como lijadora de órbita aleatoria (fig. H).

#### Colocación y retirada de la base lijadora (fig. A)

- ◆ Coloque la base lijadora (3) sobre el husillo (6).
- ◆ Coloque la arandela (7) sobre el husillo.
- ◆ Inserte el tornillo (8) por el orificio del husillo y apriételo usando la llave Allen (9) suministrada.
- ◆ Para retirar la base lijadora, saque el tornillo y la arandela.

#### Colocación de las hojas para lijar (fig. B)

- ◆ Sujete la herramienta con la base lijadora (3) encarada hacia arriba.
- ◆ Coloque la hoja lijadora (10) sobre la base lijadora. No es necesario alinear los agujeros de la hoja con los agujeros de la base.



### Base puntiaguda

Con esta base lijadora, puede utilizar la herramienta como lijadora de detalles o como lijadora orbital.

#### Colocación y retirada de la base lijadora (fig. C & D)

- ◆ Coloque la base lijadora (4) sobre el husillo (6). Para lijar con detalle, el extremo puntiagudo debe estar encarado hacia adelante, tal como se muestra en la fig. C. Para lijar grandes superficies, el extremo puntiagudo debe estar encarado hacia atrás, tal como se muestra en la fig. D.
- ◆ Asegúrese de que las patas de la base se encajan dentro de la herramienta.
- ◆ Coloque la arandela (7) sobre el husillo.
- ◆ Inserte el tornillo (8) por el orificio del husillo y apriételo usando la llave Allen (9) suministrada.
- ◆ Para retirar la base lijadora, saque el tornillo y la arandela.

#### Colocación de las hojas de lijar (fig. E)

- ◆ Separe las dos puntas afiladas de diamante (11) de la hoja de lijar (12).
- ◆ Sujete la herramienta con la base lijadora encarada hacia arriba.
- ◆ Coloque la hoja de papel de lijar (12) sobre la base de la lijadora, y asegúrese de que los orificios de la hoja de papel de lija coincidan con los de la base de la lijadora.

Se pueden invertir y sustituir las puntas en forma de diamante (13) cuando estén desgastadas.

- ◆ Cuando la parte frontal de la punta esté desgastada, sáquela de la hoja, inviértala y presiónela sobre la base lijadora de nuevo.
- ◆ Cuando está desgastada toda la punta, retírela de la base lijadora y coloque una nueva.

#### Punta de la base lijadora (fig. F)

Cuando esté desgastada la punta de la base lijadora (14) o el portapuntas (15), se podrán invertir o cambiar. Su concesionario Black & Decker dispone de piezas de repuesto.

- ◆ Retire el tornillo (16).
- ◆ Invierta o cambie la pieza gastada.
- ◆ Coloque y apriete el tornillo.

### Acoplamiento de persiana (fig. J)

Con este accesorio, podrá trabajar con ranuras y utilizar la base lijadora por ambos lados.

- ◆ Retire la punta de la base lijadora y el portapuntas (fig. F).
- ◆ Coloque la base de persiana (22) sobre la punta de la base puntiaguda.
- ◆ Sujete la base de persiana con el tornillo (21).
- ◆ Pegue la hoja principal de papel abrasivo a la parte inferior de la base de persiana. Parte de ella se pegará a la parte frontal de la base puntiaguda.

Para lijar los listones de persiana por ambos lados, se podrá colocar el papel de lijar en el lado superior del accesorio.

- ◆ Retire el papel de soporte (20) del sujetador de velcro (19).
- ◆ Pegue el sujetador de velcro a la superficie superior del accesorio de persiana.
- ◆ Fije la pieza de lijado (18) al sujetador de velcro.

### Uso

**¡Atención!** Cuando utilice la herramienta no tape las ranuras de ventilación. Sujete la herramienta tal como se indica en la fig. I. Asegúrese de que la base lijadora está plana sobre la pieza de trabajo.

#### Encendido y apagado

- ◆ Si la herramienta lleva un pomo de control de velocidad variable (2), póngalo en el régimen de velocidad requerido. Como regla general, use baja velocidad para pulir y lijar plástico. Use alta velocidad para madera y metal.
- ◆ Para encender la lijadora, oprima la parte del interruptor on/off (1) marcada 'I'.
- ◆ Para apagar la lijadora, oprima la parte del interruptor on/off (1) marcada 'O'.

#### Sistema automático de frenos (ABS)

Esta herramienta dispone de un sistema automático de frenos. Cuando la herramienta no está sobre la superficie de trabajo, esta característica mantiene la velocidad de la base redonda por debajo de la velocidad del motor. Cuando la máquina se apaga, la base se detiene muy rápidamente.

#### Conexión de un aspirador

para conectar un aspirador a la herramienta necesita un adaptador especial que está disponible como accesorio.

#### Vaciado de la bolsa de recolección del polvo (fig. G)

La bolsa para la recolección del polvo debe vaciarse cada 10 minutos de uso.

- ◆ Sujete la herramienta con la bolsa del polvo (5) mirando hacia abajo.
- ◆ Apriete los botones (17) para soltar la bolsa del polvo.
- ◆ Vuelva a colocar la bolsa del polvo, dejando que haga clic en su posición.

No lave la bolsa del polvo.

### Accesorios

El rendimiento de la herramienta dependerá del accesorio utilizado. Los accesorios de Black & Decker y Piranha están fabricados según las más altas normas de calidad para ampliar el rendimiento de la herramienta. Utilizando estos accesorios, logrará aprovechar al máximo la herramienta.

## Mantenimiento

Su herramienta está diseñada para que funcione durante un largo período de tiempo con un mantenimiento mínimo. El funcionamiento satisfactorio continuado depende de un cuidado apropiado y una limpieza periódica de la herramienta.

## Protección del medio ambiente



Black & Decker proporciona facilidades para el reciclado de los productos Black & Decker que hayan llegado al final de su vida útil. Este servicio se proporciona de forma gratuita. Para poderlo utilizar, le rogamos entregue el producto en cualquier servicio técnico autorizado quien se hará cargo del mismo en nuestro nombre.

Pueden consultar la dirección de su servicio técnico más cercano poniéndose en contacto con la oficina local de Black & Decker en la dirección que se indica en este manual. Como alternativa, se puede consultar en Internet, en la dirección siguiente, la lista de servicios técnico autorizados e información completa de nuestros servicios de postventa y contactos: [www.2helpU.com](http://www.2helpU.com).

## Características técnicas

	KA225	KA225EK
Potencia absorbida	W 170	170
Velocidad sin carga	min <sup>-1</sup> 10.500	6.000 - 10.500

## Declaración CE de conformidad

Black & Decker certifica que estas herramientas han sido construidas de acuerdo a las normas siguientes: 98/37/CEE, 89/336/CEE, 73/23/CEE, EN 50144, EN 55014, EN 61000  
 $L_{pA}$  (presión acústica): 77 dB(A),  $L_{WA}$  (potencia acústica) 90 dB(A), valor cuadrático medio ponderado en frecuencia de la aceleración < 2.5 m/s<sup>2</sup>

Kevin Hewitt  
 Director de Ingeniería  
 Spennymoor, County Durham DL16 6JG,  
 United Kingdom

## Garantía

Black & Decker confía plenamente en la calidad de sus productos y ofrece una garantía extraordinaria. Esta declaración de garantía es una añadido, y en ningún caso un perjuicio para sus derechos estatutarios. La garantía es válida dentro de los territorios de los Estados Miembros de la Unión Europea y de los de la Zona Europea de Libre Comercio.

Si un producto Black & Decker resultará defectuoso debido a materiales o mano de obra defectuosos o a la falta de conformidad, Black & Decker garantiza, dentro de los 24 meses de la fecha de compra, la sustitución de las piezas defectuosas, la reparación de los productos sujetos a un desgaste y rotura razonables o la sustitución de tales productos para garantizar al cliente el mínimo de inconvenientes, a menos que:

- ◆ El producto haya sido utilizado con propósitos comerciales, profesionales o de alquiler;
- ◆ El producto haya sido sometido a un uso inadecuado o negligente;
- ◆ El producto haya sufrido daños causados por objetos o sustancias extrañas o accidentes;
- ◆ Se hayan realizado reparaciones por parte de personas que no sean los servicios de reparación autorizados o personal de servicios de Black & Decker;

Para reclamar en garantía, será necesario que presente la prueba de compra al vendedor o al servicio técnico de reparaciones autorizado. Pueden consultar la dirección de su servicio técnico más cercano poniéndose en contacto con la oficina local de Black & Decker en la dirección que se indica en este manual. Como alternativa, se puede consultar en Internet, en la dirección siguiente, la lista de servicios técnicos autorizados e información completa de nuestros servicios de postventa y contactos: [www.2helpU.com](http://www.2helpU.com).

## Utilização

A sua lixadora Black & Decker foi projectada para lixar e polir madeira, metal, plástico e superfícies pintadas. Esta ferramenta destina-se apenas ao uso doméstico.

## Instruções de segurança

- ◆ **Aviso!** Ao utilizar ferramentas eléctricas, é preciso seguir sempre as precauções básicas para a segurança, incluindo as detalhadas a seguir, para diminuir os riscos de incêndio, choque eléctrico, ferimentos pessoais e danos materiais.
- ◆ Leia atentamente este manual antes de utilizar a ferramenta.
- ◆ Guarde este manual para futura consulta.
- ◆ Remova a ficha da tomada antes de efectuar qualquer ajuste, reparação ou manutenção.

### Mantenha a área de trabalho arrumada

As mesas e áreas de trabalho desarrumadas podem provocar ferimentos.

### Cuide do ambiente da área de trabalho

Não exponha a ferramenta à chuva. Não utilize a ferramenta em situações onde haja humidade ou água. Mantenha a área de trabalho bem iluminada. Não utilize a ferramenta onde haja risco de fogo ou explosão, p.ex. em presença de líquidos ou gases inflamáveis.

### Mantenha as crianças afastadas

Não permita que crianças, visitantes ou animais cheguem perto da área de trabalho ou toquem na ferramenta ou no cabo eléctrico.

### Vista-se de maneira apropriada

Não use vestuário largo nem jóias porque podem prender-se numa peça móvel. Quando se trabalha no exterior, aconselha-se o uso de luvas de borracha e de calçado antiderrapante. Prenda o cabelo se o tiver comprido.

### Protecção pessoal

Utilize óculos de protecção. Utilize óculos de protecção e uma máscara de rosto para poeiras sempre que as operações possam produzir poeira ou partículas que voem. Utilize protector de ouvidos.

### Tenha cuidado com os choques eléctricos

Evite tocar em superfícies aterradas ou ligadas à terra, como por exemplo: canos, radiadores, fogões e frigoríficos. A segurança eléctrica pode ser melhorada mediante o uso de dispositivos de corrente residual (RCD) de alta sensibilidade (30 mA / 30 mS).

### Verifique a sua posição

Mantenha sempre o equilíbrio.

### Esteja atento

Dê atenção ao que vai fazendo. Trabalhe com precaução. Não utilize ferramentas quando estiver cansado.

### Segure firmemente as peças a trabalhar

Utilize grampos ou um torno para segurar as peças de trabalho. É mais seguro e permite manter as duas mãos livres para trabalhar.

## Ligue o equipamento de extracção de poeiras

Caso sejam fornecidos os dispositivos para a extracção e colecta de poeiras, assegure-se de que os mesmos estão correctamente ligados e são correctamente utilizados.

### Tire as chaves de aperto

Verifique sempre se as chaves de aperto foram retiradas da ferramenta antes de a utilizar.

### Extensões eléctricas

Antes de iniciar o uso, verifique o estado da extensão eléctrica e substitua-a se estiver danificada. Ao utilizar a ferramenta no exterior, utilize apenas extensões adequadas para este tipo de uso.

### Utilize a ferramenta apropriada

Neste manual indicam-se as aplicações da ferramenta. Não force pequenas ferramentas ou acessórios para fazer o trabalho numa ferramenta forte. A ferramenta trabalhará melhor e de uma maneira mais segura se for utilizada para o efeito indicado. Não force a ferramenta.

**Aviso!** O uso de qualquer acessório ou da própria ferramenta, além do que é recomendado neste manual de instruções pode dar origem a riscos de ferimentos.

### Verifique se há peças danificadas.

Antes de a utilizar, verifique cuidadosamente se a ferramenta e o cabo eléctrico não estão danificados. Verifique o tamanho das peças móveis e se as mesmas estão alinhadas; verifique se há alguma peça partida, se as protecções e os interruptores estão danificados, bem como quaisquer outras condições que possam afectar o funcionamento da ferramenta. Assegure-se de que a ferramenta funciona correctamente e de que está a desempenhar as funções para as quais foi projectada.

Não utilize a ferramenta se houver alguma peça defeituosa. Não utilize a ferramenta se o interruptor de ligar/desligar não estiver a funcionar. Qualquer peça defeituosa deve ser reparada ou substituída por um técnico autorizado.

Nunca tente efectuar qualquer reparação por sua conta.

### Desligue a ferramenta

Desligue a ferramenta quando não estiver em uso, antes de trocar qualquer peça da ferramenta, acessórios ou anexos e antes de a enviar para os serviços técnicos.

### Evite ligar sem intenção

Não transporte a ferramenta com um dedo sobre o interruptor de ligar/desligar. Assegure-se de que a ferramenta está desligada quando for ligá-la à tomada.

### Não force o cabo eléctrico

Nunca transporte a ferramenta pelo cabo ou puxe o mesmo para retirá-lo da tomada. Proteja o cabo contra o calor e evite o contacto com óleo e objectos cortantes.

### Guarde as ferramentas que não estiverem a ser utilizadas.

Quando não estiver em uso, as ferramentas deverão ser armazenadas em local seco, fechado ou alto, fora do alcance das crianças.

### Cuide das suas ferramentas com atenção

Mantenha as ferramentas cortantes afiadas e limpas para um melhor e mais seguro desempenho. Siga as instruções para a manutenção e a troca de acessórios. Mantenha os punhos e os interruptores secos, limpos e isentos de óleo e gordura.

### Reparações

Esta ferramenta cumpre os requisitos de segurança pertinentes. As reparações devem ser realizadas somente por pessoas qualificadas e as peças de reposição devem ser originais. A não observância disso poderá resultar em perigos consideráveis para os utilizadores.

### Segurança eléctrica



Esta ferramenta está duplamente vedada; assim não é necessário fio de terra. Certifique-se sempre de que o fornecimento de energia corresponde à voltagem indicada na placa de especificações.

### Instruções adicionais de segurança para lixadoras

- ◆ Utilize preferivelmente uma máscara de protecção para poeiras quando estiver a lixar.
- ◆ Remova completamente toda a poeira após lixar.
- ◆ Antes de utilizar a ferramenta em peças de madeira, não se esqueça de colocar o compartimento do saco de poeiras.
- ◆ Antes de utilizar a ferramenta em peças metálicas, não se esqueça de remover o compartimento do saco de poeiras.
- ◆ Nunca utilize a ferramenta sem uma folha de lixa.
- ◆ Nunca utilize a ferramenta sem uma base de lixar.

### Lixar tinta à base de chumbo ou MDF

Não se recomenda lixar tinta à base de chumbo devido à dificuldade de controlar o pó contaminado. O maior perigo de envenenamento de chumbo reflecte-se em crianças e grávidas. Qualquer edifício anterior a 1960 poderá ter sido pintado com tinta à base de chumbo. Esta tinta pode estar coberta com camadas adicionais de tinta. Antes de iniciar o trabalho, é importante determinar se a tinta a ser lixada contém chumbo. Isto pode ser feito utilizando um kit de teste ou por um profissional.

### Protecção pessoal

- ◆ Não permita que crianças ou mulheres grávidas entrem na área de trabalho.
- ◆ Utilize uma máscara especificamente projectada para proteger contra as poeiras e vapores de pintura com chumbo e assegure-se de que as pessoas que estejam na área de trabalho ou que entrem na mesma também estão protegidas.
- ◆ Não coma, beba ou fume na área de trabalho.
- ◆ Depois de executar a sua tarefa, e antes de comer, beber ou fumar, deverá lavar-se.

### Meio ambiente

- ◆ Remova a tinta por forma a que a quantidade de pó seja minimizada.
- ◆ Vede a área de trabalho com folha de plástico.
- ◆ Minimizar a quantidade de pó fora da área de trabalho.

### Limpeza

- ◆ Aspire e limpe todas as superfícies da área de trabalho todos os dias.
- ◆ Mude regularmente o saco de poeiras e os filtros do aspirador.
- ◆ Lave quaisquer objectos estranhos expostos ao pó antes de os voltar a utilizar.

### Funções

Esta ferramenta inclui algumas ou todas as seguintes funções.

- ◆ Interruptor de ligar/desligar (1)
- ◆ Selector de velocidade variável (2)
- ◆ Base redonda (3)
- ◆ Base pontiaguda (4)
- ◆ Saco de poeiras (5)
- ◆ Dispositivo para persianas (fig. J)

### Montagem

**Advertência!** Certifique-se de que a ferramenta está desligada no interruptor e retire a tomada da corrente.

#### Base redonda

Com esta base pode utilizar a ferramenta como uma lixadeira orbital (fig. H).

#### Colocação e remoção da base de lixar (fig. A)

- ◆ Coloque a base (3) no fuso (6).
- ◆ Coloque a anilha (7) no fuso.
- ◆ Insira o parafuso (8) no orifício do fuso e aperte-o utilizando a chave sextavada (9) fornecida.
- ◆ Para remover a base, remova o parafuso e a anilha.

#### Instalação das folhas de lixa (fig. B)

- ◆ Segura na ferramenta com a base (3) virada para cima.
- ◆ Coloque a folha de lixa (0) na base. Os orifícios da folha não necessitam de estar alinhados com os orifícios da base.

#### Base pontiaguda

Com esta base pode utilizar a ferramenta como uma lixadora de detalhes ou como uma lixadora orbital.

#### Colocação e remoção da base de lixar (fig. C & D)

- ◆ Coloque a base (4) no fuso (6). Para lixar detalhes, a extremidade aguçada deverá estar virada para a frente como mostrado na fig. C.

Para lixar grandes áreas, a extremidade aguçada deverá estar virada para trás como mostrado na fig. D.

- ◆ Certifique-se de que os suportes da base estão colocadas na ferramenta.
- ◆ Coloque a anilha (7) no fuso.
- ◆ Insira o parafuso (8) no orifício do fuso e aperte-o utilizando a chave sextavada (9) fornecida.
- ◆ Para remover a base, remova o parafuso e a anilha.

#### Instalação das folhas de lixa (fig. E)

- ◆ Remova as duas pontas extra (11) da folha de lixa (12).
- ◆ Segure na ferramenta com a base virada para cima.
- ◆ Posicione a folha de lixa (12) na base assegurando-se de que os orifícios da folha coincidem com os orifícios da base.

As pontas extra (13) podem ser invertidas e substituídas quando desgastadas.

- ◆ Quando a parte frontal da ponta estiver desgastada, remova-a da lixa, inverta-a e coloque-a novamente na base de lixa.
- ◆ Quanto a ponta estiver completamente desgastada, remova-a da base e coloque uma nova.

#### Ponta da base (fig. F)

Quando a ponta da base (14) ou o suporte da ponta (15) estiverem desgastados, estes podem ser invertidos ou substituídos.

Estão disponíveis como peças no seu agente Black & Decker.

- ◆ Remova o parafuso (16).
- ◆ Inverta ou substitua a peça desgastada.
- ◆ Coloque e aperte o parafuso.

#### Dispositivo para persianas (fig. J)

Com este acessório pode trabalhar em fendas e utilizar ambos os lados da base de lixar.

- ◆ Remova a ponta da base e o suporte da base (fig. F).
- ◆ Coloque o dispositivo para persianas (22) por cima da ponta da base pontiaguda.
- ◆ Fixe o dispositivo para persianas com o parafuso (21).
- ◆ Coloque a folha abrasiva na parte inferior do dispositivo para persianas. Parte da folha abrasiva irá colar-se na parte frontal da base pontiaguda.

Para lixar utilizando ambos os lados do dispositivo para persianas, pode ser colocado papel abrasivo na parte superior do acessório.

- ◆ Remova o papel de protecção (20) do fixador de velcro (19).
- ◆ Cole o fixador de velcro na superfície superior do dispositivo para persianas.
- ◆ Coloque a lixa (18) no fixador de velcro.

#### Utilização

Advertência! Não tape as ranhuras de ventilação durante a utilização da ferramenta. Segure a ferramenta como mostrado na fig. I. Certifique-se que a base fica nivelada com a peça de trabalho.

#### Ligar e desligar

- ◆ Se a ferramenta estiver equipada com um selector de velocidade variável (2), ajuste-o para a velocidade desejada. Como regra geral, utilize uma velocidade baixa para polir e lixar plásticos. Utilize uma velocidade alta para a madeira e metal.
- ◆ Para ligar a ferramenta, carregue na parte do interruptor de ligar/desligar (1) marcado com 'I'.
- ◆ Para desligar a ferramenta, carregue na parte do interruptor de ligar/desligar (1) marcado com 'O'.

#### Sistema de travagem automática (ABS)

Esta ferramenta tem um sistema de travagem automática. Quando a ferramenta não estiver na superfície de trabalho, esta função permite manter a velocidade da base redonda abaixo da velocidade do motor. Quando a ferramenta é desligada, a base pára rapidamente.

#### Ligar um aspirador

Para ligar um aspirador à ferramenta, necessita de um adaptador especial que está disponível como acessório.

#### Limpar o saco de poeiras (fig. G)

Deve-se limpar o saco de poeiras a cada 10 minutos.

- ◆ Segure na ferramenta com o saco de poeiras (5) virado para baixo.
- ◆ Aperte os botões (17) para retirar o saco de poeiras.
- ◆ Volte a colocar o saco de poeiras.

Não lave o saco do pó.

#### Acessórios

O desempenho da sua ferramenta depende dos acessórios utilizados. Os acessórios da Black & Decker e Piranha são fabricados de acordo com os mais altos padrões de qualidade e são concebidos para melhorar o desempenho da sua ferramenta. Ao utilizar estes acessórios, poderá tirar um maior partido da sua ferramenta.

#### Manutenção

Esta ferramenta foi desenvolvida para funcionar por um longo período, com um mínimo de manutenção. O funcionamento contínuo e satisfatório depende da limpeza regular e cuidado adequado da ferramenta.

#### Protecção do meio ambiente



A Black & Decker oferece facilidades para a reciclagem de produtos Black & Decker uma vez que os mesmos tenham alcançado o final de suas vidas úteis. Este serviço é fornecido sem encargos.

Para utilizá-lo, devolva o seu produto a qualquer agente de reparação autorizado, que se encarregará de recolher o equipamento em nosso nome.

Para verificar a localização do agente de reparação mais próximo de si, contacte o escritório local da Black & Decker no endereço indicado neste manual. Se preferir, consulte a lista de agentes autorizados da Black & Decker e os dados completos dos nossos serviços de atendimento pós-venda na Internet no endereço: [www.2helpU.com](http://www.2helpU.com).

#### Dados técnicos

	KA225	KA225EK
Potência absorvida	W 170	170
Velocidade sem carga	min <sup>-1</sup> 10.500	6.000 - 10.500

#### Declaração de conformidade

A Black & Decker declara que estas ferramentas foram concebidas em conformidade com: 98/37/CEE, 89/336/CEE, 73/23/CEE, EN 50144, EN 55014, EN 61000

$L_{pA}$  (pressão sonora): 77 dB(A),  $L_{WA}$  (potência sonora) 90 dB(A),  
vibração < 2.5 m/s<sup>2</sup>



Kevin Hewitt  
Engenheiro Responsável  
Spennymoor, County Durham DL16 6JG,  
United Kingdom

#### Garantia

A Black & Decker confia na qualidade de seus produtos e oferece um programa de garantia excelente. Esta declaração de garantia soma-se aos seus direitos legais e não os prejudica em nenhum aspecto. A garantia será válida nos territórios dos Estados Membros da União Europeia e na Área de Livre Comércio da Europa.

Caso algum produto da Black & Decker apresente avarias devido a defeitos de material, mão-de-obra ou ausência de conformidade no prazo de 24 meses a partir da data de compra, a Black & Decker garantirá a substituição das peças defeituosas, a reparação dos produtos que foram submetidos a uso adequado e remoção ou substituição dos mesmos para assegurar o mínimo de inconvenientes ao cliente a menos que:

- ◆ O produto tenha sido utilizado para fins comerciais, profissionais ou aluguer;
- ◆ O produto tenha sido submetido a uso incorrecto ou descuido;
- ◆ O produto tenha sofrido danos causados por objectos estranhos, substâncias ou acidentes;
- ◆ Tenha um histórico de reparações efectuadas por terceiros que não sejam os agentes autorizados ou profissionais de manutenção da Black & Decker.

Para activar a garantia, será necessário enviar a prova de compra ao revendedor ou agente de reparação autorizado. Para verificar a localização do agente de reparação mais próximo de si contacte o escritório local da Black & Decker no endereço indicado neste manual. Se preferir, consulte a lista de agentes autorizados da Black & Decker e os dados completos de nossos serviços de atendimento pós-venda na Internet no endereço: [www.2helpU.com](http://www.2helpU.com).

## Användningsområde

Din Black & Decker slipmaskin är avsedd för slipning och polering av trä, metall, plast och målade ytor. Verktøget är endast avsett för bruk i hemmet.

## Säkerhetsinstruktioner

- ◆ **Varning!** När man använder elverktyg är det viktigt att man bl.a. följer nedanstående säkerhetsanvisningar för att minska risken för brand, elektriska stötar, personskador och materialskador.
- ◆ Spara bruksanvisningen lättillgängligt.
- ◆ Ta ut kontakten ur vägguttaget före inställningar, service eller underhåll.

## Håll arbetsområdet i ordning

Nedskräpade ytor och arbetsbänkar inbjuder till skador.

## Tänk på arbetsmiljöns inverkan

Utsätt inte verktyget för regn. Använd inte verktyget på fuktiga eller våta platser. Ha bra belysning över arbetsytan. Använd inte verktyget där det finns risk för eldsvåda eller explosion, t.ex. i närheten av lättantändliga vätskor eller gaser.

## Utom räckhåll för barn

Tillåt inte barn, besökande eller djur att komma i närheten av arbetsplatsen eller att röra vid verktyget eller sladden.

## Klä dig rätt

Bär inte löst hängande kläder eller smycken. De kan fastna i rörliga delar. Gummihandskar och halkfria skor rekommenderas vid utomhusarbeten. Använd hårnät om du har långt hår.

## Skyddskläder

Använd alltid skyddsglasögon. Använd ansiktsmask om arbetet förorsakar damm eller partiklar i luften. Använd hörselskydd.

## Eliminera risken för elektriska stötar

Undvik kroppskontakt med jordade ytor (t.ex. rör, värmeelement, vattenkokare och kylskåp). Elsäkerheten kan förbättras ytterligare genom användning av en jordfelsbrytare med hög känslighet (30 mA/30 mS).

## Sträck dig inte för mycket

Se till att du alltid har säkert fotfäste och balans.

## Var uppmärksam

Titta på det du gör. Använd sunt förnuft. Använd inte verktyget när du är trött.

## Sätt fast arbetsstycket

Använd skruvtvingar eller ett skruvstycke för att hålla fast arbetsstycket. Det är säkrare än att använda handen och du får bägge händerna fria för arbetet.

## Anslut dammutsugningsutrustning

Om möjligheter finns för anslutning av utrustning för dammutsugning och dammuppsamling ska sådan utrustning anslutas och användas på korrekt sätt. OBS! Anslut endast grovsugare.

## Tag bort nycklar

Kontrollera att nycklar och justerverktyg har tagits bort från verktyget innan det startas.

## Förlängningssladdar

Kontrollera förlängningssladden innan den används. Byt ut den om det behövs. Om verktyget används utomhus ska bara förlängningssladdar som är avsedda för utomhusbruk användas. Förlängningssladd upp till 30 meter kan användas utan att effekten avtar.

## Använd rätt verktyg

Använd inte verktyg för ändamål de inte är avsedda för. Tvinga inte verktyget att göra arbeten som är avsedda för kraftigare verktyg. Använd endast tillbehör och tillsatser som är rekommenderade i bruksanvisningen och katalogerna. Överbelasta inte verktyget.

**Varning!** Användning av annat verktyg eller tillbehör kan innebära risk för personskada.

## Kontrollera verktyget för skador

Kontrollera verktyget och sladden för skador innan du använder verktyget. Kontrollera att de rörliga delarna inte har fastnat eller är felmonterade. Kontrollera även att övriga delar och skydd inte är skadade och att det inte föreligger några andra fel som kan påverka verktygets funktion. Kontrollera att verktyget fungerar riktigt och kan utföra de avsedda funktionerna. Använd inte verktyget om fel uppstått på någon av dess delar. Använd inte verktyget om det inte kan kopplas till och från med strömbrytaren. Om fel uppstår skall delarna repareras eller bytas ut av en auktoriserad Black & Decker serviceverkstad. Försök aldrig reparera verktyget själv.

## Dra ur kontakten

Tag ur kontakten när verktyget inte är i bruk samt före byte av någon del av verktyget, tillbehör eller verktygsfästen eller innan serviceåtgärder utförs.

## Undvik oavsiktlig start

Bär aldrig verktyget med ett finger på strömbrytaren. Kontrollera att verktyget är avstängt innan du sätter i kontakten.

## Misshandla inte sladden

Bär aldrig verktyget i sladden och använd inte sladden för att dra ut kontakten. Utsätt inte sladden för värmekällor, olja eller skarpa kanter.

## Förvara verktyg säkert

När verktyget inte används ska det förvaras på ett torrt ställe, som antingen är låst eller högt beläget så att barn inte kan komma åt det.

## Sköt verktyget med omsorg

Håll verktyget rent och använd skarpa tillbehör för bättre prestanda och säkrare drift. Följ instruktionerna beträffande skötsel och byte av tillbehör. Håll handtagen och strömbrytare torra, rena och fria från olja och fett.

## Reparationer

Detta verktyg uppfyller gällande säkerhetskrav.

Reparationer ska utföras av en auktoriserad Black & Decker serviceverkstad som använder originaldelar, annars kan användaren utsättas för stor fara.

### Elektrisk säkerhet



Eftersom verktyget är dubbelisolerat behövs ingen jordledare. Kontrollera alltid att spänningen på nätet överensstämmer med den spänning som finns angiven på märkplåten.

### Extra säkerhetsföreskrifter för slipmaskiner

- ◆ Använd alltid ansiktsmask när du utför sliparbeten.
- ◆ Var noga med att ta bort allt slipdamm när slipningen har avslutats.
- ◆ Innan du börjar arbeta med arbetsstycken i trä, bör du sätta fast dammpåsen.
- ◆ Innan du börjar arbeta med arbetsstycken i metall, bör du ta av dammpåsen.
- ◆ Använd aldrig verktyget utan slippapper
- ◆ Använd aldrig verktyget utan slipplatta

### Slipning av blybaserad färg eller fibermaterial typ MDF

Vi tillråder inte slipning av blybaserad färg med tanke på hur svårt det är att kontrollera det förorenade dammet. Blyförgiftning utgör en mycket stor fara, särskilt för barn och gravida kvinnor. Alla byggnader från tiden före 1960 kan ha målats med färg som innehåller bly. Denna färg kan sedan ha målats över med ytterligare färglager. Innan man påbörjar arbetet, är det viktigt att avgöra om färgytan, som skall slipas, innehåller bly. Detta kan göras med en testutrustning eller av en yrkesperson (målare, dekoratör etc.)

### Personskydd

- ◆ Låt aldrig barn eller gravida kvinnor vistas på arbetsplatsen.
- ◆ Använd en specialkonstruerad ansiktsmask som skyddar mot damm från blyhaltiga färger och ångor, samt se till att personer som vistas på, eller kommer i närheten av, arbetsplatsen också är skyddade.
- ◆ Ät, drick eller rök inte på arbetsplatsen. Förvara inte matvaror eller dryck på arbetsplatsen.
- ◆ Tvätta av dig mycket noga innan du äter, dricker eller röker.

### Miljö

- ◆ Avlägsna färgen så att mängden slipdamm blir minsta möjliga.
- ◆ Inneslut arbetsytan med plastduk.
- ◆ Se till att mängden slipdamm utanför arbetsytan blir minsta möjliga.

### Rengöring

- ◆ Dammsug och rengör dagligen alla ytor inom arbetsområden med största grundlighet.

- ◆ Byt regelbundet dammpåse och filter i dammsugaren.
- ◆ Tvätta grundligt av alla föremål som exponerats för dammet, innan du använder dem igen.

### Detaljbeskrivning

Verktyget har en del eller samtliga av nedanstående funktioner.

- ◆ Strömbrytare (1)
- ◆ Variabel hastighetskontroll (2)
- ◆ Rund slipplatta (3)
- ◆ Spetsig platta (4)
- ◆ Dammpåse (5)
- ◆ Specialtillbehör (fig. J)

### Montering

**Varning!** Kontrollera att verktyget är avstängt samt att sladden är utdragen.

### Rund slipplatta

Med den här slipplattan kan du använda verktyget som excenterslip (fig. H)

### Montering och borttagning av slipplattan (fig. A)

- ◆ Placera slipplattan (3) på spindeln (6).
- ◆ Sätt brickan (7) på spindeln.
- ◆ Sätt skruven (8) i hålet i spindeln och dra åt skruven med hjälp av den medföljande insexnyckeln (9).
- ◆ Slipplattan tas av genom att man tar ut skruven och brickan.

### Montering av slippapper (fig. B)

- ◆ Håll verktyget med slipplattan (3) vänd uppåt.
- ◆ Tryck fast slippappret (10) på slipplattan. Hålen på pappret behöver inte ligga i linje med hålen i plattan.

### Spetsig slipplatta

Med den här slipplattan kan du använda verktyget som detaljslip eller som en planslip.

### Montering och borttagning av slipplatta (fig. C & D)

- ◆ Placera slipplattan (4) på spindeln (6). För finslipning av detaljer skall spetsen vara vänd framåt som på fig. C. När man slipar större ytor skall den vara vänd bakåt som på fig. D.
- ◆ Se till att stiften på plattan kommer rätt i verktyget.
- ◆ Sätt brickan (7) på spindeln.
- ◆ Sätt skruven (8) i hålet i spindeln och dra åt skruven med hjälp av den medföljande insexnyckeln (9).
- ◆ Slipplattan tas av genom att man tar ut skruven och brickan.

### Montering av slippapper (fig. E)

- ◆ Dra av de två diamantformade spetsarna (11) från slippappret (12).



- ◆ Håll verktyget med slipplattan vänd uppåt.
- ◆ Placera slippappret (12) på slipplattan och se till att hålen i pappret stämmer överens med hålen i plattan.

Den diamantformade spetsen (13) kan vändas och bytas ut när den blir sliten.

- ◆ När spetsens främre del är sliten, drar man av den från pappret, vänder på den och trycker fast den igen på slipplattan.
- ◆ När hela spetsen har slitits ut, tar man av den och sätter på en ny spets.

### Slipplattans spets (fig. F)

När spetsen på slipplattan (14) har blivit utsliten kan den vändas eller bytas ut. Detta gäller även för hållaren (15). Reservdelar finns hos din Black & Decker återförsäljare.

- ◆ Ta ut skruven (16).
- ◆ Vänd den slitna delen helt om eller byt ut den.
- ◆ Sätt i skruven och dra åt.

### Specialtillbehör (fig. J)

Med det här tillbehöret kan du bearbeta spår och rännor och använda slipplattan på båda sidor.

- ◆ Ta bort slipplattans spets med hållare (fig. F).
- ◆ Montera specialtillbehörets platta (22) på spetsen till den spetsiga plattan.
- ◆ Fäst specialtillbehörspattan med skruven (21).
- ◆ Fäst huvudslippappret undertill på specialplattan. En del av pappret fästes framtill på den spetsiga plattan.

För att slipa jalusidörrar på båda sidor, kan slippapper fästas på specialtillbehörets ovansida.

- ◆ Ta av täckpappret (20) från kardborrefästet (19).
- ◆ Fäst kardborrefästet längst fram på ovansidan av specialtillbehöret.
- ◆ Fäst slippappret (18) på kardborrefästet.

## Användning

**Varning!** Täck aldrig över luftspringorna medan du använder verktyget. Håll verktyget som fig. I visar. Se till att slipplattan ligger platt mot arbetsstycket.

### Starta och stoppa verktyget

- ◆ Om verktyget är försett med en ratt för variabel hastighet (2) så använd den för inställning av önskad hastighet. I allmänhet bör man använda låga hastigheter när man slipar eller polerar plast. Använd höga hastigheter för trä och metall.
- ◆ Tryck på 'I' på strömbrytaren (1) för att starta verktyget.
- ◆ Tryck på '0' på strömbrytaren (1) för att stänga av verktyget.

### Automatiskt bromssystem (ABS)

Det här verktyget har ett automatiskt bromssystem.

När verktyget inte ligger an mot arbetsytan, ser den här funktionen till att hastigheten på plattan inte överstiger motorvarvet. Plattan stannar snabbt när verktyget stängs av.

### Anslutning av grovsugare

Det behövs en adapter för att ansluta en grovsugare till verktyget. Adapter finns som extra tillbehör.

### Tömning av damppåse (fig. G)

Töm damppåsen var 10:e minut när du arbetar med verktyget.

- ◆ Håll verktyget med damppåsen (5) vänd neråt.
- ◆ Kläm åt knapparna (17) så att damppåsen lossnar.
- ◆ Sätt tillbaka damppåsen så att den knäpper fast.

Tvätta aldrig damppåsen.

### Tillbehör

Verktygets användningsområde beror på vilket tillbehör du väljer. Black & Decker- och Piranhatillbehören är av hög kvalitet. Genom att använda dessa tillbehör kan du få ut mesta möjliga av verktyget.

### Skötsel

Ditt verktyg har tillverkats för att fungera under lång tid med ett minimum av underhåll. Med rätt underhåll och regelbunden rengöring behåller verktyget sina prestanda.

### Miljö



När ditt verktyg är utslitet, skydda naturen genom att inte slänga det tillsammans med vanligt avfall. Lämna det till de uppsamlingsställen som finns i din kommun eller där du köpt verktyget.

### Tekniska data

	KA225	KA225EK
Ineffekt	W 170	170
Obelastad hastighet	min <sup>-1</sup> 10.500	6.000 - 10.500

### CE-försäkran om överensstämmelse

Black & Decker förklarar att dessa verktyg är konstruerade i överensstämmelse med: 98/37/EEG, 89/336/EEG, 73/23/EEG, EN 50144, EN 55014, EN 61000

$L_{pA}$  (ljudtryck): 77 dB(A),  $L_{WA}$  (ljudeffekt) 90 dB(A), vägd geometrisk medelvärde av vibrationsfrekvensen < 2.5 m/s<sup>2</sup>



Kevin Hewitt  
Director of Consumer Engineering  
Spennymoor, County Durham DL16 6JG,  
United Kingdom

## Reservdelar / reparationer

Reservdelar finns att köpa hos auktoriserade Black & Decker verkstäder, som även ger kostnadsförslag och reparerar våra produkter.

Förteckning över våra auktoriserade verkstäder finns på Internet, vår hemsida [www.blackdecker.se](http://www.blackdecker.se) samt [www.2helpU.com](http://www.2helpU.com).

## Garanti

Black & Decker garanterar att produkten är fri från material- och/eller fabriktionsfel vid leverans till kund. Garantin är i tillägg till konsumentens lagliga rättigheter och påverkar inte dessa. Garantin gäller inom medlemsstaterna i Europeiska Unionen och i det Europeiska Frihandelsområdet.

Om en Black & Decker produkt går sönder på grund av material- och/eller fabriktionsfel eller brister i överensstämmelse med specifikationen, inom 24 månader från köpet, åtar sig Black & Decker att reparera eller byta ut produkten med minsta besvär för kunden.

Garantin gäller inte för fel som beror på:

- ◆ normalt slitage
- ◆ felaktig användning eller skötsel
- ◆ att produkten skadats av främmande föremål, ämnen eller genom olyckshändelse

Garantin gäller inte om reparation har utförts av någon annan än en auktoriserad Black & Decker verkstad.

För att utnyttja garantin skall produkten och inköpskvittot lämnas till återförsäljaren eller till en auktoriserad verkstad senast 2 månader efter det att felet har upptäckts. För information om närmaste auktoriserad verkstad; kontakta det lokala Black & Decker kontoret på den adress som är angiven i bruksanvisningen. En lista på alla auktoriserade verkstäder samt servicevillkor finns även tillgängligt på Internet, adress: [www.2helpU.com](http://www.2helpU.com).

## Bruksområder

Sliperen fra Black & Decker er utformet for sliping og polering av treverk, metall, plast og malte overflater. Verktøyet er kun beregnet på bruk i hjemmet.

## Sikkerhetsinstruksjoner

- ◆ **Advarsel!** Ved bruk av elektroverktøy, må du alltid følge en del grunnleggende sikkerhetsregler, inkludert følgende, for å redusere faren for brann, elektrisk støt, personskade og materialskade.
- ◆ Ta deg tid til å lese nøye gjennom bruksanvisningen før du begynner å bruke verktøyet.
- ◆ Oppbevar bruksanvisningen på et lett tilgjengelig sted.
- ◆ Trekk støpselet ut av kontakten før du utfører justeringer, service eller vedlikehold.

### Hold arbeidsområdet rent og ryddig

En uryddig arbeidsplass innbyr til skader.

### Tenk på arbeidsmiljøets innvirkning

Utsett ikke verktøyet for regn. Bruk ikke verktøyet under våte eller fuktige forhold. Pass på at arbeidsområdet er godt opplyst. Bruk ikke verktøyet hvor det er fare for forårsaking av brann eller en eksplosjon, f. eks. i nærheten av brannfarlige væsker eller gasser.

### Hold barn unna

Ikke la barn, besøkende eller dyr komme i nærheten av arbeidsområdet eller berøre verktøyet eller strømkabelen.

### Kle deg riktig

Ha ikke på deg løstsittende klær eller smykker. De kan sette seg fast i de bevegelige delene. Vi anbefaler gummihansker og sko som ikke glir når du arbeider utendørs. Bruk hårnett hvis du har langt hår.

### Personlig vern

Bruk vernebriller. Bruk en ansikts- eller støvmaske når operasjonene kan forårsake støv eller flyvende partikler. Bruk ørevern.

### Vern mot elektrisk støt

Unngå kroppskontakt med jordede overflater (f. eks. rør, radiatorer, komfyrer og kjøleskap). Strømsikkerheten kan forbedres ytterligere ved bruk av jordfeilbryter med høy følsomhet (30 mA/30 mS).

### Strekk deg ikke for langt

Pass på at du alltid har sikkert fotfeste og balanse.

### Vær oppmerksom

Se på det du gjør. Bruk sunn fornuft. Bruk ikke maskinen når du er trett.

### Sikre arbeidsstykket

Bruk tvinger eller skrustikker til å feste arbeidsstykket med. Dette er sikrere enn å bruke hånden, og du får begge hendene fri til å styre verktøyet.

## Kople til støvutsugsutstyr

Hvis det følger med utstyr for tilkoping av støvutsug og støvoppsamling, må du sørge for at dette koples til og brukes riktig. NB! Benytt kun grovsugere!

### Fjern nøkler

Gjør det til vane å sjekke om nøkler og justeringsverktøy er fjernet før verktøyet startes.

### Skjøteledninger

Før bruk må du kontrollere skjøteledningen og bytte den ut hvis den er skadet. Når du bruker verktøyet utendørs, må du kun bruke skjøteledninger beregnet for utendørs bruk. Skjøteledning på opptil 30 m kan brukes uten effekttap.

### Bruk riktig verktøy

Bruk ikke verktøyet til formål det ikke er ment for. Tving ikke en maskin til å gjøre arbeid som krever kraftigere verktøy. Bruk bare tilbehør og utstyr som anbefales i bruksanvisningen og i katalogene. Overbelast ikke verktøyet.

**Advarsel!** Bruk av annet verktøy eller tilbehør kan medføre en mulig risiko for personskade.

### Sjekk verktøyet for skader

Kontroller verktøyet og strømledningen grundig for skade før bruk. Se etter feiljusteringer, om deler har satt seg fast eller har gått i stykker, skadede deksler og brytere eller andre forhold som kan påvirke bruken av verktøyet. Kontroller at verktøyet fungerer som det skal og utfører beregnet funksjon. Bruk aldri verktøyet hvis noen av delene er skadet. Ikke bruk verktøyet hvis det ikke er mulig å slå det på og av med strømbryteren. Hvis noen av delene er skadet så få de reparert eller byttet ut av et autorisert Black & Decker serviceverksted. Prøv aldri å reparere selv.

### Trekk ut støpselet

Trekk ut støpselet når verktøyet ikke er i bruk, før du bytter noen av delene på verktøyet, tilbehør eller tilslutning og før vedlikeholdelse.

### Unngå utilsiktet start

Bær aldri verktøyet med fingeren på strømbryteren. Pass på at verktøyet er slått av når du setter i støpselet.

### Ikke mislighold ledningen

Ikke bær verktøyet etter ledningen eller trekk i ledningen når du skal ta ut støpselet. Utsett ikke ledningen for varme, olje, eller skarpe kanter.

### Oppbevar verktøy på et trygt sted

Når verktøyet ikke er i bruk, bør det oppbevares på et tørt sted som er låst eller høyt oppe, utenfor barns rekkevidde.

### Vær nøye med vedlikeholdet

Hold verktøyet rent og bruk skarpe tilbehør for bedre prestasjon og sikrere drift. Følg forskriftene når det gjelder vedlikehold og skifte av tilbehør. Hold håndtakene og brytere tørre, rene og fri for olje og fett.

### Reparasjoner

Dette verktøyet overholder relevante sikkerhetskrav.

Reparasjoner må bare utføres av autoriserte Black & Decker serviceverksteder som benytter originale reservedeler, ellers kan det være farlig å bruke utstyret.

## Elektrisk sikkerhet



Dette verktøyet er dobbeltisolert. Jordet ledning er derfor ikke nødvendig. Kontroller at nettspenningen er i overensstemmelse med spenningen på typeskiltet.

## Ekstra sikkerhetsinstruksjoner for sliper

- ◆ Bruk alltid maske når du sliper.
- ◆ Fjern alt støv grundig etter sliping.
- ◆ Før du bruker verktøyet på arbeidsemner av tre, må du montere støvposen.
- ◆ Før du bruker verktøyet på arbeidsemner av metall, må du fjerne støvposen.
- ◆ Bruk aldri verktøyet uten slipepapir.
- ◆ Bruk aldri verktøyet uten slipeplaten.

## Sliping av blybasert maling eller fibermaterialet MDF

Vi anbefaler ikke sliping av blybasert maling, fordi det er vanskelig å kontrollere det forurensede støvet. Barn og gravide står i størst fare for blyforgiftning. Alle bygninger fra før 1960 kan ha blitt malt med maling som inneholder bly.

Denne malingen kan være dekket av flere andre lag med maling. Før du begynner arbeidet må du finne ut om malingen som skal slipes, inneholder bly. Dette kan du gjøre ved å bruke en testpakke som du får fra fargehandlere eller malere.

## Personlig vern

- ◆ La ikke barn eller gravide komme inn der du arbeider.
- ◆ Bruk en spesialmaske som beskyttelse mot støv og gasser fra blyholdig maling, og pass på at andre som kommer inn der du arbeider, også beskytter seg
- ◆ Ikke spis, drikk eller røyk der du arbeider. Ikke oppbevar mat eller drikke i arbeidsområdet.
- ◆ Vask deg godt før du spiser, drikker eller røyker.

## Miljø

- ◆ Fjern malingen på en slik måte at støvmengden minimaliseres.
- ◆ Steng av arbeidsområdet ved å henge opp plast.
- ◆ Minimaliser støvmengden utenfor arbeidsområdet.

## Rengjøring

- ◆ Støvsug og rengjør alle overflater i arbeidsområdet grundig hver dag.
- ◆ Bytt støvposen og filtrene i støvsugeren ofte.
- ◆ Vask alle gjenstander som utsettes for støv nøyte før du bruker dem igjen.

## Funksjoner

Dette verktøyet har noen av eller alle følgende funksjoner:

- ◆ Strømbryter (1)
- ◆ Variabel hastighetskontroll (2)
- ◆ Rund slipeplate (3)
- ◆ Spiss slipeplate (4)
- ◆ Støvpose (5)
- ◆ Spesialtilbehør (fig. J)

## Montering

**Advarsel!** Kontroller at verktøyet er slått av, og at ledningen er trukket ut.

### Rund slipeplate

Med denne slipeplaten kan du bruke verktøyet som en eksentersliper (fig. H).

### Sette på og ta av slipeplaten (fig. A)

- ◆ Sett slipeplaten (3) på spindelen (6).
- ◆ Plasser skiven (7) på spindelen.
- ◆ Sett skruen (8) inn i hullet i spindelen, og stram skruen ved hjelp av vedlagte sekskantnøkkel (9).
- ◆ Hvis du vil ta av slipeplaten, fjerner du skruen og skiven.

### Montere slipepapir (fig. B)

- ◆ Hold verktøyet med slipeplaten (3) vendt opp.
- ◆ Plasser slipepapiret (10) på slipeplaten. Hullene i papiret behøver ikke å passe nøyaktig med hullene i platen.

### Spiss slipeplate

Med denne slipeplaten kan du bruke verktøyet både som detaljsliper og plansliper.

### Sette på og ta av slipeplaten (fig. C & D)

- ◆ Sett slipeplaten (4) på spindelen (6). Til detaljsliping skal den spisse enden stå forover, som på fig. C. Ved sliping av større områder, skal den spisse enden stå bakover, som i fig. D.
- ◆ Pass på at stiften til platen festes rett i verktøyet.
- ◆ Plasser skiven (7) på spindelen.
- ◆ Sett skruen (8) inn i hullet i spindelen, og stram skruen ved hjelp av vedlagte sekskantnøkkel (9).
- ◆ Hvis du vil ta av slipeplaten, fjerner du skruen og skiven.

### Sette på slipepapir (fig. E)

- ◆ Ta av de to diamantformede spissene (11) fra slipepapiret (12).
- ◆ Hold verktøyet med slipeplaten vendt oppover.
- ◆ Plasser slipepapiret (12) på slipeplaten, og sørg for at hullene på papiret er på linje med hullene i platen.

Den diamantformede spissen (13) kan snus, og skiftes når den er utslitt.

- ◆ Når fremre del av spissen er slitt, river du den av papiret, snur den, og trykker den fast på slipeplaten igjen.
- ◆ Når hele spissen er slitt, fjerner du den fra slipeplaten og setter på en ny spiss.

### Spissen på slipeplaten (fig. F)

Når spissen på slipeplaten (14) eller spissholderen (15) er utslitt, kan den snus eller byttes. Reservedeler er tilgjengelig fra din Black & Decker-forhandler

- ◆ Fjern skruen (16).
- ◆ Snu eller bytt ut den slitte delen.
- ◆ Sett på og stram skruen.

### Spesialtilbehør (fig. J)

Med dette tilbehøret kan du bearbeide spor og renner og bruke slipeplaten på begge sider.

- ◆ Fjern spissen på slipeskiven og spissholderen (fig. F).
- ◆ Sett på spesialtilbehøret (22) over spissen på den spisse skiven.
- ◆ Fest spesialtilbehøret med skruen (21).
- ◆ Fest det store slipepapirarket på undersiden av spesialplaten. »En del av papiret festes på forsiden av den spisse platen.«

For å slipe sjalusidører på begge sider, kan slipepapir monteres på oversiden av spesialtilbehøret.

- ◆ Fjern papirbaksiden (20) fra borrelåsfestet (19).
- ◆ Fest borrelåsfestet lengst fremme på oversiden av spesialtilbehøret.
- ◆ Sett slipepapiret (18) på borrelåsfestet.

## Bruk

Advarsel! Ikke tildekk ventilasjonsåpningene når du bruker verktøyet. Hold verktøyet som vist i fig. I. Pass på at slipeplaten ligger flatt mot arbeidsemnet.

### Slå på og av

- ◆ Hvis verktøyet har en bryter for variabel hastighet (2), stilles den til ønsket hastighetsområde. En bør vanligvis bruke lav hastighet ved polering og ved sliping av plast. Bruk høy hastighet for tre og metall.
- ◆ Trykk på 'I' på strømbryteren (1) for å slå på verktøyet.
- ◆ Trykk på 'O' på strømbryteren (1) for å slå av verktøyet.

### Automatisk bremsesystem (ABS)

Dette verktøyet har et automatisk bremsesystem. Når verktøyet ikke holdes mot arbeidsflaten, holder denne funksjonen hastigheten på den runde platen lavere enn motorhastigheten. Når verktøyet slås av, vil platen stoppe svært raskt.

### Kople til grovstøvsuger

Hvis du vil kople en grovsuger til verktøyet, trenger du en adapter, som er tilgjengelig som tilleggsutstyr.

### Tømme støvposen (fig. G)

Støvposen må tømmes hvert 10. minutt under bruk.

- ◆ Hold verktøyet med støvposen (5) ned.
- ◆ Klem på knappene (17) for å utløse støvposen.
- ◆ Sett på støvposen igjen. Pass på at den klikker på plass. Ikke vask støvposen.

### Tilbehør

Verktøyets bruksområde er avhengig av hvilket tilbehør du velger. Tilbehør fra Black & Decker og Piranha er utformet i henhold til høye kvalitetsstandarder og er utformet for å gi optimal ytelse ved bruk sammen med ditt verktøy. Når du bruker dette tilbehøret, får du optimal ytelse fra ditt verktøy.

### Vedlikehold

Ditt verktøy har blitt utformet for å være i drift over en lang periode med et minimum av vedlikehold. Med riktig vedlikehold og regelmessig rengjøring beholder verktøyet ytelsen.

### Miljø



Når verktøyet ditt er utslitt, beskytt naturen ved ikke å kaste det sammen med vanlig avfall. Lever det til en oppsamlingsplass som finnes i din kommune eller der hvor du kjøpte verktøyet.

### Tekniske data

	KA225	KA225EK
Inn-effekt	W 170	170
Hastighet ubelastet	min <sup>-1</sup> 10.500	6.000 - 10.500

### CE-sikkerhetserklæring

Black & Decker erklærer at disse verktøyer er konstruert i henhold til: 98/37/EØF, 89/336/EØF, 73/23/EØF, EN 50144, EN 55014, EN 61000

$L_{PA}$  (lydnivå): 77 dB(A),  $L_{WA}$  (akustisk effekt) 90 dB(A), veid geometrisk middelvei av vibrasjonsfrekvensen < 2.5 m/s<sup>2</sup>

Kevin Hewitt  
Director of Consumer Engineering  
Spennymoor, County Durham DL16 6JG,  
United Kingdom

## Reservdelar / reparasjoner

Reservdelar kan kjøpes hos autoriserte Black & Decker serviceverksteder, som også gir kostnadsoverslag og reparerer våre produkter.

Oversikt over våre autoriserte serviceverksteder finnes på Internet, vår hjemmeside [www.blackdecker.no](http://www.blackdecker.no) samt [www.2helpU.com](http://www.2helpU.com).

## Garanti

Black & Decker garanterer at produktet ikke har material- og/eller fabrikkasjonsfeil ved levering til kunde. Garantien er i tillegg til kundens lovlige rettigheter og påvirker ikke disse. Garantien gjelder innen medlemsstatene i den Europeiske Unionen og i det Europeiske Frihandelsområdet.

Hvis et Black & Decker produkt går i stykker på grunn av material- og/eller fabrikkasjonsfeil eller har mangler i forhold til spesifikasjonene, innen 24 måneder fra kjøpet, påtar Black & Decker seg å reparere eller bytte ut produktet med minst mulig vanskelighet for kunden.

Garantien gjelder ikke for feil som kommer av:

- ◆ normal slittasje
- ◆ feilaktig bruk eller vedlikehold (mislighold)
- ◆ at produktet har blitt skadet av fremmede gjenstander, emner eller ved et uhell

Det gjøres oppmerksom på at produktet ikke er beregnet på industriell/profesjonell/yrkesmessig bruk, men til hus- og hjemmebruk.

Garantien gjelder ikke om reparasjoner har blitt utført av noen andre enn et autorisert Black & Decker serviceverksted.

For å ta garantien i bruk skal produktet og kjøpekvittering leveres til forhandleren eller til et autorisert serviceverksted senest 2 måneder etter at feilen har blitt oppdaget. For informasjon om nærmeste autoriserte serviceverksted; kontakt det lokale Black & Decker kontoret på den adressen som er angitt i bruksanvisningen. En oversikt over alle autoriserte serviceverksteder samt servicevilkår finnes også tilgjengelig på Internet, adresse: [www.2helpU.com](http://www.2helpU.com).

## Anvendelsesområde

Din Black & Decker slibemaskine er designet til slibning og pudning af træ, metal, plastic og malede overflader. Dette værktøj er kun beregnet til privat brug.

## Sikkerhedsinstruktioner

- ◆ **Advarsel!** Ved brug af elværktøj skal de grundlæggende sikkerhedsforanstaltninger altid følges, således at risikoen for brand, elektrisk stød, person- og materialeskader mindskes.
- ◆ Læs denne brugsanvisning igennem, inden værktøjet tages i brug.
- ◆ Opbevar brugsanvisningen let tilgængeligt.
- ◆ Tag altid stikket ud af kontakten, før der foretages justering, service eller vedligeholdelse.

### Hold arbejdsområdet i orden

Risikoen for uheld er mindre hvis man holder orden omkring arbejdsområdet.

### Tænk på arbejdsmiljøets indflydelse

Udsæt ikke værktøjet for regn. Anvend ikke værktøjet på fugtige eller våde pladser. Sørg for en god belysning over arbejdsområdet. Anvend ikke værktøjet hvor der eksisterer risiko for at brand kan opstå eller eksplosioner forekomme, som følge af brug af værktøjet. F. eks. aldrig i nærheden af let antændelige væsker eller gasser.

### Hold børnene på afstand

Børn, besøgende eller dyr må ikke nærme sig arbejdsområdet eller røre ved værktøjet eller netkablet.

### Klæd dig rigtigt på

Bær ikke løst hængende tøj eller smykker. De kan sidde fast i bevægelige dele. Gummihandsker og skridsikre sko anbefales ved udendørs arbejde. Brug hårnet, hvis du har langt hår.

### Personlig beskyttelse

Brug beskyttelsesbriller. Brug ansigts- eller støvmaske, når brug af værktøjet kan medføre støv eller flyvende partikler. Der bør bruges høreværn.

### Beskyttelse mod elektrisk stød

Undgå kropskontakt med jordede emner (f.eks. rør, radiatorer, komfurer og køleskabe). Den elektriske sikkerhed kan forbedres yderligere ved brug af en højfølsom (30 mA / 30 mS) fejlstrømsafbryder (RCD).

### Stræk dig ikke for meget

Sørg for, at du altid har sikkert fodfæste og balance.

### Vær opmærksom

Se på det, du gør. Brug din sunde fornuft. Brug ikke værktøjet, når du er træt.

### Sæt arbejdsemnet fast

Brug skruetvinger eller skruestik for at spænde arbejdsemnet fast. Det er sikrere end at bruge hånden, og du får begge hænder fri til arbejdet.

## Tilslut støvudsugningsudstyret

Hvis der findes enheder til tilslutningsfunktionerne støvudsugning og støvopsamling, skal man sørge for, at disse tilsluttes og bruges korrekt. OBS! Tilslut kun grovstovsuger.

### Fjern nøglerne

Kontrollér at nøgler og justérværktøj er fjernet fra værktøjet, inden det startes.

### Forlængerkabler

Før brugen skal forlængerkablet efterses og udskiftes, hvis det er skadet. Ved brug af værktøjet udendørs må man kun benytte forlængerledninger, der er beregnet til udendørs brug. Der kan bruges op til 30 m Black & Decker forlængerkabel uden at styrken forringes.

### Brug det rigtige værktøj

Brugen af værktøjet er beskrevet i denne brugsanvisning. Tving ikke elværktøj til at udføre arbejde, som er beregnet til kraftigere værktøj. Brug kun tilbehør og dele, der er anbefalet i brugsanvisningen og katalogerne. Værktøjet må ikke forceres.

**Advarsel!** Anvendelsen af andet tilbehør eller udførelse af opgaver med andet værktøj end det her anbefalede kan medføre risiko for personskader.

### Kontrollér værktøjet for skader

Kontrollér omhyggeligt værktøjet og ledningen for beskadigelser, før det tages i brug. Check de bevægelige dele for skæv indstilling og sammenbrændinger, kontrollér for brud på dele, skader på skærme og kontakter samt alt andet, der kan påvirke værktøjets funktion. Kontrollér, at værktøjet fungerer rigtigt og kan udføre det arbejde, det er beregnet til. Værktøjet må ikke benyttes, hvis en af delene er beskadiget eller defekt. Brug ikke værktøjet, hvis det ikke kan tændes og slukkes ved afbryderen. Skadede eller defekte dele skal repareres eller udskiftes af en autoriseret tekniker. Man må aldrig forsøge selv at reparere værktøjet.

### Afbryd værktøjet

Afbryd værktøjet når det er ude af brug og før udskiftning af enhver værktøjsdel, tilbehør eller andet udstyr.

### Undgå utilsigtet start af værktøjet

Bær ikke værktøjet med en finger på tænd/sluk knappen. Sørg for, at værktøjet er slukket, når ledningen tilsluttes strømmen.

### Vær forsigtig med ledningen

Man må aldrig bære værktøjet i ledningen eller tage det ud af stikkontakten ved at rive i ledningen. Ledningen skal holdes på afstand af varme, olie og skarpe kanter.

### Opbevar værktøjet sikkert, når det ikke bruges

Når værktøjet ikke er i brug, skal det opbevares på et tørt sted, aflåst eller anbragt højt udenfor børns rækkevidde.

### Vedligehold værktøjet omhyggeligt

Skærende værktøjer skal holdes skarpe og rene, for på denne måde at opnå et bedre og mere sikkert brug. Følg vedligeholdelsesvejledningen samt vejledningen til udskiftning af tilbehør. Hold håndtag og knapper tørre, rene og fri for olie og fedt.

## Reparationer

Dette værktøj opfylder de relevante sikkerhedskrav.

Reparationer må kun foretages af dertil kvalificerede personer, som bruger originale reservedele. I modsat fald kan der opstå betydelig fare for brugeren.

## Elektrisk sikkerhed



Værktøjet er dobbelt isoleret; derfor er jordledning ikke nødvendig. Kontrollér altid, at strømforsyningen svarer til spændingen på typeskiltet.

## Yderligere sikkerhedsvejledninger for slibemaskiner

- ◆ Man bør altid bære støvmaske, når man sliber.
- ◆ Man skal grundigt fjerne alt støv efter slibning.
- ◆ Sæt støvposen i, før maskinen bruges til arbejdsstykker af træ.
- ◆ Fjern støvposen, før maskinen bruges til arbejdsstykker af metal.
- ◆ Benyt aldrig værktøjet uden slibepapir.
- ◆ Benyt aldrig værktøjet uden slibgrundplade.

## Slibning af blybaseret maling eller MDF

Slibning af blybaseret maling kan ikke anbefales, da det er vanskeligt at styre det forurenede støv. Børn og gravide kvinder er mest udsat for blyforgiftning. Alle bygninger fra før 1960 kan før i tiden være blevet malet med maling, der indeholder bly. Denne maling kan være dækket af flere lag maling. Før arbejdet påbegyndes, er det vigtigt at afgøre, om den maling, der skal slibes af, indeholder bly. Dette kan gøres med et test kit eller med hjælp fra en professionel (f.eks. maler eller dekoratør).

## Personlig beskyttelse

- ◆ Børn og gravide kvinder må ikke betræde arbejdsområdet.
- ◆ Man skal bære en specielt designet støvmaske til beskyttelse mod støv frembragt af blybaseret maling og blybaserede dampe, samt sikre sig, at personer inden for arbejdsområdet også er beskyttet.
- ◆ Man må hverken spise, drikke eller ryge inden for arbejdsområdet. Man må ikke opbevare mad eller drikke inden for arbejdsområdet.
- ◆ Efterfølgende skal man vaske sig omhyggeligt før man spiser, drikker eller ryger.

## Miljø

- ◆ Fjern malingen på en sådan måde, at støvmængden er minimal.
- ◆ Dæk arbejdsområdet til med plasticfolie.
- ◆ Sørg for, at mængden af støv uden for området er minimal.

## Rengøring

- ◆ Alle flader i arbejdsområdet skal støvsuges og gøres rene hver dag.

- ◆ Skift regelmæssigt støvpose og filter i støvsugeren.
- ◆ Vask alle andre genstande, der er udsat for støv, før de bruges igen.

## Funktioner

Dette værktøj har nogle af følgende funktioner eller dem alle:

- ◆ Strømafbryder (1)
- ◆ Styling af variabel hastighed (2)
- ◆ Rund grundplade (3)
- ◆ Spids grundplade (4)
- ◆ Støvpose (5)
- ◆ Specialtilbehør (fig. J)

## Montering

**Advarsel!** Man skal sikre sig, at værktøjet er slukket og taget ud af stikkontakten.

### Rund grundplade

Med denne slibgrundplade kan du bruge værktøjet som excentersliber (fig. H).

### Af- og påmontering af slibgrundpladen (fig. A)

- ◆ Placer slibgrundpladen (3) på spindelen (6).
- ◆ Placer spændskiven (7) på spindelen.
- ◆ Sæt skruen (8) i hullet i spindelen og stram skruen med den vedlagte stiftnøgle (9).
- ◆ Fjern slibgrundpladen ved at fjerne skruen og spændskiven.

### Påsætning af slibepapir (fig. B)

- ◆ Hold værktøjet med slibgrundpladen (3) vendende opad.
- ◆ Tryk slibepapiret (10) ned på slibgrundpladen. Hullerne i papiret behøver ikke at flugte med hullerne i grundpladen.

### Spids grundplade

Med denne slibgrundplade kan du bruge værktøjet som slibemaskine til detaljeslibning eller rystepudserarbejde.

### Af- og påmontering af slibgrundpladen (fig. C & D)

- ◆ Placer slibgrundpladen (4) på spindelen (6). Til slibning af detaljer skal den spidse ende vende fremad som vist i fig. C. Til slibning af store arealer, skal den spidse ende vende bagud som vist i fig. D.
- ◆ Sørg for at grundpladens ben befinder sig i værktøjet.
- ◆ Placer spændskiven (7) på spindelen.
- ◆ Sæt skruen (8) i hullet i spindelen og stram skruen med den vedlagte stiftnøgle (9).
- ◆ Fjern slibgrundpladen ved at fjerne skruen og spændskiven.

### Påsætning af slibepapir (fig. E)

- ◆ Tag de to diamantformede spidser (11) af slibepapiret (12).
- ◆ Hold værktøjet med slibgrundpladen vendende opad.



- ◆ Placer slibepapiret (12) på slibegrundpladen, og sørg for, at hullerne i papiret passer sammen med hullerne i grundpladen.

Den diamantformede spids (13) kan vendes om og sættes fast igen, når den er blevet slidt.

- ◆ Når den forreste del af spidsen er slidt, løsnes den fra papiret, vendes og trykkes fast på slibegrundpladen igen.
- ◆ Når hele spidsen er slidt, fjernes den fra slibegrundpladen, og der monteres en ny spids.

### Slibegrundpladens spids (fig. F)

Når slibegrundpladens spids (14) eller spidsholder (15) er slidt, kan den vendes eller udskiftes. Reservedele fås hos din Black & Decker forhandler.

- ◆ Fjern skruen (16).
- ◆ Vend eller udskift den slidte del.
- ◆ Sæt skruen i og stram den.

### Specialtilbehør (fig. J)

Med dette tilbehør kan du arbejde i spalter og bruge slibegrundpladen på begge sider.

- ◆ Tag spidsen og spidsholderen (fig. F) af slibegrundpladen.
- ◆ Sæt specialtilbehørspladen (22) over spidsen på den spidse grundplade.
- ◆ Lås specialtilbehørspladen med skruen (21).
- ◆ Klæb slibepapiret på undersiden af specialtilbehørspladen. En del af det vil klæbe til den forreste del af den spidse grundplade.

Til nedslibning af lameller på begge sider kan der sættes slibepapir på oversiden af tilbehøret.

- ◆ Fjern papiret (20) bag på velcrolukningen (19).
- ◆ Sæt velcrolukningen på specialtilbehørspladen flade foroven.
- ◆ Sæt slibepapiret (18) på velcrolukningen.

## Brug

**Advarsel!** Dæk ikke ventilationshullerne, mens værktøjet er i brug. Hold værktøjet som vist i fig. I. Sørg for at slibegrundpladen ligger fladt på arbejdsstykket.

### Tænding og slukning

- ◆ Hvis værktøjet har en betjeningsknap til variabel hastighed (2), sættes denne på det nødvendige hastighedsområde. Brug som en generel regel en lav hastighed til pudsning og slibning af plastic. Brug en høj hastighed til træ og metal.
- ◆ For at tænde værktøjet skal man trykke på den del af afbryderen (1), der er markeret 'I'.
- ◆ For at slukke værktøjet skal man trykke på den del af afbryderen (1), der er markeret '0'.

### Automatisk bremsesystem (ABS)

Dette værktøj har automatisk bremsesystem. Når værktøjet ikke rører ved en arbejdsoverflade, holder denne funktion hastigheden af den runde grundplade nede under motorens hastighed. Når værktøjet er slukket, standser grundpladen meget hurtigt.

### Tilslutning af en grovstøvsuger

For at tilslutte en grovstøvsuger til værktøjet skal der bruges en speciel adapter, der fås som ekstraudstyr.

### Tømning af støvposen (fig. G)

Støvposen skal tømmes hvert 10. minut.

- ◆ Hold værktøjet, så støvposen (5) vender nedad.
- ◆ Klem knapperne (17) for at løsne støvposen.
- ◆ Sæt støvposen på igen ved at lade den klikke på plads.

Vask ikke støvposen.

## Tilbehør

Værktøjets ydeevne afhænger af, hvilket tilbehør der bruges. Black & Decker- og Piranha-tilbehør er konstrueret, så det opfylder høje kvalitetsstandarder, og det er beregnet til at forbedre værktøjets ydeevne. Bruger du dette tilbehør, vil du få det allerbedste ud af værktøjet.

## Vedligeholdelse

Værktøjet er beregnet til at være i drift gennem en længere periode med en minimal vedligeholdelse. Fortsat tilfredsstillende drift afhænger af en korrekt behandling af værktøjet samt regelmæssig rengøring.

## Miljø



Når dit værktøj er udtjent, beskyt da naturen ved ikke at smide det ud sammen med det almindelige affald. Aflever det til de opsamlingssteder, der findes i din kommune eller der hvor du købte værktøjet.

### Tekniske data

	KA225	KA225EK
Motoreffekt	W 170	170
Ubelastet hastighed	min <sup>-1</sup> 10.500	6.000 - 10.500

### EU-overensstemmelseserklæring

Black & Decker erklærer, at disse værktøjer er konstrueret i henhold til: 98/37/EØF, 89/336/EØF, 73/23/EØF, EN 50144, EN 55014, EN 61000

$L_{PA}$  (lydniveau): 77 dB(A),  $L_{WA}$  (akustisk styrke) 90 dB(A), hånd/arm vægt vibration < 2.5 m/s<sup>2</sup>



Kevin Hewitt  
Director of Consumer Engineering  
Spennymoor, County Durham DL16 6JG,  
United Kingdom

## Reservedele / reparationer

Reservedele kan købes hos autoriserede Black & Decker serviceværksteder, som giver forslag til omkostninger og reparerer vore produkter. Oversigt over vore autoriserede værksteder findes på internettet på vor hjemmeside [www.blackdecker.dk](http://www.blackdecker.dk) samt [www.2helpU.com](http://www.2helpU.com).

## Garanti

Black & Decker garanterer, at produktet er fri for materielle skader og/eller fabrikationsfejl ved levering til kunden. Garantien er et tillæg til konsumentens lovlige rettigheder og påvirker ikke disse. Garantien gælder indenfor medlemsstaterne af den Europæiske Union og i det Europæiske Frihandelsområde.

Hvis et Black & Decker produkt går i stykker på grund af materiel skade og/eller fabrikationsfejl eller på anden måde ikke fungerer i overensstemmelse med specifikationen, inden for 24 måneder fra købsdatoen, påtager Black & Decker sig at reparere eller ombytte produktet med mindst muligt besvær for kunden.

Garantien gælder ikke for fejl og mangler, der er sket i forbindelse med:

- ◆ normal slitage
- ◆ uheldige følger efter unormal anvendelse af værktøjet
- ◆ overbelastning, hærværk eller overdrevent intensivt brug af værktøjet
- ◆ ulykkeshændelse

Garantien gælder ikke hvis reparationer er udført af nogen anden end et autoriseret Black & Decker værksted.

For at udnytte garantien skal produktet og købskvitteringen indleveres til forhandleren eller til et autoriseret værksted, senest 2 måneder efter at fejlen opdages. For information om nærmeste autoriserede værksted: kontakt det lokale Black & Decker kontor på den adresse som er opgivet i brugsanvisningen. Liste over alle autoriserede Black & Decker serviceværksteder samt servicevilkår er tilgængelig på internettet, på adressen [www.2helpU.com](http://www.2helpU.com).

## Käyttötarkoitus

Black & Deckerin hiomakone on suunniteltu puun, metallin, muovin ja maalipintojen hiomiseen ja kiillottamiseen. Kone on tarkoitettu kotikäyttöön.

## Turvallisuusohjeet

- ◆ **Varoitus!** Sähkötyökaluja käytettäessä on aina noudatettava mm. seuraavia turvallisuusohjeita, jotta tulipalojen, sähköiskujen, henkilövahinkojen ja materiaalivaurioiden riski olisi mahdollisimman pieni.
- ◆ Säilytä käyttöohje kaikkien koneen käyttäjien ulottuvilla.
- ◆ Irrota pistoke virtalähteestä ennen kuin säädät, puhdistat tai huollat konetta.

## Pidä työskentelyalue siistinä

Poista roskat ja mahdolliset esteet työskentelyalueelta välttyäksesi vaurioilta.

### Ajattele työskentelyalueen vaikutusta työhösi

Älä altista sähkötyökaluja sateelle äläkä käytä niitä kosteissa tai märissä paikoissa. Järjestä työskentelyalueelle hyvä valaistus. Älä käytä konetta paikassa, jossa on tulipalo- tai räjähdysvaara, esim. palavien nesteiden tai kaasujen läheisyydessä.

### Työskentele lasten ulottumattomissa

Älä anna lasten, vieraiden tai eläinten tulla lähelle työskentelyaluetta tai koskea koneeseen tai sähköjohtoon.

### Pukeudu asianmukaisesti

Älä käytä liian väljiä vaatteita tai koruja. Ne voivat tarttua liikkuviin osiin. Käytä ulkona työskennellessäsi kumihansikkaita ja liukumattomia kenkiä. Jos sinulla on pitkät hiukset, käytä hiusverkkoa.

### Suojavaatetus

Käytä suojalaseja. Käytä kasvosuojaa, jos työskennellessä syntyy pölyä tai hiukkasia. Käytä kuulosuojaimia.

### Suojaudu sähköiskuilta

Vältä kosketusta maadoitettuihin pintoihin (esim. putket, lämpöpatterit, liedet ja jääkaapit). Sähköistä turvallisuutta voidaan parantaa käyttämällä erittäin herkkää (30 mA / 30 mS) vikavirtasuojaa.

### Älä kurottele

Seiso aina tukevasti ja tasapainossa.

### Ole tarkkaavainen

Keskity työhösi. Käytä tervettä järkeä. Älä käytä sähkötyökalua, kun olet väsynyt.

### Kiinnitä työstökappale kunnolla

Käytä ruuvipuristinta tai -kappaletta, jotta työstökappale pysyy kunnolla kiinni. Näin saat molemmat kädet vapaaksi työhön.

### Liitä pölynpoistolaite

Jos koneessa on liitäntä pölynpoisto- ja pölynkeräyslaitteistolle tulee sellainen kiinnittää ja käyttää oikein. HUOM!

Liitä koneeseen ainoastaan teollisuuspölynimuri.

## Poista avaimet

Poista säätöavaimet ja asennustyökalut koneesta ennen kuin käynnistät sen.

## Jatkojohdot

Tarkista jatkojohto ennen käyttöä, ja vaihda vaurioitunut johto uuteen. Käytettäessä konetta ulkona tulee käyttää vain ulkokäyttöön soveltuvia jatkojohtoja. Jopa 30 m:n pituisia jatkojohtoa voidaan käyttää tehon vähenemättä.

## Käytä oikeaa konetta

Käytä konetta ainoastaan sellaiseen työhön, johon se on tarkoitettu. Käytä vain käyttöohjeessa ja tuotekuvastossa suositeltuja tarvikkeita ja lisälaitteita. Jonkin muun laitteen käyttö voi aiheuttaa onnettomuuden. Älä ylikuormita konetta.

**Varoitus!** Ohjeesta poikkeava käyttö voi aiheuttaa onnettomuuden.

## Tarkista, että kone on kunnossa

Tarkista ennen käyttöä, ettei kone tai sähköjohto ole vaurioitunut. Tarkista, etteivät liikkuvat ja muut osat sekä suoja ole viallisia, ja että kaikki muut käyttöön mahdollisesti vaikuttavat tekijät ovat kunnossa. Varmista, että kone toimii oikein ja täyttää tehtävänsä. Älä käytä konetta, jos jokin sen osista on viallinen tai se ei käynnisty ja pysähdy virrankatkaisijasta. Viallinen osa tulee korjata tai vaihtaa valtuutetussa Black & Deckerin huoltoliikkeessä. Älä koskaan yritä korjata konetta itse.

## Irrota kone virtalähteestä

Irrota kone virtalähteestä, kun konetta ei käytetä, ennen minkään koneen osan, tarvikkeen tai lisävarusteen vaihtamista, sekä ennen huoltoa.

## Vältä tahatonta käynnistämistä

Älä koskaan kanna konetta sormet kiinni virrankatkaisijassa. Varmista, että kone on pois päältä, ennen kuin kytket sen virtalähteeseen.

## Huolehdi johdon kunnosta

Älä koskaan kanna konetta johdosta äläkä irrota pistoketta virtalähteestä vetämällä johdosta. Suojaa johto kuumuudelta, öljyltä ja teräviltä reunoilta.

## Säilytä konetta oikein

Kun konetta ei käytetä, säilytä sitä kuivassa, lukitussa paikassa tai korkealla lasten ulottumattomissa.

## Hoida työkalua huolellisesti

Pidä työkalu puhtaana ja käytä teräviä teriä tehokasta ja turvallista työskentelyä varten. Noudata huollosta ja tarvikkeiden vaihdosta annettuja ohjeita. Pidä virrankatkaisija ja kädensijat kuivina ja puhtaina öljystä ja rasvasta.

## Korjaukset

Tämä kone täyttää voimassa olevat turvallisuusvaatimukset. Korjauksia saa tehdä vain Black & Deckerin valtuuttama huoltoliike, joka käyttää alkuperäisosa. Muussa tapauksessa käyttäjä saattaa joutua vaaratilanteeseen.

## Sähköinen turvallisuus



Kone on kaksoiseristetty; siksi ei tarvita erillistä maadoitusta. Tarkista aina, että virtalähde vastaa arvokilvessä ilmoitettua jännitettä.

## Lisäturvaohjeet hiomakoneelle

- ◆ Käytä aina kasvosuojaa hiottaessa.
- ◆ Poista pöly huolellisesti hiomisen jälkeen.
- ◆ Laita pölypussi paikalleen ennen kuin aloitat puun hiomisen.
- ◆ Poista pölypussi ennen kuin aloitat metallisten kappaleiden työstämisen.
- ◆ Älä koskaan käytä konetta ilman hiomapaperia.
- ◆ Älä koskaan käytä konetta ilman hioma-alustaa.

## Öljypohjaisen maalin tai MDF-levyn hiominen

Lyijypohjaisen maalin hiomista ei suositella, koska saastuneen pölyn kontrolloiminen on vaikeaa. Lyijymyrkytyksen vaara on suurin lapsilla ja raskaana olevilla naisilla. Ennen 1960-lukua rakennetut talot on voitu maalata lyijyä sisältävällä maalilla. Tämän maalin päällä voi olla muita maalikerroksia. Ennen hiomisen aloittamista on tärkeää selvittää, sisältääkö hiottava maali lyijyä. Myös alan ammattilainen (esim. maalari, tms.) voi selvittää tämän.

## Suojavaatetus

- ◆ Älä anna lasten tai raskaana olevien naisten olla työskentelyalueella.
- ◆ Käytä erityismuotoilua, lyijypitoisen maalin pölyltä ja höyryiltä suojaavaa kasvosuojaa. Varmista, että sekä työskentelyalueella olevat että sen läheisyyteen saapuvat ihmiset käyttävät suojaa.
- ◆ Älä syö, juo tai tupakoi työskentelyalueella. Älä säilytä ruokaa tai juomaa työskentelyalueella.
- ◆ Pese dy huolellisesti ennen syömistä, juomista tai tupakoimista.

## Ympäristö

- ◆ Poista maali siten, että pölyä muodostuu mahdollisimman vähän.
- ◆ Tiivistä työalue muovikalvolla.
- ◆ Minimoi työalueen ulkopuolisen pölyn määrä.

## Puhdistus

- ◆ Imuroi ja puhdistaa työskentelyalueen kaikki pinnat huolellisesti joka päivä.
- ◆ Vaihda pölynimurin pölypussi ja suodattimet säännöllisesti.
- ◆ Pese pölylle altistuneet esineet huolellisesti ennen niiden käyttämistä uudelleen.

## Yleiskuvaus

Tällä koneella on kaikki tai osa seuraavista ominaisuuksista.

- ◆ Virrankatkaisija (1)
- ◆ Nopeudensäätönuppi (2)

- ◆ Pyöreä hioma-alusta (3)
- ◆ Kärkihioma-alusta (4)
- ◆ Pölypussi (5)
- ◆ Jatkokärki (kuva J)

## Kokoaminen

**Varoitus!** Varmista, että kone on pois päältä ja pistoke irti virtalähteestä.

### Pyöreä hioma-alusta

Tämän hioma-alustan avulla voit käyttää konetta epäkeskohiomakoneena (kuva H).

### Hioma-alustan kiinnitys ja poisto (kuva A)

- ◆ Laita hioma-alusta (3) karaan (6).
- ◆ Laita aluslaatta (7) karaan.
- ◆ Aseta ruuvi (8) karassa olevaan reikään. Kiristä ruuvi käyttämällä mukana toimitettua kuusiokoloavainta (9).
- ◆ Poistaaksesi hioma-alustan irrota ruuvi ja aluslaatta.

### Hiomapaperin kiinnittäminen (kuva B)

- ◆ Pidä koneesta kiinni siten, että hioma-alusta (3) on ylöspäin.
- ◆ Paina hiomapaperi (10) hioma-alustan päälle. Paperin reikien ei tarvitse olla kohdakkain hioma-alustassa olevien reikien kanssa.

### Kärkihioma-alusta

Tämän hioma-alustan avulla voit käyttää konetta sekä kärki- että tasohiomakoneena.

### Hioma-alustan kiinnitys ja poisto (kuvat C & D)

- ◆ Laita hioma-alusta (4) karaan (6). Kun haluat hioa kulmia ja vaikeita paikkoja, tulee kärkipään osoittaa eteenpäin kuvan C osoittamalla tavalla. Kun hiot suuria alueita, tulee kärkipään osoittaa taaksepäin kuvan D osoittamalla tavalla.
- ◆ Varmista, että pohjan "jalat" ovat työkalussa.
- ◆ Laita aluslaatta (7) karaan.
- ◆ Aseta ruuvi (8) karassa olevaan reikään. Kiristä ruuvi käyttämällä mukana toimitettua kuusiokoloavainta (9).
- ◆ Poistaaksesi hioma-alustan irrota ruuvi ja aluslaatta.

### Hiomapaperin kiinnitys (kuva E)

- ◆ Irrota kaksi irtokärkeä (11) hiomapaperista (12).
- ◆ Pidä koneesta kiinni siten, että hioma-alusta on ylöspäin.
- ◆ Paina hiomapaperi (12) hioma-alustaan varmistaen, että paperissa olevat reiät ovat kohdakkain hioma-alustassa olevien reikien kanssa.

Irtokärki (13) voidaan kääntää ja vaihtaa, kun se on kulunut.

- ◆ Kun kärjen etuosa on kulunut, irrota se paperista, käännä se ja paina kiinni hioma-alustaan.
- ◆ Kun koko kärki on kulunut, poista se ja laita tilalle uusi kärki.

### Hioma-alustan kärki (kuva F)

Kun hioma-alustan kärki (14) tai kärjen pidike (15) on kulunut, se voidaan kääntää tai vaihtaa. Black & Decker - jälleenmyyjältä saa ostettua lisää kärkiä.

- ◆ Irrota ruuvi (16).
- ◆ Käänä tai vaihda kulunut osa.
- ◆ Laita ruuvi paikalleen ja kiristä se.

### Jatkokärki (kuva J)

Jatkokärjen avulla voit työstää uria ja käyttää hioma-alustan molempia puolia.

- ◆ Irrota hioma-alustan kärki ja kärjen pidike (kuva F).
- ◆ Laita jatkokärjen pohja (22) kärkihioma-alustan kärjen alle.
- ◆ Kiinnitä jatkokärki ruuvilla (21).
- ◆ Kiinnitä päähiomapaperi jatkokärjen alapuolelle. Osa siitä kiinnittyy kärkihioma-alustan etuosaan.

Kun haluat hioa esim. säleikköjä molemmilta puolilta, voidaan hiomapaperi kiinnittää myös jatkokärjen päälle.

- ◆ Irrota tarrakiinnikkeestä (19) taustapaperi (20).
- ◆ Kiinnitä tarrakiinnike jatkokärjen yläpintaan.
- ◆ Kiinnitä hiomapaperi (18) tarrakiinnikkeeseen.

### Käyttö

**Varoitus!** Älä peitä ilma-aukkoja, kun käytät tätä konetta. Pitele konetta kuvan I osoittamalla tavalla. Varmista, että hioma-alusta on kokonaan työstökappaleen pinnalla.

### Käynnistys ja pysäytys

- ◆ Jos koneessa on nopeudensäätönappi (2), käytä sitä säätääksesi nopeutta. Yleinen sääntö on käyttää alhaista nopeutta kiillottamiseen ja muovin hiomiseen. Hiottaessa puuta ja metallia käytä suurta nopeutta.
- ◆ Käynnistä kone painamalla "1" virrankatkaisijassa (1).
- ◆ Sammuta kone painamalla "0" virrankatkaisijassa (1).

### Automaattinen jarrujärjestelmä (ABS)

Tässä koneessa on automaattinen jarrujärjestelmä. Kun kone ei ole työstettävällä pinnalla, pitää järjestelmä alustan nopeuden moottorin nopeutta pienempänä. Kun kone sammutetaan, alusta pysähtyy nopeasti.

### Teollisuuspölynimurin liittäminen

Koneeseen voidaan liittää teollisuuspölynimuri sovittimella. Niitä on saatavana tarvikkeena.

### Pölypussin tyhjentäminen (kuva G)

Pölypussi on tyhjennettävä 10 minuutin välein.

- ◆ Pitele työkalua siten, että pölypussi (5) on alaspäin.
- ◆ Irrota pölypussi puristamalla painikkeita (17).
- ◆ Laita pölypussi takaisin niin, että se napsahtaa kiinni.

Älä koskaan pese pölypussia.

### Tarvikkeet

Koneen käyttöalue riippuu käytettävästä tarvikkeesta. Black & Decker- ja Piranha -tarvikkeet ovat korkealaatuisia. Käyttämällä näitä tarvikkeita saat koneestasi irti parhaan mahdollisen.

### Huolto

Kone on suunniteltu toimimaan mahdollisimman pitkän aikaa mahdollisimman vähällä huollolla. Oikealla huollolla ja säännöllisellä puhdistuksella kone säilyttää suorituskykynsä.

### Ympäristö



Kun koneesi on käytetty loppuun, älä heitä sitä tavallisten roskien mukana pois, vaan vie se paikkakuntasi kierrätyskeskukseen tai jätä valtuutettuun Black & Deckerin huoltoliikkeeseen.

### Tekniset tiedot

	KA225	KA225EK
Ottoteho	W 170	170
Kuormittamaton nopeus	min <sup>-1</sup> 10.500	6.000 - 10.500

### CE-vaatimustenmukaisuusvakuutus

Black & Decker vakuuttaa, että nämä työkalut ovat 98/37/EC, 89/336/EEC, 73/23/EEC, EN 50144, EN 55014, EN 61000 mukaiset.

$L_{pA}$  (äänenpaine): 77 dB(A),  $L_{WA}$  (ääniteho) 90 dB(A),  
tärinätaajuuden painotettu geometrinen keskiarvo < 2.5 m/s<sup>2</sup>

Kevin Hewitt  
Director of Consumer Engineering  
Spennymoor, County Durham DL16 6JG,  
United Kingdom

### Korjaukset / varaosat

Mikäli koneeseen tulee vikaa, jätä se aina Black & Deckerin valtuuttamaan huoltoliikkeeseen korjattavaksi (tiedot löytyvät uusimmasta tuoteluettelostamme tai ottamalla yhteyttä Black & Decker Oy:hyn). Varaosia myyvät valtuutetut Black & Deckerin huoltoliikkeet, ja heiltä voi myös pyytää kustannusarvion koneen korjauksesta.

Tiedot valtuutetuista huoltoliikkeistä löytyvät myös internetistä osoitteesta [www.2helpU.com](http://www.2helpU.com) sekä kotisivuiltamme [www.blackdecker.fi](http://www.blackdecker.fi).

## Takuu

Black & Decker Oy takaa, ettei koneessa ollut materiaali- ja/ tai valmistusvikaa silloin, kun se toimitettiin ostajalle.

Takuu on lisäys kuluttajan laillisiin oikeuksiin eikä vaikuta niihin. Takuu on voimassa Euroopan Unionin jäsenmaissa ja Euroopan vapaakauppa-alueella (EFTA).

Mikäli Black & Decker -kone hajoaa materiaali- ja/ tai valmistusvirheen tai teknisten tietojen epätarkkuuden vuoksi 24 kk:n kuluessa ostopäivästä, Black & Decker korjaa koneen ilman kustannuksia ostajalle tai vaihtaa sen uuteen Black & Decker Oy:n valinnan mukaan.

Takuu ei kata vikoja, jotka johtuvat koneen

- ◆ normaalista kulumisesta
- ◆ ylikuormituksesta, virheellisestä käytöstä tai hoidosta
- ◆ vahingoittamisesta vieraalla esineellä tai aineella tai onnettomuustapauksessa.

Takuu ei ole voimassa, mikäli konetta on korjannut joku muu kuin Black & Deckerin valtuuttama huoltoliike.

Edellytyksenä takuun saamiselle on, että ostaja jättää koneen ja ostokuitin jälleenmyyjälle tai valtuutetulle huoltoliikkeelle viimeistään 2 kuukauden kuluessa vian ilmenemisestä.

Tiedot valtuutetuista huoltoliikkeistä saa ottamalla yhteyttä Black & Decker Oy:hyn sekä internetistä osoitteesta

**[www.2helpU.com](http://www.2helpU.com)**, jossa on myös takuehdot.

## Ενδεδειγμένη χρησιμοποίηση

Το τριβείο σας της Black & Decker έχει σχεδιαστεί για τη λείανση και στίλβωση ξύλου, μετάλλου, πλαστικών και βαμμένων επιφανειών. Αυτό το εργαλείο προορίζεται μόνο για ερασιτεχνική χρήση.

## Οδηγίες ασφαλείας

- ♦ **Προσοχή!** Κατά τη χρήση εργαλείων που τροφοδοτούνται με ηλεκτρικό ρεύμα, θα πρέπει πάντα να λαμβάνονται οι βασικές προφυλάξεις ασφαλείας, για τον περιορισμό του κινδύνου πυρκαγιάς, ηλεκτροπληξίας, σωματικών βλαβών και υλικών ζημιών.
- ♦ Πριν χρησιμοποιήσετε το εργαλείο διαβάστε προσεχτικά τις παρακάτω οδηγίες.
- ♦ Φυλάξτε τις οδηγίες καλά.
- ♦ Αποσυνδέστε το εργαλείο από την πρίζα πριν προχωρήσετε σε εργασίες ρύθμισης, σέρβις ή συντήρησης.

### Διατηρείτε καθαρό το χώρο εργασίας

Ακατάστατοι χώροι και πάγκοι εγκυμονούν κίνδυνο τραυματισμού.

### Λάβετε υπό όψη τις επιδράσεις του περιβάλλοντος

Μην εκθέτετε ηλεκτρικά εργαλεία σε υγρασία. Φροντίστε η περιοχή εργασίας να είναι καλά φωτισμένη. Μη χρησιμοποιείτε το εργαλείο αν υπάρχει κίνδυνος να προκληθεί πυρκαγιά ή έκρηξη, π.χ. κοντά σε εύφλεκτα υγρά και αέρια.

### Κρατάτε τα παιδιά σε απόσταση

Μην επιτρέπετε σε παιδιά, επισκέπτες ή ζώα να πλησιάζουν στο χώρο εργασίας ή να αγγίζουν το εργαλείο ή το καλώδιο τροφοδοσίας.

### Φοράτε τα κατάλληλα ρούχα εργασίας

Μη φοράτε φαρδιά ρούχα ή κοσμήματα. Υπάρχει πιθανότητα να πιαστούν σε κινούμενα μέρη μηχανών. Για υπαίθριες εργασίες συνιστώνται λαστιχένια γάντια και υποδήματα που δε γλιστρούν. Εάν έχετε μακριά μαλλιά φοράτε προστατευτικό διχτάκι.

### Ατομική προστασία

Φορέστε προστατευτικά γυαλιά. Φορέστε μάσκα προσώπου ή προστασίας από τη σκόνη, στις περιπτώσεις που η εργασία ενδέχεται να προκαλέσει την παραγωγή σκόνης ή αιωρούμενων σωματιδίων. Φοράτε ωτασπίδες.

### Λάβετε τις κατάλληλες προφυλάξεις για το ενδεχόμενο ηλεκτροπληξίας

Αποφύγετε τη σωματική επαφή με γειωμένες ή συνδεδεμένες με το έδαφος επιφάνειες (π.χ. σωλήνες, ψυγεία, βραστήρες και ψυγεία). Η ηλεκτρική ασφάλεια μπορεί να βελτιωθεί αν χρησιμοποιηθεί συσκευή παραμένουστος ρεύματος (RCD) υψηλής ευαισθησίας (30 mA / 30 mS).

### Μη σκύβετε πάρα πολύ

Φροντίστε πάντοτε να έχετε την κατάλληλη στάση και να διατηρείτε την ισορροπία σας.

### Να είστε πάντα προσεκτικοί

Παρακολουθείτε την εργασία σας. Ενεργείτε λογικά.

Μη χρησιμοποιείτε το εργαλείο όταν είστε κουρασμένος.

## Στηρίξτε με ασφαλή τρόπο το αντικείμενο στο οποίο εργάζεστε

Χρησιμοποιείτε σφιγκτήρες ή μέγγενη για το σκοπό αυτό. Η μέθοδος αυτή είναι ασφαλέστερη και ελευθερώνει και τα δύο σας χέρια για το χειρισμό του εργαλείου.

### Συνδέστε τη συσκευή αφαίρεσης σκόνης

Εάν παρέχονται συσκευές για τη σύνδεση συσκευών αφαίρεσης και συλλογής σκόνης, βεβαιωθείτε ότι η σύνδεση και η χρήση τους γίνεται με τον ενδεδειγμένο τρόπο.

### Απομακρύνετε από το μηχάνημα τα κλειδιά που χρησιμοποιείτε για τη ρύθμισή του

Πριν βάλετε σε λειτουργία το εργαλείο, βεβαιωθείτε πάντα ότι έχετε βγάλει από αυτό τα κλειδιά για τη ρύθμισή του.

### Καλώδια επιμήκυνσης

Πριν τη χρήση, επιθεωρήστε το καλώδιο επιμήκυνσης και αντικαταστήστε το, αν έχει φθαρεί. Εάν χρησιμοποιείτε τη συσκευή σε υπαίθριο χώρο, χρησιμοποιείτε μόνο καλώδια επιμήκυνσης κατάλληλα για χρήση σε υπαίθριο χώρο. Μπορεί να χρησιμοποιηθεί καλώδιο προέκτασης Black & Decker έως και 30 m χωρίς να προκληθεί απώλεια ισχύος.

### Χρησιμοποιείτε το σωστό εργαλείο

Η ενδεδειγμένη χρησιμοποίηση αναφέρεται σε αυτές τις οδηγίες χρήσεως. Μη χρησιμοποιείτε εργαλεία χαμηλής ισχύος ή προσθήκες για βαριές εργασίες. Το εργαλείο σας θα λειτουργήσει επιτυχέστερα και ασφαλέστερα εάν χρησιμοποιηθεί σύμφωνα με της προδιαγραφές του.

Μη ζορίζετε το εργαλείο.

**Προσοχή!** Τόσο η χρήση εξαρτημάτων ή προσθηκών όσο και η πραγματοποίηση εργασιών που δεν συνιστώνται στις οδηγίες αυτές εγκυμονεί κίνδυνο τραυματισμού.

### Ελέγχετε εάν το εργαλείο σας έχει θλάβες

Πριν από τη χρήση, ελέγξτε προσεκτικά το εργαλείο και το καλώδιο τροφοδοσίας για τυχόν ζημιές. Ελέγξτε για τυχόν κακή ευθυγράμμιση και εμπλοκή των κινούμενων μερών, για μέρη που έχουν σπάσει, για τυχόν ζημιές στους προφυλακτικές και τους διακόπτες, και γενικά κάθε είδους συνθήκες οι οποίες ενδέχεται να επηρεάσουν τη λειτουργία του εργαλείου. Βεβαιωθείτε ότι το εργαλείο λειτουργεί κανονικά και χρησιμοποιείται για το σκοπό για τον οποίο προορίζεται. Μη χρησιμοποιείτε το εργαλείο αν κάποιο εξάρτημά του παρουσιάζει ελάττωμα. Μη χρησιμοποιείτε το εργαλείο, εάν ο διακόπτης δεν μπορεί να το θέσει εντός ή εκτός λειτουργίας. Φροντίστε για την επισκευή ή αντικατάσταση τυχόν ελαττωματικών εξαρτημάτων από εξουσιοδοτημένο κέντρο επισκευών. Ποτέ μην επιχειρήσετε να επισκευάσετε οι ίδιοι το εργαλείο.

### Βγάλτε το εργαλείο από την πρίζα

Βγάλτε το εργαλείο από την πρίζα όταν το εργαλείο δεν χρησιμοποιείται, προτού αλλάξετε οποιοδήποτε ανταλλακτικό, παρελκόμενο ή εξάρτημα του εργαλείου, και πριν από τη συντήρησή του.

**Αποφύγετε την τυχαία εκκίνηση του εργαλείου**

Μη μεταφέρετε το εργαλείο έχοντας το δάκτυλό σας πάνω στο διακόπτη εκκίνησης. Όταν βάζετε την πρίζα, βεβαιωθείτε ότι ο διακόπτης του εργαλείου είναι κλειστός.

**Μην κακομεταχειρίζεστε το καλώδιο**

Ποτέ μη μεταφέρετε το εργαλείο κρατώντας το από το καλώδιο και μην το τραβάτε από το καλώδιο για να το βγάλετε από την πρίζα. Φροντίστε το καλώδιο να παραμένει μακριά από τη θερμότητα, τα λάδια και από αιχμηρές ακμές.

**Φυλάγετε τα εργαλεία σας σε ασφαλές μέρος**

Ηλεκτρικά εργαλεία που δεν χρησιμοποιούνται πρέπει να φυλάσσονται σε στεγνούς, κλειστούς χώρους ή σε μεγάλο ύψος, μακριά από παιδιά.

**Συντηρήστε προσεκτικά τα εργαλεία**

Φροντίστε τα εργαλεία σας να είναι κοφτερά και καθαρά, ώστε να προσφέρουν υψηλή απόδοση και ασφάλεια κατά τη χρήση τους. Ακολουθήστε τις σχετικές οδηγίες σε ότι αφορά τη συντήρηση και την αλλαγή των εξαρτημάτων. Φροντίστε οι λαβές και οι διακόπτες να είναι στεγνοί, καθαροί και χωρίς λάδια ή γράσα.

**Επισκευές**

Το εργαλείο αυτό συμμορφώνεται με τις σχετικές προϋποθέσεις ασφαλείας. Οι επισκευές θα πρέπει να γίνονται μόνο από ειδικευμένους τεχνικούς και με τη χρήση αποκλειστικά γνήσιων ανταλλακτικών, διαφορετικά υπάρχει το ενδεχόμενο σοβαρού κινδύνου για το χρήστη.

**Ηλεκτρική ασφάλεια**

Το εργαλείο σας φέρει διπλή μόνωση. Κατά συνέπεια δε χρειάζεται καλώδιο γείωσης. Ελέγχετε πάντοτε αν η τάση τροφοδοσίας αντιστοιχεί σε αυτήν που αναγράφεται στην πινακίδα στοιχείων του εργαλείου.

**Συμπληρωματικές οδηγίες ασφαλείας για τριεία**

- ♦ Κατά τη λείανση, να φοράτε πάντα μάσκα προστασίας από τη σκόνη.
- ♦ Μετά τη λείανση, καθαρίστε καλά τη σκόνη.
- ♦ Πριν τη χρήση του εργαλείου σε ξύλινα τεμάχια εργασίας, τοποθετήστε τον σάκο σκόνης.
- ♦ Πριν τη χρήση του εργαλείου σε μεταλλικά τεμάχια εργασίας, αφαιρέστε τον σάκο σκόνης.
- ♦ Ποτέ μη χρησιμοποιείτε το εργαλείο χωρίς να έχετε τοποθετήσει φύλλο γυαλόχαρτου.
- ♦ Ποτέ μη χρησιμοποιείτε το εργαλείο χωρίς να έχετε τοποθετήσει την βάση λείανσης.

**Λείανση θαμμένων επιφανειών με χρώμα με βάση το μόλυβδο ή επιφανειών MDF**

Η λείανση επιφανειών με χρώμα με βάση τον μόλυβδο δεν ενδείκνυται λόγω της δυσκολίας ελέγχου της επιβλαβούς σκόνης. Από τον κίνδυνο δηλητηρίασης από μόλυβδο πρέπει να προφυλάσσονται κυρίως τα παιδιά και οι έγκυες.

Τα κτίρια κατασκευής πριν το 1960, ενδέχεται να έχουν βαφτεί στο παρελθόν με χρώματα που περιέχουν μόλυβδο. Το χρώμα ενδέχεται να έχει καλυφθεί με πρόσθετες στρώσεις μπογιάς. Πριν ξεκινήσετε την εργασία σας, είναι σημαντικό να γνωρίζετε αν το χρώμα που θα λειάνετε περιέχει μόλυβδο. Αυτό διαπιστώνεται χρησιμοποιώντας ένα κιτ ελέγχου ή συμβουλευόντας έναν επαγγελματία διακοσμητή.

**Ατομική προστασία**

- ♦ Μην επιτρέπετε σε παιδιά ή εγκύους να εισέρχονται στο χώρο εργασίας.
- ♦ Φορέστε μάσκα σκόνης ειδικά σχεδιασμένη για προστασία έναντι της σκόνης και των αναθυμιάσεων από χρώματα με μόλυβδο και βεβαιωθείτε ότι τα άτομα που βρίσκονται, ή εισέρχονται, στο χώρο εργασίας είναι επίσης προστατευμένα.
- ♦ Μην τρώτε, πίνετε ή καπνίζετε στο χώρο εργασίας. Μην φυλάσσετε τρόφιμα ή ποτά στο χώρο εργασίας.
- ♦ Πλυθείτε προσεκτικά πριν να φάτε, να πιείτε ή να καπνίσετε.

**Περιβάλλον**

- ♦ Αφαιρέστε το χρώμα προκαλώντας τη λιγότερη δυνατή παραγωγή σκόνης.
- ♦ Σφραγίστε τον χώρο εργασίας με πλαστικό κάλυμμα.
- ♦ Ελαχιστοποιήστε την ποσότητα σκόνης εκτός του χώρου εργασίας.

**Καθαρισμός**

- ♦ Να σκουπίζετε καλά με ηλεκτρική σκούπα και να καθαρίζετε όλες τις επιφάνειες του χώρου εργασίας καθημερινά.
- ♦ Να αλλάζετε τακτικά τον σάκο σκόνης και τα φίλτρα της ηλεκτρικής σκούπας.
- ♦ Να ξεπλένετε τα ξένα αντικείμενα που είναι εκτεθειμένα στη σκόνη πριν τα ξαναχρησιμοποιήσετε.

**Χαρακτηριστικά**

Το εργαλείο περιλαμβάνει όλα ή ορισμένα από τα εξής χαρακτηριστικά:

- ♦ Διακόπτης On/off (1)
- ♦ Έλεγχος μεταβλητής ταχύτητας (2)
- ♦ Στρογγυλή βάση (3)
- ♦ Αιχμηρή βάση (4)
- ♦ Σάκος σκόνης (5)
- ♦ Εξάρτημα για καμπύλα περιγράμματα (εικ. J)

**Συναρμολόγηση**

**Προσοχή!** Βεβαιωθείτε ότι το εργαλείο είναι σβηστό και ότι το φως του δεν είναι στην πρίζα.



**Στρογγυλή βάση**

Με αυτήν την βάση λείανσης μπορείτε να χρησιμοποιείτε το εργαλείο όπως ένα παλινδρομικό τριβείο (εικ. Η).

**Τοποθέτηση και αφαίρεση της βάσης λείανσης (εικ. Α)**

- ◆ Τοποθετήστε την βάση λείανσης (3) πάνω στην άτρακτο (6).
- ◆ Τοποθετήστε την ροδέλα (7) πάνω στην άτρακτο.
- ◆ Εισάγετε τη βίδα (8) στην οπή της άτρακτου και σφίξτε την με το κλειδί Allen (9) της συσκευασίας.
- ◆ Για να αφαιρέσετε την βάση λείανσης, αφαιρέστε την βίδα και την ροδέλα.

**Τοποθέτηση φύλλων γυαλόχαρτου (εικ. Β)**

- ◆ Κρατήστε το εργαλείο με τη βάση λείανσης (3) στραμμένη προς τα πάνω.
- ◆ Πιέστε το φύλλο γυαλόχαρτου (10) πάνω στην βάση λείανσης. Οι οπές στα φύλλα δεν χρειάζεται να έρθουν στην ίδια ευθεία με εκείνες της βάσης.

**Αιχμηρή βάση**

Με αυτήν την βάση λείανσης μπορείτε να χρησιμοποιείτε το εργαλείο όπως ένα τριβείο ακριβείας ή ένα παλινδρομικό τριβείο.

**Τοποθέτηση και αφαίρεση της βάσης λείανσης (εικ. C & D)**

- ◆ Τοποθετήστε την βάση λείανσης (4) πάνω στην άτρακτο (6). Για λείανση ακριβείας, το αιχμηρό άκρο πρέπει να είναι στραμμένο εμπρός όπως φαίνεται στην εικ. C. Για λείανση σε μεγάλες επιφάνειες, το αιχμηρό άκρο πρέπει να είναι στραμμένο προς τα πίσω όπως φαίνεται στην εικ. D.
- ◆ Βεβαιωθείτε ότι τα πόδια της βάσης βρίσκονται στο εργαλείο.
- ◆ Τοποθετήστε την ροδέλα (7) πάνω στην άτρακτο.
- ◆ Εισάγετε τη βίδα (8) στην οπή της άτρακτου και σφίξτε την με το κλειδί Allen (9) της συσκευασίας.
- ◆ Για να αφαιρέσετε την βάση λείανσης, αφαιρέστε την βίδα και την ροδέλα.

**Τοποθέτηση φύλλων γυαλόχαρτου (εικ. Ε)**

- ◆ Αποσυνδέστε τις διαμαντέ μύτες (11) από το φύλλο γυαλόχαρτου (12).
- ◆ Κρατήστε το εργαλείο με την βάση λείανσης στραμμένη προς τα πάνω.
- ◆ Τοποθετήστε το φύλλο γυαλόχαρτου (12) στη βάση λείανσης, και βεβαιωθείτε ότι οι οπές του φύλλου συμπίπτουν με τις οπές της βάσης.

Η διαμαντέ μύτη (13) μπορεί να γυριστεί από την άλλη πλευρά και να αντικατασταθεί όταν φθαρεί.

- ◆ Όταν το μπροστινό μέρος της μύτης έχει φθαρεί, αποσυνδέστε το από το φύλλο, γυρίστε το από την άλλη πλευρά και πιέστε το πάλι μέσα στην βάση λείανσης.
- ◆ Όταν έχει φθαρεί όλη η μύτη, αφαιρέστε την από την βάση λείανσης και τοποθετήστε μια νέα μύτη.

**Η αιχμή της βάσης λείανσης (εικ. F)**

Όταν φθαρεί η αιχμή της βάσης λείανσης (14) ή το στήριγμα άκρης (15), μπορεί να αναποδογυριστεί ή να αντικατασταθεί. Το δικό σας εξουσιοδοτημένο κατάστημα Black & Decker διαθέτει ανταλλακτικά.

- ◆ Αφαιρέστε τη βίδα (16).
- ◆ Αναποδογυρίστε ή αντικαταστήστε το φθαρμένο εξάρτημα.
- ◆ Τοποθετήστε και σφίξτε τη βίδα.

**Εξάρτημα για καμπύλα περιγράμματα (εικ. J)**

Με αυτό το εξάρτημα μπορείτε να εργάζεστε σε ρωγμές και να χρησιμοποιείτε τη βάση λείανσης και από τις δύο πλευρές.

- ◆ Αφαιρέστε την αιχμή της βάσης λείανσης και το στήριγμα άκρου (εικ. F).
- ◆ Τοποθετήστε τη βάση για καμπύλα περιγράμματα (22) πάνω στη μύτη της αιχμηρής βάσης.
- ◆ Στερεώστε τη βάση για καμπύλα περιγράμματα με τη βίδα (21).
- ◆ Κολλήστε το κύριο φύλλο λείανσης στην κάτω πλευρά της βάσης για καμπύλα περιγράμματα. Ένα κομμάτι του θα κολλήσει στο μπροστινό τμήμα της αιχμηρής βάσης.

Για να λειάνετε τα πηχάκια των καμπύλων περιγραμάτων και από τις δύο πλευρές, μπορείτε να κολλήσετε γυαλόχαρτο στην πάνω πλευρά του εξαρτήματος.

- ◆ Αφαιρέστε το προστατευτικό χαρτί (20) από τον σφιγκτήρα velcro (19).
- ◆ Κολλήστε τον σφιγκτήρα velcro στην άνω επιφάνεια του εξαρτήματος αεροθυρίδων.
- ◆ Τοποθετήστε το τεμάχιο λείανσης (18) στον σφιγκτήρα velcro.

**Χρήση**

**Προσοχή!** Μην καλύπτετε τα ανοίγματα εξαερισμού όταν χρησιμοποιείτε το εργαλείο. Να κρατάτε το εργαλείο όπως φαίνεται στην εικ. I. Βεβαιωθείτε ότι η βάση λείανσης είναι τοποθετημένη σε ευθεία γραμμή πάνω στο τεμάχιο εργασίας.

**Εναρξη και παύση της λειτουργίας**

- ◆ Αν το εργαλείο διαθέτει κουμπί ρύθμισης ταχύτητας (2), ρυθμίστε το στην επιθυμητή κλίμακα ταχύτητας. Γενικά, να χρησιμοποιείτε χαμηλή ταχύτητα για τη στίλβωση και λείανση πλαστικών επιφανειών. Να χρησιμοποιείτε υψηλή ταχύτητα για χρήση σε ξύλο και μέταλλο.
- ◆ Για να θέσετε σε λειτουργία το εργαλείο, πιέστε το σημείο του διακόπτη on/off (1) που είναι σημειωμένο με 'I'.
- ◆ Για να σβήσετε το εργαλείο, πιέστε το σημείο του διακόπτη on/off (1) που είναι σημειωμένο με 'O'.

**Αυτόματο σύστημα φρένου (ABS)**

Το εργαλείο έχει ένα αυτόματο σύστημα φρένου. Όταν το εργαλείο δεν βρίσκεται στην επιφάνεια εργασίας, το χαρακτηριστικό αυτό διατηρεί την ταχύτητα της στρογγυλής βάσης σε ταχύτητα μικρότερη από αυτή του μοτέρ.

Όταν σβηστεί το εργαλείο, η βάση θα σταματήσει πολύ γρήγορα.

### Σύνδεση με ηλεκτρική σκούπα

Για να συνδέσετε ηλεκτρική σκούπα στο εργαλείο, χρειάζεστε έναν ειδικό προσαρμογέα που διατίθεται ως εξάρτημα.

### Αδειασμα του σάκου συλλογής σκόνης (εικ. G)

Πρέπει να αδειάζετε το σάκο συλλογής σκόνης μετά από κάθε 10 λεπτά χρήσης.

- ♦ Κρατήστε το εργαλείο με το σάκο συλλογής σκόνης (5) προς τα κάτω.
- ♦ Πιέστε τα κουμπιά (17) για να απελευθερώσετε τον σάκο σκόνης.
- ♦ Τοποθετήστε ξανά τον σάκο συλλογής σκόνης και ασφαλίστε τον στη θέση του.

Μην πλένετε τον σάκο σκόνης.

### Εξαρτήματα

Η απόδοση του εργαλείου σας εξαρτάται από τα εξαρτήματα που χρησιμοποιείτε. Τα εξαρτήματα Black & Decker και Piranha είναι σχεδιασμένα σύμφωνα με πρότυπα υψηλής ποιότητας για να βελτιώνουν την απόδοση του εργαλείου σας. Χρησιμοποιώντας τα θα επιτύχετε τη βέλτιστη απόδοση του εργαλείου.

### Συντήρηση

Αυτό το εργαλείο έχει σχεδιαστεί έτσι ώστε να λειτουργεί για μεγάλο χρονικό διάστημα με την ελάχιστη δυνατή φροντίδα. Η αδιάλειπτη και κανονική λειτουργία του εξαρτάται από τη φροντίδα του εργαλείου και τον τακτικό καθαρισμό του.

### Προστασία του περιβάλλοντος



Η Black & Decker δίνει τη δυνατότητα ανακύκλωσης των προϊόντων της που έχουν συμπληρώσει τη διάρκεια ζωής τους. Η υπηρεσία αυτή είναι δωρεάν. Αν θέλετε να χρησιμοποιήσετε την εν λόγω υπηρεσία, επιστρέψτε το προϊόν σας σε οποιοδήποτε εξουσιοδοτημένο κέντρο επισκευών, όπου θα το παραλάβουν εκ μέρους σας.

Ενημερωθείτε για το πλησιέστερο κέντρο επισκευών της περιοχής σας, επικοινωνώντας με τα γραφεία της Black & Decker στη διεύθυνση που αναγράφεται στο εγχειρίδιο. Επίσης, για να πληροφορηθείτε για τα εξουσιοδοτημένα κέντρα επισκευών της Black & Decker, τις λεπτομέρειες και τους αρμόδιους των υπηρεσιών που παρέχονται μετά την πώληση, μπορείτε να ανατρέξετε στο Διαδίκτυο στη διεύθυνση: [www.2helpU.com](http://www.2helpU.com).

### Τεχνικά χαρακτηριστικά

	KA225	KA225EK
Ισχύς εισόδου	W 170	170
Ταχύτητα άφορτου κίνησης	min <sup>-1</sup> 10.500	6.000 - 10.500

### Δήλωση συμμόρφωσης EK

Black & Decker δηλώνει ότι αυτά τα ηλεκτρικά εργαλεία σχεδιάστηκαν σύμφωνα με: 98/37/ΕΟΚ, 89/336/ΕΟΚ, 73/23/ΕΟΚ, EN 50144, EN 55014, EN 61000

$L_{pA}$  (ηχητική πίεση): 77 dB(A),  $L_{WA}$  (ακουστική δύναμη) 90 dB(A), σταθμισμένος τετραγωνικός μέσος όρος επιτάχυνσης < 2.5 m/s<sup>2</sup>

Kevin Hewitt

Διευθυντής μηχανολογίας

Spennymoor, County Durham DL16 6JG,

United Kingdom

### Εγγύηση

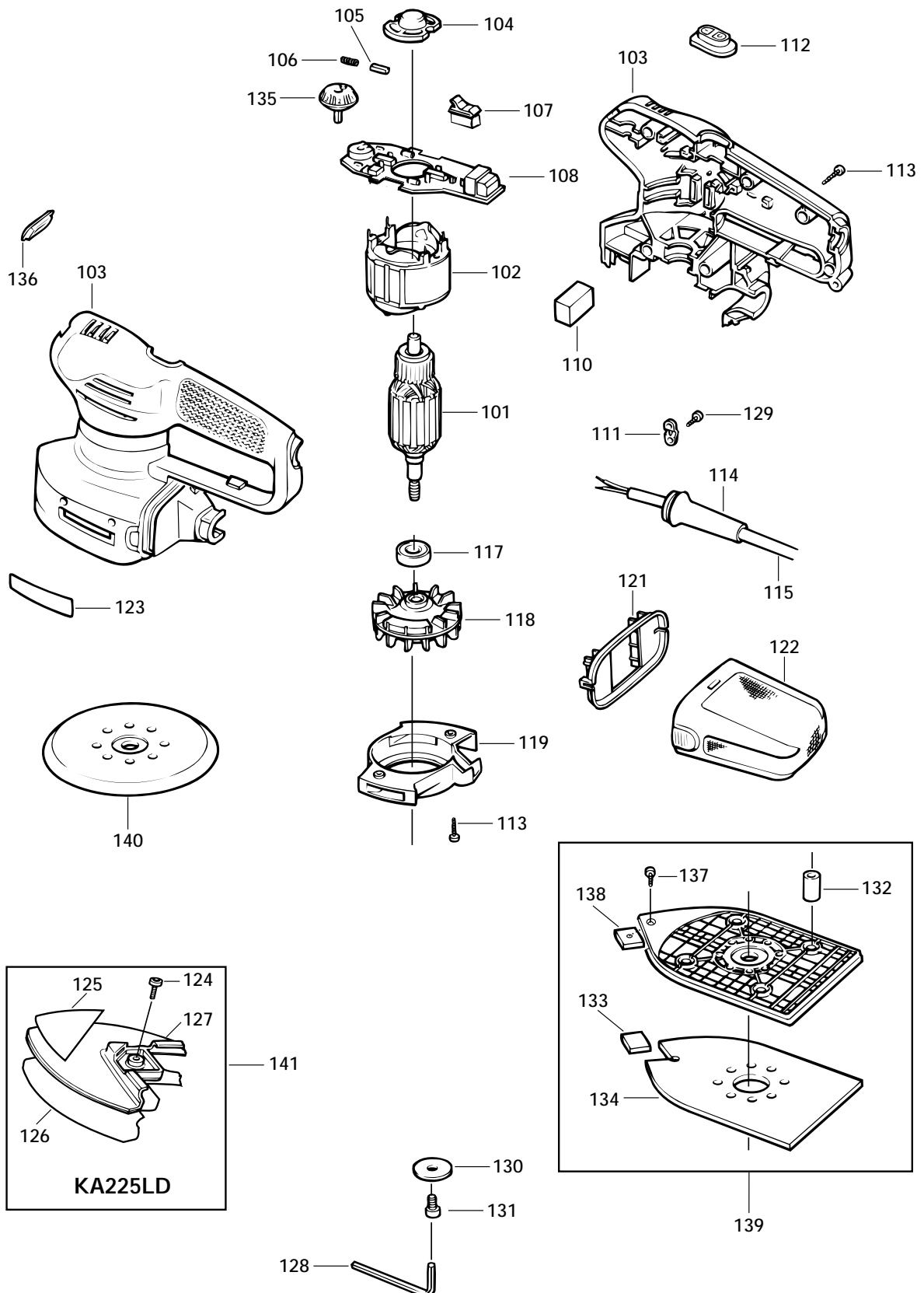
Η Black & Decker είναι σίγουρη για την ποιότητα των προϊόντων της και παρέχει σημαντική εγγύηση. Η παρούσα γραπτή εγγύηση αποτελεί πρόσθετο δικαίωμά σας και δεν ζημιώνει τα συνταγματικά σας δικαιώματα. Η εγγύηση ισχύει εντός της επικράτειας των Κρατών Μελών της Ευρωπαϊκής Ένωσης και της Ευρωπαϊκής Ζώνης Ελευθέρων Συναλλαγών.

Σε περίπτωση που κάποιο προϊόν της Black & Decker παρουσιάσει βλάβη εξαιτίας ελαττωματικών υλικών, ποιότητας εργασίας ή έλλειψης συμφωνίας με τις προδιαγραφές εντός 24 μηνών από την ημερομηνία αγοράς, η Black & Decker εγγυάται την αντικατάσταση των ελαττωματικών τμημάτων, την επισκευή προϊόντων που έχουν υποστεί εύλογη φθορά λόγω χρήσης ή την αντικατάσταση των προϊόντων προκειμένου να εξασφαλίσει την ελάχιστη ενόχληση στους πελάτες της, εκτός αν:

- ♦ Το προϊόν έχει χρησιμοποιηθεί σε εργασιακό, επαγγελματικό περιβάλλον ή αν έχει ενοικιαστεί
- ♦ Έχει γίνει εσφαλμένη χρήση του προϊόντος ή αν έχει παραμεληθεί
- ♦ Το προϊόν έχει υποστεί βλάβη από άλλα αντικείμενα, από ουσίες ή λόγω ατυχήματος
- ♦ Έχει γίνει προσπάθεια επισκευής από μη εξουσιοδοτημένα κέντρα επισκευών ή από προσωπικό που δεν ανήκει στο προσωπικό της Black & Decker

Για να ισχύσει η εγγύηση, πρέπει να υποβάλετε απόδειξη αγοράς στον πωλητή ή το εξουσιοδοτημένο κέντρο επισκευών. Ενημερωθείτε για το πλησιέστερο κέντρο επισκευών της περιοχής σας, επικοινωνώντας με τα γραφεία της Black & Decker στη διεύθυνση που αναγράφεται στο εγχειρίδιο. Επίσης, για να πληροφορηθείτε για τα εξουσιοδοτημένα κέντρα επισκευών της Black & Decker, τις λεπτομέρειες και τους αρμόδιους των υπηρεσιών που παρέχονται μετά την πώληση, μπορείτε να ανατρέξετε στο Διαδίκτυο στη διεύθυνση: **[www.2helpU.com](http://www.2helpU.com)**.





<b>Australia</b>	DeWALT Industrial Power Tool Company 7 Clarice Road, Box Hill, Victoria 3128	Tel. 03 9895 9200 Fax 03 9899 7465
<b>Belgique/België</b>	Black & Decker (Belgium) N.V. Weihoek 1, 1930 Zaventem	Tel. 02/719.07.11 Fax 02/719.08.10
<b>Danmark</b>	Black & Decker Hejrevang 26B, 3450 Allerød Internet: www.blackdecker.dk	Tel. 70 20 15 10 Fax 48 14 13 99
<b>Deutschland</b>	Black & Decker GmbH Black & Decker Str. 40, D - 65510 Idstein	Tel. 06126/21 24 83 Fax 06126/21 26 01
<b>Ελλάς</b>	Black & Decker (Ελλάς) A.E. Στράβωνος 7 & Βουλιαγμένης 159 Γλυφάδα 16674, Ελλάδα	Τηλ. (01) 8981-616 Φαξ (01) 8983-570 Service (01) 8982-630
<b>España</b>	Black & Decker Spain Parque de Negocios "Mas Blau" Edificio Muntadas, c/Bergadá, 1, Of. A6 08820 El Prat de Llobregat (Barcelona)	Tel. 934 797 400 Fax 934 797 419
<b>France</b>	Black & Decker (France) S.A.S. B.P. 21, 69571 Dardilly Cédex	Tel. 04 72 20 39 20 Fax 04 72 20 39 00
<b>Helvetia</b>	ROFO AG Gewerbezone Seeblick 3213 Kleinbödingen	Tel. 026-6749391 Fax 026-6749394
<b>Italia</b>	Black & Decker Italia SpA Viale Elvezia 2 20052 Monza (MI)	Tel. 039-23871 Fax 039-2387592/2387594 Numero verde 800-213935
<b>Nederland</b>	Black & Decker (Nederland) BV Florijnstraat 10, 4879 AH Etten-Leur	Tel. 076-5082000 Fax 076-5038184
<b>New Zealand</b>	Black & Decker 81 Hugo Johnson Drive Penrose, Auckland, New Zealand	Tel. 09 579 7600 Fax 09 579 8200
<b>Norge</b>	Black & Decker (Norge) A/S Postboks 248, Leirdal, 1011 Oslo Internet: www.blackdecker.no	Tlf. 22 90 99 00 Fax 22 90 99 01
<b>Österreich</b>	Black & Decker Vertriebsges.m.b.H Erlaaerstraße 165, 1231 Wien	Tel. 01 66116-0 Fax 01 66116-14
<b>Portugal</b>	Black & Decker Rua Egas Moniz 173, 2766-651 S. João do Estoril	Tel. 214667500 Fax 214667575
<b>South Africa</b>	Black & Decker South Africa (Pty) Ltd Physical address: 39 Commerce Crescent Eastgate, ext. 12, Sandton, Kramerville 2148 Postal address: Postnet Suite 107, Private Bag X65 Halfway House 1685	Tel. (011) 653-1400 Fax (011) 653-1499
<b>Suomi</b>	Black & Decker Oy Palotie 3, 01610 Vantaa Black & Decker Oy, Brandvägen 3, 01610 Vanda	Puh: (09) 825 4540 Fax: (09) 825 45 444 Tel: (09) 825 4540 Fax: (09) 825 45 444
<b>Sverige</b>	Black & Decker AB Box 603, 421 26 Västra Frölunda, Besöksadr. Ekonomivägen 11	Tel: 031-68 60 00 Fax: 031-68 60 08
<b>Türkiye</b>	Black & Decker Merkez Servis Dudullu Cad. Kerembey Sok. No. 1 Küçükbakkalköy/Istanbul	Tel. 0216 455 89 73 Faks 0216 455 20 52
<b>United Kingdom</b>	Black & Decker 210 Bath Road Slough, Berkshire SL1 3YD	Tel. 01753 511234 Fax 01753 551155 Helpline 01753 574277

Dealer address  
Händleradresse  
Cachet du revendeur  
Indirizzo del rivenditore  
Adres van de dealer  
Dirección del detallista  
Morada do revendedor  
Återförsäljarens adress  
Forhandlerens adresse  
Forhandler adresse  
Jälleenmyyjän osoite  
Διεύθυνση αντιπροσώπου

Date of purchase  
Kaufdatum  
Date d'achat  
Data d'acquisto  
Aankoopdatum  
Fecha de compra  
Data de compra  
Inköpsdatum  
Innkjøpsdato  
Indkøbsdato  
Ostopäivä  
Ημερομηνία αγοράς

◆ Name ◆ Name ◆ Nom ◆ Nome  
◆ Naam ◆ Nombre ◆ Nome ◆ Namn  
◆ Navn ◆ Navn ◆ Nimi ◆ Όνομα:

◆ Is this tool a gift? ◆ Ist dieses Gerät ein Geschenk? ◆ S'agit-il d'un cadeau? ◆ Si tratta di un regalo? ◆ Kreeg u de machine als cadeau? ◆ ¿Ha recibido usted esta herramienta como regalo? ◆ Recebeu esta ferramenta como presente? ◆ Är verktyget en gåva? ◆ Er verkjøyet en gave? ◆ Onko kone lahja? ◆ Το εργαλείο είναι δώρο?

◆ Yes ◆ Ja ◆ Oui ◆ Si ◆ Ja ◆ Sí  
◆ Sim ◆ Ja ◆ Ja ◆ Ja ◆ Kyllä ◆ Ναι  
◆ No ◆ Nein ◆ Non ◆ No ◆ No ◆ Nee  
◆ No ◆ Não ◆ Nej ◆ Nei ◆ Nej  
◆ Ei ◆ Oχι

◆ Is this tool your first purchase? ◆ Ist dieses Gerät ein Erstkauf? ◆ Est-ce un 1er achat? ◆ Questo prodotto è il suo primo acquisto? ◆ Is deze machine uw eerste aankoop? ◆ ¿Es esta herramienta la primera de este tipo? ◆ Esta ferramenta é a sua primeira compra? ◆ Är detta ditt första B&D-verktyg? ◆ Er dette ditt første B&D-verktoy? ◆ Onko tämä ensimmäinen B&D-

◆ Postal code ◆ Postleitzahl ◆ Code postal ◆ Codice postale ◆ Postcode  
◆ Código ◆ Código postal ◆ Postnr.  
◆ Postnr. ◆ Postnr. ◆ Postinumero  
◆ Κωδικός

◆ konesi? ◆ Είναι το εργαλείο αυτό η πρώτη σας αγορά?

◆ Yes ◆ Ja ◆ Oui ◆ Si ◆ Ja ◆ Sí  
◆ Sim ◆ Ja ◆ Ja ◆ Ja ◆ Kyllä ◆ Ναι  
◆ No ◆ Nein ◆ Non ◆ No ◆ No ◆ Nee  
◆ No ◆ Não ◆ Nej ◆ Nei ◆ Nej  
◆ Ei ◆ Oχι

◆ Dealer address ◆ Händleradresse  
◆ Cachet du revendeur ◆ Indirizzo del rivenditore ◆ Adres van de dealer  
◆ Dirección del detallista ◆ Morada do revendedor ◆ Återförsäljarens adress  
◆ Forhandlerens adresse ◆ Forhandler adresse  
◆ Jälleenmyyjän osoite  
◆ Διεύθυνση αντιπροσώπου

Cat. no.:



◆ Data protection act: Tick the box if you prefer not to receive further information. ◆ Bitte ankreuzen, falls Sie keine weiteren Informationen erhalten möchten. ◆ Si vous ne souhaitez pas recevoir d'informations, cochez cette case. ◆ Barrate la casella se non desiderate ricevere informazioni. ◆ A.u.b. dit vakje aankruisen indien u geen informatie wenst te ontvangen. ◆ Senale en la casilla sino quiere recibir información. ◆ Por favor, assinale com uma cruz se não desejar receber informação. ◆ Vänligen kryssa för i rutan om Ni inte vill ha information. ◆ Venligst kryss av dersom du ikke ønsker informasjon. ◆ Venligst sæt kryds i ruden såfremt De ikke måtte ønske at modtage information. ◆ Merkittäät rasti ruutuun, mikäli ette halua vastaanottaa informaatiota. ◆ Παρακαλείστε να σημειώσετε εάν δεν θέλετε να πάρετε πληροφορίες.

