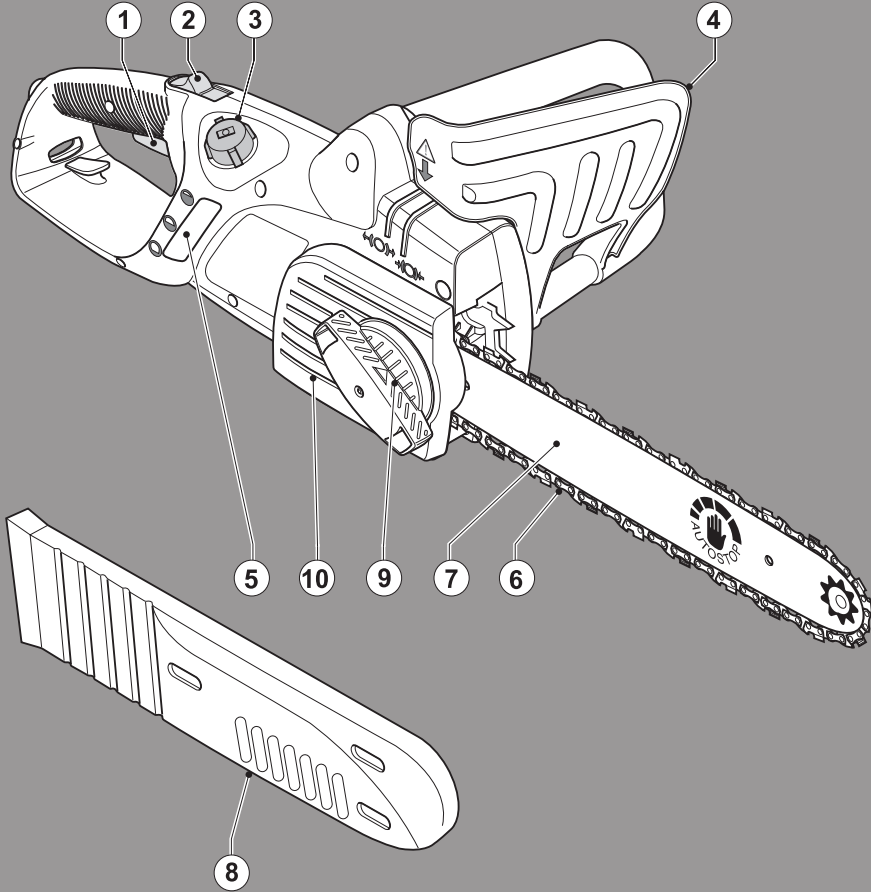


# BLACK & DECKER®

## Powerful Solutions™



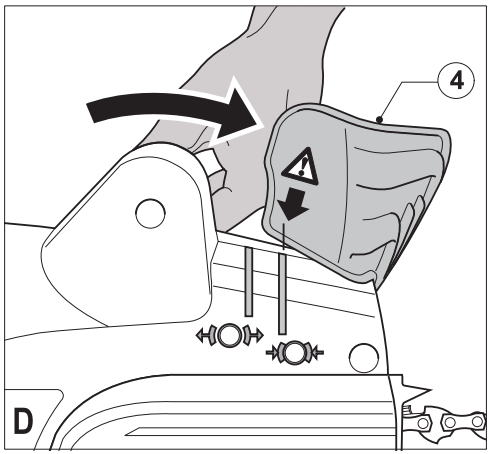
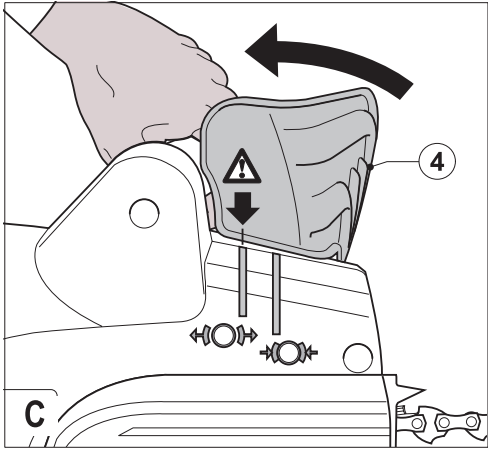
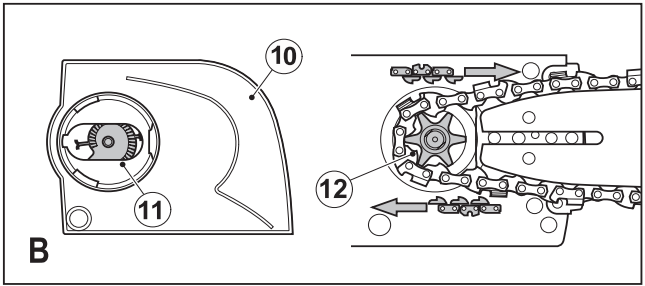
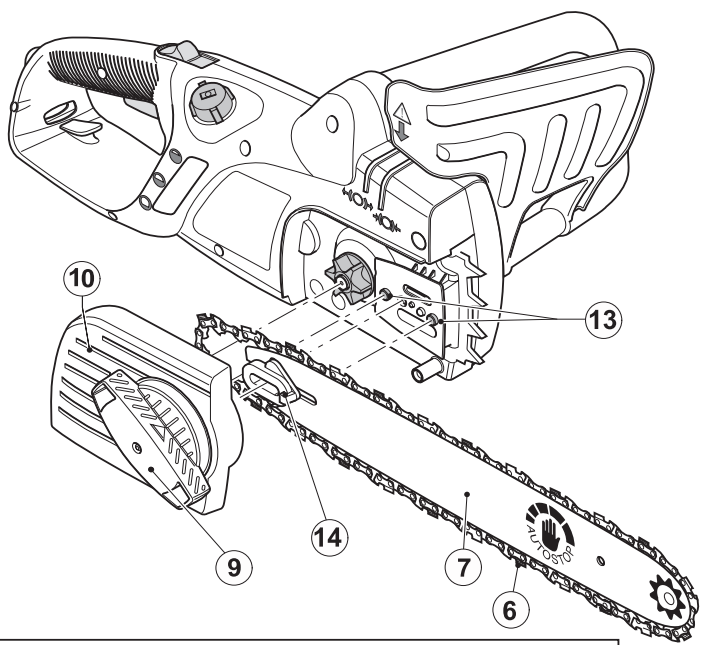
GK1630T

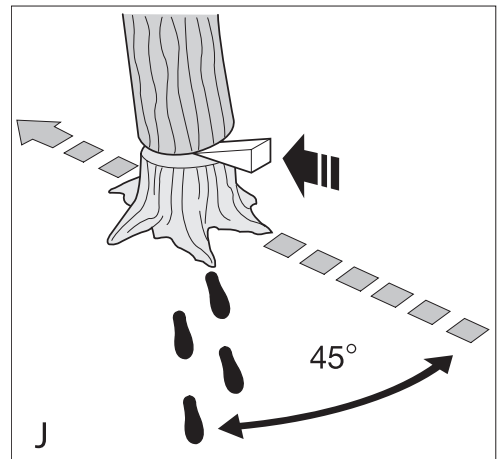
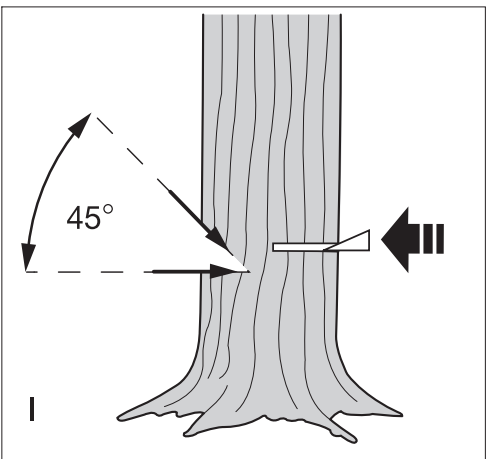
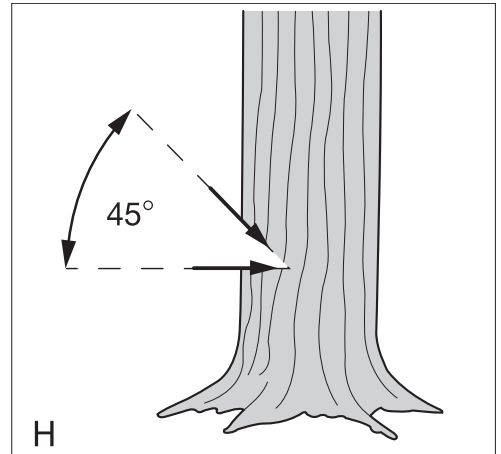
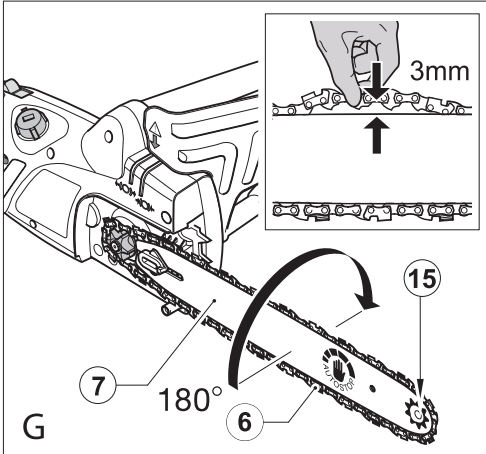
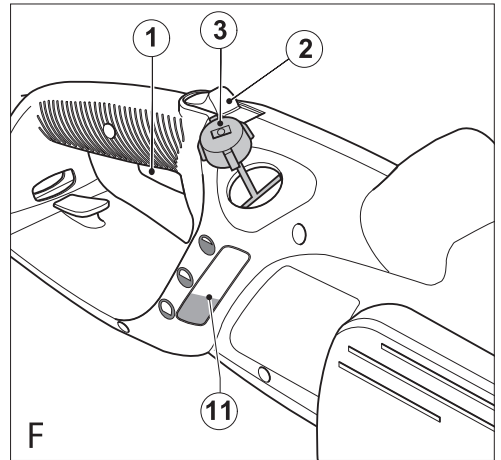
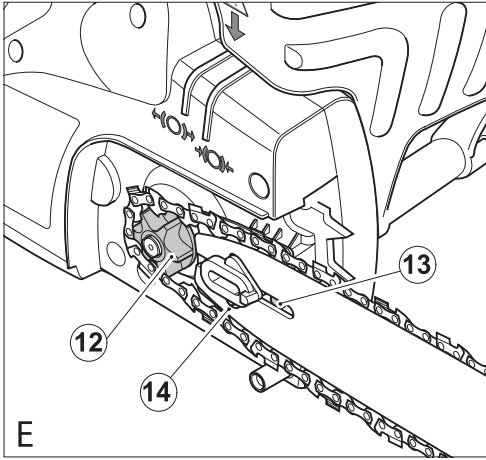
GK1635T

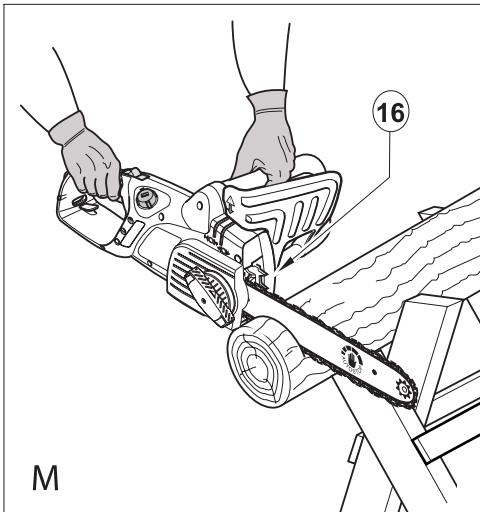
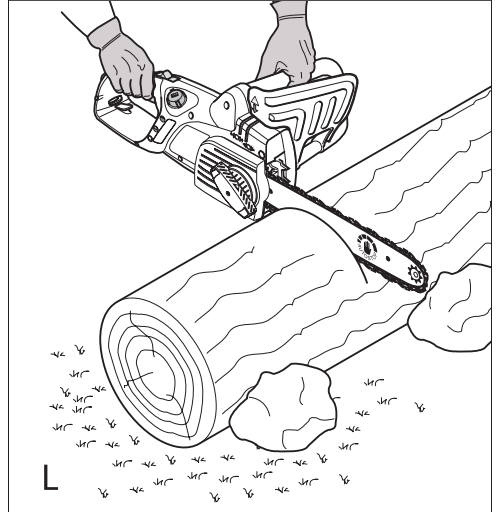
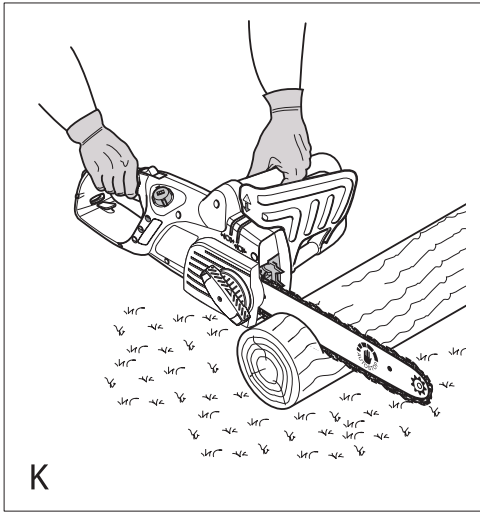
GK1640T

[www.blackanddecker.eu](http://www.blackanddecker.eu)

English	(Original instructions)	6
Deutsch	(Übersetzung der Originalanleitung)	15
Français	(Traduction des instructions d'origine)	25
Italiano	(Traduzione delle istruzioni originali)	35
Nederlands	(Vertaling van de originele instructies)	45
Español	(Traducción de las instrucciones originales)	55
Português	(Tradução das instruções originais)	65
Svenska	(Översättning av de ursprungliga anvisningarna)	75
Norsk	(Oversettelse av de opprinnelige instruksjonene)	84
Dansk	(Oversættelse af de originale instruktioner)	93
Suomi	(Alkuperäisten ohjeiden käännös)	102
Ελληνικά	(Μετάφραση των αρχικών οδηγιών)	111







## Intended use

Your Black & Decker chainsaw has been designed for pruning and felling trees and cutting logs. This tool is intended for consumer use only.

## Safety instructions

### General power tool safety warnings



**Warning! Read all safety warnings and all instructions.** Failure to follow the warnings and instructions listed below may result in electric shock, fire and/or serious injury.

Save all warnings and instructions for future reference.

The term "power tool" in all of the warnings listed below refers to your mains operated (corded) power tool or battery operated (cordless) power tool.

1. **Work area safety**
  - a. **Keep work area clean and well lit.** Cluttered or dark areas invite accidents.
  - b. **Do not operate power tools in explosive atmospheres, such as in the presence of flammable liquids, gases or dust.** Power tools create sparks which may ignite the dust or fumes.
  - c. **Keep children and bystanders away while operating a power tool.** Distractions can cause you to lose control.
2. **Electrical safety**
  - a. **Power tool plugs must match the outlet. Never modify the plug in any way. Do not use any adapter plugs with earthed (grounded) power tools.** Unmodified plugs and matching outlets will reduce risk of electric shock.
  - b. **Avoid body contact with earthed or grounded surfaces such as pipes, radiators, ranges and refrigerators.** There is an increased risk of electric shock if your body is earthed or grounded.
  - c. **Do not expose power tools to rain or wet conditions.** Water entering a power tool will increase the risk of electric shock.
  - d. **Do not abuse the cord. Never use the cord for carrying, pulling or unplugging the power tool. Keep cord away from heat, oil, sharp edges or moving parts.** Damaged or entangled cords increase the risk of electric shock.
  - e. **When operating a power tool outdoors, use an extension cord suitable for outdoor use.** Use of a cord suitable for outdoor use reduces the risk of electric shock.
  - f. **If operating a power tool in a damp location is unavoidable, use a residual current device (RCD) protected supply.** Use of an RCD reduces the risk of electric shock.
3. **Personal safety**
  - a. **Stay alert, watch what you are doing and use common sense when operating a power tool. Do not use a power tool while you are tired or under the influence of drugs, alcohol or medication.** A moment of inattention while operating power tools may result in serious personal injury.
  - b. **Use personal protective equipment. Always wear eye protection.** Protective equipment such as dust mask, non-skid safety shoes, hard hat, or hearing protection used for appropriate conditions will reduce personal injuries.
  - c. **Prevent unintentional starting. Ensure the switch is in the off-position before connecting to power source and/or battery pack, picking up or carrying the tool.** Carrying power tools with your finger on the switch or energising power tools that have the switch on invites accidents.
  - d. **Remove any adjusting key or wrench before turning the power tool on.** A wrench or a key left attached to a rotating part of the power tool may result in personal injury.
  - e. **Do not overreach. Keep proper footing and balance at all times.** This enables better control of the power tool in unexpected situations.
  - f. **Dress properly. Do not wear loose clothing or jewellery. Keep your hair, clothing and gloves away from moving parts.** Loose clothes, jewellery or long hair can be caught in moving parts.
  - g. **If devices are provided for the connection of dust extraction and collection facilities, ensure these are connected and properly used.** Use of dust collection can reduce dust-related hazards.
4. **Power tool use and care**
  - a. **Do not force the power tool. Use the correct power tool for your application.** The correct power tool will do the job better and safer at the rate for which it was designed.
  - b. **Do not use the power tool if the switch does not turn it on and off.** Any power tool that cannot be controlled with the switch is dangerous and must be repaired.
  - c. **Disconnect the plug from the power source and/or the battery pack from the power tool before making any adjustments, changing accessories, or storing power tools.** Such preventive safety measures reduce the risk of starting the power tool accidentally.
  - d. **Store idle power tools out of the reach of children and do not allow persons unfamiliar with the power tool or these instructions to operate the power tool.** Power tools are dangerous in the hands of untrained users.
  - e. **Maintain power tools. Check for misalignment or binding of moving parts, breakage of parts and any other condition that may affect the power tools**

- operation. If damaged, have the power tool repaired before use. Many accidents are caused by poorly maintained power tools.
- f. **Keep cutting tools sharp and clean.** Properly maintained cutting tools with sharp cutting edges are less likely to bind and are easier to control.
  - g. **Use the power tool, accessories and tool bits etc. in accordance with these instructions, taking into account the working conditions and the work to be performed.** Use of the power tool for operations different from those intended could result in a hazardous situation.
5. Service
- a. **Have your power tool serviced by a qualified repair person using only identical replacement parts.** This will ensure that the safety of the power tool is maintained.

### Additional power tool safety warnings



**Warning!** Additional safety warnings for chainsaws

- ◆ **Keep all parts of the body away from the saw chain when the chainsaw is operating.** Before you start the chainsaw, make sure the saw chain is not contacting anything. A moment of inattention while operating the chainsaw may cause entanglement of your clothing or body with the chainsaw.
- ◆ **Always hold the chainsaw with your right hand on the rear handle and your left hand on the front handle.** Holding the chainsaw with the reversed hand configuration increases the risk of personal injury and should never be done.
- ◆ **Wear safety glasses and hearing protection. Further protective equipment for head, hands, legs and feet is recommended.** Adequate protective clothing will reduce personal injury by flying debris or accidental contact with the saw chain.
- ◆ **Do not operate a chainsaw in a tree.** Operation of a chainsaw while up in a tree may result in personal injury.
- ◆ **Always keep proper footing and operate the chainsaw only when standing on fixed, secure and level surface.** Slippery or unstable surfaces such as ladders may cause a loss of balance or control of the chainsaw.
- ◆ **When cutting a limb that is under tension be alert for spring back.** When the tension in the wood fibres is released the spring loaded limb may strike the operator and/or throw the chainsaw out of control.
- ◆ **Use extreme caution when cutting brush and saplings.** The slender material may catch the saw chain and be whipped toward you or pull you off balance.

- ◆ **Carry the chainsaw by the front handle with the chainsaw switched off and away from your body.** When transporting or storing the chainsaw always fit the guide bar cover. Proper handling of the chainsaw will reduce the likelihood of accidental contact with the moving saw chain.
- ◆ **Follow instructions for lubricating, chain tensioning and changing accessories.** Improperly tensioned or lubricated chain may either break or increase the chance for kickback
- ◆ **Keep handles dry, clean, and free from oil and grease.** Greasy, oily handles are slippery causing loss of control.
- ◆ **Cut wood only.** Do not use chainsaw for purposes not intended. For example: do not use the chainsaw for cutting plastic, masonry or non-wood building materials. Use of the chainsaw for operations different than intended could result in a hazardous situation.
- ◆ **Position the cord so that it will not get caught on branches or similar when cutting.**
- ◆ **The spiked bumper (16) may become sharp during the life of the product. handle with care.**
- ◆ **When handling the product the chain bar may become hot, handle with care.**

### Causes and operator prevention of kickback

Kickback may occur when the nose or tip of the guide bar touches an object, or when the wood closes in and pinches the saw chain in the cut.

Tip contact in some cases may cause a sudden reverse reaction, kicking the guide bar up and back towards the operator.

Pinching the saw chain along the top of the guide bar may push the guide bar rapidly back towards the operator.

Either of these reactions may cause you to lose control of the chainsaw which could result in serious personal injury. Do not rely exclusively upon the safety devices built into your chainsaw. As a chainsaw user, you should take several steps to keep your cutting jobs free from accident or injury. Kickback is the result of tool misuse and / or incorrect operating procedures or conditions and can be avoided by taking proper precautions as given below:

- ◆ **Maintain a firm grip, with thumbs and fingers encircling the chainsaw handles. With both hands on the chainsaw, position your body and arm to allow you to resist kickback forces.** Kickback forces can be controlled by the operator, if proper precautions are taken. Do not let go of the chainsaw.
- ◆ **Do not overreach and do not cut above shoulder height.** This helps prevent unintended tip contact and enables better control of the chainsaw in unexpected situations.

- ◆ **Only use replacement guide bars and chains specified by the manufacturer.** Incorrect replacement guide bars and chains may cause chain breakage and/ or kickback.
- ◆ **Follow the manufacturer's sharpening and maintenance instructions for the saw chain.** Decreasing the depth gauge height can lead to increased kickback.
- ◆ Striking metal, cement or any other hard material near the wood, or buried in the wood can cause kickback.
- ◆ A dull or loose chain can cause kickback.
- ◆ Do not try to insert into a previous cut. As this could cause kickback. Make a fresh cut every time.

## Safety recommendations for the chainsaw

- ◆ We strongly recommend that first time users obtain practical instruction in the use of the chainsaw and protective equipment from an experienced user. Initial practice should be completed sawing logs on a saw horse or cradle.
- ◆ Always check that the kickback brake operates correctly before use.
- ◆ We recommend that when carrying the chainsaw that you make sure that the brake is engaged and the saw chain is facing backwards.
- ◆ Maintain your chainsaw when not in use. Do not store your chainsaw for any length of time without first removing the saw chain and guide bar which should be kept immersed in oil. Store all parts of your chainsaw in a dry, secure place out of reach of children.
- ◆ We recommend you drain the oil reservoir prior to storage.
- ◆ Be sure of your footing and pre-plan a safe exit from a falling tree or branches.
- ◆ Use wedges to help control felling and prevent binding the guide bar and saw chain in the cut.
- ◆ Saw chain care. Keep the saw chain sharp and snug on the guide bar. Ensure the saw chain and guide bar are clean and well oiled. Keep handles dry, clean and free from oil and grease.

## Avoid cutting

- ◆ Prepared timber.
- ◆ Into the ground.
- ◆ Into wire fences, nails, etc.

## Vibration

The declared vibration emission values stated in the technical data and the declaration of conformity have been measured in accordance with a standard test method provided by EN 60745 and may be used for comparing one tool with

another. The declared vibration emission value may also be used in a preliminary assessment of exposure.

**Warning!** The vibration emission value during actual use of the power tool can differ from the declared value depending on the ways in which the tool is used. The vibration level may increase above the level stated.

When assessing vibration exposure to determine safety measures required by 2002/44/EC to protect persons regularly using power tools in employment, an estimation of vibration exposure should consider, the actual conditions of use and the way the tool is used, including taking account of all parts of the operating cycle such as the times when the tool is switched off and when it is running idle in addition to the trigger time.

## Electrical safety



This tool is double insulated; therefore no earth wire is required. Always check that the power supply corresponds to the voltage on the rating plate.

- ◆ If the supply cord is damaged, it must be replaced by the manufacturer or an authorised Black & Decker Service Centre in order to avoid a hazard.

## Using an extension cable

- ◆ Always use an approved extension cable suitable for the power input of this tool (see technical data). The extension cable must be suitable for outdoor use and marked accordingly. Up to 30 m of H07RN-F 2 X 1.5 mm<sup>2</sup> extension cable can be used without loss of product performance. Before use, inspect the extension cable for signs of damage, wear and ageing. Replace the extension cable if damaged or defective. When using a cable reel, always unwind the cable completely.

## Guard against electric shock

- ◆ Prevent body contact with earthed or grounded surfaces (e.g. metal railings, lamp-posts etc.). Electric safety can be further improved by using a high-sensitivity (30 mA/ 30mS) Residual Current Device (RCD).



**Warning!** The use of an RCD or other circuit breaker unit does not release the operator of your chainsaw from the safety instructions and safe working practices given in this user manual.



## Additional safety instructions

- ◆ This appliance is not intended for use by persons (including children) with reduced physical, sensory or mental capabilities, or lack of experience and knowledge, unless they have been given supervision or instruction concerning use of the appliance by a person responsible for their safety.
- ◆ Children should be supervised to ensure that they do not play with the appliance.
- ◆ Ensure someone is nearby (but at a safe distance) in case of an accident.
- ◆ If for any reason you have to touch the saw chain, make sure your chainsaw is disconnected from the mains.
- ◆ The noise from this product can exceed 85 dB(A). We therefore recommend you take appropriate measures for the protection of hearing.



Always remove the plug from the socket before inspecting a damaged cable. Be careful not to use your chainsaw if the cable is damaged.



Directive 2000/14/EC guaranteed sound power.



To ensure continued safe operation, check the chain tension as described in this manual after every 10 minutes of use, and adjust back to a clearance of 3 mm as required.

## Residual risks.

Additional residual risks may arise when using the tool which may not be included in the enclosed safety warnings. These risks can arise from misuse, prolonged use etc.

Even with the application of the relevant safety regulations and the implementation of safety devices, certain residual risks can not be avoided. These include:

- ◆ Injuries caused by touching any rotating/moving parts.
- ◆ Injuries caused when changing any parts, blades or accessories.
- ◆ Injuries caused by prolonged use of a tool. When using any tool for prolonged periods ensure you take regular breaks.
- ◆ Impairment of hearing.
- ◆ Health hazards caused by breathing dust developed when using your tool (example:- working with wood, especially oak, beech and MDF.)

## Labels on tool

The following pictograms are shown on the tool:



**Warning!** To reduce the risk of injury, the user must read the instruction manual.



Always wear ear and eye protection



Do not expose the tool to rain or high humidity.

## Features

1. On/off switch
2. Lock-off button
3. Oil cap
4. Front guard/chain brake
5. Oil level indicator
6. Chain
7. Guide bar
8. Chain sheath
9. Control knob
10. Chain cover assembly

## Assembly



**Warning!** Always wear protective gloves when working on your chainsaw.



**Warning!** Before performing any maintenance on power tools, switch off and unplug the appliance.

## Oiling the chain

You must do this whenever you use a new chain (6) for the first time. Take the new chain (6) and soak it in chain oil for at least an hour before using it. Use Black & Decker chain oil. We recommend that you use only Black & Decker oil during the lifetime of your chainsaw because mixtures of different oils could lead to the oil becoming degraded, which can drastically shorten the lifetime of the saw chain and create additional risks.

Never use waste oil, thick oil or very thin sewing machine oil. These may damage your chainsaw.

### Fitting the guide bar and chain. (fig. A - E)

- ◆ Place the chainsaw onto a stable surface.
- ◆ Set the front guard/chain brake assembly to the forward position (fig. D).
- ◆ Fully loosen the control knob (9) (fig. A)
- ◆ Remove the chain cover assembly (10).
- ◆ Place the chain (6) over the guide bar (7) making sure that the saw chain cutters on the upper part of the guide bar (7) face towards the front (fig. B).
- ◆ Guide the chain (6) around the guide bar (7) and pull it to create a loop to one side at the rear end of the guide bar (7).
- ◆ Guide the chain (6) around the drive sprocket (12). Place the guide bar (7) onto the bar location studs (13) (fig. E).

**Warning!** Make sure that the front guard/chain brake assembly (4) is in the set (forward) position before refitting (fig. C).

- ◆ Before fitting the chain cover assembly check that the cam (11) (fig. B) is in the correct position. If necessary, press in and turn the control knob (9) clockwise to rotate the cam into the correct position.
- ◆ Fit the chain cover by locating the bolt and using the control knob (9) to tighten the chain cover finger tight.
- ◆ To tension the chain, loosen the control knob one full turn, press in firmly and rotate clockwise. As the bar moves forward make sure that the chain links feed into the guide bar.
- ◆ Allow the control knob to spring back to the „out“ position and rotate further clockwise to tighten the guide bar. Do not overtighten.
- ◆ Check the tension as described below.

### Checking and adjusting the chain tension (fig. G)

Before use and after every 10 minutes of use, you must check the chain tension.

- ◆ Disconnect the tool from the mains supply.
- ◆ Lightly pull on the chain (6) as shown (inset fig. G). The tension is correct when the chain (6) snaps back after being pulled 3 mm away from the guide bar (7). There should be no "sag" between the guide bar (7) and the chain (6) on the underside.

**Note:** Do not over-tension the chain as this will lead to excessive wear and will reduce the life of the guide bar and the chain.

**Note:** When the chain is new, check the tension frequently (after disconnecting from the mains) during the first 2 hours of use because a new chain stretches slightly.

### To increase the tension

- ◆ Loosen the control knob one full turn, press in firmly and rotate clockwise until the required tension is reached. As the bar moves forward make sure that the chain links feed into the guide bar.
- ◆ Allow the control knob to spring back to the „out“ position and rotate further clockwise to tighten the guide bar. Do not overtighten.

### Use

**Warning!** Let the tool work at its own pace. Do not overload.

### Filling the oil reservoir (fig. F)

- ◆ Remove the oil cap (3) and fill the reservoir with the recommended chain oil. You can see the oil level in the oil level indicator (5). Refit the oil cap (3).
- ◆ Periodically switch off and check the oil level indicator (5); if it is less than a quarter full, disconnect your chainsaw from the mains supply and refill with the correct oil.

### Switching on

**Note:** It will not be possible to switch the tool on if the front guard/chain brake assembly is not in the "set" position.

- ◆ Grip your chainsaw firmly with both hands. Push the lock-off button (2) and then push the on/off switch (1) to start.
- ◆ When the motor starts, remove your thumb from the lock button (2) and grip the handle firmly.

Do not force the tool, allow the tool to do the work.

It will do a better and safer job at the speed for which it is designed. Excessive force will stretch the saw chain (6).

### How to set the chain brake (fig. C)

- ◆ Make sure that the tool is disconnected from the mains supply.
- ◆ Pull the front guard/chain brake assembly (4) back into the "set" (fig. C) position.
- ◆ The tool is now ready to use.

### How the anti-kickback chain brake works

In the event of kickback, your left hand comes in contact with the front guard, pushing it forwards, toward the workpiece, and stops the tool within a few fractions of a second.

### How to test the anti-kickback chain brake (fig. C)

- ◆ Always check that the kickback brake operates correctly before use.
- ◆ Grip the tool firmly in both hands on a firm surface make sure the saw chain (6) is clear of the ground and switch on (see "How to switch the chainsaw on").

- ◆ Rotate your left hand forward around the front handle so that the back of your hand comes in contact with the front guard/chain brake assembly (4) and push it forwards, toward the workpiece (fig. C). The saw chain (6) should stop within a few fractions of a second.

To reset after the operation of the front guard/chain brake assembly (4) follow the instructions for "How to set the chain brake".

**Note:** Avoid re-starting the tool until you hear the motor come to a complete rest.

**Note:** If chain brake is malfunctioning take the product to an approved Black & Decker service centre.

### If the saw chain (6) or guide bar (7) becomes jammed

- ◆ Switch the tool off.
- ◆ Disconnect the tool from the mains supply.
- ◆ Open the cut with wedges to relieve the strain on the guide bar (7). Do not try to wrench the chainsaw free.
- ◆ Start a fresh cut.

### Felling (fig. H - J)

Inexperienced users should not attempt to fell trees. The user may suffer injury or cause damage to property as a result of failure to control the direction of fall, the tree may splinter or damaged/dead branches may fall during cutting. The safe distance between a tree to be felled and bystanders, buildings and other objects is at least 2 1/2 times the height of the tree. Any bystander, building or object within this distance is at risk from being struck by the tree when felled.

#### Before attempting to fell a tree:

- ◆ Make sure that there are no local by-laws or regulations that would prohibit or control the felling of the tree.
- ◆ Consider all conditions that may affect the direction of fall, including:
  - The intended direction of fall.
  - The natural lean of the tree.
  - Any unusual heavy limb structure or decay.
  - Surrounding trees and obstacles including overhead lines and underground drains.
  - The wind speed and direction.

Pre-plan a safe exit from falling trees or branches. Make sure that the exit route is clear of obstacles that would prevent or hinder movement. Remember that wet grass and freshly cut bark is slippery.

- ◆ Do not attempt to fell trees where the tree diameter is greater than the cutting length of the chainsaw.
- ◆ Cut a direction notch to determine the direction of fall.
- ◆ Make a horizontal cut to a depth of between 1/5th and

1/3rd of the diameter of the tree, perpendicular to the line of fall at the base of the tree (fig. H).

- ◆ Make a second cut from above to intersect with the first and make a notch of about 45°.
- ◆ Make a single horizontal felling cut from the other side 25 mm to 50 mm above the centre of the direction notch. (fig. I). Do not cut through to the direction notch, you could lose control of the direction of fall.
- ◆ Drive a wedge or wedges into the felling cut to open it and drop the tree (fig. J).

### Pruning trees

Make sure that there are no local by-laws or regulations that would prohibit or control the pruning of the tree limbs. Pruning should only be undertaken by experienced users there is an increased risk of the saw chain pinching and kick back.

#### Before pruning consideration should be given to conditions affecting the direction of fall including:

- ◆ The length and weight of the branch to be cut.
- ◆ Any unusual heavy limb structure or decay.
- ◆ Surrounding trees and obstacles including overhead.
- ◆ The wind speed and direction.
- ◆ The branch being intertwined with other branches.

The operator should consider access to the tree limb and the direction of fall. The tree branch is liable to swing towards the tree trunk. In addition to the user bystanders, objects and property below the branch will be at risk.

- ◆ To avoid splintering, make the first cut in an upward direction to a maximum depth of one third the diameter of the branch.
- ◆ Make the second cut downwards to meet the first.

### Logging (fig. K - M)

How you should cut depends on how the log is supported. Use a saw horse whenever possible. Always start a cut with the saw chain running and the spiked bumper (16) in contact with the wood (fig. K). To complete the cut use a pivoting action of the spiked bumper against the wood.

#### When supported along its whole length:

- ◆ Make a downward cut, but avoid cutting the earth as this will blunt your saw chain quickly.

#### When supported at both ends:

- ◆ First, cut one third down to avoid splintering and second, cut again to meet the first cut.

**When supported at one end:**

- ◆ First cut one third up to avoid splintering and second, cut down to prevent splintering.

**When on a slope (fig. L):**

- ◆ Always stand on the uphill side.

**When attempting to cut a log on the ground (fig. L):**

- ◆ Secure the workpiece using chocks or wedges. The user or a bystander should not steady the log by sitting or standing on it. Make sure that the saw chain does not contact the ground.

**When using a saw horse (fig. M):**

This is strongly recommended whenever possible.

- ◆ Position the log in a stable position. Always cut on the outside of the saw horse arms. Use clamps or straps to secure the workpiece.

**Troubleshooting**

Problem	Possible cause	Possible solution
Tool will not start	Lock button not pressed.	Press the lock button.
	Front guard in the brake position	Reset front guard
	Blown fuse	Replace fuse
	Tripped RCD	Check RCD
	Mains lead not connected	Check mains supply
Chain does not stop instantly when the tool is switched off	Chain tension is too slack	Check chain tension
Bar/chain appear hot/smoking	Oil tank empty	Check oil tank level
	Oil hole blocked on chain bar	Clean oil hole
	Chain tension is too tight	Check chain tension
	Guide bar sprocket nose needs greasing	Oil the guide bar sprocket nose

Problem	Possible cause	Possible solution
Chainsaw does not cut well	Chain on backwards	Check/modify chain direction
		Sharpen
Chainsaw not using oil	Debris in tank	Empty oil from tank and replace
	Oil hole in cap blocked	Remove debris from hole
	Debris in chain bar	Remove debris and clean the chain bar
	Debris in oil outlet	remove debris

**Maintenance**

Regular maintenance ensures a long effective life for the tool. We recommend you make the following checks on a regular basis.

**Warning!** Before performing any maintenance on power tools:

- ◆ Switch off and disconnect the tool from the mains supply.

**Oil level**

The level in the reservoir should not be allowed to fall below a quarter full.

**Saw chain and guide bar (fig. G)**

- ◆ After every few hours of use and before storage, remove the guide bar (7) and the saw chain (6) and clean them thoroughly.
- ◆ Make sure that the guard is clean and free from debris.
- ◆ On reassembling, turn the guide bar (7) through 180° and oil sprocket nose via the sprocket lubrication hole (17). This ensures an even distribution of wear around the guide bar rails.

**Saw chain sharpening**

If you are to get the best possible performance from the tool it is important to keep the teeth of the saw chain sharp. Guidance for this procedure is found on the sharpener package. For this purpose we recommend the purchase of the Black & Decker saw chain sharpening kit (available from Black & Decker service agents and selected dealers).

**Replacing worn out saw chains**

Replacement saw chains are available through retailers or Black & Decker service agents. Always use genuine spare parts.

### Saw chain sharpness

The saw chain cutters will blunt immediately if they touch the ground or a nail while cutting.

### Saw chain tension

Regularly check the saw chain tension.

### What to do if your chainsaw needs repair.

Your chainsaw is manufactured in accordance with the relevant safety requirements. Repairs should only be carried out by a qualified person using original spare parts otherwise this may result in considerable danger to the user. We recommend you keep this user manual in a safe place.

### Protecting the environment



Separate collection. This product must not be disposed of with normal household waste.

Should you find one day that your Black & Decker product needs replacement, or if it is of no further use to you, do not dispose of it with household waste. Make this product available for separate collection.



Separate collection of used products and packaging allows materials to be recycled and used again.

Re-use of recycled materials helps prevent environmental pollution and reduces the demand for raw materials.

Local regulations may provide for separate collection of electrical products from the household, at municipal waste sites or by the retailer when you purchase a new product.

Black & Decker provides a facility for the collection and recycling of Black & Decker products once they have reached the end of their working life. To take advantage of this service please return your product to any authorised repair agent who will collect them on our behalf.

You can check the location of your nearest authorised repair agent by contacting your local Black & Decker office at the address indicated in this manual. Alternatively, a list of authorised Black & Decker repair agents and full details of our after-sales service and contacts are available on the Internet at: [www.2helpU.com](http://www.2helpU.com)

### Technical data

	GK1630T	GK1635T
	Typ. 5	Typ. 5
Bar length	cm 30	35
Voltage	V <sub>AC</sub> 230	230
Power input	W 1600	1600
Chain speed (no load)	m/s 8	8
Max cutting length	cm 30	35
Oil capacity	ml 180	180
Weight	kg 3.7	3.8
Safety class	II	II

	GK1640T
	Typ. 5
Bar length	cm 40
Voltage	V <sub>AC</sub> 230
Power input	W 1600
Chain speed (no load)	m/s 8
Max cutting length	cm 40
Oil capacity	ml 180
Weight	kg 3.9
Safety class	II

#### Level of sound pressure according to EN 60745:

Sound pressure ( $L_{pA}$ ) 92 dB(A), uncertainty (K) 3 dB(A)  
 Sound power ( $L_{WA}$ ) 103 dB(A), uncertainty (K) 3 dB(A)

#### Vibration total values (tri-ax vector sum) according to EN 60745:

Vibration emission value ( $a_{hV}$ ) 5 m/s<sup>2</sup>, uncertainty (K) 1.5 m/s<sup>2</sup>

**EC declaration of conformity**MACHINERY DIRECTIVE  
OUTDOOR NOISE DIRECTIVE

GK1630T, GK1635T, GK1640T

Black & Decker declares that these products described under "technical data" are in compliance with:

98/37/EC (until Dec. 28, 2009), 2006/42/EC  
(from Dec. 29, 2009), EN 60745-1, EN 60745-2-13

2000/14/EC, Chain Saw, Annex V  
KEMA Quality B.V., Utrechtseweg 310, 6802 ED Arnhem,  
The Netherlands  
Notified Body ID No.: 0344

Level of acoustic power according to 2000/14/EC  
(Article 13, Annex III):

$L_{WA}$  (measure sound power) 103 dB(A)

Uncertainty = 3 dB(A)

$L_{WA}$  (guaranteed sound power) 103 dB(A)

Uncertainty = 3 dB(A)

These products also comply with directive 2004/108/EC.  
For more information, please contact Black & Decker at the  
following address or refer to the back of the manual.

The undersigned is responsible for compilation of the technical  
file and makes this declaration on behalf of Black & Decker.

Kevin Hewitt  
Vice-President Global Engineering  
Black & Decker Europe, 210 Bath Road, Slough,  
Berkshire, SL1 3YD  
United Kingdom  
01-12-2009

**Guarantee**

Black & Decker is confident of the quality of its products and offers an outstanding guarantee. This guarantee statement is in addition to and in no way prejudices your statutory rights. The guarantee is valid within the territories of the Member States of the European Union and the European Free Trade Area.

If a Black & Decker product becomes defective due to faulty materials, workmanship or lack of conformity, within 24 months from the date of purchase, Black & Decker guarantees to replace defective parts, repair products subjected to fair wear and tear or replace such products to ensure minimum inconvenience to the customer unless:

- ◆ The product has been used for trade, professional or hire purposes;
- ◆ The product has been subjected to misuse or neglect;
- ◆ The product has sustained damage through foreign objects, substances or accidents;
- ◆ Repairs have been attempted by persons other than authorised repair agents or Black & Decker service staff.

To claim on the guarantee, you will need to submit proof of purchase to the seller or an authorised repair agent. You can check the location of your nearest authorised repair agent by contacting your local Black & Decker office at the address indicated in this manual. Alternatively, a list of authorised Black & Decker repair agents and full details of our after-sales service and contacts are available on the Internet at: [www.2helpU.com](http://www.2helpU.com)

Please visit our website [www.blackanddecker.co.uk](http://www.blackanddecker.co.uk) to register your new Black & Decker product and to be kept up to date on new products and special offers. Further information on the Black & Decker brand and our range of products is available at [www.blackanddecker.co.uk](http://www.blackanddecker.co.uk)

## Bestimmungsgemäße Verwendung

Ihre Black & Decker Kettensäge wurde zum Schneiden von Ästen, zum Fällen von Bäumen und zum Sägen von Brennholz konstruiert. Dieses Gerät ist nicht für den gewerblichen Einsatz bestimmt.

## Sicherheitshinweise

### Allgemeine Sicherheitswarnungen für das Gerät



**Achtung! Lesen Sie sämtliche Sicherheitswarnungen und Anweisungen.** Die Nichteinhaltung der nachstehend aufgeführten Warnungen und Anweisungen kann einen elektrischen Schlag, Brand und/oder schwere Verletzungen verursachen.

Bewahren Sie alle Sicherheitswarnungen und Anweisungen gut auf. Der nachfolgend verwendete Begriff "Gerät" bezieht sich auf netzbetriebene Geräte (mit Netzkabel) und auf akkubetriebene Geräte (ohne Netzkabel).

### 1. Sicherheit im Arbeitsbereich

- a. Halten Sie Ihren Arbeitsbereich sauber und gut ausgeleuchtet. Unordnung oder dunkle Arbeitsbereiche können zu Unfällen führen.
- b. Betreiben Sie das Gerät nicht in Umgebungen, in denen Explosionsgefahr z. B. aufgrund von brennbaren Flüssigkeiten, Gasen oder Staub besteht. Geräte erzeugen Funken, die den Staub oder die Dämpfe entzünden können.
- c. Halten Sie Kinder und andere Personen während der Benutzung eines Geräts fern. Bei Ablenkung können Sie die Kontrolle verlieren.

### 2. Elektrische Sicherheit

- a. Der Netzstecker des Geräts muss in die Steckdose passen. Der Stecker darf in keiner Weise verändert werden. Verwenden Sie für schutzgeerdete Geräte keine Adapterstecker. Unveränderte Stecker und passende Steckdosen verringern das Risiko eines elektrischen Schlags.
- b. Vermeiden Sie Körperkontakt mit geerdeten Oberflächen wie Rohre, Heizungen, Herde und Kühlschränke. Wenn Ihr Körper geerdet ist, besteht ein erhöhtes Risiko eines elektrischen Schlags.
- c. Halten Sie Geräte von Regen und Nässe fern. Das Eindringen von Wasser in ein Gerät erhöht das Risiko eines elektrischen Schlags.
- d. Verwenden Sie das Kabel ordnungsgemäß. Verwenden Sie es niemals zum Tragen. Trennen Sie das Gerät nicht durch Ziehen am Kabel vom Netz. Halten Sie das

Kabel fern von Hitze, Öl, scharfen Kanten oder sich bewegenden Teilen. Beschädigte oder verwickelte Kabel erhöhen das Risiko eines elektrischen Schlags.

- e. Wenn Sie mit einem Gerät im Freien arbeiten, verwenden Sie nur Verlängerungskabel, die für den Außenbereich zugelassen sind. Die Verwendung eines für den Außenbereich geeigneten Verlängerungskabels verringert das Risiko eines elektrischen Schlags.
- f. Wenn das Gerät in einer feuchten Umgebung verwendet werden muss, schließen Sie es unbedingt an eine Steckdose mit Fehlerstromschutzschalter (FI-Schalter) an. Die Verwendung eines Fehlerstromschutzschalters verringert das Risiko eines elektrischen Schlags.

### 3. Sicherheit von Personen

- a. Verwenden Sie das Gerät aufmerksam und vernünftig. Benutzen Sie das Gerät nicht, wenn Sie müde sind oder unter dem Einfluss von Drogen, Alkohol oder Medikamenten stehen. Ein Moment der Unachtsamkeit beim Gebrauch von Geräten kann zu ernsthaften Verletzungen führen.
- b. Verwenden Sie eine geeignete Schutzausrüstung. Tragen Sie stets einen Augenschutz. Schutzausrüstung wie Staubmaske, rutschfeste Sicherheitsschuhe, Schutzhelm oder Gehörschutz, je nach Art und Einsatz des Geräts, verringert das Risiko von Verletzungen.
- c. Vermeiden Sie eine unbeabsichtigte Inbetriebnahme. Vergewissern Sie sich, dass das Gerät ausgeschaltet ist, bevor Sie es an eine Steckdose oder einen Akku anschließen, es hochheben oder tragen. Durch das Tragen des Geräts mit dem Finger am Schalter oder durch das Anschließen eingeschalteter Geräte werden Unfälle provoziert.
- d. Entfernen Sie Einstell- oder Schraubenschlüssel, bevor Sie das Gerät einschalten. Ein Schlüssel, der sich in einem drehenden Teil befindet, kann zu Verletzungen führen.
- e. Beugen Sie sich nicht zu weit nach vorne. Achten Sie auf einen sicheren Stand, um in jeder Arbeitsposition das Gleichgewicht zu halten. Dadurch können Sie das Gerät in unerwarteten Situationen besser unter Kontrolle halten.
- f. Tragen Sie geeignete Kleidung. Tragen Sie keine weite Kleidung oder Schmuck. Halten Sie Haare, Kleidung und Handschuhe fern von sich bewegenden Teilen. Weite Kleidung, Schmuck oder lange Haare können von sich bewegenden Teilen erfasst werden.
- g. Falls Vorrichtungen zum Absaugen oder Auffangen von Staub vorhanden sind, vergewissern Sie sich, dass diese angeschlossen sind und richtig verwendet werden. Das Verwenden einer Staubauffangvorrichtung verringert Gefährdungen durch Staub.



#### 4. Gebrauch und Pflege von Geräten

- a. Überlasten Sie das Gerät nicht. Verwenden Sie das für Ihre Arbeit passende Gerät. Durch das Arbeiten in dem für das Gerät angegebenen Leistungsbereich erzielen Sie nicht nur optimale Ergebnisse, Sie erhöhen auch die Sicherheit.
- b. Verwenden Sie das Gerät nicht, wenn der Ein-/Ausschalter nicht funktioniert. Ein Gerät, das sich nicht mehr ein- oder ausschalten lässt, ist gefährlich und muss repariert werden.
- c. Ziehen Sie den Stecker aus der Steckdose, oder trennen Sie das Gerät vom Akku, bevor Sie Einstellungen vornehmen, Zubehörteile wechseln oder das Gerät lagern. Diese Vorsichtsmaßnahme verhindert den unbeabsichtigten Start des Geräts.
- d. Bewahren Sie unbenutzte Geräte außerhalb der Reichweite von Kindern auf. Lassen Sie Geräte nicht von Personen benutzen, die damit nicht vertraut sind oder diese Anweisungen nicht gelesen haben. Geräte sind gefährlich, wenn Sie von unerfahrenen Personen benutzt werden.
- e. Halten Sie das Gerät in einem einwandfreien Zustand. Kontrollieren Sie, ob bewegliche Teile falsch ausgerichtet sind oder klemmen und ob Teile gebrochen oder so beschädigt sind, dass die Funktion des Geräts beeinträchtigt ist. Lassen Sie beschädigte Geräte vor dem Gebrauch reparieren. Viele Unfälle haben ihre Ursache in schlecht gewarteten Geräten.
- f. Halten Sie Schneidgeräte scharf und sauber. Sorgfältig gepflegte Schneidwerkzeuge mit scharfen Schneidkanten verklemmen sich seltener und sind leichter zu führen.
- g. Verwenden Sie Gerät, Zubehör, Einsatz-Bits usw. entsprechend diesen Anweisungen, und berücksichtigen Sie dabei die Arbeitsbedingungen und die auszuführende Arbeit. Der Gebrauch von Geräten für andere als die vorgesehenen Anwendungen kann zu gefährlichen Situationen führen.

#### 5. Service

- a. Lassen Sie das Gerät nur von qualifiziertem Fachpersonal und nur mit Originalersatzteilen reparieren. So wird gewährleistet, dass die Sicherheit des Geräts erhalten bleibt.

#### Zusätzliche Sicherheitswarnungen für das Gerät



**Achtung!** Zusätzliche Sicherheitswarnungen für Kettensägen.

- ◆ Gegenstände berührt. Ein Moment der Unachtsamkeit während des Betriebs kann dazu führen, dass die Kette Körper- oder Kleidungsstücke berührt.
  - ◆ Halten Sie die Kettensäge immer mit der rechten Hand am hinteren und mit der linken Hand am vorderen Griff. Wenn Sie das Gerät anders halten, besteht erhöhte Verletzungsgefahr.
  - ◆ Tragen Sie eine Schutzbrille und einen Gehörschutz. Außerdem empfiehlt sich das Tragen zusätzlicher Schutzausrüstung für Kopf, Hände, Beine und Füße. Geeignete Schutzausrüstung verringert das Risiko von Verletzungen durch weggeschleuderte Schnittabfälle oder durch unabsichtlichen Kontakt mit der Kette.
  - ◆ Arbeiten Sie mit der Kettensäge nicht auf Bäumen. Dies kann zu schweren Verletzung führen.
  - ◆ Achten Sie jederzeit auf einen sicheren Stand, und benutzen Sie die Kettensäge nur auf festem, ebenen Boden. Auf rutschigen und instabilen Oberflächen oder auf Leitern ist kein sicherer Stand gewährleistet. Es besteht die Gefahr, dass Sie das Gleichgewicht und die Kontrolle über die Kettensäge verlieren.
  - ◆ Beim Durchschneiden eines Astes, der unter Spannung steht, kann dieser zurückschnellen. Wenn die Spannung in den Holzfasern freigesetzt wird, kann der Ast den Bediener treffen und/oder gegen die Kettensäge schlagen und diese außer Kontrolle bringen.
  - ◆ Arbeiten Sie beim Sägen von Büschen und Jungbäumen mit größter Vorsicht. Es besteht die Gefahr, dass sich das nachgiebige Material in der Kette verfängt, in Ihre Richtung gedrückt wird und Sie aus dem Gleichgewicht bringt.
  - ◆ Tragen Sie die Kettensäge am vorderen Handgriff. Das Gerät muss ausgeschaltet sein und sollte den Körper nicht berühren. Bringen Sie den Kettenschutz an, bevor Sie das Gerät transportieren oder lagern. Durch einen sachgemäßen Umgang mit der Kettensäge verhindern Sie einen unabsichtlichen Kontakt mit der sich bewegenden Kette.
  - ◆ Befolgen Sie die Anweisungen zum Ölen und Spannen der Kette und zum Wechseln von Zubehörteilen. Bei einer unzureichend gespannten oder geölte Kette besteht Riss- und erhöhte Rückschlaggefahr.
  - ◆ Halten Sie die Griffe trocken, sauber und öl- und fettfrei. Schmierige, ölige Griffe sind rutschig. Dadurch ist die Kontrolle über das Gerät nicht mehr gewährleistet.
  - ◆ Schneiden Sie nur in Holz. Verwenden Sie die Kettensäge nicht zweckfremd. Schneiden Sie mit dem Gerät beispielsweise keinen Kunststoff, kein Mauerwerk und keine Baumaterialien, die nicht aus Holz sind. Der Gebrauch der Kettensäge für andere als die vorgesehenen Zwecke kann zu gefährlichen Situationen führen.
- ◆ Halten Sie alle Körperteile von der Kette fern, wenn das Gerät in Betrieb ist. Vergewissern Sie sich vor dem Starten der Kettensäge, dass die Kette keine



- ◆ Achten Sie darauf, dass sich das Kabel beim Sägen nicht in Ästen usw. verfangen kann.
- ◆ **Vorsicht:** Die Anschlagkrallen (16) können mit der Zeit scharf werden.
- ◆ **Vorsicht:** Das Führungsschwert kann sich beim Betrieb erhitzen.

### Ursachen für Rückschlag und Gegenmaßnahmen seitens des Bedieners

Rückschlag kann auftreten, wenn die Spitze des Führungsschwerts einen Gegenstand berührt, oder wenn Holz einknickt und die Kette im Schneidspalt einklemmt. Kontakt an der Spitze kann in einigen Fällen eine blitzschnelle Rückschlagwirkung erzeugen, die die Führungsschiene nach oben und zurück in Richtung Bediener schnellen lässt. Wenn die Kette an der Oberseite des Führungsschwerts eingeklemmt wird, kann dies das Schwert schnell nach hinten in Richtung Bediener drücken. Diese Reaktionen können zum Verlust der Kontrolle über die Kettensäge und damit zu schweren Verletzungen führen. Verlassen Sie sich nicht nur auf die Sicherheitsvorrichtungen der Kettensäge. Als Bediener einer Kettensäge müssen Sie verschiedene Vorkehrungen treffen, um Sägearbeiten ohne Unfälle und Verletzungen durchführen zu können. Ein Rückschlag ist das Resultat eines Missbrauchs und/oder einer falschen Bedienung der Kettensäge oder falscher Arbeitsbedingungen. Er kann durch die entsprechenden unten angegebenen Vorsichtsmaßnahmen vermieden werden.

- ◆ **Halten Sie die Säge mit den Daumen auf einer Seite und den Fingern auf der anderen Seite an den Griffen fest. Durch einen festen Griff mit beiden Händen, einen ausgestreckten linken Arm und einen stabilen Stand lässt sich das Zurückschlagen vermeiden.** Die Rückschlagkräfte können vom Bediener mittels entsprechender Vorsichtsmaßnahmen unter Kontrolle gehalten werden. Lassen Sie die Kettensäge nicht los.
- ◆ **Strecken Sie sich nicht zu weit nach vorne, und schneiden Sie nicht oberhalb der Schulterhöhe.** Dadurch vermeiden Sie einen versehentlichen Kontakt der Spitze, und die Kettensäge lässt sich in unerwarteten Situationen besser unter Kontrolle halten.
- ◆ **Als Ersatzteile dürfen nur die vom Hersteller bezeichneten Führungsschwerter und Ketten verwendet werden.** Bei Verwendung falscher Ersatzteile besteht die Gefahr eines Kettenrisses und/oder erhöhte Rückschlaggefahr.
- ◆ **Das Schärfen der Sägekette und sämtliche Wartungsarbeiten müssen gemäß den Anweisungen des Herstellers erfolgen.** Das Kürzen der Tiefenbegrenzer an der Kette kann zu einer erhöhten Rückschlaggefahr führen.
- ◆ Das Berühren von Metall, Mauerwerk oder anderen harten

Gegenständen in der Nähe oder innerhalb des Holzes kann einen Rückschlag verursachen.

- ◆ Stumpfe oder lose Ketten können einen Rückschlag verursachen.
- ◆ Führen Sie die Säge nicht in einen vorhandenen Schneidspalt ein, da hierdurch ein Rückschlag verursacht werden kann. Führen Sie stets einen neuen Schnitt durch.

### Empfehlungen für einen sicheren Umgang mit der Kettensäge

- ◆ Anfänger sollten sich unbedingt von einem erfahrenen Benutzer die sachgemäße Verwendung der Kettensäge und der Schutzausrüstung demonstrieren lassen. Es empfiehlt sich, zunächst das Sägen von Stückholz auf einem Sägebock zu üben. ◆ Vergewissern Sie sich stets vor dem Gebrauch der Kettensäge, dass die Rückschlagbremse ordnungsgemäß funktioniert.
- ◆ Beim Tragen der Kettensäge sollte die Kettenbremse im Eingriff sein und die Sägekette nach hinten weisen.
- ◆ Halten Sie die Kettensäge auch bei Nichtgebrauch in einem einwandfreien Betriebszustand. Nehmen Sie vor einer längeren Lagerung der Kettensäge die Kette und das Führungsschwert ab. Diese Teile sollten in Öl getaucht werden. Bewahren Sie sämtliche Teile der Kettensäge an einem trockenen, sicheren Ort außerhalb der Reichweite von Kindern auf.
- ◆ Der Ölbehälter sollte vor einer längeren Lagerung geleert werden.
- ◆ Achten Sie auf einen sicheren Stand, und planen Sie einen sicheren Fluchtweg vor dem fallenden Baum oder vor fallenden Ästen.
- ◆ Verwenden Sie beim Fällen eines Baums Keile, um die Fallrichtung zu beeinflussen und um zu verhindern, dass sich Kette und Führungsschwert im Schneidspalt verklemmen.
- ◆ Pflegen Sie die Sägekette. Halten Sie die Kette scharf und richtig gespannt. Stellen Sie sicher, dass Kette und Führungsschwert sauber und ausreichend geölt sind. Achten Sie darauf, dass die Griffe trocken, sauber sowie frei von Öl und Fett sind.

### Folgendes ist zu beachten:

- ◆ Sägen Sie kein vorbehandeltes Holz.
- ◆ Berühren Sie mit laufender Kette nicht den Boden.
- ◆ Schneiden Sie nicht in Drahtzäune, Nägel usw.

### Vibration

Die in den Abschnitten "Technische Daten" und "EG-Konformitätserklärung" angegebenen Werte für die Vibrationsemission wurden mit einer Standard-Prüfmethode nach EN 60745 ermittelt und können zum Vergleich verschiedener Geräte herangezogen werden. Außerdem kann

mit Hilfe dieses Werts die Belastung bei Verwendung des Geräts schon im Voraus eingeschätzt werden.

**Achtung!** Die bei Verwendung des Geräts auftretende Vibrationsemission hängt von der Art des Gerätegebrauchs ab und kann dementsprechend von dem angegebenen Wert abweichen. Gegebenenfalls kann die Vibration über dem angegebenen Wert liegen.

Mit Hilfe der ermittelten Werte der Vibrationsbelastung durch Elektrogeräte lassen sich Sicherheitsmaßnahmen festlegen, die gemäß 2002/44/EG zum Schutz von Personen bestimmt sind, die diese Geräte regelmäßig bei der Arbeit verwenden. Bei der Einschätzung der Vibrationsbelastung sollten die Gebrauchsumstände und die Art der Verwendung des Geräts sowie alle Schritte des Arbeitszyklus berücksichtigt werden, wozu Ruhe-, Leerlauf- und Startzeiten gehören.

## Elektrische Sicherheit



Dieses Gerät ist schutzisoliert, daher ist keine Erdleitung erforderlich. Überprüfen Sie stets, ob die Netzspannung der auf dem Typenschild des Geräts angegebenen Spannung entspricht.

- ◆ Ist das Netzkabel beschädigt, muss es durch den Hersteller oder eine Black & Decker Vertragswerkstatt ausgetauscht werden, um eine mögliche Gefährdung zu vermeiden.

## Verwenden eines Verlängerungskabels

- ◆ Verwenden Sie ausschließlich geprüfte Verlängerungskabel, die für die Leistungsaufnahme dieses Geräts ausgelegt sind (siehe "Technische Daten"). Das Verlängerungskabel muss für die Verwendung im Außenbereich geeignet und entsprechend markiert sein. Es kann ein HO7RN-F 2 X-1,5 mm<sup>2</sup>-Verlängerungskabel von einer Länge von bis zu 30 m verwendet werden, ohne dass die Leistung des Geräts beeinträchtigt wird. Prüfen Sie vor der Inbetriebnahme das Netzkabel auf Verschleiß und Beschädigungen. Wechseln Sie beschädigte oder fehlerhafte Verlängerungskabel aus. Beim Verwenden einer Kabeltrommel muss das Kabel stets vollständig abgewickelt sein.

## Schutz vor einem Stromschlag

- ◆ Vermeiden Sie eine Berührung des Körpers mit geerdeten Gegenständen (z. B. Metallgeländer, Laternenpfähle usw.). Die elektrische Sicherheit lässt sich durch Verwendung eines Fehlerstromschutzschalters (30 mA/30 ms) erhöhen.



**Achtung!** Die Verwendung eines Fehlerstromschutzschalters oder einer anderen Vorrichtung zur Unterbrechung der Stromversorgung befreit den Bediener der Kettensäge jedoch nicht von seiner Sorgfaltspflicht. Die im vorliegenden Handbuch enthaltenen Sicherheitshinweise und Anleitungen zum sicheren Umgang mit dem Gerät sind in jedem Fall zu beachten.

## Zusätzliche Sicherheitshinweise

- ◆ Dieses Gerät darf nicht von Personen (einschließlich Kindern) mit eingeschränkten körperlichen, sensorischen oder geistigen Fähigkeiten sowie mangelnder Erfahrung und Wissen in Bezug auf dessen Gebrauch bedient werden, es sei denn, sie werden bei der Verwendung des Geräts von einer erfahrenen Person beaufsichtigt oder angeleitet.
- ◆ Kinder müssen beaufsichtigt werden, um sicherzustellen, dass sie nicht mit dem Gerät spielen.
- ◆ Stellen Sie sicher, dass sich für den Fall eines Unfalls jemand in der Nähe befindet (jedoch in ausreichendem Sicherheitsabstand).
- ◆ Falls Sie die Kette aus irgendeinem Grund berühren müssen, vergewissern Sie sich, dass die Kettensäge vom Netz getrennt ist.
- ◆ Der Schallpegel dieses Gerätes kann 85 dB(A) überschreiten. Das Tragen eines Gehörschutzes wird daher empfohlen.

## Restrisiken.

Für den Gebrauch dieses Geräts verbleiben zusätzliche Restrisiken, die möglicherweise nicht in den Sicherheitswarnungen genannt werden. Diese Risiken bestehen beispielsweise bei Missbrauch oder längerem Gebrauch.

Auch bei der Einhaltung der entsprechenden Sicherheitsvorschriften und der Verwendung aller Sicherheitsgeräte bestehen weiterhin bestimmte Restrisiken. Diese werden im Folgenden aufgeführt:

- ◆ **Das Berühren von sich drehenden/bewegenden Teilen kann Verletzungen zur Folge haben.**
- ◆ **Der Austausch von Teilen, Messern oder Zubehör kann Verletzungen zur Folge haben.**
- ◆ **Der längere Gebrauch eines Geräts kann Verletzungen zur Folge haben. Legen Sie bei längeren Gebrauch regelmäßige Pausen ein.**
- ◆ **Beeinträchtigung des Gehörs.**
- ◆ **Gesundheitsrisiken durch das Einatmen von Staub beim Gebrauch des Geräts (Beispielsweise bei Holzarbeiten, insbesondere Eiche, Buche und Presspan).**

## Warnsymbole am Gerät

Am Gerät sind folgende Warnsymbole angebracht:



**Achtung!** Lesen Sie vor Gebrauch die Anleitung. Andernfalls besteht Verletzungsgefahr.



Tragen Sie stets einen Gehör- und Augenschutz.



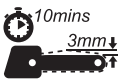
Schützen Sie das Gerät vor Feuchtigkeit und Regen.



Ziehen Sie immer den Stecker aus der Netzsteckdose, bevor Sie das Kabel auf Schäden überprüfen. Verwenden Sie die Kettensäge auf keinen Fall, wenn das Kabel beschädigt ist.



Garantierter Schalldruckpegel, gemessen nach Richtlinie 2000/14/EG.



Um ein kontinuierlich sicheres Arbeiten zu gewährleisten, kontrollieren Sie die Kettenspannung wie in diesem Handbuch beschrieben nach jeweils 10 Minuten Betrieb der Kettensäge. Stellen Sie die Kettenspannschraube ggf. wieder auf die vorgeschriebenen 3 mm Spiel ein

## Merkmale

1. Ein-/Ausschalter
2. Einschaltperre
3. Ölbehälterdeckel
4. Vordere Schutzvorrichtung/Kettenbremse
5. Ölpegelanzeiger
6. Kette
7. Führungsschwert
8. Kettenschutz
9. Regler
10. Kettenabdeckung

## Montage



**Achtung!** Tragen Sie stets Schutzhandschuhe, wenn Sie an der Kettensäge arbeiten.



**Achtung!** Schalten Sie Geräte vor der Durchführung von Wartungsarbeiten aus, und ziehen Sie den Netzstecker.

## Ölen der Kette

Diese Aufgabe ist durchzuführen, wenn eine neue Kette (6) zum ersten Mal verwendet wird. Nehmen Sie die neue Kette (6) aus ihrem Kunststoffbeutel, und legen Sie sie vor der Montage mindestens eine Stunde lang in Kettenöl. Verwenden Sie Black & Decker Kettenöl.

Wir empfehlen, während der gesamten Lebensdauer der Kette ausschließlich Black & Decker Öl zu verwenden, da das Mischen verschiedener Öle die Ölqualität mindern kann, was wiederum zu einer drastischen Verkürzung der Lebensdauer der Kette führen kann.

Verwenden Sie niemals gebrauchtes Öl, dickflüssiges Öl oder sehr dünnflüssiges Nähmaschinenöl.) Hierdurch kann die Kettensäge beschädigt werden.

## Anbringen des Führungsschwerts und der Kette (Abb. A - E)

- ◆ Stellen Sie die Kettensäge auf eine stabile Unterlage.
- ◆ Bewegen Sie die vordere Schutzvorrichtung/Kettenbremse in die vordere Stellung (Abb. D).
- ◆ Lösen Sie den Regler vollständig (9) (Abb. A).
- ◆ Entfernen Sie die Kettenabdeckung (10).
- ◆ Legen Sie die Kette (6) über das Führungsschwert (7). Die Sägezähne oben auf dem Führungsschwert (7) müssen in Kettenlaufrichtung zeigen (Abb. B).
- ◆ Führen Sie die Kette (6) so um das Führungsschwert (7), dass sich auf einer Seite am hinteren Ende des Schwerts (7) eine Schlaufe bildet.
- ◆ Legen Sie die Kette (6) um das Kettenrad (12). Montieren Sie das Führungsschwert (7) an den entsprechenden Führungsbolzen (13) (Abb. E)

**Achtung!** Vergewissern Sie sich vor dem Zusammenbau, dass sich die vordere Schutzvorrichtung/Kettenbremse (4) in der vorderen Stellung befindet (Abb. C).

- ◆ Überprüfen Sie vor dem Anbringen der Kettenabdeckung, dass sich die Nocke (11) (Abb. B) in der richtigen Stellung befindet. Drücken Sie ggf. den Regler (9), und drehen Sie die Nocke im Uhrzeigersinn in die richtige Stellung.
- ◆ Bringen Sie die Kettenabdeckung an, und ziehen Sie diese mithilfe des Reglers (9) handfest an..
- ◆ Lösen Sie den Regler um eine volle Umdrehung, drücken Sie diesen kräftig, und drehen Sie den Regler im Uhrzeigersinn, um die Kette zu spannen. Stellen Sie bei der Vorwärtsbewegung der Kette sicher, dass die Kettenglieder ordnungsgemäß am Führungsschwert anliegen.

- ◆ Lassen Sie den Regler in die äußere Stellung zurückschnappen, und drehen Sie diesen weiter im Uhrzeigersinn, um die Kette zu spannen. Spannen Sie die Kette nicht zu stark. .
- ◆ Prüfen Sie die Kettenspannung wie im Folgenden beschrieben. )

## Prüfen und Einstellen der Kettenspannung (Abb. G)

Die Kettenspannung muss vor jeder Verwendung der Kettensäge und nach jeweils 10 Minuten Betrieb geprüft werden.

- ◆ Ziehen Sie den Netzstecker aus der Steckdose.
- ◆ Ziehen Sie wie gezeigt leicht an der Kette (6) (Detailbild in Abb. G). Die Kette (6) ist richtig gespannt, wenn sie sich ca. 3 mm vom Führungsschwert (7) abheben lässt. Die Kette (6) muss ohne durchzuhängen an der Unterseite des Führungsschwerts (7) anliegen.

**Hinweis:** Überspannen Sie die Kette nicht. Dies würde den Verschleiß erhöhen und die Lebensdauer von Führungsschwert und Kette verkürzen.

**Hinweis:** Ist die Kette neu, überprüfen Sie die Spannung während der ersten 2 Betriebsstunden häufiger (nach dem Trennen vom Netz), da sich eine neue Kette etwas dehnt.

## So erhöhen Sie die Spannung

- ◆ Lösen Sie den Regler um eine volle Umdrehung, drücken Sie diesen kräftig, und drehen Sie den Regler im Uhrzeigersinn, bis die gewünschte Spannung erreicht ist. Stellen Sie bei der Vorwärtsbewegung der Kette sicher, dass die Kettenglieder ordnungsgemäß am Führungsschwert anliegen.
- ◆ Lassen Sie den Regler in die äußere Stellung zurückschnappen, und drehen Sie diesen weiter im Uhrzeigersinn, um die Kette zu spannen. Spannen Sie die Kette nicht zu stark.

## Gebrauch

**Achtung!** Beschleunigen Sie den Arbeitsvorgang nicht mit Gewalt. Vermeiden Sie eine Überlastung des Geräts.

## Füllen des Ölbehälters (Abb. F)

- ◆ Nehmen Sie den Ölbehälterdeckel (3) ab, und füllen Sie den Behälter mit dem empfohlenen Kettenöl. Der Ölpegel ist in der Ölpegelanzeige (5) zu sehen. Bringen Sie den Ölbehälterdeckel (3) wieder an.
- ◆ Schalten Sie das Gerät regelmäßig aus, und überprüfen Sie den Ölpegel in der Anzeige (5). Sobald der Ölpegel ein Viertel der Füllmenge unterschreitet, trennen Sie die Kettensäge vom Netz, und füllen Sie das richtige Öl nach.

## Einschalten

**Hinweis:** Wenn sich die vordere Schutzvorrichtung/

Kettenbremse nicht in Laufstellung befindet, kann das Gerät nicht eingeschaltet werden.

- ◆ Halten Sie die Kettensäge mit beiden Händen fest. Drücken Sie die Einschaltsperrle (2), und anschließend den Ein-/Ausschalter (1), um das Gerät einzuschalten.
- ◆ Sobald der Motor startet, nehmen Sie den Daumen von der Einschaltsperrle (2), und halten Sie den Handgriff sicher fest.

Überlasten Sie das Gerät nicht. Beschleunigen Sie den Arbeitsvorgang nicht mit Gewalt. Das Gerät funktioniert sicherer und liefert bessere Ergebnisse, wenn Sie es mit seiner konstruktionsbedingten Geschwindigkeit arbeiten lassen. Wenn Sie zuviel Druck ausüben, dehnt sich Kette (6).

## Einstellen der Kettenbremse (Abb. C)

- ◆ Vergewissern Sie sich, dass die Kettensäge vom Stromnetz getrennt ist.
- ◆ Ziehen Sie die vordere Schutzvorrichtung/Kettenbremse (4) zurück in die Laufstellung (Abb. C).
- ◆ Das Gerät ist nun betriebsbereit.

## Funktionsweise der Anti-Rückschlag-Kettenbremse

Im Fall eines Rückschlags berührt Ihre linke Hand die vordere Schutzvorrichtung (Handschutz) und schiebt diese nach vorne in Richtung des Werkstücks. Das Gerät wird dann innerhalb von Sekundenbruchteilen angehalten.

## Testen der Anti-Rückschlag-Kettenbremse (Abb. C)

- ◆ Vergewissern Sie sich stets vor dem Gebrauch der Kettensäge, dass die Rückschlagbremse ordnungsgemäß funktioniert.
- ◆ Stellen Sie das Gerät auf eine stabile Unterlage, halten Sie es mit beiden Händen fest, stellen Sie sicher, dass die Kette (6) nicht den Boden berührt, und schalten Sie das Gerät ein (siehe "Einschalten der Kettensäge").
- ◆ Drehen Sie die linke Hand nach vorne um den vorderen Handgriff, sodass der Handrücken die vordere Schutzvorrichtung/Kettenbremse (4) berührt und nach vorne in Richtung des Werkstücks schiebt (Abb. C). Die Kette (6) muss nun innerhalb eines Bruchteils einer Sekunde anhalten.

Befolgen Sie die Anweisungen unter "Einstellen der Kettenbremse", um die vordere Schutzabdeckung/Kettenbremse (4) nach dem Betrieb zurück in die ursprüngliche Stellung zu bringen.

**Hinweis:** Vermeiden Sie das erneute Einschalten des Geräts, solange der Motor noch nicht vollkommen zum Stillstand gekommen ist.

**Hinweis:** Lassen Sie das Produkt in einem Black & Decker Vertragswerkstatt reparieren, wenn die Kettenbremse nicht ordnungsgemäß funktioniert.

## Falls die Kette (6) oder das Führungsschwert (7) festklemmt:

- ◆ Schalten Sie das Gerät aus.
- ◆ Ziehen Sie den Netzstecker aus der Steckdose.
- ◆ Erweitern Sie den Schneidspalt mit Keilen, um den Druck auf das Führungsschwert (7) zu beseitigen. Versuchen Sie nicht, die Säge freizuhebeln.
- ◆ Beginnen Sie an anderer Stelle einen neuen Schnitt.

## Fällen (Abb. H - J)

Fällarbeiten sollten nur von erfahrenen Benutzern durchgeführt werden. Wenn der Baum in die falsche Richtung fällt oder splittert, oder wenn beschädigte/abgestorbene Äste herabfallen, kann dies Sach- und Personenschäden zur Folge haben.

Der Sicherheitsabstand zwischen dem zu fallenden Baum und Personen, Gebäuden oder anderen Gegenständen muss mindestens das 2 1/2-fache der Baumhöhe betragen. Personen, Gebäude oder Gegenstände innerhalb dieser Entfernung laufen Gefahr, vom gefällten Baum getroffen zu werden.

### Vor dem Fällen eines Baums ist Folgendes zu beachten:

- ◆ Vergewissern Sie sich, dass das Fällen des Baums nicht durch lokale Verordnungen oder Gesetze eingeschränkt oder untersagt wird.
- ◆ Berücksichtigen Sie dabei alle Faktoren, die die Fallrichtung beeinflussen können:
  - gewünschte Fallrichtung
  - wuchsbedingte Neigung des Baums
  - Morschheit oder außergewöhnlich schwere Holzstruktur
  - Bäume und Hindernisse in der Umgebung (Stromleitungen, unterirdisch verlegte Leitungen usw.)
  - Windgeschwindigkeit und Windrichtung

Planen Sie einen sicheren Fluchtweg vor fallenden Bäumen oder Ästen. Vergewissern Sie sich, dass der Fluchtweg frei von Hindernissen ist, die die Flucht behindern könnten.

Berücksichtigen Sie, dass feuchtes Gras und frisch geschnittene Baumrinde rutschig sind.

- ◆ Versuchen Sie nicht, einen Baum zu fällen, dessen Durchmesser die Schnittlänge der Kettensäge überschreitet.
- ◆ Sägen Sie auf der Seite der Fallrichtung eine Kerbe in den Stamm.
- ◆ Sägen Sie hierfür zunächst am Fuß des Stamms einen horizontalen Schnitt, der 1/5 bis 1/3 des Stammdurchmessers beträgt (Abb. H).
- ◆ Sägen Sie darüber in einem Winkel von etwa 45° den zweiten Schnitt bis zur horizontalen Kerblinie.
- ◆ Sägen Sie auf der anderen Seite des Baums etwa 25 bis 50 mm über der horizontalen Kerblinie den horizontalen Fällschnitt. (Abb. I). Schneiden Sie nicht bis zur Kerbe

durch. Andernfalls besteht die Gefahr, dass der Baum nicht in die gewünschte Richtung fällt.

- ◆ Treiben Sie einen oder mehrere Keile in den Fällschnitt, um den gerichteten Fall des Baums zu unterstützen (Abb. J).

## Schneiden von Ästen

Vergewissern Sie sich, dass das Bescheiden von Ästen nicht durch lokale Verordnungen oder Gesetze eingeschränkt oder untersagt wird. Das Schneiden von Ästen sollte nur von erfahrenen Personen durchgeführt werden, da das Risiko eines Rückschlags oder des Einklemmens relativ hoch ist.

### Berücksichtigen Sie vor Beginn der Arbeit alle Faktoren, die die Fallrichtung beeinflussen könnten. Hierzu gehören:

- ◆ die Länge und das Gewicht des zu schneidenden Astes
- ◆ Morschheit oder außergewöhnlich schwere Holzstruktur
- ◆ Bäume und Hindernisse in der Umgebung (z. B. Stromleitungen)
- ◆ Windgeschwindigkeit und Windrichtung
- ◆ die Verflechtung mit anderen Ästen

Achten Sie auf einen guten Zugang zum Ast, und berücksichtigen Sie die Fallrichtung. Äste haben die Tendenz, zum Baumstamm zu schwingen. Gefährdet sind neben dem Bediener der Kettensäge alle Personen und Gegenstände unterhalb des Astes.

- ◆ Um ein Splittern zu verhindern, wird der Ast zunächst bis zu einem Drittel seines Durchmessers von unten eingesägt.
- ◆ Danach erfolgt ein Schnitt von oben, bis der Ast durchtrennt ist.

## Sägen von Brennholz (Abb. K - M)

Wie der Schnitt ausgeführt werden sollte, hängt davon ab, wie das Holzstück gestützt wird.

Verwenden Sie nach Möglichkeit einen Sägebock. Beginnen Sie einen Schnitt immer mit laufender Kette und den Anschlagkrallen (16) am Holz (Abb. K). Führen Sie den Schnitt dann in einer Kippbewegung nach unten durch das Holzstück.

### Holz ist entlang der gesamten Länge abgestützt:

- ◆ Führen Sie einen Abwärtsschnitt durch. Achten Sie darauf, dass die Kette nicht mit dem Boden in Berührung kommt, da sie hierdurch schnell stumpf wird.

## Holz ist an beiden Enden abgestützt:

- ◆ Schneiden Sie zunächst ein Drittel nach unten, um ein Splintern zu verhindern. Schneiden Sie dann von unten nach oben in Richtung des ersten Schneidspalts.

## Holz ist an einem Ende abgestützt:

- ◆ Schneiden Sie zunächst ein Drittel nach oben, und anschließend nach unten, um ein Splintern zu verhindern.

## Bei Sägearbeiten an einem Hang (Abb. L):

- ◆ Stehen Sie immer auf der Bergseite.

## Beim Sägen eines auf dem Boden liegenden Holzstücks (Abb. L):

- ◆ Sichern Sie das Holzstück mit Hilfe von Klötzen oder Keilen. Weder der Bediener noch eine andere Person dürfen das zu schneidende Holzstück fixieren, indem sie sich darauf setzen oder stellen. Achten Sie darauf, dass die Kette nicht den Boden berührt.

## Bei Verwendung eines Sägebocks (Abb. M):

Die Verwendung eines Sägebocks wird dringend empfohlen.

- ◆ Bringen Sie das zu schneidende Holzstück in eine stabile Position. Schneiden Sie immer außerhalb der Sägebockenden. Benutzen Sie gegebenenfalls eine Spannvorrichtung, um das Holzstück zu fixieren.

## Problembhebung

Problem	Mögliche Ursache	Mögliche Lösung
Das Gerät startet nicht.	Die Verriegelung ist nicht gedrückt.	Drücken Sie die Verriegelung.
	Die vordere Schutzvorrichtung befindet sich in der Bremsstellung.	Stellen die die vordere Schutzvorrichtung ein.
	Defekte Sicherung	Ersetzen Sie die Sicherung.
	Aktivierter Fehlerstromschutzschalter	Überprüfen Sie den Fehlerstromschutzschalter.
	Netzkabel nicht verbunden	Überprüfen Sie die den Netzanschluss.
Kette kommt beim Ausschalten des Geräts nicht sofort zum Stillstand	Kettenspannung zu niedrig	Prüfen Sie die Kettenspannung.

Problem	Mögliche Ursache	Mögliche Lösung
Führung/Kette heiß/rauchen	Öltank leer	Überprüfen Sie den Füllstand des Tanks.
	Ölöffnung am Führungsschwert verstopft	Reinigen Sie die Ölöffnung.
	Kettenspannung zu hoch	Prüfen Sie die Kettenspannung.
	Kettenradnase am Führungsschwert muss geschmiert werden	Ölen Sie die Kettenradnase.
Schnittleistung der Kettensäge niedrig	Kette läuft rückwärts	Prüfen/ändern Sie die Laufrichtung der Kette.
		Schärfen
Kettensäge verbraucht kein Öl	Tank verschmutzt	Ersetzen Sie das Öl im Tank.
	Ölöffnung im Deckel verstopft	Reinigen Sie die Öffnung.
	Führungsschwert verschmutzt	Entfernen Sie Verschmutzungen vom Führungsschwert und reinigen Sie dieses.
	Öllass verschmutzt	Entfernen Sie die Verschmutzung.

## Wartung

Eine regelmäßige Wartung stellt eine lange Lebensdauer des Gerätes sicher. Wir empfehlen, folgende Kontrollen regelmäßig durchzuführen.

**Achtung!** Vor Wartungs- oder Reinigungsarbeiten am Gerät:

- ◆ Schalten Sie das Gerät aus, und ziehen Sie den Netzstecker aus der Steckdose.

## Ölpegel

Der Pegel im Behälter darf eine Viertelfüllung nicht unterschreiten.

## Sägekette und Führungsschwert (Abb. G)

- ◆ Nehmen Sie nach einigen Stunden Gebrauch und vor dem Lagern das Führungsschwert (7) und die Kette (6) ab, und reinigen Sie die Teile gründlich.
- ◆ Stellen Sie sicher, dass der Kettenschutz sauber und frei von Ablagerungen ist.

- ◆ Beim Wiederzusammenbau muss das Führungsschwert (7) um 180° gedreht und die Kettenradnase durch die Kettenrad-Schmieröffnung (17) geschmiert werden. Dadurch ist eine gleichmäßige Abnutzung entlang der Führungsschwertschiene gewährleistet.

### Schärfen der Sägekette

Um eine optimale Schneidleistung zu erhalten, muss die Sägekette regelmäßig geschärft werden. Anleitungen hierzu finden Sie auf der Verpackung des Schärfers. Wir empfehlen den Kauf des Black & Decker Kettenschärfersatzes (bei Ihrer Black & Decker Vertretung und im Fachhandel erhältlich).

### Erneuern einer verschlissenen Kette

Austauschketten sind über den Fachhandel oder bei einer Black & Decker Vertretung erhältlich. Verwenden Sie ausschließlich Originalersatzteile.

### Schärfe der Sägekette

Die Zähne der Kette werden sofort stumpf, wenn sie beim Sägen den Boden oder einen Nagel berühren.

### Kettenspannung

Überprüfen Sie regelmäßig die Spannung der Kette.

### Was ist zu tun, wenn die Kettensäge repariert werden muss?

Ihre Kettensäge erfüllt alle einschlägigen Sicherheitsbestimmungen. Reparaturen sind nur von autorisierten Fachkräften und mit Originalersatzteilen vorzunehmen. Andernfalls besteht Unfall- und Verletzungsgefahr. Bewahren Sie diese Anleitung an einem sicheren Ort auf.

### Umweltschutz



Getrennte Entsorgung. Dieses Produkt darf keinesfalls mit dem Hausmüll entsorgt werden.

Sollten Sie Ihr Black & Decker Produkt eines Tages ersetzen oder nicht mehr benötigen, entsorgen Sie es nicht mit dem Hausmüll. Führen Sie das Produkt einer getrennten Sammlung zu.



Durch die getrennte Sammlung von ausgedienten Produkten und Verpackungsmaterialien können Rohstoffe recycelt und wiederverwendet werden. Die Wiederverwendung aufbereiteter Materialien trägt zur Vermeidung der Umweltverschmutzung bei und senkt den Rohstoffbedarf.

Die Verordnung zur Abfallentsorgung Ihrer Gemeinde sieht möglicherweise vor, dass Elektrogeräte getrennt vom Hausmüll gesammelt, an der örtlichen Abfallentsorgungseinrichtung abgegeben oder beim Kauf eines neuen Produkts vom Fachhandel zur Entsorgung angenommen werden müssen.

Black & Decker nimmt Ihre ausgedienten Black & Decker Geräte gern zurück und sorgt für eine umweltfreundliche Entsorgung bzw. Wiederverwertung. Um diese Dienstleistung in Anspruch zu nehmen, geben Sie das Gerät bitte bei einer autorisierten Reparaturwerkstatt ab, die für uns die Einsammlung übernimmt.

Die Adresse der zuständigen Niederlassung von Black & Decker steht in dieser Anleitung. Dort teilt man Ihnen gerne die nächstgelegene Vertragswerkstatt mit. Außerdem ist eine Liste der Vertragswerkstätten und aller Kundendienststellen von Black & Decker sowie der zuständigen Ansprechpartner im Internet zu finden unter: [www.2helpU.com](http://www.2helpU.com)

### Technische Daten

	GK1630T	GK1635T
	Typ. 5	Typ. 5
Länge des Führungsschwerts	cm 30	35
Spannung	V <sub>AC</sub> 230	230
Leistungsaufnahme	W 1600	1600
Kettengeschwindigkeit (Leerlauf) m/s	8	8
Max. Schnittlänge	cm 30	35
Ölfüllmenge	ml 180	180
Gewicht	kg 3.7	3.8
Schutzklasse	II	II

	GK1640T
	Typ. 5
Länge des Führungsschwerts	cm 40
Voltage	V <sub>AC</sub> 230
Leistungsaufnahme	W 1600
Kettengeschwindigkeit (Leerlauf) m/s	8
Max. Schnittlänge	cm 40
Ölfüllmenge	ml 180
Gewicht	kg 3.9
Schutzklasse	II



Schalldruckpegel gemäß EN 60745:

Schalldruck ( $L_{pM}$ ) 92 dB(A), Unsicherheitsfaktor (K) 3 dB(A)

Schalleistung ( $L_{WA}$ ) 103 dB(A), Unsicherheitsfaktor (K) 3 dB(A)

Gesamtvibration (Triax-Vektorsumme) gemäß EN 60745:

Vibrationsemissionswert ( $a_{gav}$ ) 5 m/s<sup>2</sup> Unsicherheitsfaktor (K) = 1,5 m/s<sup>2</sup>

EG-Konformitätserklärung

MASCHINENRICHTLINIE  
AUSSENLAUTSTÄRKERICHTLINIE



GK1630T, GK1635T, GK1640T

Black & Decker erklärt, dass diese unter "Technische Daten" beschriebenen Geräte übereinstimmen mit:  
98/37/EG (bis zum 28. Dez. 2009), 2006/42/EG (ab dem 29. Dez. 2009), EN 60745-1, EN 60745-2-13

2000/14/EG, Kettensäge, Anhang V  
KEMA Quality B.V., Utrechtseweg 310, 6802 ED Arnhem, The Netherlands  
Gemeldet unter ID Nr.: 0344

Schallpegel gemäß 2000/14/EG (Artikel 13, Anhang III):  
 $L_{WA}$  (gemessene Schalleistung) 103 dB(A)  
Unsicherheitsfaktor = 3 dB(A)  
 $L_{WA}$  (garantierte Schalleistung) 103 dB(A)  
Unsicherheitsfaktor = 3 dB(A)

Diese Produkte entsprechen außerdem der Richtlinie 2004/108/EG. Weitere Informationen erhalten Sie von Black & Decker unter der folgenden Adresse. Diese befindet sich auch auf der Rückseite dieser Anleitung.

Der Unterzeichnete ist verantwortlich für die Zusammenstellung der technischen Daten und gibt diese Erklärung im Namen von Black & Decker ab.

Kevin Hewitt  
Vice-President Global Engineering  
Black & Decker Europe, 210 Bath Road, Slough,  
Berkshire, SL1 3YD  
Großbritannien  
01-12-2009

Garantie

Black & Decker vertraut auf die Qualität der eigenen Geräte und bietet dem Käufer eine außergewöhnliche Garantie. Diese Garantiezusage versteht sich unbeschadet der gesetzlichen Gewährleistungsansprüche und schränkt diese keinesfalls ein. Sie gilt in sämtlichen Mitgliedstaaten der Europäischen Union und der Europäischen Freihandelszone EFTA.

Tritt innerhalb von 24 Monaten ab Kaufdatum an einem Gerät von Black & Decker ein auf Material- oder Verarbeitungsfehler zurückzuführender Mangel auf, garantiert Black & Decker den Austausch defekter Teile, die Reparatur von Geräten mit üblichem Verschleiß bzw. den Austausch eines mangelhaften Gerätes, ohne den Kunden dabei mehr als unbedingt nötig in Anspruch zu nehmen, allerdings vorbehaltlich folgender Ausnahmen:

- ◆ wenn das Gerät gewerblich, beruflich oder im Verleihgeschäft benutzt wurde;
- ◆ wenn das Gerät missbräuchlich verwendet oder mit mangelnder Sorgfalt behandelt wurde;
- ◆ wenn das Gerät durch irgendwelche Fremdeinwirkung beschädigt wurde;
- ◆ wenn ein unbefugter Reparaturversuch durch anderes Personal als das einer Vertragswerkstatt oder des Black & Decker Kundendienstes unternommen wurde.

Zur Inanspruchnahme dieser Garantie ist dem Verkäufer bzw. der Vertragswerkstatt ein Kaufnachweis vorzulegen. Die Adresse der zuständigen Niederlassung von Black & Decker steht in dieser Anleitung. Dort teilt man Ihnen gerne die nächstgelegene Vertragswerkstatt mit. Außerdem ist eine Liste der Vertragswerkstätten und aller Kundendienststellen von Black & Decker sowie der zuständigen Ansprechpartner im Internet zu finden unter: [www.2helpU.com](http://www.2helpU.com)

Bitte besuchen Sie unsere Webseite [www.blackanddecker.co.uk](http://www.blackanddecker.co.uk), um Ihr neues Black & Decker Produkt zu registrieren und sich über neue Produkte und Sonderangebote zu informieren. Weitere Informationen über die Marke Black & Decker und unsere Produkte finden Sie unter [www.blackanddecker.co.uk](http://www.blackanddecker.co.uk)



## Utilisation

Votre tronçonneuse Black & Decker est conçue pour l'élagage et l'abattage des arbres, ainsi que pour la coupe de bûches. Cet outil est destiné à une utilisation exclusivement domestique.

## Consignes de sécurité

### Consignes de sécurité concernant les outils électroportatifs



**Attention !** Lisez avec attention tous les avertissements et toutes les instructions. Le non-respect de cette consigne peut entraîner une électrocution, un incendie et/ou de graves blessures.

Conservez tous les avertissements et instructions pour référence ultérieure. La notion d'« outil électroportatif » mentionnée par la suite se rapporte à des outils électriques raccordés au secteur (avec câble de raccordement) ou fonctionnant avec piles (sans fil).

#### 1. Sécurité de la zone de travail

- a. **Maintenez la zone de travail propre et bien éclairée.** Un lieu de travail en désordre ou mal éclairé augmente le risque d'accidents.
- b. **N'utilisez pas les outils électroportatifs dans un environnement présentant des risques d'explosion, ni en présence de liquides, gaz ou poussières inflammables.** Les outils électroportatifs génèrent des étincelles risquant d'enflammer les poussières ou les vapeurs.
- c. **Demandez aux enfants et autres personnes de rester éloignés pendant l'utilisation des outils électroportatifs.** En cas d'inattention, vous risquez de perdre le contrôle.

#### 2. Sécurité électrique

- a. **La prise de l'outil électroportatif doit s'adapter à la prise de courant. Ne modifiez en aucun cas la prise.** N'utilisez pas de prises d'adaptateur avec des appareils ayant une prise de terre. Le respect de ces consignes réduit le risque de choc électrique.
- b. **Évitez le contact physique avec des surfaces mises à la terre telles que tuyaux, radiateurs, fours et réfrigérateurs.** Il y a un risque élevé de choc électrique si votre corps est relié à la terre.
- c. **N'exposez pas l'outil électroportatif à la pluie, ni à l'humidité.** La pénétration d'eau dans un outil électroportatif augmente le risque de choc électrique.
- d. **Préservez le câble d'alimentation. N'utilisez pas le**

**câble pour porter l'outil, pour l'accrocher. Ne le tirez pas pour le débrancher. Maintenez le câble éloigné des sources de chaleurs, des parties huilées, des bords tranchants ou des parties de l'appareil en rotation.** Le risque de choc électrique augmente si les câbles sont endommagés ou emmêlés.

- e. **Si vous utilisez l'outil électroportatif à l'extérieur, utilisez une rallonge homologuée en conséquence.** L'utilisation d'une rallonge électrique homologuée pour les travaux à l'extérieur réduit le risque de choc électrique.
  - f. **Si l'outil doit être utilisé dans un endroit humide, prenez les précautions nécessaires en utilisant un dispositif de courant résiduel (RCD).** L'utilisation d'un tel dispositif réduit les risques d'électrocution.
- ### 3. Sécurité personnelle
- a. **Restez vigilant, surveillez ce que vous faites. Faites preuve de bon sens quand vous utilisez un outil électroportatif. N'utilisez pas l'outil lorsque vous êtes fatigué ou après avoir consommé de l'alcool ainsi que des médicaments.** Un moment d'inattention lors de l'utilisation de l'outil peut entraîner de graves blessures.
  - b. **Portez un équipement de protection. Portez toujours des lunettes de protection.** Selon le travail à effectuer, le port d'équipement de protection tels que masque anti-poussières, chaussures de sécurité antidérapantes, casque ou protection auditive, réduit le risque de blessures.
  - c. **Évitez un démarrage imprévu. L'outil doit être en position OFF (arrêt) avant d'effectuer le branchement à l'alimentation et/ou au bloc-batterie, de le ramasser ou de le porter.** Ne laissez pas votre doigt sur le bouton de commande en le transportant. N'alimentez pas l'outil si le bouton est activé. Ceci pourrait être à l'origine d'accident.
  - d. **Retirez les outils ou clés de réglage avant de mettre l'outil en marche.** Une clé ou un outil se trouvant sur une pièce en rotation peut causer des blessures.
  - e. **Installez-vous confortablement. Adoptez une position stable et gardez votre équilibre en permanence.** Vous contrôlerez mieux l'outil dans des situations inattendues.
  - f. **Portez des vêtements appropriés. Ne portez pas de vêtements amples ou de bijoux. N'approchez pas les cheveux, vêtements ou gants des parties des pièces mobiles.** Les vêtements amples, les bijoux ou les cheveux longs peuvent s'accrocher dans les pièces en mouvement.
  - g. **En cas d'utilisation d'appareils servant à aspirer ou à recueillir les poussières, raccordez et utilisez ces derniers de manière appropriée.** L'utilisation de tels dispositifs réduit les dangers dus aux poussières.

## 4. Utilisation des outils électroportatifs et précautions

- a. **Respectez la capacité de l'outil. Utilisez l'outil électroportatif correspondant au travail à effectuer.**  
Avec un outil approprié, vous travaillerez mieux et en toute sécurité.
- b. **N'utilisez pas l'outil électroportatif si le bouton marche/arrêt est défectueux.** Un outil électroportatif qui ne peut plus être mis en marche/arrêt présente un danger et doit être réparé.
- c. **Retirez la prise de courant et/ou débranchez le bloc-batterie avant d'effectuer des réglages, de changer les accessoires ou de ranger l'outil.** Cette mesure de précaution empêche de mettre l'outil en marche accidentellement.
- d. **Rangez les outils électroportatifs hors de portée des enfants. Les personnes ne connaissant pas l'outil ou n'ayant pas lu ces instructions ne doivent en aucun cas l'utiliser.** Les outils électroportatifs sont dangereux lorsqu'ils sont utilisés par des personnes non initiées.
- e. **Prenez soin des outils électroportatifs. Vérifiez que les parties en mouvement fonctionnent correctement et qu'elles ne sont pas coincées. Vérifiez qu'il n'y a pas de pièces cassées ou endommagées susceptibles de nuire au bon fonctionnement de l'outil. S'il est endommagé, faites réparer l'outil avant de l'utiliser.** De nombreux accidents sont dus à des outils électroportatifs mal entretenus.
- f. **Maintenez les outils de coupe aiguisés et propres.** Des outils soigneusement entretenus avec des bords tranchants bien aiguisés se coincent moins souvent et peuvent être guidés plus facilement.
- g. **Utilisez les outils électroportatifs, les accessoires, etc. en suivant ces instructions et en tenant compte des conditions de travail, ainsi que du travail à effectuer.** L'utilisation des outils électroportatifs à d'autres fins que celles prévues peut vous mettre en situation dangereuse.

## 5. Réparations

- a. **Faites réparer votre outil électroportatif uniquement par du personnel qualifié et seulement avec des pièces de rechange appropriées.** Cela garantira le maintien de la sécurité de votre outil.

## Consignes de sécurité supplémentaires concernant les outils électroportatifs



Attention ! Consignes de sécurité supplémentaires pour tronçonneuses.

- ◆ **chaîne.** En cas d'inattention pendant le fonctionnement de la tronçonneuse, la chaîne peut attraper vos vêtements ou se trouver en contact avec une partie de votre corps.
- ◆ **Maintenez toujours la tronçonneuse avec la main droite sur la poignée arrière et la main gauche sur la poignée avant.** Il ne faut en aucun cas inverser les mains pour maintenir la tronçonneuse. Ceci pourrait provoquer des blessures.
- ◆ **Portez des lunettes de sécurité et un serre-tête antibruit. Un équipement de protection de la tête, des mains, des jambes et des pieds est aussi recommandé.** Des vêtements de protection appropriés permettront de réduire les blessures éventuelles dues à des projections ou à un contact accidentel avec la chaîne.
- ◆ **N'utilisez pas la tronçonneuse dans un arbre.** Le non respect de cette consigne est susceptible de provoquer des blessures.
- ◆ **Adoptez toujours une position stable et ne faites fonctionner la tronçonneuse que si vous vous trouvez sur une surface fiable, ferme et de niveau.** Les surfaces glissantes et non stables, comme des échelles, peuvent provoquer une perte d'équilibre ou de contrôle de la tronçonneuse.
- ◆ **Lorsque vous coupez une branche maîtresse cintrée, prenez garde au redressement.** Lorsque le bois se décentre, la branche peut frapper l'opérateur et/ou lui faire perdre le contrôle de la tronçonneuse.
- ◆ **Soyez extrêmement prudent pour la coupe de jeunes arbres et de bosquets.** Les tiges pourraient s'accrocher dans la chaîne et être éjectées vers vous ou vous faire perdre l'équilibre.
- ◆ **Portez la tronçonneuse par la poignée avant avec l'interrupteur marche/arrêt en position Off. Tenez-la éloignée de l'ensemble de votre corps.** Pendant le transport ou le rangement de la tronçonneuse, installez toujours le cache du guide-chaîne. Une manipulation appropriée de la tronçonneuse réduira les risques de contacts accidentels quand la chaîne tourne.
- ◆ **Suivez les instructions pour le graissage, la tension de la chaîne et le changement des accessoires.** Une chaîne mal tendue ou mal graissée peut soit se casser, soit provoquer un retour de chaîne.
- ◆ **Veillez à ce que les poignées soient sèches et propres, sans trace d'huile ou de graisse.** Les poignées graisseuses peuvent provoquer une perte de contrôle.
- ◆ **Ne coupez que du bois. N'utilisez la tronçonneuse que pour les travaux auxquels elle est destinée.** Par exemple : n'utilisez pas la tronçonneuse pour couper le plastique, la pierre ou des matériaux de construction différents du bois. L'utilisation de la tronçonneuse à d'autres fins que celles prévues peut entraîner des situations dangereuses.

- ◆ Installez correctement le câble d'alimentation pour **éviter qu'il s'accroche dans les branches ou autres** pendant la coupe.
- ◆ La butée (16) peut à la longue devenir pointue. À manipuler avec précaution.
- ◆ En manipulant l'appareil, le guide-chaîne peut devenir **très chaud. Prenez toutes les précautions** nécessaires.

#### Causes et prévention de retour de chaîne

Un retour de chaîne peut se produire quand l'extrémité du guide-chaîne touche un objet ou quand du bois se coince et bloque la chaîne dans l'entaille.

Dans certains cas, toucher l'extrémité peut provoquer une réaction soudaine, soulevant le guide-chaîne et se retourner vers l'utilisateur.

Si la chaîne se trouve coincée en haut du guide-chaîne, le guide peut se retourner rapidement vers l'utilisateur.

Ce genre de réaction risque de vous faire perdre le contrôle de la tronçonneuse et provoquer de graves blessures. Ne vous fiez pas uniquement aux dispositifs de sécurité de votre tronçonneuse. En temps qu'utilisateur, vous devez prendre les mesures nécessaires pour que les travaux de coupe soient le plus fiables possible.

L'effet de retour est le résultat d'une utilisation et/ou de procédures ou de conditions de fonctionnement inappropriées. Ceci peut être évité en appliquant les précautions adéquates, décrites ci-dessous :

- ◆ **Maintenez fermement la tronçonneuse en serrant les poignées avec vos mains. Avec les deux mains sur la tronçonneuse, placez votre corps et votre bras de manière à pouvoir résister à la puissance d'un retour de chaîne.** La puissance d'un retour de chaîne peut être contrôlée par l'utilisateur si les précautions nécessaires sont prises. Ne relâchez pas la tronçonneuse.
- ◆ **Adoptez une position confortable et ne coupez pas au-dessus de la hauteur de votre épaule.** Ceci permet d'éviter un contact accidentel du bout de la chaîne et d'obtenir un meilleur contrôle de la tronçonneuse dans des situations inattendues.
- ◆ **N'utilisez que les guides et les chaînes de remplacement prescrites par le fabricant.** La chaîne risque de se casser ou un retour de chaîne peut se produire si cette consigne n'est pas respectée.
- ◆ **Suivez les consignes d'entretien et d'affûtage données par le fabricant de la chaîne.** Si vous abaissez la hauteur de l'indicateur de profondeur, les risques de retour de chaîne sont augmentés.
- ◆ Un retour de chaîne peut se produire si vous heurtez du métal, du ciment ou tout autre matériau dur placé à côté du bois, ou à l'intérieur du bois.
- ◆ Une chaîne émoussée ou détendue peut aussi causer un retour de chaîne.

- ◆ Vous essayez d'insérer la scie dans une entaille préexistante. Ceci peut provoquer un retour de chaîne. Faites toujours une nouvelle entaille.

#### Recommandations de sécurité applicables aux tronçonneuses

- ◆ Si vous utilisez cet outil pour la première fois, nous vous conseillons vivement d'obtenir, auprès d'un utilisateur expérimenté, des conseils pratiques concernant l'utilisation de la tronçonneuse et l'équipement de protection. Pour terminer l'apprentissage, il est conseillé de s'entraîner en sciant des bûches sur un chevalet de sciage ou sur un berceau.
- ◆ **Vérifiez toujours que le frein anti-retour fonctionne** correctement avant l'utilisation.
- ◆ Nous vous recommandons de porter la tronçonneuse avec le frein enclenché et la chaîne orientée vers l'arrière.
- ◆ Entretenez votre tronçonneuse même si vous ne l'utilisez pas. Si vous souhaitez ranger votre tronçonneuse, **enlevez toujours la chaîne et le guide-chaîne. Trempez-les dans un bain d'huile.** Rangez toutes les pièces de votre tronçonneuse dans un endroit sec et sûr hors de portée des enfants.
- ◆ Nous vous recommandons de vidanger le réservoir d'huile avant de ranger la tronçonneuse.
- ◆ Tenez-vous dans un endroit sûr et prévoyez une issue fiable en cas de chute de branches ou d'arbre.
- ◆ Utilisez des coins pour contrôler l'abattage et éviter de plier le guide-chaîne et la chaîne dans l'entaille.
- ◆ Entretien de la chaîne. Assurez-vous que la chaîne est fermement enroulée sur le guide de chaîne. Vérifiez que la chaîne et le guide sont bien propres et bien huilés. Veillez à ce que les poignées soient sèches et propres, sans trace d'huile ou de graisse.

#### Évitez de scier

- ◆ Du bois préparé.
- ◆ Dans le sol.
- ◆ Des haies à grillage, du bois cloué, etc.

#### Vibration

La valeur des émissions de vibration déclarée dans la section **Déclaration/Données techniques de conformité a été mesurée** selon une méthode d'essai standard fournie par la norme EN 60745 et peut être utilisée pour comparer un outil à un autre. Elle peut aussi être utilisée pour une évaluation préliminaire à l'exposition.

**Attention !** Selon la manière dont l'outil est utilisé, la valeur des émissions de vibration pendant l'utilisation de l'outil peut être différente de la valeur déclarée. Le niveau de vibration peut augmenter au-dessus du niveau établi.

**Quand l'exposition aux vibrations est évaluée afin de déterminer les mesures de sécurité requises par la norme 2002/44/EC pour protéger les personnes utilisant régulièrement des outils électroportatif, il faut tenir compte une estimation de l'exposition aux vibrations, les conditions actuelles d'utilisation et la manière dont l'outil est utilisé. Il faut aussi tenir compte de toutes les pièces du cycle de fonctionnement comme la durée pendant laquelle l'outil est arrêté et quand il fonctionne au ralenti, ainsi que la durée du déclenchement. Sécurité électrique**



Cet outil est doublement isolé. Par conséquent, aucun câble de mise à la terre n'est nécessaire. Vérifiez si l'alimentation mentionnée sur la plaque signalétique de l'outil correspond bien à la tension présente sur le lieu.

- ◆ Si le câble d'alimentation est endommagé, il doit être remplacé par le fabricant ou par un Centre de réparation agréé Black & Decker pour éviter tout risque.

## Utilisation d'une rallonge

- ◆ La rallonge utilisée doit être conforme aux normes et doit s'adapter exactement à la prise de cet outil (voir les données techniques). La rallonge doit être adaptée à une utilisation à l'extérieur et signalée comme tel. Une rallonge Black & Decker HO7RN-F 2 de 1,5 mm<sup>2</sup> allant jusqu'à 30 m peut être utilisée tout en maintenant les performances de l'appareil. Avant d'utiliser la rallonge, assurez-vous qu'elle est en bon état et récente. Si ce n'est pas le cas, remplacez-la. Si vous utilisez un dévidoir, le câble doit être complètement déroulé.

## Protégez-vous contre les chocs électriques.

- ◆ Évitez de toucher des surfaces reliées à la terre (par exemple, les grillages métalliques, les lampadaires, etc.). Utilisez un dispositif de courant résiduel à grande sensibilité (30 mA/30mS) (RCD) pour améliorer la sécurité électrique.



**Attention !** L'utilisation d'un dispositif RCD ou autre disjoncteur ne dispense pas l'utilisateur d'appliquer les consignes de sécurité et de travailler dans des conditions sûres, comme indiqué dans ce manuel de l'utilisateur.

## Instructions de sécurité supplémentaires

- ◆ Cet appareil ne doit pas être utilisé par des personnes (y compris les enfants) ayant des déficiences physiques, mentales ou sensorielles. Cette consigne s'applique aussi aux personnes manquant d'expérience et de connaissance du matériel, à moins que celles-ci n'aient

reçu les instructions appropriées ou qu'elles ne soient encadrées par une personne responsable de leur sécurité pour utiliser l'appareil.

- ◆ Ne laissez jamais les enfants sans surveillance pour éviter qu'ils ne jouent avec cet appareil.
- ◆ Travaillez toujours avec quelqu'un à proximité (tout en respectant une distance de sécurité), pour le cas où un accident se produirait.
- ◆ Si vous devez toucher la chaîne pour quelque raison que ce soit, assurez-vous que la tronçonneuse est bien débranchée.
- ◆ Le bruit émis par la tronçonneuse peut dépasser les 85 dB(A). Nous vous recommandons donc vivement de prendre les mesures appropriées pour vous protéger contre le bruit.

## Risques résiduels.

L'utilisation d'un outil non mentionné dans les consignes de sécurité données peut entraîner des risques résiduels supplémentaires. Ces risques peuvent survenir si l'outil est mal utilisé, si l'utilisation est prolongée, etc. Malgré l'application des normes de sécurité correspondantes et la présence de dispositifs de sécurité, les risques résiduels suivants ne peuvent être évités. Ceci comprend :

- ◆ **Les blessures dues au contact avec une pièce mobile/ en rotation.**
- ◆ **Les blessures causées en changeant des pièces, lames ou accessoires.**
- ◆ **Les blessures dues à l'utilisation prolongée d'un outil. Une utilisation prolongée de l'outil nécessite des pauses régulières.**
- ◆ **Déficience auditive.**
- ◆ **Risques pour la santé causés par l'inhalation de poussières produites pendant l'utilisation de l'outil** (exemple : travail avec du bois, surtout le chêne, le hêtre et les panneaux en MDF).

## Étiquettes de l'outil

Les pictogrammes ci-dessous se trouvent sur l'outil :



**Attention !** Pour réduire le risque de blessures, l'utilisateur doit lire le manuel d'instructions.



Portez toujours des lunettes de sécurité et une protection auditive.



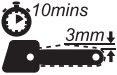
N'exposez pas l'outil à la pluie ou à l'humidité.



Débranchez toujours la prise du courant avant de vérifier un câble endommagé. N'utilisez pas votre tronçonneuse si un câble est endommagé.



Normes 2000/14/CE, puissance sonore garantie.



Pour continuer à utiliser l'appareil en toute sécurité, vérifiez la tension de la chaîne comme décrit dans ce manuel toutes les 10 minutes et ajustez en laissant un jeu de 3 mm, comme requis..

## Caractéristiques

1. Bouton marche/arrêt
2. Bouton de déblocage
3. Bouchon d'huile
4. Ensemble protection avant/frein de chaîne
5. Indicateur de niveau d'huile
6. Chaîne
7. Guide-chaîne
8. Gaine de chaîne
9. Bouton de commande
10. Cache-chaîne

## Assemblage



**Attention !** Portez toujours des gants de protection quand vous effectuez des travaux sur votre tronçonneuse.



**Attention !** Avant toute opération d'entretien, éteignez et débranchez l'appareil.

## Graissage de la chaîne

Le graissage doit être effectué à chaque première utilisation de nouvelle chaîne (6) . Faites tremper la nouvelle chaîne (6) dans de l'huile pour chaîne pendant une heure au moins avant de l'utiliser. N'utilisez que de l'huile pour chaîne Black & Decker.

Nous vous recommandons de n'utiliser que l'huile Black & Decker pendant toute la durée de vie de votre tronçonneuse. Si des huiles différentes sont mélangées, l'huile peut se dégrader ce qui peut raccourcir de manière conséquente la durée de vie de la tronçonneuse et créer des risques supplémentaires.

N'utilisez jamais de l'huile usagée, épaisse ou de l'huile de machine à coudre très liquide. Ceci aurait pour conséquence d'endommager la tronçonneuse.

## Montage de la chaîne et du guide-chaîne (figures A - E)

- ◆ Placez la tronçonneuse sur une surface stable.
- ◆ Sélectionnez l'ensemble protection avant/frein de chaîne en position de marche avant (figure D).
- ◆ Desserrez complètement le bouton de commande (9) (figure A).
- ◆ Retirez le cache-chaîne (10).
- ◆ Placez la chaîne (6) sur le guide-chaîne (7) en dirigeant les dents de la partie supérieure du guide-chaîne (7) vers l'avant (figure B).
- ◆ Guidez la chaîne (6) autour du guide-chaîne (7) et tirez-la pour former une boucle sur un côté à l'extrémité arrière du guide-chaîne (7).
- ◆ Guidez la chaîne (6) autour du pignon d'entraînement (12). Guidez la chaîne (6) autour du pignon d'entraînement (12). Placez le guide-chaîne (7) sur les goujons (13) (figure E)..

**Attention !** Vérifiez que l'ensemble protection avant/frein de chaîne (4) est en position de marche avant avant de le remonter. (figure C).

- ◆ Avant de réinstaller le cache-chaîne, vérifiez la position de la came (11) (figure B). Si nécessaire, appuyez sur le bouton de commande (9) et tournez-le dans le sens des aiguilles d'une montre pour tourner la came dans la position appropriée..
- ◆ Installez le cache-chaîne avec le boulon, puis tournez le bouton de commande (9) pour serrer le cache-chaîne.
- ◆ T Pour tendre la chaîne, desserrez le bouton de commande d'un tour complet. Appuyez ensuite fermement sur le bouton de commande et tournez-le dans le sens des aiguilles d'une montre. Quand le guide-chaîne se déplace vers l'avant, assurez-vous que les maillons s'enclenchent correctement.
- ◆ Laissez le bouton de commande revenir à la position "out", puis tournez-le encore dans le sens des aiguilles d'une montre pour serrer le guide-chaîne. Ne serrez pas trop.
- ◆ Vérifiez la tension de la chaîne comme décrit ci-dessous.

## Contrôle et réglage de la tension de la chaîne (figure G)

Avant d'utiliser la tronçonneuse et toutes les 10 minutes pendant l'utilisation, vous devez vérifier la tension de la chaîne.

- ◆ Débranchez-le du secteur.
- ◆ Tirez légèrement sur la chaîne (6) comme indiqué (figure G). La tension est correcte si la chaîne (6) se remet automatiquement en place lorsque vous l'éloignez de 3 mm du guide-chaîne (7). Il ne doit pas y avoir de jeu en dessous entre le guide-chaîne (7) et la chaîne (6).

**Remarque :** Veillez à ne pas tendre excessivement la chaîne car cela entraînerait une usure excessive et réduirait la durée de vie du guide-chaîne et de la chaîne.

**Remarque :** lorsque la chaîne est neuve, vérifiez fréquemment sa tension (après avoir débranché la tronçonneuse de la prise) pendant les deux premières heures d'utilisation. Les nouvelles chaînes ont tendance à se détendre légèrement.

## Pour augmenter la tension

- ◆ Desserrez le bouton de commande d'un tour complet. Appuyez ensuite fermement sur le bouton de commande et tournez-le jusqu'à ce que la tension désirée soit obtenue. Quand le guide-chaîne se déplace vers l'avant, assurez-vous que les maillons s'enclenchent correctement.
- ◆ Laissez le bouton de commande revenir à la position "out", puis tournez-le encore dans le sens des aiguilles d'une montre pour serrer le guide-chaîne. Ne serrez pas trop.

## Utilisation

**Attention !** Laissez l'outil fonctionner à sa propre vitesse. Ne le poussez pas au-delà de sa limite.

## Remplissage du réservoir d'huile (figure F)

- ◆ Enlevez le bouchon d'huile (3) et remplissez le réservoir avec l'huile pour chaîne recommandée. Le niveau d'huile peut être observé sur l'indicateur (5). Revissez le bouchon d'huile (3).
- ◆ Arrêtez régulièrement l'appareil pour vérifier l'indicateur de niveau d'huile (5). Si le niveau est inférieur au quart, débranchez votre tronçonneuse de la prise et remplissez le réservoir d'huile au niveau approprié.

## Démarrage

**Remarque :** il ne sera pas possible de mettre l'outil en marche si l'ensemble protection avant/frein de chaîne n'est pas en position de réglage.

- ◆ Saisissez fermement la tronçonneuse à deux mains. Enfoncez le bouton de déblocage (2) et appuyez sur le bouton marche/arrêt (1) pour démarrer.
- ◆ Lorsque le moteur démarre, enlevez votre pouce du bouton de déblocage (2) et saisissez fermement la poignée.

Respectez la capacité de l'outil. Laissez-le fonctionner normalement. Il sera plus efficace et garantira une meilleure sécurité en fonctionnant à la vitesse pour laquelle il est conçu. Vous risquez de détendre la chaîne (6) en forçant sur l'appareil.

## Enclenchement du frein de chaîne (figure C)

- ◆ Vérifiez que la tronçonneuse est bien débranchée.
- ◆ Tirez l'ensemble protection avant/frein de chaîne (4) dans la position de réglage (figure C).
- ◆ Vous pouvez à présent utiliser la tronçonneuse.

## Fonctionnement du frein de chaîne anti-retour

En cas de retour de chaîne, votre main gauche entre en contact avec la protection avant, la poussant vers l'avant, vers le morceau de bois. L'outil s'arrête alors en quelques fractions de seconde.

## Vérification du frein de chaîne anti-retour (figure C)

- ◆ Vérifiez toujours que le frein anti-retour fonctionne correctement avant l'utilisation.
- ◆ Saisissez fermement l'outil à deux mains sur une surface ferme. Assurez-vous que la chaîne (6) ne repose pas sur le sol et mettez-le en marche (voir "Mise en marche de la tronçonneuse").
- ◆ Faites pivoter votre main gauche autour de la poignée avant pour que le dos de votre main entre en contact avec l'ensemble protection avant/frein de chaîne (4) et poussez en avant, vers le morceau de bois (figure C). La chaîne (6) doit s'arrêter en quelques fractions de seconde.

Pour recommencer le travail après le fonctionnement de l'ensemble protection avant/frein de chaîne (4), suivez les instructions de la rubrique "Enclenchement du frein de chaîne".

**Remarque :** évitez de faire redémarrer l'outil si le moteur n'est pas complètement arrêté.

**Remarque :** Si le frein de chaîne ne fonctionne pas bien, l'appareil doit être déposé dans un centre de réparation Black & Decker agréé.

## En cas de blocage de la chaîne (6) ou du guide-chaîne (7) :

- ◆ Arrêtez l'outil.
- ◆ Débranchez-le du secteur.
- ◆ Écartez l'entaille à l'aide de coins pour libérer le guide-chaîne (7). N'essayez pas de dégager la tronçonneuse par la force.
- ◆ Démarrez une nouvelle coupe.

## Abattage (figure H - J)

Les utilisateurs inexpérimentés ne doivent en aucun cas essayer d'abattre des arbres. La chute de l'arbre peut être difficile à contrôler, il peut se fendre ou des branches mortes/cassées peuvent tomber pendant la coupe. Ceci peut entraîner des blessures, ainsi que des dommages.

La distance de sécurité entre un arbre à couper et les

personnes, bâtiments ou autres objets se trouvant à proximité doit être au moins égale à 2½ fois la hauteur de l'arbre. Les personnes, bâtiments ou objets se trouvant en deçà de cette distance risquent d'être heurtés au cours de la chute de l'arbre.

**Avant d'essayer d'abattre un arbre :**

- ◆ Assurez-vous que la législation ou les réglementations locales n'interdisent ou ne limitent pas l'abattage.
- ◆ Tenez compte de toutes les conditions pouvant affecter la direction de la chute, notamment :
  - La direction de chute souhaitée.
  - L'inclinaison naturelle de l'arbre.
  - Toute carie ou défaut important de la structure d'une branche maîtresse.
  - Les arbres environnants et les obstacles, en particulier les lignes aériennes.
  - La vitesse et la direction du vent.

Avant l'abattage, vérifiez où vont tomber les arbres ou les branches. Assurez-vous qu'il n'existe aucun obstacle risquant d'empêcher ou de gêner la chute. N'oubliez pas que l'herbe mouillée et l'écorce fraîchement coupée sont glissantes.

- ◆ Ne tentez pas d'abattre des arbres ayant un diamètre supérieur à la longueur de coupe de la tronçonneuse.
- ◆ Une entaille doit être coupée pour déterminer la direction de la chute.
- ◆ Une coupe horizontale est faite à une profondeur entre 1/5ème et 1/3ème du diamètre de l'arbre, perpendiculairement à la ligne de chute à la base de l'arbre (figure H).
- ◆ Faites ensuite une seconde entaille d'un angle de 45° au-dessus de la première entaille.
- ◆ Entaillez horizontalement de l'autre côté à une hauteur de 25 à 50 mm au-dessus du centre de l'entaille de direction (figure I). Ne coupez pas dans cette entaille, vous risqueriez de perdre le contrôle de la direction de la chute.
- ◆ Placez un ou plusieurs coins dans cette entaille afin de l'ouvrir et de faire tomber l'arbre (figure J).

**Élagage des arbres**

Assurez-vous que la législation ou les réglementations locales n'interdisent ou ne limitent pas l'élagage. L'élagage ne doit être effectué que par des utilisateurs expérimentés. Il y a un risque de retour de chaîne et celle-ci peut se coincer.

**Avant l'élagage, tenez compte de toutes les conditions pouvant affecter la direction de la chute, notamment :**

- ◆ La longueur et le poids de la branche à élaguer.
- ◆ Toute carie ou défaut important de la structure d'une branche maîtresse.
- ◆ Les arbres environnants et les obstacles, en particulier les lignes aériennes.

- ◆ La vitesse et la direction du vent.
  - ◆ Une branche entrelacée dans les autres branches.
- L'utilisateur doit vérifier l'accès aux branches et la direction de la chute. La branche peut bouger en direction du tronc de l'arbre. Ceci peut s'avérer dangereux pour les personnes, les objets et les bâtiments sous la branche.

- ◆ Pour éviter les éclats, faites une première entaille vers le haut à une profondeur maximum d'un tiers du diamètre de la branche.
- ◆ Puis, faites une seconde entaille vers le bas qui croise la première.

**Coupe de bûches (figure K - M)**

La façon de couper la bûche dépend de sa position.

Si possible, utilisez un chevalet de sciage. Commencez toujours la coupe avec la chaîne en marche et la butée (16) reposant sur le bois (figure K). Pour exécuter cette opération, faites pivoter la butée contre le bois.

**Lorsqu'elle est soutenue sur toute sa longueur :**

- ◆ Faites une entaille vers le bas, mais évitez de toucher le sol pour ne pas émousser la tronçonneuse.

**Lorsqu'elle est soutenue aux deux extrémités :**

- ◆ Coupez d'abord la bûche vers le bas sur un tiers de sa hauteur pour éviter qu'elle ne se fende. Puis, réalisez une seconde entaille qui rejoindra la première.

**Lorsqu'elle est soutenue à une extrémité :**

- ◆ Coupez d'abord la bûche sur un tiers de sa hauteur vers le haut pour éviter qu'elle ne se fende. Puis, coupez vers le bas.

**Sur un terrain en pente (figure L) :**

- ◆ Faites toujours face à la pente.

**Pour couper une bûche au sol (figure L) :**

- ◆ Installez la bûche avec des cales ou des coins. Personne ne doit se trouver debout ou assis sur la bûche. La chaîne ne doit pas être en contact avec le sol.

**Avec un chevalet de sciage (figure M) :**

Si possible, il est vivement conseillé d'utiliser un chevalet.

- ◆ Placez la bûche dans une position stable. Coupez toujours à l'extérieur des supports du chevalet de sciage. Utilisez des pinces ou des sangles pour maintenir la bûche.



## Dépannage

Problème	Cause possible	Cause possible
L'outil ne démarre pas	Bouton de déblocage non appuyé.	Appuyez sur le bouton de déblocage.
	Protection avant en position de freinage	Réinstallez la protection avant
	Fusible grillé	Remplacez le fusible
	Déclenchement du circuit RCD	Vérifiez le circuit RCD
	Câble secteur débranché	Vérifiez l'alimentation secteur
La chaîne ne s'arrête pas immédiatement en éteignant l'outil	Chaîne trop détendue	Vérifiez la tension de chaîne
Guide-chaîne chaud/fumant	Réservoir d'huile vide	Vérifiez le niveau de réservoir d'huile
	Orifice de remplissage d'huile bouché sur le guide-chaîne	Nettoyez l'orifice
	Chaîne trop serrée	Vérifiez la tension de chaîne
	Le pignon d'entraînement à l'extrémité du guide-chaîne a besoin d'huile	Graissez le pignon d'entraînement à l'extrémité du guide-chaîne
La tronçonneuse ne coupe pas correctement	Chaîne vers l'arrière	Vérifiez/modifiez la direction de la chaîne
		Aigüisez
La tronçonneuse n'utilise pas d'huile	Débris dans le réservoir	Videz l'huile du réservoir et remplacez
	Orifice de remplissage d'huile bouché	Retirez les débris de l'orifice
	Débris dans le guide-chaîne	Retirez les débris et nettoyez le guide-chaîne
	Débris dans la sortie d'huile	Retirez les débris

Un entretien régulier permet de prolonger la durée de vie de l'outil. Il est conseillé de procéder régulièrement aux vérifications suivantes.

**Attention !** À ne pas oublier avant l'entretien des outils électroportatifs :

- ◆ Éteignez l'outil et débranchez-le du secteur.

### Niveau d'huile

Le niveau du réservoir doit toujours être rempli au moins au quart de sa capacité.

### Chaîne et guide-chaîne (figure G)

- ◆ Après quelques heures d'utilisation et avant le rangement, enlevez le guide-chaîne (7) et la chaîne (6) et nettoyez-les soigneusement.
- ◆ La protection doit être propre. Nettoyez tous les débris.
- ◆ Pour le remontage, tournez le guide-chaîne (7) de 180° et graissez l'extrémité du pignon d'entraînement par l'orifice de lubrification (17). Ceci permet d'éviter une usure irrégulière autour des rails du guide-chaîne.

### Affûtage de la chaîne

Pour un rendement maximum, il est important que les dents de la scie soient toujours bien affûtées.

Vous trouverez les instructions pour l'affûtage sur le kit d'affûtage. Nous vous recommandons d'acheter le kit d'affûtage de chaîne Black & Decker (disponible auprès des revendeurs et des réparateurs Black & Decker).

### Remplacement des chaînes usées

Vous pourrez vous procurer des chaînes de rechange auprès des détaillants ou des réparateurs Black & Decker. N'utilisez que des pièces d'origine.

### Affûtage de la chaîne

Les dents de la chaîne s'émousent immédiatement si elles touchent le sol ou un clou pendant la coupe.

### Tension de la chaîne

Vérifiez régulièrement la tension de la chaîne.

### Que faire si votre tronçonneuse doit être réparée ?

Votre tronçonneuse est conforme aux normes de sécurité en vigueur. Les réparations ne doivent être effectuées que par des personnes qualifiées utilisant des pièces de rechange d'origine. Le non respect de cette consigne peut entraîner de graves blessures. Nous vous conseillons de conserver ce manuel d'utilisateur dans un endroit sûr.



## Protection de l'environnement



Recyclage. Cet appareil ne doit pas être jeté avec les déchets ménagers.

Si votre appareil/outil Black & Decker doit être remplacé ou si vous ne l'utilisez plus, ne le jetez pas avec les ordures ménagères. Songez à la protection de l'environnement et recyclez-le.



La collecte séparée des produits et des emballages usagés permet de recycler et de réutiliser des matériaux. La réutilisation de matériaux recyclés évite la pollution de l'environnement et réduit la demande de matières premières.

Des réglementations locales peuvent stipuler la collecte séparée des produits électriques et des produits ménagers, dans des déchetteries municipales ou par le revendeur lorsque vous achetez un nouveau produit.

Black & Decker offre une solution permettant de recycler les produits Black & Decker lorsqu'ils ont atteint la fin de leur cycle de vie. Pour pouvoir profiter de ce service, veuillez retourner votre produit à un réparateur agréé qui se chargera de le collecter pour nous.

Pour connaître l'adresse du réparateur agréé le plus proche de chez vous, contactez le bureau Black & Decker à l'adresse indiquée dans ce manuel. Vous pourrez aussi trouver une liste de réparateurs agréés de Black & Decker et de plus amples détails sur notre service après-vente sur le site Internet à l'adresse suivante : [www.2helpU.com](http://www.2helpU.com)

### Caractéristiques techniques

		GK1630T	GK1635T
		Typ. 5	Typ. 5
Longueur de guide	cm	30	35
Tension	V <sub>AC</sub>	230	230
Puissance d'alimentation	W	1600	1600
Vitesse de la chaîne (sans charge)	m/s	8	8
Longueur maximum de coupe	cm	30	35
Capacité du réservoir à huile	ml	180	180
Poids	kg	3.7	3.8
Classe de sécurité		II	II

		GK1640T
		Typ. 5
Longueur de guide	cm	40
Tension	V <sub>AC</sub>	230
Puissance d'alimentation	W	1600
Vitesse de la chaîne (sans charge)	m/s	8
Longueur maximum de coupe	cm	40
Capacité du réservoir à huile	ml	180
Poids	kg	3.9
Classe de sécurité		II

### Niveau de pression sonore selon la norme EN 60745:

Pression sonore (L<sub>pa</sub>) 92 dB(A), incertitude (K) 3 dB(A)  
Pression sonore (L<sub>wa</sub>) 103 dB(A), incertitude (K) 3 dB(A)

### Valeurs totales des vibrations (somme vectorielle triaxiale)

selon la norme EN 60745 :

Valeur d'émission de vibration (a<sub>v</sub>) 5 m/s<sup>2</sup>, incertitude (K) 1,5 m/s<sup>2</sup>

## Déclaration de conformité CE

CONSIGNES DE MACHINERIE  
CONSIGNES NUISANCES SONORES EXTÉRIEURES



GK1630T, GK1635T, GK1640T

Black & Decker confirme que les produits décrits dans les  
« Données techniques » sont conformes aux normes :

98/37/CE (jusqu'au 28 décembre 2009), 2006/42/CE (depuis  
le 29 décembre 2009), EN 60745-1, EN 60745-2-13

2000/14/CE, Tronçonneuse, Annexe V  
KEMA Quality B.V., Utrechtseweg 310, 6802 ED Arnhem, The  
Netherlands  
Notified Body ID No.: 0344

Niveau de puissance sonore selon la norme 2000/14/CE  
(Article 13, Annexe III) :

$L_{WA}$  (puissance sonore mesurée) 103 dB(A)  
Incertitude = 3 dB(A)

$L_{WA}$  (puissance sonore garantie) 103 dB(A)  
Incertitude = 3 dB(A)

Ces produits sont conformes aux normes 2004/108/CE. Pour  
plus de détails, veuillez contacter Black & Decker à l'adresse  
suivante ou reportez-vous au dos du manuel.

Le soussigné est responsable des données de la fiche  
technique et fait cette déclaration au nom de Black & Decker.

Kevin Hewitt  
Vice-Président - ingénierie internationale  
Black & Decker Europe, 210 Bath Road, Slough,  
Berkshire, SL1 3YD  
Royaume-Uni  
01-12-2009

## Garantie

Black & Decker assure la qualité de ses produits et vous offre  
une **garantie très élargie**. Ce **certificat de garantie est un**  
document supplémentaire et ne peut en aucun cas se  
substituer à vos droits légaux. La garantie est valable sur tout  
le territoire des États Membres de l'Union Européenne et de la  
Zone de Libre Échange Européenne.

Si un produit Black & Decker s'avère défectueux en raison de  
matériaux en mauvaises conditions, d'une erreur humaine, ou  
d'un manque de conformité dans les 24 mois suivant la date  
d'achat, Black & Decker garantit le remplacement des pièces  
défectueuses, la réparation des produits usés ou cassés ou  
remplace ces produits à la convenance du client, sauf dans  
les circonstances suivantes :

- ◆ Le produit a été utilisé dans un but commercial,  
professionnel, ou a été loué;
- ◆ Le produit a été mal utilisé ou utilisé avec négligence;
- ◆ Le produit a subi des dommages à cause d'objets  
étrangers, de substances ou à cause d'accidents;
- ◆ Des réparations ont été tentées par des techniciens ne  
faisant pas partie du service technique de Black & Decker.

Pour avoir recours à la garantie, il est nécessaire de fournir  
une preuve d'achat au vendeur ou à un réparateur agréé.  
Pour connaître l'adresse du réparateur agréé le plus proche  
de chez vous, contactez le bureau Black & Decker à l'adresse  
indiquée dans ce manuel. Vous pourrez aussi trouver une liste  
de réparateurs agréés de Black & Decker et de plus amples  
détails sur notre service après-vente sur le site Internet à  
l'adresse suivante : [www.2helpU.com](http://www.2helpU.com)

Visitez notre site Web [www.blackanddecker.co.uk](http://www.blackanddecker.co.uk) pour  
enregistrer votre nouveau produit Black & Decker et être  
informé des nouveaux produits et des offres spéciales. Pour  
plus d'informations concernant la marque Black & Decker et  
notre gamme de produits, consultez notre site [www.](http://www.blackanddecker.co.uk)  
[blackanddecker.co.uk](http://www.blackanddecker.co.uk)

## Uso previsto

La motosega Black & Decker è stata progettata per potare e abbattere alberi e per tagliare ceppi. L'elettrotensile è stato progettato solo per uso privato.

## Istruzioni di sicurezza

### Avvisi di sicurezza generici per gli elettrotensili



**Attenzione! Leggere tutti gli avvisi di sicurezza e tutte le istruzioni.** La mancata osservazione dei presenti avvisi e istruzioni potrebbe causare scosse elettriche, incendi e/o infortuni gravi.

Conservare tutte le istruzioni e le avvertenze per futura consultazione. Il termine "elettrotensile" che ricorre in tutti gli avvisi seguenti si riferisce ad utensili elettrici con o senza filo.

#### 1. Sicurezza nella zona di lavoro

- Mantenere pulita e bene illuminata l'area di lavoro.** Il disordine o la scarsa illuminazione possono causare incidenti.
- Evitare di usare gli elettrotensili in ambienti esposti a rischio di esplosione, ad esempio in presenza di liquidi, gas o polveri infiammabili.** Gli elettrotensili producono scintille che possono far infiammarsi la polvere o i fumi.
- Tenere lontani bambini e astanti mentre si usa un elettrotensile.** Eventuali distrazioni possono comportare la perdita del controllo dell'elettrotensile.

#### 2. Sicurezza elettrica

- Le spine elettriche degli elettrotensili devono essere adatte alla presa. Evitare assolutamente di modificare la spina elettrica. Non usare adattatori con elettrotensili provvisti di messa a terra.** L'uso di spine inalterate e delle prese corrispondenti riduce il rischio di scosse elettriche.
- Evitare il contatto fisico con superfici collegate a terra, tipo tubi, radiatori, forni e frigoriferi.** Un corpo collegato a terra è esposto maggiormente al rischio di scosse elettriche.
- Custodire gli elettrotensili al riparo dalla pioggia o dall'umidità.** L'eventuale infiltrazione di acqua in un elettrotensile va ad aumentare il rischio di scosse elettriche.
- Non utilizzare il cavo in modo improprio. Non usare il cavo per trasportare o trainare l'elettrotensile e non tirarlo per estrarre la spina dalla presa di corrente.** Mantenere il cavo al riparo da calore, olio, bordi taglienti e/o da parti in movimento. I cavi danneggiati o aggrovigliati aumentano il rischio di scosse elettriche.

e. Se l'elettrotensile viene adoperato all'aperto, usare esclusivamente prolunghes omologate per l'impiego all'esterno. Un cavo adatto per uso esterno riduce il rischio di scosse elettriche.

f. **Se non è possibile evitare di lavorare in una zona umida, usare un'alimentazione elettrica protetta da un dispositivo a corrente residua (RCD).** L'uso di un dispositivo RCD riduce il rischio di scosse elettriche.

#### 3. Sicurezza delle persone

- È importante concentrarsi su ciò che si sta facendo e maneggiare con giudizio l'elettrotensile. Non adoperare l'elettrotensile se si è stanchi o sotto l'effetto di stupefacenti, alcol o medicinali.** Un attimo di distrazione può causare gravi infortuni personali.
- Usare l'equipaggiamento di protezione personale.** Indossare sempre occhiali di sicurezza. Se si avrà cura d'indossare l'equipaggiamento protettivo necessario, ad esempio una maschera antipolvere, delle calzature antiscivolo, un casco o delle otoprotezioni, si ridurrà il rischio di infortuni.
- Impedire l'avviamento involontario.** Accertarsi che l'interruttore di accensione sia regolato su spento prima di collegare l'elettrotensile all'alimentazione elettrica e/o al battery pack, di prenderlo in mano o di trasportarlo. Per non esporsi al rischio di incidenti, non trasportare gli elettrotensili tenendo le dita sull'interruttore oppure, se sono collegati a un'alimentazione elettrica, con l'interruttore acceso.
- Prima di accendere un elettrotensile, togliere eventuali utensili o chiavi di regolazione.** Un utensile o una chiave lasciati in un componente mobile dell'elettrotensile potranno causare lesioni.
- Non sbilanciarsi. Mantenere sempre un buon equilibrio** evitando posizioni instabili. In questo modo è possibile controllare meglio l'elettrotensile in situazioni inaspettate.
- Vestirsi adeguatamente.** Evitare di indossare indumenti larghi o gioielli. Tenere capelli, capi di vestiario e guanti lontani da parti in movimento. Capi di vestiario larghi, gioielli o capelli lunghi potrebbero impigliarsi nei componenti in movimento.
- Se gli elettrotensili sono provvisti di attacchi per il collegamento di dispositivi di aspirazione o di raccolta della polvere, assicurarsi che questi siano installati e utilizzati correttamente.** L'impiego di dispositivi di raccolta della polvere diminuisce i rischi relativi alle polveri.

#### 4. Uso e cura degli elettrotensili

- Non sovraccaricare l'elettrotensile. Usare l'elettrotensile adatto al lavoro da eseguire.** Utilizzando l'elettrotensile adatto si potrà lavorare meglio e con maggiore sicurezza alla potenza nominale prevista.

**b. Non utilizzare elettroutensili con interruttori difettosi.**

Un elettroutensile che non può essere controllato mediante l'interruttore è pericoloso e deve essere riparato.

**c. Scollegare la spina dalla presa di corrente e/o il battery pack dall'elettroutensile prima di regolarlo, sostituirne gli accessori o di ripararlo.**

Queste precauzioni di sicurezza riducono la possibilità che l'elettroutensile sia messo in funzione inavvertitamente.

**d. Quando non vengono usati, gli elettroutensili devono essere custoditi fuori dalla portata dei bambini. Non consentire l'uso dell'elettroutensile a persone inesperte o che non abbiano letto le presenti istruzioni. Gli elettroutensili risultano pericolosi se usati da persone inesperte.****e. Sottoporre gli elettroutensili a regolare manutenzione.**

**Verificare che le parti mobili siano bene allineate e non inceppate, che non vi siano componenti rotti e che non sussistano altre condizioni che possono compromettere il funzionamento dell'elettroutensile. In caso di danni, riparare l'elettroutensile prima dell'uso.** La scarsa manutenzione causa molti incidenti.

**f. Mantenere affilati e puliti gli strumenti da taglio.** Se sottoposti alla giusta manutenzione, gli strumenti da taglio con taglienti affilati s'inceppano meno frequentemente e sono più facili da manovrare.**g. Utilizzare l'elettroutensile, gli accessori e le punte in conformità alle presenti istruzioni, tenendo conto delle condizioni di lavoro e del lavoro da completare.** L'impiego dell'elettroutensile per usi diversi da quelli consentiti può dar luogo a situazioni pericolose.**5. Riparazioni****a. Fare riparare l'elettroutensile esclusivamente da personale specializzato e solo usando pezzi di ricambio originali, onde non alterarne la sicurezza.****Altri avvisi di sicurezza per gli elettroutensili**

**Attenzione!** Ulteriori avvisi di sicurezza per le motoseghe.

- ◆ **Mantenere ogni parte del corpo lontana dalla motosega durante l'impiego.** Prima di accendere la motosega, assicurarsi che la catena della motosega non sia a contatto di altre parti. Un attimo di distrazione durante l'impiego della motosega può far impigliare l'abbigliamento o parti del corpo nella motosega.
- ◆ **Tenere sempre la motosega con la mano destra sull'impugnatura posteriore e quella sinistra sull'impugnatura anteriore.** Se la motosega viene tenuta all'incontrario rispetto a quanto consigliato, si aumenta il rischio di lesioni personali e non bisogna mai farlo.

- ◆ **Indossare occhiali di sicurezza e otoprotezioni. Si consiglia inoltre un equipaggiamento protettivo per testa, mani, gambe e piedi.** Un abbigliamento protettivo idoneo riduce il rischio di lesioni personali causate dal distacco di rami o dal contatto accidentale con la motosega.
- ◆ **Non utilizzare la motosega su di un albero.** L'utilizzo della motosega quando ci si trova in alto su di un albero può causare lesioni personali.
- ◆ **Mantenere sempre un buon equilibrio e utilizzare la motosega solo quando ci si trova su di una superficie fissa, sicura e piana.** Superfici sdrucciolevoli o poco stabili tipo le scale, possono causare la perdita di equilibrio o del controllo della motosega.
- ◆ **Se si taglia un ramo sotto tensione, prestare attenzione all'effetto "molla".** Quando la tensione nelle fibre del legno viene rilasciata, il ramo caricato come una molla può colpire l'operatore e/o fargli perdere il controllo della motosega.
- ◆ **Prestare la massima attenzione quando si tagliano cespugli e giovani pertiche** dato che il materiale sottile potrebbe incepparsi nella motosega e schizzare verso l'operatore oppure fargli perdere l'equilibrio.
- ◆ **Trasportare la motosega spenta e tenuta lontana del corpo afferrandola dall'impugnatura anteriore. Durante il trasporto o quando si ripone la motosega, montare sempre il coperchio della barra di guida.** Il corretto maneggio della motosega riduce la probabilità di contatto accidentale con la catena in movimento della motosega.
- ◆ **Seguire le istruzioni relative alla lubrificazione, al tensionamento della catena e alla sostituzione degli accessori.** Delle catene tese o lubrificate in modo errato possono o rompersi o aumentare la probabilità di contraccolpi.
- ◆ **Mantenere le impugnature pulite e prive di tracce di olio o grassi.** La presenza di olio o grasso sui manici può renderli scivolosi e causare la perdita di controllo dell'elettroutensile.
- ◆ **Tagliare solo il legno. Non usare la motosega per lavori diversi da quelli di progetto. Ad esempio: non utilizzare la motosega per tagliare plastica, murature o materiali da costruzione diversi dal legno.** L'impiego della motosega per usi diversi da quelli previsti può dar luogo a situazioni di pericolo.
- ◆ **Posizionare il cavo in modo che non rimanga impigliato su rami o su altre parti durante il taglio.**
- ◆ **La barra paraurti dentata (16) potrebbe diventare affilata col tempo.** Manipolarla con attenzione.
- ◆ **Durante l'impiego della motosega, la catena potrebbe riscaldarsi.** Manipolarla con attenzione.

## Possibili cause e accorgimenti per impedire un contraccolpo

I contraccolpi possono verificarsi quando la punta della barra di guida tocca un oggetto o quando il legno tagliato si richiude e incastra la catena della motosega nel taglio.

A volte il contatto con la punta può causare una reazione inversa improvvisa, spingendo la barra di guida verso l'alto e indietro verso l'operatore.

Se la catena della motosega rimane incastrata lungo la parte superiore della barra di guida è possibile che la barra venga spinta indietro velocemente contro l'operatore.

Entrambe queste reazioni possono causare la perdita di controllo della motosega con la probabilità di pericolose lesioni personali. **Non fare affidamento esclusivamente sui dispositivi di sicurezza incorporati nella motosega.** L'operatore della motosega è responsabile dell'esecuzione dei lavori di taglio che non devono essere causa di incidenti o lesioni.

Un contraccolpo è la conseguenza di un utilizzo non appropriato oppure non corretto dell'elettroutensile. Esso può essere evitato soltanto adottando le misure di sicurezza idonee come descritto di seguito:

- ◆ **Tenere saldamente la motosega afferrando le impugnature con i pollici e le dita. Afferrando la motosega con entrambe le mani, posizionare il corpo e il braccio in modo da far fronte ad eventuali contraccolpi.** L'operatore è in grado di resistere alla forza esercitata da eventuali contraccolpi se adotta le misure del caso. Non lasciare andare la motosega.
- ◆ **Non sbilanciarsi e non tagliare oltre l'altezza della spalla.** In questo modo si evita il contatto involontario con la punta e si mantiene un miglior controllo della motosega in situazioni impreviste.
- ◆ **Utilizzare solamente le barre di guida e le catene di ricambio indicate dal produttore.** L'errata sostituzione delle barre di guida e delle catene può causare la rottura della catena e/o contraccolpi.
- ◆ **Rispettare le istruzioni di affilatura e di manutenzione della catena della motosega date dal fabbricante.** La diminuzione dell'altezza del calibro di profondità aumenta la possibilità di contraccolpi.
- ◆ Il contatto con metallo, cemento o altri materiali duri che si trovano in prossimità del legno o al suo interno possono causare un contraccolpo.
- ◆ Una catena smussata o allentata può causare un contraccolpo.
- ◆ Non cercare di inserire la motosega in un taglio praticato in precedenza, dato che potrebbe causare un contraccolpo. Praticare un nuovo taglio ogni volta.

## Consigli di sicurezza per la motosega

- ◆ Consigliamo vivamente a chi la usa per la prima volta, di farsi dare dei consigli pratici da un esperto sia per l'uso

della motosega sia dell'equipaggiamento protettivo. Completare questa lezione pratica segnando ceppi su di un cavalletto o su di un'intelaiatura di sostegno.

- ◆ Prima dell'impiego, controllare sempre che il freno di protezione dai contraccolpi funzioni correttamente.
- ◆ Durante il trasporto della motosega consigliamo di verificare che il freno sia innestato e che la catena della motosega sia rivolta all'indietro.
- ◆ Quando non viene adoperata, la motosega deve essere sottoposta alla necessaria manutenzione. Non riporre mai la motosega senza averne prima rimosso la catena e la barra di guida che devono essere conservate in un bagno d'olio. Tutti i componenti della motosega devono essere riposti in luogo sicuro e asciutto, fuori dalla portata dei bambini.
- ◆ Consigliamo di scaricare l'olio in un apposito serbatoio prima di riporre l'elettroutensile.
- ◆ Prima di abbattere dei rami o un albero, mettere a punto un programma di sicurezza che consenta di allontanarsi senza pericolo e fare attenzione a proteggere i piedi.
- ◆ Fare uso di cunei per agevolare il controllo dell'abbattimento ed evitare che la catena e la barra di guida si blocchino nel taglio.
- ◆ Manutenzione della motosega. La catena deve essere sempre affilata e bene aderente alla barra di guida. Verificare che catena e barra di guida siano pulite e perfettamente lubrificate. Mantenere le maniglie asciutte, pulite e prive di tracce di olio o grasso.

## Evitare di tagliare:

- ◆ legname preparato;
- ◆ il terreno;
- ◆ recinzioni metalliche, chiodi, ecc..

## Vibrazioni

I valori dichiarati delle emissioni di vibrazioni al paragrafo Dati tecnici e nella Dichiarazione di conformità del presente manuale sono stati misurati in base al metodo di test standard previsto dalla normativa EN 60745 e possono essere usati come parametri di confronto tra due utensili. Il valore delle emissioni di vibrazioni dichiarato può anche essere usato come valutazione preliminare dell'esposizione.

**Attenzione!** Il valore delle emissioni di vibrazioni durante l'impiego effettivo dell'elettroutensile può variare da quello dichiarato a seconda delle modalità d'uso. Il livello delle vibrazioni può aumentare oltre quello dichiarato.

Quando si valuta l'esposizione alle vibrazioni per determinare le misure di sicurezza richieste, in conformità alla normativa 2002/44/CE e destinata alla protezione delle persone che usano regolarmente gli elettroutensili nello svolgimento delle

proprie mansioni, è necessario prendere in considerazione le condizioni effettive di utilizzo e il modo in cui l'utensile è usato, oltre a tenere in conto tutte le componenti del ciclo operativo, vale a dire i periodi in cui l'elettrotensile è spento, quelli in cui è acceso, ma a riposo e quelli in cui è effettivamente utilizzato.

### Sicurezza elettrica



Il doppio isolamento di cui è provvisto l'elettrotensile rende superfluo il filo di terra. Controllare sempre che l'alimentazione corrisponda alla tensione indicata sulla targhetta dei dati tecnici.

- ◆ In caso di danneggiamento del cavo di alimentazione, è necessario farlo riparare dal fabbricante o presso un centro assistenza Black & Decker autorizzato in modo da evitare eventuali pericoli.

### Utilizzo di un cavo di prolunga

- ◆ Usare sempre un cavo di prolunga di tipo omologato, idoneo all'assorbimento di corrente di questo elettrotensile (vedere i dati tecnici). Il cavo di prolunga deve essere idoneo per impiego all'esterno e deve essere opportunamente contrassegnato. È possibile usare un cavo di prolunga HO7RN-F 2 lungo fino a 30 m con diametro di 1,5 mm<sup>2</sup> senza perdita alcuna delle prestazioni del prodotto. Prima dell'impiego, ispezionare il cavo di prolunga per accertarsi che non presenti segni di danni, usura o invecchiamento. Sostituire il cavo di prolunga se è danneggiato o difettoso. Se si usa un mulinello, svolgere sempre completamente il cavo.

### Fare attenzione alle scosse elettriche

- ◆ Evitare il contatto con le superfici messe a terra (ad esempio guide metalliche, steli di lampade ecc.). La sicurezza elettrica può essere ulteriormente aumentata utilizzando un dispositivo a corrente residua (RCD) ad alta sensibilità (30 mA/30 mS).



**Attenzione!** L'impiego di un dispositivo a corrente residua o di altri interruttori automatici non esonera l'operatore della motosega dall'osservanza delle istruzioni di sicurezza e delle prassi di lavoro riportate in questo manuale.

### Ulteriori precauzioni di sicurezza

- ◆ Questo elettrotensile non è stato progettato per impiego da parte di persone (o bambini) portatrici di handicap fisici, psichici o sensoriali o che non abbiano la dovuta esperienza o conoscenza, a meno che non siano seguite o opportunamente istruite sul suo impiego da parte di una persona responsabile della loro sicurezza.

- ◆ Controllare che i bambini non giochino con l'elettrotensile.
- ◆ Assicurarsi che nelle vicinanze (ma a distanza di sicurezza) sia sempre disponibile qualcuno che possa intervenire in caso di incidente.
- ◆ Se, per qualsiasi motivo, è necessario toccare la catena, accertare che la motosega non sia collegata all'alimentazione elettrica.
- ◆ La rumorosità della motosega può superare 85 dB(A). Si suggerisce, quindi, di adottare le misure del caso per proteggere l'udito.

### Rischi residui.

Altri rischi residui possono derivare dall'impiego dell'elettrotensile e possono non essere stati elencati negli avvisi di sicurezza allegati. Tali rischi possono sorgere a seguito di un uso prolungato o improprio, ecc. Perfino adottando gli appositi regolamenti di sicurezza e utilizzando i dispositivi di sicurezza, certi rischi residui non possono essere evitati. Essi comprendono:

- ◆ **Lesioni causate o subite a seguito del contatto con parti rotanti/in movimento.**
- ◆ **Lesioni causate o subite durante la sostituzione di parti, lame o accessori.**
- ◆ **Lesioni causate dall'impiego prolungato di un elettrotensile. Quando si usa qualsiasi elettrotensile per lunghi periodi, accertarsi di fare regolarmente delle pause.**
- ◆ **Problemi di udito.**
- ◆ **Rischi per la salute causati dall'aspirazione di polvere generata dall'utilizzo dell'elettrotensile (ad esempio quando si lavora con il legno, in modo particolare quello di quercia, faggio o l'MDF.)**

### Etichette sull'elettrotensile

Sull'elettrotensile appaiono i seguenti pittogrammi:



**Attenzione!** Per ridurre il rischio di infortuni, l'utente deve leggere il manuale d'uso.



Indossare sempre occhiali di sicurezza e otoprotezioni.



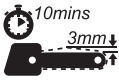
Non esporre l'elettrotensile alla pioggia o a un'umidità intensa.



Estrarre sempre la spina dalla presa prima di ispezionare un cavo danneggiato. Fare attenzione a non adoperare la motosega se il cavo è danneggiato.



Pressione sonora garantita in base alla direttiva  
2000/14/CE.



Per garantire sempre un funzionamento sicuro, dopo ogni 10 minuti di utilizzo, controllare la tensione della catena come descritto nel presente manuale e regolarla di nuovo su di un gioco di 3 mm quando richiesto.

## Caratteristiche

1. Interruttore di accensione
2. Pulsante di sbloccaggio
3. Tappo olio
4. Protezione anteriore/freno catena
5. Indicatore livello olio
6. Catena
7. Barra di guida
8. Guaina catena
9. Pomello di comando
10. Coperchio catena

## Montaggio



**Attenzione!** Indossare sempre guanti protettivi quando si lavora sulla motosega.



**Attenzione!** Prima di eseguire la manutenzione dell'elettrotensile/apparecchio oppure di pulirlo, scollegarlo dalla presa di corrente.

## Lubrificazione della catena

Procedere con la lubrificazione ogni volta che si adopera una catena nuova (6) per la prima volta. Estrarre la nuova catena (6) e immergerla in olio per catene per almeno un'ora prima di usarla. Usare olio per catene Black & Decker.

Si suggerisce di usare esclusivamente olio Black & Decker per l'intera durata di servizio della motosega in quanto miscele di oli diversi possono compromettere la qualità del lubrificante, ridurre notevolmente la durata della catena e creare altri rischi.

Non usare mai olio di scarto, olio pesante od olio troppo leggero tipo quello per macchine da cucire, dato che questi oli potrebbero danneggiare la motosega.

## Montaggio della barra di guida e della catena (fig. A - E)

- ◆ Collocare la motosega su una superficie stabile.
- ◆ Regolare la protezione anteriore/freno catena nella posizione avanti (fig. D).
- ◆ Allentare completamente il pomello di comando (9) (fig. A).
- ◆ Togliere il coperchio della catena (10).
- ◆ Collocare la catena (6) sopra la barra di guida (7), verificando che i taglienti della catena della motosega sulla faccia della barra di guida (7) siano rivolti verso il lato anteriore (fig. B).
- ◆ Far passare la catena (6) attorno alla barra di guida (6) e tirarla per creare un cappio su di un lato all'estremità posteriore della barra di guida (7).
- ◆ Far passare la catena (6) attorno al rocchetto dentato di trasmissione (12). Disporre la barra di guida (7) sui prigionieri di centraggio della barra (13) (fig. E).

**Attenzione!** Accertarsi che la protezione anteriore/freno catena (4) si trovino nella posizione (avanti) sulla quale erano stati regolati prima del rimontaggio (fig. C).

- ◆ Prima di montare il coperchio della catena controllare che la camma (11) (fig. B) si trovi nella posizione corretta. Se necessario, premere e girare in senso orario il pomello di comando (9) per ruotare la camma nella posizione corretta.
- ◆ Montare il coperchio della catena inserendo il bullone e usando il pomello di comando (9) per serrare il coperchio della catena solo con le dita..
- ◆ Per tendere la catena, allentare il pomello di comando di un giro completo, premerlo saldamente e ruotarlo in senso orario. Non appena la barra si sposta in avanti, verificare che le maglie della catena entrino nella barra di guida..
- ◆ S Lasciare che il pomello di comando ritorni indietro sulla posizione "out" (fuori) e ruotare di nuovo in senso orario per serrare la barra di guida. Non serrare eccessivamente.
- ◆ Controllare la tensione come descritto di seguito.

## Controllo e regolazione della tensione della catena (fig. G)

Prima dell'uso e quindi ogni 10 minuti di funzionamento, è necessario controllare la tensione della catena.

- ◆ Scollegare l'elettrotensile dall'alimentazione elettrica.
- ◆ Tirare leggermente la catena (6) come illustrato (riquadro in fig. G). La tensione è corretta se la catena (6) scatta all'indietro una volta allontanata di 3 mm dalla barra di guida (7). Sul lato inferiore tra la barra di guida (7) e la catena (6) non devono esservi cedimenti.

**Nota:** Non tendere eccessivamente la catena della motosega dato che facendolo si causa un logorio eccessivo e si abbrevia la vita della barra di guida e della catena stessa.

**Nota:** Quando la catena è nuova, controllarne spesso la tensione (dopo avere scollegato la motosega



dall'alimentazione di rete) durante le prime due ore d'uso, in quanto una catena nuova cede leggermente.

### Aumento della tensione

- ◆ Allentare il pomello di comando di un giro completo, premerlo saldamente e ruotarlo in senso orario fino a raggiungere la tensione desiderata. Non appena la barra si sposta in avanti, verificare che le maglie della catena entrino nella barra di guida.
- ◆ Lasciare che il pomello di comando ritorni indietro sulla posizione "out" (fuori) e ruotare di nuovo in senso orario per serrare la barra di guida. Non serrare eccessivamente.

### Utilizzo

**Attenzione!** Lasciare che l'elettroutensile funzioni al suo ritmo. Non sovraccaricarlo.

### Riempimento del serbatoio dell'olio (fig. F)

- ◆ Togliere il tappo dal serbatoio dell'olio (3) e rabboccare con l'olio per catene suggerito. Il livello dell'olio può essere controllato tramite l'indicatore di livello (5). Rimettere il tappo del serbatoio dell'olio (3).
- ◆ Spegnerne periodicamente e controllare l'olio mediante il rispettivo indicatore (5): se il livello scende al di sotto di un quarto del pieno, scollegare la motosega dall'alimentazione di rete e rabboccare con l'olio corretto.

### Accensione

**Nota:** Non è possibile accendere l'elettroutensile se la protezione anteriore/freno catena non sono in posizione "attivata".

- ◆ Afferrare la motosega saldamente con entrambe le mani. Per accenderla, premere il pulsante di sbloccaggio (2) e quindi l'interruttore di accensione (1).
- ◆ Quando il motore parte, alzare il pollice dal pulsante di sbloccaggio (2) e afferrare saldamente l'impugnatura.

Non sovraccaricare l'elettroutensile: lasciare allo stesso il tempo di compiere il proprio lavoro. L'elettroutensile esegue un lavoro migliore e più sicuro alla velocità per cui è stato progettato. Una forza eccessiva sollecita troppo la catena della motosega (6).

### Attivazione del freno della catena (fig. C)

- ◆ Verificare che l'utensile sia staccato dall'alimentazione principale.
- ◆ Tirare di nuovo la protezione anteriore/freno della catena (4) nella posizione "attivata" (fig. C).
- ◆ Ora l'utensile è pronto per essere adoperato.

### Funzionamento del freno della catena di protezione dai contraccolpi

In caso di contraccolpi, la mano sinistra viene a contatto della protezione anteriore e la spinge in avanti, verso il pezzo su cui si sta lavorando e arresta l'elettroutensile in poche frazioni di secondo.

### Prova del freno della catena di protezione dai contraccolpi (fig. C)

- ◆ Prima dell'impiego, controllare sempre che il freno di protezione dai contraccolpi funzioni correttamente.
- ◆ Afferrare saldamente l'elettroutensile con entrambe le mani su una superficie solida, verificando che la catena della motosega (6) non tocchi a terra e accenderlo (vedere "Come accendere la motosega").
- ◆ Girare la mano sinistra in avanti, attorno all'impugnatura anteriore, in modo che il dorso della mano venga a contatto della protezione anteriore/freno catena (4) e li spinga in avanti, verso il pezzo da tagliare (fig. C). A questo punto la catena della motosega (6) dovrebbe bloccarsi in poche frazioni di secondo.

Per ripristinare l'elettroutensile dopo l'attivazione della protezione anteriore/freno catena (4) seguire le istruzioni riportate al paragrafo "Attivazione del freno della catena".

**Nota:** Evitare di riaccendere l'utensile fino a quando il motore non si è fermato del tutto.

**Nota:** Se il freno della catena non funziona correttamente, portare l'elettroutensile presso un centro assistenza Black & Decker autorizzato.

### Se la catena della motosega (6) o la barra di guida (7) si inceppano:

- ◆ Spegnerne l'elettroutensile.
- ◆ Scollegare l'elettroutensile dall'alimentazione elettrica.
- ◆ Aprire il taglio usando dei cunei, per allentare la tensione sulla barra di guida (7). Non tentare di liberare la motosega facendo uso di una chiave.
- ◆ Iniziare un taglio nuovo.

### Abbattimento (figg. H - J)

Degli operatori poco esperti non devono tentare di abbattere alberi. L'operatore potrebbe subire lesioni o causare danni alle cose a seguito del mancato controllo della direzione di abbattimento; l'albero potrebbe scheggiarsi o dei rami danneggiati/morti potrebbero cadere durante il taglio.

La distanza di sicurezza da mantenere fra un albero da abbattere e gli astanti, gli edifici o altri oggetti è di almeno 2,5 volte l'altezza dell'albero. Eventuali astanti, edifici o oggetti presenti entro questa distanza sono esposti al rischio di essere colpiti dall'albero abbattuto.

**Prima di tentare di abbattere un albero:**

- ◆ Assicurarsi che le leggi e i regolamenti locali non proibiscano o controllino l'abbattimento di un albero.



- ◆ Tenere conto di tutto ciò che può influire sulla direzione di caduta, tra cui:
  - La direzione di caduta desiderata.
  - L'inclinazione naturale dell'albero.
  - L'eventuale peso inusuale del ramo e la possibilità che questo sia secco o marcio.
  - Gli alberi e gli ostacoli circostanti, comprese le linee elettriche aeree e le fogne sotterranee.
  - La velocità e direzione del vento.

Mettere a punto un programma di sicurezza che consenta di allontanarsi dai rami o dall'albero che stanno per essere abbattuti. Verificare che il percorso per allontanarsi sia privo di ostacoli che potrebbero intralciare i movimenti. Ricordare che l'erba umida e la corteccia appena tagliata sono scivolose.

- ◆ Non tentare di abbattere alberi il cui diametro sia superiore alla lunghezza di taglio della motosega.
- ◆ Praticare un'incisione nel tronco per determinare la direzione di caduta.
- ◆ Praticare un taglio orizzontale a una profondità che va da un quinto a un terzo del diametro dell'albero, perpendicolarmente alla linea di caduta alla base dell'albero (fig. H).
- ◆ Praticare un secondo taglio dall'alto in modo che si intersechi con il primo e consenta di ottenere un'incisione di 45° circa.
- ◆ Praticare un unico taglio orizzontale di abbattimento dall'altro lato a 25 – 50 mm al di sopra del centro dell'incisione di direzione.

(fig. I). Non tagliare completamente fino all'incisione di direzione dato che si perderebbe il controllo della direzione di caduta.

- ◆ Inserire uno o più cunei nel taglio per allargarlo e abbattere l'albero (fig. J).

## Potatura degli alberi

Assicurarsi che le leggi e i regolamenti locali non proibiscano o controllino la potatura di rami. La potatura deve essere praticata solo da operatori esperti dato che vi è un maggior rischio di inceppamento della catena della motosega e di contraccolpi.

**Prima di eseguire la potatura, prendere in considerazione le condizioni prevalenti che potrebbero influire sulla direzione di caduta, tra cui:**

- ◆ Lunghezza e peso del ramo da tagliare.
- ◆ L'eventuale peso inusuale del ramo e la possibilità che questo sia secco o marcio.
- ◆ Gli alberi e gli ostacoli circostanti, comprese le linee elettriche aeree.
- ◆ La velocità e direzione del vento.
- ◆ Il fatto che il ramo sia intrecciato con altri rami.

L'operatore deve inoltre considerare come raggiungere il ramo e l'eventuale direzione di caduta. È probabile che il ramo oscilli verso il tronco. Sono infatti a rischio non solo l'operatore e gli astanti, ma anche oggetti e cose.

- ◆ Per evitare la scheggiatura, eseguire il primo taglio verso l'alto a una profondità massima pari a un terzo del diametro del ramo.
- ◆ Praticare il secondo taglio verso il basso in modo da intersecarsi con il primo.

## Taglio di ceppi (figg. K - M)

La procedura di taglio dipende dal sostegno che regge il ceppo.

Quando possibile, fare uso di un cavalletto. Iniziare sempre il taglio con la motosega accesa e la barra paraurti dentata (16) a contatto del legno (fig. K). Per completare il taglio, ricorrere all'azione rotante della barra paraurti dentata contro il legno.

### Ceppi sostenuti per l'intera lunghezza

- ◆ Praticare un taglio verso il basso, evitando di toccare il suolo per non smussare la lama della motosega.

### Ceppi sostenuti alle estremità:

- ◆ Tagliare, in primo luogo, un terzo del diametro verso il basso per evitare scheggiature, e poi tagliare di nuovo fino a raggiungere il primo intaglio.

### Ceppi sostenuti a un'estremità:

- ◆ Tagliare, in primo luogo, un terzo del diametro verso l'alto e poi tagliare verso il basso per evitare scheggiature.

### Quando ci si trova su un pendio (fig. L):

- ◆ Restare sempre sul lato alto del pendio.

### Quando si tenta di tagliare un ceppo che si trova a terra (fig. L):

- ◆ Fissarlo per mezzo di cunei o zeppe. L'operatore o gli astanti non devono tenere fermo il ceppo sedendosi o standoci sopra in piedi. Accertarsi che la motosega non venga a contatto del terreno.

### Uso di un cavalletto (fig. M):

Si suggerisce vivamente di adoperare un cavalletto quando possibile.

- ◆ Collocare il ceppo in posizione stabile. Tagliare sempre all'esterno dei bracci del cavalletto. Usare morse o fasce per fissare il pezzo da tagliare.

## Ricerca guasti

Problema	Possibile causa	Eventuale soluzione
L'elettrotensile non si accende	Pulsante di bloccaggio non premuto.	Premere il pulsante di bloccaggio.
	Protezione anteriore nella posizione di frenatura	Ripristinare la protezione anteriore
	Fusibile bruciato	Sostituire il fusibile
	Dispositivo RCD scattato	Controllare il dispositivo RCD
	Cavo di alimentazione non collegato	Controllare l'alimentazione di rete
La catena non si arresta immediatamente quando l'elettrotensile è spento	La catena è troppo allentata	Controllare la tensione della catena
La barra/catena sembrano essere calde/fumanti	Svuotare il serbatoio dell'olio	Controllare il livello del serbatoio dell'olio
	Foro di lubrificazione intasato sulla barra della catena	Pulire il foro di lubrificazione
	La catena è troppo tesa	Controllare la tensione della catena
	La punta dell'ingranaggio della barra di guida deve essere ingrassata	Oliare la punta dell'ingranaggio della barra di guida
La catena della motosega non taglia bene	La catena è stata montata all'incontrario	Controllare/modificare la direzione della catena
		Affilare
La motosega non usa olio	Impurità nel serbatoio	Svuotare l'olio dal serbatoio e sostituirlo
	Foro di lubrificazione nel tappo intasato	Eliminare le impurità dal foro
	Impurità sulla barra della catena	Eliminare le impurità e pulire la barra della catena
	Impurità nello scarico dell'olio	Eliminare le impurità

## Manutenzione

La manutenzione regolare garantisce la durata dell'utensile e le sue prestazioni. Si suggerisce di eseguire regolarmente i seguenti controlli.

**Attenzione!** Prima di eseguire interventi di manutenzione su elettrotensili con o senza filo, procedere come descritto di seguito.

- ◆ Spegner e scollegare l'elettrotensile dall'alimentazione elettrica.

## Livello dell'olio

Il livello dell'olio nel serbatoio non deve scendere di oltre un quarto del livello massimo.

## Catena motosega e barra di guida (fig. G)

- ◆ Dopo alcune ore d'uso e prima di riporre l'elettrotensile, smontare la barra di guida (7) e la catena (6) della motosega e pulirle a fondo.
- ◆ Accertarsi che la protezione sia pulita e priva di frammenti.
- ◆ In fase di rimontaggio, ruotare di 180° la barra di guida (7) e lubrificare la punta dell'ingranaggio attraverso l'apposito foro di lubrificazione (17). In questo modo il processo di usura avviene uniformemente lungo i binari della barra di guida.

## Affilatura della catena

Per ottenere prestazioni ottimali, è importante mantenere affilati i denti della catena della motosega.

Le istruzioni su come eseguire questa procedura sono riportate sulla confezione dell'affilatoio. A questo scopo si suggerisce di acquistare un kit di affilatura catene Black & Decker (disponibile presso i centri di assistenza e i rivenditori autorizzati Black & Decker).

## Sostituzione delle catene della motosega consumate

Le catene di ricambio della motosega sono disponibili presso i rivenditori o i centri di assistenza Black & Decker. Utilizzare esclusivamente pezzi di ricambio originali.

## Filo della catena

I taglienti della catena della motosega perdono immediatamente il filo se toccano il terreno o un chiodo durante il taglio.

## Tensione della catena della motosega

Controllare regolarmente la tensione della catena della motosega.

## Riparazione della motosega.

La motosega è stata fabbricata conformemente ai requisiti di sicurezza in vigore. Le riparazioni devono essere affidate esclusivamente a personale qualificato ed eseguite solo con pezzi di ricambio originali, per evitare di esporre gli operatori a

considerevoli rischi. Consigliamo di conservare il presente manuale d'uso in un luogo sicuro.

## Protezione dell'ambiente



Raccolta differenziata. Questo prodotto non deve essere smaltito con i normali rifiuti domestici..

Nel caso in cui l'elettrotensile Black & Decker debba essere sostituito o non sia più necessario, non smaltirlo con i normali rifiuti domestici. Metterlo da parte per la raccolta differenziata.



La raccolta differenziata dei prodotti e degli imballaggi utilizzati consente il riciclaggio dei materiali e il loro continuo utilizzo. Il riutilizzo dei materiali riciclati favorisce la protezione dell'ambiente prevenendo l'inquinamento e riduce il fabbisogno di materie prime.

Seguire la regolamentazione locale per la raccolta differenziata dei prodotti elettrici che può prevedere punti di raccolta o la consegna dell'elettrotensile al rivenditore presso il quale viene acquistato un nuovo prodotto.

Black & Decker offre ai propri clienti la possibilità di riciclare i prodotti Black & Decker che hanno esaurito la loro vita di servizio. Per usufruire di tale servizio, è sufficiente restituire il prodotto a qualsiasi tecnico autorizzato, incaricato della raccolta per conto dell'azienda.

Per individuare il tecnico autorizzato più vicino, rivolgersi alla sede Black & Decker locale, presso il recapito indicato nel presente manuale. Altrimenti, un elenco completo di tutti i tecnici autorizzati Black & Decker e i dettagli completi sui contatti e i servizi post-vendita sono disponibili su Internet all'indirizzo: [www.2helpU.com](http://www.2helpU.com)

## Dati tecnici

	GK1630T	GK1635T
	Typ. 5	Typ. 5
Lunghezza barra	cm 30	35
Tensione	V <sub>AC</sub> 230	230
Potenza assorbita	W 1600	1600
Velocità catena (senza carico)	m/s 8	8
Lunghezza di taglio max	cm 30	35
Capacità serbatoio olio	ml 180	180
Peso	kg 3.7	3.8
Classe di sicurezza	II	II

GK1640T	
Typ. 5	
Lunghezza barra	cm 40
Tensione	V <sub>AC</sub> 230
Potenza assorbita	W 1600
Velocità catena (senza carico)	m/s 8
Lunghezza di taglio max	cm 40
Capacità serbatoio olio	ml 180
Peso	kg 3.9
Classe di sicurezza	II

### Livello di pressione sonora misurato in base a EN 60745:

Pressione sonora (L<sub>PA</sub>) 92 dB(A), incertezza (K) 3 dB(A)

Potenza sonora (L<sub>WA</sub>) 103 dB(A), incertezza (K) 3 dB(A)

### Valori totali vibrazioni (somma vettoriale triassiale) in base a EN 60745:

Valore emissioni vibrazioni (A<sub>v</sub>) 5 m/s<sup>2</sup>, incertezza (K) 1,5 m/s<sup>2</sup>

## Dichiarazione di conformità CE

DIRETTIVA SUI MACCHINARI  
DIRETTIVA SULL'EMISSIONE SONORA IN AMBIENTE  
ESTERNO



GK1630T, GK1635T, GK1640T

Black & Decker dichiara che i prodotti descritti al paragrafo  
"Dati tecnici" sono conformi alle seguenti normative:

98/37/CE (fino al 28 dicembre 2009), 2006/42/CE  
(dal 29 dicembre 2009), EN 60745-1, EN 60745-2-13

2000/14/CE, catena motosega, Allegato V  
KEMA Quality B.V., Utrechtseweg 310, 6802 ED Arnhem,  
Paesi Bassi  
Organismo notificato ID n.: 0344

Livello di potenza acustica in base a 2000/14/CE (Articolo 13,  
Allegato III):

$L_{WA}$  (pressione sonora misurata) 103 dB(A)  
Incertezza = 3 dB(A)

$L_{WA}$  (pressione sonora garantita) 103 dB(A)  
Incertezza = 3 dB(A)

Questi prodotti sono inoltre conformi alla Direttiva 2004/108/  
CE.

Per ulteriori informazioni contattare Black & Decker al  
seguente indirizzo oppure consultare l'ultima di copertina del  
manuale.

Il sottoscritto è responsabile della redazione di questo  
documento tecnico e rilascia questa dichiarazione per conto di  
Black&Decker.

Kevin Hewitt  
Vice-President Global Engineering  
Black & Decker Europe, 210 Bath Road, Slough,  
Berkshire, SL1 3YD  
Regno Unito  
01-12-2009

## Garanzia

Certa della qualità dei suoi prodotti, Black & Decker offre una  
garanzia eccezionale. Il presente certificato di garanzia è  
complementare ai diritti legali e non li pregiudica in alcun  
modo. La garanzia è valida entro il territorio degli Stati membri  
dell'Unione Europea e dell'EFTA (European Free Trade Area).

Se un prodotto Black & Decker risulta difettoso per qualità del  
materiale, della costruzione o per mancata conformità entro  
24 mesi dalla data di acquisto, Black & Decker garantisce la  
sostituzione delle parti difettose, provvede alla riparazione dei  
prodotti se ragionevolmente usurati oppure alla loro  
sostituzione, in modo da ridurre al minimo il disagio del cliente  
a meno che:

- ◆ il prodotto non sia stato destinato a usi commerciali,  
professionali o al noleggio;
- ◆ il prodotto non sia stato usato in modo improprio o  
scorretto;
- ◆ il prodotto non abbia subito danni causati da oggetti o  
sostanze estranee oppure incidenti;
- ◆ il prodotto non abbia subito tentativi di riparazione non  
effettuati da tecnici autorizzati né dall'assistenza Black &  
Decker.

Per attivare la garanzia è necessario esibire la prova di  
acquisto al venditore o al tecnico autorizzato. Per individuare il  
tecnico autorizzato più vicino, rivolgersi alla sede Black &  
Decker locale, presso il recapito indicato nel presente  
manuale. Altrimenti, un elenco completo di tutti i tecnici  
autorizzati Black & Decker e i dettagli completi sui contatti e i  
servizi post-vendita sono disponibili su Internet all'indirizzo:  
**www.2helpU.com**

Visitare il sito web **www.blackanddecker.it** per registrare il  
nuovo prodotto Black & Decker e ricevere gli aggiornamenti  
sui nuovi prodotti e le offerte speciali. Ulteriori informazioni sul  
marchio e la gamma di prodotti Black & Decker sono  
disponibili all'indirizzo **www.blackanddecker.it**.

## Beoogd gebruik

Uw Black & Decker kettingzaag is ontwikkeld voor het snoeien en vellen van bomen en het zagen van blokken. Dit gereedschap is uitsluitend bestemd voor consumentengebruik.

## Veiligheidsinstructies

### Algemene veiligheidswaarschuwingen voor elektrisch gereedschap



**Waarschuwing!** Lees alle veiligheidswaarschuwingen en alle instructies. Wanneer de volgende waarschuwingen en voorschriften niet in acht worden genomen, kan dit een elektrische schok, brand of ernstig letsel tot gevolg hebben.

Bewaar alle waarschuwingen en instructies als referentiemateriaal. Het hierna gebruikte begrip 'elektrisch gereedschap' heeft betrekking op elektrische gereedschappen voor gebruik op de netspanning (met netsnoer) of op een accu (snoerloos).

#### 1. Veilige werkomgeving

- Houd uw werkomgeving schoon en opgeruimd. Een rommelige of slecht verlichte werkomgeving kan tot ongevallen leiden.
- Gebruik elektrisch gereedschap niet in een omgeving met explosiegevaar, zoals in de nabijheid van brandbare vloeistoffen, gassen of stof. Elektrisch gereedschap veroorzaakt vonken die het stof of de dampen tot ontsteking kunnen brengen.
- Houd kinderen en andere personen tijdens het gebruik van elektrisch gereedschap uit de buurt. Wanneer u wordt afgeleid, kunt u de controle over het apparaat verliezen.

#### 2. Elektrische veiligheid

- De netstekker van het gereedschap moet in het stopcontact passen. De stekker mag in geen geval worden omgebouwd. Gebruik geen adapterstekkers in combinatie met geaarde gereedschappen. Niet-omgebouwde stekkers en passende stopcontacten beperken het risico van een elektrische schok.
- Vermijd aanraking van het lichaam met geaarde oppervlakken, bijvoorbeeld buizen, verwarmingen, fornuizen en koelkasten. Er bestaat een verhoogd risico op een elektrische schok wanneer uw lichaam geaard is.
- Houd het gereedschap uit de buurt van regen en vocht. Het binnendringen van water in het elektrische gereedschap vergroot het risico van een elektrische schok.

- Gebruik het snoer niet voor een verkeerd doel. Gebruik het snoer niet om het gereedschap te dragen of te hangen of om de stekker uit het stopcontact te trekken. Houd het snoer uit de buurt van hitte, olie, scherpe randen of bewegende delen. Beschadigde of in de war geraakte snoeren vergroten het risico van een elektrische schok.
- Wanneer u buitenshuis met elektrisch gereedschap werkt, dient u alleen verlengsnoeren te gebruiken die zijn goedgekeurd voor gebruik buitenshuis. Het gebruik van een verlengsnoer dat geschikt is voor gebruik buitenshuis, beperkt het risico van een elektrische schok.
- Als u een elektrisch gereedschap moet gebruiken in een vochtige locatie, moet u een reststroomschakelaar (RCD) gebruiken. Met een aardlekschakelaar wordt het risico van een elektrische schok verkleind.

#### 3. Veiligheid van personen

- Blijf alert, let goed op wat u doet en ga met verstand te werk bij het gebruik van elektrische gereedschappen. Gebruik elektrisch gereedschap niet wanneer u moe bent of onder invloed van drugs, alcohol of medicijnen. Een moment van onoplettendheid bij het gebruik van het gereedschap kan leiden tot ernstige verwondingen.
- Draag persoonlijke beschermende uitrusting. Draag altijd een veiligheidsbril. Het dragen van een persoonlijke beschermende uitrusting zoals een stofmasker, slipvast werkschoenen, een veiligheidshelm of gehoorbescherming, afhankelijk van de aard en het gebruik van het elektrische gereedschap, vermindert het risico van verwondingen.
- Vorkom per ongeluk inschakelen. Controleer of de schakelaar in de uit-stand staat voordat u het gereedschap aansluit op het stopcontact en/of de accu en voordat u het gereedschap optilt of gaat dragen. Wanneer u bij het dragen van het gereedschap uw vinger op de schakelaar houdt of wanneer u het gereedschap per ongeluk inschakelt, kan dat leiden tot ongevallen.
- Verwijder instelgereedschappen of schroefslutels voordat u het gereedschap inschakelt. Een instelgereedschap of sleutel in een draaiend deel van het gereedschap kan leiden tot verwondingen.
- Reik niet te ver. Zorg er altijd voor dat u stevig staat en in evenwicht blijft. Daardoor kunt u het gereedschap beter onder controle houden in onverwachte situaties.
- Draag geschikte kleding. Draag geen loshangende kleding of sieraden. Houd haren, kleding en handschoenen uit de buurt van bewegende delen. Loshangende kleding, sieraden en lange haren kunnen door bewegende delen worden meegenomen.

g. Wanneer stofafzuigings- of stofopvangvoorzieningen kunnen worden gemonteerd, dient u zich ervan te verzekeren dat deze zijn aangesloten en juist worden gebruikt. Het gebruik van stofopvangvoorzieningen beperkt het gevaar door stof.

4. Gebruik en onderhoud van elektrisch gereedschap

a. Overbelast het gereedschap niet. Gebruik voor uw toepassing het daarvoor bestemde elektrische gereedschap. Met het geschikte elektrische gereedschap werkt u beter en veiliger binnen het aangegeven capaciteitsbereik.

b. Gebruik geen elektrisch gereedschap waarvan de schakelaar defect is. Elektrisch gereedschap dat niet meer kan worden in- of uitgeschakeld, is gevaarlijk en moet worden gerepareerd.

c. Trek de stekker uit het stopcontact en/of de accu uit het elektrisch gereedschap voordat u het gereedschap instelt, toebehoren wisselt of het gereedschap opbergt. Met deze voorzorgsmaatregel voorkomt u onbedoeld starten van het gereedschap.

d. Bewaar niet-gebruikte elektrische gereedschappen buiten bereik van kinderen. Laat het gereedschap niet gebruiken door personen die er niet vertrouwd mee zijn en deze aanwijzingen niet hebben gelezen. Elektrische gereedschappen zijn gevaarlijk wanneer deze worden gebruikt door onervaren personen.

e. Onderhoud het gereedschap zorgvuldig. Controleer of bewegende delen van het gereedschap correct functioneren en niet klemmen, en of er onderdelen zodanig zijn gebroken of beschadigd dat de werking van het gereedschap nadelig wordt beïnvloed. Laat beschadigde delen repareren voordat u het gereedschap gebruikt. Veel ongevallen worden veroorzaakt door slecht onderhouden elektrisch gereedschap.

f. Houd snijdende inzetgereedschappen scherp en schoon. Zorgvuldig onderhouden snijdende inzetgereedschappen met scherpe snijkanten klemmen minder snel vast en zijn gemakkelijker te geleiden.

g. Gebruik elektrische gereedschappen, toebehoren, inzetgereedschappen en dergelijke volgens deze aanwijzingen. Let daarbij op de arbeidsomstandigheden en de uit te voeren werkzaamheden. Het gebruik van elektrische gereedschappen voor andere dan de bedoelde toepassingen kan leiden tot gevaarlijke situaties.

5. Service

a. Laat het gereedschap alleen repareren door **gekwalificeerd en vakkundig personeel en alleen met originele vervangingsonderdelen**. Daarmee wordt de veiligheid van het gereedschap gewaarborgd.

Aanvullende veiligheidswaarschuwingen voor elektrisch gereedschap



**Waarschuwing!** Aanvullende veiligheidswaarschuwingen voor kettingzagen

- ◆ Houd alle lichaamsdelen uit de buurt van de zaagketting terwijl de kettingzaag in bedrijf is. Controleer voordat u de kettingzaag start of de zaagketting vrij kan draaien. Een moment van onoplettendheid bij het gebruik van de kettingzaag kan ertoe leiden dat kledingstukken of lichaamsdelen in de kettingzaag verstrikt raken.
- ◆ Houd altijd uw rechterhand op de achterste handgreep van de kettingzaag en uw linkerhand op de voorste handgreep. Houd de kettingzaag nooit anders beet, aangezien hierdoor het gevaar voor lichamelijk letsel toeneemt.
- ◆ Draag een veiligheidsbril en gehoorbeschermers. Ook beschermende uitrusting voor hoofd, handen, benen en voeten wordt aanbevolen. Een adequaat beschermende kleding verkleint eventueel letsel door rondvliegende snippers of ongewild contact met de zaagketting.
- ◆ Gebruik de kettingzaag niet terwijl u zich in een boom bevindt. Dit kan lichamelijk letsel tot gevolg hebben.
- ◆ Zorg er altijd voor dat u stevig staat en gebruik de kettingzaag alleen wanneer u op een stabiel, veilig en horizontaal vlak staat. Bij gladde of instabiele vlakken (zoals ladders) kunt u uw evenwicht of de controle over de kettingzaag verliezen.
- ◆ Wees er bedacht op dat takken die onder spanning staan, kunnen terugveren wanneer u deze doorzaagt. Zodra de spanning in de houtvezels vrijkomt, kunt u door de tak worden geraakt en/of de controle over de kettingzaag verliezen.
- ◆ Ga zeer voorzichtig te werk bij het zagen van struikgewas of jong hout. Het dunne materiaal kan in de zaagketting vast komen te zitten en naar u toe zwiepen of u uit balans trekken.
- ◆ Draag de kettingzaag aan de voorste handgreep, in uitgeschakelde toestand en van uw lichaam af gericht. Plaats altijd de kap over het zwaard als u de kettingzaag vervoert of bewaart. Een correct gebruik van de kettingzaag verkleint de kans op een ongewild contact met de bewegende zaagketting.
- ◆ Volg de instructies voor het smeren en spannen van de ketting, en het vervangen van accessoires nauwgezet op. Een onjuist gespannen of gesmeerde ketting kan breken en vergroot de kans op terugslag.

- ◆ Houd de handvatten droog, schoon en vrij van olie en vet. Vettige handvatten zijn glad, waardoor u de controle over het gereedschap kunt verliezen.
- ◆ **Zaag uitsluitend hout. Gebruik de kettingzaag niet voor doeleinden waarvoor deze niet bestemd is.** Bijvoorbeeld: Gebruik de kettingzaag niet voor het zagen van kunststof, metselwerk of bouwmaterialen die niet van hout zijn. Gebruik voor andere doeleinden dan waarvoor de kettingzaag bestemd is, kan leiden tot gevaarlijke situaties.
- ◆ Plaats het snoer zo dat het snoer tijdens het zagen niet achter een tak of iets dergelijks blijft haken.
- ◆ De gekartelde stootrand (16) kan scherp worden naarmate u het apparaat langer gebruikt. Let hier goed op.
- ◆ De kettinggeleider kan heet worden tijdens het zagen. Let hier goed op.

### Oorzaken en voorkoming van terugslag

Er kan terugslag optreden wanneer de punt van het zwaard op een voorwerp stoot of het hout terugveert en de zaagketting in de zaagsnede klem komt te zitten.

Als de punt een voorwerp raakt, kan het zwaard plotseling omhoog en naar achter slaan in de richting van uw lichaam. Wanneer de zaagketting aan de bovenzijde van het zwaard klem komt te zitten, kan het zwaard snel achterwaarts in de richting van uw lichaam worden geduwd.

Door deze beide reacties kunt u de controle over de kettingzaag verliezen en ernstig lichamelijk letsel oplopen. Vertrouw niet uitsluitend op de ingebouwde veiligheidsvoorzieningen van de kettingzaag. Als gebruiker van de kettingzaag kunt u ook zelf het nodige doen om ongevallen of letsel tijdens de zaagwerkzaamheden te voorkomen.

Terugslag is het gevolg van het verkeerde gebruik of onjuiste gebruiksomstandigheden van het gereedschap. Met geschikte voorzorgsmaatregelen, zoals hieronder zijn beschreven, kan terugslag worden voorkomen.

- ◆ **Zorg voor een stevige grip door uw duimen en vingers om de handgrepen te sluiten.** Houd de kettingzaag met beide handen vast en houd uw lichaam en armen zodanig dat u weerstand kunt bieden aan de terugslagkrachten. Met geschikte voorzorgsmaatregelen kunt u de terugslagkrachten onder controle houden. Laat de kettingzaag niet los.
- ◆ **Reik niet te ver en zaag niet boven schouderhoogte.** Dit voorkomt ongewild contact met de punt en zorgt ervoor dat u de kettingzaag in onverwachte situaties beter onder controle kunt houden.
- ◆ **Gebruik uitsluitend door de fabrikant aanbevolen vervangingsonderdelen.** Onjuiste zwaarden en kettingen kunnen kettingbreuk of terugslag veroorzaken.

- ◆ **Volg voor de zaagketting de slijp- en onderhoudsinstructies van de fabrikant.** Verkleining van de dieptemaat kan tot meer terugslag leiden.
- ◆ Het raken van metaal, cement of andere harde materialen in of in de buurt van het hout kan terugslag veroorzaken.
- ◆ Een botte of losse ketting kan terugslag veroorzaken.
- ◆ Steek de zaag niet in een vorige zaagsnede. Dit kan een terugslag veroorzaken. Maak elke keer een nieuwe zaagsnede.

### Veiligheidsaanbevelingen voor de kettingzaag

- ◆ Onervaren gebruikers wordt sterk aangeraden een ervaren gebruiker om praktische instructies over het gebruik van de kettingzaag en veiligheidsuitrusting te vragen. De eerste ervaringen kunnen het beste worden opgedaan met het zagen van stammen op een zaagbok of montageframe.
- ◆ Controleer voor gebruik altijd of de terugslagrem goed werkt.
- ◆ Draag de kettingzaag uitsluitend met geactiveerde kettingrem en de zaagketting naar achteren gericht.
- ◆ Onderhoud uw kettingzaag als u deze niet gebruikt. Berg de kettingzaag niet op zonder dat u eerst de ketting en het zwaard uit de zaag hebt verwijderd en ondergedompeld in olie hebt bewaard. Bewaar alle onderdelen van uw kettingzaag op een droge, veilige plaats, buiten bereik van kinderen.
- ◆ Laat het oliereservoir leeglopen voordat u de kettingzaag opbergt.
- ◆ Zorg dat u stevig staat en zoek van tevoren naar een veilige uitweg voor vallende bomen of takken.
- ◆ Maak gebruik van wiggen om controle te houden over het kapproces en om te voorkomen dat de ketting en het zwaard in de zaagsnede vast komen te zitten.
- ◆ Onderhoud de zaagketting. Houd de zaagketting scherp en zorg dat deze stevig tegen het zwaard ligt. Zorg dat de zaagketting en het zwaard schoon en goed geolied zijn. Houd de handvatten droog, schoon en vrij van olie en vet.

### Zaag niet

- ◆ In geprepareerd hout.
- ◆ In de grond.
- ◆ In gaasafasteringen, spijkers, enz.

### Trilling

De aangegeven waarden voor trillingsemmissie in de technische gegevens en de conformiteitsverklaring zijn gemeten conform een standaardtestmethode die door EN 60745 wordt geboden. Hiermee kan het ene gereedschap met het andere worden vergeleken. De aangegeven waarde voor trillingsemmissie kan ook worden gebruikt bij een voorlopige bepaling van blootstelling.



**Waarschuwing!** De waarde voor trillingsemisatie tijdens het werkelijke gebruik van het gereedschap kan verschillen van de aangegeven waarde afhankelijk van de manieren waarop het gereedschap wordt gebruikt. Het trillingsniveau kan hoger worden dan het aangegeven niveau.



**Waarschuwing!** Ondanks een dergelijke schakelaar of andere stroomonderbreker moeten de veiligheidsinstructies en -procedures uit deze gebruikersaanwijzing overigens nog steeds worden opgevolgd.

Wanneer de blootstelling aan trillingen wordt vastgesteld teneinde veiligheidsmaatregelen te bepalen die worden vereist door 2002/44/EC ter bescherming van personen die tijdens hun werk regelmatig elektrische gereedschappen gebruiken, moet bij een schatting van de blootstelling aan trillingen rekening worden gehouden met de werkelijke omstandigheden van het gebruik en de manier waarop het gereedschap wordt gebruikt. Daarbij moet ook rekening worden gehouden met alle stappen in de gebruikscyclus, zoals het moment waarop het gereedschap wordt uitgeschakeld en wanneer het gereedschap stationair loopt alsook de aanlooptijd.

## Elektrische veiligheid



Dit gereedschap is dubbel geïsoleerd. Een aardaansluiting is daarom niet noodzakelijk. Controleer altijd of uw netspanning overeenkomt met de waarde op het typeplaatje.

- ◆ Als het netsnoer is beschadigd, moet dit worden vervangen door de fabrikant of een Black & Decker-servicecentrum om gevaren te voorkomen.

## Een verlengsnoer gebruiken

- ◆ Gebruik altijd een goedgekeurd verlengsnoer dat geschikt is voor het ingangsvermogen van deze machine (zie de technische gegevens). De verlengkabel moet geschikt zijn voor gebruik buitenshuis en dient als zodanig te zijn gemarkeerd. Er kan een HO7RN-F 2 X verlengkabel van 1,5 mm<sup>2</sup> van maximaal 30 m lang worden gebruikt zonder dat de prestaties van het gereedschap verminderen. Controleer het verlengsnoer vóór gebruik op tekenen van beschadiging, slijtage of veroudering. Vervang het verlengsnoer indien het beschadigd of defect is. Als u een haspel gebruikt, rolt u het snoer altijd helemaal af.

## Bescherming tegen elektrische schok

- ◆ Vermijd aanraking met geaarde oppervlakken (bijv. metalen relingen, lantaarpalen, enz.). Verhoog de elektrische veiligheid eventueel verder met behulp van een hooggevoelige (30 mA/30 mS) reststroomschakelaar (RCD).

## Aanvullende veiligheidsinstructies

- ◆ Dit apparaat mag niet worden gebruikt door personen (waaronder kinderen) die lichamelijk of geestelijk mindervalide zijn of die geen ervaring met of kennis van dit apparaat hebben, tenzij ze onder toezicht staan of instructies krijgen wat betreft het gebruik van het apparaat van een persoon die verantwoordelijk is voor hun veiligheid.
- ◆ Houd toezicht op kinderen om ervoor te zorgen dat zij niet met het apparaat gaan spelen.
- ◆ Zorg dat er iemand in de buurt (maar op veilige afstand) is voor het geval er zich een ongeluk voordoet.
- ◆ Zorg dat de kettingzaag niet meer op de netspanning is aangesloten wanneer u de zaagketting om bepaalde redenen moet aanraken.
- ◆ Het geluidsniveau van dit product kan meer dan 85 dB(A) bedragen. Het is daarom raadzaam om adequate maatregelen te nemen om uw gehoor te beschermen.

## Overige risico's.

Er kunnen zich tijdens het gebruik van het gereedschap ook andere risico's voordoen die misschien niet in de bijgevoegde veiligheidswaarschuwingen worden vermeld. Deze risico's kunnen zich voordoen als gevolg van onoordeelkundig gebruik, langdurig gebruik, enz.

Zelfs als de veiligheidsvoorschriften in acht worden genomen en de veiligheidsvoorzieningen worden geïmplementeerd, kunnen bepaalde risico's niet worden vermeden. Deze omvatten:

- ◆ **Verwondingen die worden veroorzaakt door het aanraken van draaiende of bewegende onderdelen.**
- ◆ **Verwondingen die worden veroorzaakt bij het vervangen van onderdelen, bladen of accessoires.**
- ◆ **Verwondingen die worden veroorzaakt door langdurig gebruik van het gereedschap. Als u langere periodes met het gereedschap werkt, is het raadzaam om regelmatig een pauze in te lassen.**
- ◆ **Gehoorschadiging.**
- ◆ **Gezondheidsrisico's als gevolg van het inademen van stof dat door gebruik van het gereedschap wordt veroorzaakt (bijvoorbeeld tijdens het werken met hout, vooral eiken, beuken en MDF.)**

## Labels op het gereedschap

Het gereedschap is voorzien van de volgende pictogrammen:



**Waarschuwing!** De gebruiker moet de instructiehandleiding lezen om het risico op letsel te verminderen.



Draag altijd oor- en oogbescherming



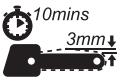
Het apparaat mag niet aan regen of hoge vochtigheid blootgesteld worden



Trek altijd de stekker uit het stopcontact voordat u een beschadigd snoer inspecteert. Gebruik de kettingzaag niet als de kabel is beschadigd.



Richtlijn 2000/14/EC gegarandeerd geluidsvermogen.



Voor een continu veilig gebruik controleert u na elke 10 minuten gebruik de kettingspanning zoals beschreven in deze handleiding en stelt u de ketting opnieuw af op een speling van 3 mm, indien nodig.

## Onderdelen

1. Aan/uit-schakelaar
2. Ontgrendelingsknop
3. Oliedop
4. Beschermkap/kettingrem
5. Oliepeilaanwijzer
6. Ketting
7. Zwaard
8. Beschermkap
9. Functiebedieningsknop
10. Kettingbeschermer

## Montage



**Waarschuwing!** Draag altijd beschermende handschoenen wanneer u aan de kettingzaag werkt.



**Waarschuwing!** Als u onderhoud gaat uitvoeren aan elektrisch gereedschap, moet u het apparaat eerst uitschakelen en de stekker uit het stopcontact halen.

## Ketting oliën

Als u een nieuwe ketting (6) voor de eerste keer gebruikt, moet u deze oliën. Week de nieuwe ketting (6) minimaal één uur in kettingolie voordat u deze gebruikt. Gebruik Black & Decker kettingolie.

Het is raadzaam om tijdens de levensduur van uw kettingzaag alleen olie van Black & Decker te gebruiken. De reden hiervoor is dat mengsels van verschillende oliën de kwaliteit van de olie kunnen verslechteren. Dit heeft tot gevolg dat de zaagketting veel korter meegaat en er extra veiligheidsrisico's ontstaan.

Gebruik nooit afvalolie, dikke olie of zeer dunne naaimachineolie. Deze kunnen uw kettingzaag beschadigen.

## Het kettingzwaard en de ketting installeren.

### (fig. A - E)

- ◆ Plaats de kettingzaag op een stabiele ondergrond.
- ◆ Zet de beschermkap/kettingrem in de voorste stand (fig. D).
- ◆ D Draai de functiebedieningsknop (9) (fig. A) helemaal los..
- ◆ Verwijder de kettingbeschermer (10).
- ◆ Plaats de ketting (6) over het zwaard (7) en zorg ervoor dat de zaagtanden aan de bovenkant van het zwaard (7) naar voren wijzen (fig. B).
- ◆ Leid de ketting (6) om het zwaard (7) en trek deze aan zodat aan de achterkant van het zwaard (7) een lus naar één zijde ontstaat.
- ◆ L Leid de ketting (6) om het aandrijfkettingwiel (12). Plaats het zwaard (7) op de verbindingbouten (13) (fig. E).

**Waarschuwing!** Zorg ervoor dat de beschermkap/kettingrem (4) zich in de instelstand (voorste stand) bevindt voordat u deze opnieuw aanbrengt (fig. C).

- ◆ Plaats de kettingbeschermer pas als de nok (11) (fig. B) zich in de juiste positie bevindt. Druk indien nodig de functiebedieningsknop (9) in en draai deze rechtsom om de nok in de juiste positie te zetten.
- ◆ Plaats de kettingbeschermer met de bout en gebruik de functiebedieningsknop (9) om de bout handvast aan te draaien..
- ◆ Om de ketting op spanning te brengen, draait u de functiebedieningsknop één slag naar links, drukt u de knop stevig in en draait u naar rechts. Controleer terwijl het zwaard naar voren beweegt of de tanden van de ketting in de kettinggeleider worden gevoerd.
- ◆ Laat de functiebedieningsknop terugspringen naar de uitgangspositie en draai weer naar rechts om de kettinggeleider op spanning te zetten. Stel deze niet te strak af.

- ◆ Controleer de kettingspanning zoals hierna beschreven.

## De kettingspanning controleren en afstellen (fig. G)

Voor gebruik, en na iedere 10 minuten gebruik, dient u de kettingspanning te controleren.

- ◆ Koppel het gereedschap los van de netspanning.
- ◆ Trek licht aan de ketting (6) (zie de inzet van fig. G). De spanning is juist als de ketting (6) terugspringt nadat u deze 3 mm van het zwaard (7) af hebt getrokken. De ketting (6) mag niet "doorzakken" aan de onderzijde van het zwaard (7).

**Opmerking:** Stel de zaagketting niet te strak af. Dit leidt tot overmatige slijtage en beperkt de levensduur van het kettingzwaard en de zaagketting.

**Opmerking:** Wanneer de ketting nieuw is, moet u de spanning tijdens de eerste 2 gebruiksuren regelmatig (na ont koppeling van de netspanning) controleren, aangezien een nieuwe ketting enigszins uitzet.

## De spanning verhogen

- ◆ Draai de functiebedieningsknop één slag naar links, druk de knop stevig in en draai naar rechts totdat de gewenste spanning is bereikt. Controleer terwijl het zwaard naar voren beweegt of de tanden van de ketting in de kettinggeleider worden gevoerd.
- ◆ Laat de functiebedieningsknop terugspringen naar de uitgangspositie en draai weer naar rechts om de kettinggeleider op spanning te zetten. Stel deze niet te strak af.

## Gebruik

**Waarschuwing!** Laat het gereedschap in zijn eigen tempo werken. Niet overbelasten.

## Oliereservoir vullen (fig. F)

- ◆ Verwijder de oliedop (3) en vul het reservoir met de aanbevolen kettingolie. U kunt het oliepeil controleren met de oliepeilindicator (5). Plaats de oliedop (3) terug.
- ◆ Schakel de zaag regelmatig uit en controleer vervolgens de oliepeilindicator (5). Neem de stekker van de kettingzaag uit het stopcontact en vul het reservoir met de juiste olie bij zodra de indicator op minder dan een kwart staat.

## Inschakelen

**Opmerking:** U kunt de zaag pas inschakelen als de beschermkap/kettingrem weer in de instelpositie staat.

- ◆ Grijp uw kettingzaag met beide handen stevig vast. Druk de ontgrendelingsknop (2) in en druk vervolgens op de aan/uit-schakelaar (1) om te starten.
- ◆ Neem uw duim van de vergrendelingsknop (2) en grijp de handgreep stevig vast zodra de motor is gestart.

Oefen geen druk uit op het gereedschap. Laat de zaag het werk doen. U kunt beter en veiliger werken als u de snelheid gebruikt waarvoor het gereedschap is ontwikkeld. Bij te veel kracht kan de zaagketting (6) uitrekken.

## Kettingrem afstellen (fig. C)

- ◆ Zorg dat het gereedschap niet op de netspanning is aangesloten.
- ◆ Trek de beschermkap/kettingrem (4) naar achter in de instelstand (fig. C).
- ◆ Het gereedschap is nu klaar voor gebruik.

## Werking van de kettingrem tegen terugslag

Bij een terugslag komt uw linkerhand in aanraking met de beschermkap en drukt deze naar voren in de richting van het werkstuk. Het gereedschap stopt binnen een seconde.

## Vertragingkettingrem testen (fig. C)

- ◆ Controleer voor gebruik altijd of de terugslagrem goed werkt.
- ◆ Pak het gereedschap met beide handen stevig vast terwijl u op een stabiele ondergrond staat. Zorg dat de zaagketting (6) vrij van de grond is en schakel de zaag in (zie: "Kettingzaag inschakelen").
- ◆ Draai uw linkerhand naar voren rond de voorste handgreep, zodat de achterzijde van uw hand met de beschermkap/kettingrem (4) in aanraking komt en deze naar voren, in de richting van het werkstuk duwt (fig. C). De zaagketting (6) moet binnen enkele fracties van een seconde stoppen.

Als u de beschermkap/kettingrem (4) na activering wilt deactiveren, volgt u de instructies in het gedeelte "Kettingrem afstellen".

**Opmerking:** Start de zaag pas opnieuw als de motor volledig tot rust is gekomen.

**Opmerking:** Als de rem niet goed werkt, brengt u het gereedschap naar een erkend servicecentrum van Black & Decker.

## Als de zaagketting (6) of het zwaard (7) vast komt te zitten

- ◆ Schakel het gereedschap uit.
- ◆ Koppel het gereedschap los van de netspanning.
- ◆ Open de snede met wiggen om de spanning van het zwaard (7) weg te nemen. Probeer de kettingzaag niet los te wrikken.
- ◆ Ga verder met een nieuwe zaagsnede.

## Vellen (fig. H - J)

Onervaren gebruikers kunnen beter niet proberen om bomen te vellen. Er kan letsel of materiële schade optreden als de boom in de verkeerde richting valt of versplintert, of als er beschadigde/dode takken tijdens het zagen omlaag vallen.

De veilige afstand tussen een te vellen boom en omstanders, gebouwen en andere objecten is ten minste 2 ½ keer de hoogte van de boom. Elke omstander en elk gebouw of voorwerp binnen deze afstand loopt het gevaar om geraakt te worden door de vallende boom.

#### **Voordat u een boom velt:**

- ◆ Controleer of er geen wetten of voorschriften zijn die het vellen van de boom verbieden.
- ◆ Houd rekening met alle factoren die de valrichting kunnen beïnvloeden, zoals:
  - De beoogde valrichting.
  - De natuurlijke overhelling van de boom.
  - Een verdikking of rotte plek.
  - Omstaande bomen en obstakels zoals bovengrondse kabels en ondergrondse afvoeren.
  - De richting en kracht van de wind.

Plan van tevoren een veilige uitweg, uit de buurt van vallende bomen of takken. Zorg dat de vluchtweg vrij is van obstakels die u kunnen hinderen. Bedenk dat nat gras en vers gezaagde boomschors glad zijn.

- ◆ Vel geen bomen waarvan de stamdiameter groter is dan de zaaglengte van de kettingzaag.
- ◆ Maak een inkeping om de valrichting te bepalen.
- ◆ Maak hiervoor aan de voet van de boom haaks op de vallijn een horizontale snede tot een diepte van 1/5e tot 1/3e van de stamdiameter (fig. H).
- ◆ Maak vervolgens van bovenaf onder een hoek van circa 45° een tweede snede die het einde van de eerste snede kruist en zo de inkeping vormt.
- ◆ Maak hierna vanaf de andere zijde 2,5 tot 5 centimeter boven het midden van deze inkeping een enkele horizontale snede (fig. I). Zaag niet helemaal tot aan de inkeping, aangezien u hierdoor de controle over de valrichting kunt verliezen.
- ◆ Sla een of meer wiggen in de zaagsnede om deze te openen en de boom om te laten vallen (fig. J).

#### **Bomen snoeien**

Controleer of er geen wetten of voorschriften zijn die het snoeien van de boomtakken verbieden.)Snoei alleen als u al wat meer ervaring met de zaag hebt opgedaan. Hierbij bestaat namelijk een grotere kans dat de zaagketting klem komt te zitten en terugslaat.

#### **Houd vóór het snoeien rekening met alle voorwaarden die de valrichting kunnen beïnvloeden, waaronder:**

- ◆ De lengte en het gewicht van de te zagen tak.
- ◆ Een verdikking of rotte plek.
- ◆ Andere bomen of obstakels zoals bovengrondse kabels.
- ◆ De richting en kracht van de wind.
- ◆ Vervlechtingen van de tak met andere takken.

Houd rekening met de toegankelijkheid van de tak en de valrichting. Takken hebben de neiging om naar de boomstam te zwaaien. Behalve de gebruiker loopt elke omstander, elk object of elk gebouw onder de tak gevaar.

- ◆ Maak ter voorkoming van versplintering de opwaartse eerste snede tot een diepte van maximaal eenderde van de takdiameter.
- ◆ Maak vervolgens een neerwaartse tweede snede tot aan de eerste.

#### **Blokken zagen (fig. K - M)**

De manier van zagen is afhankelijk van de ondersteuning van het blok.

Maak zo mogelijk gebruik van een zaagbok. Begin een zaagsnede altijd terwijl de zaagketting draait en de gekartelde stootrand (16) het hout raakt (fig. K). Maak met de gekartelde stootrand draaibewegingen tegen het hout.

#### **Bij ondersteuning over de volle lengte:**

- ◆ Zaag in neerwaartse richting, maar zorg dat u de grond niet raakt, want hierdoor wordt uw zaag snel bot.

#### **Bij ondersteuning aan beide uiteinden:**

- ◆ Zaag eerst tot eenderde omlaag om versplintering te voorkomen en vervolgens nogmaals tot aan de eerste snede.

#### **Bij ondersteuning aan één uiteinde:**

- ◆ Zaag eerst tot eenderde omhoog en vervolgens omlaag om versplintering te voorkomen.

#### **Zagen op een helling (fig. L):**

- ◆ Ga altijd heuvelopwaarts van het werk staan.

#### **Als u het blok op de grond wilt zagen (fig. L):**

- ◆ Zet het werkstuk met klampen of wiggen vast. Ga niet op het blok staan of zitten om het blok stabiel te houden. Vraag dit ook niet aan anderen. Zorg ervoor dat de zaagketting de grond niet raakt.

#### **Bij gebruik van een zaagbok (fig. M):**

Het wordt sterk aanbevolen om indien mogelijk een zaagbok te gebruiken.

- ◆ Plaats het blok in een stabiele positie. Zaag altijd aan de buitenkant van de armen van de zaagbok. Zet het werkstuk met klemmen of riemen vast.

## Problemen oplossen

Probleem	Mogelijke oorzaak	Mogelijke oplossing
Apparaat start niet	Vergrendelingsknop niet ingedrukt	Druk de vergrendelingsknop in
	Beschermkap in de remstand	Plaats de beschermkap in de juiste stand
	Zekering is gesprongen	Vervang de zekering
	De RCD (reststroomschakelaar) is uitgeschakeld	Controleer de RCD
	Netsnoer is niet aangesloten	Controleer de netspanningstoelvoer
De ketting stopt niet meteen als het gereedschap wordt uitgeschakeld	De ketting is te slap afgesteld	Controleer de spanning
Het zwaard en/of de ketting is zeer heet/er komt rook af	Het oliereservoir is leeg	Controleer het oliepeil
	Het oliegaatje in de kettinggeleider is verstopt	Reinig het oliegaatje
	De ketting is te strak gespannen	Controleer de spanning
	De neus van het aandrijfkettingwiel van het zwaard moet worden gesmeerd	Olie de neus van het aandrijfkettingwiel van het zwaard
De kettingzaag zaagt niet goed	De ketting is achterstevoren gemonteerd	Controleer/wijzig de richting van de ketting
		Slijp de zaag
De kettingzaag verbruikt geen olie	Olie in het reservoir is verontreinigd	Tap de olie af en vul het reservoir met schone olie
	Het oliegaatje in de dop is verstopt	Maak het gaatje schoon
	De kettinggeleider is vies	Reinig de kettinggeleider
	Het olieafvoergaatje is verstopt	Reinig het gaatje

## Onderhoud

Wanneer u de zaag regelmatig onderhoudt, kunt u deze lang gebruiken. Controleer regelmatig de volgende zaken.

**Waarschuwing!** Doe altijd het volgende voordat u onderhouds- of reinigingswerkzaamheden aan elektrisch gereedschap uitvoert:

- ◆ Zet het gereedschap uit en haal de stekker uit het stopcontact.

## Oliepeil

Het peil in het reservoir mag niet onder een kwart komen.

## Zaagketting en zwaard (fig. G)

- ◆ Verwijder telkens na enkele uren gebruik de zaagketting (6) en het zwaard (7), en reinig deze grondig. Doe dit ook als u het gereedschap gaat opbergen.
- ◆ Zorg dat de beschermkap schoon is en dat er geen zaagafval op zit.
- ◆ Wanneer u de onderdelen weer monteert, moet het zwaard (7) 180° worden gedraaid en moet de neus van het aandrijfkettingwiel via het tandwielsmeergat (17) worden gesmeerd. Hierdoor wordt de slijtage gelijkmatig over de zwaardrails verdeeld.

## Zaagketting slijpen

Voor optimale prestaties van het gereedschap moet u de tanden van de zaagketting scherp houden. Richtlijnen voor deze procedure vindt u op de verpakking van de slijper. Wij raden u aan de Black & Decker kettingslijpset aan te schaffen (verkrijgbaar bij servicecentra van Black & Decker en geselecteerde dealers).

## Versleten ketting vervangen

Reservekettingen zijn verkrijgbaar in de detailhandel of bij Black & Decker-servicecentra. Gebruik alleen reserveonderdelen van Black & Decker.

## Scherpte van zaagketting

De zaagtanden worden direct bot als deze tijdens het zagen de grond of een spijker raken.

## Spanning van zaagketting

Controleer regelmatig de kettingspanning.

## Reparatie van de kettingzaag

Uw kettingzaag voldoet aan de geldende veiligheidsnormen. Reparaties mogen uitsluitend worden uitgevoerd door bevoegde vaklieden en met behulp van originele reserveonderdelen. Niet-naleving van deze regel kan aanzienlijk gevaar voor de gebruiker opleveren. Bewaar deze gebruiksaanwijzing op een veilige plaats.

## Milieu



Aparte inzameling. Dit product mag niet met normaal huishoudelijk afval worden weggegooid.

Mocht u op een dag constateren dat het Black & Decker-product aan vervanging toe is of dat u het apparaat niet meer nodig hebt, gooi het product dan niet bij het restafval. Het product valt onder de categorie voor elektrische apparaten.



Gescheiden inzameling van gebruikte producten en verpakkingsmaterialen maakt het mogelijk materialen te recyclen en opnieuw te gebruiken. Hergebruik van gerecycleerde materialen zorgt voor minder milieuvuiling en dringt de vraag naar grondstoffen terug.

Totale trillingswaarden (som triaxvector) volgens EN 60745:

Waarde trillingsemisatie ( $a_{11}$ ) 5  $m/s^2$ , onzekerheid (K) 1,5  $m/s^2$

## EG-conformiteitsverklaring

RICHTLIJN MACHINERIEËN  
RICHTLIJN VOOR GELUID BUITENSHUIS



GK1630T, GK1635T, GK1640T

Black & Decker verklaart dat deze producten, die zijn beschreven onder "Technische gegevens", voldoen aan:

98/37/EG (tot 28 dec. 2009), 2006/42/EG  
(vanaf 29 dec. 2009), EN 60745-1, EN 60745-2-13

2000/14/EG, Kettingzaag, bijlage V  
KEMA Quality B.V., Utrechtseweg 310, 6802 ED Arnhem,  
Nederland  
Aangemelde instantie ID Nr.: 0344

Niveau van akoestisch vermogen volgens 2000/14/EG  
(Artikel 13, bijlage III):

$L_{WA}$  (gemeten geluidsvermogen (103 dB(A))  
Onzekerheid = 3 dB(A)

$L_{WA}$  (gegarandeerd geluidsvermogen (103 dB(A))  
Onzekerheid = 3 dB(A)

Deze producten voldoen tevens aan richtlijn 2004/108/EG.  
Neem voor meer informatie contact op met Black & Decker op  
het volgende adres of raadpleeg de achterzijde van de  
handleiding.

Ondergetekende is verantwoordelijk voor de compilatie van  
het technische bestand en geeft deze verklaring namens  
Black&Decker af.

Kevin Hewitt

Vice-President Global Engineering  
Black & Decker Europe, 210 Bath Road, Slough,  
Berkshire, SL1 3YD  
Verenigd Koninkrijk  
01-12-2009

Plaatselijke verordeningen kunnen voorzien in gescheiden inzameling van huishoudelijke elektrische producten via gemeentelijke stortplaatsen of via de leverancier bij wie u een nieuw product aanschaft.

Black & Decker biedt de mogelijkheid tot het recyclen van afgedankte Black & Decker-producten. Om gebruik te maken van deze service, dient u het product naar een van onze servicecentra te sturen, die de inzameling voor ons verzorgen.

U kunt het adres van het dichtstbijzijnde servicecentrum opvragen via de adressen op de achterzijde van deze handleiding. U kunt ook een lijst van onze servicecentra en meer informatie m.b.t. onze klantenservice vinden op het volgende internetadres: [www.2helpU.com](http://www.2helpU.com)

### Technische gegevens

		GK1630T	GK1635T
		Typ. 5	Typ. 5
Lengte zwaard	cm	30	35
Spanning	$V_{AC}$	230	230
Ingangsvermogen	W	1600	1600
Kettingsnelheid (onbelast)	m/s	8	8
Maximale lengte zaagsnede	cm	30	35
Olie-inhoud	ml	180	180
Gewicht	kg	3.7	3.8
Veiligheidsklasse		II	II

		GK1640T
		Typ. 5
Lengte zwaard	cm	40
Spanning	$V_{AC}$	230
Ingangsvermogen	W	1600
Kettingsnelheid (onbelast)	m/s	8
Maximale lengte zaagsnede	cm	40
Olie-inhoud	ml	180
Gewicht	kg	3.9
Veiligheidsklasse		II

Geluidsdrukniveau, volgens EN 60745:

Geluidsdruk ( $L_{pA}$ ) 92 dB(A), onzekerheid (K) 3 dB(A)

Geluidsvermogen ( $L_{WA}$ ) 103 dB(A), onzekerheid (K) 3 dB(A)

## Garantie

Black & Decker heeft vertrouwen in haar producten en biedt een uitstekende garantie. Deze garantiebepalingen vormen een aanvulling op uw wettelijke rechten en beperken deze niet. De garantie geldt in de lidstaten van de Europese Unie en de Europese Vrijhandelsassociatie.

Mocht uw Black & Decker product binnen 24 maanden na de datum van aankoop defect raken ten gevolge van materiaal- of constructiefouten, dan garanderen wij de kosteloze vervanging van defecte onderdelen, de reparatie van het product of de vervanging van het product, tenzij:

- ◆ Het product is gebruikt voor handelsdoeleinden, professionele toepassingen of verhuurdoeleinden.
- ◆ Het product onoordeelkundig is gebruikt.
- ◆ Het product is beschadigd door invloeden van buitenaf of door een ongeval.
- ◆ Reparaties zijn uitgevoerd door anderen dan onze servicecentra of Black & Decker-personeel.

Om een beroep te doen op de garantie, dient u een aankoopbewijs te overhandigen aan de verkoper of een van onze servicecentra. U kunt het adres van het dichtstbijzijnde servicecentrum opvragen via de adressen op de achterzijde van deze handleiding. U kunt ook een lijst van onze servicecentra en meer informatie m.b.t. onze klantenservice vinden op het volgende internetadres: [www.2helpU.com](http://www.2helpU.com)

Bezoek onze website [www.blackanddecker.nl](http://www.blackanddecker.nl) om uw nieuwe product van Black & Decker te registreren en om te worden geïnformeerd over nieuwe producten en speciale aanbiedingen. Verdere informatie over het merk Black & Decker en onze producten vindt u op [www.blackanddecker.nl](http://www.blackanddecker.nl)



## Uso previsto

La motosierra Black & Decker se ha diseñado para podar y talar árboles y cortar troncos. Esta herramienta está pensada únicamente para uso doméstico.

## Instrucciones de seguridad

### Advertencias de seguridad generales para herramientas eléctricas



¡Atención! Lea todas las advertencias e instrucciones de seguridad. En caso de no atenerse a las siguientes advertencias e instrucciones de seguridad, podría producirse una descarga eléctrica, incendio o lesión grave.

Guarde todas las advertencias e instrucciones para futuras consultas. El término "herramienta eléctrica" empleado en las advertencias a continuación hace referencia a la herramienta eléctrica con alimentación de red (con cable) o alimentada por batería (sin cable).

#### 1. Seguridad del área de trabajo

- Mantenga limpia y bien iluminada el área de trabajo.** El desorden o una iluminación deficiente en las áreas de trabajo puede provocar accidentes.
- No utilice herramientas eléctricas en entornos con peligro de explosión, como aquellos en los que haya líquidos, gases o material en polvo inflamables.** Las herramientas eléctricas producen chispas que pueden llegar a inflamar el polvo o los vapores.
- Mantenga alejados a los niños y otras personas del área de trabajo al emplear la herramienta eléctrica.** Una distracción le puede hacer perder el control del aparato.

#### 2. Seguridad eléctrica

- El enchufe de la herramienta eléctrica debe corresponder a la toma de corriente utilizada. No modifique el enchufe. No emplee adaptadores en herramientas eléctricas dotadas con toma de tierra.** Estas pautas le ayudarán a reducir el riesgo de descargas eléctricas.
- Evite que su cuerpo toque partes conectadas a tierra como tuberías, radiadores, cocinas y refrigeradores.** El riesgo a quedar expuesto a una descarga eléctrica es mayor si su cuerpo tiene contacto con tierra.
- No esponga las herramientas eléctricas a la lluvia y evite que penetren líquidos en su interior,** ya que existe el peligro de recibir una descarga eléctrica.

- Cuide el cable de alimentación. No lo utilice para transportar o colgar la herramienta eléctrica, ni tire de él para sacar el enchufe de la toma de corriente. Manténgalo alejado del calor, aceite, bordes afilados o piezas móviles.** Los cables de red dañados o enredados incrementan el riesgo de descarga eléctrica.
- Al trabajar con la herramienta eléctrica en la intemperie utilice solamente cables de prolongación homologados para su uso en exteriores.** Esto le ayudará a reducir el riesgo de descarga eléctrica.
- Si la utilización de una herramienta eléctrica en un lugar húmedo es inevitable, utilice una fuente protegida con un dispositivo de corriente residual (RCD).** Ello le ayudará a reducir el riesgo de descargas eléctricas.

#### 3. Seguridad personal

- Esté atento a lo que hace y emplee la herramienta eléctrica con prudencia. No la use si está cansado, ni si se encuentra bajo los efectos del alcohol, drogas o medicamentos.** El no estar atento durante el uso de una herramienta eléctrica puede provocarle serias lesiones.
- Utilice un equipo de protección personal, y gafas de protección en todo momento.** El riesgo de lesiones se reduce considerablemente si se utiliza material de protección adecuado como una mascarilla antipolvo, zapatos de seguridad con suela antideslizante, casco o protectores auditivos.
- Impida que la herramienta se ponga en marcha accidentalmente. Asegúrese de que el interruptor de encendido/apagado se encuentra en la posición de apagado antes de conectar la herramienta a la fuente de alimentación o a la batería, o de coger o transportar la herramienta.** Transportar la herramienta eléctrica con el dedo sobre el interruptor o enchufarla con el interruptor encendido puede provocar accidentes.
- Retire las herramientas de ajuste o llaves fijas antes de conectar la herramienta eléctrica.** Una herramienta o llave colocada en una pieza giratoria de la herramienta eléctrica puede producir lesiones al ponerse a funcionar.
- Sea precavido. Evite adoptar una posición que fatigue su cuerpo; mantenga un apoyo firme sobre el suelo y conserve el equilibrio en todo momento.** Ello le permitirá controlar mejor la herramienta eléctrica en caso de presentarse una situación inesperada.
- Lleve puesta una vestimenta de trabajo adecuada. No lleve ropa holgada ni joyas. Aleje el pelo, la ropa y los guantes de las piezas móviles.** La vestimenta holgada, las joyas y el pelo largo se pueden enganchar con las piezas en movimiento.
- Siempre que sea posible utilizar unos equipos de aspiración o captación de polvo, asegúrese de que estén montados y se utilicen correctamente.** El empleo de estos equipos reduce los riesgos derivados del polvo.

#### 4. Uso y cuidado de herramientas eléctricas

a. No sobrecargue la herramienta eléctrica. Use la herramienta eléctrica adecuada para cada aplicación.

Con la herramienta eléctrica adecuada podrá trabajar mejor y más seguro dentro del margen de potencia indicado.

b. No utilice herramientas eléctricas con un interruptor defectuoso. Las herramientas eléctricas que no se puedan conectar o desconectar son peligrosas y deben hacerse reparar.

c. Desconecte el conector de la herramienta eléctrica de la fuente de alimentación y la batería antes de realizar cualquier ajuste, cambiar accesorios o guardar la herramienta. Esta medida preventiva reduce el riesgo de encender accidentalmente la herramienta eléctrica.

d. Guarde las herramientas eléctricas fuera del alcance de los niños y de las personas que no estén familiarizadas con su uso. Las herramientas eléctricas utilizadas por personas inexpertas son peligrosas.

e. Cuide sus herramientas eléctricas con esmero. Controle si funcionan correctamente, sin atascarse, las partes móviles de la herramienta eléctrica, y si existen partes rotas o deterioradas que pudieran afectar al funcionamiento de la herramienta. Si la herramienta eléctrica estuviese defectuosa haga que la reparen antes de volver a utilizarla. Muchos de los accidentes se deben a herramientas eléctricas con un mantenimiento deficiente.

f. Mantenga las herramientas de corte limpias y afiladas. Las herramientas de corte mantenidas correctamente se dejan guiar y controlar mejor.

g. Utilice la herramienta eléctrica, los accesorios, los útiles de la herramienta, etc. de acuerdo con estas instrucciones, y tenga en cuenta las condiciones de trabajo y la tarea que se va a realizar. El uso de herramientas eléctricas para trabajos diferentes de aquellos para los que han sido concebidas puede resultar peligroso.

#### 5. Servicio técnico

a. Esta herramienta eléctrica solo la puede reparar personal técnico autorizado que emplee exclusivamente piezas de repuesto originales. Solamente así se garantiza la seguridad de la herramienta eléctrica.

#### Advertencias de seguridad adicionales para herramientas eléctricas



¡Atención! Advertencias de seguridad adicionales para las motosierras.

- ◆ Mantenga su cuerpo y su ropa alejados de la cadena mientras la motosierra esté funcionando. Antes de encender la herramienta, asegúrese de que la cadena de sierra no esté en contacto con ningún objeto. El no estar atento durante la utilización de la motosierra puede provocar que la ropa o partes del cuerpo se enreden con ésta.
- ◆ Sujete siempre la motosierra con la mano derecha en el mango trasero y la mano izquierda en el delantero. Nunca sujete la motosierra con la posición contraria de las manos, puesto que aumenta el riesgo de que se produzcan lesiones personales.
- ◆ Lleve siempre gafas protectoras y protectores para los oídos. Se recomienda el uso de un equipo de protección para cabeza, manos, piernas y pies. El uso de ropa de protección adecuada reducirá los daños a personas causados por residuos volantes o contacto accidental con la cadena de sierra.
- ◆ No utilice la motosierra en un árbol. El uso de la herramienta mientras está subido en un árbol puede provocar lesiones personales.
- ◆ Mantenga siempre un apoyo firme en el suelo y utilice la motosierra sólo cuando se encuentre sobre una superficie fija, segura y regular. Las superficies resbaladizas o inestables como, por ejemplo, las escaleras, pueden provocar la pérdida del equilibrio o el control de la motosierra.
- ◆ Cuando corte una rama sometida a tensión, tenga cuidado con la fuerza de retroceso. Cuando se libera la tensión de las fibras de madera, la rama podría golpear al operario y/o arrojar la herramienta fuera de su alcance.
- ◆ Tenga sumo cuidado cuando corte matorrales o árboles jóvenes. El material más ligero puede atrapar la cadena de sierra y golpearle con un latigazo o desequilibrarle.
- ◆ Transporte la motosierra sostenida por el mango frontal, apagada y alejada del cuerpo. Al transportar o guardar la motosierra encaje la cubierta de la barra guía. Una manipulación adecuada de la motosierra reducirá las posibilidades de que se produzca un contacto accidental con la cadena de sierra en movimiento.
- ◆ Siga las instrucciones para lubricar, tensar la cadena y cambiar los accesorios. Una cadena incorrectamente tensada o lubricada puede romperse o aumentar el riesgo de que se produzca un retroceso de la sierra.
- ◆ Mantenga las asas secas, limpias y libres de aceite y grasa. Las asas con grasa o aceite son resbaladizas y pueden provocar la pérdida de control.
- ◆ Corte únicamente madera. No utilice la motosierra para objetivos diferentes a los previstos. Por ejemplo: no la utilice para cortar plástico, mampostería o materiales de construcción que no sean de madera. El

uso de la motosierra para trabajos diferentes de aquellos para los que han sido concebidas puede resultar peligroso.

- ◆ **Procure colocar el cable de modo que no se enganche en las ramas u objetos similares durante el corte.**
- ◆ El amortiguador de púas (16) puede afilarse durante la vida del producto. Manipúlelo con cuidado.
- ◆ **Al manipular el producto, es posible que se caliente la barra de la cadena.** Manipúlelo con cuidado.

### Causas y prevención del retroceso de la motosierra

Es posible que se produzca un retroceso cuando la boca o la punta de la barra guía toca un objeto, o cuando la madera se acerca y se engancha con la cadena de sierra durante el corte.

En algunos casos el contacto con la punta puede provocar una reacción invertida y repentina, levantando y bajando la barra guía hacia el usuario.

Es posible que si se pellizca la cadena de sierra en la parte superior de la barra guía, ésta puede retroceder hasta el usuario.

Cualquiera de estas reacciones puede provocar la pérdida del control de la motosierra y resultar en lesiones personales graves. No confíe únicamente en los dispositivos de seguridad incorporados de la motosierra. Como usuario de la motosierra, debe tomar precauciones para evitar accidentes o lesiones durante el uso de la herramienta.

El retroceso se debe a la utilización inadecuada y/o procedimientos o condiciones de trabajo incorrectos y puede evitarse tomando las precauciones que se detallan a continuación.

- ◆ **Sujete firmemente el mango rodeándolo con los dedos. Con las dos manos en la motosierra, coloque el cuerpo y el brazo de modo que pueda soportar los retrocesos.** Si se toman las precauciones adecuadas, es posible controlar los retrocesos. No desatienda la motosierra.
- ◆ **No se extralimite y no realice cortes a una altura superior al hombro.** De este modo, evitará el contacto accidental con la punta y ayudará a controlar mejor la motosierra en situaciones inesperadas.
- ◆ **Utilice únicamente barras guía y cadenas de repuesto especificadas por el fabricante.** Las barras guía y cadenas de repuesto colocadas de forma incorrecta pueden provocar la ruptura o retrocesos de la cadena.
- ◆ **Siga las instrucciones del fabricante acerca del afilado y mantenimiento de la cadena de sierra.** La disminución de la altura del profundímetro puede resultar en el aumento de retrocesos.
- ◆ Golpear metales, cemento u otros materiales duros que estén cerca de la madera o enterrados en la misma puede producir un retroceso.

- ◆ Una cadena floja o suelta puede producir un retroceso.
- ◆ No inserte la sierra en un corte anterior. Podría provocar un retroceso. Realice un nuevo corte cada vez.

### Recomendaciones de seguridad

- ◆ Recomendamos encarecidamente que los usuarios principiantes obtengan de otro usuario con más experiencia instrucciones prácticas del uso de la motosierra y del equipo de protección. La práctica inicial debe completarse con el serrado de troncos sobre un caballete o un soporte.
- ◆ Compruebe siempre que el freno del retroceso funciona correctamente antes de utilizar el aparato.
- ◆ Recomendamos que antes de transportar la motosierra compruebe que el freno está acoplado y que la cadena de la sierra está orientada hacia atrás.
- ◆ Realice el mantenimiento de la motosierra cuando no la utilice. Cuando guarde la motosierra para no utilizarla durante un cierto tiempo, desmonte primero la cadena de sierra y la barra guía que habrán de conservarse sumergidas en aceite. Guarde todas las piezas de la motosierra en un lugar seco y seguro, fuera del alcance de los niños.
- ◆ Le recomendamos purgar el depósito de aceite antes de guardar la herramienta.
- ◆ Asegúrese de tener los pies firmemente asentados y prepare un plan de salida segura para la caída de árboles o ramas.
- ◆ Use cuñas para ayudar a controlar la tala y evitar que la cadena y la barra guía queden bloqueadas en la madera.
- ◆ Cuidados de la cadena de sierra. Mantenga la cadena de sierra afilada y bien encajada en la barra guía. Asegúrese de que la cadena de sierra y la barra guía estén limpias y bien lubricadas. Mantenga las asas secas, limpias y libres de aceite y grasa.

### Evite cortar

- ◆ Madera preparada.
- ◆ Dentro del suelo.
- ◆ En alambradas, clavos, etc.

### Vibración

El valor de emisión de vibraciones declarado en el apartado de características técnicas y en la declaración de conformidad se ha calculado según un método de prueba estándar proporcionado por la norma EN 60745 y podrá utilizarse para comparar una herramienta con otra. El valor de emisión de vibraciones especificado también podrá utilizarse en una evaluación preliminar de la exposición.

**¡Atención!** El valor de emisión de vibraciones durante el funcionamiento real de la herramienta eléctrica puede diferir del valor declarado en función de cómo se utilice dicha herramienta. El nivel de las vibraciones puede superar el indicado.

Al evaluar la exposición a las vibraciones con el fin de determinar las medidas de seguridad que exige la norma 2002/44/CE para proteger a las personas que utilizan periódicamente herramientas eléctricas en el entorno laboral, deberá tenerse en cuenta una estimación de la exposición a las vibraciones, las condiciones de uso reales y el modo de empleo de la herramienta, así como los pasos del ciclo operativo como, por ejemplo, el número de veces que la herramienta se apaga y se desconecta y el tiempo de activación.

## Seguridad eléctrica



La herramienta lleva un doble aislamiento; por lo tanto, no requiere una toma a tierra. Compruebe siempre que la tensión de la red corresponda con el valor indicado en la placa de datos de la herramienta.

- ◆ Si se dañara el cable de alimentación, deberá ser sustituido por el fabricante o por un centro de asistencia técnica autorizado de Black & Decker para evitar cualquier situación de riesgo.

## Utilización de un cable de prolongación

- ◆ Utilice siempre un cable de prolongación adecuado para la entrada de corriente de esta herramienta (consulte la ficha técnica). El cable de prolongación debe ser adecuado para su uso en exteriores y presentar las indicaciones oportunas. Se puede utilizar un cable de prolongación HO7RN-F 2 X de 1,5 mm<sup>2</sup> y de hasta 30 m sin pérdida de rendimiento del producto. Antes de utilizar el cable de prolongación, compruebe que no está dañado, gastado o deteriorado. Si está dañado o defectuoso, sustitúyalo. Cuando utilice una bobina de cable, desenrolle siempre todo el cable.

## Protéjase contra las descargas eléctricas

- ◆ Evite el contacto del cuerpo con superficies conectadas a masa o tierra (por ejemplo verjas metálicas o farolas, etc.). Se puede incrementar la seguridad eléctrica mediante la utilización de disyuntores (30 mA) para detectar corrientes de fuga.



**¡Atención!** El uso de disyuntores de alta sensibilidad u otro cortacircuitos no dispensa al usuario de la motosierra de cumplir con las instrucciones y prácticas de seguridad dadas en este manual de usuario.

## Otras instrucciones de seguridad

- ◆ Ninguna persona (incluyendo niños) con capacidades físicas, sensoriales o mentales disminuidas, o que carezca de experiencia y conocimientos, debe utilizar este aparato, salvo que haya recibido supervisión o formación con respecto al uso del aparato por parte de una persona responsable de su seguridad.
- ◆ Los niños deben vigilarse en todo momento para garantizar que el aparato no se toma como elemento de juego.
- ◆ Asegúrese de que haya otra persona cerca (pero a una distancia segura) en caso de accidente.
- ◆ Si por alguna razón tiene que tocar la cadena, asegúrese de que la motosierra esté desconectada de la corriente.
- ◆ El ruido de este producto puede superar 85 dB(A). Le recomendamos, por tanto, que tome las medidas adecuadas para proteger sus oídos.

## Riesgos residuales.

El uso de esta herramienta puede producir riesgos residuales adicionales no incluidos en las advertencias de seguridad adjuntas. Estos riesgos se pueden generar por un uso incorrecto, demasiado prolongado, etc.

El cumplimiento de las normas de seguridad correspondientes y el uso de dispositivos de seguridad no evitan ciertos riesgos residuales. Estos riesgos incluyen:

- ◆ Lesiones producidas por el contacto con piezas móviles o giratorias.
- ◆ Lesiones producidas al cambiar cualquier pieza, cuchilla o accesorio.
- ◆ Lesiones producidas al usar una herramienta por un tiempo demasiado prolongado. Si utiliza una herramienta durante períodos de tiempo demasiado prolongados, asegúrese de realizar pausas con frecuencia.
- ◆ Discapacidad auditiva.
- ◆ Riesgo para la salud producidos al respirar el polvo que se genera al usar la herramienta (por ejemplo: en los trabajos con madera, especialmente de roble, haya y tableros de densidad mediana).

## Etiquetas en la herramienta

Encontrará los siguientes pictogramas en la herramienta:



**¡Atención!** Para reducir el riesgo de lesiones, el usuario debe leer el manual de instrucciones.



Use siempre protección para los oídos y los ojos



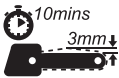
No exponga la herramienta a la lluvia ni a la humedad.



Antes de revisar un cable dañado, retire siempre la clavija del enchufe de corriente. Tenga cuidado de no utilizar la motosierra si el cable está estropeado.



Directiva 2000/14/CE sobre la potencia acústica garantizada..



Afin de garantizar un funcionamiento seguro continuo, compruebe la tensión de la cadena siguiendo el procedimiento que se describe en este manual cada 10 minutos de uso y **ajústela según sea necesario** para que disponga de un huelgo de 3 mm..

## Características

1. Interruptor de encendido/apagado
2. Botón de desbloqueo
3. Tapón del aceite
4. Protector delantero/freno de la sierra
5. Indicador del nivel de aceite
6. Cadena
7. Barra guía
8. Funda de la cadena
9. Selector de control
10. Montaje de la cubierta de la cadena

## Montaje



**¡Atención!** Utilice siempre guantes de protección cuando manipule la motosierra.



**¡Atención!** Antes de realizar el mantenimiento de las herramientas eléctricas, primero debe apagar y desenchufar el aparato.

## Engrase de la cadena

Deberá hacerlo cada vez que utilice una nueva cadena (6) por primera vez. Saque la cadena nueva (6) y empápela con aceite para cadenas durante al menos una hora antes de utilizarla. Utilice aceite para cadenas de Black & Decker. Le recomendamos utilizar únicamente aceite Black & Decker durante la vida útil de la motosierra puesto que las mezclas de aceites diferentes pueden llegar a degradar el aceite, lo cual puede acortar drásticamente la duración de la cadena de sierra y producir riesgos adicionales. No utilice nunca aceite usado, aceite pesado o aceite muy ligero de máquinas de coser. Estos aceites pueden estropear la motosierra.

## Colocación de la barra guía y la cadena. (fig. A - E)

- ◆ Coloque la motosierra sobre una superficie estable.
- ◆ Coloque el montaje del protector delantero/freno de la sierra en la posición hacia delante (fig. D).
- ◆ Afloje por completo el selector de control (9) (fig. A).
- ◆ Quite el montaje de la cubierta de la cadena (10).
- ◆ Coloque la cadena (6) sobre la barra guía (7), asegurándose de que los dientes de la parte superior de la barra guía (7) miran hacia el frente (fig. B).
- ◆ Guíe la cadena (6) alrededor de la barra guía (7) y tire de ella para crear un bucle en un lado de la parte posterior de la barra guía (7).
- ◆ Guíe la cadena (6) alrededor de la rueda dentada motriz (12). Coloque la barra guía (7) en los espárragos de posición de la barra (13) (fig. E).

**¡Atención!** Asegúrese de que el montaje del protector delantero/freno de cadena (4) se encuentra en la posición delantera antes de volverlo a colocar (fig. C).

- ◆ Antes de colocar el montaje de la cubierta de la cadena, compruebe que la leva (11) (fig. B) se encuentra en la posición correcta. Si fuera necesario, pulse el selector de control (9) y gírelo en el sentido de las agujas del reloj para girar la leva hasta la posición correcta..
- ◆ Para instalar la cubierta de la cadena, busque el perno y utilice el selector de control (9) para apretarla con los dedos.
- ◆ Para aumentar la tensión de la cadena, afloje con un giro completo el selector de control, púselo firmemente y gírelo en el sentido de las agujas del reloj. A medida que la barra se desplace hacia adelante, asegúrese de que los eslabones de la cadena se adentran en la barra guía.
- ◆ Deje que el selector de control vuelva a la posición "out" y gírelo aún más en el sentido de las agujas del reloj para apretar la barra guía. No apriete en exceso.

- ◆ Compruebe la tensión tal como se describe a continuación.

## Comprobación y ajuste de la tensión de la cadena (fig. G)

Antes de usar la herramienta y después de cada 10 minutos de uso, debe comprobar la tensión de la cadena.

- ◆ Desconecte la herramienta de la toma de corriente.
- ◆ Tire suavemente de la cadena (6) tal como se indica (intercale fig. G). La tensión es correcta cuando la cadena (6) vuelve atrás tras haber sido separada 3 mm de la barra guía (7). No debe haber "comba" alguna entre la barra guía (7) y la cadena (6) en la parte inferior.

**Nota:** No tense demasiado la cadena, ya que provocará un desgaste excesivo y se reducirá la vida útil de esta y de la barra guía.

**Nota:** Cuando la cadena sea nueva, compruebe la tensión frecuentemente (después de desconectar la máquina de la corriente) durante las 2 primeras horas de uso ya que una cadena nueva se alarga ligeramente.

## Para aumentar la tensión

- ◆ Afloje con un giro completo el selector de control, púlselo firmemente y gírelo en el sentido de las agujas del reloj hasta obtener la tensión necesaria. A medida que la barra se desplace hacia adelante, asegúrese de que los eslabones de la cadena se adentran en la barra guía.
- ◆ Deje que el selector de control vuelva a la posición "out" y gírelo aún más en el sentido de las agujas del reloj para apretar la barra guía. No apriete en exceso.

## Uso

¡Atención! Deje que la herramienta funcione a su ritmo. No lo sobrecargue.

## Llenado del depósito de aceite (fig. F)

- ◆ Retire el tapón del aceite (3) y llene el depósito con aceite para cadenas recomendado. Podrá ver el nivel de aceite en el indicador de nivel de aceite (5). Vuelva a poner el tapón del aceite (3).
- ◆ Apague la máquina y compruebe periódicamente el indicador de nivel de aceite (5), si está por debajo de un cuarto de su total, desconecte la motosierra de la corriente y rellene el depósito con aceite del tipo adecuado.

## Encendido

**Nota:** No será posible encender la herramienta si el montaje del protector delantero/freno de cadena no está en posición "set".

- ◆ Agarre firmemente la motosierra con ambas manos. Empuje el botón de desbloqueo (2) hacia adelante y pulse el interruptor de encendido/apagado (1) para comenzar.

- ◆ Cuando arranque el motor, retire el pulgar del botón del bloqueo (2) y agarre el mango firmemente.

No fuerce la herramienta; deje que haga el trabajo. Hará un trabajo mejor y más seguro a la velocidad para la que se ha diseñado. Una fuerza excesiva estirará la cadena (6).

## Como ajustar el freno de cadena (fig. C)

- ◆ Asegúrese de que la herramienta está desconectada de la alimentación de corriente.
- ◆ Tire hacia atrás del montaje del protector delantero/freno de la sierra (4) hacia la posición "set" (fig. C).
- ◆ La herramienta está ahora lista para su uso.

## Cómo funciona el freno de cadena de anti-retroceso

En caso de que se produzca retroceso, su mano izquierda entrará en contacto con el protector delantero, empujándolo hacia delante, hacia la pieza de trabajo, y haciendo que la herramienta se detenga en unas pocas fracciones de segundo.

## Como ajustar el freno de cadena anti-retroceso (fig. C)

- ◆ Compruebe siempre que el freno del retroceso funciona correctamente antes de utilizar el aparato.
- ◆ Agarre firmemente la herramienta con ambas manos sobre una superficie firme, asegúrese de que la cadena de sierra (6) está alejada del suelo y encienda la máquina (consulte "Cómo encender la motosierra").
- ◆ Gire la mano izquierda hacia adelante alrededor del mango delantero de forma tal que el dorso de la mano haga contacto con el montante del protector delantero/freno de cadena (4) y empujándolo hacia delante, hacia la pieza de trabajo, (fig. C). Ahora la cadena (6) debería detenerse en unas pocas fracciones de segundo.

Para restablecer después de la utilización del montaje del protector delantero/freno de cadena (4), siga las instrucciones de "Como ajustar el freno de cadena".

**Nota:** No arranque de nuevo la herramienta hasta que no haya oído que el motor se ha detenido por completo.

**Nota:** Si el freno de la cadena no funciona correctamente, lleve el producto a un centro de asistencia técnica autorizado de Black & Decker.

## Si la cadena de la sierra (6) o la barra guía (7) se atascan

- ◆ Apague la herramienta.
- ◆ Desconecte la herramienta de la toma de corriente.
- ◆ Abra el corte con cuñas para disminuir la presión sobre la barra guía (7). No intente soltar la cadena con un tirón.
- ◆ Inicie un corte nuevo.

### Tala (fig. H - J)

Los usuarios sin experiencia no deben talar árboles. El usuario podría sufrir lesiones o provocar daños materiales como resultado de la pérdida de control de la dirección de caída, el árbol puede astillarse o las ramas dañadas o muertas pueden caer durante la tala.

La distancia de seguridad entre un árbol que se tala y los transeúntes, edificios y otros objetos es al menos dos veces y media la altura del árbol. Los transeúntes, edificios u objetos que se encuentren a menos distancia corren el riesgo de ser golpeados por el árbol mientras cae.

#### Antes de talar árboles:

- ◆ Asegúrese de que no existen ordenanzas o normas municipales que prohíban o controlen la tala de árboles.
- ◆ Considere todas las condiciones que puedan influir en la dirección de caída, incluidas las siguientes:
  - La dirección de caída prevista.
  - La inclinación natural del árbol.
  - Cualquier putrefacción o estructura de rama pesada y poco común.
  - Árboles circundantes y obstáculos, tales como líneas de teléfono o tendido eléctrico y desagües subterráneos.
  - La velocidad y dirección del viento.

Tenga preparado un plan de salida segura para la caída de árboles o ramas. Asegúrese de que la trayectoria de salida esté libre de obstáculos que eviten o impidan el movimiento. Recuerde que la hierba mojada y las cortezas recién cortadas son resbaladizas.

- ◆ No talar árboles cuyo diámetro es mayor que la longitud de corte de la motosierra.
- ◆ Realice un corte angular para determinar la dirección de la caída.
- ◆ Realice un corte horizontal con una profundidad de entre 1/5 y 1/3 del diámetro del árbol, perpendicular a la línea de caída en la base del árbol (fig. H).
- ◆ Realice un segundo corte desde arriba para que coincida con el primero y que resulte un corte angular de unos 45°.
- ◆ Realice un único corte horizontal por el otro lado entre unos 25 mm y 50 mm por encima del centro del corte angular. (fig. I). No corte a través del corte angular puesto que podría perder el control de la dirección de caída.
- ◆ Introduzca una o más cuñas en este corte de tala para abrirlo y dejar caer el árbol (fig. J).

### Poda de árboles

Asegúrese de que no existen ordenanzas o normas municipales que prohíban o controlen la poda de árboles. La poda deben realizarla usuarios experimentados puesto que hay riesgo de que se produzca un retroceso o se enganche la cadena.

### Antes de podar deben considerarse las condiciones que afectan la dirección de caída incluyendo:

- ◆ La longitud y el peso de la rama que va a cortar.
- ◆ Cualquier putrefacción o estructura de rama pesada y poco común.
- ◆ Árboles circundantes y obstáculos como líneas de teléfono o de tendido eléctrico.
- ◆ La velocidad y dirección del viento.
- ◆ Las ramas que se entrelazan.

El usuario debe considerar el acceso a la rama del árbol y la dirección de caída. Es probable que las ramas oscilen hacia el tronco. Además del usuario, los transeúntes, objetos y propiedades que se encuentren bajo la rama están en peligro.

- ◆ Para evitar el astillamiento, realice el primer corte hacia arriba con una profundidad máxima de un tercio del diámetro de la rama.
- ◆ Realice el segundo corte hacia abajo para que coincida con el primero.

### Corta forestal (fig. K a M)

Cómo deberá cortar dependerá de la forma en que se sujete el tronco.

Use un caballete de aserrar siempre que sea posible. Empiece siempre el corte con la cadena de sierra en funcionamiento y el amortiguador de púas (16) en contacto con la madera (fig. K). Para completar el corte, use la acción pivotante del amortiguador de púas contra la madera.

#### Cuando se apoya en toda su longitud:

- ◆ Haga un corte hacia abajo, evitando cortar la tierra para no mellar rápidamente la cadena.

#### Cuando se apoya en ambos extremos:

- ◆ Primero corte un tercio hacia abajo para evitar que se astille y seguidamente corte de nuevo siguiendo el primer corte.

#### Cuando se apoya en un extremo:

- ◆ Primero, corte un tercio hacia arriba para evitar que se astille y seguidamente corte hacia abajo para evitar el mismo problema.

#### Cuando se está en pendiente (fig. L):

- ◆ Colóquese siempre cuesta arriba.

#### Cuando desee cortar un tronco en el suelo (fig. L):

- ◆ Fije la pieza de trabajo mediante abrazaderas o cuñas. El usuario o transeúntes no deben estabilizar el tronco sentándose sobre él. Asegúrese de que la motosierra no entra en contacto con el suelo.



**Cuando se usa caballete de aserrar (fig. M):**

Siempre que sea posible, se recomienda encarecidamente su utilización.

- ◆ Coloque el tronco en posición estable. Corte siempre sobre el exterior de los brazos del caballete de aserrar. Utilice pinzas o correas para asegurar la pieza de trabajo.

**Solución de problemas**

Problema	Causa posible	Posible solución
La herramienta no arranca	No se ha pulsado el botón de bloqueo.	Pulse el botón de bloqueo.
	El protector delantero está en la posición de freno	Cambie la posición del protector delantero
	Fusible fundido	Sustituya el fusible
	RCD activado	Compruebe el RCD
	El cable de corriente no está conectado	Compruebe el suministro de corriente
La cadena no se detiene inmediatamente cuando se apaga la herramienta	La tensión de la cadena está demasiado floja	Compruebe la tensión de la cadena
La barra o cadena parece estar caliente/ emite humo	El depósito de aceite está vacío	Compruebe el nivel del depósito de aceite
	El orificio de aceite está bloqueado en la barra de la cadena	Limpie el orificio de aceite
	La tensión de la cadena está demasiado apretada	Compruebe la tensión de la cadena
	La rueda dentada de la barra guía necesita engrase	Engrase la rueda dentada de la barra guía
La motosierra no corta adecuadamente	La cadena está al revés	Compruebe o modifique la dirección de la cadena
		Afile la cadena

Problema	Causa posible	Posible solución
La motosierra no utiliza aceite	Hay restos en el depósito	Vacíe el depósito y coloque aceite nuevo
	El orificio de aceite del tapón está bloqueado	Elimine los restos del orificio
	Hay restos en la barra de la cadena	Elimine los restos y limpie la barra de la cadena
	Hay restos en la salida de aceite	Elimine los restos

**Mantenimiento**

El mantenimiento periódico asegura una larga vida efectiva de la herramienta. Le recomendamos que realice las comprobaciones siguientes de forma periódica:

**¡Atención!** Antes de realizar el mantenimiento de las herramientas eléctricas:

- ◆ Apague la herramienta y desconéctela de la toma de corriente.

**Nivel de aceite**

No se deberá dejar que el nivel del depósito caiga por debajo de un cuarto de su total.

**Cadena de sierra y barra guía (fig. G)**

- ◆ Cada pocas horas de uso y antes de almacenar la herramienta, quite la barra guía (6) y la cadena de la sierra (7) y límpielas a fondo.
- ◆ Asegúrese de que el protector esté limpio y de que no contenga restos.
- ◆ Durante el montaje, gire la barra guía (7) 180° y engrase la rueda dentada a través del orificio de lubricación (17). Esto garantiza una distribución uniforme del desgaste alrededor de los raíles de la barra guía.

**Afilado de la cadena de sierra**

Si desea conseguir el máximo rendimiento de la herramienta, es importante que mantenga los dientes de la motosierra afilados.

Las instrucciones de este procedimiento se encuentran en el paquete de afilado. A tal fin, recomendamos comprar el kit de afilado de cadena de sierra de Black & Decker (disponible en los talleres de servicio y concesionarios seleccionados de Black & Decker).

### Cambio de las cadenas desgastadas

Las tiendas y los talleres de servicio de Black & Decker disponen de cadenas de sierra de repuesto. Utilice únicamente piezas de repuesto originales.

### Afilado de la cadena de sierra

Los dientes de la cadena de sierra se mellarán inmediatamente si entran en contacto con el suelo o con un clavo durante la operación de corte.

### Tensión de la cadena de sierra

Compruebe periódicamente la tensión de la cadena.

### Qué hacer si la motosierra necesita reparación:

La motosierra se fabrica según los requisitos de seguridad pertinentes. Las reparaciones deben llevarse a cabo por personal cualificado, usando piezas de recambio originales; en caso contrario, podría ocasionarse un considerable peligro al usuario. Le recomendamos guardar este manual en un sitio seguro.

### Protección del medio ambiente



Recogida selectiva. No se debe desechar este producto con el resto de residuos domésticos.

Si llegase el momento en que fuese necesario sustituir su producto Black & Decker o si este dejase de tener utilidad para usted, no lo deseche junto con los residuos domésticos. Sepárelo para su recogida selectiva.



La recogida selectiva de productos y embalajes usados permite el reciclaje de materiales y su reutilización. La reutilización de materiales reciclados contribuye a evitar la contaminación medioambiental y reduce la demanda de materias primas.

Las normativas municipales deben ofrecer la recogida selectiva de productos eléctricos del hogar, en puntos municipales previstos para tal fin o a través del distribuidor cuando adquiera un nuevo producto.

Black & Decker proporciona facilidades para la recogida y reciclado de los productos Black & Decker que han llegado al final de su vida útil. Para poder utilizar este servicio, le rogamos que entregue el producto a cualquier agente de servicio técnico autorizado para que se haga cargo de él en nuestro nombre.

Para consultar la dirección del agente de servicio técnico más cercano, póngase en contacto con la oficina local de Black & Decker en la dirección que se indica en este manual. Como alternativa, se puede consultar en Internet la lista de servicios técnicos autorizados e información completa de nuestros servicios de posventa y contactos, en la dirección siguiente: [www.2helpU.com](http://www.2helpU.com)

#### Características técnicas

		GK1630T	GK1635T
		Typ. 5	Typ. 5
Longitud de la barra	cm	30	35
Voltaje	V <sub>AC</sub>	230	230
Potencia de entrada	W	1600	1600
Velocidad de la cadena (sin carga)	m/s	8	8
Longitud máxima de corte	cm	30	35
Capacidad de aceite	ml	180	180
Peso	kg	3.7	3.8
Clase de seguridad		II	II

		GK1640T
		Typ. 5
Longitud de la barra	cm	40
Voltaje	V <sub>AC</sub>	230
Potencia de entrada	W	1600
Velocidad de la cadena (sin carga)	m/s	8
Longitud máxima de corte	cm	40
Capacidad de aceite	ml	180
Peso	kg	3.9
Clase de seguridad		II

#### Nivel de presión acústica de acuerdo con la directiva EN 60745:

Presión acústica (L<sub>pa</sub>) 92 dB(A), incertidumbre (K) 3 dB(A)

Potencia acústica(L<sub>pa</sub>) 103 dB(A), incertidumbre (K) 3 dB(A)

#### Valores totales de vibración (suma vectorial triaxial) de acuerdo con la

#### directiva EN 60745:

Valor de emisión de vibraciones (a<sub>v</sub>) 5 m/s<sup>2</sup>, incertidumbre (K) 1,5 m/s<sup>2</sup>

## Declaración de conformidad CE

DIRECTIVA DE MAQUINARIAS  
DIRECTIVA SOBRE LA EMISIÓN DE RUIDO EN  
EXTERIORES



GK1630T, GK1635T, GK1640T

Black & Decker declara que los productos descritos en los "datos técnicos" cumplen con lo siguiente: 98/37/CE (hasta el 28 de diciembre de 2009), 2006/42/CE (a partir del 29 de diciembre de 2009), EN 60745-1, EN 60745-2-13

2000/14/CE, Sierra de cadena, Anexo V  
KEMA Quality B.V., Utrechtseweg 310, 6802 ED Arnhem,  
Países Bajos  
N.º de ID del departamento notificado: 0344

Nivel de intensidad acústica de acuerdo con la directiva 2000/14/CE (Artículo 13, anexo III):

$L_{WA}$  (potencia acústica medida) 103 dB(A)  
Incertidumbre = 3 dB(A)

$L_{WA}$  (potencia acústica garantizada) 103 dB(A)  
Incertidumbre = 3 dB(A)

Estos productos también cumplen con la directiva 2004/108/CE. Si desea obtener más información, póngase en contacto con Black & Decker a través de la siguiente dirección o consulte el dorso del manual.

La persona que firma a continuación es responsable de la elaboración del archivo técnico y realiza esta declaración en nombre de Black & Decker.

Kevin Hewitt  
Vicepresidente de Ingeniería global  
Black & Decker Europe, 210 Bath Road, Slough,  
Berkshire, SL1 3YD  
Reino Unido  
01-12-2009

## Garantía

Black & Decker confía plenamente en la calidad de sus productos y ofrece una garantía extraordinaria. Esta declaración de garantía es un añadido, y en ningún caso un perjuicio para sus derechos legales. La garantía es válida dentro de los territorios de los Estados miembros de la Unión Europea y de los de la Zona Europea de Libre Comercio.

Si un producto Black & Decker resultara defectuoso debido a materiales o mano de obra defectuosos o a la falta de conformidad, Black & Decker garantiza, dentro de los 24 meses de la fecha de compra, la sustitución de las piezas defectuosas, la reparación de los productos sujetos a un desgaste y rotura razonables o la sustitución de tales productos para garantizar al cliente el mínimo de inconvenientes, a menos que:

- ◆ El producto se ha utilizado con propósitos comerciales, profesionales o de alquiler.
- ◆ El producto se ha sometido a un uso inadecuado o negligente.
- ◆ El producto ha sufrido daños causados por objetos o sustancias extrañas o accidentes.
- ◆ Se hayan realizado reparaciones por parte de personas que no sean agentes de servicio técnico autorizado o personal de servicios de Black & Decker.

Para reclamar en garantía, será necesario que presente la prueba de compra al vendedor o al agente de servicio técnico autorizado. Puede consultar la dirección de su agente de servicio técnico más cercano si se pone en contacto con la oficina local de Black & Decker en la dirección que se indica en este manual. Como alternativa, se puede consultar en Internet la lista de servicios técnicos autorizados e información completa de nuestros servicios de postventa y contactos, en la dirección siguiente: [www.2helpU.com](http://www.2helpU.com)

Visite nuestro sitio web [www.blackanddecker.eu](http://www.blackanddecker.eu) para registrar su nuevo producto Black & Decker y mantenerse al día sobre nuestros productos y ofertas especiales. Encontrará más información acerca de la marca Black & Decker y de la gama de productos que ofrece en la dirección [www.blackanddecker.eu](http://www.blackanddecker.eu)

## Utilização prevista

A sua electroserreta Black & Decker foi concebida para podar e derrubar árvores e cortar ramos. Esta ferramenta destina-se apenas a utilização doméstica.

## Instruções de segurança

### Avisos de segurança gerais para ferramentas eléctricas



Atenção! Leia com atenção todos os avisos de segurança e instruções. O não cumprimento dos seguintes avisos e instruções pode resultar em choque eléctrico, incêndio e/ou graves lesões.

Guarde todos os avisos e instruções para futura referência. A expressão "ferramenta eléctrica" utilizada a seguir refere-se a ferramentas eléctricas com ligação à corrente eléctrica (com cabo) ou com bateria (sem fios).

#### 1. Segurança na área de trabalho

- Mantenha a área de trabalho limpa e bem iluminada. Áreas desarrumadas ou mal iluminadas são propícias a acidentes.
- Não trabalhe com ferramentas eléctricas em áreas com **risco de explosão, nas quais se encontrem líquidos, gases ou poeiras inflamáveis**. As ferramentas eléctricas produzem faíscas que podem provocar a ignição de poeiras ou vapores.
- Mantenha crianças e outras pessoas afastadas durante a utilização da ferramenta eléctrica. Distrações podem provocar perda de controlo do aparelho.

#### 2. Segurança eléctrica

- As fichas da ferramenta eléctrica devem caber na tomada. A ficha não deve ser modificada de modo algum. Não utilize quaisquer fichas adaptadoras em ferramentas eléctricas com ligação à terra. Fichas sem modificações e tomadas adequadas reduzem o risco de choques eléctricos.
- Evite que o corpo entre em contacto com superfícies ligadas à terra, como tubos, radiadores, fogões e frigoríficos. Existe um risco elevado de choques eléctricos se o corpo estiver ligado à terra.
- Não exponha as ferramentas eléctricas à chuva ou à humidade. A penetração de água na ferramenta eléctrica aumenta o risco de choques eléctricos.
- Manuseie o cabo com cuidado. O cabo não deve ser utilizado para transportar ou pendurar a ferramenta, nem para puxar a ficha da tomada. Mantenha o cabo afastado de calor, óleo, pontas afiadas ou partes móveis. Cabos danificados ou torcidos aumentam o risco de choques eléctricos.

- Quando trabalhar com uma ferramenta eléctrica ao ar livre, utilize um cabo de extensão apropriado para esse fim. A utilização de um cabo apropriado para áreas ao ar livre reduz o risco de choques eléctricos.
- Se for inevitável trabalhar com uma ferramenta eléctrica num local húmido, utilize um dispositivo de corrente residual (RCD). A utilização de um RCD reduz o risco de choque eléctrico.

#### 3. Segurança pessoal

- Mantenha-se atento, observe o que está a fazer e seja prudente quando trabalhar com a ferramenta eléctrica. Não utilize uma ferramenta eléctrica se estiver cansado ou sob a influência de drogas, álcool ou medicamentos. Um momento de falta de atenção enquanto trabalha com ferramentas eléctricas poderá resultar em lesões graves.
- Utilize equipamento de protecção pessoal. Utilize sempre óculos de protecção. Equipamento de protecção como, por exemplo, máscara anti-poeiras, sapatos de segurança anti-derrapantes, capacete de segurança ou protecção auricular, de acordo com o tipo e a aplicação de ferramenta eléctrica, reduz o risco de lesões.
- Evite arranques involuntários. Certifique-se de que o botão está desligado antes de ligar a ferramenta à corrente eléctrica e/ou a bateria, pegando ou transportando a ferramenta. Transportar ferramentas eléctricas com o dedo no botão ou ligar ferramentas eléctricas à tomada com o interruptor na posição de ligado pode dar origem a acidentes.
- Retire eventuais chaves de ajuste ou chaves de fendas antes de ligar a ferramenta eléctrica. Uma chave fixa ou qualquer outra chave ligada a uma peça rotativa da ferramenta eléctrica pode provocar lesões.
- Não tente chegar a pontos fora do alcance. Mantenha-se sempre bem posicionado e em equilíbrio. Assim, controlará melhor a ferramenta eléctrica em situações imprevistas.
- Use vestuário adequado. Não utilize roupas largas nem jóias. Mantenha o cabelo, roupa e luvas afastados de peças em movimento. Roupas largas, jóias ou cabelo comprido podem ser apanhados por partes móveis.
- Se for prevista a montagem de dispositivos de extracção e recolha de poeiras, assegure-se de que estão ligados e que são utilizados de forma correcta. A recolha das poeiras pode reduzir os riscos provocados por poeiras.

#### 4. Utilização e manutenção da ferramenta eléctrica

- Não sobrecarregue a ferramenta eléctrica. Utilize a ferramenta eléctrica adequada para o trabalho

**pretendido.** A ferramenta eléctrica correcta realizará o trabalho de forma melhor e mais segura, com a potência com que foi concebida.

- b. **Não utilize a ferramenta eléctrica se o interruptor não puder ser ligado nem desligado.** Qualquer ferramenta eléctrica que não possa ser controlada com o interruptor é perigosa e terá de ser reparada.
- c. **Desligue a ficha da tomada e/ou a bateria da ferramenta eléctrica antes de proceder a ajustes, trocar acessórios ou guardar ferramentas eléctricas.** Estas medidas de prevenção de segurança reduzem o risco de ligação inadvertida da ferramenta eléctrica.
- d. **Mantenha as ferramentas eléctricas que não estiverem a ser utilizadas fora do alcance das crianças. Não permita que a ferramenta eléctrica seja utilizada por pessoas não familiarizadas com a mesma ou que não tenham lido estas instruções.** As ferramentas eléctricas são perigosas quando utilizadas por pessoas não qualificadas.
- e. **Proceda à manutenção das ferramentas eléctricas. Verifique se as partes móveis estão desalinhasadas ou bloqueadas, se existem peças partidas ou qualquer outra situação que possa afectar o funcionamento das ferramentas eléctricas. As peças danificadas devem ser reparadas antes da utilização da ferramenta eléctrica.** Muitos acidentes são provocados por falta de manutenção das ferramentas eléctricas.
- f. **Mantenha as ferramentas de corte afiadas e limpas.** Ferramentas de corte com a manutenção adequada e extremidades afiadas bloqueiam com menos frequência e são mais fáceis de controlar.
- g. **Utilize a ferramenta eléctrica, acessórios e peças de ferramenta de acordo com estas instruções, considerando as condições de trabalho e a tarefa a ser executada.** A utilização da ferramenta eléctrica para fins diferentes dos previstos pode resultar em situações perigosas.

## 5. Reparação

- a. **A sua ferramenta eléctrica só deve ser reparada por pessoal qualificado e só devem ser colocadas peças sobressalentes originais.** Isso garante a manutenção da segurança da ferramenta eléctrica.

## Avisos de segurança adicionais para ferramentas eléctricas



**Atenção!** Avisos de segurança adicionais para electro serras

- ◆ **Mantenha todas as partes do corpo afastadas da corrente da serra quando a electro serra estiver em**

**funcionamento.** Antes de ligar a electro serra, **certifique-se de que a corrente da serra não está em contacto com nada.** Um momento de falta de atenção durante a utilização da electro serra poderá fazer com que o seu vestuário ou corpo fique preso na electro serra.

- ◆ **Segure sempre a electro serra com a mão direita no punho traseiro e a mão esquerda no punho dianteiro.** Segurar a electro serra com a disposição invertida das mãos aumenta o risco de lesões e nunca deverá ser efectuado.
- ◆ **Utilize óculos de segurança e protecção auricular. É recomendada a utilização de equipamento de protecção adicional para a cabeça, mãos, pernas e pés.** Um vestuário de protecção adequado reduzirá as lesões causadas por detritos em movimento ou pelo contacto accidental com a corrente da serra.
- ◆ **Não utilize uma electro serra numa árvore.** A utilização de uma electro serra numa árvore poderá resultar em lesões.
- ◆ **Mantenha-se sempre bem posicionado e utilize a electro serra apenas quando se encontrar numa superfície fixa, segura e nivelada.** As superfícies escorregadias ou instáveis, como, por exemplo, escadas, poderão causar uma perda do equilíbrio ou do controlo da electro serra.
- ◆ **Quando estiver a cortar uma pernada sob tensão, esteja atento à recuperação elástica.** Quando a tensão das fibras de madeira for libertada, a pernada sob tensão pode atingir o operador e/ou provocar o descontrolo da electro serra.
- ◆ **Tenha especial cuidado ao cortar galhos e casca de árvore.** O material fino e delgado poderá tocar na corrente da serra e saltar na sua direcção ou fazer com que se desequilibre.
- ◆ **Transporte a electro serra pelo punho dianteiro com a electro serra desligada e afastada do seu corpo.** Quando transportar ou armazenar a electro serra, **coloque sempre a tampa da barra de direcção.** Um manuseamento adequado da electro serra reduzirá a probabilidade de um contacto accidental com a corrente da serra em movimento.
- ◆ **Siga as instruções relativas à lubrificação, tensão da corrente e troca de acessórios.** Uma corrente incorrectamente tensionada ou lubrificada poderá partir ou aumentar a probabilidade de um contra-golpe
- ◆ **Mantenha os punhos secos, limpos e sem qualquer óleo ou gordura.** Os punhos com gorduras ou óleo são escorregadios, podendo provocar a perda de controlo.
- ◆ **Corte apenas madeira. Não utilize a electro serra para fins diferentes dos previstos.** Por exemplo: não utilize a electro serra para cortar plástico, pedra ou materiais de construção que não sejam madeira. A utilização da

electroserra para outros fins que não os previstos poderá resultar em situações perigosas.

- ◆ **Coloque o fio de modo a não ser ficar preso em ramos ou outros obstáculos semelhantes durante o corte.**
- ◆ O amortecedor afiado (16) poderá ficar mais afiado durante a vida útil do produto; manuseie com cuidado.
- ◆ **Ao manusear o produto, a corrente pode ficar quente; manuseie com cuidado.**

#### Causa e prevenção contra um contra-golpe

O contra-golpe pode ocorrer quando a ponta da barra de direcção toca num objecto ou quando a madeira se fechar e emperrar a corrente da serra no corte.

O contacto com a ponta poderá, em alguns casos, causar uma súbita reacção inversa, empurrando a barra de direcção para cima e para trás em direcção ao utilizador.

Prender a corrente da serra ao longo da parte superior da barra de direcção poderá empurrar a barra de direcção rapidamente para trás em direcção ao utilizador.

Qualquer uma destas reacções poderá fazer com que perca o controlo da electroserra, o que poderá causar lesões. Não dependa exclusivamente dos dispositivos de segurança integrados na sua electroserra. Como utilizador de uma electroserra, deverá tomar várias medidas para efectuar os seus trabalhos de corte sem acidentes ou lesões.

Um contra-golpe é o resultado de uma utilização errada da ferramenta e/ou de procedimentos ou condições de utilização incorrectos podendo ser evitado com medidas de precaução apropriadas, conforme descrito abaixo:

- ◆ **Segure com firmeza o punho, com os polegares e os dedos à volta dos punhos da electroserra. Com ambas as mãos na electroserra, posicione o corpo e o braço de modo a permitir resistência às forças de um contra-golpe.** As forças de um contra-golpe podem ser controladas pelo utilizador, se forem tomadas medidas de precaução apropriadas. Não largue a electroserra.
- ◆ **Mantenha sempre o equilíbrio e não corte a uma altura superior à do seu ombro.** Isto ajuda a impedir um contacto involuntário da ponta e permite um melhor controlo da electroserra em situações inesperadas.
- ◆ **Utilize apenas barras de direcção e correntes de substituição especificadas pelo fabricante.** As barras de direcção e correntes de substituição incorrectas poderão originar a quebra da corrente e/ou um contra-golpe.
- ◆ **Respeite as instruções de afiação e manutenção do fabricante para a corrente da serra.** Diminuir a altura do indicador de profundidade poderá originar um contra-golpe maior.
- ◆ Bater em metal, cimento ou outro material duro perto da madeira, ou furar a madeira, pode provocar um contra-golpe.

- ◆ Uma corrente desafiada ou solta pode provocar um contra-golpe.

#### ◆ Não tente inserir a serra num corte anterior, uma vez que poderá causar um contra-golpe. Faça sempre um corte novo. Recomendações de segurança para a electroserra

- ◆ Recomendamos que os utilizadores principiantes obtenham instruções práticas sobre a utilização da electroserra e equipamento de protecção junto de um utilizador experiente. A prática inicial deverá ser efectuada serrando um tronco num cavalete ou andaime.
- ◆ Antes da utilização, verifique sempre se o travamento contra-golpe funciona correctamente.
- ◆ Quando transportar a electroserra, recomendamos que se certifique de que o travão está accionado e de que a corrente da serra está virada para trás.
- ◆ Efectue a manutenção da sua electroserra quando não estiver em utilização. Não armazene a electroserra por qualquer período de tempo sem antes remover a corrente e a barra de direcção que deverão ficar mergulhadas em óleo. Armazene todas as peças da electroserra num local seco, seguro e fora do alcance das crianças.
- ◆ Recomendamos que drene o depósito do óleo antes de armazenar.
- ◆ Tenha cuidado com os passos que dá e estabeleça uma saída de segurança de uma queda de árvore ou troncos.
- ◆ **Utilize calços para ajudar a controlar o derrubamento e para evitar o bloqueamento da barra de direcção e da corrente na madeira.**
- ◆ Cuidados a ter com a corrente. Mantenha a corrente afiada e bem colocada na barra de direcção. Certifique-se de que a corrente da serra e a barra de direcção estão limpas e bem oleadas. Mantenha as pegas secas, limpas e sem qualquer óleo ou gordura.

#### Evite cortar

- ◆ Madeira preparada.
- ◆ O chão.
- ◆ Aroles metálicos, pregos, etc.

#### Vibração

Os valores de emissão de vibração declarados na secção de dados técnicos e na declaração de conformidade foram medidos de acordo com o método de teste padrão fornecido pela norma EN 60745 e podem ser utilizados para comparar ferramentas. O valor de emissão de vibração declarado pode ainda ser utilizado numa avaliação preliminar de exposição.

**Atenção!** O valor de emissão de vibração durante a utilização real da ferramenta eléctrica pode ser diferente do valor declarado, dependendo da forma como a ferramenta é

utilizada. O nível de vibração pode aumentar acima do nível indicado.

Quando avaliar a exposição da vibração para determinar as medidas de segurança exigidas pela 2002/44/EC para proteger pessoas que utilizem regularmente ferramentas eléctricas na sua actividade profissional, deve ser considerada uma estimativa de exposição de vibração, as actuais condições de utilização e o modo de como a ferramenta é utilizada, incluindo ainda todas as partes do ciclo de funcionamento, como os períodos de inactividade e espera da ferramenta, para além do tempo de funcionamento.

## Segurança eléctrica



Esta ferramenta tem um isolamento duplo e, por isso, não é necessário um fio de terra. Verifique sempre se a fonte de alimentação corresponde à tensão indicada na placa de especificações.

- ◆ Se o cabo de alimentação estiver danificado, terá de ser substituído pelo fabricante ou por um centro de assistência autorizado Black & Decker para evitar acidentes.

## Utilizar um cabo de extensão

- ◆ Utilize sempre um cabo de extensão aprovado e adequado à potência desta ferramenta (ver dados técnicos). O cabo de extensão deve ser adequado para utilização ao ar livre e marcado em conformidade. Pode utilizar um cabo de extensão HO7RN-F 2 X de 1,5 mm<sup>2</sup> até 30 m sem perda do desempenho do produto. Antes da utilização, verifique se o cabo de extensão apresenta sinais de envelhecimento, danos ou desgaste. Substitua o cabo de extensão se este se encontrar danificado ou avariado. Quando utilizar um enrolador de cabo, desenrole sempre o cabo totalmente.

## Tenha cuidado com os choques eléctricos

- ◆ Evite o contacto com superfícies aterradas tais como trilhos de metal, postes de iluminação, etc. A segurança eléctrica pode ser melhorada mediante a utilização de um Dispositivo de Corrente Residual (RCD) de alta sensibilidade (30 mA/30mS).



**Atenção!** A utilização de um RCD ou de outro disjuntor não desvincula o utilizador da sua electroserra das instruções de segurança e práticas de trabalho seguro fornecidas neste manual do utilizador.

## Instruções de segurança adicionais

- ◆ Este aparelho não deve ser utilizado por pessoas (incluindo crianças) que apresentem capacidades físicas, sensoriais ou mentais reduzidas ou que não possuam os conhecimentos e a experiência necessários, excepto se forem vigiadas e instruídas acerca da utilização do aparelho por uma pessoa responsável pela sua segurança.
- ◆ As crianças deverão ser vigiadas para que não mexam no aparelho.
- ◆ Certifique-se de que, em caso de acidente, existe alguém por perto (mas a uma distância de segurança).
- ◆ Se, por qualquer motivo, tiver de tocar na corrente da serra, certifique-se de que a electroserra está desligada da tomada.
- ◆ O ruído produzido por este produto pode ultrapassar os 85 dB(A). Recomendamos que tome as devidas medidas para proteger os ouvidos.

## Riscos residuais.

Podem surgir riscos residuais adicionais durante a utilização da ferramenta que poderão não constar nos avisos de segurança incluídos. Estes riscos podem resultar de má utilização, uso prolongado, etc.

Mesmo com a aplicação dos regulamentos de segurança relevantes e com a implementação de dispositivos de segurança, alguns riscos residuais não podem ser evitados. Incluem:

- ◆ ferimentos causados pelo contacto com peças em rotação/movimento.
- ◆ ferimentos causados durante a troca de peças, lâminas ou acessórios.
- ◆ ferimentos causados pela utilização prolongada de uma ferramenta. Quando utilizar uma ferramenta por períodos prolongados, faça intervalos regulares.
- ◆ diminuição da audição.
- ◆ problemas de saúde causados pela inalação de poeiras resultantes da utilização da ferramenta (exemplo: trabalhos em madeira, especialmente carvalho, faia e MDF.)

## Rótulos na ferramenta

A ferramenta apresenta os seguintes pictogramas:



**Atenção!** Para reduzir o risco de lesões, o utilizador deve ler o manual de instruções.



Utilize sempre protecção para os olhos e para os ouvidos





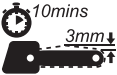
Não exponha a ferramenta à chuva ou humidade elevada..



Remova sempre a ficha da tomada antes de inspeccionar o cabo danificado. Tenha em atenção para não utilizar a electroseerra caso o cabo esteja danificado. .



Potência sonora garantida pela Directiva 2000/14/CEE.



Para garantir um funcionamento sempre seguro, verifique a tensão da corrente como descrito neste manual, a cada 10 minutos de utilização e ajuste-a até obter uma folga de 3 mm, como indicado.

## Funções

1. Interruptor para ligar/desligar
2. Botão de travamento
3. Tampão do óleo
4. Travamento do condutor frontal/corrente
5. Indicador do nível do óleo
6. Corrente
7. Barra de direcção
8. Protecção da corrente
9. Interruptor de controlo
10. Conjunto da protecção da corrente

## Montagem



**Atenção!** Utilize sempre luvas de protecção ao trabalhar na sua electroseerra.



**Atenção!** Antes de executar qualquer manutenção ou limpeza nas ferramentas eléctricas, desligue o dispositivo da tomada.

## Olear a corrente

Deverá efectuar este procedimento sempre que utilizar uma corrente (6) nova pela primeira vez. Retire a corrente (6) nova e mergulhe-a em óleo para correntes durante, pelo menos, uma hora antes de a utilizar. Utilize óleo para correntes Black & Decker.

Recomendamos que utilize apenas óleo Black & Decker durante a vida útil da sua electroseerra, pois as misturas de diferentes óleos poderão fazer com que o óleo se degrade, o que poderá reduzir drasticamente a vida útil da corrente da serra e criar riscos adicionais.

Nunca utilize óleo usado, óleo pesado ou óleo de máquina de costura muito leve. Podem danificar a electroseerra.

## Colocar a barra de direcção e a corrente. (fig. A - E)

- ◆ Coloque a electroseerra numa superfície estável.
- ◆ Coloque o conjunto do travamento do condutor frontal/corrente na posição para a frente (fig. D).
- ◆ Solte completamente o botão de controlo (9) (fig. A).
- ◆ Retire o conjunto da protecção da corrente (10).
- ◆ Coloque a corrente (6) sobre a barra de direcção (7), certificando-se de que as lâminas da corrente da serra na parte superior da barra de direcção (7) estão voltadas para a frente (fig. B).
- ◆ Coloque a corrente (6) à volta da barra de direcção (7) e puxe-a de forma a criar um arco de um dos lados na extremidade posterior da barra de direcção (7).
- ◆ Oriente a corrente (6) em torno da roda dentada de accionamento (12). Coloque a barra de direcção (7) nos suportes de localização da barra (13) (fig. E).

**Atenção!** Certifique-se de que o conjunto do travamento do condutor frontal/corrente (4) se encontra na posição definida (para a frente) antes de voltar a colocá-lo (fig. C).

- ◆ Antes de colocar o conjunto de protecção da corrente, verifique se o excêntrico (11) (fig. B) está na posição correcta. Se for necessário, prima e rode o botão de controlo (9) no sentido dos ponteiros do relógio para rodar o excêntrico para a posição correcta.
- ◆ Coloque a protecção da corrente, procurando o parafuso e utilizando o botão de controlo (9) para apertar bem a protecção da corrente.
- ◆ Para definir a tensão da corrente, desaperte o botão de controlo uma volta completa, prima com firmeza e rode no sentido dos ponteiros do relógio. À medida que a barra avança, certifique-se de que as ligações da corrente se encaixam na barra de direcção.
- ◆ Permita a recuperação elástica do botão de controlo para a posição 'out' e continue a rodar no sentido dos ponteiros do relógio para apertar a barra de direcção. Não a aperte em demasia.
- ◆ Verifique a tensão conforme descrito abaixo.

## Verificar e ajustar a tensão da corrente (fig. G)

Antes de utilizar e 10 minutos após cada utilização, deve verificar a tensão da corrente.

- ◆ Desligue a ferramenta da alimentação principal.
- ◆ Puxe ligeiramente a corrente (6), conforme ilustrado

(secção da fig. G). A tensão está correcta quando a corrente (6) faz pressão após ser puxada 3 mm na direcção oposta à barra de direcção (7). Não deverá restar qualquer 'folga' entre a barra de direcção (7) e a corrente (6) no lado inferior.

**Nota:** Não aplique uma tensão excessiva na corrente de serra, pois isto pode provocar um desgaste excessivo e irá reduzir a vida útil da barra de direcção e da corrente.

**Nota:** Quando a corrente é nova, verifique a tensão frequentemente (após desligar da corrente) durante as primeiras 2 horas de utilização, já que uma corrente nova tem tendência para esticar ligeiramente.

## Para aumentar a tensão

- ◆ Desaperte o botão de controlo uma volta completa, prima com firmeza e rode no sentido dos ponteiros do relógio até atingir a tensão pretendida. À medida que a barra avança, certifique-se de que as ligações da corrente se encaixam na barra de direcção.
- ◆ Permita a recuperação elástica do botão de controlo para a posição 'out' e continue a rodar no sentido dos ponteiros do relógio para apertar a barra de direcção. Não a aperte em demasia.

## Utilização

**Atenção!** Deixe a ferramenta funcionar ao seu próprio ritmo. Não a sobrecarregue.

## Encher o depósito de óleo (fig. F)

- ◆ Remova o tampão do óleo (3) e encha o depósito com o óleo recomendado para a corrente. Pode ver o nível de óleo no indicador do nível do óleo (5). Volte a colocar o tampão do óleo (3).
- ◆ Desligue periodicamente e verifique o indicador do nível do óleo (5); se estiver menos de um quarto cheio, desligue a electroserra da corrente e volte a encher o depósito com o óleo correcto.

## Ligar

- Nota:** Não será possível ligar a ferramenta se o conjunto do travamento do condutor frontal/corrente não estiver na posição 'definida'.
- ◆ Segure firmemente na electroserra com ambas as mãos. Mantenha o botão de destravamento (2) para a frente e prima o interruptor de ligar/desligar (1) para arrancar.
  - ◆ Quando o motor arrancar, retire o seu polegar do botão de bloqueio (2) e segure no punho firmemente.

Não force a ferramenta, permita antes que a ferramenta faça o trabalho. O trabalho será efectuado de forma mais eficaz e segura à velocidade para a qual a ferramenta foi concebida. A força excessiva esticará a corrente da serra (6).

## Como ajustar o travamento da corrente (fig. C)

- ◆ Verifique se a ferramenta está desligada da corrente eléctrica.
- ◆ Puxe o conjunto do travamento do condutor frontal/corrente (4) novamente para a posição 'definida' (fig. C).
- ◆ A ferramenta está pronta a ser utilizada.

## Como funciona o travamento da corrente anti-contragolpes

No caso de um contra-golpe, a sua mão esquerda entra em contacto com o condutor frontal, empurrando-o para trás, em direcção à peça de trabalho, parando a ferramenta em fracções de segundo.

## Como testar o travamento da corrente anti-contragolpes (fig. C)

- ◆ Antes da utilização, verifique sempre se o travamento contra-golpe funciona correctamente.
- ◆ Segure firmemente na ferramenta com ambas as mãos sobre uma superfície firme, certifique-se de que a corrente da serra (6) está afastada do solo e ligue-a (ver 'Como ligar a electroserra').
- ◆ Rode a mão esquerda para a frente à volta do punho frontal de modo a que as costas da sua mão entrem em contacto com o conjunto do travamento do condutor frontal/corrente (4) e o empurrem para a frente, em direcção à peça de trabalho (fig. C). A corrente da serra (6) deverá parar em fracções de segundo.

Para voltar a ajustar o funcionamento do conjunto do travamento do condutor frontal/corrente (4), siga as instruções sobre "Como ajustar o travamento da corrente".

**Nota:** Evite voltar a ligar a ferramenta antes de ouvir o motor parar completamente.

**Nota:** Se o travamento da corrente se avariar, leve o produto a um centro de assistência aprovado da Black & Decker.

## Se a corrente da serra (6) ou barra de direcção (7) ficar encravada

- ◆ Desligue a ferramenta.
- ◆ Desligue a ferramenta da alimentação principal.
- ◆ Abra o corte com calços para aliviar a tensão exercida sobre a barra de direcção (7). Não tente libertar a electroserra.
- ◆ Inicie um novo corte.

## Derrubamento (fig. H - J)

Os utilizadores inexperientes não deverão tentar derrubar árvores. O poderá sofrer lesões ou provocar danos materiais em consequência da perda de controlo da direcção da queda, a árvore poderá lascar ou poderão cair ramos danificados/mortos durante o corte.

A distância de segurança entre um ramo a derrubar e as

pessoas presentes, edifícios e outros objectos deve corresponder, no mínimo, a 2 1/2 vezes a altura da árvore. Todas as pessoas presentes, edifícios ou objectos que se encontrem dentro desta distância correm o risco de serem atingidos pela queda da árvore.

**Antes de tentar derrubar uma árvore:**

- ◆ Certifique-se de que não existem quaisquer leis ou regulamentações locais que impeçam ou regulem o derrube da árvore.
- ◆ Analise todos os elementos que possam afectar a direcção da queda, incluindo:
  - A direcção pretendida da queda.
  - A inclinação natural da árvore.
  - A existência de alguma estrutura ou apodrecimento de madeira pesada.
  - Árvores e obstáculos envolventes, incluindo linhas aéreas e canalizações subterrâneas.
  - A velocidade e direcção do vento.

Planeie antecipadamente uma saída segura para escapar a árvores ou ramos em queda. Certifique-se de que o caminho não possui obstáculos que possam impedir ou reduzir o movimento. Lembre-se de que a relva molhada e as cascas de árvore cortadas recentemente são escorregadias.

- ◆ Não tente derrubar árvores cujo diâmetro seja superior ao comprimento de corte da electroserra.
- ◆ Faça um corte de direcção para determinar a direcção da queda.
- ◆ Faça um corte horizontal a uma profundidade de 1/5 a 1/3 do diâmetro da árvore, de forma perpendicular à linha de queda na base da árvore (fig. H).
- ◆ Faça um segundo corte a partir de cima de modo a intersectar com o primeiro e efectuar um corte com cerca de 45°.
- ◆ Faça um único corte de derrubamento horizontal a partir do outro lado 25 a 50 milímetros acima do centro do corte de direcção. (fig. I). Não corte através do corte de direcção, pois poderá perder o controlo da direcção da queda.
- ◆ Coloque um ou mais calços no corte de derrubamento para o abrir e derrubar a árvore (fig. J).

**Podar árvores**

Certifique-se de que não existem quaisquer leis ou regulamentações locais que impeçam ou regulem o derrube da árvore. A poda apenas deverá ser efectuada por utilizadores experientes, pois existe um maior risco de a corrente da serra ficar presa e libertar um contra-golpe.

Antes da poda, deverão ser tomadas em consideração as condições que afectam a direcção da queda, incluindo:

- ◆ O comprimento e peso do ramo a cortar.
- ◆ A existência de alguma estrutura ou apodrecimento de madeira pesada.
- ◆ Árvores e obstáculos envolventes, incluindo linhas aéreas.
- ◆ A velocidade e direcção do vento.
  - ◆ O ramo estar entrelaçado com outros ramos.

O utilizador deverá tomar em consideração o acesso ao ramo da árvore e a direcção da queda. É provável que o ramo da árvore oscile em direcção ao tronco da árvore. Para além do utilizador, as pessoas, objectos e propriedade por baixo do ramo podem estar em perigo.

- ◆ Para evitar a criação de lascas, efectue o primeiro corte para cima a uma profundidade máxima de um terço do diâmetro do ramo.
- ◆ Faça o segundo corte para baixo de modo a ir ao encontro do primeiro.

**Cortar lenha (fig. K - M)**

Como cortar depende de como o tronco está apoiado. Utilize um cavalete sempre que possível. Inicie sempre um corte com a corrente da serra em funcionamento e o amortecedor afiado (16) em contacto com a madeira (fig. K). Para completar o corte, utilize uma acção pivotante do amortecedor afiado contra a madeira.

**Quando suportado ao longo de todo o respectivo comprimento:**

- ◆ Efectue um corte para baixo, mas evite cortar a terra, pois tal tornará a corrente da sua serra romba rapidamente.

**Quando apoiado em ambas as extremidades:**

- ◆ Primeiro, corte um terço para evitar que a madeira lasque e, depois, efectue um novo corte que vá de encontro ao primeiro.

**Quando apoiado numa extremidade:**

- ◆ Em primeiro lugar, corte um terço para cima de modo a evitar que a madeira lasque e, em segundo lugar, corte para baixo para evitar que a madeira lasque.

**Quando está num declive (fig. L):**

- ◆ Fique sempre no lado de cima.

**Quando tenta cortar um tronco no chão (fig. L):**

- ◆ Fixe a peça utilizando calços ou cunhas. O tronco não deve ser fixado pelo utilizador ou por um espectador sentando-se ou pondo-se de pé sobre o tronco. Certifique-se de que a corrente da serra não entra em contacto com o solo.

**Quando utilizar um cavalete (fig. M):**

É vivamente recomendado sempre que possível.

- ◆ Coloque o tronco numa posição estável. Corte sempre do lado de fora dos braços do cavalete. Utilize grampos ou correntes para fixar a peça de trabalho.

**Resolução de problemas**

Problema	Causa possível	Solução possível
A ferramenta não irá arrancar	Botão de bloqueio não premido.	Premir o botão de bloqueio.
	Condutor frontal na posição de travamento	Redefinir o condutor frontal
	Fusível fundido	Substituir fusível
	RCD torcido	Verificar RCD
	Cabo de alimentação não ligado	Verificar alimentação eléctrica
A corrente não para automaticamente quando a ferramenta é desligada	A tensão da corrente está demasiado folgada	Verificar tensão da corrente
Barra/corrente quente/com fumo	Depósito de óleo vazio	Verificar nível de óleo do depósito
	Orifício do óleo bloqueado na barra da corrente	Limpar orifício do óleo
	A tensão da corrente está demasiado apertada	Verificar tensão da corrente
	A ponta da roda dentada da barra de direcção necessita de lubrificação	Lubrificar ponta da roda dentada da barra de direcção
A electroserra não corta bem	Rodar a corrente para trás	Verificar/modificar direcção da corrente
		Afiar
A electroserra não está a usar o óleo	Detritos no depósito	Esvaziar óleo do depósito e reabastecer
	Orifício de óleo bloqueado na tampa	Remover detritos do orifício
	Detritos na barra da corrente	Remover detritos e limpar a barra da corrente
	Detritos na saída do óleo	remover detritos

**Manutenção**

Uma manutenção regular assegura à ferramenta um tempo de vida útil longo. Recomendamos que efectue as seguintes inspecções regularmente.

**Atenção!** Antes de proceder a qualquer acção de manutenção em ferramentas eléctricas com cabo/sem fios:

- ◆ Desligue a ferramenta da alimentação principal.

**Nível do óleo**

O nível do depósito não deve estar a menos de um quarto.

**Corrente da serra e barra de direcção (fig. G)**

- ◆ Após poucas horas de utilização e antes de armazenamento, remova a barra de direcção (7) e a corrente da serra (6) e, em seguida, limpe-as exaustivamente.
- ◆ Certifique-se de que a protecção está limpa e que não tem sujidade.
- ◆ Ao montar de novo, vire a barra de direcção (7) a 180º e lubrifique a ponta da roda dentada através do orifício de lubrificação da roda dentada (17). Isto assegura uma distribuição uniforme do desgaste à volta dos trilhos da barra de direcção.

**Afiar a corrente**

Se pretende obter os melhores resultados desta ferramenta, é importante manter os dentes da corrente de serra afiados. Pode encontrar orientação para este procedimento na embalagem do afiador. Para este propósito, recomendamos a compra do kit de afiador da corrente Black & Decker (disponível nos representantes de assistência da Black & Decker e distribuidores aprovados).

**Substituir correntes de serra gastas**

Estão disponíveis correntes de serra de substituição nos revendedores ou representantes da Black & Decker. Utilize sempre peças sobresselentes originais.

**Afição da corrente**

As lâminas da corrente da serra ficarão imediatamente rombas se tocarem no solo ou num prego durante o corte.

**Tensão da corrente**

Verifique regularmente a tensão da corrente da serra.

**O que fazer se a sua electroserra necessitar de reparação.**

A sua electroserra foi fabricada em conformidade com os requisitos de segurança aplicáveis. As reparações devem ser realizadas por uma pessoa qualificada utilizando peças sobresselentes originais, caso contrário, poderão ocorrer

perigos consideráveis para o utilizador. Recomendamos que mantenha o manual do utilizador em local seguro.

## Protecção do ambiente



Recolha separada. Este produto não pode ser eliminado juntamente com os resíduos domésticos normais.

Se, em algum momento, for necessário substituir este produto Black & Decker ou se este deixar de ter utilidade, não elimine o produto num caixote do lixo. Este produto pode ser separado para reciclagem.



A recolha separada de produtos e embalagens usados permite que os materiais sejam reciclados e reutilizados. A reutilização de materiais reciclados ajuda a evitar a poluição ambiental e reduz a procura de matérias-primas.

A legislação local poderá prever a recolha separada de produtos domésticos eléctricos, seja em lixeiras municipais ou através do revendedor quando adquire um produto novo.

A Black & Decker dispõe de instalações para recolha e reciclagem de produtos Black & Decker quando estes atingem o fim da vida útil. Para usufruir deste serviço, devolva o produto em qualquer agente de reparação autorizado, que os recolherá em seu nome.

Pode verificar a localização do agente de reparação autorizado mais perto de si, contactando os escritórios locais da Black & Decker através do endereço indicado neste manual. Se preferir, pode encontrar na Internet uma lista de agentes de reparação autorizados Black & Decker, detalhes completos e contactos do serviço pós-venda, no endereço:

[www.2helpU.com](http://www.2helpU.com)

## Dados técnicos

		GK1630T	GK1635T
		Typ. 5	Typ. 5
Comprimento da barra	cm	30	35
Tensão	V <sub>AC</sub>	230	230
Potência	W	1600	1600
Velocidade da corrente (sem carga)	m/s	8	8
Comprimento máximo de corte	cm	30	35
Capacidade do óleo	ml	180	180
Peso	kg	3.7	3.8
Classe de segurança		II	II

		GK1640T	
		Typ. 5	
Comprimento da barra	cm	40	
Tensão	V <sub>AC</sub>	230	
Potência	W	1600	
Velocidade da corrente (sem carga)	m/s	8	
Comprimento máximo de corte	cm	40	
Capacidade do óleo	ml	180	
Peso	kg	3.9	
Classe de segurança		II	

### Nível de pressão acústica de acordo com EN 60745:

Pressão acústica (L<sub>PA</sub>) 92 dB(A), imprecisão (K) 3 dB(A)

Potência acústica (L<sub>WA</sub>) 103 dB(A), imprecisão (K) 3 dB(A)

### Valores totais de vibração (soma vectores triax) de acordo com EN 60745:

Valor de emissão de vibração (a<sub>v</sub>) 5 m/s<sup>2</sup>, imprecisão (K) 1,5 m/s<sup>2</sup>

## Declaração de conformidade CE

DIRECTIVA MÁQUINAS  
DIRECTIVA DE RUIDO AMBIENTE



A Black & Decker declara que os produtos descritos em "dados técnicos" estão em conformidade com as seguintes normas:

GK1630T, GK1635T, GK1640T  
98/37/CEE (até 28 Dez. 2009), 2006/42/CEE (a partir de 29 Dez. 2009), EN 60745-1, EN 60745-2-13

2000/14/EC, Serra de Corrente, Anexo V  
KEMA Quality B.V., Utrechtseweg 310, 6802 ED Arnhem, The Netherlands  
Notified Body ID No.: 0344

Nível de potência acústica de acordo com 2000/14/CEE (Artigo 13, Anexo III):

$L_{WA}$  (potência sonora medida) 103 dB(A)  
Imprecisão = 3 dB(A)

$L_{WA}$  (potência sonora garantida) 103 dB(A)  
Imprecisão = 3 dB(A)

Estes produtos estão também em conformidade com a directiva 2004/108/CEE. Para obter mais informações, contacte a Black & Decker no endereço indicado ou consulte a parte posterior do manual.

O signatário é responsável pela compilação do ficheiro técnico e efectua esta declaração em nome da Black & Decker.

Kevin Hewitt  
Vice-Presidente, Engenharia Global  
Black & Decker Europe, 210 Bath Road, Slough,  
Berkshire, SL1 3YD  
Reino Unido  
01-12-2009

## Garantia

A Black & Decker confia na qualidade dos seus produtos e oferece uma garantia excelente. Esta declaração de garantia é um complemento dos seus direitos estabelecidos por lei, não os prejudicando de forma alguma. A garantia é válida nos territórios dos Estados Membros da União Europeia e da Associação Europeia de Comércio Livre.

Se um produto Black & Decker avariar devido a defeitos de material, fabrico ou não conformidade, num período de 24 meses após a data da compra, a Black & Decker garante a substituição das peças defeituosas, a reparação de produtos sujeitos a um desgaste aceitável ou a substituição dos mesmos para garantir o mínimo de inconvenientes ao cliente, excepto se:

- ◆ O produto tiver sido utilizado para fins comerciais, profissionais ou de aluguer.
- ◆ O produto tiver sido submetido a utilização indevida ou descuido;
- ◆ O produto tiver sido danificado por objectos estranhos, substâncias ou acidentes;
- ◆ Tiverem sido tentadas reparações por pessoas que não sejam agentes de reparação autorizados ou técnicos de manutenção da Black & Decker.

Para accionar a garantia, terá de apresentar comprovativos de compra ao vendedor ou a um agente de reparação autorizado. Pode verificar a localização do agente de reparação autorizado mais perto de si, contactando os escritórios locais da Black & Decker através do endereço indicado neste manual. Se preferir, pode encontrar na Internet uma lista de agentes de reparação autorizados Black & Decker, detalhes completos e contactos do serviço pós-venda, no endereço: [www.2helpU.com](http://www.2helpU.com)

Visite o nosso Web site [www.blackanddecker.co.uk](http://www.blackanddecker.co.uk) para registar o seu novo produto Black & Decker e manter-se actualizado relativamente a novos produtos e ofertas especiais. Pode encontrar mais informações sobre a marca Black & Decker e sobre a nossa gama de produtos em [www.blackanddecker.co.uk](http://www.blackanddecker.co.uk)

## Användningsområde

Denna kedjesåg från Black & Decker är avsedd för trädfällning, beskärning och vedkapning. Verktøget är endast avsett som konsumentverktøg.

## Säkerhetsanvisningar

### Allmänna säkerhetsanvisningar för elverktøg



**Varning!** Läs alla säkerhetsföreskrifter och alla anvisningar. Fel som uppstår till följd av att säkerhetsföreskrifterna och anvisningarna nedan inte följts kan orsaka elstötar, brand och/eller allvarliga kroppsskador.

Spara alla säkerhetsföreskrifter och anvisningar för framtida bruk. Begreppet "elverktøg" nedan syftar på nätdrivna elverktøg (med nätsladd) och batteridrivna elverktøg (sladdlösa).

#### 1. Säkerhet i arbetsområdet

- Se till att arbetsplatsen är obelamrad och välbelyst. Oreda eller dålig belysning på arbetsplatsen kan leda till olyckor.
- Använd inte elverktøget i explosionsfarlig omgivning, t.ex. i närheten av brännbara vätskor, gaser eller damm. Elverktøg alstrar gnistor som kan antända dammet eller gaserna.
- Håll barn och andra personer på betryggande avstånd vid arbete med elverktøget. Om du störs kan du förlora kontrollen.

#### 2. Elsäkerhet

- Elverktøgets stickkontakt måste passa i eluttaget. Stickkontakten får absolut inte ändras. Använd inte adapterkontakter tillsammans med jordade elverktøg. Med oförändrade stickkontakter och passande vägguttag minskas risken för elstötar.
- Undvik kroppskontakt med jordade ytor, t.ex. rör, värmelement, spisar och kylskåp. Det finns en större risk för elstötar om din kropp är jordad.
- Skydda elverktøget mot regn och väta. Om vatten tränger in i ett elverktøg ökar risken för elektriska stötar.
- Hantera nätsladden varsamt. Använd inte sladden för att bära eller dra elverktøget och inte heller för att dra ut kontakten ur vägguttaget. Håll nätsladden borta från värme, olja, skarpa kanter och rörliga maskindelar. Risken att du får en elstöt är större om sladdarna är skadade eller tillrasslade.
- Använd endast förlängningssladdar som är godkända för utomhusbruk när du arbetar med elverktøg

utomhus. Om du använder en förlängningssladd som är avsedd för utomhusbruk minskar risken för att du ska få en elstöt.

- Om du måste använda ett elverktøg på en fuktig plats ska du använda jordfelsbrytare. Jordfelsbrytaren minskar risken för elektriska stötar.

#### 3. Personlig säkerhet

- Var uppmärksam, fokusera på det du gör och använd elverktøget med föruft. Använd inte elverktøget när du är trött eller om du är påverkad av droger, alkohol eller mediciner. Under användning av elverktøg kan även en kort uppmärksamhet leda till allvarliga kroppsskador.
- Använd personlig skyddsutrustning. Bär alltid skyddsglasögon. Den personliga skyddsutrustningen, t. ex. dammfiltermask, halkfria säkerhetsskor, hjälm och hörselskydd, minskar risken för kroppsskada när den används vid rätt tillfällen.
- Undvik oavsiktlig igångsättning. Kontrollera att strömbrytaren står i avstängt läge innan du ansluter verktøget till elnätet eller sätter i batteriet samt innan du tar upp eller bär verktøget. Det kan vara mycket farligt att bära ett elverktøg med fingret på strömbrytaren eller koppla det till nätet respektive sätta i batteriet med strömbrytaren i till-läge.
- Ta bort alla inställningsverktøg och skruvnycklar innan du startar elverktøget. Ett verktøg eller en nyckel i en roterande komponent kan medföra kroppsskada.
- Sträck dig inte för långt. Se till att du alltid har säkert fotfäste och balans. På så sätt kan du lättare kontrollera elverktøget i oväntade situationer.
- Bär lämpliga kläder. Bär inte löst hängande kläder eller smycken. Håll undan hår, kläder och handskar från rörliga delar. Löst hängande kläder, smycken och långt hår kan dras in av roterande delar.
- Om elverktøget har dammuppsugnings- och uppsamlingsutrustning kontrollerar du att den är monterad och används på korrekt sätt. Utrustningen kan minska riskerna när damm bildas.

#### 4. Bruk och skötsel av elverktøg

- Överbelasta inte elverktøget. Använd rätt elverktøg för det aktuella arbetet. Med rätt elverktøg kan du arbeta bättre och säkrare med det som verktøget är avsett för.
- Använd inte elverktøget om det inte kan startas och stängas av med strömbrytaren. Ett elverktøg som inte kan slås av och på är farligt och måste repareras.
- Draga stickproppen ur vägguttaget och/eller ta ut batteriet ur elverktøget innan inställningar görs, tillbehörsdelar byts ut eller elverktøget ställs undan. Denna säkerhetsåtgärd förhindrar oavsiktlig start av elverktøget.



- d. Förvara elverktyg utom räckhåll för barn. Låt inte personer som inte är vana vid elverktyget eller som inte läst denna bruksanvisning använda det. Elverktyg är farliga om de används av oerfarna personer.
- e. Sköt elverktyget omsorgsfullt. Kontrollera att rörliga komponenter fungerar felfritt och inte kärvar, att komponenter inte gått sönder eller skadats och inget annat föreligger som kan påverka elverktygets funktion. Om elverktyget är skadat ska du se till att få det reparerat innan det används. Många olyckor orsakas av dåligt skötta elverktyg.
- f. Håll skärverktyg skarpa och rena. Omsorgsfullt skötta skärverktyg med skarp egg fastnar inte så lätt och går lättare att styra.
- g. Använd elverktyg, tillbehör, bits m.m. enligt dessa anvisningar och beakta arbetsvillkoren och det arbete som ska utföras. Om elverktyget används på icke ändamålsenligt sätt kan farliga situationer uppstå.

## 5. Service

- a. **Låt en kvalificerad reparatör som bara använder originaldelar utföra service på elverktyget.** Då vet du att elverktyget förblir säkert.

## Ytterligare säkerhetsanvisningar för elverktyg



**Varning!** Extra säkerhetsföreskrifter för motorsågar

- ◆ Håll alla kroppsdelar borta från kedjan när sågen är igång. Se till att kedjan inte vidrör något innan du startar sågen. Bara ett ögonblicks uppmärksamhet när du använder sågen kan leda till att kläder eller delar av kroppen kommer i kontakt med kedjan.
- ◆ Håll alltid kedjesågen med din högra hand på det bakre handtaget och din vänstra hand på det främre handtaget. Håll aldrig sågen med händerna i omvänd ordning eftersom risken för personskador då ökar.
- ◆ Använd skyddsglasögon och hörselskydd. Ytterligare skyddsutrustning för huvud, händer, ben och fötter rekommenderas. Lämpliga skyddskläder minskar personskador till följd av flygande träbitar eller oavsiktlig kontakt med sågens kedja.
- ◆ Använd inte sågen uppe i träd. Användning av en kedjesåg uppe i ett träd kan orsaka personskada.
- ◆ Se alltid till att ha ordentligt fotfäste och stå på ett stadigt, säkert och jämnt underlag när du använder sågen. Hala eller instabila underlag, t.ex. stegar, kan få dig att tappa balansen eller förlora kontrollen över sågen.
- ◆ Var uppmärksam på att en spänd gren som sågas av kan fjädra tillbaka. När spänningen i träfibren släpper kan den fjädrande grenen träffa den som sågar och/eller slå sågen ur händerna.

- ◆ Iaktta stor försiktighet vid kapning av buskar och unga träd. Tunna grenar kan fastna i kedjan och slå tillbaka mot dig eller få dig att tappa balansen.
- ◆ Bär kedjesågen i det främre handtaget och se till att den är avstängd och att kedjan inte kommer i kontakt med kroppen. Se alltid till att svärdskyddet är på under transport eller förvaring. Om sågen hanteras på rätt sätt minskas risken för oavsiktlig kontakt med kedjan när den är i rörelse.
- ◆ Följ anvisningarna för smörjning, kedjespänning och byte av tillbehör. En felaktigt spänd eller smord kedja kan gå av eller medföra ökad risk för kast
- ◆ Håll handtagen torra, rena och fria från olja och fett. Oljiga handtag är hala och gör sågen okontrollerbar.
- ◆ Såga endast i trä. Använd inte sågen till annat än det den är avsedd för. Exempel: Använd den inte till att såga plast, murverk eller byggmaterial som inte är av trä. Användning av sågen på annat sätt än det avsedda kan framkalla fara.
- ◆ Placera sladden så att den inte fastnar i grenar eller liknande under sågning.
- ◆ Barkstödet (16) kan bli vasst under produktens livslängd. Var försiktig med det.
- ◆ Svärdet kan bli varmt när produkten används. Var försiktig med det.

Orsaker till kast och hur man förebygger dessa

Kast kan uppstå om svärdets nos eller spets kommer i kontakt med ett föremål, eller om träet sluter sig och nyper kedjan i skåran.

Spetskontakt kan i vissa fall orsaka en plötslig omvänd reaktion så att svärdet slås uppåt och bakåt mot användaren. Om kedjan nyps längs svärdets översida kan svärdet hastigt slungas bakåt mot användaren.

Båda dessa reaktioner kan få dig att tappa kontrollen över sågen, vilket kan leda till allvarlig personskada. Förlita dig inte enbart på sågens inbyggda säkerhetsanordningar. Du bör vidta mått och steg för att undvika olyckshändelser och skador när du använder sågen.

Kast uppstår till följd av felaktig användning och/eller hantering av sågen. Detta kan undvikas med de skyddsåtgärder som beskrivs nedan:

- ◆ Se till att du har ett fast grepp med tummarna och fingrarna ordentligt omslutna om handtagen. Håll sågen med båda händerna och placera kroppen och armarna på ett sätt som gör att du kan stå emot kraften från eventuella kast. Kraften i ett kast kan bemästras av användaren om vissa försiktighetsåtgärder vidtagits. Släpp inte sågen.
- ◆ Sträck dig inte för långt och såga aldrig ovanför axelhöjd. Det minskar risken för oavsiktlig spetskontakt och ger dig bättre kontroll över sågen i oväntade situationer.

- ◆ Använd endast av tillverkaren angivna svärd och kedjor vid byte. Byte till fel svärd eller kedja kan medföra att kedjan går av och/eller att kast uppstår.
- ◆ Följ tillverkarens anvisningar för slipning och underhåll av kedjan. Minskning av riktskårets djup kan medföra ökad risk för kast.
- ◆ Kast kan orsakas av att man stöter på metall, cement eller annat hårt material i närheten av eller inuti träet.
- ◆ En slö eller ospänd kedja kan orsaka kast.
- ◆ För inte in sågen i en gammal skåra. Det kan orsaka kast. Börja alltid med ett nytt skär.

### Säkerhetsrekommendationer för kedjesågen

- ◆ Vi rekommenderar starkt att ovana användare instrueras av en erfaren användare om hur sågen och skyddsutrustningen ska användas. Den inledande övningen bör vara att såga ved på en sågbock eller i en hållare.
- ◆ Kontrollera alltid att kastbromsen fungerar korrekt innan du använder verktyget.
- ◆ Vi rekommenderar att bromsen är tillslagen och att kedjan är riktad bakåt när du bär kedjesågen.
- ◆ Sköt om kedjesågen när den inte är i bruk. Lägg inte undan sågen under längre tid utan att först ta bort kedjan och svärdet, som bör förvaras i olja. Förvara sågens delar på ett torrt och säkert ställe, utom räckhåll för barn.
- ◆ Vi rekommenderar att du tömmer oljebehållaren innan sågen läggs i förvar.
- ◆ Se till att du har ordentligt fölfäste och förbered en nödutväg bort från fallande träd eller grenar.
- ◆ Använd kilar för att kontrollera fällningen och undvika att svärdet och sågkedjan kläms fast i skåran.
- ◆ Skötsel av kedjan. Kedjan skall vara vass och tätt spänd mot svärdet. Se till att kedjan och svärdet är rena och väl inoljade. Håll handtagen torra, rena och fria från olja och fett.

### Undvik att såga i

- ◆ Förbehandlat timmer.
- ◆ Marken.
- ◆ Trådstångsel, spik o.s.v.

### Vibrationer

De uppgivna vibrationsvärdena i avsnitten Tekniska data och EU-förklaring om överensstämmelse har uppmätts i enlighet med en standardtestmetod föreskriven i EN 60745 och kan användas för jämförelse med andra verktyg. Det angivna vibrationsvärdet kan även användas för en preliminär bedömning av exponeringen.

**Varning!** Vibrationsvärdet under faktisk användning av elverktyget kan skilja sig från det uppgivna värdet beroende

på hur verktyget används. Vibrationsnivån kan överstiga den angivna nivån.

Vid uppskattning av vibrationsexponering i syfte att bedöma vilka säkerhetsåtgärder som är nödvändiga enligt 2002/44/EG för att skydda personer som regelbundet använder elverktyg i arbetet ska man utgå från de faktiska omständigheter under vilka elverktyget används och sättet på vilket det används. Bedömningen ska även ta hänsyn till alla moment i arbetscykeln, t.ex. när verktyget är avstängt och när det går på tomgång såväl som när det faktiskt används.

### Elsäkerhet



Eftersom verktyget är dubbelisolerat behövs ingen jordledare. Kontrollera alltid att nätspänningen överensstämmer med värdet på typskylten.

- ◆ Om nätsladden är skadad måste den för undvikande av fara bytas ut av tillverkaren eller en auktoriserad Black & Decker-verkstad.

### Använda förlängningssladd

- ◆ Använd alltid en godkänd förlängningssladd som klarar verktygets ineffekt (se Tekniska data). Förlängningssladden måste vara lämplig för utomhusbruk och märkt därefter. Det går att använda en  $2 \times 1,5 \text{ mm}^2$  HO7RN-F-förlängningssladd som är upp till 30 m lång utan spänningsförlust. Innan du använder sladden kontrollera du att den inte är skadad, sliten eller nött. Byt ut förlängningssladden om den är skadad eller defekt. När du använder en sladdvinda ska du alltid dra ut hela sladden.

### Förebygg risk för elektriska stötar

- ◆ Undvik kroppskontakt med jordade ytor (t.ex. metallräcken, lyktstolpar m.m.). Elsäkerheten kan förbättras ytterligare om en jordfelsbrytare med hög känslighet (30 mA/30 mS) används.



**Varning!** Även om jordfelsbrytare används, ansvarar användaren av sågen för att säkerhets- och hanteringsanvisningarna i den här handboken följs.

### Ytterligare säkerhetsinstruktioner

- ◆ Apparaten ska inte användas av personer (inklusive barn) med nedsatt fysisk eller psykisk förmåga eller bristande erfarenhet och kunskap, om de inte får vägledning och övervakas av en person som ansvarar för deras säkerhet.
- ◆ Barn ska hållas under uppsikt så att de inte leker med apparaten.

- ◆ Se till att ha någon i närheten (på säkert avstånd) i händelse av olycka.
  - ◆ Om du av någon anledning måste vidröra kedjan bör du först se till att sågen inte är ansluten till elnätet.
  - ◆ Detta verktyg kan nå en bullernivå över 85 dB(A).
- Vi rekommenderar därför att du vidtar lämpliga åtgärder för att skydda din hörsel.



Du bör kontrollera att kedjan är ordentligt spänd var tionde minut (se anvisningarna i den här bruksanvisningen) och justera den inom en marginal på 3 mm efter behov

## Övriga risker.

Ytterligare risker som inte finns med i de bifogade säkerhetsföreskrifterna kan uppstå när verktyget används. Dessa risker kan uppstå vid felaktig användning, långvarig användning, o.s.v.

Även om alla relevanta säkerhetsföreskrifter följs och säkerhetsanordningar används kan vissa ytterligare risker inte undvikas. Dessa innefattar:

- ◆ Skador orsakade av att roterande/rörliga delar vidrörs.
- ◆ Skador som uppstår vid byte av delar, blad eller tillbehör.
- ◆ Skador som orsakas av långvarig användning av ett verktyg. Se till att ta regelbundna raster när du använder ett verktyg under en längre period.
- ◆ Skador på hörseln.
- ◆ Hälsofaror orsakade av inandning av damm när verktyget används (exempel: arbete med trä, särskilt ek, bok och MDF).

## Etiketter på verktyget

Följande symboler finns på redskapet:



**Varning! Läs bruksanvisningen före användning för att minska risken för olyckor.**



Använd alltid skydd för öron och ögon



Utsätt inte verktyget för regn och väta.



Dra alltid ur kontakten ur eluttaget innan du undersöker en skadad sladd. Använd aldrig kedjesågen om sladden skulle vara skadad.



Garanterad ljudnivå enligt direktiv 2000/14/EG

## Funktioner

1. Strömbrytare
2. Låsknapp
3. Oljelock
4. Kastskydd/kedjebroms
5. Indikator för oljenivå
6. Kedja
7. Svärd
8. Kedjeskydd
9. Hastighetsreglage
10. Montering av kedjeskydd

## Montering



**Varning!** Använd alltid skyddshandskar när du hanterar sågen.



**Varning!** Innan något underhåll utförs på ett elverktyg måste det stängas av och sladden dras ur vägguttaget.

## Smörjning av kedjan

Detta måste alltid göras innan du använder en ny kedja (6) för första gången. Lägga den nya kedjan (6) i blöt i kedjeolja i minst en timme innan den används. Använd kedjeolja från Black & Decker.

Vi rekommenderar att du alltid använder olja från Black & Decker under kedjesågens hela livslängd, eftersom en blandning av oljor kan ge oljan försämrade egenskaper, vilket i sin tur kan förkorta kedjans livslängd avsevärt och framkalla ytterligare risker.

Använd aldrig spillolja, tjock olja eller mycket tunn symaskinsolja. De kan skada kedjesågen.

## Montera svärd och kedja. (fig. A–E)

- ◆ Lägga sågen på ett stadigt underlag.
- ◆ För kastskyddet/kedjebromsen till främre läget (fig. D).
- ◆ Lossa reglaget (9) helt (fig. A).
- ◆ Ta av kedjeskyddet (10).
- ◆ Placera kedjan (6) över svärdet (7) och se till att kedjeskären på svärdets (7) ovansida är vända framåt (fig. B).
- ◆ För kedjan (6) runt svärdet (7) och dra den så att en ögla bildas åt ena hållet mot svärdets (7) bakre ände.

- ◆ Lagg kedjan (6) runt drivhjulet (12). Sätt svärdet (7) på styrtapparna (13) (fig. E).

**Varning!** Se till att kastskyddet/kedjebromsen (4) är i (främre) läge innan den sätts tillbaka (fig. C).

- ◆ Innan du monterar kedjeskyddet kontrollerar du att kammen (11) (fig. B) är i rätt läge. Tryck vid behov in och vrid reglaget (9) medurs för att kammen ska hamna i rätt läge.
- ◆ Montera kedjeskyddet genom att hitta bulten och använda reglaget (9) för att dra fast kedjeskyddet med fingrarna.
- ◆ Du spänner kedjan genom att lossa reglaget ett varv och sedan trycka in och vrida reglaget medurs. I takt med att svärdet rör sig framåt ser du till att kedjans länkar matas in mot svärdet.
- ◆ Låt reglaget fjädra tillbaka till yttre läget och vrid reglaget ytterligare medurs för att fästa svärdet. Spänn inte kedjan för hårt.
- ◆ Kontrollera kedjespänningen enligt anvisningarna nedan.

### Kontroll och justering av kedjespänning (fig. G)

Kontrollera att kedjan är ordentligt spänd innan du använder den och därefter var 10:e minut under användningen.

- ◆ Koppla bort den från elnätet.
- ◆ Dra lätt i kedjan (6) enligt beskrivningen (infälld fig. G). Kedjan (6) har rätt spänning när den fjädrar tillbaka efter att ha dragits ut 3 mm från svärdet (7). Kedjan (6) skall inte hänga löst från svärdet (7) på undersidan.

**Obs!** Spänn inte kedjan för hårt eftersom det ger ökad förlitning och kommer att förkorta svärdets och kedjans livslängd.

**Obs!** När kedjan är ny ska spänningen kontrolleras ofta (efter att sladden dragits ur eluttaget) under de första 2 timmarnas användning eftersom en ny kedja tänjer ut sig något.

### Hårdare spänning av kedjan

- ◆ Lossa reglaget ett varv och tryck sedan in och vrid reglaget medurs tills önskad spänning uppnås. I takt med att svärdet rör sig framåt ser du till att kedjans länkar matas in mot svärdet.
- ◆ Låt reglaget fjädra tillbaka till yttre läget och vrid reglaget ytterligare medurs för att fästa svärdet. Spänn inte kedjan för hårt.

### Användning

**Varning!** Låt verktyget arbeta i sin egen takt. Överbelasta den inte.

### Fylla på oljebehållaren (fig. F)

- ◆ Ta av oljelocket (3) och fyll på behållaren med den rekommenderade kedjeoljan. Du kan se oljenivån i oljenivåindikatorn (5). Sätt på oljelocket (3).

- ◆ Stäng av sågen med jämna mellanrum och kontrollera oljenivån i indikatorn (5). Om nivån är under en fjärdedel, dra ur kedjesågens sladd ur eluttaget och fyll på med rekommenderad olja.

### Starta verktyget

**Obs!** Det går inte att starta verktyget om kastskyddet/kedjebromsen inte är i rätt läge.

- ◆ Fatta kedjesågen i ett fast grepp med båda händerna. Tryck på låsknappen (2) och tryck därefter på strömbrytaren (1) för att starta.
- ◆ När motorn startar, ta bort tummen från låsknappen (2) och fatta handtaget i ett fast grepp.

Överbelasta inte verktyget, låt verktyget göra arbetet.

Verktyget kommer att fungera bättre och säkrare i den hastighet som det är avsett för. Om verktyget pressas kommer kedjan att tänjas ut (6).

### Ställa in kedjebromsen (fig. C)

- ◆ Se till att verktyget inte är anslutet till eluttaget.
- ◆ Dra kastskyddet/kedjebromsen (4) bakåt till rätt läge (fig. C).
- ◆ Verktyget är nu klart för användning.

### Så här fungerar kastskyddets kedjebroms

I händelse av kast kommer din vänstra hand i beröring med kastskyddet och stöter det framåt mot arbetsstycket, varvid verktyget stannar inom några bråkdelar av en sekund.

### Så här testar du kastskyddet/kedjebromsen (fig. C)

- ◆ Kontrollera alltid att kastbromsen fungerar korrekt innan du använder verktyget.
- ◆ Fatta verktyget i ett fast grepp när det ligger på ett stabilt underlag. Se till att kedjan (6) går fri från underlaget, och starta sågen (se "Start av kedjesågen").
- ◆ Vrid vänster hand framåt runt det främre handtaget så att handryggen kommer i kontakt med kastskyddet (4) och trycker det framåt mot arbetsstycket (fig. C). Sågen (6) skall då stanna inom bråkdelen av en sekund.

Du återställer kastskyddet/kedjebromsen (4) när det använts genom att följa anvisningarna för "Ställa in kedjebromsen".

**Obs!** Starta inte om verktyget förrän du hör att motorn har stannat helt.

**Obs!** Om kedjebromsen inte fungerar bör du låta en godkänd Black & Decker-verkstad åtgärda felet.

### Om kedjan (6) eller svärdet (7) skulle fastna

- ◆ Stanna sågen.
- ◆ Koppla bort den från elnätet.
- ◆ Öppna skåran med kilar för att lätta på trycket på svärdet (7). Försök inte vrida loss sågen.
- ◆ Såga upp ett nytt spår.

## Trädfällning (fig. H – J)

Oerfarna användare skall inte försöka sig på trädfällning. Användaren kan skada sig själv eller orsaka skada på egendom till följd av misslyckad fallriktningskontroll. Trädet kan klyvas, och skadade eller döda grenar kan falla under sågningen.

Säkerhetsavståndet mellan ett träd som ska fällas och personer i närheten, byggnader och andra föremål är minst 2,5 gånger trädets höjd. Personer i närheten, byggnader eller föremål som befinner sig inom säkerhetsavståndet löper risk att träffas av det fallande trädet.

### Innan du faller ett träd:

- ◆ Ta reda på vad som gäller enligt lokala bestämmelser beträffande trädfällning.
- ◆ Överväg alla förhållanden som kan påverka fallriktningen, bland annat:
  - Den tänkta fallriktningen.
  - Trädets naturliga lutning.
  - Alla ovanligt kraftiga eller murkna grenar.
  - Kringstående träd och hinder, bland annat luftledning avlopp i marken.
  - Vindhastighet och -riktning.

Se i förväg ut en nödutväg från nedfallande träd eller grenar. Se till att utvägen är fri från sådant som kan hindra din förflyttning. Tänk på att vått gräs och nyskalad bark är halt.

- ◆ Försök inte fälla träd vars diameter är större än längden på sågens skärdel.
- ◆ Gör en riktskåra för att bestämma fallriktningen.
- ◆ Såga ett vågrätt skär i stammen med ett djup på mellan 1/5 och 1/3 av trädets diameter och i rätt vinkel mot falllinjen (fig. H).
- ◆ Såga det andra skäret ovanifrån så att det möter det första, och gör en skåra med ca 45° vinkel.
- ◆ Såga ett vågrätt fällskär från andra sidan 25–50 mm ovanför riktskårans mittpunkt. (fig. I). Såga inte igenom till riktskåran, eftersom du då kan förlora kontrollen över fallriktningen.
- ◆ Kör in en eller flera kilar i det sista skäret för att vidga det och fälla trädet (fig. J)

## Beskära träd

Ta reda på om det finns några lokala förordningar eller bestämmelser som förbjuder eller kontrollerar beskärning av träd. Beskärningsarbeten bör endast utföras av personer med erfarenhet eftersom det finns en ökad risk för att sågkedjan nyper och orsakar kast.

Innan beskärningen påbörjas bör de omständigheter som påverkar fallriktningen beaktas, t.ex:

- ◆ Längden och vikten på grenen som skall beskäras.
- ◆ Alla ovanligt kraftiga eller murkna grenar.
- ◆ Kringstående träd och hinder, även ovanför marken.
- ◆ Vindhastighet och -riktning.
- ◆ Om grenen är inflätad med andra grenar.

Användaren måste beakta åtkomsten till grenen och fallriktningen. Trädgrenarna kan röra sig mot trädstammen. Utöver användaren löper även omkringstående personer, föremål och egendom nedanför grenen risk att träffas.

- ◆ För att undvika flisor görs det första skäret i riktning uppåt och med ett djup på högst 1/3 av grenens diameter.
- ◆ Det andra skäret görs nedåt så att det möter det första.

## Kapning (fig. K–M)

Hur du ska kapa beror på vad stocken vilar på. Om möjligt, använd sågbock. Börja alltid såga med kedjan i gång och med barkstödet (16) liggande mot stocken (fig. K). Avsluta skäret med en vridrörelse med barkstödet mot stocken.

### Om stocken vilar på stöd utmed hela sin längd:

- ◆ Gör ett nedåtriktat skär, men undvik att såga i marken eftersom sågen då snabbt förlorar skärpa.

### Om stocken vilar på stöd i bägge ändar:

- ◆ Gör först ett skär nedåt en tredjedel för att undvika klyvning, och sedan ett skär som möter det första.

### Om stocken vilar på stöd i ena änden:

- ◆ Gör först ett skär uppåt en tredjedel för att undvika klyvning, och sedan ett skär nedåt.

### Med stocken lutande (fig. L):

- ◆ Stå alltid vid den övre änden.

### Om du kapar en stock som ligger på marken (fig. L):

- ◆ Se till att hålla arbetsstycket på plats med skruvstycken eller kilar. Försök inte hålla stocken på plats genom att du själv eller någon annan sitter på den. Se till att sågkedjan inte kommer i kontakt med marken.

### Om du använder sågbock (fig. M):

Om möjligt är detta det bästa sättet.

- ◆ Lägg stocken stadigt. Såga alltid utanför bockens ben. Använd tvingar eller remmar för att hålla stocken på plats.

## Felsökning

Problem	Möjlig orsak	Möjlig lösning
Verktyget startar inte	Du har inte tryckt på låsknappen.	Tryck på låsknappen.

Problem	Möjlig orsak	Möjlig lösning
	Kastskyddet befinner sig i bromsläget	Återställ kastskyddet
	Säkring trasig	Byt säkring
	Jordfelsbrytare utlöst	Kontrollera jordfelsbrytare
	Nätkabeln är inte ansluten	Kontrollera nätanslutningen
Kedjan stannar inte omedelbart när verktyget stängs av	Kedjan är inte ordentligt spänd	Kontrollera kedjespänningen
Svärdet/kedjan verkar vara het eller ryker	Oljetanken är tom	Kontrollera nivån i oljetanken
	Oljehålet är blockerat på svärdet	Rengör oljehålet
	Kedjan är för hårt spänd	Kontrollera kedjespänningen
	Svärdets kedjedrev måste smörjas	Smörj svärdets kedjedrev
Kedjesågen skär inte ordentligt	Kedjan är felvänd	Kontrollera/ändra kedjans riktning
		Göra skarp
Kedjesågen förbrukar ingen olja	Skräp i tanken	Töm tanken på olja och fyll på med ny olja
	Oljehålet i locket är blockerat	Avlägsna allt skräp från hålet
	Skräp på svärdet	Ta bort skräp och rengör svärdet
	Skräp i oljekanal	Avlägsna skräpet

## Slipning av kedjan

För att verktyget skall fungera så bra som möjligt är det viktigt att hålla sågtänderna vassa.

Anvisningar återfinns på slipens förpackning. Vi rekommenderar att du köper en slipsats för kedjesågar (finns att köpa hos auktoriserade Black & Decker-verkstäder och -återförsäljare).

## Byte av utslitna sågkedjor

Utbyteskedjor finns hos auktoriserade Black & Decker-verkstäder och -återförsäljare. Använd alltid originaldelar.

## Kedjans skärpa

Sågtänderna blir genast slöa om de kommer i kontakt med marken eller en spik under sågning.

## Kedjespänning

Kontrollera kedjespänningen regelbundet.

## Om kedjesågen behöver repareras.

Din kedjesåg har tillverkats i enlighet med alla relevanta säkerhetskrav. Reparationer ska bara utföras av kvalificerade personer som använder originaldelar, annars kan användaren utsättas för stor fara. Behåll den här bruksanvisningen och förvara den så att den inte kommer bort.

## Miljö



Separat insamling. Produkten får inte kastas i hushållssoptorna.

Tänk på miljön när du slänger denna Black & Decker-produkt. Släng den inte tillsammans med hushållsavfallet. Lämna produkten för separat insamling.



Insamling av uttjänta produkter och förpackningsmaterial gör att material kan återanvändas. Användning av återvunnet material minskar föroreningar av miljön och behovet av råmaterial.

Lokala föreskrifter kan kräva separat insamling av elprodukter från hushållen, vid kommunala samlingsplatser eller hos återförsäljaren när du köper en ny produkt.

Black & Decker samlar in och återvinner uttjänta Black & Decker-produkter. Om du vill utnyttja denna tjänst återlämnar du produkten till en auktoriserad verkstad, som samlar in den för vår räkning.

## Underhåll

Regelbundet underhåll ger verktyget en lång effektiv livslängd. Vi rekommenderar att du regelbundet utför följande kontroller.

**Varning!** Innan något underhåll utförs på elektriska redskap:

- ◆ Stäng av och koppla bort verktyget från elnätet.

## Oljenivå

Nivån i behållaren bör aldrig understiga en fjärdedel.

## Kedja och svärd (fig. G)

- ◆ Efter några timmars användning samt innan förvaring av redskapet skall svärdet (7) och kedjan (6) tas av och rengöras grundligt.
- ◆ Se till att skyddet är rent och fritt från skräp.
- ◆ Vid återmontering skall svärdet (7) vridas 180° och kedjedrevet smörjas via smörjhålet (17). Detta ger en jämn fördelning över hela svärdskanten.

För information om närmaste auktoriserade verkstad, kontakta det lokala Black & Decker-kontoret på den adress som är angiven i bruksanvisningen. En lista över alla auktoriserade verkstäder samt servicevillkor finns på Internet: [www.2helpU.com](http://www.2helpU.com)

**Tekniska data**

		GK1630T	GK1635T
		Typ. 5	Typ. 5
Svärdets längd	cm	30	35
Spänning	V <sub>AC</sub>	230	230
Ineffekt	W	1600	1600
Kedjehastighet (utan belastning)	m/s	8	8
Max. skärlängd	cm	30	35
Oljekapacitet	ml	180	180
Vikt	kg	3.7	3.8
Skyddsklass		II	II

		GK1640T
		Typ. 5
Svärdets längd	cm	40
Spänning	V <sub>AC</sub>	230
Ineffekt	W	1600
Kedjehastighet (utan belastning)	m/s	8
Max. skärlängd	cm	40
Oljekapacitet	ml	180
Vikt	kg	3.9
Skyddsklass		II

**Ljudnivå enligt EN 60745:**

Ljudnivå (L<sub>WA</sub>) 92 dB(A), osäkerhet (K) 3 dB(A)  
 Ljudeffekt (L<sub>WE</sub>) 103 dB(A), osäkerhet (K) 3 dB(A)

**Totala vibrationsvärden (vektorsumman av tre axlar) enligt EN 60745:**

Vibrationsvärde (a<sub>RM</sub>) 5 m/s<sup>2</sup>, osäkerhet (K) 1,5 m/s<sup>2</sup>

**EC-deklaration om överensstämmelse**

MASKINDIREKTIV  
 BULLERFÖRESKRIFTER, UTOMHUS



GK1630T, GK1635T, GK1640T

Black & Decker garanterar att produkterna som beskrivs under "Tekniska data" uppfyller:

98/37/EG (fram till 28 dec. 2009), 2006/42/EG (från och med 29 dec. 2009), EN 60745-1, EN 60745-2-13

2000/14/EG, Kedjesåg, Bilaga V  
 KEMA Quality B.V., Utrechtseweg 310, 6802 ED Arnhem, Nederländerna  
 Anmält organ, ID-nr: 0344

Den akustiska effekten enligt 2000/14/EG (Artikel 13, Annex III):

L<sub>WA</sub> (uppmätt ljudnivå) 103 dB(A)  
 Osäkerhet = 3 dB(A)

L<sub>WA</sub> (garanterad ljudnivå) 103 dB(A)  
 Osäkerhet = 3 dB(A)

De här produkterna överensstämmer även med direktivet 2004/108/EG.

Mer information får du genom att kontakta Black & Decker på följande adress eller titta i slutet av bruksanvisningen.

Undertecknad är ansvarig för sammanställningen av tekniska data och gör denna försäkran för Black & Decker.

Kevin Hewitt  
 Vice-President Global Engineering  
 Black & Decker Europe, 210 Bath Road, Slough,  
 Berkshire, SL1 3YD  
 Storbritannien  
 01-12-2009



## Garanti

Black & Decker garanterar att produkten är fri från material- och/eller fabrikationsfel vid leverans till kund. Garantin gäller utöver konsumentens rättigheter enligt lag och påverkar inte dessa. Garantin gäller inom medlemsstaterna i Europeiska Unionen och i det Europeiska Frihandelsområdet.

Om en Black & Decker-produkt går sönder på grund av material- och/eller fabrikationsfel eller brister i överensstämmelse med specifikationen, inom 24 månader från köpet, åtar sig Black & Decker att reparera eller byta ut produkten med minsta besvär för kunden, förutom om:

- ◆ Produkten har använts i kommersiellt eller yrkesmässigt syfte eller i uthyringssyfte.
- ◆ Produkten har utsatts för felaktig användning eller skötsel.
- ◆ Produkten har skadats av främmande föremål, ämnen eller genom olyckshändelse.
- ◆ Reparation har utförts av någon annan än en auktoriserad Black & Decker-verkstad.

Vid garantianspråk ska produkten och inköpskvittot lämnas till återförsäljaren eller till en auktoriserad verkstad. För information om närmaste auktoriserade verkstad, kontakta det lokala Black & Decker-kontoret på den adress som är angiven i bruksanvisningen. En lista över alla auktoriserade verkstäder samt servicevillkor finns på Internet: [www.2helpU.com](http://www.2helpU.com)

Besök vår webbplats [www.blackanddecker.se](http://www.blackanddecker.se) för att registrera din nya Black & Decker-produkt samt för att erhålla information om nya produkter och specialerbjudanden. Mer information om märket Black & Decker och vårt produktsortiment finns på [www.blackanddecker.se](http://www.blackanddecker.se)

## Bruksområde

Din Black & Decker-kjedesag er konstruert for beskjæring og felling av trær og oppdeling av stokker. Verktøyet er beregnet bare som konsumentverktøy.

## Sikkerhetsinstruksjoner

### Generelle sikkerhetsadvarsler for elektroverktøy



**Advarsel!** Les alle sikkerhetsadvarsler og alle instruksjoner. Hvis advarslene og anvisningene nedenfor ikke overholdes, kan det medføre elektrisk støt, brann og/eller alvorlige personskader.

Ta vare på alle advarsler og instruksjoner for fremtidig bruk. Begrepet "elektroverktøy" i advarslene nedenfor gjelder nettdrevet elektroverktøy (med ledning) eller batteridrevet elektroverktøy (uten ledning).

#### 1. Sikkerhet i arbeidsområdet

- Hold arbeidsområdet rent og godt opplyst. Rotete eller mørke områder fører lett til ulykker.
- Ikke arbeid med elektroverktøy i eksplosjonsfarlige omgivelser, for eksempel der det befinner seg brennbare væsker, gass eller støv. Elektroverktøy forårsaker gnister som kan antenne støv eller gass/damp.
- Hold barn og andre personer unna når du bruker et elektroverktøy. Hvis du blir forstyrret under arbeidet, kan du miste kontrollen.

#### 2. Elektrisk sikkerhet

- Støpselet til elektroverktøy må passe til stikkkontakten. Støpselet må ikke forandres på noen som helst måte. Ikke bruk adapterstøpsler sammen med jordede elektroverktøy. Bruk av originale støpsler og passende stikkontakter reduserer risikoen for elektrisk støt.
- Unngå kroppskontakt med jordede overflater som rør, radiatorer, komfyrer og kjøleskap.** Det er større fare for elektrisk støt dersom kroppen din er jordat.
- Ikke utsett elektroverktøy for regn eller fuktighet. Dersom det kommer vann i et elektroverktøy, øker faren for elektrisk støt.
- Unngå uforsvarlig behandling av ledningen. Bruk aldri ledningen til å bære eller trekke elektroverktøyet eller til å trekke ut støpselet. Hold ledningen unna varme, olje, skarpe kanter eller bevegelige deler. Skadde eller sammenflokede ledninger øker risikoen for elektrisk støt.
- Når du bruker et elektroverktøy utendørs, må du bruke en skjoteledning som er egnet til utendørs bruk. Når du bruker en skjoteledning som er egnet for utendørs bruk, reduseres risikoen for elektrisk støt.

- Hvis du ikke kan unngå å bruke elektroverktøy på et fuktig sted, må du bruke en strømforsyning som er beskyttet med jordfeilbryter. Bruk av jordfeilbryter reduserer risikoen for elektrisk støt.

#### 3. Personssikkerhet

- Vær oppmerksom, pass på hva du gjør, og vis fornuft når du arbeider med elektroverktøy. Ikke bruk elektroverktøy når du er trett eller er påvirket av narkotika, alkohol eller medikamenter. Et øyeblikks uoppmerksomhet under bruk av verktøyet kan føre til alvorlige personskader.
- Bruk personlig verneutstyr. Bruk alltid vernebriller. Bruk av personlig verneutstyr, for eksempel støvmaske, sklisikre vernesko, hjelm eller hørselvern som passer til forholdene, reduserer risikoen for personskader.
- Forhindre utilsiktet start. Kontroller at bryteren står i posisjon "av" før du kobler til strømkilden og/eller batteripakken, og før du tar opp eller bærer verktøyet. Det kan føre til ulykker hvis du bærer elektroverktøyet med fingeren på bryteren, eller setter strøm på verktøyet når bryteren står på.
- Fjern eventuelt innstillingsverktøy eller skruverktøy før du slår på elektroverktøyet. Et skruverktøy eller en nøkkel som fortsatt er festet til en roterende del av elektroverktøyet, kan føre til personskade.
- Ikke strekk deg for langt. Pass på at du alltid har sikkert fotfeste og god balanse. Da kan du kontrollere elektroverktøyet bedre i uventede situasjoner.
- Bruk egnede klær. Ikke bruk løstsittende klær eller smykker. Hold hår, klær og hansker unna bevegelige deler. Løstsittende tøy, smykker eller langt hår kan bli sittende fast i bevegelige deler.
- Hvis det kan monteres støvavsug- og oppsamlingsinnretninger, må du forvisse deg om at disse er tilkoblet og brukes på riktig måte. Bruk av støvopsamling kan redusere faren i forbindelse med støv.

#### 4. Bruk og behandling av elektroverktøy

- Ikke bruk makt på elektroverktøyet. Bruk riktig elektroverktøy for bruksområdet. Med et passende elektroverktøy arbeider du bedre og sikrere med den farten det er beregnet for.
- Ikke bruk elektroverktøyet hvis du ikke kan slå det på og av med bryteren. Et elektroverktøy som ikke kan slås på eller av med bryteren, er farlig og må repareres.
- Trekk støpselet ut av stikkkontakten og/eller koble fra batteripakken på elektroverktøyet før du utfører innstillinger, bytter tilbehør eller legger elektroverktøyet bort. Disse forebyggende sikkerhetstiltakene reduserer risikoen for utilsiktet start av elektroverktøyet.

- d. Elektroværktøy som ikke er i bruk, må oppbevares utilgjengelig for barn. Ikke la verktøyet bli brukt av personer som ikke er fortlørlige med det, eller som ikke kjenner disse instruksjonene. Elektroværktøy er farlige når de brukes av uerfarne personer.
- e. Sørg for vedlikehold av elektroværktøy. Undersøk om bevegelige deler er feiljustert eller blokkert, om deler er skadet, og om det er andre forhold som kan påvirke elektroværktøyet funksjon. Hvis elektroværktøyet er skadet, må det repareres før bruk. Dårlig vedlikeholdt elektroværktøy er årsaken til mange ulykker.
- f. Hold skjæreværktøy skarpe og rene. Godt vedlikeholdt skjæreværktøy med skarpe egger setter seg ikke så ofte fast og er lettere å føre.
- g. Bruk elektroværktøy, tilbehør, bor osv. i henhold til disse instruksjonene. Ta hensyn til arbeidsforholdene og arbeidet som skal utføres. Bruk av elektroværktøy til andre formål enn det som er angitt, kan føre til farlige situasjoner.

## 5. Service

- a. **Elektroværktøy skal repareres av kvalifisert personell** og bare med originale reservedeler. Dette sikrer at elektroværktøyet sikkerhet opprettholdes.

## Ytterligere sikkerhetsadvarsler for elektroværktøy



**Advarsel!** Ytterligere sikkerhetsadvarsler for kjedesager

- ◆ Hold alle deler av kroppen unna kjedet mens kjedesagen er i bruk. Før du starter kjedesagen, må du passe på at sagkjedet ikke er i kontakt med noe. Et øyeblikks uoppmerksomhet under bruk av kjedesagen kan føre til at klesplagg eller kroppsdeler vikles inn i eller på annen måte kommer i utilsiktet kontakt med kjedesagen.
- ◆ Hold alltid kjedesagen med høyre hånd på bakre håndtak og venstre hånd på fremre håndtak. Hvis kjedesagen holdes på motsatt måte, øker risikoen for personskade. Hold derfor alltid kjedesagen som anbefalt.
- ◆ Bruk vernebriller og hørselvern. Annet personlig verneutstyr for hode, hender, bein og føtter anbefales. Passende beskyttelsesklær vil redusere omfanget av personskade som forårsakes av materiale som slynges gjennom luften, eller kontakt med sagkjedet ved et uhell.
- ◆ En kjedesag må ikke brukes i et tre. Bruk av kjedesag mens brukeren befinner seg i et tre, kan føre til personskade.
- ◆ Pass på at du alltid har sikkert fotfeste, og bruk kjedesagen bare når du står på et fast, sikkert og plant underlag. Glatte eller ustabile overflater, for eksempel stiger, kan føre til at man mister balansen og kontrollen over kjedesagen.

- ◆ Når du kutter en gren som står i spenn, må du være oppmerksom på at den kan slå mot deg. Når spennet i trefibrene frigjøres, kan grenen treffe operatøren og/eller slå kjedesagen ut av kontroll.
- ◆ Vær svært forsiktig ved kutting av busker og skudd. Tynt materiale kan bli fanget i sagkjedet og bli slengt mot deg eller rykke deg ut av balanse.
- ◆ Bær kjedesagen i det fremre håndtaket med kjedesagen slått av og unna kroppen. Når du transporterer eller oppbevarer kjedesagen, må du alltid sette på dekselet for sverdet. Riktig håndtering av kjedesagen vil gi redusert sannsynlighet for utilsiktet kontakt med sagkjedet i bevegelse.
- ◆ Følg anvisningene for smøring, kjedestramming og utskifting av tilbehør. Et kjede som ikke er strammet eller smurt på riktig måte, kan gå i stykker eller øke faren for tilbakeslag.
- ◆ Hold håndtakene tørre, rene og fri for olje og fett. Håndtak med fett eller olje er glatte og kan forårsake at du mister kontrollen.
- ◆ Kutt bare i tre. Ikke bruk kjedesagen til oppgaver den ikke er beregnet for. Eksempel: Ikke bruk kjedesagen til å kutte plast, murverk eller byggematerialer som ikke er av tre. Bruk av kjedesagen til andre formål enn det som er angitt, kan føre til farlige situasjoner.
- ◆ Plasser ledningen slik at den ikke blir sittende fast i grener eller lignende når du skjærer.
- ◆ Barkstøtten (16) kan bli skarp i produktets levetid. Behandle den med varsomhet.
- ◆ Mens du håndterer produktet, kan sverdet bli varmt. Behandle det med varsomhet.

## Årsaker til tilbakeslag og hvordan operatøren forhindrer dette

- Tilbakeslag kan forekomme når spissen på sverdet kommer i kontakt med en gjenstand, eller når treverket lukker seg og klemmer sagkjedet i kuttet.
- Når spissen kommer i kontakt med en gjenstand, kan det i noen tilfeller plutselig oppstå en motsatt reaksjon som fører til at sverdet slås opp og bakover mot operatøren.
- Hvis sagkjedet klemmes langs øvre kant av sverdet, kan sverdet bli skjøvet fort bakover mot operatøren.
- Begge disse reaksjonene kan føre til at du mister kontrollen over kjedesagen, slik at det oppstår alvorlig personskade. Ikke stol blindt på sikkerhetsinnretningene som er bygd inn i kjedesagen. Som bruker av kjedesagen må du treffe ulike tiltak for å unngå ulykker og personskader når du skjærer. Tilbakeslag er et resultat av feil bruk av verktøyet og/eller feil bruksprosedyrer eller bruksforhold, og du kan unngå dette ved å ta riktige forholdsregler som forklart nedenfor.
- ◆ Sørg for at du holder godt fast i sagen, med tommel og fingrer rundt håndtakene. Hold sagen med begge hender, og stå med kroppen og armene slik at du kan

motstå tilbakeslagskrefter. Tilbakeslagskrefter kan beherskes av operatøren hvis riktige forholdsregler tas. Ikke slipp tak i kjedesagen.

- ◆ Ikke strekk deg for langt, og ikke bruk sagen over skulderhøyde. På denne måten kan du unngå utilsiktet kontakt mellom spissen og gjenstander, og få bedre kontroll over kjedesagen i uventede situasjoner.
- ◆ Bruk bare erstatningssverd og -kjeder som produsenten har angitt. Bruk av feil erstatningssverd og -kjeder kan føre til kjedebrudd og/eller tilbakeslag.
- ◆ Følg produsentens anvisninger for sliping og vedlikehold av sagkjedet. Lavere dybdemålerhøyde kan føre til mer tilbakeslag.
- ◆ Hvis du kommer borti metall, sement eller annet hardt materiale i nærheten av trevirket eller skjult i trevirket, kan det føre til tilbakeslag.
- ◆ Et sløvt eller løst kjede kan føre til tilbakeslag.
- ◆ Ikke sett sagen inn i et tidligere laget kutt. Det kan føre til tilbakeslag. Lag et nytt kutt hver gang.

## Anbefalte sikkerhetstiltak for kjedesagen

- ◆ Vi anbefaler på det sterkeste at personer som bruker kjedesag for første gang, får praktisk veiledning i bruk av sagen og personlig verneutstyr fra en erfaren bruker. Øvelsen bør bestå i å sage ved på en sagkrakk eller en annen form for holder.
- ◆ Kontroller alltid at kjedebremsen virker korrekt før bruk.
- ◆ Vi anbefaler at du når du bærer kjedesagen, sørger for at bremsen er på og sagkjedet vender bakover.
- ◆ Hold kjedesagen i god stand når den ikke er i bruk. Ikke oppbevar kjedesagen i lang tid uten først å fjerne kjedet og sverdet, som skal oppbevares nedsenket i olje. Lagre alle kjedesagdelerne på et tørt og sikkert sted utlignelig for barn.
- ◆ Vi anbefaler også å tappe oljen ut av oljetanken før sagen settes til oppbevaring.
- ◆ Sørg for å ha godt fotfeste, og ha alltid planlagt en sikker vei vekk fra stedet i tilfelle av fallende trær eller grener.
- ◆ Bruk kiler for å kontrollere bevegelsen til treet og forhindre at kjedet og sverdet blokkeres i treet.
- ◆ Vedlikehold av kjedet. Hold kjedet skarpt, og sørg for at det sitter tett rundt sverdet. Sørg for at kjedet og sverdet er rent og godt smurt med olje. Hold håndtakene tørre og rene, og pass på at det ikke kommer olje og fett på dem.

## Unngå å sage

- ◆ Bearbeidet tømmer.
- ◆ I bakken.
- ◆ I ståltrådgjerd, spiker osv.

## Vibrasjon

Vibrasjonsemisjonsverdien som er angitt under tekniske data og samsvarserklæring, er blitt målt i henhold til en standard

testmetode som er angitt i EN 60745, og kan brukes til å sammenligne et verktøy med et annet. Den oppgitte vibrasjonsemisjonsverdien kan også brukes til en foreløpig vurdering av eksponering.

**Advarsel!** Vibrasjonsemisjonsverdien under faktisk bruk av elektroverktøyet kan avvike fra den oppgitte verdien avhengig av måten verktøyet blir brukt på. Vibrasjonsnivået kan øke over nivået som er oppgitt.

Når man vurderer vibrasjonseksponering for å bestemme sikkerhetstiltak som kreves i 2002/44/EF, for å beskytte personer som bruker elektroverktøy regelmessig i arbeidet, skal man når man anslår vibrasjonseksponeringen, ta hensyn til de faktiske bruksforholdene og måten verktøyet blir brukt på, inkludert hensyn til alle deler av brukssyklusen – også de gangene verktøyet slås av, og når det går på tomgang, i tillegg til tiden utløseren er inne.

## Elektrisk sikkerhet



Dette verktøyet er dobbeltisolert. Jording er derfor ikke nødvendig. Kontroller alltid at strømforsyningen er i overensstemmelse med spenningen på typeskiltet.

- ◆ Hvis strømledningen blir skadet, må den skiftes av produsenten eller et autorisert Black & Decker-servicesenter for å unngå fare.

## Bruke skjøteledning

- ◆ Bruk alltid en godkjent skjøteledning som passer til inngangseffekten for dette verktøyet (se tekniske data). Skjøteledningen må passe for utendørs bruk og skal være merket i samsvar med dette. Opptil 30 m 2 x 1,5 mm<sup>2</sup> HO7RN-F-skjøteledning kan brukes uten tap av ytelse for produktet. Før bruk må du undersøke skjøteledningen for tegn på skade, slitasje og aldring. Bytt skjøteledningen hvis den er skadet eller defekt. Når du bruker kabelsnelle, må du alltid rulle ut kabelen helt.

## Vern mot elektrisk støt

- ◆ Unngå å komme i kontakt med jordede overflater (f.eks. metallrekkverk, lyktestolper osv.). Elektrisk sikkerhet kan forbedres ytterligere ved bruk av jordfeilbryter med høy følsomhet (30 mA / 30 mS).



**Advarsel!** Bruk av jordfeilbryter eller annen overbelastningsbryter fritar ikke operatøren av kjedesagen for å følge sikkerhetsinstruksjonene og anbefalingene om trygge arbeidsmetoder i denne bruksanvisningen.

## Ytterligere sikkerhetsinstruksjoner

- ◆ Det er ikke meningen at dette verktøyet skal brukes av personer (inkludert barn) med reduserte fysiske, sansenessige eller mentale evner, eller som mangler erfaring og kunnskap, med mindre de har fått oppfølging eller instruksjon når det gjelder bruken av verktøyet, fra en person som er ansvarlig for deres sikkerhet.
- ◆ Barn skal være under tilsyn så du er sikker på at de ikke leker med verktøyet.
- ◆ Pass på at det er noen andre i nærheten (men på sikker avstand) i tilfelle uhell.
- ◆ Hvis du av en eller annen grunn må berøre sagkjedet, må du først kontrollere at kjedesagen er koblet fra strømforsyningen.
- ◆ Støyen fra dette produktet kan overskride 85 dB(A). Vi anbefaler derfor at du bruker egnet hørselvern.

## Andre risikoer

Ved bruk av verktøyet kan det oppstå ytterligere risikoer som kanskje ikke er inkludert i sikkerhetsadvarslene som følger med. Disse risikoene kan bli forårsaket av feil bruk, langvarig bruk osv.

Selv om de relevante sikkerhetsbestemmelsene blir fulgt, og sikkerhetstiltakene blir gjennomført, kan visse gjenværende risikoer ikke unngås. Disse omfatter:

- ◆ Personskader som forårsakes av berøring av en roterende/bevegelig del.
- ◆ Personskader som forårsakes av at en del, et blad eller tilbehør endres.
- ◆ Personskader som forårsakes av langvarig bruk av et verktøy. Når du bruker et verktøy i lange perioder, må du sørge for å ta regelmessige pauser.
- ◆ Svekket hørsel.
- ◆ Helsefarer som forårsakes av innånding av støv som dannes når du bruker verktøyet (eksempel: arbeid med tre, spesielt eik, bøk og MDF).

## Merking på verktøyet

Følgende symboler vises på verktøyet:



Advarsel! Brukeren må lese håndboken for å redusere risikoene for personskade.



Bruk alltid vernebriller og hørselvern



Hold verktøyet unna regn eller høy fuktighet



Trekk alltid støpselet ut av kontakten før du inspisierer en ødelagt ledning. Bruk aldri kjedesagen hvis ledningen er skadet.



Garantert lydeffekt i henhold til direktiv 2000/14/EF.



Du sikrer kontinuerlig sikker bruk ved å kontrollere kjedestrammingen hvert tiende minutt og justere tilbake til klaring på 3 mm etter behov – som beskrevet i denne bruksanvisningen.

## Funksjoner

1. Av/på-bryter
2. Låseknapp
3. Oljelokk
4. Frontvern/kjedebremse
5. Indikator for oljenivå
6. Kjede
7. Sverd
8. Sverdbeskyttelse
9. Kontrollknott
10. Kjededekselenhet

## Montering



Advarsel! Bruk alltid vernehansker ved arbeid på kjedesagen.



Advarsel! Før du utfører vedlikehold på elektroverktøy, må du slå verktøyet av og trekke ut støpselet.

## Smøre kjedet

Du må alltid smøre et nytt kjede (6) før du bruker det for første gang. Legg det nye kjedet (6) i kjedeolje i minst en time før du bruker det. Bruk Black & Decker-kjedeolje.

Vi anbefaler at du bare bruker Black & Decker-olje i hele levetiden til kjedesagen. Blanding av ulike oljer kan føre til at oljen får dårligere egenskaper, noe som kan forkorte kjedesagens levetid betydelig og skape ekstra risiko. Bruk aldri spillolje, tykflytende olje eller svært tyntflytende symaskinolje. Disse kan skade kjedesagen.

## Montere sverd og kjede (figur A–E)

- ◆ Legg kjedesagen på en stabil overflate.

- ◆ Sett frontvern/kjedebremsehøyden i fremre stilling (figur D).
- ◆ Løsn kontrollknotten (9) helt (figur A).
- ◆ Ta bort kjededekeleheten (10).
- ◆ Legg kjedet (6) over sverdet (7). Pass på at sagkjedetennene på øvre del av sverdet (7) vender forover (figur B).
- ◆ Før kjedet (6) rundt sverdet (7), og legg trekk i det så det danner en løkke på den ene siden av bakre ende av sverdet (7).
- ◆ Før kjedet (6) rundt drivhulet (12). Sett sverdet (7) på sverdplasseringstappene (13) (figur E).

**Advarsel!** Pass på at frontvern/kjedebremsehøyden (4) er i den faste stillingen (fremre) før den settes på igjen (figur C).

- ◆ Før du setter på kjededekeleheten, kontrollerer du at kammen (11) (figur B) er i riktig stilling. Om nødvendig trykker du kontrollknotten (9) inn og dreier den med klokken for å dreie kammen i riktig stilling.
- ◆ Sett på kjededekelet ved å plassere bolten og stram kontrollknotten med fingrene for å feste kjededekelet.
- ◆ Når du skal stramme kjedet, løsner du kontrollknotten én hel omdreining, trykker den bestemt inn og dreier den med klokken. Mens sverdet beveger seg fremover, passer du på at kjedeledene føres inn i sporet i sverdet.
- ◆ La kontrollknotten sprette tilbake til "ut"-stillingen og dreier den videre med klokken for å feste sverdet. Ikke stram for mye.
- ◆ Kontroller strammingen som beskrevet nedenfor.

## Kontrollere og justere kjedestrammingen (figur G)

Før bruk og hvert 10. minutt under bruk må du kontrollere kjedestrammingen.

- ◆ Ta støpselet ut av stikkkontakten.
- ◆ Trekk lett i kjedet (6) som vist (innfelt figur G). Strammingen er riktig når kjedet (6) spretter tilbake etter at det trekkes 3 mm fra sverdet (7). Det skal ikke være noe "slakk" mellom sverdet (7) og kjedet (6) på undersiden.

**Merknad:** Ikke stram kjedet for mye, da dette vil føre til stor slitasje og redusere levetiden for sverdet og kjedet.

**Merknad:** Når kjedet er nytt, må du kontrollere strammingen ofte (etter at støpselet er trukket ut) de første 2 timene du bruker kjedet, siden et nytt kjede strekker seg litt.

## Øke strammingen

- ◆ Løsn kontrollknotten én hel omdreining, trykk den bestemt inn og dreier den med klokken til den nødvendige strammingen er oppnådd. Mens sverdet beveger seg fremover, passer du på at kjedeledene føres inn i sporet i sverdet.
- ◆ La kontrollknotten sprette tilbake til "ut"-stillingen og dreier den videre med klokken for å feste sverdet. Ikke stram for mye.

## Bruk

**Advarsel!** La verktøyet arbeide med sin egen hastighet. Ikke overbelast det.

## Fylle oljetanken (figur F)

- ◆ Fjern oljelokket (3), og fyll oljetanken med anbefalt kjedeolje. Du kan se oljenivået på indikatoren for oljenivå (5). Sett på plass oljelokket (3) igjen.
- ◆ Slå av verktøyet og kontroller indikatoren for oljenivå (5) regelmessig. Hvis tanken er mindre enn 25 % full, kobler du kjedesagen fra strømforsyningen og fyller på med riktig olje.

## Slå på

**Merknad:** Det vil ikke være mulig å slå på verktøyet hvis frontvern/kjedebremsehøyden ikke er i "fast" stilling.

- ◆ Ta godt tak i kjedesagen med begge hender. Trykk på låseknappen (2) og trykk deretter på av/på-bryteren (1) for å starte.
- ◆ Når motoren starter, tar du tommelen bort fra låseknappen (2) og tar godt tak i håndtaket.

Ikke bruk makt på verktøyet. La verktøyet gjøre jobben. Det arbeider bedre og sikrer med den farten det er beregnet for. For mye kraft vil føre til at sagkjedet (6) strekkes.

## Stille inn kjedebremsen (figur C)

- ◆ Sjekk at verktøyet er koblet fra strømforsyningen.
- ◆ Dra frontvern/kjedebremsehøyden (4) tilbake til angitt "fast" stilling (figur C).
- ◆ Verktøyet er nå klart til bruk.

## Slik motvirker kjedebremsen tilbakeslag

Ved tilbakeslag kommer din venstre hånd i kontakt med frontvernet, skyver det frem mot arbeidsemnet og stopper verktøyet på brøkdeler av et sekund.

## Slik tester du kjedebremsen mot tilbakeslag (figur C)

- ◆ Kontroller alltid at kjedebremsen virker korrekt før bruk.
- ◆ Hold verktøyet fast med begge hender på et fast underlag. Kontroller at sagkjedet (6) går klar av bakken, og slå på saken (se instruksjonene for å slå på kjedesagen).
- ◆ Drei venstre hånd forover rundt det fremre håndtaket slik at håndbaken kommer i kontakt med frontvern/kjedebremsehøyden (4) og skyver den fremover mot arbeidsemnet (figur C). Sagkjedet (6) skal nå stoppe innen noen brøkdeler av et sekund.

Når du skal tilbake stille etter å ha brukt frontvern/kjedebremsehøyden (4) følger du instruksjonene for innstilling av kjedebremsen.

**Merknad:** Unngå å starte verktøyet igjen før du hører at motoren har stoppet helt.

**Merknad:** Hvis kjedebremsen ikke virker riktig, bringer du produktet til et godkjent Black & Decker-servicesenter.

### Hvis sagkjedet (6) eller sverdet (7) setter seg fast

- ◆ Slå av verktøyet.
- ◆ Ta støpselet ut av stikkkontakten.
- ◆ Åpne kuttet med kiler for å lette belastningen på sverdet (7). Ikke forsøk å rykke kjedesagen løs.
- ◆ Start et nytt kutt.

### Felling (figur H–J)

Uerfarne brukere bør ikke prøve å felle trær. Brukeren kan bli skadet eller forårsake skade på eiendom som følge av at fallet ikke kontrolleres i riktig retning, treet kan splittes, eller skadede/døde grener kan falle ned under sagingen.

Den sikre avstanden mellom et tre som skal felles og personer på bakken, bygninger og andre objekter, er minst 2,5 ganger høyden av treet. Tilskuere, bygninger eller objekter som befinner seg nærmere enn denne avstanden, vil kunne bli truffet av treet når det faller.

#### Før forsøk på felling av et tre:

- ◆ Undersøk at det ikke er noen lokale lover eller bestemmelser som forbyr eller styrer trefelling.
- ◆ Vurder alle forhold som kan ha innvirkning på fallretningen, inkludert:
  - Den tiltenkte fallretningen.
  - Den naturlige hellingen til treet.
  - Eventuelle uvanlig tunge grener eller råtnede deler.
  - Trær i nærheten og andre hindringer, inkludert kabler eller ledninger i luften og underjordiske avløp.
  - Vindstyrke og -retning.

Før felling av trær må du planlegge en sikker vei bort fra det fallende treet eller grenene. Kontroller at det ikke er hindringer i veien som kan føre til at du ikke kommer deg unna. Husk at vått gress og nylig kuttet bark er glatt.

- ◆ Forsøk ikke å felle trær med diameter som er større enn kjedesagens sagelengde.
- ◆ Skjær et felleskår for å bestemme fallretningen.
- ◆ Lag et horisontalt kutt med dybde mellom 1/5 og 1/3 av trets diameter vinkelrett på fallinjen ved foten av treet (figur H).
- ◆ Lag et nytt kutt ovenfra som krysser det første, slik at det dannes et hakk på ca. 45°.
- ◆ Lag ett enkelt horisontalt fellingskutt fra den andre siden, 25 til 50 mm over midten av felleskåret (figur I). Ikke skjær helt gjennom til felleskåret, da det kan føre til at du mister kontrollen over fallretningen.
- ◆ Driv én eller flere kiler inn i fellingskuttet for å åpne det og få treet til å falle (figur J).

### Beskjæring av trær

Undersøk at det ikke er noen lokale lover eller bestemmelser som forbyr eller styrer beskjæring av tregrener. Beskjæring bør bare utføres av erfarne brukere, da det er økt fare for fastklemming av kjedet og tilbakeslag.

#### Før beskjæringen starter, er det viktig å vurdere forhold som kan få innvirkning på fallretningen, for eksempel:

- ◆ Lengden og vekten av den grenen som skal sages av.
- ◆ Eventuelle uvanlige og tunge grenstrukturer eller forråttelse.
- ◆ Trær i nærheten og andre hindringer, også i luften.
- ◆ Vindstyrke og -retning.
- ◆ Om grenen er tvunnet sammen med andre grener.

Operatøren må vurdere tilgangen til tregrenen og fallretningen. Grenen vil kunne falle inn mot trestammen. I tillegg til brukeren vil tilskuere, gjenstander og eiendeler under grenen kunne bli utsatt for skade.

- ◆ For å unngå oppflising lager du det første kuttet oppover inn til en maksimumsdybde på en tredjedel av grenens diameter.
- ◆ Lag det andre kuttet nedover og slik at det treffer det første.

### Skjæring av kubber (figur K–M)

Hvordan du skal kutte, avhenger av hvordan stokken er støttet opp.

Bruk en sagkrakk når dette er mulig. Start alltid sagingen med sagkjedet i gang og med barkstøtten (16) i kontakt med treet (figur K). For å fullføre kuttet vipper du barkstøtten mot treet.

#### Når stokken er støttet i hele sin lengde:

- ◆ Lag et kutt nedover, men unngå å sage i jorden, ettersom det vil føre til at sagkjedet blir sløvt veldig fort.

#### Når stokken er støttet i begge ender:

- ◆ Først kutter du en tredjedel nedover for å unngå oppsplintring, og deretter kutter du igjen for å møte det første kuttet.

#### Når stokken er støttet i én ende:

- ◆ Først kutter du en tredjedel opp for å unngå oppsplintring, og deretter kutter du ned for å unngå oppsplintring.

#### I en helling (figur L):

- ◆ Stå alltid på oversiden.

#### Når du forsøker å kutte en stokk på bakken (figur L):

- ◆ Sikre arbeidsstykket ved å bruke klosser eller kiler. Brukeren eller en tilskuer må ikke holde trevirket fast ved å sitte eller stå på det. Pass på at sagkjedet ikke kommer i kontakt med bakken.



### Ved bruk av sagkrakk (figur M):

Om mulig er dette den beste måten.

- ◆ Plasser trevirket i en stabil posisjon. Kutt alltid på utsiden av sagkrakkarmene. Bruk klemmer eller stropper for å sikre arbeidsemnet.

### Problemløsning

Problem	Mulig årsak	Mulig løsning
Verktøyet starter ikke	Låseknappen er ikke trykket inn	Trykk på låseknappen
	Frontvernet er i bremsestilling	Tilbakesill frontvernet
	En sikring har gått	Bytt sikring
	Utløst jordfeilbryter	Kontroller jordfeilbryter
	Nettledningen er ikke koblet til	Kontroller strømtilførselen
Kjedet stopper ikke straks når verktøyet slås av	Kjedestrammingen er for slapp	Kontroller kjedestrammingen
Sverd/kjede virker varme / ryker	Oljetanken er tom	Kontroller nivået i tanken
	Oljehullet er blokkert på sverdet	Rengjør oljehullet
	Kjedet er for stramt	Kontroller kjedestrammingen
	Tannhullet på tuppen av sverdet trenger smøring	Smør tannhullet på tuppen av sverdet
Kjedesagen skjærer ikke bra	Kjedet satt på bak-frem	Kontroller/endre kjedets retning
		Skjerp kjedet
Kjedesagen bruker ikke olje	Rusk i tanken	Tøm oljen av tanken og fyll på ny
	Oljehullet i lokket er blokkert	Fjern rusk fra hullet
	Rusk på sverdet	Fjern rusk og rengjør sverdet
	Rusk i oljeuttaket	Fjern rusk

### Vedlikehold

Regelmessig vedlikehold sikrer lang levetid for verktøyet. Vi anbefaler at du foretar følgende sjekker regelmessig:

**Advarsel!** Før du utfører vedlikehold på elektroverktøy:

- ◆ Så av verktøyet og trekk støpselet ut av stikkkontakten.

### Oljenivå

Oljetanken må alltid være minst 25 % full.

### Sagkjede og sverd (figur G)

- ◆ Etter noen timers bruk og før oppbevaring tar du av sverdet (7) og sagkjedet (6) og rengjør dem grundig.
- ◆ Sjekk at beskyttelsen er ren og fri for rusk.
- ◆ Når du monterer det igjen, dreier du sverdet (7) 180° og smører tannhullet på tuppen av sverdet via smøringshullet (17). Dette sikrer jevn fordeling av slitasje rundt sverdskindene.

### Skjerpe kjedet

Hvis du vil ha best mulig ytelse fra verktøyet, er det viktig å holde kjedetennene skarpe.

Du finner mer informasjon om dette i skjerpesettet. For dette anbefaler vi at du kjøper Black & Deckers skjerpesett for kjedesager (fås hos autoriserte Black & Decker-serviceverksteder og utvalgte forhandlere).

### Skifte utslitte sagkjeder

Nye sagkjeder kan fås hos forhandlere og autoriserte Black & Decker-serviceverksteder. Bruk alltid originale reservedeler.

### Kjedeskarpheit

Sagetennene på kjedet vil bli sløve med én gang hvis de berører bakken eller en spiker under bruk.

### Sagkjedestramming

Sjekk sagkjedestrammingen regelmessig.

### Hva som skal gjøres hvis kjedesagen må repareres.

Kjedesagen er produsert i samsvar med relevante sikkerhetskrav. Reparasjoner må bare utføres av en kvalifisert person som benytter originale reservedeler, ellers kan det være svært farlig for brukeren. Vi anbefaler at du oppbevarer denne bruksanvisningen på et sikkert sted.

### Miljø



Separat avfallshåndtering. Dette produktet må ikke kastes sammen med vanlig husholdningsavfall.

Hvis du synes Black & Decker-produktet bør skiftes ut, eller du ikke har bruk for det lenger, må du ikke kaste det sammen med husholdningsavfall. Sørg for separat avfallshåndtering for dette produktet.



Hvis brukte produkter og emballasje leveres atskilt, kan materialer resirkuleres og brukes på nytt. Gjenbruk av resirkulerte materialer bidrar til redusert miljøforurensing og reduserer behovet for råmaterialer.

Det kan være lokale bestemmelser for separat avfallshåndtering for elektriske produkter fra husstander på kommunale avfallsplasser eller hos forhandleren, når du kjøper et nytt produkt.

Black & Decker har en ordning for innsamling og resirkulering av Black & Decker-produkter som ikke skal brukes lenger. Du kan benytte denne tjenesten ved å levere produktet til et hvilket som helst autorisert serviceverksted.

Du kan finne ut hvor nærmeste autoriserte serviceverksted er, ved å kontakte din lokale Black & Decker-avdeling på adressen som er oppgitt i denne håndboken. En oversikt over autoriserte Black & Decker-serviceverksteder og alle opplysninger om ettersalgsservice og kontakter er også tilgjengelig på Internett: [www.2helpU.com](http://www.2helpU.com)

#### Tekniske data

	GK1630T	GK1635T
	Typ. 5	Typ. 5
Sverdlengde	cm 30	35
Spenning	V <sub>AC</sub> 230	230
Inn-effekt	W 1600	1600
Kjedehastighet (uten belastning) m/s	8	8
Maks. sagelengde	cm 30	35
Oljekapasitet	ml 180	180
Vekt	kg 3.7	3.8
Sikkerhetsklasse	II	II

	GK1640T
	Typ. 5
Sverdlengde	cm 40
Spenning	V <sub>AC</sub> 230
Inn-effekt	W 1600
Kjedehastighet (uten belastning) m/s	8
Maks. sagelengde	cm 40
Oljekapasitet	ml 180
Vekt	kg 3.9
Sikkerhetsklasse	II

#### Lydtrykknivå i henhold til EN 60745:

Lydtrykk (L<sub>PA</sub>) 92 dB(A), usikkerhet (K) 3 dB(A)  
 Lydeffekt (L<sub>WA</sub>) 103 dB(A), usikkerhet (K) 3 dB(A)

#### Totale vibrasjonsverdier (vektorsum fra tre retninger)

bestemt i samsvar med EN 60745:

Vibrasjonsemissionsverdi (a<sub>w</sub>) 5 m/s<sup>2</sup>, usikkerhet (K) 1,5 m/s<sup>2</sup>

## EF-samsvarserklæring

MASKINDIREKTIV  
 DIREKTIV FOR UTENDØRSSTØY



GK1630T, GK1635T, GK1640T

Black & Decker erklærer at disse produktene som er beskrevet under "Tekniske data", er i samsvar med:

98/37/EF (til 28. desember 2009), 2006/42/EF (fra 29. desember 2009), EN 60745-1, EN 60745-2-13

2000/14/EF, motorsag, vedlegg V  
 KEMA Quality B.V., Utrechtseweg 310, 6802 ED Arnhem,  
 Nederland  
 ID-nummer for varslet organ: 0344

Nivået for akustisk effekt er i samsvar med 2000/14/EF (artikkel 13, vedlegg III):

L<sub>WA</sub> (målt lydeffekt) 103 dB(A)  
 Usikkerhet = 3 dB(A)  
 L<sub>WA</sub> (garantert lydeffekt) 103 dB(A)  
 Usikkerhet = 3 dB(A)

Disse produktene er også i samsvar med direktivet 2004/108/EF. Hvis du ønsker mer informasjon, kontakt Black & Decker på følgende adresse, eller se på baksiden av bruksanvisningen.

Undertegnede er ansvarlig for utarbeidelsen av den tekniske dokumentasjonen og gir denne erklæringen på vegne av Black & Decker.

Kevin Hewitt  
 Vice-President Global Engineering  
 Black & Decker Europe, 210 Bath Road, Slough  
 Berkshire, SL1 3YD  
 Storbritannia  
 1.12.2009

## Garanti

Black & Decker er trygg på kvaliteten på sine produkter og tilbyr en enestående garanti. Denne garantierklæringen kommer i tillegg til dine lovbestemte rettigheter og er ikke i konflikt med disse. Garantien er gyldig i EU- og EFTA-medlemsstatene.

Hvis et Black & Decker-produkt går i stykker på grunn av material- og/eller fabrikkasjonsfeil eller har mangler i forhold til spesifikasjonene innen 24 måneder fra kjøpet, påtar Black & Decker seg å skifte ut defekte deler, reparere produkter som har vært utsatt for alminnelig slitasje, eller bytte ut slike produkter med minst mulig vanskelighet for kunden, med mindre:

- ◆ Produktet har vært brukt i yrkes-/næringsvirksomhet eller til utleie.
- ◆ Produktet har vært utsatt for feilaktig bruk eller dårlig vedlikehold.
- ◆ Produktet har blitt skadet av fremmede gjenstander eller stoffer eller ved et uhell.
- ◆ Andre enn autoriserte serviceverksteder eller Black & Deckers serviceteknikere har forsøkt å reparere produktet.

For å ta garantien i bruk må du vise kjøpskvittering til forhandleren eller til et autorisert serviceverksted. Du kan finne ut hvor nærmeste autoriserte serviceverksted er, ved å kontakte din lokale Black & Decker-avdeling på adressen som er oppgitt i denne håndboken. En oversikt over autoriserte Black & Decker-serviceverksteder og alle opplysninger om ettersalgsservice og kontakter er også tilgjengelig på Internett: [www.2helpU.com](http://www.2helpU.com)

Besøk vårt webområde [www.blackanddecker.no](http://www.blackanddecker.no) for å registrere ditt nye Black & Decker-produkt og for å holde deg oppdatert om nye produkter og spesialtilbud. Du finner mer informasjon om Black & Decker og produktutvalget vårt på [www.blackanddecker.no](http://www.blackanddecker.no)

## Anvendelsesområde

Din Black & Decker kædesav er designet til at beskære og fælde træer og save i træstammer. Værktøjet er kun beregnet til privat brug.

## Sikkerhedsanvisninger

### Generelle sikkerhedsadvarsler vedrørende elværktøj



**Advarsel!** Læs alle sikkerhedsadvarsler og instruktioner. Hvis nedenstående instruktioner og advarsler ikke følges, er der risiko for elektrisk stød, brand og/eller alvorlige personskader.

Gem alle advarsler og anvisninger til senere brug. Begrebet "elværktøj", der benyttes i nedenstående advarsler, henviser til netdrevet elværktøj (med netledning) eller batteridrevet elværktøj (uden netledning).

#### 1. Sikkerhed i arbejdsområdet

- Hold arbejdsområdet rent og ordentligt oplyst.  
Uordentlige og mørke områder øger faren for uheld.
- Brug ikke elværktøj i eksplosive atmosfærer, f.eks. i områder med brændbare væsker, gasser eller støv.  
Elværktøj kan forårsage gnister, der kan antænde støv eller dampe.
- Hold børn og omkringstående på afstand, når der arbejdes med elværktøj. Du kan miste kontrollen over værktøjet, hvis du bliver distraheret.

#### 2. Elektricitet og sikkerhed

- Elværktøjets stik skal passe til kontakten. Stikket må under ingen omstændigheder ændres. Brug ikke adapterstik sammen med jordforbundet elværktøj.  
Uændrede stik, der passer til stikkontakterne, nedsætter risikoen for elektrisk stød.
- Undgå kropskontakt med jordforbundne overflader** som f.eks. rør, radiatorer, komfurer og køleskabe. Hvis din krop er jordforbundet, øges risikoen for elektrisk stød.
- Udsæt ikke elværktøj for regn, og brug det ikke, hvor omgivelserne er våde. Indtrængen af vand i elværktøj øger risikoen for elektrisk stød.
- Pas på, at ledningen ikke beskadiges. Bær, træk eller afbryd ikke elværktøjet vha. ledningen. Beskyt ledningen mod varme, olie, skarpe kanter eller maskindele, der er i bevægelse. Beskadigede eller sammenfiltrede ledninger øger risikoen for elektrisk stød.
- Hvis elværktøj benyttes udendørs, skal der benyttes en forlængerledning, der er godkendt til udendørs brug. Brug af en forlængerledning til udendørs brug nedsætter risikoen for elektrisk stød.

- Brug en strømkilde med fejlstrømsbeskyttelse, hvis det er nødvendigt at anvende elværktøj på fugtige steder.  
Med en fejlstrømsbeskyttelse reduceres risikoen for elektrisk stød.

#### 3. Personlig sikkerhed

- Vær opmærksom, hold øje med, hvad du laver, og brug elværktøjet fornuftigt. Brug ikke et elværktøj, hvis du er træt eller påvirket af stoffer, medicin eller alkohol.  
Et øjeblik uopmærksomhed under brug af elværktøj kan medføre alvorlig personskader.
  - Brug personligt beskyttelsesudstyr. Bær altid beskyttelsesbriller. Brug af væremidler som f.eks. støvmaske, skridsikkert fodtøj, beskyttelseshjelm eller høreværn nedsætter risikoen for personskader, hvis udstyret anvendes korrekt.
  - Træf forholdsregler, så utilsigtet start ikke er mulig. Kontroller, at afbryderkontakten står på slukket, inden værktøjet tilsluttes strømkilden og/eller batteriet, samles op eller bæres. Bæres elværktøj, mens fingeren er på kontakten, eller tilsluttes det, mens kontakten står på tændt, kan der nemt ske en ulykke.
  - Fjern indstillingsværktøj eller skruenøgle, inden elværktøjet startes. Et værktøj eller en nøgle, der efterlades i en roterende del i elværktøjet, kan medføre personskade.
  - Stræk dig ikke for langt. Sørg for, at du altid har sikkert fodfæste og balance. Så har du bedre styr på elværktøjet, hvis der opstår uventede situationer.
  - Brug egnet arbejdstøj. Undgå løse beklædningsgenstande eller smykker. Hold hår, tøj og handsker væk fra dele, der bevæger sig. Bevægelige dele kan gribe fat i løst tøj, smykker eller langt hår.
  - Hvis der kan monteres støvudsugnings- og opsamlingsudstyr, skal dette tilsluttes og benyttes korrekt. Brug af udstyr til opsamling af støv kan nedsætte risikoen for støvrelateret personskade.
- #### 4. Brug og vedligeholdelse af elværktøj
- Overbelast ikke elværktøjet. Brug det rigtige elværktøj til opgaven. Med det rigtige elværktøj udføres arbejdet lettere og sikrere og i det tempo, som værktøjet er beregnet til.
  - Brug ikke elværktøjet, hvis afbryderkontakten er defekt. Elværktøj, der ikke kan afbrydes, er farligt og skal repareres.
  - Træk stikket ud af stikkontakten, og/eller tag batteriet ud af elværktøjet, før du indstiller det, skifter tilbehør eller lægger det væk. Disse sikkerhedsforanstaltninger reducerer risikoen for utilsigtet start af værktøjet.
  - Opbevar ubenyttet elværktøj uden for børns rækkevidde. Lad aldrig personer, der ikke er fortrolige

med elværktøjet, eller som ikke har læst denne vejledning, benytte maskinen. Elværktøj er farligt, hvis det benyttes af uerfarne personer.

- e. Elværktøj skal vedligeholdes. Kontroller, om bevægelige dele er skæve og ikke sidder fast, og om delene er brækket eller beskadiget, så elværktøjets funktion påvirkes. Få beskadigede dele repareret, inden elværktøjet tages i brug. Mange uheld skyldes dårligt vedligeholdt elværktøj.
- f. Hold skæreværktøj skarpt og rent. Ordenligt vedligeholdt skæreværktøj med skarpe skærekanter sætter sig ikke så hurtigt fast og er nemmere at styre.
- g. Brug elværktøjet, tilbehøret, indsatsværktøj osv. i overensstemmelse med denne vejledning under hensyntagen til arbejdsforholdene og det arbejde, der skal udføres. I tilfælde af anvendelse af elværktøjet til formål, som ligger uden for det fastsatte anvendelsesområde, kan der opstå farlige situationer.

## 5. Service

- a. **Få altid elværktøjet repareret af kvalificerede fagfolk, og brug kun originale reservedele.** Dermed opretholdes elværktøjets sikkerhed.

## Yderligere sikkerhedsadvarsler for elværktøj



**Advarsel!** Yderligere sikkerhedsadvarsler for kædesave

- ◆ Hold alle dele af kroppen væk fra savkæden, når kædesaven anvendes. Før du starter kædesaven, skal du sikre dig, at savkæden ikke er i kontakt med noget. Få sekunders uopmærksomhed ved brugen af kædesaven kan medføre, at dit tøj eller din krop kommer i kontakt med kædesaven.
- ◆ Hold altid kædesaven med højre hånd på det bageste håndtag og venstre hånd på det forreste håndtag. Hold aldrig kædesaven med hænderne placeret omvendt, da dette øger risikoen for personskade.
- ◆ Bær beskyttelsesbriller og høreværn. Det anbefales at benytte yderligere beskyttelsesudstyr til hoved, hænder, ben og fødder. Tilstrækkelig beskyttende beklædning mindsker personskaden i tilfælde af flyvende materiale eller kontakt med savkæden ved et uheld.
- ◆ Anvend ikke kædesaven i et træ. Anvendelse af kædesaven, mens man befinder sig i et træ, kan medføre personskade.
- ◆ Sørg altid for at have et godt fodfæste, og brug kun kædesaven, når du står på en fast, solid og jævn overflade. Glatte eller ustabile overflader som f.eks. stiger kan medføre, at du mister balancen eller kontrollen med kædesaven.

- ◆ Ved savning i en stammedel, der står under spænding, skal du være opmærksom på eventuel tilbagefjedring. Når spændingen i træfibre udløses, kan den fjederbelastede stammedel ramme brugeren og/eller bringe kædesaven ud af kontrol.
- ◆ Udvis stor forsigtighed ved savning i småkviste og unge træer. Det tynde materiale kan gribe fat i savkæden og blive slynget tilbage mod dig eller skubbe dig ud af balance.
- ◆ Bær kædesaven i det forreste håndtag med kædesaven slukket og vendt bort fra kroppen. Monter altid sværddækslet ved transport eller opbevaring af kædesaven. Korrekt håndtering af kædesaven mindsker risikoen for at komme i berøring med savkæden ved et uheld, mens den kører.
- ◆ Følg instruktionerne vedrørende smøring, stramning af kæden og udskiftning af tilbehør. Forkert strammede eller smurte kæder kan knække eller forøge risikoen for tilbageslag.
- ◆ Hold håndtagene tørre, rene og fri for olie og fedt. Fedtede håndtag er glatte og kan forårsage, at du mister kontrollen over maskinen.
- ◆ Sav kun i træ. Brug ikke kædesaven til formål, den ikke er beregnet til. Brug for eksempel ikke kædesaven til at save i plastik, murværk eller byggematerialer, som ikke er af træ. Hvis kædesaven anvendes til andre formål, end den er beregnet til, kan der opstå farlige situationer.
- ◆ Placer ledningen, så den ikke sætter sig fast mellem grene eller lignende under savning.
- ◆ Den takkede kant (16) kan blive skarp i løbet af produktets levetid. Vær forsigtig ved omgang med denne.
- ◆ Sværdet kan blive varmt, når produktet anvendes. Vær forsigtig med ved omgang med dette.

## Årsager til og undgåelse af tilbageslag (kickback)

Tilbageslag kan opstå, når den forreste del eller spidsen af sværdet berører en genstand, eller når træet lukkes sammen, så savkæden kommer i klemme i snittet.

Kontakt med spidsen kan i visse tilfælde forårsage et pludseligt tilbageslag, så sværdet slås opad og bagud mod brugeren.

Fastklemning af savkæden oven på sværdet kan medføre, at sværdet skubbes hurtigt tilbage mod brugeren.

Begge disse reaktioner kan føre til, at du mister kontrollen med kædesaven, hvilket kan medføre alvorlig personskade. Stol ikke udelukkende på de indbyggede sikkerhedsfunktioner i kædesaven. Som bruger af en kædesav skal du træffe en række forholdsregler for at undgå uheld eller personskade, når du arbejder.

Et tilbageslag (kickback) opstår som følge af forkert brug eller misbrug af værktøjet. Det kan undgås ved at træffe nedenstående forholdsregler:

- ◆ Hold godt fast, således at tommelfingeren og de øvrige fingre griber omkring håndtagene på kædesaven. Hold begge hænder på kædesaven, og placer kroppen og armen, så du kan modstå tilbageslagskraften. Tilbageslagskræfterne kan kontrolleres af brugeren, hvis der træffes de nødvendige forholdsregler. Slip ikke kædesaven.
- ◆ Ræk dig ikke for langt, og undlad at save over skulderhøjde. Derved undgås berøring af spidsen ved et uheld, og du har bedre kontrol med kædesaven i uventede situationer.
- ◆ Anvend kun udskiftningssværd og -kæder, som er godkendt af producenten. Forkerte udskiftningssværd og -kæder kan medføre, at kæden knækker og/eller tilbageslag.
- ◆ Følg producentens instruktioner vedrørende slibning og vedligeholdelse af savkæden. Hvis dybdemålerens højde reduceres, forøges risikoen for tilbageslag.
- ◆ Hvis sværdet rammer metal, cement eller andre hårde materialer ved siden af eller indlejret i træet, kan der forekomme tilbageslag.
- ◆ En sløv eller løs kæde kan forårsage tilbageslag.
- ◆ Forsøg ikke at sætte saven i et tidligere snit. Dette kan medføre tilbageslag. Lav et nyt snit hver gang.

### Sikkerhedsanbefalinger for kædesaven

- ◆ Vi anbefaler kraftigt, at førstegangbrugere modtager praktisk vejledning i brugen af kædesaven og beskyttelsesudstyr fra en øvet bruger. Indledende øvelser bør udføres ved at save i stammer på en savbuk eller et stativ.
- ◆ Kontroller altid inden brug, at tilbageslagsbremsen fungerer korrekt.
- ◆ Vi anbefaler, at du sikrer dig, at bremsen er aktiveret, og at savkæden vender bagud, når du bærer kædesaven.
- ◆ Hold kædesaven ved lige, når den ikke er i brug. Kædesaven må ikke opbevares i længere tid, uden at savkæden og sværdet er afmonteret. Disse dele skal opbevares neddyppet i olie. Opbevar alle kædesavens dele på et tørt, sikkert sted uden for børns rækkevidde.
- ◆ Vi anbefaler, at du tømmer oliebeholderen, før kædesaven lægges til opbevaring.
- ◆ Sørg for, at du har et sikkert fodfæste, og planlæg en sikker flugtvej fra et faldende træ eller faldende grene, før savningen påbegyndes.
- ◆ Brug kiler til at hjælpe med at styre fældningen og forhindre, at sværdet og savkæden sætter sig fast i træet.
- ◆ Behandling af savkæden. Hold savkæden skarp og stram på sværdet. Sørg for, at savkæden og sværdet er rene og

velsmurte. Sørg for, at håndtagene er tørre, rene og fri for olie og fedt.

### Undgå at save

- ◆ Forarbejdet tømmer.
- ◆ I jord.
- ◆ I trådhegn, søm osv.

### Vibration

De angivne værdier for udsendelse af vibration opført under de tekniske data og overensstemmelseserklæringen er målt i henhold til standardtestmetoden anført i EN 60745 og kan bruges til at sammenligne ét værktøj med et andet. Den angivne værdi for udsendelse af vibration kan også bruges som en foreløbig vurdering af eksponeringen.

**Advarsel!** Værdien for udsendelse af vibration ved faktisk brug af elværktøjet kan afvige fra den angivne værdi afhængig af måden, værktøjet anvendes på. Vibrationsniveauet kan overstige det angivne niveau.

I vurderingen af eksponeringen til vibration med henblik på fastsættelse af sikkerhedsforanstaltninger krævet i 2002/44/EC til beskyttelse af personer, der jævnligt anvender elværktøj i deres arbejde, skal der tages hensyn til de faktiske betingelser under brugen, og måden værktøjet bruges på, herunder alle arbejdsryklussens elementer, f.eks. perioder, hvor værktøjet er slukket og kører i tomgang tillige med startperioderne.

### Elektricitet og sikkerhed



Dette værktøj er dobbeltisoleret. Derfor er en jordledning ikke nødvendig. Kontroller altid, at strømforsyningen svarer til spændingen på typeskiltet.

- ◆ Hvis netledningen beskadiges, skal den udskiftes af producenten eller et autoriseret Black & Decker-værksted, så farlige situationer undgås.

### Brug af en forlængerledning

- ◆ Brug altid en godkendt forlængerledning, der passer til dette værktøjs strømstik (se de tekniske data). Forlængerledningen skal være egnet til udendørs brug og være mærket i overensstemmelse hermed. Der kan bruges en HO7RN-F 2 X-forlængerledning på op til 30 m med et tværsnit på 1,5 mm<sup>2</sup>, uden at produktets ydeevne forringes. Før brug skal forlængerledningen inspiceres for tegn på beskadigelse, slid og ældning. Udskift forlængerledningen, hvis den er beskadiget eller defekt. Rul ledningen helt ud, hvis der anvendes en kabeltromle.

## Beskyttelse mod elektrisk stød

- Ungå kropskontakt med jordede overflader (f.eks. metalgælændere, lygtepæle osv.). Den elektriske sikkerhed kan forbedres yderligere ved brug af en højfølsom (30 mA / 30 mS) fejlstrømsafbryder.



Advarsel! Brug af en fejlstrømsafbryder eller en anden kredsløbsafbryder fritager ikke brugeren af kædesaven fra de sikkerhedsinstruktioner og sikre arbejdsmetoder, der er anvist i denne brugsanvisning.

## Yderligere sikkerhedsvejledninger

- Dette apparat må ikke bruges af personer (herunder børn) med nedsatte fysiske, sensoriske eller mentale evner eller manglende erfaring og viden, med mindre det sker under overvågning, eller der gives instruktion i brugen af apparatet af en person, der er ansvarlig for deres sikkerhed.
- Børn skal holdes under opsyn, så det sikres, at de ikke leger med værktøjet.
- Sørg for, at der står en anden i nærheden (men i sikker afstand) for det tilfælde, at der skulle ske et uheld.
- Hvis du af en eller anden grund skal røre ved savkæden, skal du sørge for, at kædesaven er afbrudt ved stikkontakten.
- Støjen fra dette produkt kan overstige 85 dB(A). Vi anbefaler derfor, at du tager de relevante forholdsregler til beskyttelse af hørelsen.

## Restrisici.

Der kan opstå yderligere restrisici under brugen af værktøjet, som ikke kan medtages i vedlagte sikkerhedsadvarsler. Disse risici kan opstå pga. forkert anvendelse, langvarig brug etc. Selv ved overholdelse af relevante sikkerhedsforskrifter og anvendelse af sikkerhedsudstyr kan visse restrisici ikke undgås. Disse omfatter:

- Tilskadekomst forårsaget af berøring af roterende/bevægelige dele.
- Tilskadekomst forårsaget af udskiftning af dele, blade eller tilbehør.
- Tilskadekomst forårsaget af langvarig brug af et værktøj. Husk at holde pause jævnlige ved brug af et værktøj i længere tid.
- Høreskader.
- Sundhedsrisici forårsaget af indånding af støv, der genereres ved brug af værktøjet (eksempel: Arbejde med træ, især, eg, bøg og MDF).

## Mærkater på værktøjet

Følgende symboler er anbragt på værktøjet:



Advarsel! Brugeren skal læse brugervejledningen for at reducere risikoen for tilskadekomst.



Bær altid høreværn og beskyttelsesbriller



Udsæt ikke værktøjet for regn eller høj luftfugtighed.



Tag altid stikket ud af kontakten, før du undersøger et beskadiget kabel. Pas på, at du ikke benytter kædesaven, hvis kablet er beskadiget.



Direktiv 2000/14/EF garanteret lydeffekt



For at sikre, at saven er sikker at bruge, skal kædens stramning kontrolleres som beskrevet i denne vejledning for hver 10 minutters brug og om nødvendigt justeres tilbage til en frigang på 3 mm.

## Funktioner

- Afbryderkontakt
- Låseknap
- Oliedæksel
- Frontskærm/kædebremse
- Indikator for oliestand
- Kæde
- Sværd
- Kædedæksel
- Kontrolknap
- Kædebeskytter

## Samling



Advarsel! Bær altid beskyttelseshandsker, når du arbejder med kædesaven.



Advarsel! Før der udføres vedligeholdelse på elværktøj, skal det slukkes, og stikket skal tages ud.



## Smøring af kæden

Du skal gøre dette, hver gang du bruger en ny kæde (6) for første gang. Lad den nye kæde (6) ligge i kædeolie i mindst en time, før den tages i brug. Anvend kædeolie fra Black & Decker.

Vi anbefaler, at du kun benytter olie fra Black & Decker i hele kædesavens levetid, da en blanding af forskellige olier kan medføre, at olien nedbrydes, hvilket kan forkorte savkædens levetid væsentligt.

Brug aldrig spildolie, tyk olie eller meget tynd symaskineolie. Det kan beskadige kædesaven.

## Montering af kæden og sværdet (fig. A - E)

- ◆ Anbring kædesaven på en stabil overflade.
- ◆ Indstil frontskærms-/kædebremseenheden til forreste position (fig. D).
- ◆ Løsn kontrolknappen (9) (fig. A) helt.
- ◆ Fjern kædebeskytterenheden (10).
- ◆ Anbring kæden (6) over sværdet (7), idet du sørger for, at tænderne på savkæden på den øverste del af sværdet (7) vender mod forsiden (fig. B).
- ◆ Før kæden (6) omkring sværdet (7), og træk i den for at danne en løkke på den ene side af den bageste ende af sværdet (7).
- ◆ Før kæden (6) omkring kædetrækket (12). Placer sværdet (7) på dets monteringsbøsninger (13) (fig. E).

**Advarsel!** Kontroller, at frontskærms-/kædebremseenheden (4) er i den indstillede (fremme) position, før den monteres igen (fig. C).

- ◆ Kontroller, at kammen (11) (fig. B) er i den korrekte position, før kædebeskyttelsesenheden monteres igen. Tryk om nødvendigt kontrolknappen (9) ind, og drej den med uret, for at dreje kammen til den korrekte position.
- ◆ Monter kædebeskyttelsen vha. boltene og brug af kontrolknappen (9) til at spænde kædebeskyttelsen let.
- ◆ Løsn kontrolknappen en omdrejning, tryk den ind og drej den med uret for at stramme kæden. Sørg for, at kædeleddene går ind i sværdet, når sværdet bevæger sig fremad.
- ◆ Lad styreknappen springe tilbage til position "ude", og drej yderligere med uret for at spænde sværdet. Stram ikke for meget.
- ◆ Kontroller kædens stramning som beskrevet herunder.

## Kontrol og justering af kædens stramning (fig. G)

Før brug og for hvert 10. minut skal kædens stramning kontrolleres.

- ◆ Træk værktøjets ledning ud af stikkontakten.
- ◆ Træk let i kæden (6) som vist (indsat fig. G). Stramningen er korrekt, hvis kæden (6) springer tilbage efter at være trukket 3 mm væk fra sværdet (7). Der må ikke være

nogen "nedbøjning" mellem sværdet (7) og kæden (6) på undersiden.

**Bemærk:** Stram ikke kæden for meget, da det vil medføre for kraftigt slid og reducere levetiden for både sværd og kæde.

**Bemærk:** Kontroller regelmæssigt stramningen, når kæden er ny (efter frakobling fra strømforsyningen) under de første 2 timers brug, da en ny kæde strækker sig en smule.

## Forøgelse af stramningen

- ◆ Løsn kontrolknappen en omdrejning, tryk den ind og drej den med uret, til den ønskede stramning er nået. Sørg for, at kædeleddene går ind i sværdet, når sværdet bevæger sig fremad.
- ◆ Lad styreknappen springe tilbage til position "ude", og drej yderligere med uret for at spænde sværdet. Stram ikke for meget.

## Anvendelse

**Advarsel!** Lad værktøjet arbejde i dets eget tempo. Det må ikke overbelastes.

## Påfyldning af oliebeholderen (fig. F)

- ◆ Fjern oliedækslet (3), og fyld beholderen med den anbefalede kædeolie. Du kan se oliestanden på indikatoren for oliestand (5). Sæt oliedækslet (3) på igen.
- ◆ Sluk regelmæssigt, og kontroller indikatoren for oliestand (5); hvis beholderen er mindre end kvart fyldt, skal du tage kædesaven ud af stikkontakten og fylde op med den korrekte olie.

## Start

**Bemærk:** Det er ikke muligt at tænde for værktøjet, hvis frontskærms-/kædebremseenheden ikke er i den "indstillede" position.

- ◆ Hold fast i kædesaven med begge hænder. Tryk på låseknapen (2) og derefter på afbryderkontakten (1) for at starte.
- ◆ Fjern tommelfingeren fra låseknapen (2), og grib godt fast om håndtaget, når motoren starter.

Overbelast ikke værktøjet, lad det gøre arbejdet selv.

Værktøjet arbejder bedre og sikrere med den hastighed, det er designet til. Savkæden (6) strækker sig, hvis den belastes for kraftigt.

## Sådan indstilles kædebremsen (fig. C)

- ◆ Kontrollér, at værktøjet er afbrudt ved stikkontakten.
- ◆ Træk frontskærms-/kædebremseenheden (4) tilbage til den "indstillede" position.
- ◆ Værktøjet er nu klar til brug.

## Sådan fungerer anti-tilbageslags-kædebremsen

I tilfælde af tilbageslag får din venstre hånd kontakt med

frontskærmen, skubber den frem mod arbejdsområdet og stopper værktøjet på en brøkdæl af et sekund.

### Sådan testes anti-tilbageslags-kædebremsen (fig. C)

- ◆ Kontroller altid inden brug, at tilbageslagsbremsen fungerer korrekt.
- ◆ Grib fast om værktøjet med begge hænder på en fast overflade. Sørg for, at savkæden (6) er fri af jorden, og tænd for værktøjet (se afsnittet "Sådan tændes for kædesaven").
- ◆ Drej venstre hånd fremad omkring det forreste håndtag, så bagsiden af hånden rører ved frontskærms-kædebremseenheden (4), og skub den fremad mod arbejdsområdet (fig. C). Savkæden (6) skal nu standse på en brøkdæl af et sekund.

Nulstil efter betjening af frontskærms-/kædebremseenheden (4) ved at følge instruktionerne under "Sådan indstilles kædebremsen".

Bemærk: Undgå at genstarte værktøjet, indtil du kan høre, at motoren er helt standset.

Bemærk: Indlever produktet til et autoriseret Black & Decker-servicecenter, hvis kædebremsen ikke fungerer korrekt.

### Hvis savkæden (6) eller sværdet (7) sætter sig fast

- ◆ Sluk værktøjet.
- ◆ Træk værktøjets ledning ud af stikkontakten.
- ◆ Åbn snittet med kiler for at mindske belastningen på sværdet (7). Prøv ikke at vride kædesaven fri.
- ◆ Sav igen et nyt sted.

### Fældning (fig. H - J)

Uerfarne brugere bør ikke forsøge at fælde træer. Brugeren kan komme til skade, eller der kan opstå materielle skader som følge af manglende kontrol over faldretning, træet kan splintre, eller beskadigede/døde grene kan falde ned under savning.

Sikker afstand mellem et træ, der skal fældes, og omkringstående, bygninger og andre genstande er 2 1/2 gange træets højde. Omkringstående, bygninger eller genstande inden for denne afstand risikerer at blive ramt af træet, når det fældes.

Før du forsøger at fælde et træ:

- ◆ Kontroller, at der ikke er lokale vedtægter eller bestemmelser, som forbyder eller begrænser fældning af træer.
- ◆ Tag alle forhold, som kan påvirke faldretningen, i betragtning, herunder:
  - Den tilsigtede faldretning.
  - Træets naturlige hældning.
  - En usædvanligt tung stammestruktur eller forrådelse.

- Omkringstående træer og hindringer inkl. el-ledninger og underjordiske rør.

- Vindens hastighed og retning.

Planlæg en sikker flugtvej fra faldende træer eller grene.

Kontroller, at undvigeruten er fri for hindringer, der kan forhindre eller hæmme bevægelsesfriheden. Husk, at vådt græs og nyskåret bark er glat.

- ◆ Forsøg ikke at fælde træer, hvis diameter er større end kædesavens skærelængde.
- ◆ Sav et retningsnit for at bestemme faldretningen.
- ◆ Lav et vandret snit til en dybde af mellem 1/5 og 1/3 af træets diameter vinkelret på faldlinjen nederst på træet (fig. H).
- ◆ Lav yderligere et snit ovenfra, så det skærer det første i en vinkel på omkring 45°.
- ◆ Skær et enkelt vandret fældningsnit fra den anden side 25 mm til 50 mm over midten af retningsnittet (fig. I). Undgå at skære igennem til retningsnittet, da du kan miste kontrollen med faldretningen.
- ◆ Driv én eller flere kiler ind i dette snit for at åbne det og få træet til at falde (fig. J).

### Beskæring af træer

Kontroller, at der ikke er lokale vedtægter eller bestemmelser, som forbyder eller begrænser fældning af træer. Beskæring må kun foretages af erfarne brugere, da der er en øget risiko for, at savkæden kan sætte fast og slå tilbage.

Før beskæring skal du overveje de forhold, der påvirker faldretningen, bl.a.:

- ◆ Længde og vægt af den gren, der skal skæres af.
- ◆ En usædvanligt tung stammestruktur eller forrådelse.
- ◆ Omkringstående træer og hindringer inkl. el-ledninger.
- ◆ Vindens hastighed og retning.
- ◆ At grenen flettes ind i andre grene.

Brugeren skal overveje adgangen til grenen og faldretningen. Grenen vil sandsynligvis svinge mod træstammen. Ud over for brugeren er der fare for omkringstående, genstande og ejendomme under grenen.

- ◆ For at undgå splintring skal der først skæres et snit opad til maks. en tredjedel af grenens tykkelse.
- ◆ Det andet snit skæres nedefter, så det møder det første.

### Kapning (fig. K - M)

Den måde, du skal skære på, afhænger af, hvordan stammen er understøttet.

Brug en savbuk, når det er muligt. Start altid et snit med savkæden kørende og den takkede kant (16) i berøring med træet (fig. K). Afslut snittet med en drejebbevægelse af den takkede kant mod træet.

Hvis stammen er understøttet i hele sin længde:

- ◆ Lav et nedadgående snit, men undgå at skære i jorden, da dette hurtigt vil kunne forringe savkæden.

Hvis stammen er understøttet i begge ender:

- ◆ Skær først en tredjedel ned for at undgå splintring, og sav derefter igen for at møde det første snit.

Hvis stammen er understøttet i den ene ende

- ◆ Skær først en tredjedel opad for at undgå splintring, og skær derefter nedad for at forhindre splitning.

Hvis du står på en skråning (fig. L):

- ◆ Stå altid oven for arbejdsstedet.

Hvis du vil save i en træstamme, der ligger jorden (fig. L):

- ◆ Fastgør arbejdsemnet vha. klodser eller kiler. Brugeren eller tilskuere må ikke støtte stammen ved at sidde eller stå på den. Sørg for, at savkæden ikke berører jorden.

Ved brug af en savbuk (fig. M):

Dette anbefales kraftigt, når det er muligt.

- ◆ Anbring stammen, så den ligger stabilt. Skær altid på ydersiden af savbukkens arme. Brug klemmer eller remme til at fastgøre arbejdsemnet.

## Fejlfinding

Problem	Mulig årsag	Mulig løsning
Værktøjet vil ikke starte	Der er ikke trykket på låseknappen.	Tryk på låseknappen.
	Frontskærmen er i bremseposition	Nulstil frontskærmen
	En sikring er gået	Udskift sikringen
	Fejlstrømsbeskyttelsen har slået fra	Kontroller fejlstrømsbeskyttelsen
	Ledningen er ikke sat i	Kontroller strømfor- syningen
	Kæden stopper ikke omgående, når værktøjet slukkes	Kæden er for slap

Problem	Mulig årsag	Mulig løsning
Sværdet/kæden virker varm/ryger	Oliebeholder tom	Kontroller oliebeholderens indhold
	Oliehul i sværdet blokeret	Rens oliehuset
	Kæden er for stram	Kontroller kædens stramning
	Sværdets træk- spids trænger til smøring	Smør sværdets trækspids
Kædesaven saver ikke ordentligt	Kæden kører baglæns	Kontroller/skift kæderetning
		Slib
Kædesaven bruger ikke olie	Snavs i beholderen	Tap olien af beholderen, og fyld nu olie på
	Oliehul i dæksel blokeret	Fjern snavs fra hullet
	Snavs i sværdet	Fjern snavs, og rengør sværdet
	Snavs i olieudløbet	Fjern snavs

## Vedligeholdelse

Regelmæssig vedligeholdelse sikrer en lang effektiv levetid for værktøjet. Vi anbefaler, at du udfører følgende kontrol med jævne mellemrum.

**Advarsel!** Før udførelse af nogen form for vedligeholdelse på elværktøj:

- ◆ Sluk værktøjet, og træk ledningen ud af stikkontakten.

## Oliestand

Niveaet i beholderen må ikke komme ned under kvart fuld.

## Savkæden og sværdet (fig. G)

- ◆ Tag sværdet(7) og savkæden (6) af, hver gang saven har været brugt nogle timer og før opbevaring, og rengør dem omhyggeligt.
- ◆ Kontrollér, at skærmen er ren og fri for fremmedlegemer.
- ◆ Ved den efterfølgende samling skal sværdet (7) drejes 180° og trækspidsen smøres gennem træksmørehullet (17). Derved sikres en ligelig fordeling af sliddet omkring sværdskinne.

## Slibning af savkæden

Hvis værktøjet skal yde sit bedste, er det vigtigt at holde tænderne på savkæden skarpe.

Du finder vejledningen til denne fremgangsmåde på slibesættets emballage. Til dette formål anbefaler vi Black & Deckers slibesæt til savkæder (fås hos Black & Decker-forhandlere og andre udvalgte forhandlere).

## Udskiftning af slidte savkæder

Udskiftningssavkæder fås i detailhandelen eller hos Black & Decker-forhandlere. Brug altid originale reservedele.

## Savkædens skarphed

Tænderne på savkæden bliver øjeblikkeligt sløve, hvis de berører jorden eller et søm under savning.

## Savkædens stramning

Kontroller regelmæssigt savkædens stramning.

## Hvad du skal gøre, hvis kædesaven skal repareres.

Denne kædesav overholder de relevante sikkerhedsforskrifter. Reparationer må kun foretages af kvalificerede personer og med originale reservedele. I modsat fald kan der opstå betydelig fare for brugeren. Vi anbefaler, at du opbevarer denne brugsanvisning et sikkert sted.

## Miljø



Særlig bortskaffelse. Dette produkt må ikke bortskaffes sammen med almindeligt husholdningsaffald.

Når dit Black & Decker-produkt en dag er udtjent, eller du ikke længere har brug for det, må du ikke smide det ud sammen med det almindelige affald. Produktet skal bortskaffes separat.



Ved separat bortskaffelse af brugte produkter og emballage bliver der mulighed for at genanvende forskellige materialer. Genanvendelse af materialer medvirker til at forebygge miljøforurening og mindsker behovet for råstoffer.

Lokal lovgivning kan kræve separat indsamling af elektriske husholdningsapparater på kommunale affaldsdepoter eller af den detailhandlende ved køb af et nyt produkt.

Black & Decker sørger for at indsamle og genanvende Black & Decker-produkter, når disse ikke længere kan bruges. Hvis

du vil benytte dig af denne service, skal du returnere produktet til et autoriseret værksted, der indsamler produkterne for os.

Kontakt det lokale Black & Decker-kontor på den adresse, der er angivet i denne vejledning, for at få oplysninger om nærmeste autoriserede værksted. En liste over alle autoriserede Black & Decker-serviceværksteder samt servicevilkår og kontaktpersoner er tilgængelig på internettet på adressen: [www.2helpU.com](http://www.2helpU.com)

## Tekniske data

	GK1630T		GK1635T	
	Typ. 5		Typ. 5	
Sværdlængde	cm	30		35
Spænding	V <sub>AC</sub>	230		230
Indgangseffekt	W	1600		1600
Kædehastighed (ubelastet)	m/s	8		8
Maks. skærelængde	cm	30		35
Oliekapacitet	ml	180		180
Vægt	kg	3.7		3.8
Sikkerhedsklasse	II			II

GK1640T	
Typ. 5	
Sværdlængde	cm 40
Spænding	V <sub>AC</sub> 230
Indgangseffekt	W 1600
Kædehastighed (ubelastet)	m/s 8
Maks. skærelængde	cm 40
Oliekapacitet	ml 180
Vægt	kg 3.9
Sikkerhedsklasse	II

## Lydtrykniveau i henhold til EN 60745:

Lydtryk (L<sub>pm</sub>) 92 dB(A), usikkerhed (K) 3 dB(A)

Lydtryk (L<sub>wa</sub>) 103 dB(A), usikkerhed (K) 3 dB(A)

## Samlede værdier for vibration (triaksial vektorsum) i henhold til EN 60745:

Vibrationsemissionsværdi (a) 5 m/s<sup>2</sup>, usikkerhed (K) 1,5 m/s<sup>2</sup>

## EF-overensstemmelseserklæring

MASKINDIREKTIV  
DIREKTIV FOR STØJ UDEN DØRE



GK1630T, GK1635T, GK1640T

Black & Decker erklærer, at produkterne beskrevet under "Tekniske data" er i overensstemmelse med: 98/37/EF (frem til 28. dec. 2009), 2006/42/EF (fra 29. dec. 2009), EN 60745-1, EN 60745-2-13

2000/14/EF, Kædesav, Annex V  
KEMA Quality B.V., Utrechtseweg 310, 6802 ED Arnhem,  
Holland  
Notified Body ID No.: 0344

Lydintensitetsniveau i henhold til 2000/14/EF  
(artikel 13, Annex III):

$L_{WA}$  (målt lydeffekt) 103 dB (A) Usikkerhed = 3 dB(A)

$L_{WA}$  (garanteret lydeffekt) 103 dB (A) Usikkerhed = 3 dB(A)

Disse produkter er endvidere i overensstemmelse med direktiv 2004/108/EF. Kontakt Black & Decker på nedenstående adresse, eller se vejledningens bagside for at få flere oplysninger.

Undertegnede er ansvarlig for udarbejdelsen af de tekniske data og fremsætter denne erklæring på vegne af Black & Decker.

Kevin Hewitt  
Vice-President Global Engineering  
Black & Decker Europe, 210 Bath Road, Slough,  
Berkshire, SL1 3YD  
Storbritannien  
01-12-2009

## Garanti

Black & Decker garanterer, at produktet er fri for skader og fejl og tilbyder en fremragende garanti. Garantien er et tillæg til forbrugerens lovsikrede rettigheder og påvirker ikke disse. Garantien gælder inden for medlemsstaterne af den Europæiske Union og i det Europæiske Frihandelsområde.

Hvis et Black & Decker-produkt går i stykker på grund af materiel skade og/eller fabrikationsfejl eller på anden måde ikke fungerer i overensstemmelse med specifikationen inden for 24 måneder fra købsdatoen, påtager Black & Decker sig at reparere eller ombytte produktet med mindst mulig ulempe for kunden. Garantien gælder ikke for fejl og mangler, der er sket i forbindelse med:

- ◆ Produktet har været anvendt erhvervs-mæssigt eller til udlejning.
- ◆ Produktet har været anvendt forkert eller er ikke vedligeholdt.
- ◆ Produktet er beskudiget af fremmedlegemer, substanser eller pga. uheld.
- ◆ Garantien gælder ikke, hvis reparationer er udført af andre end et autoriseret Black & Decker-værksted.

For at udnytte garantien skal produktet og købskvitteringen indleveres til forhandleren eller til et autoriseret værksted. Kontakt det lokale Black & Decker-kontor på den adresse, der er angivet i denne vejledning, for at få oplysninger om nærmeste autoriserede værksted. En liste over alle autoriserede Black & Decker-serviceværksteder samt servicevilkår og kontaktpersoner er tilgængelig på internettet på adressen: [www.2helpU.com](http://www.2helpU.com)

Gå venligst ind på vores website [www.blackanddecker.da](http://www.blackanddecker.da) for at registrere dit nye produkt og for at blive holdt ajour om nye produkter og specialtilbud. Der findes yderligere oplysninger om mærket Black & Decker og vores produktsortiment på [www.blackanddecker.da](http://www.blackanddecker.da)

## Käyttötarkoitus

Black & Decker -ketjusaha on tarkoitettu puiden kaatoon ja karsintaan sekä halkojen katkaisuun. Tämä työkalu on tarkoitettu vain yksityiskäyttöön.

## Turvallisuusohjeet

### Sähkötyökalujen yleiset turvavaroitukset



**Varoitus!** Lue kaikki turvavaroitukset ja ohjeet. Alla olevien varoitusten ja ohjeiden noudattamisen laiminlyönti saattaa johtaa sähköiskun, tulipaloon ja/tai vakavaan loukkaantumiseen.

Säästä kaikki varoitukset ja ohjeet tulevaa käyttöä varten. Ohjeissa käytetty käsite "sähkötyökalu" tarkoittaa verkkokäyttöisiä sähkötyökaluja (verkkojohdolla varustettuja) ja akkukäyttöisiä sähkötyökaluja (ilman verkkojohtoa).

#### 1. Työalueen turvallisuus

- Pidä työalue puhtaana ja hyvin valaistuna. Työpaikan epäjärjestys tai valaisemattomat työalueet voivat johtaa tapaturmiin.
- Älä käytä sähkötyökalua räjähdysalttiissa ympäristössä, jossa on syttyvää nestettä, kaasua tai pölyä. Sähkötyökalu muodostaa kipinöitä, jotka saattavat sytyttää pölyn tai höyryt.
- Pidä lapset ja sivulliset loitolla sähkötyökalua käyttäessäsi. Voit menettää laitteesi hallinnan huomiosi suuntautuessa muualle.
- Sähkötyökalun pistokkeen on sovittava pistorasiaan. Pistoketta ei saa muuttaa millään tavalla. Älä käytä mitään pistorasiasovittimia maadoitettujen sähkötyökalujen kanssa. Alkuperäiset pistokkeet ja niille sopivat pistorasiat vähentävät sähköiskun vaaraa.
- Vältä koskettamasta maadoitettuja pintoja, kuten putkia, lämpöpattereita, liesiä tai jääkaappeja. Sähköiskun vaara kasvaa, jos vartalosi on maadoitettu.
- Älä altista sähkötyökalua sateelle tai kosteudelle. Veden tunkeutuminen sähkötyökalun sisään kasvattaa sähköiskun riskiä.
- Älä käsittele virtajohtoa kovakouraisesti. Älä käytä sitä sähkötyökalun kantamiseen, vetämiseen tai pistokkeen irrottamiseen pistorasiasta. Pidä johto loitolla kuumuudesta, öljyistä, terävistä reunoista ja liikkuvista osista. Vahingoittuneet tai sokeutuneet johdot lisäävät sähköiskun vaaraa.
- Käyttäessäsi sähkötyökalua ulkona käytä ainoastaan ulkokäyttöön soveltuvaa jatkojohtoa. Ulkokäyttöön soveltuvan jatkojohtoon käyttö pienentää sähköiskun

vaaraa.

- Jos sähkötyökalua on välttämättä käytettävä kosteassa paikassa, käytä vikavirtasuojalla (RCD) suojattua virtalähdettä.** Vikavirtasuojan käyttö vähentää sähköiskun vaaraa.

#### 3. Henkilöturvallisuus

- Keskity työskentelyysi ja noudata tervettä järkeä käyttäessäsi sähkötyökaluja. Älä käytä sähkötyökalua, jos olet väsynyt tai huumeiden, alkoholin tai lääkkeiden vaikutuksen alaisena. Hetken tarkkaamattomuus sähkötyökalua käytettäessä saattaa johtaa vakavaan loukkaantumiseen.
  - Käytä henkilökohtaisia suojavarusteita. Käytä aina suojalaseja. Suojavarusteet, kuten hengityssuojain, luistamattomat turvajalkineet, kypärä ja kuulosuojaimet, pienentävät loukkaantumisriskiä, jos niitä käytetään tilanteen mukaan oikein.
  - Vältä tahatonta käynnistämistä. Varmista, että virta on katkaistu käyttökytkimellä, ennen kuin liität laitteen virtalähteeseen ja/tai akkuun, nostat laitteen tai kannat sitä. Onnettomuusvaara lisääntyy, jos kannat sähkötyökalua sormi käyttökytkimellä tai kytket työkalun virtajohtoon pistorasiaan, kun käyttökytkin on päällä.
  - Irrota mahdollinen säätö- tai kiintoavain ennen kuin käynnistät sähkötyökalun. Työkalu tai avain, joka sijaitsee laitteen pyörivässä osassa, saattaa johtaa loukkaantumiseen.
  - Älä kurkota. Seiso aina tukevasti ja tasapainossa. Niin voit paremmin hallita sähkötyökalua odottamattomissa tilanteissa.
  - Käytä tarkoitukseen soveltuvia vaatteita. Älä käytä löysiä työvaatteita tai koruja. Pidä hiukset, vaatteet ja käsineet loitolla liikkuvista osista. Vältä vaatteet, korut ja pitkät hiukset voivat takertua liikkuviin osiin.
  - Jos työkalun voi liittää pölynimuriin, tarkista, että liitos on tehty asianmukaisesti ja että laitteita käytetään oikealla tavalla.** Pölynimurin käyttö voi vähentää pölyn aiheuttamia vaaroja.
- #### 4. Sähkötyökalujen käyttö ja hoito
- Älä ylikuormita sähkötyökalua. Käytä kulloiseenkin työhön parhaiten soveltuvaa sähkötyökalua. Sopivaa sähkötyökalua käyttäen työskentelet paremmin ja turvallisemmin tehoalueella, jolle sähkötyökalu on tarkoitettu.
  - Älä käytä sähkötyökalua, jota ei voida käynnistää ja pysäyttää virtakytkimestä. Sähkötyökalu, jota ei enää voida käynnistää ja pysäyttää käynnistyskytkimellä, on vaarallinen, ja se täytyy korjata.
  - Irrota pistotulppa pistorasiasta ja/tai akku laitteesta ennen kuin suoritat säätöjä, vaihdat tarvikkeita tai

siirrä sähkötyökalun varastoitavaksi. Nämä turvatoimenpiteet pienentävät sähkötyökalun tahattoman käynnistämisen riskiä.

- d) Säilytä sähkötyökalut poissa lasten ulottuvilta, kun niitä ei käytetä. Älä anna sähkötyökalua sellaisen henkilön käyttöön, joka ei tunne sitä tai joka ei ole tutustunut tähän käyttöohjeeseen. Sähkötyökalut ovat vaarallisia, jos niitä käyttävät kokemattomat henkilöt.
- e) Hoida sähkötyökalusi huolella. Tarkista, että liikkuvat osat toimivat moitteettomasti ja etteivät ne ole puristuksessa. Tarkista myös, ettei työkalussa ei ole murtuneita tai vahingoittuneita osia, jotka saattaisivat vaikuttaa haitallisesti sen toimintaan. Korjauta mahdolliset viat ennen käyttöönottoa. Moni tapaturma aiheutuu huonosti huolletuista laitteista.
- f) Pidä leikkausterät terävinä ja puhtaina. Huolellisesti hoidetut leikkausterät, joiden leikkausreunat ovat teräviä, eivät tartu helposti kiinni, ja niitä on helpompi hallita.
- g) Käytä sähkötyökaluja, tarvikkeita, vaihtoteriä yms. näiden ohjeiden mukaisesti. Ota tällöin huomioon työolosuhteet ja suoritettava toimenpide. Sähkötyökalun käyttö muuhun kuin sille määrättyyn käyttöön saattaa johtaa vaarallisiin tilanteisiin.

## 5. Huolto

- a) Korjauta sähkötyökalu koulutetulla ja ammattitaitoisella henkilöllä ja hyväksy korjauksiin vain alkuperäisiä varaosia. Siten varmistat, että sähkötyökalu säilyy turvallisena.

## Sähkötyökalujen lisäturvavaroitukset



**Varoitus!** Lisäturvavaroitukset ketjusahoille.

- ◆ Ole huolellinen, ettei teräketju osu sinuun itseisi sahausken missään vaiheessa. Varmista ennen sahan käynnistämistä, ettei teräketju kosketa mihinkään. Jos tarkkaavaisuutesi pääsee herpaantumaan sahausken aikana, esimerkiksi vaatteesi tai jäsenesi voivat takertua teräketjuun.
- ◆ Pidä ketjusahaa oikealla kädellä sen takakahvasta ja vasemmalla sen etukahvasta. Vastakkainen ote sahosta lisää onnettomuusriskiä. Älä koskaan käytä vastakkaista otetta.
- ◆ Käytä aina kuulosuojaimia ja suojalaseja. Pään, käsien ja jalkojen suojavarusteet ovat suositeltavia. Kunnollinen suojavaatetus vähentää lentävien puunsäilöjen ja teräketjun kosketusten aiheuttamia onnettomuuksia.
- ◆ Älä käytä ketjusahaa puussa. Loukkaantumriski on erittäin suuri, jos kiipeät puuhun sahaamaan.

- ◆ Käytä suojaavia jalkineita ja seiso sahatessasi tasaisella ja tukevalla alustalla. Sahaaminen liukkaalla tai epävakaalla työskentelypaikalla, kuten tikapuilla, voi johtaa tasapainon tai sahan hallinnan menetykseen.
- ◆ Ole varovainen katkaistessasi jännittyneenä olevaa oksaa, sillä se saattaa ponnahtaa yllättävään suuntaan. Kun puun jännitys laukeaa, ponnahtava oksa voi osua käyttäjään ja/tai työkaluun ja aiheuttaa hallinnan menetyksen.
- ◆ Ole hyvin varovainen sahatessasi pensaita tai vesakkoa. Taipuisat oksat voivat tarttua teräketjuun ja iskeytyä sahaajaan tai horjuttaa hänen tasapainoaan.
- ◆ Kanna ketjusahaa etukahvasta virta katkaistuna ja terä suunnattuna itsestäsi pois päin. Aseta laipan suojuos paikalleen sahan kuljetuksen ja varastoinnin ajaksi. Käsittele sahaa huolellisesti, ettet vahingossa kosketa pyörivää teräketjua.
- ◆ Noudata voitelusta, ketjun kireydestä ja osien vaihdosta annettuja ohjeita. Väärin kiristetty tai voitelematon ketju voi katketa tai lisätä takapotkun mahdollisuutta.
- ◆ Pidä kädensijat kuivina ja puhtaina öljystä ja rasvasta. Rasvaiset tai öljyiset kahvat ovat liukkaat, ja ote heltiää niistä helposti.
- ◆ Käytä työkalua vain oksien ja ohuiden puiden katkaisuun. Älä käytä sahaa muuhun kuin sille suunniteltuun tarkoitukseen. Esimerkki: älä sahaa muovia, betonia tai muuta rakennusmateriaalia, joka ei ole puuta. Ketjusahan käyttö muuhun kuin sille tarkoitettuun tehtävään voi johtaa vaarallisiin tilanteisiin.
- ◆ Aseta virtajohto niin, etteä se ei tartu sahatessa oksiin tai muihin vastaaviin esineisiin.
- ◆ Kaatopidikistä (16) voi tulla terävä sahan käyttöaikana. Käsittele varoen.
- ◆ Terälevy voi kuumentua laitetta käsitellessä. Käsittele varoen.

### Takapotkun syyt ja niiden estäminen

Takapotkun voi aiheuttaa laipan kärjen osuminen johonkin tai terän jääminen puristuksiin.

Laipan kärjen osuminen kiinteään kohteeseen voi potkaista pyörivän ketjun voimakkaasti päin sahaajaa.

Teräketjun puristuminen laipan yläpintaan voi myös aiheuttaa nopean takapotkun.

Molemmat edellä kuvatuista tilanteista voivat johtaa sahan hallinnan menetykseen ja loukkaantumiseen. Älä luota pelkästään ketjusahan turvalaitteisiin. Ketjusahan käyttäjän on itse huolehdittava siitä, etteivät sahausolosuhteet aiheuta vaarallilanteita.

Takapotku on seuraus sahan vääristä käyttötavoista tai -olosuhteista ja sen voi välttää noudattamalla alla kuvattuja varotoimia.



- ◆ **Tartu sahaan lujalla otteella kummastakin kahvasta.** Kun kädet pitävät kiinni sahasta, asetu sellaiseen asentoon, että voit vastustaa takapotkua. Sahaaja pystyy hyvin vastustamaan takapotkun voimaa noudattamalla esitettyjä varotoimia. Älä helleitä otettasi sahasta kesken työn.
- ◆ **Älä kirkota liikaa äläkä sahaa hartiatason yläpuolella.** Näin estät tahattomat kärkkösketukset ja pystyt paremmin hallitsemaan sahaa yllättävissä tilanteissa.
- ◆ **Käytä varaosina vain valmistajan suosittelemia laippoja ja ketjuja.** Sahaan sopimattomat laipat tai ketjut voivat johtaa ketjurikkoihin ja/tai takapotkuihin.
- ◆ **Noudata valmistajan antamia sahan teroitus- ja huolto-ohjeita.** Syvyysohjaimen madaltaminen voi lisätä sahan alltiutta takapotkuihin.
- ◆ **Terän osuminen puun lähellä olevaan metalliin, betoniin tai muuhun kovaan materiaaliin voi aiheuttaa takapotkun.**
- ◆ **Tylsä tai löysä ketju voi aiheuttaa takapotkun.**
- ◆ **Älä sahaa vanhasta sahausurasta.** Se voi aiheuttaa takapotkun. Tee joka kerta uusi sahausviilto.

## Ketjusahan turvasuosituksukset

- ◆ **Ensikertalaisten sahan käyttäjien on erittäin suositeltavaa** pyytää käytännön ohjeita ketjusahan käytöstä ja turvalaitteista kokeneelta sahaajalta. Sahan käyttöä kannattaa opetella sahaamalla halkoja sahapukissa.
- ◆ **Tarkista aina ennen käyttöä, että takapotkujarru toimii oikein.**
- ◆ **Ketjusahan kuljetuksen aikana on suositeltavaa käyttää ketjujarrua ja pitää saha asennossa, jossa teräketju on taaksepäin.**
- ◆ **Pidä ketjusaha hyvässä kunnossa, kun se ei ole käytössä.** Jos ketjusaha on pitkiä aikoja käyttämättä, irrota teräketju ja laippa ja säilytä ne öljyyn upotettuna. Säilytä ketjusaha ja kaikki sen osat kuivassa, turvallisessa paikassa poissa lasten ulottuvilta.
- ◆ **Öljysäiliö kannattaa tyhjentää ennen varastointia.**
- ◆ **Varmista, että seisot tukevalla alustalla.** Katso etukäteen turvallinen poistumisreitti kaatuvan puun tai putoavien oksien tieltä.
- ◆ **Ohjaa puun kaatumissuuntaa kiiloilla.** Kiilojen avulla voit myös estää ketjun ja laipan juuttumisen leikkausuraan.
- ◆ **Ketjusahan huoltaminen** Pidä teräketju terävänä ja sopivan kireällä. Huolehdi siitä, että teräketju ja laippa ovat puhtaat ja hyvin öljytyt. Kahvojen on oltava kuivat, puhtaat, rasvattomat ja öljyttömät.

## Vältä:

- ◆ Käsitellyn puutavaran sahaamista.
- ◆ Maahan sahaamista.
- ◆ Verkkoaitojen, naulojen ja muiden sellaisten sahaamista.

## Tärinä

Teknisissä tiedoissa ja vaatimustenmukaisuusilmoituksessa ilmoitetut tärinäpäästöarvot on mitattu standardin EN 60745 testausmenetelmän mukaisesti, ja niiden avulla voidaan vertailla työkaluja keskenään. Ilmoitettua tärinäpäästöarvoa voidaan käyttää myös altistumisen alustavaan arviointiin.

**Varoitus!** Sähkötyökalun käytön aikana mitattu todellinen tärinäpäästöarvo voi poiketa ilmoitetusta tärinäpäästöarvosta työkalun käyttöolosuhteiden mukaan. Tärinäarvo voi olla ilmoitettua tasoa suurempi.

Kun tärinälle altistumista arvioidaan sen määrittämiseksi, mitä direktiivin 2002/44/EY mukaisia turvatoimenpiteitä vaaditaan sähkötyökaluja säännöllisesti käyttävien henkilöiden suojelemiseksi, tärinälle altistumisen arvioinnissa on otettava huomioon todelliset käyttöolosuhteet ja työkalun käyttötavat. Todellisen käytön lisäksi on kiinnitettävä huomiota myös siihen, milloin työkalu on sammutettuna tai se käy tyhjäkännillä.

## Sähköturvallisuus



Tämä laite on kaksoiseristetty, joten erillistä maadoitusta ei tarvita. Tarkista aina, että virtalähde vastaa arvokilvessä ilmoitettua jännitettä.

- ◆ Jos virtajohto vahingoittuu, sen vaihtaminen tulee turvallisuussyistä jättää valmistajan tai valtuutetun Black & Decker -huollon tehtäväksi.

## Jatkojohdon käyttäminen

- ◆ Käytä aina oikeanlaista jatkojohtoa, joka sopii tämän laitteen virransyöttöliitäntään (katso kohta Tekniset tiedot). Jatkojohdon on oltava ulkokäyttöön soveltuva ja siinä on oltava vastaava merkintä. Laitteen kanssa voidaan käyttää enintään 30 m pitkä 1,5 mm<sup>2</sup>:n HO7RN-F 2 X -jatkojohtoa ilman tehon heikkenemistä. Tarkista jatkojohdon kunto ennen sen käyttämistä. Vahingoittunut tai viallinen kaapeli on vaihdettava. Jos käytät jatkojohdotokela, kelaa johto aina täysin auki.

## Suojaudu sähköiskuilta.

- ◆ Vältä itse koskettamasta maadoitettuihin pintoihin (esim. metallikalusteisiin, lyhtypylväisiin jne.). Sähköturvallisuutta voi parantaa käyttämällä erittäin herkkää (30 mA / 30 mS) vikavirtasuojaa.



**Varoitus!** Se tai jokin muu virtapiirikatkaisin ei vapauta sahan käyttäjää tässä käyttöoppaassa esitettyjen turvallisten työtapojen ja turvaohjeiden noudattamiselta.

## Lisäturvaohjeet

- ◆ Tätä laitetta ei ole tarkoitettu sellaisten henkilöiden käyttöön, joilla on fyysisiä tai älyllisiä rajoitteita tai aistirajoitteita, eikä laitteen toimintaan perehtymättömien henkilöiden käyttöön (lapset mukaan luettuina), paitsi valvonnan alaisina, tai jos he ovat saaneet laitteen käyttöön liittyvää opastusta heidän turvallisuudestaan vastaavalta henkilöltä.
- ◆ Lapsia on valvottava ja heitä on estettävä leikkimästä laitteella.
- ◆ Varmista, että joku on lähellä (mutta turvallisen etäisyyden päässä) onnettomuuden varalta.
- ◆ Jos sinun on jostakin syystä kosketettava teräketjua, varmista, että saha on irrotettu verkkovirrasta.
- ◆ Sahan melutaso voi ylittää 85 dB(A). Tämän vuoksi on suositeltavaa käyttää asianmukaisia kuulosuojaimia.

## Jäännösriskit.

Jäännösriskit ovat mahdollisia, jos käytät työkalua muulla kuin turvavaroituksissa mainitulla tavalla. Nämä riskit voivat liittyä muun muassa virheelliseen tai pitkäaikaiseen käyttöön. Tiettyjä jäännösriskejä ei voi välttää, vaikka noudatat kaikkia turvamääräyksiä ja käytät turvalaitteita. Näihin kuuluvat muun muassa

- ◆ pyörivien tai liikkuvien osien koskettamisen aiheuttamat vahingot
- ◆ osia, teriä tai lisävarusteita vaihdettaessa aiheutuneet vahingot
- ◆ työkalun pitkäaikaisen käytön aiheuttamat vahingot  
Kun käytät työkalua pitkään, varmista, että pidät säännöllisesti taukoja.
- ◆ kuulovauriot
- ◆ työkalua käytettäessä (esimerkiksi puuta, erityisesti tammea, pyökkiä ja MDF-levyjä, käsiteltäessä) syntyneen pölyn sisäänhengityksen aiheuttamat terveysriskit.

## Laitteessa olevat merkinnät

Työkalussa on seuraavat kuvamerkinnot:



Varoitus! Käyttäjän on luettava käyttöohje vahinkojen välttämiseksi..



Käytä aina kuulosuojaimia ja suojalaseja



Älä käytä työkalua sateessa tai erittäin kosteissa olosuhteissa.



Irrota verkkojohto pistorasiasta aina ennen vaurioituneen johdon tarkistamista. Älä käytä ketjusahaa, jos virtajohto on vahingoittunut.



Direktiivin 2000/14/EY mukainen taattu ääniteho.



Varmista jatkuva turvallinen toiminta tarkistamalla ketjun kireys tässä käyttöohjeessa kuvatulla tavalla aina 10 käyttöminuutin jälkeen. Säädä ketjua takaisin 3 mm:n välykseen tarpeen vaatiessa.

## Yleiskuvasu

1. Virtakytin
2. Lukituspainike
3. Öljysäiliön tulppa
4. Etusuojoin/ketjujarru
5. Öljytason ilmaisin
6. Ketju
7. Laippa
8. Teräsuojus
9. Säätönuppi
10. Ketjukoppa

## Kokoaminen



Varoitus! Käytä aina suojakäsineitä käsitellessäsi ketjusahaa.



Varoitus! Katkaise laitteesta virta ja irrota virtajohto pistorasiasta aina ennen sähkötyökalun huoltotoimenpiteitä.

## Ketjun voitelu

Tämä on tehtävä aina, kun uusi ketju (6) otetaan käyttöön. Ota uusi ketju (6) ja anna sen liota ketjuöljyssä vähintään tunnin ennen käyttöä. Käytä Black & Decker -teräketjuöljyä. Voiteluun kannattaa käyttää aina Black & Decker -öljyä. Erilaisten öljyjen sekoittaminen voi huonontaa öljyn laatua. Tämä voi lyhentää ketjun käyttöikää huomattavasti ja aiheuttaa muita vaaroja. Älä koskaan käytä jäteöljyä, paksua öljyä tai erittäin ohutta ompelukoneöljyä. Ne voivat vaurioittaa ketjusahaa.

## Laipan ja ketjun asentaminen. (kuva A-E)

- ◆ Aseta saha tukevalle alustalle.
- ◆ Aseta etusuojain/ketjujarru etummaiseen asentoon (kuva D).
- ◆ Löysää säätönuppi (9) kokonaan (kuva A).
- ◆ Poista ketjukoppa (10).
- ◆ Aseta ketju (6) laipan (7) päälle. Varmista, että ketjun leikkausterät laipan yläosassa (7) osoittavat eteenpäin (kuva B).
- ◆ Ohjaa ketju (6) laipan (7) uraan ja vedä ketjua niin, että siihen jää lenkki laipan (7) takaosaan.
- ◆ Aseta ketju (6) vetopyörän (12) ympäri. Aseta laippa (7) paikalleen terän ohjaimiin (13) (kuva E).

**Varoitus!** Varmista, että etusuojain/ketjujarru (4) on oikeassa asennossa (eteenpäin) ennen asentamista (kuva C).

- ◆ Varmista, että kehrä (11) on oikeassa asennossa ennen ketjukopan asentamista (kuva B). Tarvittaessa paina ja käännä säätönuppia (9) myötäpäivään ja kierrä kehrä oikeaan asentoon.
- ◆ Asenna ketjukoppa asettamalla pultti paikalleen ja käyttämällä säätönuppia (9) ja kiristä ketjukoppa sormin.
- ◆ Kiristä ketju löysäämällä säätönuppia yksi täysi kierros, paina lujasti ja kierrä myötäpäivään. Kun terä liikkuu eteenpäin, varmista, että ketjun renkaat sopivat laippaan.
- ◆ Anna säätönupin ponnahtaa takaisin "pois"-asentoon ja kierrä edelleen myötäpäivään ja kiristä laippa. Älä kiristä liikaa.
- ◆ Tarkista kireys alla kuvatulla tavalla.

## Ketjun kireyden tarkastus ja säätö (kuva G)

Ketjun kireys on tarkastettava ennen käyttöä ja aina 10 minuutin käytön jälkeen.

- ◆ Irrota työkalun virtajohto sähköverkosta.
- ◆ Vedä ketjua (6) kevyesti kuvan esittämällä tavalla (kuvan G sisäkuva). Kireys on sopiva, kun ketju (6) napsahtaa takaisin paikalleen, kun sitä on vedetty 3 mm laipasta (7). Ketju (6) ei saa roikkoa laipan (7) alapuolella.

**Huomautus:** Älä kiristä ketjua liian tiukalle, koska tällöin laippa ja ketju kuluvat loppuun ennenaikaisesti.

**Huomautus:** Tarkista uuden ketjun kireys useaan kertaan (irrota virtajohto ensin pistorasiasta) 2 ensimmäisen käyttötunnin aikana, koska uusi ketju venyy hieman.

## Ketjun kiristäminen

- ◆ Löysää säätönuppia yksi täysi kierros ja kierrä myötäpäivään, kunnes ketju on tarpeeksi kireä. Kun terä liikkuu eteenpäin, varmista, että ketjun renkaat sopivat laippaan.
- ◆ Anna säätönupin ponnahtaa takaisin "pois"-asentoon ja kierrä edelleen myötäpäivään ja kiristä laippa. Älä kiristä liikaa.

## Käyttö

**Varoitus!** Anna koneen käydä omaan tahtiinsa. Älä ylikuormita sitä.

## Öljysäiliön täyttäminen (kuva F)

- ◆ Avaa öljysäiliön tulppa (3) ja täytä säiliö suositellulla ketjuöljyllä. Öljytaso näkyy ilmaisimesta (5). Kierrä säiliön tulppa (3) takaisin paikalleen.
- ◆ Sammuuta ketjusaha ja tarkista öljyn määrä ilmaisimesta (5) säännöllisesti. Jos öljyä on alle 1/4, irrota sahan virtajohto ja lisää oikeanlaista öljyä.

## Käynnistys

**Huomautus:** Ketjusaha ei käynnisty, jos etusuojain/ketjujarru (4) ei ole käyttöasennossa.

- ◆ Tartu ketjusahasta tukevasti molemmin käsin. Työnnä lukituspainiketta (2) ja käynnistä painamalla virtakytkintä (1).
- ◆ Kun moottori käynnistyy, irrota peukalo lukituspainikkeelta (2) ja pidä tukevasti kiinni kahvasta.

Älä ylikuormita laitetta, anna sen tehdä työ. Laitte toimii paremmin ja turvallisemmin sille suunnitellulla nopeudella. Liiallinen painaminen saa ketjun (6) venymään.

## Ketjujarrun asettaminen (kuva C)

- ◆ Varmista, että virtajohto on irrotettu pistorasiasta.
- ◆ Vedä etusuojain/ketjujarru (4) taaksepäin merkittyyn aloitusasentoon (kuva C).

## ◆ Saha on nyt käyttövalmis. Takapotkulta suojaavan ketjujarrun toiminta

Takapotkutilanteessa vasen käsi osuu etusuojaimen/ ketjujarruun työntäen sitä eteenpäin kohti sahauskohdetta ja pysäyttäen ketjusahan sekunnin murto-osassa.

## Takapotkulta suojaavan ketjujarrun testaaminen (kuva C)

- ◆ Tarkista aina ennen käyttöä, että takapotkujarru toimii oikein.
- ◆ Asetu tukevalle alustalle ja tartu sahaan lujasti molemmin käsin. Varmista, että ketju (6) ei kosketa maata ja käynnistä kone (ks. "Ketjusahan käynnistys").
- ◆ Kallista vasenta kättä kahvasta pitäen eteenpäin niin, että käsi koskettaa etusuojainta/ketjujarrua (4), ja työnnä sitä eteenpäin sahauskohteeseen päin (kuva C). Ketju (6) pysähtyy sekunnin murto-osassa.

Etusuojaimen/ketjujarrun (4) palauttaminen käyttöasentoon: Noudata kohdassa Ketjujarrun asettaminen esitettyjä ohjeita.

**Huomautus:** Moottorin on pysähdyttävä kokonaan ennen uudelleen käynnistämistä.

**Huomautus:** Jos ketjujarru ei toimi, vie laite valtuutettuun Black & Decker -huoltoon.

## Jos ketju (6) tai laippa (7) jumittuu:

- ◆ Katkaise työkalun virta.
- ◆ Irrota työkalun virtajohto sähköverkosta.
- ◆ Vapauta laippa (7) avaamalla sahausura kiiloilla. Älä yritä kiskoa tai vääntää sahaa irti.
- ◆ Aloita oksan katkaiseminen uudelleen toisesta kohdasta.

## Puiden kaataminen (kuvat H - J)

Puun kaatamista ei suositella kokemattomalle sahan käyttäjälle. Väärään suuntaan kaatuva puu voi aiheuttaa aineellisia tai henkilövahinkoja. Myös kaatuvan puun sälot tai kuivat oksat voivat saada aikaan vahinkoja.

Turvallinen etäisyys kaadettavan puun ja sivullisten, rakennusten ja muiden kohteiden välillä on 2,5 kertaa puun pituus. Tätä etäisyyttä lähempänä olevat sivulliset, rakennukset tai muut esineet voivat jäädä kaatuvan puun alle.

## Valmistelut ennen puun kaatoa

- ◆ Varmista etukäteen, että puun kaataminen on luvallista.
- ◆ Mieti etukäteen kaikkia putoamissuuntaan vaikuttavia tilanteita, joita ovat esimerkiksi seuraavat:
  - suunta, johon oksan pitäisi pudota
  - puun kallistussuunta
  - poikkeuksellisen raskaat oksat tai lahot kohdat
  - ympäröivät puut ja esteet, yli kulkevat sähköjohdot ja maanalaiset viemärit
  - tuulen nopeus ja suunta.

Suunnittele turvallinen poistumisreitti kaadettavan puun luota. Varmista, että poistumisreitti on esteetön. Muista, että märkä ruoho ja juuri irronnut puunkuori ovat liukkaita.

- ◆ Älä yritä kaataa puuta, joka on paksumpi kuin ketjusahan sahaussyvyys.
- ◆ Puun kaatumissuuntaa ohjataan sahauslovella.
- ◆ Sahaa puun tyveen, kaatosuuntaan nähden kohtisuoraan viilto, joka ulottuu puun sisään 1/5–1/3 puun läpimitasta (kuva H).
- ◆ Sahaa ensimmäisen viillon yläpuolelta noin 45 asteen kulmassa vino viilto, joka osuu vaakaviiltoon.
- ◆ Sahaa muodostuneen loven vastapuolelta, 2,5–5 cm loven keskikohdan yläpuolelle vaakasuora kaatoleikkaus (kuva I). Älä sahaa aivan loven saakka, ettei puu lähde kaatumaan väärään suuntaan.
- ◆ Lyö yksi tai useampi kiila kaatoviiltoon ja kaada puu (kuva J).

## Puiden karsiminen

Varmista etukäteen, että puun karsiminen on luvallista. Pystykarsinta on jätettävä kokeneen sahan käyttäjän tehtäväksi, koska teräketjun kiinnijäämisen ja takapotkujen riski on suuri.

Ennen karsintaa on arvioitava oksien putoamissuuntaan vaikuttavat tekijät, kuten

- ◆ katkaistavan oksan pituus ja paino
- ◆ poikkeuksellisen raskaat oksat tai lahot kohdat
- ◆ ympäröivät puut ja esteet ja yli kulkevat johdot
- ◆ tuulen nopeus ja suunta.
- ◆ oksan kiinnittyminen muihinoksiin.

Sahaajan on ensin selvitettävä, miten hän pääsee karsintakohtaan ja mihin oksa putoaa. Katkaistavat oksat kallistuvat puun runkoa kohti. Sahaajan lisäksi alla olevat sivulliset, esineet ja rakennukset ovat tällöin vaarassa.

- ◆ Säilytymisen estämiseksi oksaa sahataan ensin alhaalta päin enintään kolmasosan verran oksan paksuudesta.
- ◆ Sen jälkeen sahataan ylhäältä päin suoraan kohti alaileikkausta.

## Rungon katkaiseminen (kuva K–M)

Sahaustapa määräytyy tukin tuennan perusteella.

Käytä sahapukkia aina, kun mahdollista. Aloita sahaus aina siten, että teräketju pyörii ja kaatopiikit (16) ovat kiinni puussa (kuva K). Sahaa tukki poikki kallistamalla sahau puuta vasten olevien kaatopiikkien varassa.

## Kun puu on tuettuna koko pituudeltaan:

- ◆ Sahaa alaspäin. Estä teräketjun kosketus maahan, koska muuten ketju tylsyy nopeasti.

## Kun puu on tuettuna molemmista päistään:

- ◆ Sahaa ensin alaspäin 1/3 säilytymisen estämiseksi. Sahaa sitten toiselta puolelta loppuun.

## Kun tukki on tuettuna toisesta päästään:

- ◆ Sahaa ensin alta 1/3 rungon paksuudesta säilytymisen estämiseksi ja sitten loppuun ylhäältä alaspäin.

## Rinteessä (kuva L):

- ◆ Seiso aina ylämäen puolella.

## Jos sahattava puu on kokonaan maassa (kuva L),

- ◆ tue se tapeilla tai kiiloilla. Puuta ei saa tukea istumalla tai seisomalla sen päällä. Varo, ettei teräketju kosketa maahan.

## Sahapukkia käytettäessä (kuva M):

Sahapukin käyttö on suositeltavaa aina, kun se on mahdollista.

- ◆ Aseta puu vakaasti sahauspukille. Sahaa aina sahapukin reunojen ulkopuolelta. Sido sahattava puu hihnalla tai puristimella.

## Vianmääritys

Ongelma	Mahdollinen syy	Mahdollinen ratkaisu
Työkalu ei käynnisty.	Lukituspainike ei ole päällä.	Paina lukituspainiketta.
	Etusuojoin on jarruasennossa.	Palauta etusuojoin käyttöasentoon.
	Sulake on palanut.	Vaihda sulake.
	Vikavirtasuojia on lauennut.	Tarkista vikavirtasuojia.
	Virtajohto on irti.	Tarkista verkkovirtalähde.
Teräketju ei pysähdy välittömästi, kun laite on kytketty pois päältä.	Ketju ei ole tarpeeksi kireä.	Tarkista ketjun kireys.
Laippa/terä tuntuu kuormalta tai savuaa.	Öljysäiliö on tyhjä.	Tarkista säiliön öljytaso.
	Teräketjun voitelureikä on tukossa.	Puhdista voitelureikä.
	Ketju on liian kireällä.	Tarkista ketjun kireys.
	Laipan hammaspyöränokka on voideltava.	Voitele laipan hammaspyöränokka.
Ketjusaha ei sahaa hyvin.	Ketju on väärinpäin.	Tarkista/muuta ketjun suunta.
		Teroita
Ketjusaha ei käytä öljyä.	Säiliössä on roskia.	Poista öljy säiliöstä ja vaihda se.
	Suojuksen voitelureikä on tukossa.	Poista roskat reiästä.
	Terälevyissä on roskia.	Poista roskat ja puhdista terälevy.
	Öljynpoistoputkessa on roskia.	poista roskat

## Huolto

Säännöllisellä huollolla varmistetaan työkalun pitkä ja tehokas käyttöikä. Seuraavat tarkistukset kannattaa tehdä säännöllisesti.

**Varoitus!** Ennen sähkötyökalun huoltoa toimi seuraavasti.

- ◆ Sammuta työkalu ja irrota työkalun virtajohto sähköverkosta.

## Öljytaso

Säiliön öljytaso ei saa laskea alle 1/4.

## Teräketju ja laippa (kuva G)

- ◆ Irrota ketju (6) ja laippa (7) aina muutaman tunnin käytön jälkeen ja ennen varastointia ja puhdista ne huolellisesti.
- ◆ Varmista, että laippa on puhdas ja että siinä ei ole roskia.
- ◆ Kun kokoat sahaa uudelleen, käännä laippaa (7) 180° ja voitele hammaspyöränokka voitelureiän (17) kautta. Näin laipan ketjuohjaimet kuluvat tasaisesti.

## Teräketjun teroittaminen

Jotta työkalu toimisi parhaalla mahdollisella tavalla, teräketjun hampaat on pidettävä terävinä.

Teroituspaketissa on ohjeet tähän. Suosittelemme Black & Deckerin teroituspaketin hankkimista (saatavana Black & Deckerin valtuutetuista huoltoiliikkeistä ja jälleenmyyjiltä).

## Kuluneen teräketjun vaihtaminen

Teräketjuja on saatavana Black & Deckerin valtuutetuista huoltoiliikkeistä ja jälleenmyyjiltä. Käytä aina vain alkuperäisiä varaosia.

## Teräketjun terävyys

Ketjun leikkuuterät tylsyvät heti, jos ne sahattaessa osuvat maahan tai naulaan.

## Teräketjun kireys

Tarkista teräketjun kireys säännöllisesti.

## Mitä tehdä, jos ketjusaha vaatii korjausta

Ketjusaha on valmistettu asianmukaisten turvaohjeiden vaatimusten mukaisesti. Korjauksia saa tehdä vain Black & Deckerin valtuuttama huoltoilike, joka käyttää alkuperäisasiaa. Muutoin koneen käyttäjälle voi aiheutua vaarantilanteita. Suosittelemme tämän käyttöohjeen säilyttämistä turvallisessa paikassa.

## Ympäristö



Erillinen keräys. Tätä tuotetta ei saa hävittää normaalin kotitalousjätteen kanssa..

Kun Black & Decker -laitteesi aikanaan täytyy vaihtaa tai ei kelpaa enää käyttöön, älä hävitä laitetta kotitalousjätteen mukana. Toimita laite kierrätettäväksi.



Käytettyjen tuotteiden ja pakkausmateriaalien erilliskeruun avulla materiaalit voidaan kierrättää ja käyttää uudelleen. Kierrätysmateriaalien käyttö auttaa vähentämään ympäristön saastumista ja uusien raaka-aineiden tarvetta.

## EY-vaatimustenmukaisuusvakuutus

KONEDIREKTIIVI  
ULKOILMAMELUDIREKTIIVI

GK1630T, GK1635T, GK1640T

Black & Decker ilmoittaa, että tuotteet, jotka on kuvattu kohdassa Tekniset tiedot, täyttävät seuraavien direktiivien vaatimukset:

98/37/EY (28. joulukuuta 2009 asti), 2006/42/EY (29. joulukuuta 2009 alkaen), EN 60745-1, EN 60745-2-13

2000/14/EY, Ketjusaha, Liite V

KEMA Quality B.V., Utrechtseweg 310, 6802 ED Arnhem,  
Alankomaat

Ilmoitetun elimen tunnusnumero: 0344

Akustisen tehon taso direktiivin 2000/14/EY (12 artikla, liite III)  
mukaisesti:

$L_{WA}$  (mitattu ääniteho) 103 dB(A) Epätarkkuus = 3 dB(A)

$L_{WA}$  (taattu ääniteho) 103 dB(A) Epätarkkuus = 3 dB(A)

Nämä tuotteet täyttävät myös direktiivin 2004/108/EY  
vaatimukset.

Lisätietoja saa ottamalla yhteyden Black & Deckeriin seuraavassa osoitteessa. Tiedot ovat myös käyttöoppaan takakannessa.

Allekirjoittanut vastaa teknisten tietojen kokoamisesta ja antaa tämän ilmoituksen Black & Deckerin puolesta.

Kevin Hewitt  
Vice-President Global Engineering  
Black & Decker Europe, 210 Bath Road, Slough,  
Berkshire, SL1 3YD  
Iso-Britannia  
01-12-2009

Paikallisissa säädöksissä voidaan määrätä, että kodin sähkötuotteiden keruu tapahtuu kaupunkien jätteidenkäsittelyasemilla tai laitteita myyvissä liikkeissä uuden tuotteen oston yhteydessä.

Kun laitteesi on käytetty loppuun, älä hävitä sitä tavallisten roskien mukana, vaan vie se paikkakuntasi kierrätyskeskukseen tai jätä se valtuutettuun Black & Deckerin huoltoliikkeeseen.

Tiedot valtuutetuista huoltoliikkeistä saa ottamalla yhteyttä paikalliseen Black & Decker -liikkeeseen tässä käyttöohjeessa ilmoitetussa osoitteessa. Valtuutettujen Black & Decker -huoltoliikkeiden yhteystiedot sekä lisätietoja palveluistamme ja takuuehdoista on myös Internetissä osoitteessa: [www.2helpU.com](http://www.2helpU.com)

## Tekniset tiedot

		GK1630T	GK1635T
		Typ. 5	Typ. 5
Laipan pituus	cm	30	35
Jännite	$V_{AC}$	230	230
Ottoteho	W	1600	1600
Ketjun nopeus (kuormittamattomana)	m/s	8	8
Suurin sahauspituus	cm	30	35
Öljysäiliön tilavuus	ml	180	180
Paino	kg	3.7	3.8
Turvaluokitus		II	II

		GK1640T
		Typ. 5
Laipan pituus	cm	40
Jännite	$V_{AC}$	230
Ottoteho	W	1600
Ketjun nopeus (kuormittamattomana)	m/s	8
Suurin sahauspituus	cm	40
Öljysäiliön tilavuus	ml	180
Paino	kg	3.9
Turvaluokitus		II

Äänipaineen taso mitattuna standardin EN 60745 mukaisesti:

äänipaine ( $L_{pA}$ ) 92 dB(A), epätarkkuus (K) 3 dB(A)

äänitehotaso ( $L_{WA}$ ) 103 dB(A), epätarkkuus (K) 3 dB(A)

Tärinän kokonaisarvot (vektorisumma) standardin EN 60745 mukaisesti:

Tärinäpäästäarvo ( $a_w$ ) 5 m/s<sup>2</sup>, epätarkkuus (K) 1,5 m/s<sup>2</sup>

## Takuu

Black & Decker takaa, ettei tuotteessa ole materiaali- ja/tai valmistusvikaa silloin, kun se toimitetaan ostajalle. Takuu on lisäys kuluttajan laillisiin oikeuksiin eikä vaikuta niihin. Takuu on voimassa Euroopan unionin jäsenmaissa ja Euroopan vapaakauppa-alueella (EFTA).

Mikäli Black & Decker -kone hajoaa materiaali- ja/tai valmistusvirheen tai teknisten tietojen epätarkkuuden vuoksi 24 kk:n kuluessa ostopäivästä, Black & Decker korjaa koneen ilman kustannuksia ostajalle tai vaihtaa sen Black & Decker Oy:n valinnan mukaan. Takuu ei kata vikoja, jotka johtuvat seuraavista:

- ◆ Tuotetta on käytetty kaupallisesti, ammattimaisesti tai vuokraukseen.
- ◆ Tuotetta on käytetty tai hoidettu virheellisesti.
- ◆ Tuotetta on vahingoitettu vieraalla esineellä tai aineella tai se on ollut onnettomuudessa.
- ◆ Jos korjauksia on yrittänyt jokin muu kuin Black & Deckerin valtuuttama edustaja tai Black & Deckerin henkilökunta.

Edellytyksenä takuun saamiselle on, että ostaja toimittaa ostokuitin jälleenmyyjälle tai valtuutetulle huoltoliikkeelle.

Tiedot valtuutetuista huoltoliikkeistä saa ottamalla yhteyden Black & Decker Oy:hyn tässä käyttöohjeessa ilmoitetussa osoitteessa. Valtuutettujen Black & Decker -huoltoliikkeiden yhteystiedot sekä lisätietoja palveluistamme ja takuehdoista on myös Internetissä osoitteessa: [www.2helpU.com](http://www.2helpU.com)

Käy verkkosivuillamme osoitteessa [www.blackanddecker.fi](http://www.blackanddecker.fi) ja rekisteröi uusi Black & Decker –tuotteesi. Sivuilta saat myös tietoa uusista tuotteista ja erikoistarjouksista. Katso Black & Decker -tavaramerkin ja tuotevalikoimamme lisätiedot osoitteesta [www.blackanddecker.fi](http://www.blackanddecker.fi)



## Ενδεξιγμένη χρήση

Το αλυσοπρίνο Black & Decker έχει σχεδιαστεί για το κλάδεμα και την κοπή δέντρων και κορμών δέντρων. Αυτό το εργαλείο προορίζεται μόνο για ερασιτεχνική χρήση.

## Οδηγίες ασφαλείας

### Γενικές προειδοποιήσεις ασφαλείας για τα ηλεκτρικά εργαλεία



**Προειδοποίηση!** Διαβάστε όλες τις προειδοποιήσεις ασφαλείας και όλες τις οδηγίες. Η μη τήρηση των παρακάτω προειδοποιήσεων και οδηγιών μπορεί να προκαλέσει ηλεκτροπληξία, πυρκαγιά ή/και σοβαρούς τραυματισμούς.

Φυλάξτε όλες τις προειδοποιήσεις και τις οδηγίες για μελλοντική αναφορά. Ο χαρακτηρισμός "ηλεκτρικό εργαλείο" που χρησιμοποιείται σε όλες τις παρακάτω προειδοποιήσεις αφορά είτε το εργαλείο που συνδέεται στην πρίζα (με καλώδιο) είτε το εργαλείο που λειτουργεί με μπαταρία (χωρίς καλώδιο).

#### 1. Ασφάλεια χώρου εργασίας

- α. Διατηρείτε το χώρο που εργάζεστε καθαρό και καλά φωτισμένο. Η απάξια στο χώρο εργασίας και τα σημεία χωρίς καλό φωτισμό μπορεί να οδηγήσουν σε ατυχήματα.
- β. Μη χρησιμοποιείτε ηλεκτρικά εργαλεία σε περιβάλλον όπου υπάρχει κίνδυνος έκρηξης, όπως παρουσία εύφλεκτων υγρών, αερίων ή σκόνης. Τα ηλεκτρικά εργαλεία μπορεί να δημιουργήσουν σπινθηρισμό ο οποίος μπορεί να αναφλέξει τη σκόνη ή τις αναθυμιάσεις.
- γ. Όταν χρησιμοποιείτε ένα ηλεκτρικό εργαλείο, κρατάτε τα παιδιά και άλλα άτομα μακριά. Εάν αποσπαστεί η προσοχή σας μπορεί να χάσετε τον έλεγχο.

#### 2. Ασφαλής χρήση ηλεκτρικού ρεύματος

- α. Το φως του καλωδίου του ηλεκτρικού εργαλείου πρέπει να ταιριάζει στην αντίστοιχη πρίζα. Δεν επιτρέπεται με κανέναν τρόπο η μετασκευή του φως. Μη χρησιμοποιείτε προσαρμοστικά φως με γειωμένα ηλεκτρικά εργαλεία. Τα φως που δεν έχουν υποστεί τροποποιήσεις και οι κατάλληλες πρίζες μειώνουν τον κίνδυνο ηλεκτροπληξίας.
- β. Αποφύγετε την επαφή του σώματός σας με γειωμένες επιφάνειες, όπως σωλήνες, καλοριφέρ, κουζίνες και ψυγεία. Όταν το σώμα σας είναι γειωμένο, αυξάνεται ο κίνδυνος ηλεκτροπληξίας.
- γ. Μη εκθέτετε το ηλεκτρικό εργαλείο στη βροχή ή στην υγρασία. Η εισχώρηση νερού στο ηλεκτρικό εργαλείο αυξάνει τον κίνδυνο ηλεκτροπληξίας.

- δ. Μην κακομεταχειρίζεστε το καλώδιο. Μη χρησιμοποιείτε ποτέ το καλώδιο για να μεταφέρετε το εργαλείο, να το τραβήξετε ή να το αποσυνδέσετε από την πρίζα. Κρατάτε το καλώδιο μακριά από θερμότητα, λάδια, αιχμηρά άκρα ή κινούμενα εξαρτήματα. Τυχόν χαλασμένα ή μπερδεμένα καλώδια αυξάνουν τον κίνδυνο ηλεκτροπληξίας.
- ε. Όταν χρησιμοποιείτε το ηλεκτρικό εργαλείο σε εξωτερικούς χώρους, να χρησιμοποιείτε πάντοτε καλώδια προέκτασης κατάλληλα για χρήση σε εξωτερικούς χώρους. Η χρήση προεκτάσεων κατάλληλων για εργασία σε εξωτερικούς χώρους μειώνει τον κίνδυνο ηλεκτροπληξίας.
- στ. Εάν είναι αναπόφευκτη η χρήση ενός ηλεκτρικού εργαλείου σε συνθήκες υγρασίας, χρησιμοποιήστε μια Διάταξη Προστασίας Ρεύματος Διαρροής (RCD). Η χρήση διάταξης RCD μειώνει τον κίνδυνο ηλεκτροπληξίας.

#### 3. Ασφάλεια προσώπων

- α. Όταν χρησιμοποιείτε το ηλεκτρικό εργαλείο, να είστε προσεκτικοί, να δίνετε προσοχή στην εργασία που κάνετε και να επιστρατεύετε την κοινή λογική. Μη χρησιμοποιείτε το ηλεκτρικό εργαλείο όταν είστε κουρασμένοι ή όταν βρίσκεστε υπό την επήρεια ναρκωτικών, οινοπνεύματος ή φαρμάκων. Μια στιγμή απροσεξία κατά το χειρισμό του ηλεκτρικού εργαλείου μπορεί να οδηγήσει σε σοβαρούς τραυματισμούς.
- β. Να χρησιμοποιείτε εξοπλισμό προσωπικής προστασίας. Να φοράτε πάντα προστατευτικά γυαλιά. Ο κίνδυνος τραυματισμών μειώνεται όταν χρησιμοποιείτε εξοπλισμό προστασίας, όπως μάσκα προστασίας από σκόνη, αντιολισθητικά παπούτσια ασφαλείας, κράνη ή ιαπωνίτιδες, ανάλογα με τις συνθήκες εργασίας.
- γ. Αποφύγετε την ακούσια ενεργοποίηση. Βεβαιωθείτε ότι ο διακόπτης λειτουργίας βρίσκεται στη θέση "OFF" πριν συνδέσετε το εργαλείο στην πρίζα ή/και στην μπαταρία και πριν το σηκώσετε ή το μεταφέρετε. Η μεταφορά ηλεκτρικών εργαλείων με το δάχτυλό σας επάνω στο διακόπτη ή η σύνδεση στην πρίζα ηλεκτρικών εργαλείων με το διακόπτη στη θέση ενεργοποίησης, ενέχει κινδύνους πρόκλησης ατυχημάτων.
- δ. Πριν θέσετε το ηλεκτρικό εργαλείο σε λειτουργία, αφαιρέστε τυχόν εργαλεία ή κλειδιά ρύθμισης. Εάν αφήσετε ένα εργαλείο ή κλειδί πάνω σε κάποιο περιστρεφόμενο εξάρτημα ενός ηλεκτρικού εργαλείου μπορεί να προκληθούν τραυματισμοί.
- ε. Μην τεντώνεστε. Φροντίστε πάντοτε να έχετε την κατάλληλη στάση και να διατηρείτε την ισορροπία σας. Αυτό σας επιτρέπει τον καλύτερο έλεγχο του ηλεκτρικού εργαλείου σε περιπτώσεις απροσδόκων καταστάσεων.

στ. Φοράτε κατάλληλη ενδυμασία εργασίας. Μη φοράτε φαρδιά ρούχα ή κοσμήματα. Κρατάτε τα μαλλιά, τα ενδύματα και τα γάντια σας μακριά από τα κινούμενα εξαρτήματα. Τα φαρδιά ρούχα, τα κοσμήματα και τα μακριά μαλλιά μπορεί να εμπλακούν στα κινούμενα εξαρτήματα.

ζ. Αν παρέχονται εξαρτήματα σύνδεσης με διατάξεις αφαίρεσης και συλλογής της σκόνης, βεβαιωθείτε ότι συνδέονται και χρησιμοποιούνται σωστά. Η χρήση συλλογής σκόνης μειώνει τους κινδύνους που σχετίζονται με τη σκόνη.

4. Χρήση και συντήρηση του ηλεκτρικού εργαλείου

α. Μην υπερφορτώνετε το ηλεκτρικό εργαλείο.

Χρησιμοποιείτε για την εκάστοτε εργασία σας το ηλεκτρικό εργαλείο που προορίζεται γι' αυτήν. Με το κατάλληλο ηλεκτρικό εργαλείο, εργάζεστε καλύτερα και ασφαλέστερα στην ονομαστική περιοχή ισχύος του.

β. Μη χρησιμοποιήσετε ποτέ ένα ηλεκτρικό εργαλείο του οποίου ο διακόπτης λειτουργίας είναι χαλασμένος.

Ένα ηλεκτρικό εργαλείο του οποίου η λειτουργία δεν μπορεί να ελεγχθεί με το διακόπτη είναι επικίνδυνο και πρέπει να επισκευαστεί.

γ. Βγάλετε το φως από την πρίζα ή/και την μπαταρία από το ηλεκτρικό εργαλείο, πριν διεξάγετε οποιαδήποτε ρύθμιση, αλλαγή εξαρτήματος ή όταν πρόκειται να αποθηκεύσετε τα ηλεκτρικά εργαλεία. Αυτά τα προληπτικά μέτρα ασφαλείας μειώνουν τον κίνδυνο να τεθεί το εργαλείο ακούσια σε λειτουργία.

δ. Να φυλάτε τα ηλεκτρικά εργαλεία που δε χρησιμοποιείτε μακριά από παιδιά. Μην αφήνετε άτομα που δεν είναι εξοικειωμένα με το ηλεκτρικό εργαλείο ή που δεν έχουν διαβάσει αυτές τις οδηγίες χρήσης να το χρησιμοποιήσουν. Τα ηλεκτρικά εργαλεία είναι επικίνδυνα όταν χρησιμοποιούνται από άτομα χωρίς κατάλληλη εκπαίδευση.

ε. Να συντηρείτε τα ηλεκτρικά εργαλεία. Ελέγξτε εάν τα κινούμενα εξαρτήματα είναι σωστά ευθυγραμμισμένα ή αν έχουν μπλοκάρει, εάν έχουν σπάσει κομμάτια και εάν πληρούνται όλες οι υπόλοιπες προϋποθέσεις που ενδεχομένως να επηρεάσουν τη σωστή λειτουργία του εργαλείου. Δώστε τυχόν χαλασμένα εξαρτήματα του ηλεκτρικού εργαλείου για επισκευή πριν το χρησιμοποιήσετε πάλι. Η ανεπαρκής συντήρηση των ηλεκτρικών εργαλείων αποτελεί αιτία πολλών ατυχημάτων.

στ. Διατηρείτε τα κοπτικά εργαλεία κοφτερά και καθαρά.

Τα κοπτικά εργαλεία με αιχμηρά κοπτικά άκρα που συντηρούνται σωστά έχουν λιγότερες πιθανότητες να μπλοκάρουν και ελέγχονται ευκολότερα.

ζ. Να χρησιμοποιείτε τα ηλεκτρικά εργαλεία, τα εξαρτήματα και τα άκρα των εργαλείων κλπ σύμφωνα

με τις παρούσες οδηγίες, λαμβάνοντας υπόψη σας τις συνθήκες εργασίας και την εργασία που θέλετε να εκτελέσετε. Η χρήση του ηλεκτρικού εργαλείου για εργασίες πέρα από τις προβλεπόμενες μπορεί να οδηγήσει σε επικίνδυνες καταστάσεις.

5. Σέρβις

α. Το σέρβις του ηλεκτρικού σας εργαλείου πρέπει να αναλαμβάνει έμπειρος τεχνικός που θα χρησιμοποιεί μόνο γνήσια ανταλλακτικά. Έτσι εξασφαλίζεται η διατήρηση της ασφάλειας του ηλεκτρικού εργαλείου.

Συμπληρωματικές προειδοποιήσεις ασφαλείας για τα ηλεκτρικά εργαλεία



Προειδοποίηση! Συμπληρωματικές προειδοποιήσεις ασφαλείας για τα αλυσοπρίονα

- ◆ Κρατάτε όλα τα μέρη του σώματος μακριά από την αλυσίδα όταν το αλυσοπρίονο βρίσκεται σε λειτουργία. Πριν θέσετε σε λειτουργία το αλυσοπρίονο, βεβαιωθείτε ότι η αλυσίδα του πριονιού δε βρίσκεται σε επαφή με οποιοδήποτε αντικείμενο. Μια στιγμήα απροσεξία κατά το χειρισμό του αλυσοπρίονου μπορεί να οδηγήσει στην εμπλοκή του εργαλείου με τα ρούχα ή το σώμα σας.
- ◆ Πάντα να κρατάτε το αλυσοπρίονο με το δεξί χέρι στην πίσω χειρολαβή και το αριστερό σας στην μπροστινή χειρολαβή. Ποτέ δεν πρέπει να κρατάτε το αλυσοπρίονο με αντίθετη διάταξη χεριών γιατί αυξάνεται ο κίνδυνος προσωπικού τραυματισμού.
- ◆ Όταν χρησιμοποιείτε αυτό το εργαλείο, να φοράτε προστατευτικά γυαλιά και ωτοασπίδες. Συνιστάται η χρήση περαιτέρω προστατευτικού εξοπλισμού για το κεφάλι, τα χέρια και τα πόδια. Τα κατάλληλα προστατευτικά ρούχα μειώνουν τον κίνδυνο προσωπικού τραυματισμού από τα εκτοξευόμενα θραύσματα ή την τυχαία επαφή με την αλυσίδα.
- ◆ Μη λειτουργείτε το αλυσοπρίονο ανεβασμένος σε δέντρο. Η χρήση του αλυσοπρίονου ενώ βρίσκεστε πάνω σε δέντρο μπορεί να οδηγήσει σε προσωπικό τραυματισμό.
- ◆ Φροντίζετε να έχετε πάντοτε την κατάλληλη στάση και να λειτουργείτε το αλυσοπρίονο μόνο όταν στέκεστε σε σταθερή, ασφαλή και επίπεδη επιφάνεια. Οι ολισθηρές ή ασταθείς επιφάνειες όπως οι σκάλες μπορούν να προκαλέσουν απώλεια της ισορροπίας ή του ελέγχου του αλυσοπρίονου.
- ◆ Κατά την κοπή ενός κλαδιού που έχει καμφθεί, προσέξτε το ενδεχόμενο επαναφοράς του. Όταν πάψει να ασκείται πίεση στις ίνες του ξύλου, το κλαδί που βρισκόταν σε κάμψη ενδέχεται να κτυπήσει το χειριστή ή/

και το αλυσοπρίονο, με αποτέλεσμα την απώλεια του ελέγχου του.

- ◆ **Να είστε ιδιαίτερα προσεκτικοί όταν κόβετε θάμνους και δενδρύλλια.** Τα λεπτά υλικά μπορεί να πιαστούν στην αλυσίδα και να τιναχτούν προς εσάς ή να σας κάνουν να χάσετε την ισορροπία σας.
- ◆ **Να μεταφέρετε το αλυσοπρίονο από την μπροστινή λαβή με την αλυσίδα σταματημένη και σε απόσταση από το σώμα σας.** Όταν αποθηκεύετε ή μετακινείτε το αλυσοπρίονο τοποθετείτε πάντα το κάλυμμα της μπάρας οδηγού. Ο σωστός χειρισμός του αλυσοπρίονου μειώνει την πιθανότητα τυχαίας επαφής με την κινούμενη αλυσίδα.
- ◆ **Ακολουθήστε τις σχετικές οδηγίες σε ό,τι αφορά τη λίπανση, το τέντωμα της αλυσίδας και την αλλαγή των εξαρτημάτων.** Όταν μια αλυσίδα δεν έχει τανυστεί ή λιπανθεί σωστά, κινδυνεύει να σπάσει ή να αυξήσει την πιθανότητα λακτίσματος (κλοστήματος)
- ◆ **Φροντίστε οι λαβές να είναι στεγνές, καθαρές και χωρίς λάδια ή γράσα.** Οι λερωμένες με γράσο ή λάδι λαβές γλιστρούν, με αποτέλεσμα την απώλεια του ελέγχου.
- ◆ **Το εργαλείο προορίζεται αποκλειστικά για την κοπή ξύλου. Μη χρησιμοποιείτε το αλυσοπρίονο για εργασίες για τις οποίες δεν προορίζεται. Για παράδειγμα: μη χρησιμοποιείτε το αλυσοπρίονο για κοπή πλαστικών, τοιχοποιίας ή μη-ξύλινων υλικών κατασκευής.** Η χρήση του αλυσοπρίονου για εργασίες πέρα από τις προβλεπόμενες εργασίες μπορεί να δημιουργήσει επικίνδυνες καταστάσεις.
- ◆ **Τοποθετήστε το καλώδιο τροφοδοσίας έτσι ώστε να μην πιαστεί σε κλαδιά ή αλλού κατά την κοπή.**
- ◆ **Ο ακιδωτός προφυλακτήρας (16) μπορεί να καταστεί κοφτερός κατά τη διάρκεια ζωής του προϊόντος. Χειριστέτε με προσοχή.**
- ◆ **Κατά το χειρισμό του προϊόντος η ράβδος της αλυσίδας μπορεί να θερμανθεί, χειριστείτε με προσοχή.**

### Αιτίες και αποφυγή κλοστήματος

Μπορεί να παρατηρηθεί κλότσημα όταν η μύτη ή το άκρο της μπάρας οδηγού έρθει σε επαφή με ένα αντικείμενο ή όταν το ξύλο περισφίξει και μαγκώσει την αλυσίδα μέσα στην τομή. Η επαφή του άκρου με ένα αντικείμενο μπορεί σε ορισμένες περιπτώσεις να προκαλέσει απότομη αντίστροφη κίνηση, κλοτσώντας την μπάρα οδηγού προς τα πάνω και προς τα πίσω προς το μέρος του χειριστή. Το μάγκωμα της αλυσίδας του εργαλείου κατά μήκος του πάνω μέρους της μπάρας οδηγού μπορεί να στρώξει γρήγορα προς τα πίσω την μπάρα οδήγησης προς το μέρος του χειριστή. Οποιαδήποτε από αυτές τις αντιδράσεις μπορεί να σας κάνει να χάσετε τον έλεγχο του αλυσοπρίονου με κίνδυνο σοβαρού

τραυματισμού. Μη βασίζεστε αποκλειστικά στις διατάξεις ασφαλείας που διαθέτει το αλυσοπρίονό σας. Ως χρήστης αλυσοπρίονου, θα πρέπει να παίρνετε ορισμένες προφυλάξεις για να αποφεύγετε τα ατυχήματα και τους τραυματισμούς κατά τη διάρκεια των εργασιών κοπής που εκτελείτε.

Το κλότσημα αποτελεί συνέπεια κακής χρήσης του εργαλείου ή/και εσφαλμένων διαδικασιών ή συνθηκών λειτουργίας και μπορεί να αποφευχθεί με κατάλληλα προληπτικά μέτρα, όπως αυτά που περιγράφονται παρακάτω:

- ◆ **Κρατάτε γερά το αλυσοπρίονο, με τους αντίχειρες και τα δάχτυλα να περικλείουν την λαβή του αλυσοπρίονου. Να κρατάτε το αλυσοπρίονο και με τα δυο σας χέρια και να δίνετε στο σώμα και στους βραχιόνες σας μια θέση, στην οποία θα μπορέσετε να αντιμετωπίσετε τυχόν αντιδραστικές δυνάμεις (κλοστήματα).** Όταν έχουν ληφθεί κατάλληλα προληπτικά μέτρα, ο χειριστής μπορεί να αντιμετωπίσει με επιτυχία το κλότσημα. Μην αφήνετε ελεύθερο το αλυσοπρίονο.
- ◆ **Μην τεντώνεστε και μην κόβετε πάνω από το ύψος του ώμου σας.** Αυτό βοηθάει στην αποφυγή της ακούσιας επαφής του άκρου με άλλο αντικείμενο και επιτρέπει τον καλύτερο έλεγχο του αλυσοπρίονου σε απρόοπτες καταστάσεις.
- ◆ **Χρησιμοποιείτε αποκλειστικά τις ανταλλακτικές ράβδους και αλυσίδες που καθορίζονται από τον κατασκευαστή.** Ακατάλληλες ανταλλακτικές μπάρες οδηγού και αλυσίδες μπορεί να προκαλέσουν το σπάσιμο της αλυσίδας ή/και το κλότσημα του εργαλείου.
- ◆ **Να ακολουθείτε πάντα τις οδηγίες του κατασκευαστή σχετικά με το ακόνισμα και τη συντήρηση της αλυσίδας του εργαλείου.** Η μείωση του ύψους του ρυθμιστή βάθους κοπής μπορεί να οδηγήσει σε αύξηση του κλοστήματος.
- ◆ **Αν χτυπήσετε μέταλλο, τσιμέντο ή άλλο σκληρό υλικό που βρίσκεται κοντά στο ξύλο ή χλωμένο μέσα στο ξύλο μπορεί να προκαλέσει κλότσημα.** ◆ **Αν η αλυσίδα δεν είναι αιχμηρή ή αν είναι χαλαρή μπορεί να προκαλέσει κλότσημα.**
- ◆ **Μην προσπαθήσετε να το εισάγετε σε παλιότερη κοπή.** Καθώς αυτό θα μπορούσε να προκαλέσει κλότσημα. Κάντε μια νέα κοπή κάθε φορά.

### Συστάσεις ασφαλείας για το αλυσοπρίονο

- ◆ **Συνιστάται σε όσους χρησιμοποιούν αλυσοπρίονο για πρώτη φορά να λαμβάνουν πρακτικές οδηγίες για τη χρήση και τον προστατευτικό εξοπλισμό από έναν πεπειραμένο χρήστη.** Θα πρέπει να γίνεται εξάσκηση στην κοπή κορμών πάνω σε βαλαέτο ή ικρίωμα.
- ◆ **Πριν από τη χρήση, να βεβαιώνεστε πάντα ότι το φρένο κατά του κλοστήματος λειτουργεί σωστά.**

- ♦ Όταν μετακινείτε το αλυσοπρίονο, να βεβαιώνεστε ότι το φρένο είναι ενεργοποιημένο και ότι η αλυσίδα είναι στραμμένη προς τα πίσω.
- ♦ Διατηρείτε το αλυσοπρίονό σας σε καλή κατάσταση όταν δεν το χρησιμοποιείτε. Όταν φυλάσσετε το αλυσοπρίονό σας για μεγάλο χρονικό διάστημα πρέπει να αφαιρείτε την αλυσίδα και την μπάρα οδήγησης και να τα φυλάσσετε μέσα σε λάδι. Φυλάσσετε όλα τα εξαρτήματα του αλυσοπρίονου σε ένα ξηρό, ασφαλές μέρος μακριά από τα παιδιά.
- ♦ Συνιστάται να στραγγίσετε το δοχείο λαδιού πριν από τη φύλαξη.
- ♦ Βεβαιωθείτε ότι πατάτε καλά και σταθερά και προβλέψτε ένα δρόμο διαφυγής από το δέντρο ή τα κλαδιά που θα πέσουν.
- ♦ Χρησιμοποιήστε σφήνες για να ελέγξετε καλύτερα την κοπή και να αποφύγετε την εμπλοκή της αλυσίδας και της μπάρας οδηγού μέσα στην τομή.
- ♦ Φροντίδα της αλυσίδας του πριονιού. Διατηρείτε την αλυσίδα αιχμηρή και σφιχτή πάνω στην μπάρα οδηγού. Βεβαιωθείτε ότι η αλυσίδα και η μπάρα οδηγού είναι καθαρές και καλά λαδωμένες. Διατηρείτε τις λαβές στεγνές, καθαρές, χωρίς λάδι και γράσο.

### Μην κόβετε

- ♦ Ετοιμη ξυλεία.
- ♦ Το έδαφος.
- ♦ Φράχτες από συρματόπλεγμα, καρφιά κτλ.

### Δόνηση

Η δηλωμένη τιμή εκπομπής δόνησης που αναφέρεται στα τεχνικά χαρακτηριστικά και τη δήλωση συμμόρφωσης έχει μετρηθεί σύμφωνα με μια τυποποιημένη μέθοδο δοκιμής που παρέχεται από το πρότυπο EN 60745 και μπορεί να χρησιμοποιηθεί για τη σύγκριση ενός εργαλείου με ένα άλλο. Η δηλωμένη τιμή εκπομπής δόνησης μπορεί επίσης να χρησιμοποιηθεί σε έναν προκαταρκτικό προσδιορισμό της έκθεσης.

**Προειδοποίηση!** Η τιμή εκπομπής δόνησης κατά την πραγματική χρήση του ηλεκτρικού εργαλείου μπορεί να διαφέρει από τη δηλωμένη τιμή, ανάλογα με το τρόπο που χρησιμοποιείται το εργαλείο. Η στάθμη δόνησης μπορεί να αυξηθεί πάνω από τη στάθμη που έχει δηλωθεί.

Κατά τον προσδιορισμό της έκθεσης σε δόνηση για τον καθορισμό των απαιτούμενων μέτρων ασφαλείας σύμφωνα με την οδηγία 2002/44/EK για την προστασία προσώπων που χρησιμοποιούν συχνά ηλεκτρικά εργαλεία στην εργασία τους, μια προσεγγιστική εκτίμηση της έκθεσης σε δόνηση πρέπει να λαμβάνει υπόψη τις πραγματικές συνθήκες χρήσης και τον τρόπο χρήσης του εργαλείου, συμπεριλαμβανομένων

και όλων των επιμέρους τμημάτων του κύκλου εργασίας, όπως, πόσες φορές τέθηκε το εργαλείο εκτός λειτουργίας, τότε είναι σε λειτουργία χωρίς φορτίο και επιπρόσθετα ο χρόνος πίεσης της σκανδάλης.

### Ασφαλής χρήση ηλεκτρικού ρεύματος



Αυτό το εργαλείο διαθέτει διπλή μόνωση, επομένως δεν απαιτείται καλώδιο γείωσης. Ελέγχετε πάντοτε αν η τάση τροφοδοσίας αντιστοιχεί σε αυτήν που αναγράφεται στην πινακίδα τεχνικών χαρακτηριστικών.

- ♦ Αν το καλώδιο ρεύματος έχει υποστεί φθορά, η αντικατάστασή του πρέπει να γίνει από τον κατασκευαστή ή από ένα εξουσιοδοτημένο κέντρο της Black & Decker, ώστε να μην αποτελέσει κίνδυνο.

### Χρήση καλωδίου προέκτασης

- ♦ Χρησιμοποιείτε πάντα εγκεκριμένα καλώδια προέκτασης, κατάλληλα για την ισχύ εισόδου αυτού του εργαλείου (δείτε τεχνικά χαρακτηριστικά). Το καλώδιο προέκτασης πρέπει να είναι κατάλληλο για χρήση σε εξωτερικούς χώρους και να φέρει την αντίστοιχη σήμανση. Μπορείτε να χρησιμοποιήσετε ένα καλώδιο προέκτασης 1,5 mm<sup>2</sup> H07RN-F 2 X μήκους έως 30 m, χωρίς απώλειες απόδοσης του εργαλείου. Πριν από τη χρήση, ελέγξτε προσεκτικά το καλώδιο προέκτασης για σημάδια ζημιάς, φθοράς ή παλαιώσης. Αντικαταστήστε το καλώδιο προέκτασης, αν παρουσιάζει ζημιά ή ελάττωμα. Όταν χρησιμοποιείτε καρούλι καλωδίου, πάντα να ξετυλίγετε το καλώδιο εντελώς.

### Λάβετε τις κατάλληλες προφυλάξεις κατά της ηλεκτροπληξίας

- ♦ Αποφύγετε τη σωματική επαφή με γειωμένες ή συνδεδεμένες με το έδαφος επιφάνειες (π.χ. μεταλλικά κιγκλιδώματα, λάμπες κ.λπ.). Η ασφάλεια έναντι ηλεκτροπληξίας μπορεί να βελτιωθεί ακόμα περισσότερο αν χρησιμοποιηθεί Διάταξη Προστασίας Ρεύματος Διαρροής (RCD) υψηλής ευαισθησίας (30 mA / 30 mS).



**Προειδοποίηση!** Η χρήση μιας διάταξης RCD ή μιας άλλης μονάδας διακοπής κυκλώματος δεν απαλλάσσει το χρήστη του αλυσοπρίονου από την τήρηση των οδηγιών ασφαλείας και των ασφαλών πρακτικών εργασιών που παρέχονται σε αυτό το εγχειρίδιο χρήσης.

### Πρόσθετες οδηγίες ασφαλείας

- ♦ Αυτό το εργαλείο δεν προορίζεται για χρήση από άτομα (στα οποία περιλαμβάνονται και τα παιδιά) με μειωμένες

φυσικές, αντιληπτικές ή διανοητικές ικανότητες ή άτομα χωρίς εμπειρία και γνώσεις, παρά μόνο εφόσον επιτηρούνται ή τους έχουν δοθεί οδηγίες σχετικά με τη χρήση του εργαλείου από άτομο υπεύθυνο για την ασφάλειά τους.

- ♦ Τα παιδιά πρέπει να επιτηρούνται για να διασφαλίζεται ότι δεν παίζουν με το εργαλείο.
- ♦ Βεβαιωθείτε πως υπάρχει κάποιος κοντά (αλλά σε απόσταση ασφαλείας) για την περίπτωση ατυχήματος.
- ♦ Αν για οποιονδήποτε λόγο πρέπει να ακουμπήσετε την αλυσίδα, βεβαιωθείτε ότι το αλυσοπρίονο είναι αποσυνδεδεμένο από την παροχή ρεύματος.
- ♦ Ο θόρυβος που προκαλείται από το προϊόν αυτό μπορεί να ξεπεράσει τα 85 dB(A).

Επομένως σας συνιστούμε να λαμβάνετε τα απαραίτητα μέτρα για την προστασία της ακοής σας.



Να φοράτε πάντα προστατευτικά γυαλιά και ωτασπίδες



Μην εκθέτετε το εργαλείο στη βροχή ή σε υψηλή υγρασία.



Να βγάξετε πάντα το βύσμα από την πρίζα πριν ελέγξετε ένα φθαρμένο καλώδιο. Προσέξτε να μην χρησιμοποιήσετε το αλυσοπρίονο αν το καλώδιο έχει φθαρεί ή καταστραφεί.



Εγγυημένη ηχητική ισχύς κατά 2000/14/EK..

### Αναπόφευκτοι κίνδυνοι.

Μπορεί να προκληθούν επιπρόσθετοι αναπόφευκτοι κίνδυνοι όταν χρησιμοποιείτε το εργαλείο οι οποίοι μπορεί να μη συμπεριλαμβάνονται στις προειδοποιήσεις ασφαλείας που εσωκλείονται. Αυτοί οι κίνδυνοι μπορεί να προκληθούν από κακή χρήση, παρατεταμένη χρήση κτλ.

Ακόμα και με την τήρηση των σχετικών κανονισμών ασφαλείας και τη χρήση μέσων προστασίας, ορισμένοι κίνδυνοι δεν είναι δυνατό να εξαλειφθούν. Αυτοί περιλαμβάνουν:

- ♦ Τραυματισμούς από το άγγιγμα των περιστρεφόμενων/κινούμενων εξαρτημάτων.
- ♦ Τραυματισμούς από αλλαγή οποιωνδήποτε εξαρτημάτων, λεπίδων ή αξεσουάρ.
- ♦ Τραυματισμούς από παρατεταμένη χρήση του εργαλείου. Όταν χρησιμοποιείτε οποιοδήποτε εργαλείο για παρατεταμένες χρονικές περιόδους βεβαιωθείτε ότι κάνετε τακτικά διαλείμματα.
- ♦ Προβλήματα ακοής.
- ♦ Κίνδυνοι στην υγεία που προκαλούνται από την εισπνοή σκόνης όταν χρησιμοποιείτε το εργαλείο (παραδείγματα:- όταν επεξεργάζεστε ξύλο, ειδικά δρυς, οξιά και MDF.)



Για να εξασφαλίσετε τη συνεχή α ασφαλή λειτουργία, ελέγχετε την τάνση της αλυσίδας όπως περιγράφεται σε αυτό το εγχειρίδιο μετά από κάθε 10 λεπτά χρήσης, και ρυθμίζετε την ξανά σε διάκενο 3 mm όπως απαιτείται.

### Χαρακτηριστικά

1. Διακόπτης on/off
2. Διακόπτης απασφάλισης
3. Πώμα λαδιού
4. Πρόσθιος προφυλακτήρας/φρένο αλυσίδας
5. Δείκτης στάθμης λαδιού
6. Αλυσίδα
7. Μπάρα οδηγού
8. Θήκη αλυσίδας
9. Μπουτόν ελέγχου
10. Διάταξη καλύμματος αλυσίδας

### Ετικέτες στο εργαλείο

Τα ακόλουθα εικονογράμματα εμφανίζονται στο εργαλείο:



**Προειδοποίηση!** Για να μειωθεί ο κίνδυνος τραυματισμού, ο χρήστης πρέπει να διαβάσει το εγχειρίδιο οδηγιών.



**Προειδοποίηση!** Να φοράτε πάντα προστατευτικά γάντια όταν πραγματοποιείτε εργασίες στο αλυσοπρίονο.



**Προειδοποίηση!** Πριν πραγματοποιήσετε οποιοδήποτε συντήρηση σε ηλεκτρικά εργαλεία, απενεργοποιήστε και βγάλτε το εργαλείο από την πρίζα.

## Λάδιμα της αλυσίδας

Πρέπει να το κάνετε όποτε χρησιμοποιείτε μια καινούργια αλυσίδα (6) για πρώτη φορά. Πάρτε την καινούργια αλυσίδα (6) και μουσκέψτε την σε λάδι για αλυσίδες για τουλάχιστον μια ώρα πριν τη χρησιμοποιήσετε. Χρησιμοποιείτε λάδι για αλυσίδες Black & Decker.

Συνιστάται να χρησιμοποιείτε μόνο λάδι Black & Decker καθ' όλη τη διάρκεια ζωής του αλυσοπριονίου σας καθώς μίγματα διαφορετικών λαδιών μπορεί να μειώσουν την ποιότητα του λαδιού, με αποτέλεσμα τη σοβαρή μείωση της διάρκειας ζωής της αλυσίδας και τη δημιουργία πρόσθετων κινδύνων.

Ποτέ μη χρησιμοποιείτε χρησιμοποιημένα λάδια, παχύ λάδι ή πολύ λεπτόρρευστο λάδι ραπτομηχανής. Μπορεί να προκαλέσουν βλάβη στο αλυσοπριόνι σας.

## Τοποθέτηση της μπάρας οδηγού και της αλυσίδας. (εικ. Α - Ε)

- ◆ Τοποθετήστε το αλυσοπριόνιο πάνω σε σταθερή επιφάνεια.
- ◆ Ρυθμίστε τον προφυλακτήρα/φρένο αλυσίδας στην μπροστινή θέση (εικ. D).
- ◆ Χ Χαλαρώστε πλήρως το μπουτόν ελέγχου (9) (εικ. Α).
- ◆ Αφαιρέστε το κάλυμμα της αλυσίδας (10).
- ◆ Τοποθετήστε την αλυσίδα (6) πάνω στην μπάρα οδηγού (7) και βεβαιωθείτε πως οι λεπίδες της αλυσίδας στο πάνω τμήμα της μπάρας οδηγού (7) είναι στραμμένες προς τα εμπρός (εικ. Β).
- ◆ Οδηγήστε την αλυσίδα (6) γύρω από την μπάρα οδηγού (7) και τραβήξτε την για να δημιουργήσετε μια θηλιά από τη μία πλευρά στο πίσω μέρος της μπάρας οδηγού (7).
- ◆ Οδηγήστε την αλυσίδα (6) γύρω από την οδόντωση κίνησης (12). Τοποθετήστε την μπάρα οδηγού (7) στα πιρτσίνια τοποθέτησης της μπάρας (13) (εικ. Ε).

**Προειδοποίηση!** Ελέγξτε ότι το συγκρότημα προφυλακτήρα/φρένο αλυσίδας (4) έχει ρυθμιστεί στην (εμπρός) θέση πριν την επανατοποθέτηση (εικ. C).

- ◆ Πριν τοποθετήσετε το συγκρότημα καλύμματος αλυσίδας ελέγξτε ότι το έκκεντρο (11) (εικ. Β) βρίσκεται στη σωστή θέση. Εάν χρειάζεται, πιέστε μέσα και περιστρέψτε το μπουτόν ελέγχου (9) δεξιόστροφα για να περιστραφεί το έκκεντρο στη σωστή θέση.
- ◆ Τοποθετήστε το κάλυμμα της αλυσίδας τοποθετώντας το μπουτόν και χρησιμοποιώντας το μπουτόν ελέγχου (9) για να σφίξετε το κάλυμμα της αλυσίδας με τα δάχτυλά σας.
- ◆ Για να τεντώσετε την αλυσίδα, χαλαρώστε το μπουτόν ελέγχου κατά μια πλήρη περιστροφή, πιέστε μέσα δυνατά και περιστρέψτε δεξιόστροφα. Καθώς η μπάρα μετακινείται προς τα εμπρός βεβαιωθείτε ότι οι κρίκοι της αλυσίδας τροφοδοτούνται στην μπάρα οδηγού.
- ◆ Αφήστε το μπουτόν ελέγχου να επανέλθει στην "έξω" θέση υπό την επίδραση του ελατηρίου και περιστρέψτε

περαιτέρω δεξιόστροφα για να σφίξετε την μπάρα οδηγού. Μην τεντώνετε.

- ◆ Ελέγξτε την τάνυση της αλυσίδας όπως περιγράφεται παρακάτω.

## Έλεγχος και ρύθμιση της τάνυσης της αλυσίδας (εικ. G)

Να ελέγχετε την τάνυση της αλυσίδας πριν από τη χρήση και μετά από κάθε 10 λεπτά χρήσης.

- ◆ Αποσυνδέστε το εργαλείο από την πρίζα.
- ◆ Τραβήξτε ελαφρά την αλυσίδα (6) όπως υποδεικνύεται (εικ. G). Η τάνυση έχει ρυθμιστεί σωστά όταν η αλυσίδα (6) επανέρχεται αμέσως στη θέση της, αφού τραβηχτεί σε απόσταση 3 mm από την μπάρα οδηγού (7). Δεν πρέπει να υπάρχει «κοιλιά» μεταξύ της μπάρας οδηγού (7) και της αλυσίδας (6) στην κάτω πλευρά.

**Σημείωση:** Μην τεντώσετε υπερβολικά την αλυσίδα, καθώς αυτό θα προκαλέσει υπερβολική φθορά και θα μειώσει τη διάρκεια ζωής της μπάρας οδηγού της αλυσίδας και της αλυσίδας.

**Σημείωση:** Όταν η αλυσίδα είναι καινούρια, να ελέγχετε συχνά την τάνυση (αφού αποσυνδέστε το αλυσοπριόνιο από την παροχή ρεύματος) κατά τις πρώτες 2 ώρες χρήσης καθώς μια καινούργια αλυσίδα τεντώνεται ελαφρώς.

## Για να αυξήσετε την τάνυση

- ◆ Χαλαρώστε το μπουτόν ελέγχου κατά μια πλήρη περιστροφή, πιέστε μέσα δυνατά και περιστρέψτε δεξιόστροφα μέχρι να επιτευχθεί η απαιτούμενη τάνυση. Καθώς η μπάρα μετακινείται προς τα εμπρός βεβαιωθείτε ότι οι κρίκοι της αλυσίδας τροφοδοτούνται στην μπάρα οδηγού.
- ◆ Αφήστε το μπουτόν ελέγχου να επανέλθει στην "έξω" θέση υπό την επίδραση του ελατηρίου και περιστρέψτε περαιτέρω δεξιόστροφα για να σφίξετε την μπάρα οδηγού. Μην τεντώνετε.

## Χρήση

**Προειδοποίηση!** Αφήστε το εργαλείο να λειτουργήσει με το δικό του ρυθμό. Μην το υπερφορτώνετε.

## Γέμισμα του δοχείου λαδιού (εικ. F)

- ◆ Αφαιρέστε το πώμα λαδιού (3) και γεμίστε το δοχείο με το συνιστώμενο λάδι για αλυσίδες. Μπορείτε να δείτε το επίπεδο του λαδιού στην ένδειξη στάθμης λαδιού (5). Τοποθετήστε ξανά το πώμα λαδιού (3).
- ◆ Περιοδικά να θέτετε εκτός λειτουργίας το εργαλείο και να ελέγχετε το λάδι από το δείκτη στάθμης λαδιού (5), αν είναι γεμάτο λιγότερο από ένα τέταρτο, αποσυνδέστε το αλυσοπριόνιο από την πρίζα και αναπληρώστε με το σωστό λάδι.



## Ενεργοποίηση

**Σημείωση:** Δεν είναι δυνατή η ενεργοποίηση του εργαλείου εάν ο πρόσθιος προφυλακτήρας/φρένο αλυσίδας δε βρίσκεται στη θέση "ρύθμιση".

- ◆ Πιάστε γερά το αλυσοπρίονό σας και με τα δύο χέρια. Πιέστε το κουμπί απασφάλισης (2) και πιέστε το διακόπτη on/off (1) για να τεθεί σε λειτουργία.
- ◆ Μετά την εκκίνηση του μοτέρ, απομακρύνετε τον αντίχειρά σας από το μπουτόν ασφάλισης (2) και πιάστε γερά την λαβή.

Μην πιέζετε το εργαλείο, αφήστε το να λειτουργήσει με το δικό του ρυθμό. Η εργασία θα γίνει καλύτερα και με μεγαλύτερη ασφάλεια εάν το εργαλείο λειτουργεί με την ταχύτητα για την οποία έχει σχεδιαστεί. Η άσκηση υπερβολικής δύναμης καταπονεί την αλυσίδα (6).

## Ρύθμιση του φρένου αλυσίδας (εικ. C)

- ◆ Βεβαιωθείτε ότι το εργαλείο είναι αποσυνδεδεμένο από την παροχή ρεύματος.
- ◆ Τραβήξτε τον προφυλακτήρα/φρένο αλυσίδας (4) πίσω στη θέση "ρύθμισης" (εικ. C).
- ◆ Το εργαλείο είναι τώρα έτοιμο για χρήση.

## Λειτουργία του φρένου αλυσίδας κατά του κλοσήματος του εργαλείου

Σε περίπτωση κλοσήματος, το αριστερό σας χέρι έρχεται σε επαφή με τον πρόσθιο προφυλακτήρα, πιέζοντάς τον προς τα εμπρός, προς το επεξεργαζόμενο αντικείμενο και σταματά το εργαλείο εντός μερικών κλασμάτων του δευτερολέπτου.

## Ρύθμιση του φρένου αλυσίδας κατά του κλοσήματος του εργαλείου (εικ. C)

- ◆ Πριν από τη χρήση, να βεβαιώνετε πάντα ότι το φρένο κατά του κλοσήματος λειτουργεί σωστά.
- ◆ Πιάστε γερά το εργαλείο και με τα δύο χέρια πάνω σε μια σταθερή επιφάνεια – βεβαιωθείτε ότι η αλυσίδα (6) δεν ακουμπάει στο έδαφος και θέστε το σε λειτουργία (βλ. "Πώς να θέσετε το αλυσοπρίονο σε λειτουργία").
- ◆ Περιστρέψτε το αριστερό σας χέρι προς τα εμπρός γύρω από την πρόσθια λαβή ώστε το πίσω μέρος του χεριού σας να έρχεται σε επαφή με το συγκρότημα προφυλακτήρα/φρένου αλυσίδας (4) και να το σπρώχνει προς τα εμπρός, προς το μέρος του επεξεργαζόμενου αντικείμενου (εικ. C). Η αλυσίδα πρέπει (6) να σταματήσει εντός μερικών κλασμάτων του δευτερολέπτου.

Για την επαναρύθμιση μετά τη λειτουργία του συγκροτήματος προφυλακτήρα/φρένου αλυσίδας (4) ακολουθήστε τις σχετικές οδηγίες για το "Ρύθμιση του φρένου αλυσίδας".

**Σημείωση:** Μην επανεκκινήσετε το εργαλείο εάν δεν ακούσετε ότι το μοτέρ έχει ακινητοποιηθεί τελείως.

**Σημείωση:** Εάν το φρένο της αλυσίδας παρουσιάσει

δυσλειτουργία παραδώστε το προϊόν σε ένα εγκεκριμένο κέντρο επισκευών της Black & Decker.

## Σε περίπτωση εμπλοκής της αλυσίδας (6) ή της μπάρας οδηγού (7)

- ◆ Απενεργοποιήστε το εργαλείο.
- ◆ Αποσυνδέστε το εργαλείο από την πρίζα.
- ◆ Ανοίξτε την τομή με σφήνες για να μειώσετε την ένταση πάνω στην μπάρα οδηγού (7). Μην προσπαθήσετε να τραβήξετε απότομα το αλυσοπρίονο για να το απελευθερώσετε.
- ◆ Ξεκινήστε από νέο σημείο κοπής.

## Κοπή δέντρων (εικ. H - J)

Οι μη πεπειραμένοι χρήστες δεν πρέπει να επιχειρούν να κόψουν δέντρα. Ο χρήστης μπορεί να υποστεί προσωπικό τραυματισμό ή να προκαλέσει υλική ζημία λόγω αποτυχίας ελέγχου της κατεύθυνσης πτώσης, το δέντρο μπορεί να σχιστεί ή να καταστραφεί/νεκρά κλαδιά μπορεί να πέσουν κατά την κοπή.

Η απόσταση ασφαλείας ανάμεσα στο δέντρο που θα κοπεί και τους παρευρισκόμενους, κτίρια και άλλα αντικείμενα είναι τουλάχιστον 2 ½ φορές το ύψος του δέντρου. Κάθε παρευρισκόμενος, κτίριο ή αντικείμενο που βρίσκεται μέσα σ' αυτή την απόσταση βρίσκεται σε κίνδυνο χτυπήματος από το δέντρο όταν κόβεται.

## Πριν επιχειρήσετε να κόψετε ένα δέντρο:

- ◆ Βεβαιωθείτε ότι δεν υπάρχουν τοπικοί νόμοι ή κανονισμοί που απαγορεύουν ή περιορίζουν το κόψιμο των δέντρων.
- ◆ Λάβετε υπόψη όλους τους παράγοντες που ενδέχεται να επηρεάσουν την κατεύθυνση της πτώσης, συμπεριλαμβανομένων:
  - Της επιθυμητής κατεύθυνσης της πτώσης.
  - Της φυσικής κλίσης του δέντρου.
  - Οποιοδήποτε δομικού χαρακτηριστικού του κλαδιού με μεγάλο βάρος ή τυχόν σημείο σήψης.
  - Των γύρω δέντρων και εμποδίων, συμπεριλαμβανομένων εναέριων καλωδίων και των υπονόμων που υπάρχουν στο χώρο.
  - Της ταχύτητας και της διεύθυνσης του ανέμου.

Σχεδιάστε μια ασφαλή διαφυγή από το δέντρο ή τα κλαδιά του καθώς πέφτουν. Βεβαιωθείτε ότι το δρόμος διαφυγής δεν έχει εμπόδια τα οποία θα μπορούσαν να εμποδίσουν ή να δυσκολέψουν την κίνηση. Έχετε υπόψη ότι το υγρό γρασίδι και ο φλοιός δέντρου που έχει κοπεί πρόσφατα είναι ολισθηρά.

- ◆ Μην επιχειρείτε να κόψετε δέντρα των οποίων η διάμετρος είναι μεγαλύτερη από το μήκος κοπής του αλυσοπρίονου.
- ◆ Πραγματοποιήστε μια κατευθυντήρια τομή για τον προσδιορισμό της κατεύθυνσης πτώσης.



- ♦ Πραγματοποιήστε μια οριζόντια τομή σε βάθος από 1/5 έως 1/3 της διαμέτρου του δέντρου, κάθετη στη γραμμική πτώση στη βάση του δέντρου (εικ. Η).
- ♦ Πραγματοποιήστε μια δεύτερη τομή εκ των άνω για να διασταυρωθεί με την πρώτη και να σχηματίσει μια τομή 45° περίπου.
- ♦ Κάντε μία οριζόντια κοπή από την άλλη πλευρά 25 mm έως 50 mm πάνω από το κέντρο της κατευθυντήριας τομής.  
(εικ. Ι). Μην κόβετε μέσα στην κατευθυντήρια τομή, θα μπορούσατε να χάσετε τον έλεγχο της κατεύθυνσης πτώσης.
- ♦ Τοποθετήστε μια ή περισσότερες σφήνες σε αυτήν την κοπή για να την ανοίξετε και να κάνετε το δέντρο να πέσει (εικ. J).

### Κλάδεμα δέντρων

Βεβαιωθείτε ότι δεν υπάρχουν τοπικοί νόμοι ή κανονισμοί που απαγορεύουν ή περιορίζουν το κλάδεμα των κλαδιών των δέντρων. Το κλάδεμα θα πρέπει να αναλαμβάνεται μόνο από πεπειραμένα άτομα, υπάρχει κίνδυνος από την εμπλοκή της αλυσίδας και το κλότσημα του αλυσοπρίονου.

**Πριν το κλάδεμα λάβετε υπόψη όλες τις συνθήκες που μπορούν να επηρεάσουν την κατεύθυνση πτώσης, συμπεριλαμβανομένων:**

- ♦ Του μήκους και του βάρους του κλαδιού που θα κοπεί.
  - ♦ Οποιοδήποτε δομικού χαρακτηριστικού του κλαδιού με μεγάλο βάρος ή τυχόν σημείο σήψης.
  - ♦ Των γύρω δέντρων και εμποδίων, συμπεριλαμβανομένων των αναρτημένων συρμάτων, σχοινίων, καλωδίων κ.λπ. που υπάρχουν στο χώρο.
  - ♦ Της ταχύτητας και της διεύθυνσης του ανέμου.
  - ♦ Της εμπλοκής των κλαδιών με άλλα κλαδιά.
- Ο χειριστής πρέπει να εξετάζει την πρόσβαση στο κλαδί του δέντρου και την κατεύθυνση πτώσης. Το κλαδί του δέντρου μπορεί να αιωρηθεί προς τον κορμό του δέντρου. Εκτός από το χρήστη, κάθε παρευρισκόμενος, κτίριο ή αντικείμενο κάτω από το κλαδί εκτίθεται σε κίνδυνο.
- ♦ Για να αποφύγετε τη δημιουργία σχιζών, πρώτα, κόψτε από κάτω προς τα πάνω κατά ένα τρίτο της διαμέτρου του κλαδιού.
  - ♦ Πραγματοποιήστε τη δεύτερη τομή από πάνω προς τα κάτω έως να συναντήσετε την πρώτη κοπή.

### Κοπή δέντρου σε τεμάχια (εικ. Κ - Μ)

Ο τρόπος κοπής εξαρτάται από τον τρόπο στήριξης του κορμού.

Να χρησιμοποιείτε καβαλέτο όποτε είναι δυνατόν. Να ξεκινάτε να κόβετε πάντα με την αλυσίδα σε λειτουργία και τον ακιδωτό προφυλακτήρα (16) σε επαφή με το ξύλο (εικ. Κ). Για να ολοκληρώσετε την κοπή χρησιμοποιήστε την περιστροφική κίνηση του ακιδωτού προφυλακτήρα πάνω στο ξύλο.

#### Όταν στηρίζεται σε όλο το μήκος του:

- ♦ Κάντε μια κοπή προς τα κάτω, αποφεύγοντας να ακουμπήσετε το έδαφος καθώς αυτό θα στομάσει την αλυσίδα σας πολύ γρήγορα.

#### Όταν στηρίζεται στα δύο άκρα:

- ♦ Πρώτα, κόψτε κατά ένα τρίτο προς τα κάτω για να αποφύγετε τη δημιουργία σχιζών, και δεύτερον, κόψτε πάλι έως να συναντήσετε την πρώτη κοπή.

#### Όταν στηρίζεται στο ένα άκρο:

- ♦ Πρώτα, κόψτε κατά ένα τρίτο προς τα πάνω για να αποφύγετε τη δημιουργία σχιζών, και δεύτερον, κόψτε πάλι έως να συναντήσετε την πρώτη κοπή.

#### Σε κλίση (εικ. L):

- ♦ Να στέκεστε πάντα από την πάνω μεριά.

#### Όταν επιχειρείτε να κόψετε έναν κορμό πάνω στο έδαφος (εικ. L):

- ♦ Ασφαλίστε το αντικείμενο προς επεξεργασία με τάκους ή σφήνες. Ο χρήστης ή τυχόν παρευρισκόμενα άτομα δεν πρέπει να κάθονται ή να στέκονται πάνω στον κορμό για να τον σταθεροποιήσουν. Βεβαιωθείτε ότι η αλυσίδα δεν έρχεται σε επαφή με το έδαφος.

#### Όταν χρησιμοποιείτε καβαλέτο (εικ. Μ):

Συνιστάται όποτε είναι δυνατόν.

- ♦ Τοποθετήστε τον κορμό σε μια σταθερή θέση. Να κόβετε πάντα από την εξωτερική πλευρά των στηριγμάτων του καβαλέτου. Χρησιμοποιείτε σφιγκτήρες ή λουριά για να ασφαλίσετε το επεξεργαζόμενο αντικείμενο.

### Αντιμετώπιση προβλημάτων

Πρόβλημα	Πιθανή αιτία	Πιθανή λύση
Το εργαλείο δεν ενεργοποιείται	Το κουμπί ασφάλισης δεν είναι πατημένο.	Πατήστε το κουμπί ασφάλισης.

Πρόβλημα	Πιθανή αιτία	Πιθανή λύση
	Πρόσθιος προφυλακτήρας στη θέση φρένου	Επαναρυθμίστε τον πρόσθιο προφυλακτήρα
	Καμένη ασφάλεια	Αντικαταστήστε την ασφάλεια
	Διακοπή λειτουργίας της διάταξης RCD	Ελέγξτε τη διάταξη RCD
	Το καλώδιο ρεύματος δεν είναι συνδεδεμένο	Ελέγξτε την παροχή ρεύματος
Η αλυσίδα δεν ακινητοποιείται αμέσως όταν απενεργοποιείται το εργαλείο	Η αλυσίδα είναι πολύ χαλαρή	Ελέγξτε την τάνυση της αλυσίδας
Η μπάρα/ αλυσίδα φαίνονται θερμές/ καπνίζουν	Άδεια δεξαμενή λαδιού	Ελέγξτε τη στάθμη στη δεξαμενή λαδιού
	Αποφραγμένη οπή λαδιού στη ράβδο της αλυσίδας	Καθαρίστε την οπή λαδιού
	Η αλυσίδα είναι πολύ τεντωμένη	Ελέγξτε την τάνυση της αλυσίδας
	Ο οδοντωτός τροχός της μπάρας οδηγού χρειάζεται λίπανση	Λιπάνετε τον οδοντωτό τροχό της μπάρας οδηγού
Το αλυσοπρίονο δεν κόβει καλά	Αλυσίδα τοποθετημένη ανάποδα	Ελέγξτε/ τροποποιήστε την κατεύθυνση της αλυσίδας
		Ακονίστε
Το αλυσοπρίονο δεν καταναλώνει λάδι	Άχρηστα υλικά στη δεξαμενή	Αδειάστε το λάδι από τη δεξαμενή και αντικαταστήστε
	Οπή λαδιού στο πώμα αποφραγμένη	Αφαιρέστε τα άχρηστα υλικά από την οπή
	Άχρηστα υλικά στη ράβδο της αλυσίδας	Αφαιρέστε τα άχρηστα υλικά και καθαρίστε τη ράβδο της αλυσίδας
	Άχρηστα υλικά στην έξοδο λαδιού	αφαιρέστε τα άχρηστα υλικά

## Συντήρηση

Η τακτική συντήρηση εξασφαλίζει μια μεγάλη και αποτελεσματική διάρκεια ζωής του εργαλείου. Συνιστάται να πραγματοποιείτε τους ακόλουθους ελέγχους σε τακτική βάση.

**Προειδοποίηση!** Πριν πραγματοποιήσετε οποιοδήποτε συντήρηση σε ηλεκτρικά εργαλεία:

- ◆ Θέστε εκτός λειτουργίας και απουσνδέστε το εργαλείο από την πρίζα.

## Στάθμη λαδιού

Η στάθμη στο δοχείο δεν πρέπει να επιτρέπεται να πέφτει κάτω από το ένα τέταρτο γεμάτο.

## Αλυσίδα και μπάρα οδηγού (εικ. G)

- ◆ Μετά από κάθε λίγες ώρες χρήσης και πριν τη φύλαξη, αφαιρέστε την μπάρα οδηγού (7) και την αλυσίδα (6) και καθαρίστε τα επιμελώς.
- ◆ Βεβαιωθείτε ότι ο προφυλακτήρας είναι καθαρός και δεν έχει κατάλοιπα.
- ◆ Όταν το συναρμολογείτε πάλι, περιστρέψτε την μπάρα οδηγού (7) κατά 180° και λαδώστε την άκρη της οδόντωσης μέσω της οπής λίπανσης της οδόντωσης (17). Έτσι εξασφαλίζεται η ομοιόμορφη κατανομή της φθοράς γύρω από τις ράγες της μπάρας οδηγού.

## Ακόνισμα της αλυσίδας του πριονιού

Για την καλύτερη δυνατόν απόδοση του εργαλείου, είναι σημαντικό να κρατάτε τα δόντια της αλυσίδας ακονισμένα. Οι οδηγίες για αυτήν τη διαδικασία βρίσκονται στη συσκευασία του ακονιστή. Για τον σκοπό αυτό συνιστάται να αγοράσετε το σετ ακονίσματος αλυσίδας πριονιού της Black & Decker (διατίθεται στα εξουσιοδοτημένα κέντρα επισκευών και επιλεγμένους αντιπροσώπους της Black & Decker).

## Αντικατάσταση των φθαρμένων αλυσίδων

Τα εξουσιοδοτημένα κέντρα επισκευών της Black & Decker και οι έμποροι διαθέτουν ανταλλακτικές αλυσίδες. Να χρησιμοποιείτε πάντα γνήσια ανταλλακτικά.

## Ικανότητα κοπής της αλυσίδας πριονιού

Οι κόφτες της αλυσίδας θα στομώσουν αμέσως εάν έρθουν σε επαφή με το έδαφος ή ένα καρφί κατά τη διάρκεια της κοπής.

## Τάνυση της αλυσίδας πριονιού

Να ελέγχετε τακτικά την τάνυση της αλυσίδας.

## Αν το αλυσοπρίονο χρειάζεται επισκευή.

Το αλυσοπρίονό σας κατασκευάστηκε σύμφωνα με τις σχετικές προδιαγραφές ασφαλείας. Οι επισκευές θα πρέπει να γίνονται μόνο από ειδικευμένους τεχνικούς και με τη χρήση αποκλειστικά γνήσιων ανταλλακτικών, διαφορετικά

υπάρχει το ενδεχόμενο σοβαρού κινδύνου για το χρήστη. Συνιστάται να φυλάσσετε αυτό το εγχειρίδιο χρήσης σε ένα ασφαλές μέρος.

## Προστασία του περιβάλλοντος



Ξεχωριστή περισυλλογή. Αυτό το προϊόν δεν πρέπει να απορρίπτεται μαζί με τα κοινά οικιακά απορρίμματα.

Εάν κάποια μέρα διαπιστώσετε ότι το προϊόν σας Black & Decker χρειάζεται αντικατάσταση ή ότι δεν το χρειάζεστε άλλο, μην το απορρίψετε μαζί με τα κοινά οικιακά απορρίμματα αλλά κάντε αυτό το προϊόν διαθέσιμο για ξεχωριστή περισυλλογή.



Η ξεχωριστή περισυλλογή των μεταχειρισμένων προϊόντων και των υλικών συσκευασίας επιτρέπει την ανακύκλωση και επαναχρησιμοποίηση των υλικών. Με την επαναχρησιμοποίηση των ανακυκλωμένων υλικών αποτρέπεται η μόλυνση του περιβάλλοντος και μειώνεται η ζήτηση πρώτων υλών.

Οι κανονισμοί που ισχύουν στην περιοχή σας ενδέχεται να προβλέπουν την ξεχωριστή περισυλλογή των ηλεκτρικών συσκευών που προέρχονται από νοικοκυριά σε δημοτικές εγκαταστάσεις ή από τον έμπορο όταν αγοράσετε ένα καινούργιο προϊόν.

Η Black & Decker δίνει τη δυνατότητα ανακύκλωσης των προϊόντων της που έχουν συμπληρώσει τη διάρκεια ζωής τους. Για να χρησιμοποιήσετε αυτήν την υπηρεσία, επιστρέψτε το προϊόν σας σε οποιοδήποτε εξουσιοδοτημένο κέντρο επισκευών, όπου θα το παραλάβουν εκ μέρους μας.

Ενημερωθείτε για το πλησιέστερο εξουσιοδοτημένο κέντρο επισκευών της περιοχής σας, επικοινωνώντας με τα γραφεία της Black & Decker στη διεύθυνση που αναγράφεται στο εγχειρίδιο. Επίσης, μια λίστα με τα εξουσιοδοτημένα κέντρα επισκευών της Black & Decker και πλήρεις λεπτομέρειες για τις υπηρεσίες που παρέχονται μετά την πώληση καθώς και στοιχεία επικοινωνίας υπάρχουν στο Διαδίκτυο, στη διεύθυνση: [www.2helpU.com](http://www.2helpU.com)

## Τεχνικά χαρακτηριστικά

	GK1630T	GK1635T
	Typ. 5	Typ. 5
Μήκος μπάρας	cm 30	35
Τάση	V <sub>AC</sub> 230	230
Ισχύς εισόδου	W 1600	1600
Ταχύτητα αλυσίδας (χωρίς φορτίο)	m/s 8	8
Μέγιστο μήκος κοπής	cm 30	35
Χωρητικότητα δοχείου λαδιού	ml 180	180
Βάρος	kg 3.7	3.8
Κατηγορία ασφαλείας	II	II

	GK1640T
	Typ. 5
Μήκος μπάρας	cm 40
Τάση	V <sub>AC</sub> 230
Ισχύς εισόδου	W 1600
Ταχύτητα αλυσίδας (χωρίς φορτίο)	m/s 8
Μέγιστο μήκος κοπής	cm 40
Χωρητικότητα δοχείου λαδιού	ml 180
Βάρος	kg 3.9
Κατηγορία ασφαλείας	II

## Στάθμη ηχητικής πίεσης κατά EN 60745:

Ηχητική πίεση (L<sub>pA</sub>) 92 dB(A), αβεβαιότητα (K) 3 dB(A)  
 Ηχητική Ισχύς (L<sub>WA</sub>) 103 dB(A), αβεβαιότητα (K) 3 dB(A)

## Οι συνολικές τιμές δόνησης (διανυσματικό άθροισμα τριών αξόνων) κατά EN 60745:

Τιμή εκπομπής δόνησης (a<sub>w</sub>) 5 m/s<sup>2</sup>, αβεβαιότητα (K) 1.5 m/s<sup>2</sup>

## Δήλωση συμμόρφωσης με την Ευρωπαϊκή Κοινότητα

ΟΔΗΓΙΑ ΠΕΡΙ ΜΗΧΑΝΗΜΑΤΩΝ  
ΟΔΗΓΙΑ ΓΙΑ ΘΟΥΡΥΒΟΥΣ ΣΕ ΕΞΩΤΕΡΙΚΟΥΣ ΧΩΡΟΥΣ



GK1630T, GK1635T, GK1640T

Η Black & Decker δηλώνει ότι τα προϊόντα αυτά που περιγράφονται στα “τεχνικά χαρακτηριστικά” συμμορφώνονται με:  
98/37/EK (έως 28 Δεκ., 2009), 2006/42/EK (από 29 Δεκ., 2009), EN 60745-1, EN 60745-2-13

2000/14/EK, Αλυσσπρίονο, Παράρτημα V  
KEMA Quality B.V., Utrechtseweg 310, 6802 ED Arnhem,  
The Netherlands  
Αρ. ID Διακοινωμένου Οργανισμού: 0344

Στάθμη ηχητικής ισχύος σύμφωνα με 2000/14/EK  
(Άρθρο 13, Παράρτημα III):

$L_{WA}$  (μετρημένη ηχητική ισχύς) 103 dB(A)  
Αβεβαιότητα = 3 dB(A)

$L_{WA}$  (εγγυημένη ηχητική ισχύς) 103 dB(A)  
Αβεβαιότητα = 3 dB(A)

Αυτά τα προϊόντα συμμορφώνονται επίσης με την οδηγία 2004/108/EK.

Για περισσότερες πληροφορίες, παρακαλείστε να επικοινωνήσετε με την Black & Decker στην παρακάτω διεύθυνση ή να ανατρέξετε στο πίσω μέρος του εγχειριδίου.

Ο κάτωθι υπογεγραμμένος είναι υπεύθυνος για την κατάρτιση του τεχνικού φακέλου και δηλώνει τα παρόντα εκ μέρους της Black & Decker.

Kevin Hewitt  
Αντιπρόεδρος παγκόσμιας μηχανικής  
Black & Decker Europe, 210 Bath Road, Slough,  
Berkshire, SL1 3YD  
Ηνωμένο Βασίλειο  
01-12-2009

## Εγγύηση

Η Black & Decker είναι σίγουρη για την ποιότητα των προϊόντων της και παρέχει μια εξαιρετική εγγύηση. Η παρούσα γραπτή εγγύηση αποτελεί πρόσθετο δικαίωμά σας και δεν ζημιώνει τα νόμιμα δικαιώματά σας. Η εγγύηση ισχύει εντός της επικράτειας των Κρατών Μελών της Ευρωπαϊκής Ένωσης και της Ευρωπαϊκής Ζώνης Ελευθέρων Συναλλαγών.

Σε περίπτωση που κάποιο προϊόν της Black & Decker παρουσιάσει βλάβη εξαιτίας ελαττωματικών υλικών, ποιότητας εργασίας ή έλλειψης συμφωνίας με τις προδιαγραφές εντός 24 μηνών από την ημερομηνία αγοράς, η Black & Decker εγγυάται την αντικατάσταση των ελαττωματικών τμημάτων, την επισκευή προϊόντων που έχουν υποστεί εύλογη φθορά λόγω χρήσης ή την αντικατάσταση των προϊόντων προκειμένου να εξασφαλίσει την ελάχιστη ενόχληση στους πελάτες της, εκτός εάν:

- ◆ Το προϊόν έχει χρησιμοποιηθεί σε εργασιακό, επαγγελματικό περιβάλλον ή έχει ενοικιαστεί.
- ◆ Έχει γίνει εσφαλμένη χρήση του προϊόντος ή έχει παραμεληθεί.
- ◆ Το προϊόν έχει υποστεί βλάβη από άλλα αντικείμενα, από ουσίες ή λόγω ατυχήματος.
- ◆ Έχει γίνει προσπάθεια επισκευής από μη εξουσιοδοτημένα κέντρα επισκευών ή από προσωπικό που δεν ανήκει στο προσωπικό της Black & Decker.

Για να ισχύσει η εγγύηση, πρέπει να υποβάλετε απόδειξη αγοράς στον πωλητή ή το εξουσιοδοτημένο κέντρο επισκευών. Ενημερωθείτε για το πλησιέστερο εξουσιοδοτημένο κέντρο επισκευών της περιοχής σας, επικοινωνώντας με τα γραφεία της Black & Decker στη διεύθυνση που αναγράφεται στο εγχειρίδιο. Επίσης, μια λίστα με τα εξουσιοδοτημένα κέντρα επισκευών της Black & Decker και πλήρεις λεπτομέρειες για τις υπηρεσίες που παρέχονται μετά την πώληση καθώς και στοιχεία επικοινωνίας υπάρχουν στο Διαδίκτυο, στη διεύθυνση: [www.2helpU.com](http://www.2helpU.com)

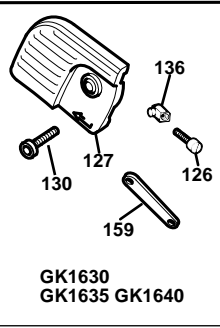
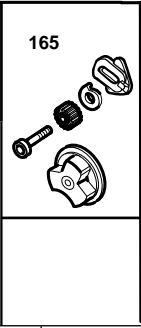
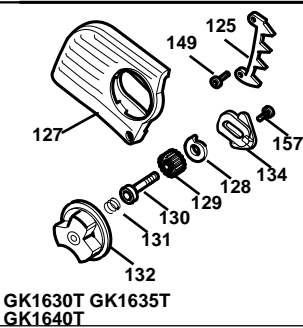
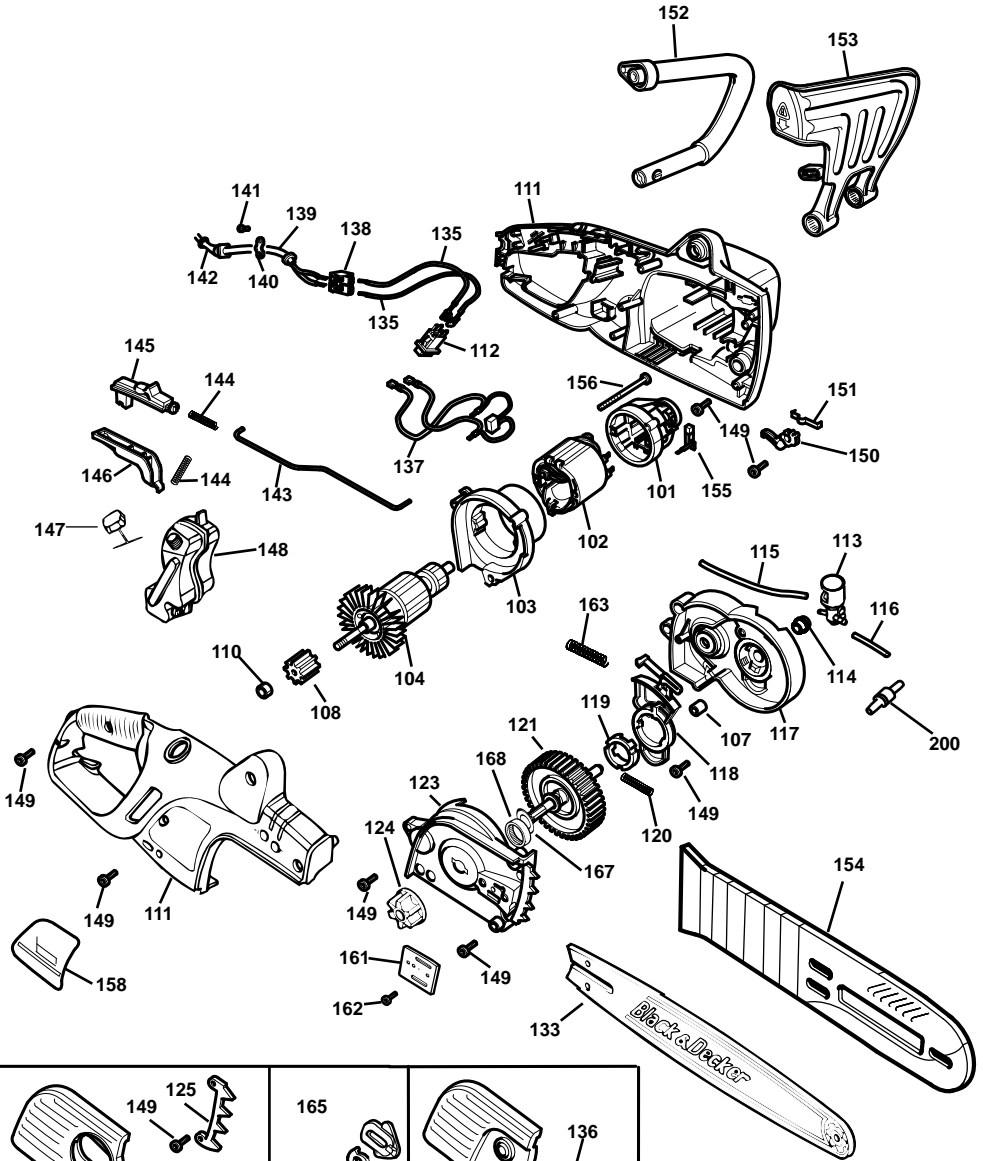
Παρακαλούμε επισκεφθείτε την ιστοσελίδα μας [www.blackanddecker.co.uk](http://www.blackanddecker.co.uk) για να καταχωρήσετε το νέο σας προϊόν Black & Decker και για να ενημερώνετε για τα νέα προϊόντα και τις ειδικές προσφορές. Περισσότερες πληροφορίες σχετικά με τη μάρκα Black & Decker και τη σειρά των προϊόντων μας θα βρείτε στη διεύθυνση [www.blackanddecker.co.uk](http://www.blackanddecker.co.uk)











GK1630T GK1635T  
GK1640T

GK1630  
GK1635 GK1640



ENGLISH

**Do not forget to register your product!**

[www.blackanddecker.co.uk/productregistration](http://www.blackanddecker.co.uk/productregistration)

Register your product online at [www.blackanddecker.co.uk/productregistration](http://www.blackanddecker.co.uk/productregistration) or send your name, surname and product code to Black & Decker in your country.

DEUTSCH

**Vergessen Sie nicht, Ihr Produkt registrieren zu lassen!**

[www.blackanddecker.de/productregistration](http://www.blackanddecker.de/productregistration)

Lassen Sie Ihr Produkt unter [www.blackanddecker.de/productregistration](http://www.blackanddecker.de/productregistration) online registrieren oder schicken Sie Ihren Nachnamen, Vornamen und den Produktcode an Black & Decker in Ihrem Land.

FRANÇAIS

**N'oubliez pas d'enregistrer votre produit !**

[www.blackanddecker.fr/productregistration](http://www.blackanddecker.fr/productregistration)

Enregistrez votre produit en ligne sur [www.blackanddecker.fr/productregistration](http://www.blackanddecker.fr/productregistration) ou envoyez vos nom, prénom et code produit à Black & Decker dans votre pays.

ITALIANO

**Non dimenticate di registrare il prodotto!**

[www.blackanddecker.it/productregistration](http://www.blackanddecker.it/productregistration)

Registrate il prodotto online su [www.blackanddecker.it/productregistration](http://www.blackanddecker.it/productregistration) o inviate nome, cognome e codice del prodotto al centro Black & Decker del vostro paese.

NEDERLANDS

**Vergeet niet uw product te registreren!**

[www.blackanddecker.nl/productregistration](http://www.blackanddecker.nl/productregistration)

U kunt uw product online registreren op [www.blackanddecker.nl/productregistration](http://www.blackanddecker.nl/productregistration) of u kunt uw voornaam, achternaam en productcode opsturen naar Black & Decker in uw land.

ESPAÑOL

**¡No olvide registrar su producto!**

[www.blackanddecker.es/productregistration](http://www.blackanddecker.es/productregistration)

Registre su producto on-line en [www.blackanddecker.es/productregistration](http://www.blackanddecker.es/productregistration) o envíe su nombre, apellidos y código de producto a Black & Decker en su país.

PORTUGUÊS

**Não se esqueça de registar o seu produto!**

[www.blackanddecker.pt/productregistration](http://www.blackanddecker.pt/productregistration)

Registe o seu produto online em [www.blackanddecker.pt/productregistration](http://www.blackanddecker.pt/productregistration) ou envie o seu nome, apelido e código do produto para a Black & Decker no seu país.

SVENSKA

**Glöm inte att registrera produkten!**

[www.blackanddecker.se/productregistration](http://www.blackanddecker.se/productregistration)

Registrera produkten online på [www.blackanddecker.se/productregistration](http://www.blackanddecker.se/productregistration) eller skicka namn och produktkod till Black & Decker i landet du bor i.

NORSK

**Ikke glem å registrere produktet ditt!**

[www.blackanddecker.no/productregistration](http://www.blackanddecker.no/productregistration)

Registrer produktet ditt online på [www.blackanddecker.no/productregistration](http://www.blackanddecker.no/productregistration), eller send ditt navn, etternavn og produktkode til Black & Decker i ditt eget land.

DANSK

**Glem ikke at registrere dit produkt!**

[www.blackanddecker.dk/productregistration](http://www.blackanddecker.dk/productregistration)

Registrer dit produkt på internettet på: [www.blackanddecker.dk/productregistration](http://www.blackanddecker.dk/productregistration) eller send dit navn, efternavn og produktkode til Black & Decker i dit eget land.

SUOMI

**Muistathan rekisteröidä tuotteesi!**

[www.blackanddecker.fi/productregistration](http://www.blackanddecker.fi/productregistration)

Rekisteröi tuotteesi verkossa osoitteessa [www.blackanddecker.fi/productregistration](http://www.blackanddecker.fi/productregistration) tai lähetä etunimesi, sukunimesi ja tuotekoodi oman maasi Black & Decker -edustajalle.

ΕΛΛΗΝΙΚΑ

**Μην ξεχάσετε να καταχωρίσετε το προϊόν σας!**

[www.blackanddecker.gr/productregistration](http://www.blackanddecker.gr/productregistration)

Καταχωρίστε το προϊόν σας σε σύνδεση στη σελίδα [www.blackanddecker.gr/productregistration](http://www.blackanddecker.gr/productregistration) ή στείλτε το όνομα, επίθετο σας και τον κωδικό προιωντός στη Black & Decker στη χώρα σας.

<b>België/Belgique</b>	Black & Decker (Belgium) N.V. Nieuwlandlaan 321 3200 Aarschot	Tel. Fax	016 68 91 00 016 68 91 11
<b>Danmark</b>	Black & Decker Sluseholmen 2-4, 2450 København SV Internet: <a href="http://www.blackanddecker.dk">www.blackanddecker.dk</a>	Tel. Fax	70 20 15 10 70 22 49 10
<b>Deutschland</b>	Black & Decker GmbH Black & Decker Str. 40, D - 65510 Idstein	Tel. Fax	06126/21 - 0 06126/21 29 80
<b>Ελλάδα</b>	Black & Decker (Ελλάς) A.E. Στράβωνος 7 & Λεωφ. Βουλιαγμένης 159 166 74 Γλυφάδα - Αθήνα	Τηλ. Φαξ www.blackanddecker.eu	210 8981616 210 8983285
<b>España</b>	Black & Decker Ibérica, S.C.A. Parc de Negocis "Mas Blau" Edificio Muntadas, c/Bergadá, 1, Of. A6 08820 El Prat de Llobregat (Barcelona)	Tel. Fax	934 797 400 934 797 419
<b>France</b>	Black & Decker (France) S.A.S. B.P. 21, 69571 Dardilly Cédex	Tel. Fax	04 72 20 39 20 04 72 20 39 00
<b>Helvetia</b>	ROFO AG Gewerbezone Seeblick 3213 Kleinbörsingen	Tel. Fax	026-6749391 026-6749394
<b>Italia</b>	Black & Decker Italia SpA Viale Eivezia 2 20052 Monza (MI)	Tel. Fax Numero verde	039-23871 039-2387592/2387594 800-213935
<b>Nederland</b>	Black & Decker Benelux Joulehof 12, 4622 RG Bergen op Zoom	Tel. Fax	0164 - 283000 0164 - 283100
<b>Norge</b>	Black & Decker (Norge) A/S Postboks 4814, Nydalen, 0422 Oslo Internet: <a href="http://www.blackanddecker.no">www.blackanddecker.no</a>	Tlf. Fax	22 90 99 00 22 90 99 01
<b>Österreich</b>	Black & Decker Vertriebsges.m.b.H Oberlaaerstraße 246, A1100 Wien	Tel. Fax	01 66116-0 01 66116-14
<b>Portugal</b>	Black & Decker Rua Egas Moniz 173 S. João do Estoril 2766-651 Estoril	Tel. Fax	214667500 214667580
<b>Suomi</b>	Black & Decker Oy Keillasatama 3, 02150 Espoo Black & Decker Oy, Kägelhamnen 3, 02150 Esbo	Puh. Faksi Tel. Fax	010 400 430 (09) 2510 7100 010 400 430 (09) 2510 7100
<b>Sverige</b>	Black & Decker AB Fabriksg. 7, 412 50 Göteborg	Tel. Fax	031-68 60 60 031-68 60 80
<b>United Kingdom</b>	Black & Decker 210 Bath Road Slough, Berkshire SL1 3YD	Tel. Fax Helpline	01753 511234 01753 551155 01753 574277
<b>Middle East &amp; Africa</b>	Black & Decker (Overseas) A.G. PB 5420, Dubai, United Arab Emirates	Tel. Fax	+971 4 2826464 +971 4 2826466