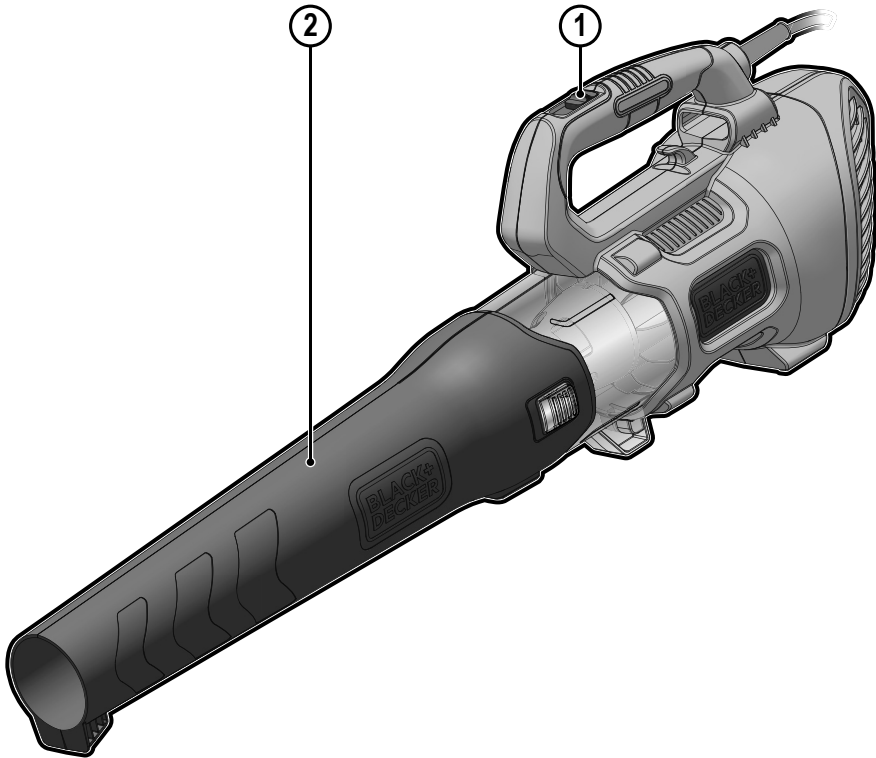




EN

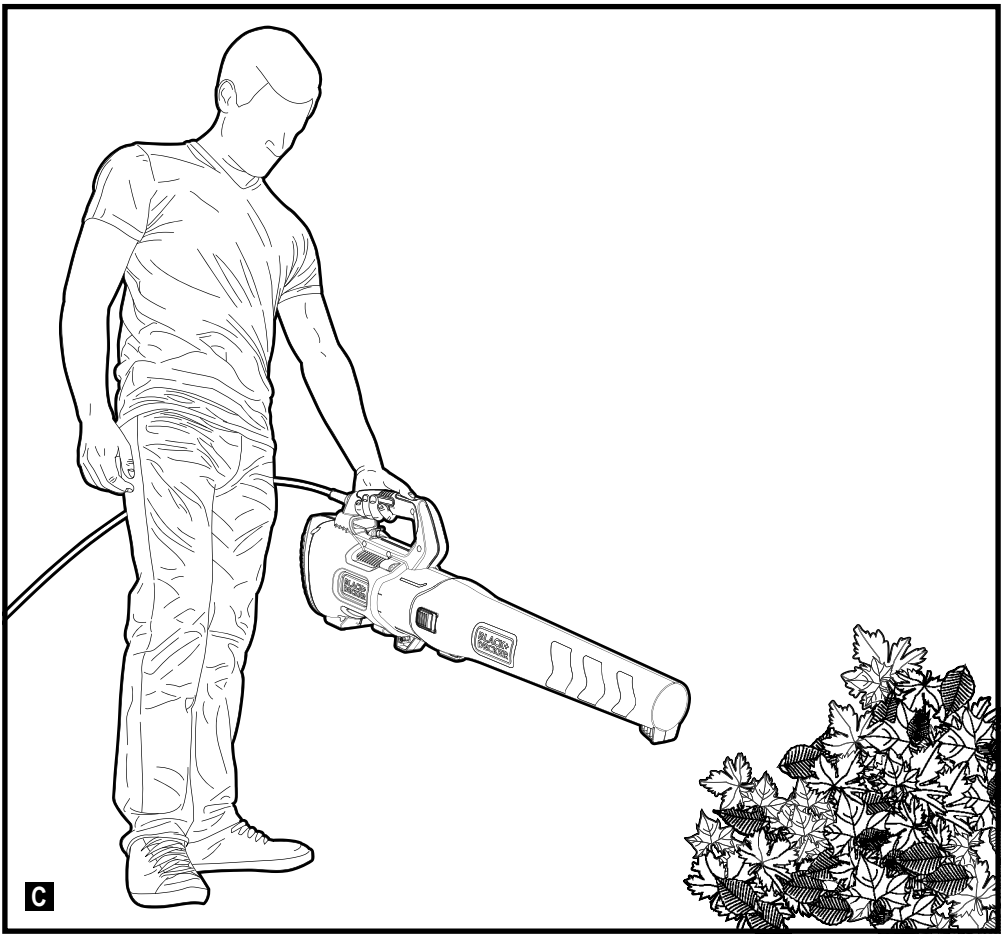
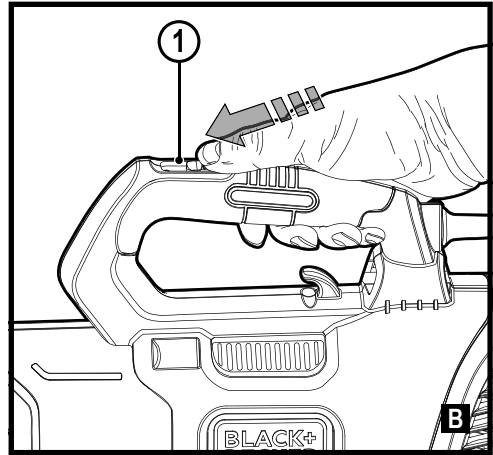
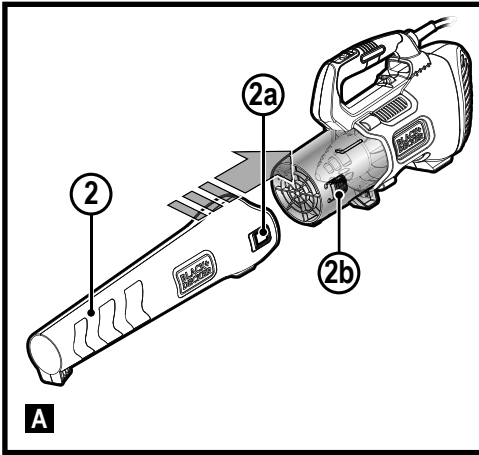
RU



www.blackanddecker.eu

503913 - 65

BEBL185



Intended use

Your BLACK+DECKER BEBL185 blower has been designed for leaf clearing. This appliance is intended for consumer use only.

Safety instructions

Warning! When using mains-powered/cordless appliances, basic safety precautions, including the following, should always be followed to reduce the risk of fire, electric shock, personal injury and material damage.

- ◆ Read all of this manual carefully before operating the appliance.
- ◆ The intended use is described in this manual. The use of any accessory or attachment or the performance of any operation with this appliance other than those recommended in this instruction manual may present a risk of personal injury.
- ◆ Retain this manual for future reference.

Using your appliance

Always take care when using the appliance.

- ◆ Always use safety glasses or goggles.
- ◆ Never allow children, persons with reduced physical, sensory or mental capabilities or lack of experience and knowledge or people unfamiliar with these instructions to use the machine, local regulations may restrict the age of the operator. Never operate the machine while people, especially children, or pets are nearby.
- ◆ Do not allow children or animals to come near the work area or to touch

the appliance or power supply cord.

- ◆ Close supervision is necessary when the appliance is used near children.
- ◆ This appliance is not intended for use by young or infirm persons without supervision.
- ◆ This appliance is not to be used as a toy.
- ◆ Only use the appliance in daylight or good artificial light.
- ◆ Use in a dry location only. Do not allow the appliance to become wet.
- ◆ Avoid using the appliance in bad weather conditions, especially when there is a risk of lightning.
- ◆ Do not immerse the appliance in water.
- ◆ Do not open the body casing. There are not user-serviceable parts inside.
- ◆ Do not operate the appliance in explosive atmospheres, such as in the presence of flammable liquids, gases or dust.
- ◆ The appliance is only to be used with the power supply unit provided with the appliance.

Residual risks.

Additional residual risks may arise when using the tool which may not be included in the enclosed safety warnings.

These risks can arise from misuse, prolonged use etc.

Even with the application of the relevant safety regulations and the implementation of safety devices, certain residual risks can not be avoided.

These include:

- ◆ Injuries caused by touching any

rotating/moving parts.

- ◆ Injuries caused when changing any parts, blades or accessories.
- ◆ Injuries caused by prolonged use of a tool. When using any tool for prolonged periods ensure you take regular breaks.
- ◆ Impairment of hearing.
- ◆ Health hazards caused by breathing dust developed when using your tool (example:- working with wood, especially oak, beech and MDF.)

Appliance use and care

- ◆ Before use, check the appliance for damaged or defective parts. Check for breakage of parts, damage to switches and any other conditions that may affect its operation.
- ◆ Do not use the appliance if the switch does not turn it on and off. Any appliance that cannot be controlled with the switch is dangerous and must be repaired.
- ◆ Disconnect the plug from the power source and/or the battery pack from the appliance before making any adjustments, changing accessories, or storing appliances. Such preventive safety measures reduce the risk of starting the appliance accidentally.
- ◆ Where applicable, keep cutting tools sharp and clean. Properly maintained cutting tools with sharp cutting edges are less likely to bind and are easier to control.
- ◆ Do not use the appliance if any part is damaged or defective.

- ◆ Have any damaged or defective parts repaired or replaced by an authorised repair agent.
- ◆ Never attempt to remove or replace any parts other than those specified in this manual.

Electrical safety

- ◆ Appliance plugs must match the outlet. Never modify the plug in any way. Do not use any adapter plugs with earthed (grounded) appliance. Unmodified plugs and matching outlets will reduce risk of electric shock.
- ◆ Do not expose appliance to rain or wet conditions. Water entering a appliance will increase the risk of electric shock.
- ◆ Do not abuse the cord. Never use the cord for carrying, pulling or unplugging the appliance. Keep cord away from heat, oil, sharp edges or moving parts. Damaged or entangled cords increase the risk of electric shock.
- ◆ When operating an appliance outdoors, use an extension cord suitable for outdoor use. Use of a cord suitable for outdoor use reduces the risk of electric shock.
- ◆ If operating an appliance in a damp location is unavoidable, use a Residual Current Device (RCD) protected supply. Use of an RCD reduces the risk of electric shock.

After use

- ◆ When not in use, the appliance should be stored in a dry, well ventilated place out of reach of children.

- ◆ Children should not have access to stored appliances.
- ◆ When the appliance is stored or transported in a vehicle it should be placed in the boot or restrained to prevent movement following sudden changes in speed or direction.

Inspection and repairs

- ◆ Before use, check the appliance for damaged or defective parts. Check for breakage of parts and any other conditions that may affect its operation.
- ◆ Do not use the appliance if any part is damaged or defective.
- ◆ Have any damaged or defective parts repaired or replaced by an authorised repair agent.
- ◆ Never attempt to remove or replace any parts other than those specified in this manual.

Additional safety instructions for blowers

The intended use is described in this manual. The use of any accessory or attachment or performance of any operation with this appliance other than those recommended in this instruction manual can present a risk of personal injury and/or damage to property.

- ◆ To protect your feet and legs while operating the appliance, always wear heavy duty footwear and long trousers.
- ◆ Always switch off your product, allow the fan to stop and remove the battery when:

- ◆ You leave your product unattended.
 - ◆ Clearing a blockage.
 - ◆ Checking, adjusting, cleaning or working on your product.
 - ◆ If the appliance starts to vibrate abnormally.
- ◆ Do not place the inlet or outlet of the vacuum near eyes or ears when operating. Never blow debris in the direction of bystanders.
- ◆ Do not use in the rain or leave outdoors while it is raining.
- ◆ Do not cross gravel paths or roads whilst your product is switched. Walk, never run.
- ◆ Do not place your unit down on gravel while it is switched on.
- ◆ Always be sure of your footing, particularly on slopes. Do not overreach and keep your balance at all times.
- ◆ Do not place any objects into the openings. Never use if the openings are blocked - keep free of hair, lint, dust and anything that may reduce the airflow.

Vibration

The declared vibration emission values stated in the technical data and the declaration of conformity have been measured in accordance with a standard test method provided by EN50636 and may be used for comparing one tool with another. The declared vibration emission value may also be used in a preliminary assessment of exposure.

Warning! The vibration emission value during actual use of the power tool can differ from the declared value depending on the ways in which the tool is used. The vibration level may increase above the level stated.

When assessing vibration exposure to determine safety measures required by 2002/44/EC to protect persons regularly using power tools in employment, an estimation of vibration exposure should consider, the actual conditions of use and the way the tool is used, including taking account of all parts of the operating cycle such as the times when the tool is switched off and when it is running idle in addition to the trigger time.

Warning! Always use your product in the manner outlined in this manual.

Your product is designed to be used in an upright mode and if it is used in any other way it may result in injury. Never run your product whilst lying on it's side or upside down.

- ◆ The operator or user is responsible for accidents or hazards occurring to other people or their property.
- ◆ Do not use solvents or cleaning fluids to clean your product. Use a blunt scraper to remove grass and dirt.
- ◆ Check the collection bag frequently for wear or deterioration.
- ◆ Replacement fans are available from a Black & Decker service agent. Use on Black & Decker recommended spare parts and accessories.

- ◆ Keep all nuts bolts and screws tight to make sure that the appliance is in a safe working condition.

Safety of others

- ◆ This appliance is not intended for use by persons (including children) with reduced physical, sensory or mental capabilities, or lack of experience and knowledge, unless they have been given supervision or instruction concerning use of the appliance by a person responsible for their safety.
- ◆ Children should be supervised to ensure that they do not play with the appliance.

Electrical safety



This appliance is double insulated; therefore no earth wire is required. Always check that the power supply corresponds to the voltage on the rating plate.

- ◆ If the supply cord is damaged, it must be replaced by the manufacturer or an authorised BLACK+DECKER Service Centre in order to avoid a hazard.
- ◆ Electric safety can be further improved by using a high sensitivity 30 mA Residual Current Device (RCD).

Using an extension cable

Always use an approved extension cable suitable for the power input of this tool (see technical data). The extension cable must be suitable for outdoor use and marked accordingly. Up to 30 m of 1.5 mm² HO5V V-F extension cable can

be used without loss of product performance. Before use, inspect the extension cable for signs of damage, wear and ageing. Replace the extension cable if damaged or defective. When using a cable reel, always unwind the cable completely.

Labels on appliance

The following warning symbols are found on the appliance along with the date code:



Read the manual prior to operation.



Wear safety glasses or goggles when operating this appliance.



Wear suitable ear protectors when operating this appliance.



Always remove the plug from the mains before cleaning or maintenance. Be careful not to use your appliance if the cable is damaged.



Disconnect the mains plug if the cord becomes damaged or entangled.



Beware of flying objects. Keep bystanders away from the cutting area.



Do not expose the appliance to rain or high humidity.



Directive 2000/14/EC guaranteed sound power.

Features

This appliance includes some or all of the following features.

1. On / Off Switch
2. Blower Tube

To fit the blower tube (fig. A)

- ◆ Attach the blower tube (2) to the blower main body by placing the tabs (2b) into the recesses (2a). To remove the blower tube, depress the tabs (2a) and pull apart.

Switching on and off

Warning! Use both hands to grip the product firmly when switching on.

Warning! Do not point unit discharge at self or bystanders.

- ◆ To switch the sweeper on, slide the on/off switch forward as shown B.
- ◆ To switch the sweeper off, slide the on/off switch back.

Operation

Warning! Always wear safety glasses. Wear a filter mask if the operation is dusty. Use of gloves, long pants and substantial footwear is recommended. Keep long hair and loose clothing away from openings and moving parts. THIS SWEEPER IS FOR HOUSEHOLD USE ONLY.

- ◆ Hold the sweeper with one hand as shown in Figure C and sweep from side to side with the nozzle several inches above the ground. Slowly advance keeping the accumulated pile of debris in front of you.

Troubleshooting

Problem	Possible solution
Failure to operate	Check the connection to the power supply
	Check the fuse in the plug, if blown, replace (UK only).
	Check that the blower tube assembly is correctly fitted to the powerhead.
	If the fuse continues to blow - immediately disconnect from the mains power supply and consult your local BLACK+DECKER authorised repair agent.

Protecting the environment



Separate collection. Products and batteries marked with this symbol must not be disposed of with normal household waste.

Products and batteries contain materials that can be recovered or recycled reducing the demand for raw materials. Please recycle electrical products and batteries according to local provisions.

Technical data

		BEBL185
Input Voltage	V_{AC}	230
Power Input	W	1850
Air speed	Km/h	225
Air flow	m ³ /min	12.7
Weight	kg	2.49

Hand/arm weighted vibration value according to
EN 50636-2-100: = 2.9 m/s², uncertainty (K) = 1,5 m/s².
L_w (sound pressure) 89.5 dB(A) uncertainty (K) = 1.2 dB(A)

EC declaration of conformity
MACHINERY DIRECTIVE
OUTDOOR NOISE DIRECTIVE



BEBL185 blower

Black & Decker declares that these products described under
"technical data" are in compliance with:

2006/42/EC, EN 60335-1: 2012+A11:2014;
EN 50636-2-100:2014

2000/14/EC, Blower, Annex V

DEKRA Certification B.V., Meander 1051/P.O. Box 5185
6825MJ ARNEM / 6802ED ARNHEM Netherlands Notified
Body ID No.: 0344

Level of acoustic power according to 2000/14/EC
(Article 13, Annex III):

L_{WA} (measured sound power) 99.0 dB(A)
Uncertainty = 1.0 dB(A)

L_{WA} (guaranteed sound power) 100 dB(A)

These products also comply with Directive 2014/30/EU,
2011/65/EU.

For more information, please contact Black & Decker at the
following address or refer to the back of the manual.

The undersigned is responsible for compilation of the technical
file and makes this declaration on behalf of Black & Decker.

R. Laverick
Director of Engineering
Black & Decker Europe, 210 Bath Road, Slough,
Berkshire, SL1 3YD
United Kingdom
21/08/2018

Guarantee

Black & Decker is confident of the quality of its products and offers consumers a 24 month guarantee from the date of purchase. This guarantee is in addition to and in no way prejudices your statutory rights. The guarantee is valid within the territories of the Member States of the European Union and the European Free Trade Area.

To claim on the guarantee, the claim must be in accordance with Black & Decker Terms and Conditions and you will need to submit proof of purchase to the seller or an authorised repair agent. Terms and conditions of the Black & Decker 2 year guarantee and the location of your nearest authorised repair agent can be obtained on the Internet at www.2helpU.com, or by contacting your local Black & Decker office at the address indicated in this manual.

Please visit our website www.blackanddecker.co.uk to register your new Black & Decker product and receive updates on new products and special offers.

Назначение

Ваш садовый воздуходув BLACK+DECKER BEBL185 предназначен для уборки садового мусора. Инструмент предназначен только для бытового использования.

Правила техники безопасности

Осторожно! Для снижения риска возникновения пожара, поражения электрическим током, получения травм и материального ущерба при использовании инструментов с питанием от сети/от аккумуляторной батареи нужно обязательно соблюдать основные меры предосторожности, включая следующее.

- ◆ Прежде чем приступить к работе с инструментом, внимательно прочтите настоящее руководство.
- ◆ В данном руководстве описано предусмотренное применение. Использование каких-либо принадлежностей или насадок, а также выполнение каких-либо операций, отличных от рекомендованных в данном руководстве, может привести к травмам.
- ◆ Сохраните данное руководство для справки в будущем.

Использование инструмента

Сохраняйте бдительность при использовании инструмента.

- ◆ При работе всегда надевайте защитные очки.
- ◆ Не разрешайте пользоваться этим инструментом детям, людям с ограниченными физическими и психическими возможностями

или тем, у кого нет опыта работы с такого рода инструментами.

Действующее законодательство может ограничивать возраст оператора. Не используйте инструмент, если рядом присутствуют посторонние, особенно дети, или домашние животные.

- ◆ Не позволяйте детям или животным находиться поблизости от места выполнения работ или прикасаться к кабелю питания.
- ◆ При работе рядом с детьми необходимо особое внимание.
- ◆ Данный инструмент не предназначен для использования несовершеннолетними или лицами с ограниченными возможностями, если они не находятся под присмотром.
- ◆ Инструмент не предназначен для игры.
- ◆ Используйте инструмент только днем или при хорошем искусственном освещении.
- ◆ Использовать только в сухом месте. Не допускайте попадания влаги в инструмент.
- ◆ Избегайте работы с инструментом в плохих погодных условиях, особенно при риске удара молнии.
- ◆ Не погружайте инструмент в воду.
- ◆ Запрещается вскрывать корпус. Внутри инструмента нет деталей, обслуживаемых пользователем.
- ◆ Не используйте инструмент во

взрывоопасной среде, например, при наличии горючих жидкостей, газов или пыли.

- ◆ Инструмент предназначен для использования только с источником питания, поставляемым вместе с инструментом.

Остаточные риски.

При работе данным инструментом возможно возникновение дополнительных остаточных рисков, которые не вошли в описанные здесь правила техники безопасности. Эти риски могут возникнуть при неправильном или продолжительном использовании изделия и т.п. Несмотря на соблюдение соответствующих инструкций по технике безопасности и использование предохранительных устройств, некоторые остаточные риски невозможно полностью исключить.

К ним относятся:

- ◆ Травмы в результате касания вращающихся/движущихся частей.
- ◆ Травмы, которые могут произойти в результате смены деталей, лезвий или дополнительных принадлежностей.
- ◆ Травмы, связанные с продолжительным использованием инструмента. При использовании любого инструмента в течение продолжительного периода времени не забывайте делать перерывы.
- ◆ Ухудшение слуха.
- ◆ Угроза здоровью, связанная

с вдыханием пыли, которая образуется при использовании этого инструмента (например, при работе с деревом, особенно дубом, березой и МДФ.)

Эксплуатация инструмента и уход за ним

- ◆ Перед началом использования, проверьте инструмент на наличие поврежденных или неисправных деталей. Проверьте наличие сломанных деталей, поврежденных переключателей, а также прочих условий, способных повлиять на его работу.
- ◆ Не используйте инструмент, если не работает его выключатель. Любое устройство, которым невозможно управлять с помощью выключателя, представляет опасность и подлежит ремонту.
- ◆ Перед выполнением любых настроек, сменой аксессуаров или прежде чем убрать инструмент на хранение, отключите его от сети и/или снимите с него аккумулятор. Такие превентивные меры безопасности снижают риск случайного включения инструмента.
- ◆ Где это применимо, режущий инструмент необходимо содержать в остро заточенном и чистом состоянии. Вероятность заклинивания инструмента, за которым следят должным образом и который хорошо заточен,

значительно меньше, а работать с ним легче.

- ◆ Не используйте инструмент, если какая-либо его деталь повреждена или неисправна.
- ◆ Поврежденные или неисправные детали должен исправить или заменить уполномоченный специалист по ремонту.
- ◆ Не пытайтесь снимать или заменять какие-либо компоненты, отличные от указанных в данном руководстве.

Электробезопасность

- ◆ Сетевая вилка инструмента должна соответствовать розетке. Никогда не меняйте вилку инструмента. Не используйте переходники к вилкам для устройств с заземлением. Использование оригинальных штепсельных вилок, соответствующих типу сетевой розетки, снижает риск поражения электрическим током.
- ◆ Не оставляйте инструмент под дождем и в местах повышенной влажности. При попадании воды в инструмент риск поражения электротоком возрастает.
- ◆ Берегите кабель от повреждений. Никогда не используйте кабель для переноски инструмента, не тяните за него, пытайтесь отключить инструмент от сети. Держите кабель подальше от источников тепла, масла, острых углов или движущихся предметов.
Поврежденный или запутанный

кабель питания повышает риск поражения электротоком.

- ◆ При работе инструментом на открытом воздухе используйте удлинитель, подходящий для использования на улице. Использование кабеля питания, предназначенного для использования вне помещения, снижает риск поражения электрическим током.
- ◆ При работе инструментом в условиях повышенной влажности недопустимо, используйте устройства защитного отключения (УЗО) для защиты сети. Использование УЗО сокращает риск поражения электрическим током.

После использования

- ◆ Если инструмент не используется, его нужно хранить в сухом, хорошо вентилируемом помещении, недоступном для детей.
- ◆ Дети не должны иметь доступа к помещенным на хранение инструментам.
- ◆ Если инструмент хранится или транспортируется в транспортном средстве, его нужно поместить в багажник или закрепить во избежание перемещения в результате резкого изменения скорости или направления движения.

Проверка и ремонт

- ◆ Перед началом использования, проверьте инструмент на наличие

поврежденных или неисправных деталей. Проверьте наличие сломанных деталей и прочих условий, способных повлиять на его работу.

- ◆ Не используйте инструмент, если какая-либо его деталь повреждена или неисправна.
- ◆ Поврежденные или неисправные детали должен исправить или заменить уполномоченный специалист по ремонту.
- ◆ Не пытайтесь снимать или заменять какие-либо компоненты, отличные от указанных в данном руководстве.

Дополнительные меры безопасности при работе с садовыми воздуходувами

В данном руководстве описано предусмотренное применение. Применение любых принадлежностей и приспособлений с данным инструментом, а также выполнение любых операций помимо тех, которые рекомендованы данным руководством, может привести к травмам и/или материальному ущербу.

- ◆ Всегда носите рабочую обувь и длинные брюки для защиты ног при работе с инструментом.
- ◆ Всегда выключайте инструмент, дожидаясь полной остановки встроенного измельчителя и извлекайте аккумулятор, если:
- ◆ Изделие осталось без присмотра.
 - ◆ Необходимо устранить засорение.
 - ◆ Проводится проверка,

регулировка, чистка или обслуживание изделия.

- ◆ Изделие издает ненормальные вибрации.
- ◆ Во время работы садовым воздуходувом никогда не подносите впускное или выпускное отверстие инструмента близко к глазам или ушам. Не сдувайте мусор в сторону окружающих.
- ◆ Не используйте и не оставляйте на открытом воздухе во время дождя.
- ◆ Не пересекайте гравийные тропки или дорожки, если изделие включено. Перемещайтесь только шагом и никогда не бегите с инструментом.
- ◆ Не опускайте включенный инструмент на гравий.
- ◆ Всегда сохраняйте устойчивое положение, особенно на уклонах. Не пытайтесь дотянуться до удаленных поверхностей и всегда сохраняйте равновесие.
- ◆ Не вставляйте никакие предметы в отверстия инструмента. Не используйте инструмент, если отверстия забиты – держите их чистыми от волос, пуха, пыли и любых предметов, которые могут уменьшить поток воздуха.

Вибрация

Заявленные значения вибрации, указанные в технических спецификациях и заявлении о соответствии, были измерены в соответствии со стандартным

методом тестирования EN50636 и пригодны для сравнения инструментов. Заявленное значение эмиссии вибрации также может использоваться при предварительной оценке ее воздействия.

Осторожно! Значение эмиссии вибрации в каждом конкретном случае применения электроинструмента может отличаться от заявленного в зависимости от того, каким образом используется инструмент. Уровень вибрации может быть выше заявленного.

При оценке степени вибрационного воздействия для определения необходимых защитных мер, предусмотренных 2002/44/ЕС для людей, использующих в процессе работы электроинструменты, необходимо принимать во внимание действительные условия использования электроинструмента, учитывая все составляющие рабочего цикла, в том числе время, когда инструмент находится в выключенном состоянии, и время, когда он работает без нагрузки, а также время его запуска и отключения.

Осторожно! Всегда применяйте изделие способом, указанным в данном руководстве.

Ваше изделие предназначено для использования в вертикальном положении, в противном случае возможно получение травм.

Не запускайте инструмент, если он лежит на боку или вверх ногами.

- ♦ Оператор или пользователь несет ответственность за несчастные случаи или опасности, создаваемые другим лицам или их собственности.
- ♦ Не используйте растворители или чистящие жидкости для чистки изделия. Используйте тупой скребок для удаления травы и грязи.
- ♦ Регулярно проверяйте мусоросборник на предмет износа или повреждений.
- ♦ Запасные измельчители можно приобрести через сервисных агентов Black & Decker. Используйте с рекомендованными Black & Decker запасными частями и дополнительными принадлежностями.
- ♦ Поддерживайте все гайки и винты в затянутом состоянии, чтобы обеспечить безопасную работу инструмента.

Безопасность окружающих

- ♦ Данный инструмент не предназначен для использования лицами (включая детей) с ограниченными физическими, сенсорными или ментальными возможностями, а также лицами без достаточного опыта и знаний, если только они не делают этого под руководством лица имеющего соответствующий опыт и отвечающего за их безопасность.
- ♦ Не позволяйте детям играть с данным инструментом.

Электробезопасность



Ваш инструмент имеет двойную изоляцию, поэтому заземления не требуется. Следите за напряжением электрической сети, оно должно соответствовать величине, обозначенной на информационной табличке инструмента.

- ◆ Если поврежден кабель питания, его нужно заменить у производителя или в официальном сервисном центре BLACK+DECKER, чтобы избежать рисков.
- ◆ Электробезопасность можно повысить путем применения высокочувствительного устройства защитного отключения (УЗО) 30 МА.

Использование удлинительного кабеля

Всегда используйте только утвержденные удлинительные кабели, рассчитанные на потребляемую мощность данного инструмента (см. Раздел «Технические характеристики»). Удлинительный кабель должен быть пригоден для использования вне помещений и промаркирован соответствующим образом. Без потери производительности изделия можно использовать до 30 м 1,5 мм² удлинительного кабеля HO5V V-F. Перед использованием проверьте удлинительный кабель на наличие повреждений, износа или старения.

Замените удлинительный кабель, если он поврежден или неисправен. При использовании кабельного барабана всегда полностью разматывайте кабель.

Маркировка инструмента

Помимо кода даты на инструменте имеются следующие предупреждающие символы:



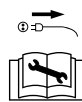
Прочтите руководство по эксплуатации перед работой с инструментом.



При работе с инструментом надевайте защитные очки или маску.



При работе с инструментом надевайте наушники.



Перед очисткой или техническим обслуживанием обязательно отключайте вилку кабеля питания от розетки.

Соблюдайте осторожность и не используйте инструмент, если кабель поврежден.



Если кабель поврежден или запутался во время работы, извлеките штекер из сетевой розетки.



Остерегайтесь летящих предметов. Не допускайте присутствия посторонних лиц в области кошения.



Не подвергайте инструмент воздействию дождя или высокой влажности.



Гарантированная звуковая мощность по директиве 2000/14/ЕС.

Составные части

Ваш инструмент может содержать все или некоторые из перечисленных ниже составных частей.

1. Пусковой выключатель
2. Воздуходувная труба

Установка воздуходувной трубы (Рис. А)

- ◆ Установите воздуходувную трубу (2) на корпус воздуходува, совместив язычки (2b) с пазами (2a). Чтобы снять воздуходувную трубу, нажмите на язычки (2a) и стяните трубу с инструмента.

Включение и выключение

Осторожно! При включении крепко удерживайте инструмент обеими руками.

Осторожно! Не направляйте инструмент на себя или посторонних лиц.

- ◆ Для включения воздуходува переместите выключатель вперед, как показано на Рисунке В.
- ◆ Для выключения воздуходува переместите выключатель назад.

Эксплуатация

Осторожно! Всегда надевайте защитные очки.

Надевайте защитную маску, если работа поднимает много пыли. Рекомендуется надевать защитные перчатки, длинные брюки и прочную обувь. Держите длинные волосы и свободную одежду подальше от отверстий и движущихся частей. ДАННЫЙ САДОВЫЙ ВОЗДУХОДУВ ПРЕДНАЗНАЧЕН ТОЛЬКО ДЛЯ БЫТОВОГО ИСПОЛЬЗОВАНИЯ.

- ◆ Удерживайте садовый воздуховод одной рукой, как показано на Рисунке С, и с небольшой амплитудой покачивайте воздуховодной трубой из стороны в сторону над очищаемой поверхностью. Медленно двигайтесь вперед, собирая мусор перед собой.

Неисправности и способы их устранения

Неисправность	Возможное решение
Инструмент не функционирует	Проверьте подключение к сети
	Проверьте предохранитель в вилке и замените его при необходимости (только для Соединенного Королевства).
	Убедитесь, что узел воздуховодной трубы правильно подсоединен к силовому блоку.
	Если предохранитель продолжает перегорать, то немедленно отключите инструмент от сети и свяжитесь с местным уполномоченным специалистом BLACK+DECKER по ремонту.

Защита окружающей среды

Отдельная утилизация. Изделия и аккумуляторные батареи с данным символом на маркировке запрещается утилизировать с обычными бытовыми отходами.

Изделия и аккумуляторные батареи содержат материалы, которые могут быть извлечены или переработаны, снижая потребность в исходном сырье. Пожалуйста, утилизируйте электрические изделия и аккумуляторные батареи в соответствии с местными нормами.

Технические характеристики

		BEBL185
Входное напряжение	V <small>перемен. ток</small>	230
Потребляемая мощность	Вт	1850
Скорость потока воздуха	Км/ч	225
Расход воздуха	м³/мин	12,7
Вес	кг	2,49

Вибрационная нагрузка на руку/плечо в соответствии с EN 50636-2-100: = 2,9 м/с, погрешность (К) = 1,5 м/с².
L_п (звуковое давление) 89,5 дБ(А)
погрешность (К) = 1,2 дБ(А)

**Заявление о соответствии нормам ЕС
ДИРЕКТИВА ПО МЕХАНИЧЕСКОМУ ОБОРУДОВАНИЮ
ДИРЕКТИВА ПО ШУМАМ, ПРОИЗВОДИМЫМ ВНЕ
ПОМЕЩЕНИЙ**

**BEBL185 садовый воздуховод**

Black & Decker заявляет, что продукция, описанная в разделе «Технические характеристики» соответствует: 2006/42/EC, EN 60335-1: 2012+A11:2014; EN 50636-2-100:2014 2000/14/EC, Воздуховод, Приложение V DEKRA Certification B.V., Meander 1051/P.O. Box 5185 6825MJ ARNEM / 6802ED ARNHEM, Нидерланды. Идентификационный № уполномоченного органа: 0344

Уровень акустической мощности в соответствии с директивой 2000/14/EC (Статья 13, Приложение III):

L_{WA} (измеренная акустическая мощность) 99,0 дБ(А),
Погрешность = 1,0 дБ(А)

L_{WA} (гарантированная акустическая мощность) 100 дБ (А)
Эти продукты также соответствуют Директивам 2014/30/EU, 2011/65/EU.

За дополнительной информацией обращайтесь в компанию Black & Decker по адресу, указанному ниже или приведенному на задней стороне обложки руководства.

Нижеподписавшийся несет ответственность за составление технической документации и составил данную декларацию по поручению компании Black & Decker.



Р. Лейверик (R. Laverick)
Директор инженерного отдела
Black & Decker Europe, 210 Bath Road, Slough,
Berkshire, SL1 3YD
United Kingdom
21.08.2018

Гарантия

Компания Black & Decker с уверенностью в качестве своей продукции предлагает клиентам гарантию на 24 месяцев с момента покупки. Данная гарантия является дополнительной и ни в коей мере не направлена на ущемление Ваших юридических прав. Гарантия действует на территории стран-участниц ЕС и в Европейской зоне свободной торговли.

Чтобы подать заявку по гарантии, заявка должна соответствовать положениям и условиям Black & Decker; кроме того, Вам потребуется предъявить продавцу или авторизованному специалисту по ремонту подтверждение покупки. Положения и условия 2-летней гарантии Black & Decker и местонахождение ближайшего авторизованного специалиста по ремонту можно узнать через Интернет по адресу www.2helpU.com, или связавшись с местным представительством Black & Decker по адресу, указанному в данном руководстве.

Посетите наш веб-сайт www.blackanddecker.co.uk, чтобы зарегистрировать свое новое изделие Black & Decker и получать информацию о новинках и специальных предложениях.



Приложение к руководству по эксплуатации электрооборудования для определения месяца производства по номеру текущей календарной недели года

Электрооборудование торговых марок "Dewalt", "Stanley", "Stanley FatMAX", "BLACK+DECKER".

Директивы 2014/30/EU ЕВРОПЕЙСКОГО ПАРЛАМЕНТА И СОВЕТА от 26 февраля 2014 г. "О гармонизации законодательства Государств-членов ЕС в области электромагнитной совместимости", 2006/42/ЕС ЕВРОПЕЙСКОГО ПАРЛАМЕНТА И СОВЕТА от 17 мая 2006 г. "О машинах и оборудовании"; 2014/35/EU ЕВРОПЕЙСКОГО ПАРЛАМЕНТА И СОВЕТА от 26 февраля 2014 г. "О гармонизации законодательства государств-членов в области размещения на рынке электрооборудования, предназначенного для использования в определенных пределах напряжения".
Серийный выпуск.

ТОВАР СЕРТИФИЦИРОВАН

Орган по сертификации "РОСТЕСТ- Москва", Адрес: 119049, г. Москва, улица Житная, д. 14, стр. 1; 117418, Москва, Нахимовский просп., 31 (фактический), Телефон: (499) 1292311, (495) 6682893, Факс: (495) 6682893, E-mail: office@rostest.ru
Изготовитель: Изготовитель: Блэк энд Деккер Холдингс ГмбХ, Германия, 65510, Идштайн, ул. Блэк энд Деккер, 40, тел. +496126212790.

Уполномоченное изготовителем юр.лицо:

ООО "Стэтли Блэк энд Деккер", 117485, город Москва, улица Обручева, дом 30/1, строение 2
Телефон: + 7 (495) 258-3981, факс: + 7 (495) 258-3984, E-mail: inbox@dewalt.com
Сведения о импортере указаны в сопроводительной документации и/или на упаковке

Хранение.

Необходимо хранить в сухом месте, вдали от источников повышенных температур и воздействия солнечных лучей. При хранении необходимо избегать резкого перепада температур. Хранение без упаковки не допускается

Срок службы.

Срок службы изделия составляет 5 лет. Не рекомендуется к эксплуатации по истечении 5 лет хранения с даты изготовления без предварительной проверки.

Дата изготовления (код даты) указана на корпусе инструмента. Код даты, который также включает год изготовления, отштампован на поверхности корпуса изделия.

Пример:

2014 46 XX, где 2014 –год изготовления, 46-неделя изготовления. Определить месяц изготовления по указанной неделе изготовления можно согласно приведенной ниже таблице.

Транспортировка.

Категорически не допускается падение и любые механические воздействия на упаковку при транспортировке. При разгрузке/погрузке не допускается использование любого вида техники, работающей по принципу зажима упаковки.

Перечень критических отказов, возможные ошибочные действия персонала.

Не допускается эксплуатация изделия:

- При появлении дыма из корпуса изделия
- При поврежденном и/или оголенном сетевом кабеле
- при повреждении корпуса изделия, защитного кожуха, рукоятки
- при попадании жидкости в корпус
- при возникновении сильной вибрации
- при возникновении сильного искрения внутри корпуса

Критерии предельных состояний.

- При поврежденном и/или оголенном сетевом кабеле
- при повреждении корпуса изделия

Месяц	Январь	Февраль	Март	Апрель	Май	Июнь	Июль	Август	Сентябрь	Октябрь	Ноябрь	Декабрь	Год производства
Неделя	1	5	9	14	18	23	27	31	36	40	44	49	2018
	2	6	10	15	19	24	28	32	37	41	45	50	
	3	7	11	16	20	25	29	33	38	42	46	51	
	4	8	12	17	21	26	30	34	39	43	47	52	
Неделя			13		22			35			48		2019
	1	6	10	14	18	23	27	31	36	40	45	49	
	2	7	11	15	19	24	28	32	37	41	46	50	
	3	8	12	16	20	25	29	33	38	42	47	51	
	4	9	13	17	21	26	30	34	39	43	48	52	
Неделя					22			35		44			2020
	1	6	10	14	19	23	27	32	36	40	45	49	
	2	7	11	15	20	24	28	33	37	41	46	50	
	3	8	12	16	21	25	29	34	38	42	47	51	
	4	9	13	17	22	26	30	35	39	43	48	52	
Неделя				18			31			44			2021
	2	6	10	14	19	23	27	32	36	41	45	49	
	3	7	11	15	20	24	28	33	37	42	46	50	
	4	8	12	16	21	25	29	34	38	43	47	51	
	5	9	13	17	22	26	30	35	39	44	48	52	
Неделя				18			31		40			1	2022
	2	6	10	15	19	23	28	32	36	41	45	49	
	3	7	11	16	20	24	29	33	37	42	46	50	
	4	8	12	17	21	25	30	34	38	43	47	51	
	5	9	13	18	22	26	31	35	39	44	48	52	
Неделя			14			27			40			1	2022



**BLACK+
DECKER**

ГАРАНТИЙНЫЙ ТАЛОН

**2 ГОДА
ГАРАНТИИ**

1. Поздравляем Вас с покупкой высококачественного изделия Black+Decker и выражаем признательность за Ваш выбор.
2. При покупке изделия требуйте проверки его комплектности и исправности в Вашем присутствии, инструкцию по эксплуатации и заполненный Гарантийный талон на русском языке. В гарантийном талоне должны быть внесены: модель, дата продажи, серийный номер, дата производства инструмента; название, печать и подпись торговой организации. При отсутствии у Вас правильно заполненного Гарантийного талона, а также несоответствия указанных в нем данных, мы будем вынуждены отклонить Ваши претензии по качеству данного изделия.
3. Во избежание недоразумений, убедительно просим Вас перед началом работы с изделием внимательно ознакомиться с инструкцией по его эксплуатации. Правовой основой настоящих гарантийных условий является действующее Законодательство. Гарантийный срок на данное изделие составляет 24 месяцев и исчисляется со дня продажи. В случае устранения недостатков изделия, гарантийный срок продлевается на период его нахождения в ремонте. Срок службы изделия составляет 5 лет со дня продажи.
4. В случае возникновения каких-либо проблем в процессе эксплуатации изделия рекомендуем Вам обращаться только в уполномоченные сервисные центры Black+Decker, адреса и телефоны которых Вы сможете найти на сайте www.2helpU.com или узнать в магазине. Наши сервисные станции - это не только квалифицированный ремонт, но и широкий ассортимент запчастей и принадлежностей.
5. Производитель рекомендует проводить периодическую проверку и техническое обслуживание изделия в уполномоченных сервисных центрах.
6. Наши гарантийные обязательства распространяются только на неисправности, выявленные в течение гарантийного срока и вызванные дефектами производства и / или материалов.
7. Гарантийные условия не распространяются на неисправности изделия, возникшие в результате:
 - 7.1. Несоблюдения пользователем предписаний инструкции по эксплуатации изделия, применения изделия не по назначению, неправильном хранении, использования принадлежностей, расходных материалов и запчастей, не предусмотренных производителем.
 - 7.2. Механического повреждения (сколы, трещины и разрушения) внутренних и внешних деталей изделия, основных и вспомогательных рукояток, сетевого электрического кабеля, вызванного внешним ударным или любым иным воздействием.
 - 7.3. Попадания в вентиляционные отверстия и проникновение внутрь изделия посторонних предметов, материалов или веществ, не являющихся отходами, сопровождающими применение изделия по назначению, такими как: стружка, опилки, песок, и пр.
 - 7.4. Воздействия на изделие неблагоприятных атмосферных и иных внешних факторов, таких как дождь, снег, повышенная влажность, нагрев, агрессивные среды, несоответствие параметров питающей электросети, указанных на инструменте.
 - 7.5. Стихийного бедствия. Повреждение или утрата изделия, связанное с непредвиденными бедствиями, стихийными явлениями, в том числе вследствие действия непреодолимой силы (пожар, молния, потоп и другие природные явления), а также вследствие перепадов напряжения в электросети и других причин, которые находятся вне контроля производителя.
8. Гарантийные условия не распространяются:
 - 8.1. На инструменты, подвергавшиеся вскрытию, ремонту или модификации вне уполномоченного сервисного центра.
 - 8.2. На детали и узлы, имеющие следы естественного износа, такие как: приводные ремни и колеса, угольные щетки, смазка, подшипники, зубчатое зацепление редукторов, резиновые уплотнения, сальники, направляющие ролики, муфты сцепления, бойки, толкатели, стволы, и т.п.
 - 8.3. На сменные и расходные части: цанги, зажимные гайки и фланцы, фильтры, ножи, шлифовальные подошвы, цепи, звездочки, пильные шины, защитные кожухи, пилки, абразивы, пильные и абразивные диски, фрезы, сверла, буры и т.п.
 - 8.4. На неисправности, возникшие в результате перегрузки инструмента (как механической, так и электрической), повлекшей выход из строя одновременно двух и более деталей и узлов, таких как ротора и статора, обеих обмоток статора, ведомой и ведущей шестерни редуктора или других узлов и деталей. К безусловным признакам перегрузки изделия относятся, помимо прочего: появление цветов побежалости, деформация или оплавление деталей и узлов изделия, потемнение или облупливание изоляции проводов электродвигателя под воздействием высокой температуры.

Товар получен в исправном состоянии, без видимых повреждений, в полной комплектации, проверен в моем присутствии, претензий по качеству товара не имею. С условиями гарантийного обслуживания ознакомлен и согласен.

Ф. И. О. и подпись покупателя _____

Уважаемые клиенты, наша сеть авторизованных сервисных центров постоянно расширяется. Актуальную информацию об обслуживании в интересующем вас городе вы можете узнать на сайте

www.2helpU.com

Информация об инструменте

Наименование инструмента	
Модель	
Наименование продавца	
Дата продажи	

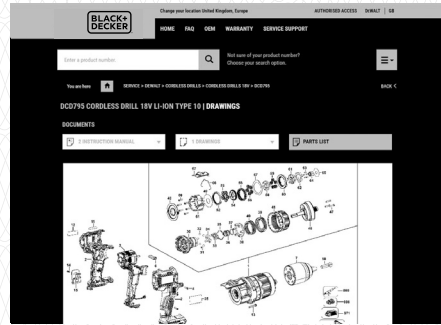
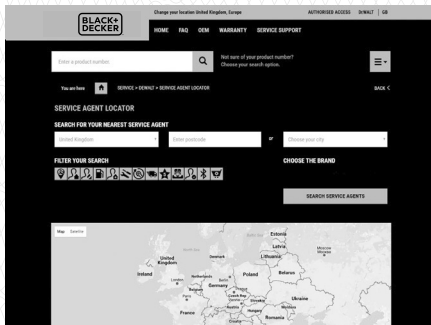
М.П.
Продавца

Серийный номер / Дата производства

Инструмент	
Зарядное устройство	
Аккумулятор 1	
Аккумулятор 2	

На сайте www.2helpU.com доступны следующие функции:

- Список авторизованных сервисных центров
- Удобный поиск ближайшего сервисного центра
- Руководство по эксплуатации
- Технические характеристики
- Список деталей и запасных частей
- Схема сборки инструмента



Также данную информацию вы можете получить, позвонив по телефону:

8(800) 1000 876

ОТМЕТКА О ПРОВЕДЕНИИ СЕРВИСНОГО ОБСЛУЖИВАНИЯ

№1	№2	№3	№4
№ заказа	№ заказа	№ заказа	№ заказа
Дата поступления	Дата поступления	Дата поступления	Дата поступления
Дата ремонта	Дата ремонта	Дата ремонта	Дата ремонта
Печать и подпись сервисного центра	Печать и подпись сервисного центра	Печать и подпись сервисного центра	Печать и подпись сервисного центра