

---

English

---

Italiano

---

Deutsch

---

Français

---

Nederlands

---

Español

---

Português

---

Ελληνικά

---

# Trimmer

## GL550/GL555/GL560

## User manual

### Congratulations!


Your purchase of this Black & Decker Reflex® grass trimmer and lawn edger assures you of years of problem free trimming. The Reflex® not only trims grass and edges the lawn, it also has a unique totally automatic line feed system. You do nothing - the Reflex® system means non-stop trimming; by the use of a simple mechanism it senses when the line has worn and, when needed, automatically feeds out line to its optimum cutting length. You just switch the unit on and trim.

### Description

Following is a list of the parts that will be mentioned in this instruction leaflet and are shown in the appropriate diagrams:

- 1 Body (1)  
Secondary handle (2)  
Supply cord restraint (3)  
Locking ring (4)  
Cutting line (5)  
Guard (6)  
Line trimming blade (7)  
Edge guide (9)  
Cable storage hooks (11)  
Hanging hole (18)  
Power inlet or supply cord (19)  
Switch handle (20)  
Trigger switch (21)  
Arrow (24)  
Skid (25)
- 2 Guard retaining lugs (10)  
Guard screw (22)  
Guard screw hole (23)
- 4 Spool cover (8)  
Spool housing (12)  
Spool cover tab (13)  
Eyelet (15)  
Spool (17)
- 5
- 6 Arrow (16)
- 7 Lever (14)

### Safety instructions

 Read all of this manual carefully, observing all the recommended safety instructions before, during and after using your machine. Maintain your machine in good working order.

Familiarise yourself with the controls on your machine before attempting to operate it, but above all, be sure you know how to stop your machine in an emergency.

Retain this manual and all other literature supplied with your machine for future reference.

#### Electrical connection

- Your machine is designed for use on AC (mains) electrical supplies only. Do not attempt to use on any other supply.
- Plug your machine into a power point, never in a light socket.
- Do not leave your machine unattended whilst it is connected to the electrical supply.
- Always switch off and remove the plug from the mains before cleaning, inspecting or adjusting any part of the trimmer, or if the supply cable has become damaged or entangled.



#### Power supply cord

- The power supply cord should be regularly inspected for signs of damage or ageing and only used if in good condition.
- Always keep the power supply cord away from the cutting line (5), be aware of its position at all times.
- Never carry your machine by the cord or jerk the cord to separate the connectors. Keep the cord away from heat, oils and sharp edges.
- Have damaged cords replaced completely by your nearest Black & Decker service centre. Do not attempt to do this yourself as the switch handle is not customer serviceable.

#### Cutting line

- Take care against injury from line trimming blade (7) during unpacking and assembly and any excess line which may be cut off when the trimmer is first operated.
- The cutting line (5) will continue to run for a short time after releasing the switch lever.

Under no circumstances should you attempt to stop the cutting line, always allow it to stop on its own.

- Never fit metal cutting line.

## Clothing



- Always wear safety glasses when using your machine.
- To protect your feet, always wear stout shoes or boots (not bare footed or wearing open sandals).
- Wear long trousers to protect your legs - any debris left on the lawn or cutting path may be picked up and ejected by the cutting line.

## Using your machine

- Always use your machine in the manner outlined in this manual. Your machine is designed to be used in an upright position and if it is used in any other way an injury may result.
- Before using your machine, disconnect it from the electrical supply and visually inspect the rotating parts for damage. Also, check that the spool assembly is secure.
- Always check that your lawn or cutting path is clear of all sticks, stones, wire and other debris. Contact with such debris may damage your machine.
- Keep your machine away from your feet and other parts of your body when switching on and during operation.
- Do not switch on your machine when it is upside down.
- Walk, never run with the unit.
- Do not use your machine in the rain and do not allow it to get wet.
- Use your machine only in daylight or good artificial light.
- Do not cross gravel paths or roads whilst the cutting line is rotating.
- Do not cut excessively steep slopes. Be sure of your footing and cut across the face of slopes, never up and down.
- Never use your machine with a damaged guard (6) or without the guard fixed in position.
- Be careful when trimming as freshly cut grass is damp and slippery.



## Safety of others

- Never allow children or persons who are unfamiliar with this type of machine to use it, nor anyone who has not read this leaflet.



- Do not allow children, animals or other adults near your machine when in use - always keep them well away from the cutting area.

## Care of your machine

- Store your machine in a dry place when not in use, out of the reach of children.
- Do not use solvents or cleaning fluids to clean your machine - use a blunt scraper to remove grass and dirt. Always disconnect from the electrical supply and ensure the cutting line (5) is stationary before cleaning.
- Do not operate your machine if any parts are defective.
- Do not attempt to remove any parts other than those mentioned in these instructions.
- Use only Black & Decker recommended replacement parts and accessories.

## Electrical safety

Your machine should always be switched off at the mains before disconnecting any plug and socket connector, extension cables or cordsets.

### Mains plug replacement (UK only)

Should your mains plug need replacing and you are competent to do this, proceed as instructed below. If you are in doubt, contact a Black & Decker service centre or a qualified electrician.

- Disconnect the plug from the supply.
- Cut off the plug and dispose of it safely. A plug with bared copper conductors is dangerous if engaged in a live socket outlet.
- Only fit 13 amp BS1363A approved plugs fitted with the correctly rated fuse.
- The cable wire colours, or a letter, will be marked at the connection points of most good quality plugs. Attach the wires to their respective points in the plug.
- Brown is L (live) and blue is N (neutral).
- Before replacing the top cover of the mains plug ensure that the cable restraint is holding the outer sheath of the cable firmly and that the two leads are correctly fixed at the terminal screws.



**Warning!** Never connect Live or Neutral wires to Earth pin marked 'E' or  $\perp$ .

### Fuse replacement (UK only)

Your machine is supplied with cable fitted with a non-wireable plug.

- The plug is fitted with a 5 amp fuse which is the recommended fuse for your machine.
- Only use replacement fuses which are approved to BS1362.
- When changing the fuse in your plug, always ensure the fuse cover is refitted. If the fuse cover is missing or damaged do not use the plug.

**Note:** Fuses do not give personal protection against electric shock. The recommended Black & Decker RCD is available from your nearest Black & Decker service centre.

Increased safety can be obtained by having a qualified electrician install a high sensitivity (30mA) circuit breaker in the house wiring. If you do not have such a circuit breaker installed, or you do not wish to have one installed, then we strongly recommend that the electrical power to the machine be supplied through a high sensitivity residual current device (RCD). The RCD is designed to provide a high degree of personal protection against harmful electric current should fault conditions occur.



**Warning!** The use of an RCD or other circuit breaker unit does not release the operator of the machine from the safety instructions and safe working practices given in this manual.

## Extension cables and cordsets

You can use up to 100 feet (30 metres) extension cord without undue loss of power. Extension cables and cordsets should comply with national regulations.

## Preparing the trimmer for use (Fig. 2)

- 2
  - Take the trimmer and the guard (6) out of the box.
  - Remove the guard screw (22) which is located on the base of the trimmer body (1) (Fig. 2.1).
  - Place the guard into the channel on the trimmer body.
  - Push the guard fully home until the guard is flush with the body (Fig. 2.2).
  - Replace the guard screw (Fig. 2.3).
  - If correctly assembled, the guard will now be secured to your trimmer.

- In transit, your trimmer is packed in 'Edging' mode, if you want to 'Trim' refer to the section 'How to convert between the trimming and edging mode'.
- In transit, the end of the cutting line (5) is taped to the side of the spool cover (8). Please discard the tape to release the length of line. There should be a minimum of 9cm (3.5") of cutting line protruding from the spool housing (12) before using your trimmer.

**Note:** When your machine is operated for the first time any excess line will be cut off by the line trimming blade (7) housed in the guard. This is also the case for any subsequent line adjustment. Because line cut off by the blade in the guard may be ejected, it is important that the amount of excess line is kept to a minimum. Where an excessive amount of line is pulled out, the line should be cut back to the outside of the guard before switching on your trimmer. Cut the line off on the trimmer blade by hand.

- Always ensure that the spool cover is secure before and after use.

## How to use your trimmer (Fig. A - K)

In order to get the most from your trimmer please be sure to follow the techniques shown. Do not be impatient; you will obtain the best results by experience and by following these simple rules.

**A**

Do not use your trimmer without its guard.

**B**

Do not cut wet grass; best results are achieved when the grass is dry.

### Trimming

- To switch on your trimmer, squeeze the trigger switch (21).
- To switch the unit off, release the trigger switch.
- To carry the trimmer when not in use, it is preferred that you use the secondary handle (2).

**C**

Cut at an angle and with the tip of the cutting line (5).

**D**

Swing the trimmer gently from side to side.

**E**

Do not overload the trimmer. It operates best at high speeds.

**F**

On long grass, start at the top.

**G**

Take small cuts.

**H**

Use the edge of the guard (6) to keep the trimmer away from hard surfaces and delicate items.

## Edging

Best results are achieved on edges greater than 50mm deep.

**Note:** Your trimmer is a maintenance tool for trimming overhanging grass and should not be used to create edges. Edges can be created using an edging spade.

With the skid (25) on the grass edge and the edge guide (9) hooked over the edge, pull the unit along while keeping the edge guide in contact with the lawn edge.

A closer cut can be achieved by angling the trimmer.

If your trimmer is suitable for use with a 'Detachable' extension cord, loop a length of cord through the cord restraint (3) to avoid the plug and socket coming apart accidentally if the cord is pulled.

## How to convert between the trimming and edging mode (Fig. 3)

In addition to conventional trimming (Fig. D), your trimmer can be used to trim overhanging grass along lawn edges and flower beds (Fig. J).

To convert your trimmer between the trimming and edging mode:

### Unlock

- With the trimmer switched off and the edge guide (9) resting on the ground, place one hand on the switch handle (20). Using your other hand, turn the locking ring (4) anti-clockwise, as far as it will go (approximately quarter of a turn) (Fig. 3.1).

### Convert

- While keeping hold of the switch handle, grasp the trimmer body (1) and rotate half a turn in the direction of the arrow (24), until the body 'clicks' into position (Fig. 3.2).

### Lock

- While still holding the switch handle, tighten the locking ring clockwise, using the other hand. Only light finger pressure is required to secure it (Fig. 3.3).

## Replacement line

A new spool containing 10 metres of cutting line (cat. no. A6481) may be purchased from your Black & Decker dealer. Alternatively, replacement line packs are available.

For maximum reliability, never put on a heavier or lighter line (e.g. fishing line) which will prevent the automatic feed from functioning, cause motor failure or reduce cutting performance.

## How to fit a new spool of cutting line (Fig. 4 & 5)

- Disconnect your trimmer from the power supply.
- Remove the spool cover by pushing the spool cover tabs (13) inwards and upwards (Fig. 4), then pull off (it is not necessary to push both tabs in at the same time). The empty spool can now be withdrawn from the drive shaft.
- Remove any dirt or grass that may have collected inside the spool housing (12) and cover (8).
- Unwind approximately 9cm (3.5") of cutting line (5) from the new spool (17). Feed the cutting line through the eyelet and then push the spool onto the centre drive shaft (Fig. 5). Rotate as necessary to fully seat the spool, taking care not to trap the cutting line underneath the spool and making sure that there is a minimum of 9cm (3.5") protruding from the spool housing.
- Replace the spool cover by aligning both tabs on it (13) with the slots in the spool housing and pushing them into place. Make sure that both tabs are securely located.

## How to wind new line onto an empty spool (Fig. 6 & 7)

- A maximum of 10 metres of new cutting line can be wound onto the empty spool. The spool has an 'Indicator' to help you avoid winding an excessive quantity of cutting line on the spool, as too much will prevent the automatic feed system from functioning (Fig. 6).
- Remove any remnant of old cutting line from the spool (17).
- Push the end of the new cutting line into one of the two holes provided in the spool (17) and insert 20mm.

- Bend the cutting line over, pulling it through the adjacent 'L' shaped slot. The cutting line should now be firmly anchored to the spool and you may proceed to wind it on in the direction of the arrows (16).
- Take time to wind the cutting line on neatly, in layers. Do not criss cross.
- When you have wound on sufficient cutting line, temporarily park it in one of the 'L' shaped slots to prevent the spool unravelling, ensuring you leave a minimum of 9cm (3.5") protruding.
- Fit the spool and spool cover (8) to the spool housing as described for fitting a new spool.

## Care and maintenance

- For best performance, please keep the cutting line, spool and air slots in the trimmer body clean. Use a dry brush or cloth to remove grass, sap or other dirt.
- Plastic parts may be cleaned by using a mild soap and a cloth dampened with hot water. Do not use any type of detergent, cleaner or solvent which might contain chemicals which could seriously damage the plastic. Do not spray your trimmer with water.
- Self lubricating bearings are used in your trimmer, therefore, lubrication is not required.

## Fault finding

### Before checking your trimmer for any faults, disconnect it from the mains.

- If the trimmer will not start, check that all power cords are properly connected. If this does not work, check your power point, finally (UK only) check the fuse and wiring on the extension cord plug.
- If the automatic line feed fails to operate, it could be for one of the following reasons:

#### Line too short or line jammed on spool

- Disconnect your trimmer from the power supply.
- Remove the spool cover (8) by pushing both tabs (13) inwards and upwards (Fig. 4).
- Lift the spool (17) approximately 6mm (1/4") from the spool housing (12), while pulling the cutting line (5). This will allow you to lengthen the line while clearing any line jammed inside the spool. Ensure there is a minimum of 9cm (3.5") protruding from the spool housing.
- Rotate the spool as necessary to fully seat the spool and replace the cover by aligning both tabs on the cover with the slots in the spool housing and push into place. Ensure that both tabs are securely located.

#### Line still jammed on spool

- Disconnect the power supply and remove the cover, as previously described.
- Lift out the spool (17) completely, holding the coiled cutting line in place to prevent it unravelling from the spool (Fig. 7).
- Carefully unwind the cutting line (5) from the spool until any crossed or trapped loops are cleared. Rewind the cutting line evenly, in the direction of the arrows (16) on the spool.
- Temporarily park the cutting line end in one of the 'L' shaped slots to prevent the spool unravelling. Ensure you leave a minimum of 9cm (3.5") protruding.
- Turn the lever (14) backwards and forwards to ensure it operates freely.
- Remove any dirt or grass that may have collected inside the spool housing and cover.
- Feed the end of the line through the eyelet and then push the spool into the centre drive shaft while pulling the free end of the line to release it from the 'L' shaped slot. To fully seat the spool, rotate as necessary, taking care not to trap the line underneath the spool, and making sure that there is a minimum of 9cm (3.5") of line protruding from the spool housing.
- Finally, replace the cover as previously described.

## Protecting the environment



Black & Decker provides a facility for recycling Black & Decker products once they have reached the end of their working life. This service is provided free of charge. To take advantage of this service please return your product to any authorised repair agent who will collect them on our behalf.

You can check the location of your nearest authorised repair agent by contacting your local Black & Decker office at the address indicated in this manual. Alternatively, a list of authorised Black & Decker repair agents and full details of our after-sales service and contacts are available on the Internet at: [www.2helpU.com](http://www.2helpU.com).

## Guarantee

Black & Decker is confident of the quality of its products and offers an outstanding guarantee. This guarantee statement is in addition to and in no way prejudices your statutory rights. The guarantee is valid within the territories of the Member States of the European Union and the European Free Trade Area.

If a Black & Decker product becomes defective due to faulty materials, workmanship or lack of conformity, within 24 months from the date of purchase, Black & Decker guarantees to replace defective parts, repair products subjected to fair wear and tear or replace such products to ensure minimum inconvenience to the customer unless:

- The product has been used for trade, professional or hire purposes;
- The product has been subjected to misuse or neglect;
- The product has sustained damage through foreign objects, substances or accidents;
- Repairs have been attempted by persons other than authorised repair agents or Black & Decker service staff.

To claim on the guarantee, you will need to submit proof of purchase to the seller or an authorised repair agent. You can check the location of your nearest authorised repair agent by contacting your local Black & Decker office at the address indicated in this manual. Alternatively, a list of authorised Black & Decker repair agents and full details of our after-sales service and contacts are available on the Internet at: [www.2helpU.com](http://www.2helpU.com).

## Other outdoor tools

Black & Decker has a full range of outdoor power tools that make life in the garden easy. If you would like further information on the following products, please contact our Service and Information Centre (see the address page towards the end of this manual) or your local Black & Decker retailer.

**String trimmers**

**Chainsaws**

**Cordless shear**

**Hedge trimmers**

**Lawnmowers**

**Lawnrakers**

**Leafbusters**

**Shredders**

Not all products are available in all countries.

### EC Declaration of conformity

#### GL550/GL555/GL560

Black & Decker declares that these tools conform to:

98/37/EC, 89/336/EEC, 73/23/EEC,  
EN 55014, EN 60335, EN 61000,

2000/14/EC, Lawn trimmer, L ≤ 50 cm

Annex VIII, No. 0086

B.S.I., HP2 4SQ, United Kingdom

Level of sound pressure, measured according to  
2000/14/EC:

$L_{pA}$	(sound pressure)	dB(A)	81
$L_{WA}$	(acoustic power)	dB(A)	94
$L_{WA}$	(guaranteed)	dB(A)	96

Hand/arm weighted vibration value according to  
EN 50144: 4 m/s<sup>2</sup>



Brian Cooke

Director of Engineering  
Spennymoor, County Durham DL16 6JG,  
United Kingdom  
1-12-2001

# Tagliaerba a Filo di Nylon

## GL550/GL555/GL560

## Istruzioni per l'uso

### Congratulazioni!

L'acquisto di questo tagliaerba a filo di nylon Black & Decker Reflex® vi assicura anni di bordatura e rifilatura senza problemi. Il Reflex® non solo taglia l'erba e borda il giardino, ma è dotato di un esclusivo sistema di alimentazione automatico del filo di taglio. Voi non dovete fare niente - il sistema Reflex® vi consente di lavorare senza interruzioni; un semplice meccanismo "sente" quando il filo si è consumato e, se necessario, provvede all'alimentazione automatica fino alla lunghezza corretta. Voi dovete solamente accendere l'utensile ed iniziare a lavorare.

### Descrizione

Vi elenchiamo di seguito le parti menzionate in questo manuale ed illustrate nelle apposite illustrazioni:

1. Corpo
2. Impugnatura secondaria
3. Serracavo
4. Anello bloccaggio
5. Filo di taglio
6. Difesa
7. Lama taglia filo
8. Copri spoletta
9. Guida
10. Bordi tenuta difesa
11. Ganci tenuta cavo
12. Sede spoletta
13. Linguetta copri-spoletta
14. Leva
15. Occhiello
16. Freccia
17. Spoletta
18. Foro per appendere il tagliaerba
19. Presa corrente o cavo
20. Impugnatura interruttore
21. Interruttore
22. Vite difesa
23. Foro per vite difesa
24. Freccia
25. Pattino

### Norme antinfortunistiche



Leggete attentamente tutte le istruzioni contenute in questo manuale prima e dopo aver utilizzato la macchina, rispettando le norme di sicurezza e seguendo le avvertenze per un suo corretto mantenimento.

Prima di utilizzare il tagliaerba, prendete confidenza con la posizione dei comandi ed assicuratevi di essere in grado di spegnere la macchina immediatamente in caso di emergenza.

Tenete con cura il presente manuale per qualsiasi futura necessità.

### Collegamento elettrico

- La vostra macchina è prevista per il collegamento ad una rete AC - non tentate di utilizzare alcuna altra fonte di energia elettrica.
- Non lasciate la macchina collegata in vostra assenza. Spegnetela e togliete la spina dalla presa.
- Spegnete sempre la macchina e rimuovete la spina prima di procedere ad ispezionare, pulire o regolare qualsiasi componente del rifilatore. Fate attenzione che il cavo non sia danneggiato o incastrato prima di riporre l'utensile.
- Spegnete la macchina e rimuovete la spina prima di ispezionare eventuali danni o malfunzionamenti, dopo avere colpito oggetti estranei e se la macchina comincia a vibrare troppo.



### Cavo elettrico

- Il cavo deve essere controllato regolarmente e utilizzato solo se in buone condizioni.
- Tenete sempre il cavo lontano dal filo di taglio - siate certi in ogni momento della sua posizione.
- Non trasportate mai l'utensile tenendolo per il cavo. Non estraete la spina tirando il cavo. Tenete il cavo lontano da fonti di calore, olii e bordi taglienti. Controllate sempre le condizioni del cavo prima dell'utilizzo e non usatelo se danneggiato.



- Fate sostituire i cavi danneggiati dal centro di assistenza Black & Decker più vicino. Non tentate mai di sostituirli da soli in quanto l'impugnatura interruttore non è accessibile all'operatore.
- Se dovesse rendersi necessario sostituire la spina stampata sul cavo d'alimentazione fatelo in modo sicuro. Montando una spina nuova non collegate nessuno dei due fili del cavo al terminale di terra.

## Filo di taglio

- Attenzione a non farvi male con la lama per il taglio del filo (7) durante lo sbalaggio ed il montaggio. Attenzione a pezzetti di filo in eccesso che potrebbero essere scagliati al primo utilizzo.
- Il filo continuerà a girare per un breve tempo dopo aver rilasciato l'interruttore. Non tentate mai di fermare il filo, lasciate che si arresti da solo.
- Non utilizzate mai fili metallici.

## Abbigliamento



- Portate sempre occhiali protettivi durante il lavoro.
- Portate sempre scarpe robuste e antidrucciolo. L'erba bagnata è molto scivolosa. (Non tagliate erba a piedi nudi o calzando sandali aperti.)
- Portate sempre pantaloni lunghi per proteggere le gambe - eventuali detriti sul percorso di tosatura potrebbero essere scagliati dalle lame.

## Utilizzo della vostra macchina

- Utilizzate sempre la macchina nel modo descritto da questo manuale. La macchina è prevista per un uso verticale, l'utilizzo in ogni altra posizione potrebbe causare ferimenti.
- Controllate sempre che la macchina sia in buone condizioni operative.
- Prima di usare la macchina, scollegate la spina e controllate che le parti mobili non siano danneggiate. Assicuratevi anche che la spoletta sia alloggiata correttamente.
- Controllate che il percorso di tosatura sia libero da bastoni, grosse pietre e altri detriti. Il contatto con tali detriti può danneggiare la macchina.
- Tenete sempre la macchina lontana dai vostri piedi e altre parti del vostro corpo durante l'accensione e l'utilizzo.



- Non accendete la macchina mentre è capovolta.
- Durante l'utilizzo camminate senza correre.
- Non usate la macchina sotto la pioggia e non lasciate che si bagni.
- Lavorate solo con la luce del giorno o in presenza di buona illuminazione artificiale.
- Non attraversate sentieri sassosi o strade asfaltate mentre la macchina è accesa ed il filo a contatto del terreno.
- Non lavorate su pendii eccessivamente ripidi. Fate attenzione al vostro equilibrio e lavorate sempre di traverso ai pendii, mai su e giù.
- Non utilizzate mai la macchina con difese danneggiate.
- Concentratevi durante il lavoro in quanto l'erba tagliata di fresco è umida e scivolosa.

## Sicurezza degli altri

- Non lasciate mai che bambini o persone non familiari con questo tipo di macchina, la utilizzino. Chiunque usi la macchina deve avere letto questo manuale.
- Non lasciate che bambini o animali o altre persone si avvicinino mentre lavorate. Teneteli sempre ad almeno 10 metri dalla zona che state tosando.
- Ricordate che il proprietario/utilizzatore è responsabile per eventuali incidenti ad altre persone o alla loro proprietà.



## Cura della macchina

- Riponete la macchina non in uso in un luogo asciutto e lontano dalla portata dei bambini.
- Non usate solventi o altri prodotti chimici per pulire la macchina. Usate uno scalpello non affilato per rimuovere la terra e l'erba. Prima di pulire la macchina scollegate sempre la spina.
- Non utilizzate la macchina con parti difettose. Sostituite sempre le parti difettose prima di lavorare.
- Non tentate di rimuovere parti diverse da quelle indicate in questo manuale.
- Usate solo parti ed accessori originali Black & Decker.

## Sicurezza elettrica

Spegner sempre la macchina prima di rimuovere la spina o scollegare eventuali prolunghe.

## Ulteriore sicurezza elettrica

Una maggiore protezione è ottenibile facendo installare da un elettricista qualificato un salvavita ad alta sensibilità. Questo vi garantirà una alta protezione da scariche elettriche.



**Attenzione!** Qualsiasi dispositivo di sicurezza non vi esclude dal rispetto delle più elementari norme di sicurezza di utilizzo specificate in questo manuale.



**Attenzione!** L'utilizzo di un qualsiasi sistema di protezione elettrica non dispensa l'operatore dal seguire le basilari norme antinfortunistiche descritte in questo manuale.

## Cavi di prolunga

Potete usare prolunghe fino a 30 metri utilizzando cavi Black & Decker a due poli, senza significative perdite di tensione.

## Preparazione del rifilatore per l'uso (Fig. 2)

2

- Rimuovete il tagliaerba e la difesa (6) dalla scatola.
- Rimuovete la vite fissaggio difesa (22) posta sulla base del corpo della macchina (1) (Fig. 2.1).
- Inserite la difesa nella apposita scanalatura sul corpo macchina
- Spingete la difesa fino ad arresto, prima da un lato fino a che la difesa sia a filo del corpo. Ripetete sull'altro lato (Fig. 2.2).
- Riavvitare le vite di fissaggio (Fig. 2.3).
- Se l'avrete montata correttamente, la difesa sarà ora fissata al corpo del tagliaerba.
- Per il trasporto, il tagliaerba, è imballato in posizione di "bordatura", se vorrete tagliare, andate alla sezione "Come passare dalla configurazione a bordatore alla configurazione a tagliaerba".
- Per il trasporto, la parte terminale del filo di taglio (5) viene fissata sul lato del coprispoletta (8). Dovrete solo scartarla per liberare completamente il filo. Ci deve essere un minimo di 9cm di filo sporgente dalla spoletta (12) prima di iniziare a lavorare.

**Nota:** Al primo utilizzo della macchina, il filo in eccedenza verrà tagliato dalla apposita lama (7) posta sulla difesa. Ciò avverrà anche ad ogni successiva regolazione del filo di taglio. E' importante che il filo in eccesso sia mantenuto al minimo in quanto i pezzi tagliati possono essere scagliati all'accensione. Nel caso estraeste una lunghezza eccessiva di filo, dovrete tagliarla fino al bordo esterno della difesa prima di accendere la macchina.

- Assicuratevi sempre che il copri-spoletta sia assicurato in posizione prima e dopo l'uso.

## Utilizzo del vostro tagliaerba (Fig. A - K)

Per ottenere le migliori prestazioni dal vostro utensile, vi consigliamo di seguire attentamente le tecniche mostrate in questo manuale. Non siate impazienti; i migliori risultati verranno con l'esperienza e seguendo queste semplici regole:

A

Non utilizzate l'utensile senza la difesa.

B

Non tagliate erba umida; i migliori risultati si ottengono quando l'erba è asciutta.

### Taglio

- Per accendere l'utensile, premete l'interruttore (21).
- Per spegnere l'utensile rilasciate l'interruttore.
- Per il trasporto della macchina non in uso, si consiglia di utilizzare l'impugnatura secondaria (2).

C

Tagliate tenendo l'utensile leggermente inclinato e utilizzando la punta del filo di taglio (5).

D

Fate oscillare dolcemente la macchina da un lato all'altro.

E

Non sovraccaricate la macchina. Lavora meglio ad alta velocità.

F

In caso di erba alta, iniziate dall'alto.

G

Eseguite tagli brevi.

H

Utilizzate il bordo della difesa (6) per tenere la macchina lontano da superfici dure e oggetti delicati.

### Bordatura

I migliori risultati si ottengono su bordi alti più di 50mm.

I

**Nota:** Il tagliaerba è un utensile di manutenzione previsto per tagliare l'erba in eccesso e non deve essere usato per creare bordi. I bordi possono essere creati utilizzando un apposito utensile.

**J** Tenendo il pattino (25) sul bordo dell'erba e con la guida per bordi (9) appoggiata sopra al bordo, tirate la macchina tenendo sempre la guida a contatto con il bordo del giardino.

Potrete ottenere un taglio piú preciso tenendo la macchina leggermente inclinata.

**K** Se il vostro tagliaerba è adatto all'uso con un cavo prolunga "staccabile", arrotolate parte del cavo attraverso il serracavo (3) per prevenire il distacco accidentale della spina dalla presa nel caso il cavo venisse tirato.

## Come passare dal modo refilatura al modo bordatura (Fig. 3)

Oltre alle normale operazioni di taglio (Fig. D) il vostro utensile può essere utilizzato per tagliare l'erba in eccesso sporgente da aiuole (Fig. J).

**3** Per convertire l'utensile tra una operazione e l'altra:

### Sbloccaggio

- Con l'utensile spento e la difesa (9) appoggiata al terreno, porre una mano sull'impugnatura (20). Usare l'altra mano per ruotare la ghiera (4) in senso anti-orario fino ad arresto (circa un quarto di giro) (Fig. 3.1).

### Conversione

- Sempre impugnando l'impugnatura afferrare il corpo dell'utensile (1) e ruotarlo di mezzo giro nel senso della freccia (24) fino a che non "scatti" in posizione (Fig. 3.2).

### Bloccaggio

- Sempre impugnando l'impugnatura stringete la ghiera in senso orario usando l'altra mano. E' sufficiente una leggera pressione per bloccarla (Fig. 3.3).

## Sostituzione filo di taglio

Potrete acquistare una nuova spoletta contenente 10 metri di filo di taglio (codice A6480) dal vostro rivenditore Black & Decker. In alternativa sono disponibili confezioni di filo contenenti ciascuna 15 metri (codice A6052) 30 metri (codice A6046) oppure 50 metri (codice A6054) di filo.

Per ottenere il massimo rendimento non utilizzate mai fili piú pesanti o piú leggeri (p.es. filo da pesca) i quali non consentiranno all'alimentazione automatica di funzionare correttamente e potrebbero causare danni al motore o ridurre le prestazioni di taglio.

## Come montare una nuova spoletta di filo di taglio (Fig. 4 & 5)

- 4**
- Scollegare l'utensile dalla rete elettrica.
  - Rimuovere il copri-spoletta spingendo le apposite linguette (13) verso l'interno e verso l'alto contemporaneamente (Fig. 4) poi estrarla (non è necessario agire su entrambe le linguette allo stesso tempo). La spoletta vuota può essere ora rimossa dall'albero.
  - Rimuovere le tracce di erba o terra che possono essersi accumulate all'interno della sede della spoletta (12) e del coperchio (8).
- 5**
- Svolgere circa 9 cm di filo (5) dalla spoletta nuova (17). Inserire il filo nell'occhiello e poi spingere la spoletta sull'albero centrale (fig. 5). Ruotare secondo necessità fino ad alloggiare correttamente la spoletta, facendo attenzione a non incastrare il filo sotto la spoletta ed assicurandosi che un minimo di 9cm di filo fuoriesca dalla spoletta stessa.
  - Rimontare il coperchio allineando le due linguette (13) con le due fessure sulla sede della spoletta e spingendole in posizione. Assicurarsi che entrambe le linguette siano saldamente in posizione.

## Come avvolgere del filo nuovo in una spoletta vuota (Fig. 6 & 7)

- 6**
- È possibile avvolgere un massimo di 10 metri di filo in una spoletta vuota. La spoletta è dotata di un "indicatore" che vi aiuta a non avvolgere filo in eccesso, in quanto questo potrebbe impedire il corretto funzionamento del sistema automatico di alimentazione (Fig. 6).
  - Rimuovere ogni resto del vecchio filo dalla spoletta (17).
  - Inserire il filo nuovo in uno dei due fori posti sulla sede della spoletta (17) per una lunghezza di 20mm.
  - Ripiegare il filo tirandolo attraverso l'adiacente fessura a "L". Il filo è ora saldamente ancorato alla spoletta ed è possibile procedere all'avvolgimento in direzione della freccia (16).
  - Abbiate la cura di avvolgere pazientemente il filo a livelli corretti e non intrecciati.

- Dopo aver avvolto filo a sufficienza, fissatene temporaneamente la parte terminale in una delle fessure a “L” per evitare che la spoletta di srotoli, assicurandovi di lasciarne sporgere almeno 9cm.
- Rimontate la spoletta ed il suo coperchio (8) come descritto nel paragrafo per le spolette nuove.

## Cura e manutenzione

- Per ottenere le migliori prestazioni vi preghiamo voler mantenere puliti la spoletta, il suo coperchio e le fessure di aerazione sul corpo dell'utensile. Usate una spazzola o un panno asciutti per rimuovere erba o altri residui.
- Le parti in plastica possono essere pulite usando un sapone neutro ed un panno inumidito con acqua calda. Non usate alcun tipo di detergente, solvente o sgrassatore che potrebbe contenere agenti chimici i quali possono danneggiare seriamente la plastica. Non spruzzate l'utensile con acqua.
- L'utensile è dotato di cuscinetti auto-lubrificanti, pertanto non è necessario lubrificarli.

## Ricerca di malfunzioni

**Prima di effettuare qualsiasi intervento sul vostro utensile, scollegate la spina dalla presa elettrica.**

- Se l'utensile non si accende controllare che tutti i cavi siano correttamente collegati. Se l'utensile non parte lo stesso, controllate le vostre prese di corrente e poi controllate i collegamenti del vostro cavo di prolunga ed il connettore femmina.
- Se l'alimentazione automatica del filo non funziona, potrebbe trattarsi di uno dei casi seguenti:

### Filo troppo corto o filo incastrato nella spoletta

- Scollegate la spina dalla presa elettrica.
- Togliete il coperchio della spoletta (8) spingendo e sollevando le due linguette (Fig. 4).
- Sollevate la spoletta (17) di circa 6mm dalla sua sede (12) mentre tirate il filo (5). Questo vi consentirà di allungare il filo contemporaneamente liberandolo se fosse incastrato sotto la spoletta. Assicuratevi che un minimo di 9cm di filo sporga dalla sede della spoletta.
- Ruotate la spoletta secondo necessità per alloggiarla correttamente e rimontate il coperchio allineando entrambe le linguette con le scanalature sul corpo e spingendole in posizione. Assicuratevi che entrambe le linguette siano saldamente posizionate.

## Il filo è sempre incastrato nella spoletta

- Scollegate la spina dalla presa elettrica
- Rimuovete completamente la spoletta (17) tenendo fermo il filo arrotolato per evitare che si srotoli dalla spoletta (Fig. 7).
- Svolgete lentamente il filo (5) dalla spoletta fino a che non libererete ogni punto incastrato. Riavvolgete con cura il filo seguendo la direzione delle frecce (16) sulla spoletta.
- Fermate temporaneamente il filo in una delle fessure a “L” per evitare che si srotoli. Assicuratevi che un minimo di 9 cm di filo sporga dalla spoletta.
- Ruotate la leva (14) avanti ed indietro per assicurarvi che si muova liberamente.
- Rimuovete erba o sporco che possa essersi accumulato nella sede della spoletta e nel coperchio.
- Inserite il filo nell'occhiello e spingete la spoletta sull'albero centrale tirando contemporaneamente il filo per liberarlo dalla fessura a “L”. Ruotate secondo necessità la spoletta per alloggiarla correttamente sull'albero, facendo attenzione a non incastrare il filo sotto la spoletta ed assicurandovi che un minimo di 9cm di filo sporga dalla sede della spoletta.
- Infine rimontate il coperchio come descritto in precedenza.

## Protezione dell'ambiente



Black & Decker offre ai suoi clienti la possibilità di riciclare i prodotti Black & Decker che hanno esaurito la loro vita di servizio. Il servizio viene offerto gratuitamente. Per utilizzarlo, è sufficiente restituire il prodotto a qualsiasi tecnico autorizzato, incaricato della raccolta per conto dell'azienda.

Per individuare il tecnico autorizzato più vicino, rivolgersi alla sede Black & Decker locale, presso il recapito indicato nel presente manuale. Altrimenti un elenco completo di tutti i tecnici autorizzati Black & Decker e i dettagli completi sui contatti e i servizi post-vendita sono disponibili su Internet presso: [www.2helpU.com](http://www.2helpU.com).

## Garanzia

Certa della qualità dei suoi prodotti, Black & Decker offre una garanzia eccezionale. Il presente certificato di garanzia è complementare ai diritti statutari e non li pregiudica in alcun modo. La garanzia è valida entro il territorio degli Stati membri dell'Unione Europea e dell'EFTA (European Free Trade Area).

Se un prodotto Black & Decker risulta difettoso per qualità del materiale, della costruzione o per mancata conformità entro 24 mesi dalla data di acquisto, Black & Decker garantisce la sostituzione delle parti difettose, provvede alla riparazione dei prodotti se ragionevolmente usurati oppure alla loro sostituzione, in modo da ridurre al minimo il disagio del cliente a meno che:

- Il prodotto non sia stato destinato ad usi commerciali, professionali o al noleggio;
- Il prodotto non sia stato usato in modo improprio o scorretto;
- Il prodotto non abbia subito danni causati da oggetti o sostanze estranee oppure incidenti;
- Il prodotto non abbia subito tentativi di riparazione non effettuati da tecnici autorizzati né dall'assistenza Black & Decker.

Per attivare la garanzia è necessario esibire la prova comprovante l'acquisto al venditore o al tecnico autorizzato. Per individuare il tecnico autorizzato più vicino, rivolgersi alla sede Black & Decker locale, presso il recapito indicato nel presente manuale. Altrimenti un elenco completo di tutti i tecnici autorizzati Black & Decker e i dettagli completi sui contatti e i servizi post-vendita sono disponibili su Internet presso: [www.2helpU.com](http://www.2helpU.com).

## Altri utensili di giardinaggio

La Black & Decker ha una gamma completa di utensili per il giardinaggio che rende semplice la vita in giardino. Se desiderate ulteriori informazioni sui seguenti prodotti, vi preghiamo di contattare il nostro Centro D'Informazione e Manutenzione (vedere la pagina degli indirizzi alla fine di questo libretto d'istruzioni) od il vostro rivenditore Black & Decker

**Tosatori a lame o a catena**

**Motoseghe**

**Scope elettriche**

**Tosasiepi a batteria**

**Tagliasiepi a batteria**

**Tosasiepi**

**Tosaerba**

**Rastrelli**

**Sramatori**

**Biotrituratori**

Non tutti i prodotti sono disponibili in tutti i paesi.

### Dichiarazione CE di conformità

#### GL550/GL555/GL560

Black & Decker dichiara che questi utensili sono stati costruiti in conformità a:

98/37/CEE, 89/336/CEE, 73/23/CEE,  
EN 55014, EN 60335, EN 61000,

2000/14/CEE, tosatore, L ≤ 50 cm

Annex VIII, No. 0086

B.S.I., HP2 4SQ, Regno Unito

Livello di rumorosità, dati ricavati in base alla norma 2000/14/CEE:

$L_{pA}$	(rumorosità)	dB(A)	81
$L_{WA}$	(potenza sonora)	dB(A)	94
$L_{WA}$	(garantito)	dB(A)	96

Il valore medio quadratico ponderato dell'accelerazione secondo EN 50144: 4 m/s<sup>2</sup>



Brian Cooke

Direttore di Ricerca e Sviluppo  
Spennymoor, County Durham DL16 6JG,  
United Kingdom  
1-12-2001

# Rasentrimmer GL550/GL555/GL560

## Bedienungsanleitung

### Herzlichen Glückwunsch!

Mit dem Kauf Ihres Black & Decker Reflex® Rasentrimmers und Kantenschneiders sind Ihnen lange Jahre problemlosen Rasentrimmens sicher. Der Reflex®-Trimmer schneidet nicht nur die Kanten Ihres Rasens, sondern besitzt auch ein einzigartiges, vollautomatisches Fadenverlängerungssystem. Das bedeutet für Sie: Rasentrimmen ohne Unterbrechung. Das Reflex®-System reagiert sofort, wenn der Schnittfaden zu kurz geworden ist und verlängert ihn auf die optimale Arbeitslänge. Sie brauchen nur das Gerät einzuschalten und den Rasen zu trimmen.

### Beschreibung

Nachfolgend finden Sie eine Liste der Teile aufgeführt, deren Begriffe in dieser Bedienungsanleitung verwendet und in den entsprechenden Abbildungen gezeigt werden:

1. Gehäuse
2. Zweithandgriff
3. Kabelzugentlastung
4. Sperring
5. Schnittfaden
6. Schutzhaube
7. Schneidklinge für den Schnittfaden
8. Spulenabdeckung
9. Kantenführung
10. Halteösen der Schutzhaube
11. Haken zur Aufbewahrung des Kabels
12. Spulengehäuse
13. Spulenabdeckungsflächen
14. Hebel
15. Öse
16. Pfeil
17. Spule
18. Aufhängeöse
19. Kabelanschluß
20. Schaltermgriff
21. Betriebsschalter
22. Schraube für Schutzhaubenbefestigung
23. Loch für die Schutzhaubenschraube
24. Pfeil
25. Gleitkufe

### Sicherheitsmaßnahmen



Lesen Sie diese Bedienungsanleitung bitte sorgfältig durch und führen vor, während und nach dem Gebrauch Ihrer Maschine sämtliche empfohlenen Sicherheitsmaßnahmen durch. Achten Sie darauf, daß Ihr Rasentrimmer immer in einem guten gebrauchsfähigen Zustand erhalten wird.

Machen Sie sich mit Ihrer Maschine vertraut, bevor Sie damit umgehen, und sorgen Sie insbesondere dafür, daß Sie wissen, wie das Gerät im Notfall auszuschalten ist.

Bewahren Sie diese Bedienungsanleitung und sämtliche andere mit Ihrem Rasentrimmer mitgelieferte Literatur für zukünftigen Gebrauch sorgfältig auf.

### Elektrische Verbindungen

- Ihre Maschine wurde für den ausschließlichen Betrieb mit Netzstrom (Wechselstrom) hergestellt. Versuchen Sie nicht, das Gerät mit einer anderen Stromquelle zu betreiben.
- Schließen Sie Ihr Gerät immer an eine Netzstromsteckdose an.
- Lassen Sie Ihr Gerät nicht unbeaufsichtigt, solange es an das Stromnetz angeschlossen ist.
- Schalten Sie den Rasentrimmer immer aus und ziehen den Stecker aus der Steckdose bevor Sie ihn reinigen, untersuchen oder irgendein Teil einstellen. Das gilt ebenso für den Fall, daß das Stromkabel beschädigt wurde oder sich verwickelt hat.



### Stromkabel

- Das Stromkabel sollte in regelmäßigen Abständen auf Anzeichen von Beschädigungen oder Abnutzungserscheinungen untersucht werden und nur verwendet werden, wenn es sich in einem einwandfreien Zustand befindet.
- Halten Sie das Stromkabel immer in einem ausreichenden Sicherheitsabstand von dem Schnittfaden (5) entfernt, und achten Sie immer auf seine jeweilige Position.

- Ziehen Sie nicht am Kabel, um den Stecker herauszuziehen. Achten Sie darauf, daß das Kabel nicht zu nahe an eine Hitzequelle, an Öl oder an eine scharfe Kante gerät.

## Schnittfaden

- Schützen Sie sich während des Auspackens und des Zusammenbaus vor Verletzungen durch die Schneidklinge des Schnittfadens (7) und eventuell vorhandenem, überschüssigen Schnittfaden, der bei der ersten Inbetriebnahme des Rasentrimmers abgeschnitten wird.
- Der Schnittfaden (5) wird nach Loslassen des Betriebsschalters noch für eine kurzen Moment weiterlaufen. Unter keinen Umständen sollten Sie versuchen, den Schnittfaden anzuhalten; lassen Sie ihn immer aus eigenem Antrieb auslaufen.
- Setzen Sie unter keinen Umständen einen Schnittfaden aus Metall ein.



## Bekleidung

- Tragen Sie beim Betrieb Ihrer Maschine immer eine Schutzbrille.
- Um Ihre Füße zu schützen sollten Sie stabile Schuhe oder Stiefel tragen (nicht barfuß gehen oder offene Sandalen tragen).
- Tragen Sie lange Hosen, um Ihre Beine zu schützen - Gartenabfälle, die auf dem Rasen oder auf dem Mähpfad liegengeblieben sind, werden unter Umständen von dem Schnittfaden aufgegriffen und herausgeschleudert.

## Betrieb Ihrer Maschine

- Setzen Sie Ihren Rasentrimmer immer in der in dieser Gebrauchsanleitung beschriebenen Weise ein. Ihr Rasentrimmer ist für den Gebrauch in aufrechter Stellung gedacht. Wird er in einer anderen Position verwendet besteht Verletzungsgefahr.
- Bevor Sie Ihr Gerät in Betrieb nehmen, sollten Sie den Netzstecker ziehen und die rotierenden Teile auf Beschädigungen usw. untersuchen. Überprüfen Sie auch, ob die Spule sicher befestigt ist.
- Vergewissern Sie sich immer, daß Ihre Rasenfläche oder Ihr Mähpfad von Stöcken, Steinen, Drähten und anderen Abfällen freigeräumt ist. Der Kontakt mit solchen Abfällen kann zu einer Beschädigung Ihres Rasentrimmers führen.



- Achten Sie beim Anschalten und während des Betriebs Ihres Gartengerätes auf einen ausreichenden Sicherheitsabstand von Ihren Füßen und anderen Körperteilen.
- Schalten Sie Ihr Gerät nicht an, wenn es auf dem Kopf steht.
- Gehen Sie immer im Schritt mit dem Rasentrimmer, betreiben Sie ihn niemals im Laufen.
- Setzen Sie Ihr Gerät nicht bei Regen ein, und lassen Sie es nicht feucht werden.
- Verwenden Sie Ihren Rasentrimmer nur bei Tageslicht oder bei guter künstlicher Beleuchtung.
- Überqueren Sie keine Kieswege oder Straßen solange sich der Schnittfaden in Bewegung befindet.
- Mähen Sie keine extrem steilen Abhänge. Seien Sie sicher, daß Sie einen sicheren Halt haben, und mähen Sie Abhänge quer zur Richtung des Abhangs, niemals auf und ab.
- Verwenden Sie Ihren Rasentrimmer niemals mit einer beschädigten Schutzvorrichtung (6) oder wenn sich die Schutzvorrichtung nicht in Position befindet.
- Seien Sie beim Rasentrimmen vorsichtig, da frisch gemähtes Gras feucht und rutschig ist.

## Die Sicherheit anderer

- Lassen Sie niemals Kinder oder Personen, die mit dieser Art von Gartengerät nicht vertraut sind, Ihren Rasentrimmer bedienen. Das gilt ebenso für Personen, die diese Gebrauchsanleitung nicht gelesen haben.
- Lassen Sie Kinder, Tiere oder andere Erwachsene nicht in die Nähe der Maschine, wenn sich diese im Gebrauch befindet - achten Sie immer auf einen ausreichenden Sicherheitsabstand vom Mähbereich.



## Pflege Ihrer Maschine

- Bewahren Sie Ihr Gartengerät an einem trockenen Ort, außer Reichweite von Kindern, auf wenn es nicht im Gebrauch ist.



- Verwenden Sie keine Lösungsmittel oder Reinigungslösungen, um Ihre Maschine zu reinigen - verwenden Sie einen stumpfen Schaber um Gras und Schmutz zu entfernen. Unterbrechen Sie immer zuerst die Stromzufuhr und achten darauf, daß sich der Schnitffaden (5) nicht mehr bewegt, bevor Sie mit der Reinigung beginnen.
- Betreiben Sie Ihren Rasentrimmer nicht, falls irgendein Teil beschädigt ist.
- Versuchen Sie nicht irgendwelche Teile, mit der Ausnahme der in dieser Gebrauchsanleitung angesprochenen, zu entfernen.
- Verwenden Sie nur von Black & Decker empfohlene Ersatzteile und Zubehör.

im Absatz "Weschsel von Trimmen zu Kantenschneiden" nach.

- Während des Transports ist das Ende des Schnitffadens (5) an der Seite der Spulenabdeckung (8) befestigt. Entfernen Sie das Klebeband, um das Ende des Schnitffadens freizugeben. Es sollten mindestens 9cm des Schnitffadens aus dem Spulengehäuse (12) heraus schauen, bevor Sie Ihren Rasentrimmer in Betrieb nehmen.

**Hinweis:** Wenn Ihre Maschine zum ersten Mal in Betrieb genommen wird, wird das eventuell überstehende überschüssige Ende des Schnitffadens von der Schneidklinge für den Schnitffaden (7), die in der Schutzhaube eingebettet ist, abgeschnitten. Da das Schnitffadenende, herausgeschleudert werden kann, ist es ratsam, ein Überstehen des Fadens über den Schutzhaubenrand zu vermeiden.

- Achten Sie immer darauf, daß die Spulenabdeckung vor und nach dem Gebrauch sicher befestigt ist.

## Elektrische Sicherheit

Eine erhöhte Sicherheit gewährleistet Ihnen eine Fehlerstrom (FI) - Sicherung am Stromanschluß, mit einer Abschaltleistung von nicht mehr als 30mA, die allerdings von einem qualifizierten Elektriker installiert werden sollte.



**Achtung!** Eine FI - Sicherung oder andere Stromkreisunterbrecher ersetzen keinesfalls die vorher beschriebenen Sicherheitsanweisungen für die Bedienung Ihres Rasentrimmers.

## Vorbereitung des Rasentrimmers für den Gebrauch (Abb. 2)

2

- Nehmen Sie den Rasentrimmer und die Schutzhaube (6) aus der Schachtel.
- Entfernen Sie die Schraube der Schutzhaube (22), die sich auf der Unterseite des Rasentrimmergehäuses (1) befindet (Abb. 2.1).
- Schieben Sie die Schutzhaube in die Führungsrille auf dem Rasentrimmergehäuse.
- Schieben Sie den Schutzschirm, zunächst auf der einen Seite, bis zum Anschlag hinein, bis er bündig mit dem Gehäuse abschließt. Wiederholen Sie den Vorgang für die andere Seite (Abb. 2.2).
- Setzen Sie die Schraube der Schutzvorrichtung wieder ein (Abb. 2.3).
- Wenn sie korrekt eingebaut wurde, ist die Schutzvorrichtung jetzt fest an Ihrem Rasentrimmer montiert.
- Für den Transport wird Ihr Rasentrimmer im 'Kanten' Modus verpackt. Falls Sie im 'Trim' Modus arbeiten wollen, lesen Sie

## Einsatz Ihres Rasentrimmers (Abb. A - K)

Um die höchste Leistung von Ihrem Rasentrimmer zu erhalten, sollten Sie bitte den folgenden Anweisungen folgen. Seien Sie nicht ungeduldig; Sie erzielen die besten Ergebnisse mit wachsender Erfahrung und durch die Befolgung dieser einfachen Regeln.

A

Verwenden Sie Ihren Rasentrimmer nicht ohne die Schutzvorrichtung.

B

Mähen Sie nicht, wenn das Gras naß ist. Die besten Ergebnisse erzielen Sie bei trockenem Gras.

### Trimmen

- Um Ihren Rasentrimmer anzuschalten, drücken Sie den Betriebsschalter (21).
- Um das Gerät auszuschalten, lassen Sie den Betriebsschalter wieder los.
- Verwenden Sie vorzugsweise den zweiten Griff (2), um den Rasentrimmer zu tragen, wenn er nicht im Gebrauch ist.

C

Mähen Sie immer in einem Winkel und mit der Spitze des Schnitffadens (5)

D

Bewegen Sie den Rasentrimmer gleichmäßig von einer Seite zur anderen.

E

Überlasten Sie den Rasentrimmer nicht. Er arbeitet am wirkungsvollsten bei einer hohen Geschwindigkeit.

F

Fangen Sie bei langem Gras an der Spitze an.

G

Mähen Sie kurze Stücke ab.



**H** Nutzen Sie den Rand der Schutzhaube (6), als Führung an Randsteinen o.ä., um einen unnötigen Fadenverschieß zu vermeiden.

## Kanten beschneiden

Die besten Ergebnisse erzielen Sie an Kanten, die tiefer als 50 mm sind.

**Hinweis:** Ihr Rasentrimmer ist als Kantenschneider geeignet, überstehendes Gras z.B. an Übergängen zwischen Rasenflächen und Beeten zu schneiden, nicht aber, die Kante selbst zu formen. Dies muß mit einem Spaten geschehen.

Setzen Sie den Trimmer auf die Gleitkufe und die Kantenführung an den Rand der Rasenkante und ziehen Sie den Trimmer, immer dicht an der Kante bleibend, über den Rasen.

## Kabelzugentlastung

Um zu verhindern, daß sich das Verlängerungskabel versehentlich aus dem Stecker am Gerät löst, müssen Sie ein Stück des Kabels in einer Schlinge durch die Kabelhalterung ziehen.

## Wechsel von Trimmen zu Kantenschneiden (Abb. 3)

Zusätzlich zu dem konventionellen Mähen (Abb. D), kann Ihr Rasentrimmer auch dazu verwendet werden, um überstehendes Gras an den Rasenrändern und Blumenbeeten zu mähen (Abb. J).

**3** Um Ihren Rasentrimmer zwischen dem Trimm- und dem Kanten-Modus hin und her zu schalten:

### Sperrung lösen

- Schalten Sie den Rasentrimmer aus und setzen die Kantenführung (9) auf den Boden auf. Ergreifen Sie jetzt mit einer Hand den Schaltergriff (20). Drehen Sie mit der anderen Hand den Sperring (4) gegen den Uhrzeigersinn bis zum Anschlag (ungefähr eine viertel Drehung weit) (Abb. 3.1).

### Wechslen

- Ergreifen Sie das Rasentrimmergehäuse (1) und drehen es eine halbe Drehung in Pfeilrichtung (24) weiter, bis das Gehäuse in der neuen Stellung 'einschnappt' (Abb. 3.2). Halten Sie dabei den Schaltergriff fest.

### Sperrung feststellen

- Halten Sie weiterhin den Schaltergriff fest und ziehen gleichzeitig mit der anderen Hand den Sperring im Uhrzeigersinn wieder fest. Sie brauchen nur wenig Druck anzuwenden, um den Ring festzuziehen (Abb. 3.3).

## Ersatzschnitffaden

Sie können von Ihrem Black & Decker Händler eine neue Spule mit 10 Meter Schnitffaden (Kat. Nr. A6481) kaufen. Wahlweise ist der Faden auch lose, ohne Spule in 15m (Kat.Nr. A6052) 30m (Kat.Nr. A6046) oder 50m Länge (Kat.Nr. A6054) erhältlich.

Um ein Höchstmaß an Zuverlässigkeit zu erhalten sollten Sie nie einen schwereren oder leichteren Schnitffaden (z.B. Angelrutenschnur) verwenden, der die automatische Fadenverlängerung verhindern, zu einem Ausfall des Motors führen oder die Mähleistung beeinträchtigen kann.

## Einsetzen einer neuen Spule mit Schnitffaden (Abb. 4 & 5)

- Unterbrechen Sie die Stromzufuhr zu Ihrem Rasentrimmer.
- 4** • Entfernen Sie die Abdeckung der Spule, indem Sie die Spulenabdeckungs-laschen (13) nach innen und nach oben drücken (Abb. 4), und die Abdeckung anschließend herunterziehen (es ist nicht notwendig, beide Laschen gleichzeitig zu drücken). Die leere Spule kann jetzt von der Antriebswelle heruntergezogen werden.
- Entfernen Sie eventuelle Gras- oder Schmutzrückstände, die sich unter Umständen innerhalb des Spulengehäuses (12) und der Abdeckung (8) angesammelt haben.
- 5** • Wickeln Sie ungefähr 9cm des Schnitffadens (5) von der neuen Spule (17) ab. Führen Sie den Schnitffaden durch die Öse und schieben anschließend die Spule auf die mittlere Antriebswelle (Abb. 5). Drehen Sie die Spule nach Bedarf hin und her, um sie korrekt einzusetzen. Achten Sie dabei darauf, daß sich der Schnitffaden nicht unter der Spule einklemmt und sorgen Sie dafür, daß mindestens 9cm des Schnitffadenendes aus dem Spulengehäuse heraus-schauen.
- Setzen Sie abschließend die Abdeckung wieder auf, indem Sie die beiden Laschen (13) auf die Schlitz in dem Spulengehäuse einrichten und sie anschließend hineinschieben. Achten Sie darauf, daß beide Laschen gut fest-sitzen.

## Wickeln eines Schnitfadens auf eine leere Spule (Abb. 6 & 7)

6

- Sie können einen neuen Schnitfaden von höchstens 10 Meter Länge auf eine leere Spule aufwickeln. Die Spule hat einen 'Anzeiger', damit Sie nicht versehentlich zuviel Schnitfaden auf die Spule aufwickeln, da dadurch das automatische Fadenverlängerungssystem in seiner Funktion beeinträchtigt werden würde (Abb. 6).
- Entfernen Sie eventuelle Überreste des alten Schnitfadens von der Spule (17).
- Schieben Sie das Ende des neuen Schnitfadens in eines der beiden Löcher, die sich in dem Spulengehäuse (17) befinden und führen Sie es 20mm ein.
- Knicken Sie den Schnitfaden so, daß er durch den danebenliegenden 'L' - förmigen Schlitz gezogen werden kann. Der Schnitfaden sollte jetzt fest an der Spule verankert sein, und Sie können jetzt mit dem Aufwickeln in Pfeilrichtung (16) beginnen.
- Nehmen Sie sich mit dem Aufwickeln des Schnitfadens in sauberen Lagen Zeit. Wickeln Sie den Faden nicht über Kreuz.
- Sobald Sie eine ausreichende Menge an Schnitfaden aufgewickelt haben, legen Sie ihn vorübergehend in eine der 'L' - förmigen Schlitz, um zu verhindern, daß sich die Spule wieder abwickelt. Achten Sie darauf, daß dabei mindestens 9cm des Schnitfadens heraus schauen.
- Setzen Sie die Spule und die Spulenabdeckung (8), in der Art in der es beim Einsetzen einer neuen Spule beschrieben ist, wieder auf das Spulengehäuse auf.

## Pflege und Wartung

- Um die beste Leistung zu erzielen, sollten Sie den Schnitfaden, die Spule und die Luftschlitz im Gehäuse des Rasentrimmers sauber halten. Entfernen Sie Gras, Pflanzensaft oder anderen Schmutz mit einer trockenen Bürste oder einem trockenen Tuch.
- Kunststoffteile können mit einer milden Seife und einem mit heißem Wasser befeuchteten Tuch gereinigt werden. Verwenden Sie kein Waschmittel, Reiniger oder Lösungsmittel, das unter Umständen Chemikalien enthält, die den Kunststoff ernsthaft beschädigen können. Spritzen Sie Ihren Rasentrimmer nicht mit Wasser ab.

- Ihr Rasentrimmer ist mit selbst schmierenden Lagern ausgerüstet, so daß Sie keine Teile schmieren müssen

## Fehlersuche

**Bevor Sie Ihren Rasentrimmer auf eventuelle Fehler untersuchen, müssen Sie die Stromzufuhr unterbrechen.**

- Läßt sich der Rasentrimmer nicht starten, überprüfen Sie ob alle Stromkabel richtig angeschlossen sind. Läßt sich der Fehler damit nicht beheben, müssen Sie die Steckdose überprüfen und anschließend die Sicherung und die Verdrahtung im Stecker und in der Steckdose des Verlängerungskabels prüfen.
- Falls die automatische Fadenverlängerung nicht funktioniert, kann eine der folgenden Gründe die Ursache sein:

### Faden ist zu kurz oder hat in auf der Spule verklemmt

- Unterbrechen Sie die Stromzufuhr zu Ihrem Rasentrimmers.
- Entfernen Sie die Spulenabdeckung (8), indem Sie die Spulenabdeckungs laschen (13) nach innen und nach oben drücken (Abb. 4).
- Heben Sie die Spule (17) ungefähr 6 mm aus dem Spulengehäuse (12) heraus, und ziehen gleichzeitig am Schnitfaden (5). Dadurch können Sie den Schnitfaden verlängern und gleichzeitig eine eventuelle Blockierung innerhalb der Spule lösen. Achten Sie darauf, daß mindestens 9 cm des Schnitfadens aus dem Spulengehäuse heraus schauen.
- Um die Spule wieder einzusetzen, wird sie nach Bedarf hin und her gedreht. Setzen Sie die Abdeckung wieder auf, indem Sie beide Laschen auf der Abdeckung auf die Schlitz in dem Spulengehäuse einrichten und bis zum Anschlag einschieben. Achten Sie darauf, daß beide Laschen gut festsitzen.

### Schnitfaden ist weiterhin in der Spule verklemmt

- Unterbrechen Sie die Stromzufuhr und entfernen, wie bereits an früherer Stelle beschrieben, die Abdeckung.
- Ziehen Sie die Spule (17) vollständig heraus und halten den aufgewickelten Faden dabei gut fest, damit er sich nicht von der Spule abwickelt (Abb. 7).

- Wickeln Sie den Schnitffaden (5) vorsichtig solange von der Spule, bis alle überkreuzten oder feststehenden Schlingen wieder frei sind. Wickeln Sie den Schnitffaden anschließend gleichmäßig, in Richtung der Pfeile (16) auf der Spule, wieder auf.
- Legen Sie das Ende des Schnitffadens vorübergehend in eine der 'L' -förmigen Schlitze um zu verhindern, daß sich die Spule abwickelt. Achten Sie darauf, daß dabei mindestens 9cm heraussehen.
- Drehen Sie den Hebel (14) rückwärts und vorwärts um sicherzugehen, daß er sich problemlos bewegt.
- Entfernen Sie eventuelle Gras- oder Schmutzrückstände, die sich unter Umständen innerhalb der Spulengehäuses und der Abdeckung angesammelt haben.
- Schieben Sie das Ende des Schnitffadens durch die Öse und schieben anschließend die Spule auf die mittlere Antriebswelle. Ziehen Sie gleichzeitig das Ende des Schnitffadens, um den Schnitffaden aus dem 'L' -förmigen Schlitz zu lösen. Um die Spule korrekt einzusetzen, muß sie nach Bedarf hin und her gedreht werden. Achten Sie dabei darauf, daß sich der Schnitffaden nicht unter der Spule einklemmt und sorgen Sie dafür, daß mindestens 9cm des Schnitffadenendes aus dem Spulengehäuse heraussehen.
- Setzen Sie abschließend die Abdeckung, wie an früherer Stelle bereits beschrieben, wieder auf.

## Umweltschutz



Black & Decker nimmt Ihre ausgedienten Black & Decker Geräte gern zurück und sorgt für eine umweltfreundliche Entsorgung. Diese Dienstleistung ist für Sie kostenlos. Um diese Dienstleistung in Anspruch zu nehmen, geben Sie das Gerät bitte bei einer autorisierten Reparaturwerkstatt ab, die für uns die Einsammlung übernimmt.

Die Adresse des zuständigen Büros von Black & Decker finden Sie in dieser Anleitung, darüber läßt sich die nächstgelegene Vertragswerkstatt ermitteln. Außerdem ist eine Liste der Vertragswerkstätten und aller Kundendienststellen von Black & Decker sowie der zuständigen Ansprechpartner im Internet zu finden unter: **[www.2helpU.com](http://www.2helpU.com)**.

## Garantie

Black & Decker vertraut auf die Qualität der eigenen Geräte und bietet dem Käufer eine außergewöhnliche Garantie. Diese Garantiezusage versteht sich unbeschadet der gesetzlichen Gewährleistungsansprüche und schränkt diese keinesfalls ein. Sie gilt in sämtlichen Mitgliedsstaaten der Europäischen Union und der Europäischen Freihandelszone EFTA.

Tritt innerhalb von 24 Monaten ab Kaufdatum an einem Gerät von Black & Decker ein auf Material- oder Verarbeitungsfehler zurückzuführender Mangel auf, garantiert Black & Decker den Austausch defekter Teile, die Reparatur von Geräten mit üblichem Verschleiß bzw. den Austausch eines mangelhaften Geräts, ohne den Kunden dabei mehr als unbedingt nötig in Anspruch zu nehmen, allerdings vorbehaltlich folgender Ausnahmen:

- wenn das Gerät gewerblich, beruflich oder im Verleihgeschäft benutzt wurde;
- wenn das Gerät mißbräuchlich verwendet oder mit mangelnder Sorgfalt behandelt wurde;
- wenn das Gerät durch irgendwelche Fremdeinwirkung beschädigt wurde;
- wenn ein unbefugter Reparaturversuch durch anderes Personal als das einer Vertragswerkstatt oder des Black & Decker-Kundendienstes unternommen wurde.

Zur Inanspruchnahme dieser Garantie ist dem Verkäufer bzw. der Vertragswerkstatt ein Kaufnachweis vorzulegen. Die Adresse des zuständigen Büros von Black & Decker steht in dieser Anleitung, darüber läßt sich die nächstgelegene Vertragswerkstatt ermitteln. Außerdem ist eine Liste der Vertragswerkstätten und aller Kundendienststellen von Black & Decker sowie der zuständigen Ansprechpartner im Internet zu finden unter: **[www.2helpU.com](http://www.2helpU.com)**.

## Weitere Gartengeräte

Black & Decker bietet ein großes Sortiment an Gartengeräten an, die die Gartenarbeit erheblich erleichtern. Für nähere Informationen zu den folgenden Geräten wenden Sie sich bitte an den Black & Decker Kundendienst (Adresse hinten in dieser Anleitung) oder an Ihren Händler.

<b>Rasentrimmer</b>	<b>Kettensägen</b>
<b>Akku-Strauchscheren</b>	<b>Akku-Grasscheren</b>
<b>Heckenscheren</b>	<b>Rasenmäher</b>
<b>Rasenlüfter</b>	<b>Laubsauger</b>
<b>Häcksler</b>	

Nicht alle Produkte sind in allen Ländern erhältlich.

## EU-Konformitätserklärung

### GL550/GL555/GL560

Black & Decker erklärt hiermit, daß diese Geräte entsprechend folgenden Richtlinien und Normen konzipiert wurden:

98/37/EWG, 89/336/EWG, 73/23/EWG,  
EN 55014, EN 60335, EN 61000,

2000/14/EWG, Rasentrimmer,  $L \leq 50$  cm

Anhang VIII, No. 0086

B.S.I., HP2 4SQ, United Kingdom

Höhe des Schalldrucks, gemessen nach  
2000/14/EWG:

$L_{pA}$	(Schalldruck)	dB(A)	81
$L_{WA}$	(Schalleistung)	dB(A)	94
$L_{WA}$	(garantiert)	dB(A)	96

Gewichteter Effektivwert der Beschleunigung  
nach EN 50144:  $4 \text{ m/s}^2$



Brian Cooke

Director of Engineering

Spennymoor, County Durham DL16 6JG,

United Kingdom

1-12-2001

# Rotofil

## GL550/GL555/GL560

## Notice d'emploi

### Félicitations!

Votre acquisition de ce Rotofil Reflex® de Black & Decker vous assure des années de coupe sans effort. Le Reflex® ne fait pas que couper et tailler les bordures, il est également muni d'un système unique d'alimentation 100% automatique du fil de coupe. Vous n'avez rien à faire, le système Reflex® vous permet de travailler sans interruption. À l'aide d'un simple mécanisme, il "sent" exactement la longueur du fil manquante et réajuste automatiquement.

### Description

Voici les différentes parties de votre Rotofil:

1. Corps
2. Poignée secondaire
3. Blocage du câble
4. Bague de verrouillage
5. Fil de coupe
6. Carter protecteur
7. Lame coupe-fil
8. Capot de bobine
9. Guide de taille
10. Blocage du carter
11. Crochets de rangement du cble
12. Support de bobine
13. Cliquet de la bobine
14. Masselotte
15. Oeilleton
16. Flèche
17. Bobine
18. Anneau de suspension
19. Prise
20. Poignée
21. Interrupteur
22. Vis du carter
23. Pas de vis du carter
24. Flèche
25. Patin

### Consignes de sécurité



Lisez attentivement cette notice et respectez toutes les consignes de sécurité. Maintenez votre Rotofil en bon état de marche.

Familiarisez-vous avec votre machine avant de l'utiliser et surtout, assurez-vous de savoir l'arrêter en cas d'urgence.

Conservez soigneusement la présente notice ainsi que tous les documents livrés avec.

#### Alimentation électrique

- Votre machine est conçue pour une alimentation en courant alternatif. N'essayez aucune autre sorte d'alimentation.
- Branchez toujours votre Rotofil à une prise fixe.
- Ne laissez pas votre machine sans surveillance lorsqu'elle est branchée.
- Débranchez toujours avant d'inspecter ou de nettoyer votre Rotofil.



#### Câble d'alimentation

- Le câble rallonge doit être inspecté régulièrement afin d'en vérifier l'état.
- Tenez toujours le câble éloigné du fil de coupe (5) et sachez à tout moment où il se trouve.
- Ne transportez jamais votre Rotofil en le tenant par le câble. Ne tirez jamais sur le câble pour débrancher. Tenez-le à l'écart de sources de chaleur, produits inflammables et arêtes tranchantes.
- Si le câble est endommagé, remplacez-le dans les plus brefs délais.

#### Fil de coupe

- Prenez garde de ne pas vous blesser avec la lame coupe-fil (7) lors du déballage et du montage de votre produit.
- Le fil de coupe (5) continue de tourner un court instant après le relâchement de l'interrupteur. Vous ne devez en aucune façon essayer d'arrêter le fil vous-même.
- Ne remplacez jamais le fil nylon par du fil de fer.



## Vêtements

- Portez toujours des lunettes de protection lorsque vous utilisez votre Rotofil.
- Portez des chaussures solides ou des bottes. Ne travaillez jamais pieds nus ou en sandales.
- Portez un pantalon pour protéger vos jambes.

## Utilisation du Rotofil

- Utilisez toujours votre Rotofil de la manière indiquée dans cette notice. Assurez-vous que la bobine est bien fixée.
- Assurez-vous que votre zone de tonte ne comporte pas de pierres ou autres débris qui pourraient être éjectés.
- Tenez votre Rotofil à l'écart de vos pieds.
- Ne mettez pas en marche votre Rotofil s'il est la tête en bas.
- Ne courez jamais en travaillant.
- N'utilisez pas votre machine sous la pluie.
- N'utilisez votre Rotofil qu'en plein jour.
- Ne traversez pas des allées gravillonnées lorsque le fil nylon tourne.
- Ne travaillez pas dans des pentes trop abruptes. Coupez toujours en travers de la pente et non de bas en haut. Assurez-vous de votre bon équilibre.
- N'utilisez jamais votre Rotofil sans son carter de protection (6) ou si celui-ci est endommagé.
- Prenez garde que l'herbe fraîchement coupée est humide et glissante.



## Sécurité des tiers

- N'autorisez jamais les enfants ou personnes n'ayant pas lu cette notice à utiliser votre Rotofil.
- Tenez les enfants, tierces personnes ou animaux domestiques à l'écart du Rotofil lorsque vous l'utilisez.



## Entretien de la machine

- Rangez votre Rotofil dans un endroit sec hors de portée des enfants.
- N'utilisez ni produits, ni solvants pour nettoyer votre machine. Utilisez une raclette pour nettoyer le carter. Débranchez et assurez-vous toujours que le fil nylon (5) ne tourne pas avant de nettoyer votre Rotofil.
- N'utilisez pas votre machine si une pièce est endommagée.
- N'utilisez que les accessoires de rechange Black & Decker.

## Securite electrique

Votre Rotofil doit toujours être arrêté et débranché avant toute opération sur la prise ou le câble.

### Remplacement de fusibles

- La prise est munie d'un fusible de 5 ampères
- N'utilisez que des fusibles de rechange conformes à la norme BS 1362.
- Lorsque vous avez changé un fusible, assurez-vous toujours que son couvercle est bien en place.



**Remarque:** Les fusibles ne protègent pas de l'électrocution.

## Cable rallonge

Vous pouvez utiliser un câble allant jusqu'à 30m sans perte de puissance de votre Rotofil.

## Preparation du rotofil (Fig. 2)

# 2

- Déballez le Rotofil et le carter protecteur (6).
- Otez la vis du carter (22) située sous la base du Rotofil (Fig. 2.1).
- Enclenchez le carter dans les rainures prévues à cet effet.
- Appuyez fermement, d'abord d'un côté jusqu'à ce que le carter soit bien enfoncé. Répétez l'opération de l'autre côté (Fig. 2.2).
- Remplacez la vis (Fig. 2.3).
- S'il est correctement ajusté, votre carter doit alors être bien fixé au corps du Rotofil.
- Votre Rotofil est livré en position de taille-bordures. Pour le faire pivoter, reportez-vous au chapitre "Comment passer votre Rotofil en fonction de taille-bordures".
- Pour démarrer, enlevez l'adhésif qui fixe le fil à la bobine et dévidez au moins 9cm de fil.
- Assurez-vous toujours que la bobine est correctement fixée.

## Comment utiliser votre rotofil? (Fig. A - K)

Afin de tirer le meilleur parti de votre Rotofil, observez les techniques suivantes:

# A

# B

N'utilisez jamais votre Rotofil sans le carter de protection.

Ne coupez pas l'herbe mouillée, les résultats sont meilleurs lorsqu'elle est sèche.

**Coupe**

- Pour mettre en marche, appuyez sur l'interrupteur.
- Pour arrêter, relâchez l'interrupteur.
- Pour transporter votre Rotofil hors utilisation, nous vous conseillons de le tenir par la poignée secondaire (2).

Coupez en inclinant légèrement le Rotofil.

Effectuez un léger mouvement de balancier de droite à gauche.

Ne forcez pas le Rotofil. Il est pleinement efficace lorsque sa vitesse est maximale.

Dans les herbes hautes, attaquez par le sommet de celles-ci.

Faites des petites coupes.

Utilisez le bord du carter de protection comme guide le long de surfaces dures ou de murs.

**Taille de bordures**

Les meilleurs résultats sont obtenus sur des bordures ayant au moins 50mm de profondeur.

**Remarque:** Votre Rotofil est conçu pour entretenir les bordures. Il n'est pas adapté pour les creuser.

En posant le patin (25) sur la bordure d'herbe et en calant le sabot de guidage (9) le long de celle-ci, tirez le Rotofil en maintenant le guide bien plaqué sur la bordure.

Une coupe plus précise peut être obtenue en inclinant le Rotofil.

**Blocage du câble rallonge**

Faites une boucle avec le câble et fixez-la à l'ergot de blocage (3). Vous éviterez ainsi que la prise s'arrache lors d'une tension trop forte.

**Comment convertir votre rotofil en taille-bordures (Fig. 3)****3 Déblocage**

- Le Rotofil arrêté, posez le sabot de guidage (9) sur le sol. D'une main, saisissez la poignée supérieure (20). A l'aide de l'autre main, tournez la bague de blocage (4) jusqu'au bout (environ un quart de tour) (Fig. 3.1).

**Conversion**

- Toujours en tenant la poignée supérieure, saisissez le corps du Rotofil (1) et tournez-le d'un demi-tour dans le sens de la flèche (24) jusqu'au "clic" (Fig. 3.2).

**Blocage**

- Retournez la bague dans le sens des aiguilles d'une montre en évitant de trop forcer (Fig. 3.3).

**Fil nylon de recharge**

Vous pouvez vous procurer une bobine ou du fil de recharge chez votre revendeur Black & Decker. Il est impératif de bien utiliser du fil Black & Decker, tout autre produit risquant de ne pas faire fonctionner le système d'alimentation automatique.

**Remplacement de la bobine (Fig. 4 & 5)**

- 4**
- Débranchez votre Rotofil
  - Otez le capot de la bobine en appuyant sur les deux cliquets (13) (Fig. 4). Il n'est pas nécessaire d'appuyer sur les deux en même temps. Vous pouvez alors retirer la bobine.
  - Nettoyez le support de bobine (12) et le capot (8).
- 5**
- Dévidez environ 9cm de fil (5) de la nouvelle bobine (17). passez le fil au travers de l'oeilleton et mettez la bobine en place (Fig. 5), tournez-la jusqu'à ce qu'elle soit calée en veillant à ce que le fil ne se bloque pas. Assurez-vous qu'il y a au moins 9cm de dévidés.
  - Remplacez le capot en vérifiant que les deux cliquets (13) sont bien en place.

**Recharge de fil sur une bobine vide (Fig. 6 & 7)**

- 6**
- Vous pouvez charger jusqu'à 10m de fil sur votre bobine. La bobine est pourvue d'un "indicateur" qui vous évite de mettre trop de fil, ce qui perturberait le fonctionnement du système Reflex (Fig. 6).
  - Otez le reste de fil de la bobine (17)
  - Placez l'extrémité du nouveau fil dans un des trous du support (17) et insérez-y 2cm.
  - Pliez le fil de coupe en le tirant au travers du "L" adjacent. Le fil doit alors fermement fixé à la bobine. Vous pouvez alors l'enrouler dans le sens des flèches (16).

- Enroulez bien régulièrement sans croiser le fil.
- Lorsque vous avez enroulé suffisamment de fil, bloquez-le provisoirement dans un "L" pour éviter que la bobine ne se dévide.
- Remettez la bobine et le capot en place en vous assurant qu'il y ait au moins 9cm de fil déroulé.

## Entretien

- Pour obtenir de meilleurs résultats, nettoyez régulièrement la bobine ainsi que les ailettes d'aération. Utilisez une brosse sèche pour ôter l'herbe.
- Les pièces en plastique doivent être nettoyées avec un chiffon humidifié d'eau chaude. N'utilisez pas de détergent ou de solvant. N'aspergez pas votre Rotofil pour le nettoyer.
- Il n'est pas nécessaire de lubrifier les pièces intérieures.

## Détection des pannes

### Avant d'inspecter votre Rotofil, débranchez-le.

- Si le Rotofil ne démarre pas, vérifiez qu'il est correctement branché. S'il ne marche pas, vérifiez l'état du câble et le fusible.
- Si l'alimentation du fil nylon ne fonctionne pas, ce peut être pour les raisons suivantes :

#### Fil trop court ou emmêlé dans la bobine

- Otez le capot de la bobine (8) (Fig. 4).
- Sortez la bobine (17) d'environ 6mm de son support (12), tout en tirant le fil nylon (5). Cela vous permet de rallonger le fil tout en le démêlant. Assurez-vous qu'il y a au moins 9cm de fil dévidés.
- Remplacez la bobine et le capot en vous assurant que les deux cliquets sont bien en place.

#### Fil toujours emmêlé

- **Débranchez** et ôtez le capot de la bobine comme décrit précédemment
- Otez la bobine
- Déroulez précautionneusement le fil (5) jusqu'à ce que toutes les boucles ou emmêlements soient supprimés. Rembobinez le fil dans le sens des flèches (16) situées sur la bobine.
- Nettoyez le support de bobine et le capot.
- Remplacez la bobine et le capot en vous assurant qu'il a au moins 9cm de fil déroulés.

## Protection de l'environnement



Black & Decker fournit un dispositif permettant de recycler les produits Black & Decker lorsqu'ils ont atteint la fin de leur cycle de vie. Ce service est gratuit. Pour pouvoir profiter de ce service, veuillez retourner votre produit à un réparateur agréé qui se chargera de le collecter pour nous.

Pour connaître l'adresse du réparateur agréé le plus proche de chez vous, contactez le bureau Black & Decker à l'adresse indiquée dans ce manuel. Vous pourrez aussi trouver une liste des réparateurs agréés de Black & Decker et de plus amples détails sur notre service après-vente sur le site Internet à l'adresse suivante :

**[www.2helpU.com](http://www.2helpU.com)**.

## Garantie

Black & Decker est confiant dans la qualité de ses produits et vous offre une garantie très étendue. Ce certificat de garantie est un document supplémentaire et ne peut en aucun cas se substituer à vos droits légaux. La garantie est valable sur tout le territoire des Etats Membres de l'Union Européenne et de la Zone de Libre Echange Européenne.

Si un produit Black & Decker s'avère défectueux en raison de matériaux en mauvaises conditions, d'une erreur humaine, ou d'un manque de conformité dans les 24 mois suivant la date d'achat, Black & Decker garantit le remplacement des pièces défectueuses, la réparation des produits usés ou cassés ou remplace ces produits à la convenance du client, sauf dans les circonstances suivantes :

- Le produit a été utilisé dans un but commercial, professionnel, ou a été loué.
- Le produit a été mal utilisé ou avec négligence.
- Le produit a subi des dommages à cause d'objets étrangers, de substances ou à cause d'accidents.
- Des réparations ont été tentées par des techniciens ne faisant pas partie du service technique de Black & Decker.

Pour avoir recours à la garantie, il est nécessaire de fournir une preuve d'achat au vendeur ou à un réparateur agréé. Pour connaître l'adresse du réparateur agréé le plus proche de chez vous, contactez le bureau Black & Decker à l'adresse indiquée dans ce manuel. Vous pourrez aussi trouver une liste des réparateurs agréés de Black & Decker et de plus amples détails sur notre service après-vente sur le site Internet à l'adresse suivante : **[www.2helpU.com](http://www.2helpU.com)**.



## Autres outils de jardinage

Black & Decker propose une gamme complète d'outils de jardinage facilitant l'entretien du jardin. Si vous souhaitez obtenir de plus amples renseignements sur les produits suivants, veuillez contacter notre Centre de Service et d'Information (voir la page d'adresse à la fin de ce manuel) ou vous adresser à votre revendeur Black & Decker le plus proche.

### Tronçonneuses

Cisaille à gazon sans fil

Coupes bordures

Tailles-haies à fil ou sans fil

Tondeuses

Aspirateur / souffleur / broyeur

Broyeurs

Aérateur Démousseur

Tous les produits ne sont pas disponibles dans tous les pays.

# FRANÇAIS

## Déclaration de conformité CE

### GL550/GL555/GL560

Black & Decker déclare que ces outils sont conformes aux normes:

98/37/CEE, 89/336/CEE, 73/23/CEE,  
EN 55014, EN 60335, EN 61000,

2000/14/CEE, coupe bordures,  $L \leq 50$  cm

Annexe VIII, No. 0086

B.S.I., HP2 4SQ, Royaume Uni

Niveau de pression acoustique, mesuré suivant  
la norme 2000/14/CEE:

$L_{pA}$	(pression acoustique)	dB(A)	81
$L_{WA}$	(puissance acoustique)	dB(A)	94
$L_{WA}$	(garanti)	dB(A)	96

Niveau de vibration main/bras selon la norme  
EN 50144:  $4 \text{ m/s}^2$



Brian Cooke

Directeur du Développement  
Spennymoor, County Durham DL16 6JG,  
Royaume-Uni  
1-12-2001

# Strimmer

## GL550/GL555/GL560 Gebruiksaanwijzing

### Gefeliciteerd!

Met de aankoop van deze Black & Decker Reflex® strimmer en graskantsnijder is jarenlang probleemloos strimmen verzekerd. De Reflex strimt en snijdt de graskanten van uw gazon en is bovendien uitgerust met een uniek volautomatisch draadtoevoersysteem. U hoeft helemaal niets te doen met het Reflex-systeem kunt u dus non-stop strimmen. Door middel van een eenvoudig mechanisme voelt het wanneer de draad versleten is en indien nodig voert het automatisch draad toe tot de optimale snijlengte. U hoeft alleen maar de machine aan te zetten en te strimmen.

### Beschrijving

Hieronder vindt u een lijst van de onderdelen die in deze gebruiksaanwijzing worden vermeld en op de bijbehorende tekeningen zijn afgebeeld:

1. Lichaam
2. Tweede handgreep
3. Kabelklem
4. Borgring
5. Snijdraad
6. Beschermkap
7. Snijmes
8. Spoeldeksel
9. Kantengeleider
10. Sluitlepjes van de beschermkap
11. Kabelopberghaken
12. Spoelhuis
13. Treklijp van het spoeldeksel
14. Hendel
15. Oog
16. Pijl
17. Spoeltje
18. Ophanggat
19. Stroomtoevoer of elektrisch snoer
20. Hendelschakelaar
21. Drukschakelaar
22. Schroef voor de beschermkap
23. Schroefgat van de beschermkap
24. Pijl
25. Geleidingssteun

### Veiligheidsvoorschriften



Lees deze gebruiksaanwijzing aandachtig door en neem voor, tijdens en na het gebruik van de machine alle aanbevolen veiligheidsvoorschriften in acht. Onderhoud uw machine goed en zorg ervoor dat ze altijd perfect werkt.

Maak uzelf vertrouwd met de bedieningselementen van de machine vooraleer u ermee begint te werken, maar zorg vooral dat u weet hoe u de machine in noodgevallen moet afzetten.

Bewaar deze gebruiksaanwijzing en alle andere bijgeleverde informatie bij de machine, zodat u deze documentatie later steeds kunt raadplegen.

### Elektrische aansluiting

- Uw machine is alleen geschikt om met wisselstroom te worden gebruikt. Probeer niet om ze op een andere stroomtoevoerbron aan te sluiten.
- Steek de stekker in een stopcontact en nooit in een contactdoos voor verlichtingstoestellen.
- Laat de machine niet onbewaakt achter als de stekker nog in het stopcontact steekt.
- Schakel de machine altijd uit en trek de stekker uit het stopcontact voor u eender welk onderdeel van de strimmer schoonmaakt, controleert of bijstelt, als het elektriciteits snoer beschadigd is of in de war zit.



### Elektriciteits snoer

- Het elektriciteits snoer moet regelmatig op beschadigingen of slijtage worden gecontroleerd en mag alleen in goede staat worden gebruikt.
- Houd het elektriciteits snoer altijd uit de buurt van de snijdraad (5) en zorg ervoor dat u altijd weet waar het zich precies bevindt.
- Draag de machine nooit bij het snoer en trek niet aan het snoer om de stekkerverbindingen uiteen te halen. Houd het snoer uit de buurt van warmtebronnen, olie of scherpe snijranden.

- Laat beschadigde snoeren volledig vervangen door het dichtstbijzijnde Black & Decker Service Centre. Probeer niet om het snoer zelf te vervangen want de schakelhendel kan niet door de gebruiker worden hersteld.
- Wanneer de niet-herbedraadbare stekker van het elektriciteits snoer moet worden vervangen, mag de vervangen stekker niet met het gewoon huishoudelijk afval worden meegegeven. Sluit bij de bevestiging van een herbedraadbare vervangstekker geen enkele draad van het elektriciteits snoer op de aardingsklem aan.

## Snijdraad

- Zorg ervoor dat u bij het uitpakken en monteren uzelf niet verwondt door het snijmes (7) en door de overtollige draad die kan worden afgesneden wanneer de strimmer voor het eerst wordt gebruikt.
- De snijdraad (5) blijft nog even draaien nadat u de schakelhendel hebt losgelaten. U mag in geen geval proberen om de snijdraad te doen stoppen, maar moet hem altijd vanzelf tot stilstand laten komen.
- Bevestig nooit een metalen snijdraad.

## Kleding



- Draag altijd een beschermende bril als u met de machine werkt.
- Draag altijd stevige schoenen of laarzen om uw voeten te beschermen (werk nooit blootsvoets of draag geen open sandalen).
- Draag een lange broek om uw benen te beschermen - afval dat op het gazon of in de snijzone ligt, kan door de snijdraad worden opgepakt en weggeslingerd.

## Het gebruik van uw machine

- Gebruik uw machine altijd zoals in deze gebruiksaanwijzing is beschreven. Uw machine is gemaakt om rechtop te worden gebruikt. Wanneer ze op een andere manier wordt gebruikt, kan dit tot ongevallen leiden.
- Trek de stekker uit het stopcontact en ga na of de draaiende delen niet beschadigd zijn voor u de machine gebruikt. Controleer ook of het spoeltje veilig is gemonteerd.
- Controleer altijd of er geen stekken, stenen, draad of ander afval op uw gazon of in de snijzone liggen. Dergelijk afval kan de machine beschadigen.



- Houd de machine steeds op veilige afstand van uw voeten en andere lichaamsdelen wanneer u ze inschakelt en tijdens het werken.
- Schakel de machine nooit aan wanneer ze ondersteboven staat.
- Stap met een normaal tempo met de machine, loop nooit.
- Gebruik de machine niet wanneer het regent en laat ze niet nat worden.
- Gebruik de machine alleen bij daglicht of helder kunstlicht.
- Loop niet over kiezelpaadjes of wegen terwijl de snijdraad aan het draaien is.
- Strim geen overdreven steile hellingen. Zorg ervoor dat u stevig staat en ga van links naar rechts over het oppervlak van hellingen, nooit op en neer.
- Gebruik de machine nooit met een beschadigde beschermkap (6) of zonder beschermkap.
- Wees voorzichtig wanneer u strimt, want vers gemaaid gras is vochtig en glad.

## Veiligheid van anderen

- Laat kinderen of mensen die met een dergelijke machine niet vertrouwd zijn, niet met uw strimmer werken. Geef de machine nooit in handen van iemand die deze gebruiksaanwijzing niet heeft gelezen.
- Houd kinderen, dieren of andere volwassenen uit de buurt van de machine terwijl u aan het werken bent - houd hen altijd uit de buurt van de snijzone.



## Onderhoud van uw machine

- Berg de machine op een droge plaats en buiten het bereik van kinderen en als u ze niet gebruikt.
- Gebruik geen oplosmiddelen of reinigingsvloeistoffen om uw machine schoon te maken - gebruik een afgekante schraper om gras en vuil weg te schrapen. Trek altijd de stekker uit het stopcontact en vergewis u ervan dat de snijdraad (5) volledig tot stilstand is gekomen vooraleer u de machine schoonmaakt.

- Gebruik de machine nooit als er onderdelen defect zijn.
- Probeer niet om andere onderdelen te vervangen dan die welke in deze gebruiksaanwijzing worden vermeld.
- Gebruik alleen door Black & Decker aanbevolen vervangonderdelen en toebehoren.

## Elektrische beveiliging

De machine moet altijd uitgeschakeld zijn voor u om het even welke stekker, contact of verlengsnoer loskoppelt.

## Verlengsnoeren

U kunt een 30 meter lang tweeadrig verlengsnoer gebruiken zonder overmatig stroomverlies.

## De strimmer klaarmaken voor gebruik (Fig. 2)

2

- Neem de strimmer en de beschermkap (6) uit de doos.
- Verwijder de schroef van de beschermkap (22) op de voet van het strimmerlichaam (1) (Fig. 2.1).
- Schuif de beschermkap in de daartoe bestemde gleuf van het strimmerlichaam.
- Druk de beschermkap stevig op haar plaats, eerst aan de ene kant, tot ze perfect gelijk zit met het lichaam, en vervolgens aan de andere kant (Fig. 2.2).
- Draai de schroef van de beschermkap terug op haar plaats (Fig. 2.3). Als ze juist is gemonteerd, is de beschermkap nu stevig aan de strimmer bevestigd.
- Bij levering staat de strimmer in de stand "graskantsnijder". Wilt u strimmen, lees dan het onderdeel "Omschakelen van strimmen naar graskantsnijden".
- Bij levering is het uiteinde van de snijdraad (5) met kleefband vastgemaakt aan de zijkant van het spoeldekse (8). Haal de kleefband eraf om de snijdraad los te maken. Er moet minstens 9cm snijdraad uit het spoelhuis (12) steken voor u met de strimmer begint te werken.

**Opmerking:** Wanneer u de machine voor het eerst gebruikt, zal de overtollige snijdraad door het snijmes (7) dat in de beschermkap is ingebouwd, worden afgesneden. Dit zal ook gebeuren bij elke volgende afstelling van de draad.

Omdat de snijdraad die door het snijmes in de beschermkap wordt afgesneden, kan worden weggeslingerd, is het van belang dat de overtollige snijdraad tot een minimum wordt beperkt. Wanneer er teveel snijdraad werd uitgetrokken, moet u de snijdraad aan de buitenkant van de beschermkap afsnijden voor u de strimmer inschakelt. Snijd de draad handmatig af met het snijmes.

- Zorg er altijd voor dat het spoeldekse (8) voor en na het gebruik stevig vastzit.

## Hoe moet u de strimmer gebruiken? (Fig. A - K)

Om het maximum uit uw strimmer te halen, moet u de onderstaande werkwijze nauwgezet volgen. Wees niet ongeduldig. U krijgt de beste resultaten door ervaring en door deze eenvoudige regels toe te passen.

A

Gebruik de strimmer nooit zonder beschermkap.

B

Snij geen nat gras; de beste resultaten krijgt u wanneer het gras droog is.

### Strimmen

- Schakel de strimmer in door de drukschakelaar (21) in te drukken.
- Schakel de machine uit door de drukschakelaar los te laten.
- Wanneer u de strimmer draagt zonder hem te gebruiken, gebruik dan bij voorkeur de tweede handgreep (2).

C

Snij altijd schuin en met het uiteinde van de snijdraad (5).

D

Beweeg de strimmer voorzichtig heen en weer.

E

Overbelast de strimmer niet. De machine geeft de beste resultaten bij hoge snelheden.

F

Begin bij lang gras steeds vanaf het uiteinde van het gras.

G

Strim steeds kleine oppervlakken.

H

Gebruik de zijkant van de beschermkap om de strimmer weg te houden van harde oppervlakken en dingen die gemakkelijk kunnen worden beschadigd.

### Graskantsnijden

De beste resultaten krijgt u met graskanten die dieper zijn dan 5cm.

I

**Opmerking:** Uw strimmer is onderhoudsgereedschap om overhangend gras te strimmen en kan niet worden gebruikt om graskanten te maken. Gebruik voor het maken van graskanten een graskantenspaade.

**J** Verplaats de machine met de geleidingssteun (25) op de graskant en de kantengeleider (9) haaks over de rand, terwijl de kantengeleider tegen de graskant aangedrukt blijft.

U kunt een scherpere snede krijgen als u de strimmer verder overbuigt.

### Kabelklem

**K** Wanneer uw strimmer geschikt is voor gebruik met een "afneembaar" verlengsnoer, haal dan een lus van de kabel door de kabelklem (3) om te vermijden dat de stekker en het contact per ongeluk losgeraken wanneer aan het snoer wordt getrokken.

## Omschakelen van strimmen naar graskantsnijden (Fig. 3)

Naast gewoon strimmen (Fig. D) kunt u met uw strimmer ook overhangend gras strimmen langs gazonranden en bloembedden (Fig. J).

**3** Ga als volgt tewerk om uw strimmer om te schakelen van strimmen naar graskantsnijden:

### Ontgrendelen

- Schakel de strimmer uit en laat de kantengeleider (9) op de grond rusten. Neem de schakelhendel (20) vast met n hand. Draai met de andere hand de borging (4) zo ver mogelijk in tegenwijzerzin (ongeveer een kwart slag) (Fig. 3.1).

### Omschakelen

- Houd de schakelhendel stevig vast, neem het strimmerlichaam (1) vast en draai het een halve slag in de richting van de pijl (24) tot het lichaam op zijn plaats 'klikt' (Fig. 3.2).

### Vergrendelen

- Blijf de schakelhendel vasthouden en draai de borging in wijzerzin aan met de andere hand. U hoeft slechts lichtjes met de vinger te drukken om de hendel veilig vast te klikken (Fig. 3.3).

## De snijdraad vervangen

U kunt een nieuw spoeltje met 10 meter snijdraad (cat. nr. A6481) kopen bij uw Black & Decker-dealer. Als alternatief zijn er vervangpakketten snijdraad verkrijgbaar met een draad van 15m (cat. nr. A6052), 30 m (cat. nr. A6046).

Voor een maximale betrouwbaarheid mag u nooit lichtere of zwaardere snijdraad (b.v. vislijn) gebruiken, wat de automatische draadtoevoer kan verstoren, de motor kan doen uitvallen of de snijprestaties kan verminderen.

## Een nieuw spoeltje met snijdraad bevestigen (Fig. 4 & 5)

- Trek de stekker van de strimmer uit het stopcontact.
- 4** • Verwijder het spoeldeksel door de lipjes van het spoeldeksel (13) naar binnen en naar omhoog te drukken (Fig. 4), en haal het er vervolgens af (het is niet nodig om beide lipjes tegelijk in te drukken). U kunt het lege spoeltje nu van de drijfas nemen.
- Verwijder het vuil of gras dat zich eventueel in het spoelhuis (12) of spoeldeksel (8) heeft opgehoopt.
- 5** • Wikkel ongeveer 9cm snijdraad (5) van het nieuwe spoeltje (17) af. Steek de snijdraad door het oog en druk het spoeltje dan op de middelste drijfas (Fig. 5). Draai zover als nodig om het spoeltje volledig op zijn plaats te bevestigen. Zorg ervoor dat de snijdraad niet wordt vastgeklemd onder het spoeltje en dat er minimum 9cm snijdraad uit het spoelhuis steekt.
- Breng het spoeldeksel weer op zijn plaats aan door beide lipjes ervan ter hoogte van de gleufjes in het spoelhuis aan te brengen en ze op hun plaats te drukken. Zorg ervoor dat beide lipjes goed op hun plaats zitten.

## Een nieuwe snijdraad op een leeg spoeltje winden (Fig. 6 & 7)

- 6** • U kunt maximum 10 meter nieuwe snijdraad op een leeg spoeltje winden. Het spoeltje heeft een "indicator" om te vermijden dat u teveel snijdraad op het spoeltje zou winden, wat de automatische draadtoevoer zou blokkeren (Fig. 6).
- Verwijder alle resterende oude snijdraad van het spoeltje (17).
- Druk het uiteinde van de nieuwe snijdraad in een van beide gaten die in het spoelhuis (17) zijn uitgespaard en trek de draad 20mm ver door.
- Buig de snijdraad over en trek hem door de L-vormige gleuf. De snijdraad moet nu stevig in het spoeltje vastzitten en u kunt hem nu verder wikkelen in de richting van de pijlen (16).

- Neem uw tijd om de snijdraad netjes in lagen om het spoeltje te winden. Doe dit nooit kriskras.
- Wanneer u voldoende snijdraad hebt opgewonden, kunt u hem even in een van de L-vormige gleuven schuiven om te vermijden dat de draad weer loskomt. Zorg ervoor dat er minimum 9cm draad blijft uitsteken.
- Breng het spoeltje en het spoeldeksel (8) op hun plaats aan in het spoelhuis op dezelfde manier als werd beschreven voor het aanbrengen van een nieuw spoeltje.

### De draad zit nog steeds klem in het spoeltje

- Trek de stekker uit het stopcontact en verwijder het deksel zoals hierboven beschreven.
- Haal het spoeltje (17) er volledig uit, houd de opgerolde snijdraad op zijn plaats om te vermijden dat het spoeltje afrolt (Fig. 7).
- Wind de snijdraad (5) voorzichtig van het spoeltje los tot de gekruiste stukken draad of de vastgemaakte lussen losgemaakt zijn. Wind de snijdraad opnieuw op het spoeltje, in de richting van de pijlen (16).
- Laat de snijdraad even in een van de L-vormige gleuven zitten om te vermijden dat de draad losraakt. Zorg ervoor dat er minimum 9cm draad uitsteekt.
- Trek de hendel (14) naar voren en naar achteren om na te gaan of hij vrij kan bewegen.
- Verwijder het vuil of gras dat zich eventueel in het spoelhuis of het spoeldeksel heeft opgehoopt.
- Steek het uiteinde van de snijdraad door het oog en druk het spoeltje dan op de middelste drijfjas terwijl u aan het vrije uiteinde van de draad trekt om hem uit de L-vormige gleuf los te maken. Draai zover als nodig om het spoeltje volledig op zijn plaats te bevestigen. Maak dat de snijdraad niet klem komt te zitten onder het spoeltje en dat er minimum 9cm snijdraad uit het spoelhuis steekt.
- Breng het deksel ten slotte weer op zijn plaats aan zoals eerder beschreven.

## Onderhoud en service

- Voor optimale resultaten moeten de snijdraad, het spoeltje en de luchtspleten in het lichaam van de strimmer schoon worden gehouden. Gebruik een droge borstel of een doek om gras, plantensap of ander vuil te verwijderen.
- Kunststofonderdelen kunnen met zachte zeep en een warme, vochtige doek worden gereinigd. Gebruik geen detergenten, schoonmaakproducten of oplosmiddelen, want deze kunnen chemische bestanddelen bevatten die de kunststof ernstig kunnen beschadigen. Sproei de strimmer nooit schoon met water.
- Aangezien uw strimmer met zelfsmerende lagers is uitgerust, is smeren niet nodig.

## Defecten opsporen

### Trek de stekker uit het stopcontact vooraleer u uw strimmer op defecten controleert.

- Wanneer de strimmer niet wil starten, controleer dan of alle elektriciteits snoeren correct zijn aangesloten. Als dit niet helpt, controleer dan het stopcontact en vervolgens de zekering en de bedrading van de stekker van het verlengsnoer en de vrouwelijke stekkerverbinding.
- Wanneer de automatische draadtoevoer niet werkt, kan dit te wijten zijn aan een van de volgende oorzaken:

### De draad is te kort of de draad zit geklemd in het spoeltje

- Trek de stekker van de strimmer uit het stopcontact.
- Verwijder het spoeldeksel (8) door beide lipjes (13) naar binnen en naar boven te drukken (Fig. 4).
- Til het spoeltje (17) ongeveer 6mm uit het spoelhuis (12) op, terwijl u aan de snijdraad trekt (5). Zo kunt u de draad verlengen terwijl u de draad losmaakt die eventueel in het spoeltje geklemd zit. Zorg ervoor dat er minimum 9cm draad uit het spoelhuis steekt.

## Milieu



Black & Decker biedt de mogelijkheid tot recyclen van afgedankte Black & Decker producten. Deze service is kosteloos. Om gebruik van deze service te maken, dient u het product aan een van onze servicecentra te sturen, die voor ons de inzameling verzorgen.

U kunt het adres van het dichtstbijzijnde servicecentrum opvragen via de adressen op de achterzijde van deze handleiding. U kunt ook een lijst van onze servicecentra en meer informatie m.b.t. onze klantenservice vinden op het volgende Internet-adres: [www.2helpU.com](http://www.2helpU.com).

## Garantie

Black & Decker heeft vertrouwen in zijn producten en biedt een uitstekende garantie. Deze garantiebepalingen vormen een aanvulling op uw wettelijke rechten en beperken deze niet. De garantie geldt in de lidstaten van de Europese Unie en de Europese Vrijhandelsassociatie.

Mocht uw Black & Decker product binnen 24 maanden na datum van aankoop defect raken tengevolge van materiaal- of constructiefouten, dan garanderen wij de kosteloze vervanging van defecte onderdelen, de reparatie van het product of de vervanging van het product, tenzij:

- Het product is gebruikt voor handelsdoeleinden, professionele toepassingen of verhuurdoeleinden;
- Het product onoordeelkundig is gebruikt;
- Het product is beschadigd door invloeden van buitenaf of door een ongeval;
- Reparaties zijn uitgevoerd door anderen dan onze servicecentra of Black & Decker personeel.

Om een beroep op de garantie te doen, dient u een aankoopbewijs te overhandigen aan de verkoper of een van onze servicecentra. U kunt het adres van het dichtstbijzijnde servicecentrum opvragen via de adressen op de achterzijde van deze handleiding. U kunt ook een lijst van onze servicecentra en meer informatie m.b.t. onze klantenservice vinden op het volgende Internet-adres: **www.2helpU.com**.

## Andere machines voor gebruik in de tuin

Black & Decker heeft een compleet assortiment machines die het leven in de tuin vereenvoudigen. Als u meer informatie over de volgende producten wenst, neemt u dan contact op met ons Service- en Informatiecentrum (zie de adrespagina aan het eind van deze handleiding) of uw plaatselijke Black & Decker dealer.

**Strimmers**  
**Kettingzagen**  
**Heggen scharen**  
**Grasmaaiers**  
**Verticuteerders**  
**Bladruimers**  
**Hakselaars**

Niet ieder product is verkrijgbaar in alle landen.

## NEDERLANDS

### EG-verklaring van overeenstemming

#### GL550/GL555/GL560

Black & Decker verklaart dat deze elektrische machines in overeenstemming zijn met:

98/37/EEG, 89/336/EEG, 73/23/EEG,  
EN 55014, EN 60335, EN 61000,

2000/14/EEG, grastrimmer, L ≤ 50 cm  
Annex VIII, No. 0086

B.S.I., HP2 4SQ, United Kingdom

Niveau van de geluidsdruk, gemeten volgens  
2000/14/EEG:

$L_{pA}$	(geluidsdruk)	dB(A)	81
$L_{WA}$	(geluidsvermogen)	dB(A)	94
$L_{WA}$	(gegarandeerd)	dB(A)	96

Gewogen kwadratische gemiddelde waarde van de versnelling overeenkomstig EN 50144: 4 m/s<sup>2</sup>



Brian Cooke

Director of Engineering  
Spennymoor, County Durham DL16 6JG,  
United Kingdom  
1-12-2001

# Recortabordes GL550/ GL555/GL560

## Manual de instrucciones

### ¡Enhorabuena!


Al adquirir el recortabordes Reflex® Black & Decker, disfrutará usted de largos años de uso sin problemas. El recortabordes Reflex no sólo recorta los bordes de su césped, sino que tiene un sistema exclusivo de salida del hilo de nylon, totalmente automático. Usted no tiene que hacer nada: el sistema Reflex supone que puede usted recortar bordes sin parar, pues gracias a un sencillo mecanismo detecta cuándo se ha desgastado el hilo y éste vuelve a salir automáticamente en la longitud adecuada. Por tanto, sólo tiene que conectar la máquina y empezar a trabajar.

### Descripción

A continuación incluimos una lista de las piezas que se mencionan en este Manual y que aparecen en las correspondientes figuras:

1. Cuerpo
2. Empuñadura secundaria
3. Tope del cable
4. Anillo de bloqueo
5. Hilo de nylon
6. Protector
7. Cuchilla del hilo
8. Tapa de la bobina
9. Guía de bordes
10. Lengüetas de sujeción del protector
11. Ganchos para sujetar el cable
12. Soporte de la bobina
13. Lengüeta de la tapa de la bobina
14. Palanca
15. Cáncamo
16. Flecha
17. Bobina
18. Agujero para colgar
19. Enchufe
20. Interruptor en la empuñadura
21. Interruptor de gatillo
22. Tornillo del protector
23. Agujero para el tornillo del protector
24. Flecha
25. Patín

### Instrucciones de seguridad

 Lea con atención todo este Manual y siga las normas de seguridad recomendadas antes, durante y después de usar su máquina. Mantenga este recortabordes siempre en perfecto estado.

Antes de usar la máquina, familiarícese con sus mandos pero, sobre todo, sepa cómo pararla en caso de emergencia.

Guardé este Manual y la demás documentación que se suministra con esta máquina, para futuras referencias.

#### Conexión eléctrica

- Su máquina está proyectada para ser utilizada únicamente con un enchufe de corriente continua (c.c.). No intente usarla en otras fuentes de alimentación.
- Enchufe su máquina a un enchufe de fuerza, no a uno corriente.
- No deje su máquina sola y enchufada a la corriente eléctrica.
- Desconecte la máquina y desenchúfela de la corriente antes de limpiarla, inspeccionarla o ajustar cualquier pieza o si el cable está roto o enrollado.



#### Cable de alimentación

- El cable de alimentación se debe inspeccionar periódicamente por si presenta síntomas de rotura o desgaste y sólo se debe utilizar si está en perfecto estado.
- Mantenga el cable de alimentación siempre alejado del hilo de nylon (5). Compruebe su posición en todo momento.
- No lleve nunca la máquina colgando del cable ni tire del cable para desenchufarla. Mantenga el cable alejado de las fuentes de calor, aceite o grasa y filos cortantes.
- Si el cable está roto o gastado, llévelo a cambiar completamente a un Centro de Servicio Black & Decker. No intente cambiarlo usted, pues el interruptor de la empuñadura no lo puede montar el usuario.
- Si tiene que cambiar el enchufe fijo del cable de alimentación, tírelo pensando en la seguridad. Cuando se monta un



nuevo enchufe, ninguna de sus clavijas ni los hilos del cable se tienen que conectar al terminal de masa.

## Hilo de nylon

- Procure no herirse con la cuchilla del hilo de nylon (7) al desembalar y montar la máquina ni con el hilo que sobresalga en exceso al utilizarla por primera vez.
- El hilo de nylon (5) sigue girando algún tiempo después de soltar la palanca del interruptor. En ningún caso intente pararlo: deje siempre que se pare por sí solo.
- No ponga nunca hilo de cortar metálico.

## Ropa



- Siempre que use esta máquina, póngase gafas de seguridad.
- Para proteger sus pies lleve siempre botas o zapatos fuertes (no vaya descalzo ni con sandalias).
- Lleve pantalón largo para protegerse las piernas. Cualquier residuo que haya en el césped puede salir disparado si le toca el hilo de nylon.

## Uso de la máquina

- Use siempre su máquina como se indica en este Manual. Este recortabordes está proyectado para usarlo vertical y si se usa en cualquier otra posición se pueden producir accidentes.
- Antes de usar su máquina, desenchúfela y compruebe si todas las partes giratorias están en buen estado. Compruebe también si la bobina está bien sujeta.
- Compruebe siempre si el césped que vaya a cortar está libre de palos, piedras, alambres y otros residuos. El contacto con los mismos puede estropear la máquina.
- Mantenga la máquina alejada de sus dedos y otras partes de su cuerpo, tanto al conectarla como durante el funcionamiento.
- No conecte la máquina cuando esté boca abajo.
- Corte con la máquina al paso, sin correr.
- No use la máquina bajo la lluvia ni deje que se moje.
- Use la máquina sólo con luz del día o con buena luz artificial.
- No cruce senderos de tierra o grava mientras esté girando el hilo de nylon.



- No corte en pendientes pronunciadas. Cuando corte en cuesta, procure mantenerse en equilibrio y corte a lo ancho de la pendiente, no hacia arriba o hacia abajo.
- No use nunca la máquina sin el protector (6) o si éste está roto.
- Tenga cuidado al cortar, pues el césped recién cortado está húmedo y resbaladizo.

## La seguridad de los demás

- No deje nunca que usen esta máquina los niños, las personas que no estén totalmente familiarizadas con ella o las que no hayan leído estas instrucciones.
- No deje que los niños, personas adultas o animales estén cerca de la máquina mientras la usa. Manténgalos siempre alejados de la zona de corte.



## Cuidados de la máquina

- Cuando no use la máquina, guárdela en un lugar seco y fuera del alcance de los niños.
- No use disolventes ni limpiadores para limpiar su máquina. Use una espátula no muy afilada para quitar la hierba y la suciedad. Antes de limpiar la máquina, desenchúfela de la corriente y espere a que se pare el hilo (5).
- No use la máquina si alguna pieza no está en perfecto estado.
- No desmonte de la máquina más que las piezas mencionadas en estas instrucciones.
- Use sólo recambios y accesorios originales Black & Decker.

## Seguridad eléctrica

Desenchufe siempre la máquina de la corriente antes de conectar o desconectar cualquier alargadera.

## Cambio de fusibles

Su máquina se suministra con un cable que lleva un enchufe fijo.

- El enchufe lleva un fusible de 5 amperios, que es el amperaje recomendado para su máquina.

- Use sólo fusibles que cumplan la norma BS1362 o similar.
- Al cambiar el fusible del enchufe, procure colocar bien la tapa. Si no está la tapa o está rota, no use el enchufe.

**Nota:** Los fusibles no protegen contra las descargas eléctricas.

Podrá aumentar la seguridad eléctrica haciendo que un electricista especializado instale en su domicilio un disyuntor de alta sensibilidad (30mA). Si no tiene instalado un disyuntor ni lo va a instalar, para mayor seguridad le recomendamos encarecidamente que enchufe la máquina a un circuito que tenga un dispositivo de corte residual de alta sensibilidad, diseñado para ofrecer mayor grado de protección personal contra descargas eléctricas si se produjera algún fallo.

En su Centro de Servicio Black & Decker podrá encontrar disyuntores Black & Decker recomendados.



**¡Atención!** El uso de un disyuntor o cualquier otro dispositivo de seguridad no exime al usuario de esta máquina de tomar todas las precauciones de seguridad y seguir al pie de la letra las normas de este Manual.

## Alargaderas

Podrá usar alargaderas Black & Decker de dos hilos y hasta 30m sin que se produzca pérdida de potencia en su máquina.

## Preparación del recortabordes para su uso (Fig. 2)

2

- Saque del embalaje el recortabordes y el protector (6).
- Quite el tornillo (22) del protector situado en la base del cuerpo del recortabordes (1) (Fig. 2.1).
- Presente el protector en el canal que hay en el cuerpo del recortabordes.
- Meta el protector del todo, primero por un lado hasta que quede a nivel con el cuerpo del recortabordes. Haga lo mismo en el otro lado (Fig. 2.2).
- Vuelva a poner el tornillo del protector (Fig. 2.3).
- Si está bien montado, el protector quedará perfectamente sujeto al recortabordes.
- Para transportarlo, el recortabordes va embalado en la modalidad de "Bordes".

Si quiere usarlo para recortar el césped por encima, lea la sección "Cómo convertir su recortabordes...." más adelante.

- Para evitar daños durante el transporte, el extremo del hilo (5) va sujeto a la bobina (8) con una cinta adhesiva. Tire la cinta y saque el hilo de la bobina (12) un mínimo de 9cm.

**Nota:** Cuando use el recortabordes por primera vez, el hilo que sobresalga en exceso lo cortará la cuchilla (7) instalada en el protector. Este mecanismo funciona igual cada vez que se ajusta la longitud del hilo. Como ese hilo cortado puede salir despedido, es importante que su longitud sea lo menor posible. Si tira del hilo demasiado, córtelo a mano con esa cuchilla antes de poner en marcha la máquina.

- Antes y después de usar la máquina, compruebe si la tapa de la bobina está bien ajustada.

## Cómo usar su recortabordes (Fig. A - K)

Para sacar el máximo partido a su recortabordes, aprenda con cuidado estas técnicas. Tenga paciencia, los mejores resultados se consiguen con la experiencia y siguiendo estas sencillas reglas:

A  
B

No use el recortabordes sin el protector instalado.

No corte césped húmedo. Los mejores resultados se consigue cuando está seco.

### Para recortar el césped por encima

- Para poner en marcha la máquina, apriete el interruptor de gatillo (21).
- Para pararla, suelte el interruptor.
- Para llevar el recortabordes cuando no lo use, es preferible que utilice la empuñadura secundaria (2).

C  
D  
E  
F  
G  
H

Corte con la punta del hilo de nylon (5) y formando cierto ángulo.

Mueva suavemente el recortabordes de un lado a otro.

No sobrecargue el recortabordes. Funciona mejor a mayor velocidad.

Con el césped largo empiece a cortar por arriba.

Vaya cortando poco a poco.

Aproveche el borde del protector (6) para mantener el recortabordes alejado de las superficies duras y objetos delicados.

## Para recortar los bordes

Conseguirá mejores resultados cuando los bordes tengan más de 50mm de alto.

**Nota:** Este recortabordes es una máquina de mantenimiento, para recortar el césped demasiado largo. No la utilice para hacer huecos en el césped. Los huecos en los bordes se deben hacer con una azada.

Con el patín (25) en el borde del césped y la guía (9) sobre el mismo, lleve la máquina a lo largo manteniéndola siempre en contacto con el borde del césped.

Si quiere hacer un corte más corto, incline la máquina.

## Tope del cable

Si su recortabordes se puede usar con una alargadera que se pueda desenchufar, para que el enchufe y las conexiones no se aflojen si tira accidentalmente del cable, haga un bucle y páselo por el tope (3).

## Cómo convertir su recortabordes en unas tijeras para césped (Fig. 3)

Además de usarlo como recortabordes convencional (Fig. D), podrá usar esta máquina también para cortar el césped largo a lo largo de los bordes y alrededor de los macizos de flores (Fig. J).

Para usar el recortabordes de este modo:

### Desbloqueo

- Con el recortabordes desconectado y la guía de bordes (9) apoyada en el suelo, sujete con una mano la empuñadura (20) y, con la otra, gire el anillo (4) a la izquierda y a tope (aproximadamente un cuarto de vuelta) (Fig. 3.1).

### Conversión

- Sujetando la empuñadura, agarre con la otra mano el cuerpo del recortabordes (1) y gírelo media vuelta en dirección de la flecha (24) hasta que oiga un “clic” (Fig. 3.2).

### Bloqueo

- Sujetando todavía la empuñadura, apriete otra vez el anillo de bloqueo (4) a derechas. Sólo tiene que hacer una ligera presión (Fig. 3.3).

## Bobina de repuesto

En los distribuidores Black & Decker encontrará bobinas de repuesto con 10 metros de hilo de nylon (núm. de Cat. A6480). También hay bobinas de 15 metros (núm. de Cat. A6052), de 30 metros (núm. de Cat. A6046) o de 50 metros (núm. de Cat. A6054).

Para mayor fiabilidad, nunca ponga hilo más grueso o más fino (p.ej., hilo de pescar), pues puede hacer que se estropee el motor o se reduzca la eficacia de su herramienta.

## Cómo poner una nueva bobina de hilo (Fig. 4 & 5)

- Desenchufe el recortabordes de la corriente.
- Quite la tapa de la bobina empujando las lengüetas (13) hacia dentro y hacia arriba (Fig. 4) y tirando de ellas (no es necesario empujar las dos lengüetas al mismo tiempo). Quite la bobina vacía del eje.
- Limpie la hierba o suciedad que pudiera haber dentro del soporte de la bobina (12) y en la tapa (8).
- Saque unos 9cm de hilo (5) de la bobina nueva (17) y métalo por el cáncamo. Meta después la bobina en el eje central (Fig. 5). Gire la bobina lo necesario para que ajuste, teniendo cuidado de no pillar el hilo debajo de la bobina y procurando que sobresalgan por lo menos 9cm de hilo.
- Vuelva a poner la tapa, alineando las dos lengüetas (13) con las ranuras del cuerpo de la máquina y empújela hasta que encaje. Compruebe si encajan bien las dos lengüetas.

## Cómo enrollar hilo nuevo en una bobina vacía (Fig. 6 & 7)

- Cuando se le vacíe la bobina, podrá cargarla hasta con un máximo de 10m de hilo nuevo. La bobina tiene un “indicador” que le ayudará a no cargarla demasiado, pues si lo hiciera así, el sistema automático del hilo no funcionaría (Fig. 6).
- Quite de la bobina (17) los restos de hilo que pudieran quedar.
- Meta el extremo del hilo nuevo por uno de los dos agujeros que hay en el soporte de la bobina (17) y empújelo unos 20mm.
- Doble el hilo y páselo por la ranura en forma de L que hay al lado del agujero. El hilo debe quedar perfectamente sujeto a la bobina. Empiece a enrollarlo entonces en dirección de las flechas (16).

- Enrolle el hilo despacio, en capas y en pasadas seguidas, que no se crucen.
- Cuando haya enrollado suficiente hilo, sujételo un momento en una de las ranuras en L para evitar que se desenrolle. Deje unos 9cm de hilo sobresaliendo de la bobina.
- Monte la bobina y la tapa (8) en el soporte, igual que se indicó para montar una bobina nueva.
- Saque del todo la bobina (17) sujetando el hilo enrollado, para que no se desenrolle (Fig. 7).
- Desenrolle con cuidado el hilo (5) de la bobina hasta quitar la parte enredada. Vuelva a enrollar el hilo uniformemente, en la dirección de las flechas (16).
- Cuando haya enrollado suficiente hilo, sujételo un momento en una de las ranuras en L para evitar que se desenrolle. Deje unos 9cm de hilo sobresaliendo de la bobina.

## Cuidados y mantenimiento

- Para conseguir un mayor rendimiento, procure que estén siempre limpias las ranuras del cuerpo del recortabordes, el hilo de nylon y la bobina. Para quitar las hierbas, residuos y otra suciedad emplee un cepillo o paño seco.
- Puede limpiar las partes de plástico usando un jabón suave y un paño humedecido en agua caliente. No use otros tipos de detergente, limpiador ni disolvente que pueden contener productos químicos que dañarían gravemente el plástico. No limpie el recortabordes con chorro de agua.
- Esta máquina lleva rodamientos autolubricantes, por lo que no necesita lubricación.

## Localización de averías

### Antes de inspeccionar su recortabordes, desenchúfelo de la corriente.

- Si el recortabordes no se pone en marcha, compruebe si están bien conectados todos los cables de alimentación. Si no funciona, compruebe el enchufe, la alargadera y los enchufes conectados a la misma.
- Si no sale el hilo automáticamente, puede deberse a una de estas razones:

#### Hilo demasiado corto o atascado en la bobina

- Desenchufe el recortabordes de la corriente.
- Quite la tapa de la bobina (8) empujando las dos lengüetas (13) hacia dentro y hacia arriba (Fig. 4).
- Saque la bobina (17) unos 6mm del soporte (12), tirando al mismo tiempo del hilo (5). Así podrá sacar el hilo y al mismo tiempo desatascarlo. Procure dejar fuera un mínimo de 9cm del hilo.
- Gire la bobina lo necesario para que asiente bien en el soporte y vuelva a poner la tapa, haciendo que coincidan las lengüetas con las ranuras. Compruebe si las dos lengüetas quedan bien sujetas.

#### Hilo enredado dentro de la bobina

- Desenchufe el recortabordes y quite la tapa de la bobina como ya hemos indicado.

- Mueva a un lado y a otro la palanca (14) para ver si funciona bien.
- Quite la hierba o suciedad que se hayan acumulado en el interior del soporte de la bobina y de la tapa.
- Meta el extremo del hilo por el cáncamo. Meta después la bobina en el eje central. Gire la bobina lo necesario para que ajuste, teniendo cuidado de no pillar el hilo debajo de la bobina y procurando que sobresalgan por lo menos 9cm de hilo.
- Por último, vuelva a poner la tapa como se ha indicado anteriormente.

## Protección del medio ambiente



Black & Decker proporciona facilidades para el reciclado de los productos Black & Decker que hayan llegado al final de su vida útil. Este servicio se proporciona de forma gratuita. Para poderlo utilizar, le rogamos entregue el producto en cualquier servicio técnico autorizado quien se hará cargo del mismo en nuestro nombre.

Pueden consultar la dirección de su servicio técnico más cercano poniéndose en contacto con la oficina local de Black & Decker en la dirección que se indica en este manual. Como alternativa, se puede consultar en Internet, en la dirección siguiente, la lista de servicios técnico autorizados e información completa de nuestros servicios de postventa y contactos: [www.2helpU.com](http://www.2helpU.com).

## Garantía

Black & Decker confía plenamente en la calidad de sus productos y ofrece una garantía extraordinaria. Esta declaración de garantía es una añadido a, y en ningún caso un perjuicio para, sus derechos estatutarios. La garantía es válida dentro de los territorios de los Estados Miembros de la Unión Europea y de los de la Zona Europea de Libre Comercio.

Si un producto Black & Decker resultara defectuoso debido a materiales o mano de obra defectuosos o a la falta de conformidad, Black & Decker garantiza, dentro de los 24 meses de la fecha de compra, la sustitución de las piezas defectuosas, la reparación de los productos sujetos a un desgaste y rotura razonables o la sustitución de tales productos para garantizar al cliente el mínimo de inconvenientes, a menos que:

- El producto haya sido utilizado con propósitos comerciales, profesionales o de alquiler;
- El producto haya sido sometido a un uso inadecuado o negligente;
- El producto haya sufrido daños causados por objetos o sustancias extrañas o accidentes;
- Se hayan realizado reparaciones por parte de personas que no sean los servicios de reparación autorizados o personal de servicios de Black & Decker;

Para reclamar en garantía, será necesario que presente la prueba de compra al vendedor o al servicio técnico de reparaciones autorizado. Pueden consultar la dirección de su servicio técnico más cercano poniéndose en contacto con la oficina local de Black & Decker en la dirección que se indica en este manual. Como alternativa, se puede consultar en Internet, en la dirección siguiente, la lista de servicios técnico autorizados e información completa de nuestros servicios de postventa y contactos: **www.2helpU.com**.

## Otras herramientas de jardinería

Black & Decker cuenta con una amplia gama de herramientas de jardinería para hacerle la vida en el jardín más fácil. Si desea más información sobre los siguientes productos, no dude en ponerse en contacto con nuestro Centro de Servicio e Información (consulte la página de direcciones al final de este manual) o diríjase a su concesionario local de Black & Decker.

### Motosierras

### Recortabordes

### Recortasetos

### Cortacéspedes

### Escarificadores

### Aspiradores-sopladores

Todos los productos no se encuentran disponibles en todos los países.

### Declaración CE de conformidad

#### GL550/GL555/GL560

Black & Decker certifica que estas herramientas eléctricas han sido construidas de acuerdo a las normas siguientes:

98/37/CEE, 89/336/CEE, 73/23/CEE,  
EN 55014, EN 60335, EN 61000,  
2000/14/CEE, recortabordes,  $L \leq 50$  cm  
Annex VIII, No. 0086

B.S.I., HP2 4SQ, Reino Unido

El nivel de la presión acústica, medida de acuerdo con 2000/14/CEE:

$L_{pA}$	(presión acústica)	dB(A)	81
$L_{WA}$	(potencia acústica)	dB(A)	94
$L_{WA}$	(garantizado)	dB(A)	96

Valor cuadrático medio ponderado en frecuencia de la aceleración según EN 50144: 4 m/s<sup>2</sup>



Brian Cooke

Director de Ingeniería  
Spennymoor, County Durham DL16 6JG,  
United Kingdom  
1-12-2001

# Aparador GL550/ GL555/GL560

## Manual de instruções

### Parabéns!

A compra deste aparador Reflex® da Black & Decker assegura-lhe anos de uso sem problemas. Reflex®, apara, acerta orlas e possui um sistema único de alimentação do fio de nylon totalmente automático que permite trabalhar sem interrupções. Basta ligar e usar.

### Descrição

Abaixo encontrará uma lista de partes componentes do seu aparador que serão mencionadas ao longo deste manual e estarão representadas nos respectivos diagramas:

1. Corpo
2. Pega secundária
3. Retentor do cabo
4. Anel de travamento
5. Fio de corte
6. Resguardo
7. Lâmina de corte do fio de nylon
8. Tampa da bobina
9. Guia
10. Rebordo do resguardo
11. Enroladores para cabo eléctrico
12. Compartimento da bobina
13. Retentores da tampa da bobina
14. Patilha
15. Saída do fio
16. Seta indicadora
17. Bobina
18. Orifício para suspensão
19. Cabo eléctrico
20. Pega com interruptor
21. Interruptor de gatilho
22. Parafuso de fixação no resguardo
23. Orifício para parafuso do resguardo
24. Seta indicadora
25. Batente

### Instruções de segurança



Leia este manual e siga as instruções recomendadas antes, durante e depois de uso. Mantenha o seu aparelho em boas condições de funcionamento.

Familiarize-se com os comandos do aparador e, sobretudo, certifique-se de que sabe desligar a máquina em caso de emergência.

Guarde este manual e restante literatura fornecida.



- Desligue sempre o seu aparador da corrente antes de proceder a qualquer ajuste, limpeza, montagem de acessórios ou, se o cabo se danificar.
- Verifique regularmente o estado de conservação do cabo eléctrico.
- Mantenha-o afastado da zona de corte da máquina (5).
- Não transporte a máquina pelo cabo. Mantenha-o afastado de arestas, óleos e superfícies quentes.
- Em caso de danos no cabo, substitua-o totalmente. Não faça emendas.

### Fio de nylon

- Tome precauções contra acidentes com o fio de corte (5), que continua a rodar algum tempo após desligar a máquina e com a lâmina limitadora do comprimento do fio (7), situado na extremidade do resguardo do aparador.



### Vestuário

- Use óculos de protecção.
- Calce sapatos ou botas ao operar com a máquina. Nunca trabalhe descalço.
- Use calças de modo a proteger as pernas de quaisquer objectos projectados pela alta rotação do fio.

### Utilização

- Utilize o seu aparador como indicado neste manual.
- Antes de iniciar o trabalho, verifique o estado de conservação da sua máquina, bem como a correcta fixação do carreto de fio de nylon.
- Verifique se o relvado está livre de paus, pedras e/ou outros detritos que possam ser projectados pelo aparador.
- Mantenha o aparador afastado dos pés e outras partes do corpo enquanto estiver em uso.
- Não ligue o aparador com a zona de corte voltada para cima.



- Não utilize o aparelho à chuva ou em condições de extrema humidade.
- Utilize-o apenas com boas condições de visibilidade (durante o dia ou com boa luz artificial).
- Não utilize o aparador caso o resguardo (6) esteja danificado.
- Tenha cuidado. A relva cortada é húmida e escorregadia.

### Cuidados com o aparador

- Guarde o seu aparelho em lugar seco e seguro, fora do alcance das crianças.
- Não utilize produtos químicos para a limpeza do aparador.
- Assegure-se de que o aparelho está desligado.
- Se detectar alguma anomalia na máquina, não a utilize.
- Utilize apenas acessórios Black & Decker recomendados.

## Extensões de cabo

Pode utilizar extensões de fio Black & Decker de 2 condutores com um comprimento aconselhado não superior a 30 metros.

## Preparação para uso (Fig. 2)

2

- Pegue no aparador e no resguardo (6).
- Retire o parafuso do resguardo (22) que está aparafusado à base do aparador (1) (Fig. 2.1).
- Coloque o resguardo fazendo coincidir o furo da base do aparador com o do resguardo (Fig. 2.2).
- Volte a colocar o parafuso (Fig. 2.3).
- O resguardo ficará correctamente montado no aparador.
- O aparador vem embalado de fábrica na posição de acertador. Para o colocar na posição de aparador consulte a secção respectiva deste manual.
- A extremidade do fio de nylon (5) vem coberta por fita autocolante. Retire a fita. Deverá ficar com cerca de 9cm de fio, fora do carroto (12).

**Nota:** A lâmina (7) situada num dos bordos do resguardo, cortará o fio de nylon à medida do mesmo, logo que a máquina seja accionada. Isto acontecerá sempre que seja feito algum ajuste no comprimento do fio. Não deve, por isso, puxar-se demasiado fio para além do diâmetro do resguardo, pois traduzir-se-á em desperdício de fio.

# PORTUGUÊS

- Assegure-se de que a tampa do carroto está fixa antes de iniciar o trabalho.

## Como utilizar o aparador (Fig. A - K)

Para tirar o máximo partido do seu aparador, siga as técnicas mostradas neste manual.

A

Não use o aparador sem resguardo.

B

Não corte relva molhada. Obterá melhores resultados com a relva seca.

### Aparar

- Para ligar o aparador pressione o interruptor (21)
- Para desligar solte o interruptor.
- Para transporte do aparador sem estar em uso, recomenda-se o uso da pega secundária (2)

C

Corte em ângulo e com a ponta do fio de nylon.

D

Balance ligeiramente o aparador para um lado e outro.

E

Não sobrecarregue o aparador. É mais eficaz na sua velocidade máxima.

F

Em relva alta, comece pelo topo.

G

Corte com pequenos golpes.

H

Utilize o resguardo (6) para afastar o fio de obstáculos.

I

### Acertar orlas

Trabalhe em orlas, preferencialmente de altura superior a 50mm.

**Nota:** O seu aparelho destina-se a trabalhos de manutenção e não a criar orlas ou canteiros.

J

Com o batente (25) e a guia de acertar (9), movimente-se ao longo da orla a trabalhar.

K

### Retentor de cabo

o aparador possui um retentor (3) para evitar que o fio e a extensão se desliguem com facilidade, caso seja puxado.



## Como converter o aparador em acertador de orlas (Fig. 3)

Para além da utilização convencional como aparador (Fig. D), o seu aparelho pode ser utilizado como acertador (Fig. J):

3

### Destravar

- Com o aparelho desligado e a guia de acerto (9) no chão, segure a pega (20). Com a outra mão rode o anel de travamento (4) no sentido oposto ao dos ponteiros do relógio até ao fim (cerca um quarto de volta) (Fig. 3.1).

### Conversão

- Sempre segurando na pega, rode o corpo do aparador (1) meia volta, na direcção da seta (24) até que o corpo encaixe na posição final (Fig.3.2).

### Travar

- Continuando a segurar o aparador pela pega, rode o anel de travamento no sentido contrário. Não é necessária muita força para o aperto (Fig. 3.4).

## Fio de nylon

No seu revendedor, poderá encontrar carretos de fio para substituição do fornecido com o seu aparador. Pode optar por carreto com fio (Ref<sup>o</sup> A6480) ou por recargas de fio de 15mts (Ref<sup>o</sup> A6052), 30mts (Ref<sup>o</sup> A6046) ou 50mts (Ref<sup>o</sup> A6054).

Nunca utilize outro fio que não seja Black & Decker de forma a obter os melhores resultados, e não alterar o bom funcionamento do sistema de alimentação.

## Como colocar uma nova bobina de fio (Fig. 4 & 5)

- 4
- Retire o aparador da corrente eléctrica.
  - Retire a tampa da bobina pressionando os retentores (13) e puxando-a para cima (Fig. 4) A bobina vazia pode então ser retirada. Aproveite para limpar o interior do suporte de terra e aparas de relva.
- 5
- Desenrole aproximadamente 9cms de fio (5). Introduza o fio no orifício da cobertura da bobina. Depois, coloque a bobina no suporte (Fig. 5), rodando-a de modo a encaixar devidamente no suporte.
  - Volte a colocar a tampa alinhando os retentores (13) com as ranhuras.

## Como enrolar o fio de nylon numa bobina vazia (Fig. 6 & 7)

6

- Pode ser enrolado um máximo de 10 metros na bobina. Esta possui uma marca para evitar que seja enrolado demasiado fio, o que prejudicará o sistema automático de alimentação.
- Retire algum resto de fio da bobina (17).
- Empurre a extremidade do fio por um dos orifícios da base do suporte e insira 2cms.
- Dobre o fio, empurrando-o pela ranhura em "L". O fio ficará agora firmemente preso e poderá começar a enrolá-lo no sentido da seta (16).
- Não se apresse ao enrolar o fio. Faça-o em estrias, não o cruze. Uma vez enrolado suficiente fio, deixe cerca de 9cms por enrolar.
- Coloque a bobina e tampa de suporte tal como descrito na secção "Colocação de nova bobina".

## Cuidados e manutenção

- Para melhores desempenhos, mantenha o fio, bobina e entradas de ar do motor, limpos. Use uma escova ou pano para remover relva e terra.
- Use um detergente suave diluído em água quente, para limpar o aparador. Não use produtos químicos ou solventes que podem danificar o plástico.
- O seu aparador possui rolamentos auto-lubrificantes, não sendo por isso necessária qualquer lubrificação adicional.

## Localização de avarias

### Antes de tentar localizar anomalias no seu aparador, desligue-o da corrente!

- Se o motor não arrancar, verifique cabos e extensões eléctricas.
- Se o sistema automático de alimentação falhar, pode ser devido a:

#### Falta de fio ou fio enrolado

- Proceda como explicado na secção "Colocar uma nova bobina de fio".

#### O fio continua enrolado

- Retire a tampa do suporte e a bobina, e verifique se o fio está cruzado. Se estiver, desenrole cuidadosamente o fio, até descruzar.
- Verifique se a patilha 14 está a funcionar livremente.



- Retire as impurezas que se possam ter alojado no interior do suporte da bobina.
- Finalmente, volte a colocar a bobina e a tampa.

## Protecção do meio ambiente



A Black & Decker oferece facilidades para a reciclagem de produtos Black & Decker uma vez que os mesmos tenham alcançado o final de suas vidas úteis. Este serviço é fornecido sem encargos. Para utilizá-lo, devolva seu produto a qualquer agente de reparo autorizado, que se encarregará de recolher o equipamento em nosso nome.

Para verificar a localização do agente de reparo mais próximo de si, contacte o escritório local da Black & Decker no endereço indicado neste manual. Se preferir, consulte a lista de agentes autorizados da Black & Decker e os dados completos de nossos serviços de atendimento pós-venda na Internet no endereço:

[www.2helpU.com](http://www.2helpU.com).

## Garantia

A Black & Decker confia na qualidade de seus produtos e oferece um programa de garantia excelente. Esta declaração de garantia soma-se a seus direitos legais e não os prejudica em nenhum aspecto. A garantia será válida nos territórios dos Estados Membros da União Europeia e na Área de Livre Comércio da Europa.

Caso algum produto da Black & Decker apresente avarias devido a defeitos de material, mão-de-obra ou ausência de conformidade no prazo de 24 meses a partir da data de compra, a Black & Decker garantirá a substituição das peças defeituosas, a reparação dos produtos que foram submetidos a uso adequado e remoção ou substituição dos mesmos para assegurar o mínimo de inconvenientes ao cliente a menos que:

- O produto haja sido utilizado para fins comerciais, profissionais ou locação;
- O produto haja sido submetido a uso incorrecto ou descuido;
- O produto haja sofrido danos causados por objectos estranhos, substâncias ou acidentes;
- Haja histórico de reparos efectuados por terceiros que não sejam os agentes autorizados ou profissionais de manutenção da Black & Decker.

Para accionar a garantia, será necessário enviar a prova de compra ao revendedor ou agente de reparo autorizado. Para verificar a localização do agente de reparo mais próximo de si contacte o escritório local da Black & Decker no endereço indicado neste manual.

Se preferir, consulte a lista de agentes autorizados da Black & Decker e os dados completos de nossos serviços de atendimento pós-venda na Internet no endereço: [www.2helpU.com](http://www.2helpU.com).

## Outras ferramentas para jardim

A Black & Decker possui uma grande variedade de ferramentas que facilitam o trabalho no jardim.

Se desejar obter mais informações sobre os produtos a seguir mencionados, contacte o nosso Serviço a Clientes (veja a página de endereços no final deste manual) ou contacte o revendedor local da Black & Decker.

**Aparadores**  
**Electrosserras**  
**Tesoura de relva**  
**Corta-sebes**  
**Corta-relvas**  
**Vassouras para relvado**  
**Aspiradores de folhas**  
**Trituradores**

Nem todos os produtos estão disponíveis em todos os países.

### Declaração de conformidade

#### GL550/GL555/GL560

A Black & Decker declara que estas ferramentas foram concebidas em conformidade com:

98/37/CEE, 89/336/CEE, 73/23/CEE,  
EN 55014, EN 60335, EN 61000,  
2000/14/CEE, aparador de relva,  $L \leq 50$  cm

Annex VIII, No. 0086

B.S.I., HP2 4SQ, Reino Unido

Nível de potência sonora, medido de acordo com a 2000/14/CEE:

$L_{TA}$	(pressão sonora)	dB(A)	81
$L_{WA}$	(potência sonora)	dB(A)	94
$L_{WA}$	(com garantia)	dB(A)	96

Valor médio quadrático ponderado em frequência de aceleração conforme a EN 50144:  $4 \text{ m/s}^2$

Brian Cooke

Engenheiro Responsável  
Spennymoor, County Durham DL16 6JG,  
United Kingdom  
1-12-2001

# Μηχανές Φινιρίσματος Χόρτου GL550/GL555/GL560 Εγχειρίδιο οδηγιών

## Συγχαρητήρια!

Η αγορά αυτού του προϊόντος της Black & Decker Reflex® μηχανής φινιρίσματος χόρτου χλόης και κόπτης χλόης θα σας εξασφαλίσει καθαρίσμα για χρόνια χωρίς προβλήματα. Το Reflex® δεν κόβει μόνο τα άκρα του γρασιδιού σας. Έχει επίσης μοναδικό πλήρες αυτόματο σύστημα τροφοδότησης. Εσείς δεν κάνετε τίποτα - το σύστημα Reflex® σημαίνει συνεχές καθαρίσμα, με τη χρήση ενός απλού μηχανισμού, και καταλαβαίνει πότε τέλειωσε η γραμμή και, όταν χρεασθεί, αυτόματα αφήνει έξω το ιδεώδες μήκος γραμμής. Απλώς ανάβετε τη συσκευή και καθαρίζετε.

## Περιγραφή

Πιο κάτω δίνουμε κατάλογο των ανταλλακτικών που θα αναφέρονται σ' αυτό το φυλλάδιο οδηγιών και φαίνονται στα σχετικά διαγράμματα:

1. Κέλυφος
2. Δεύτερη λαβή
3. Υποστήριξη καλωδίου
4. Δακτύλιο ασφάλισης
5. Γραμμή τομής (Νάυλον κλωστή)
6. Προφυλακτήρας
7. Λεπίδα γραμμής κοπής
8. Κάλυμμα καρουλιού
9. Οδηγός άκρων
10. Κρίκοι κράτησης προφυλακτήρα
11. Αγγίστρα αποθήκευσης καλωδίου
12. Θήκη καρουλιού
13. Πτερύγιο καλύμματος καρουλιού
14. Μοχλός
15. Μικρή οπή
16. Τόξο
17. Καρούλι
18. Επιπρεμάμενη οπή
19. Εσοχή ενεργείας ή καλώδιο
20. Διακόπτης στη λαβή
21. Διακόπτης σκανδάλης
22. Βίδα Κποστήριξης
23. Οπή βίδας υποστήριξης
24. Τόξο
25. Τροχοπέδη

## Οδηγίες ασφαλείας



Διαβάστε προσεκτικά ολόκληρο το εγχειρίδιο αυτό, παρακολουθώντας όλες τις συνιστώμενες οδηγίες ασφαλείας πριν, κατά τη διάρκεια και μετά από τη χρήση του μηχανήματός σας. Να διατηρείτε το μηχανήμα σας σε καλή λειτουργική κατάσταση.

Να εξοικειωθείτε με τους ελέγχους στο μηχανήμα σας προτού προσπαθήσετε να το λειτουργήσετε, αλλά πάνω απ' όλα, να βεβαιωθείτε ότι γνωρίζετε πώς να σταματάτε το μηχανήμα σας σε περίπτωση έκτακτης ανάγκης.

Να φυλάξετε αυτό το εγχειρίδιο και την υπόλοιπη σχετική φιλολογία που σας παρέχεται με το μηχανήμα σας για μελλοντική αναφορά.

## Ηλεκτρικές συνδέσεις

- Η μηχανή σας είναι σχεδιασμένη για χρήση σε ρευματοδότες εναλλασσόμενου ρεύματος μόνο. Μή δοκιμάζετε να χρησιμοποιήσετε άλλο σύστημα ρεύματος.
- Τοποθετήστε τη μηχανή σας στο σημείο ηλεκτρικής παροχής, ποτέ μέσα σε αναμμένη πρίζα.
- Μην αφήνετε τη μηχανή σας απαρακολούθητη ενώ την συνδέετε στην ηλεκτρική παροχή.
- Πάντοτε σε βήντε και να αφαιρείτε την πρίζα από τον αγωγό ρεύματος πριν από το καθαρίσμα, την επίβλεψη ή τη ρύθμιση οποιουδήποτε μέρους της μηχανής κοψίματος, ή αν το καλώδιο αγωγού έχει πάθει βλάβη ή έχει εμπλακεί.



## Καλώδιο αγωγού ρεύματος

- Το καλώδιο παροχής ρεύματος πρέπει να εξετάζεται ταχτικά για τυχόν σημάδια βλάβης ή φθοράς, και να χρησιμοποιείται μόνον όταν είναι σε καλή κατάσταση.
- Να διατηρείτε πάντοτε το καλώδιο παροχής ρεύματος μακριά από τη γραμμή τομής (5), να προσέχετε τη θέση του πάντοτε.
- Ποτέ μη μεταφέρετε τη μηχανή σας από το καλώδιο ή να σηκώνετε το καλώδιο για να χωρίζετε τους

συνδετήρες. Διατηρείτε το καλώδιο μακριά από πηγές φωτιάς, από λάδια ή αιχμηρά αντικείμενα.

- Να αντικαθιστάτε τα ελαττωματικά καλώδια πλήρως από το πλησιέστερο -έντρο Υψηρείας σας της Black & Decker. Μην δοκιμάσετε να το κάνετε μόνοι σας, γιατί ο διακόπτης στη λαβή δεν μπορεί να γίνεται σέρβις από τον πελάτη.
- Αν χρειαστεί να αντικαταστήσετε την πρίζα που δεν μπορεί να επανσυρματωθεί που εφαρμόζεται στο καλώδιο παροχής, πρέπει να πετάγεται με ασφάλεια. Όταν κάνετε εφαρμογή μιας πρίζας που μπορεί να επανσυρματωθεί, τότε κανένα από τα σύρματα του παρεχόμενου καλωδίου να μην συνδέονται στο τερματικό γείωσης.

### Γραμμή τομής

- Προσέχετε από τυχόν ατύχημα από τη λεπίδα κοψίματος (7) κατά τη διάρκεια αποσυσκευασίας και συναρμολόγησης και από τυχόν γραμμή πρόσβασης που μπορεί να είναι κομμένη όταν πρωτολειτουργήσει η μηχανή κοψίματος.
- Η γραμμή τομής (5) θα συνεχίσει να λειτουργεί για λίγο μετά από την αποδέσμευση του μοχλού του διακόπτη. Ποτέ να μη δοκιμάζετε να σταματήσετε τη γραμμή τομής, πάντοτε να της επιτρέπετε να σταματά μόνη της.
- Ποτέ να μην τοποθετείτε μεταλλική γραμμή κοπής.

### Ρουχισμός

- Πάντοτε να φοράτε προστατευτικά γυαλιά όταν χρησιμοποιείτε το εφόδιο.
- Για να προστατεύετε τα πόδια σας, πάντοτε να φορείτε σκληρά παπούτσια ή μπότες (όχι ξυπόλυτοι ή αν φοράτε ανοικτά σανδάλια).
- Να φοράτε μακριά παντελόνια για την προστασία των ποδιών σας - τυχόν αντικείμενο που παρέμειναν στο γρασιδί ή στη γραμμή κοπής μπορεί να συλληχθούν και να εξφενδονιστούν από τη γραμμή τομής.

### Χρησιμοποιώντας τη μηχανή σας

- Πάντοτε να χρησιμοποιείτε τη μηχανή σας με τον τρόπο που περιγράφεται στον οδηγό. Η μηχανή

σας είναι σχεδιασμένη να χρησιμοποιείται σε όρθια θέση και αν χρησιμοποιείται με άλλο τρόπο μπορεί να προκαλέσει ατύχημα.

- Προτού χρησιμοποιήσετε τη μηχανή σας, αποσυνδέστε την από το ρευματοδότη και εξετάστε προσεκτικά τα περιστρεφόμενα μέρη για τυχόν βλάβες. Επίσης ελέγξτε ότι η συναρμολόγηση του πηνίου είναι ασφαλής.
- Πάντοτε να ελέγχετε ότι το γρασιδί ή η γραμμή κοπής είναι καθαρά από ξύλα, πέτρες, καλώδια και διάφοκα άλλα αντικείμενα που μπορούν να προκαλέσουν βλάβη στη μηχανή.
- Να διατηρείτε τη μηχανή σας μακριά από τα πόδια σας και άλλα μέλη του σώματός σας όταν ανάβετε τη μηχανή και κατά τη λειτουργία της μηχανής σας.
- Μην ανάβετε τη μηχανή όταν βρίσκεται ανάποδα.
- Να περπατάτε και ποτέ να μην τρέχετε με τη συσκευή σας.
- Μη χρησιμοποιείτε τη μηχανή σας κάτω από τη βροχή και μην την αφήνετε να βραχεί.
- Χρησιμοποιείτε τη μηχανή μόνο την ημέρα ή με καλό τεχνητο φως.
- Μη περνάτε από λιθόστρωτα μονοπάτια ή δρόμους ενώ περιστρέφεται η γραμμή τομής.
- Μην κόβετε σε υπερβολικά βαθιές κατηφόρες. Να είστε βέβαιοι για την ορθοστασία σας και να κοβετε κατά μήκος των κατήφορων, και ποτέ πάνω και κάτω.
- Ποτέ να μην χρησιμοποιείτε τη μηχανή με χαλασμένο προφυλακτήρα (6) ή χωρίς τον προφυλακτήρα να είναι στερεωμένος στη θέση του.
- Να είστε προσεκτικοί όταν κόβετε, γιατί η φρεσκοκομμένη χλόη είναι μουσκεμένη και ολισθηρή.

### Η ασφάλεια των άλλων

- Ποτέ μην αφήνετε παιδιά ή πρόσωπα που δεν γνωρίζουν τον τύπο της μηχανής να την χρησιμοποιούν ή σε κανένα άλλο πρόσωπο που δεν διάβασε το φυλλάδιο αυτό.





- Μην αφήνετε παιδιά, ζώα ή άλλους ενήλικες κοντά στη μηχανή σας όταν λειτουργεί - πάντοτε να τους κρατείτε μακριά από το χώρο κοπής.

### Φροντίδα της μηχανής σας

- Αποθηκεύετε τη μηχανή σας σε ξηρό χώρο όταν δεν την χρησιμοποιείτε, και μακριά από παιδιά.
- Μη χρησιμοποιείτε διαλύματα ή άλλα υγρά καθαρισμού για να καθαρίζετε τη μηχανή σας - χρησιμοποιείτε σκούπα για την αφαίρεση του γρασιδιού και των ακαθαρσιών. Πάντοτε να την αποσυνδέετε από το ρευματοδότη και να βεβαιώνετε ότι η γραμμή τομής (5) είναι σταματημένη πριν από το καθαρίσμα.
- Μη λειτουργείτε τη μηχανή σας αν μερικά εξαρτήματά της είναι ελαττωματικά.
- Μη δοκιμάζετε να αφαιρείτε τυχόν μέρη εκτός εκείνων που αναφέρονται σε αυτές τις οδηγίες.
- Χρησιμοποιείτε μόνο συστημένα ανταλλακτικά μέρη και συναρμολογήσεις της Black & Decker.

## Ηλεκτρική ασφάλεια

Πρέπει πάντοτε να σβήνετε τη μηχανή σας στην πηγή τροφοδότησης, προτού αποσυνδέετε τυχόν πρίζες ή συνδέσεις πρίζας ή καλώδια επέκτασης.

### Αντικατάσταση ασφάλειας (μόνο για την αγγλία)

Το μηχανήμα σας παρέχεται με καλώδιο που ρυθμίζεται με μία πρίζα χωρίς σύρμα.

- Η πρίζα τοποθετείται με ασφάλεια 5 αμπέρ που είναι η συνιστώμενη ασφάλεια για το μηχανήμα σας.
- Να χρησιμοποιείτε μόνο ασφάλειες αντικατάστασης που είναι εγκεκριμένες από την BS1362.
- Όταν αλλάζετε την ασφάλεια στην πρίζα σας, πάντοτε να βεβαιώνετε ότι το κάλυμμα της ασφάλειας είναι τοποθετημένο. Αν το κάλυμμα της ασφάλειας λείπει ή είναι χαλασμένο, μη χρησιμοποιείτε την πρίζα.

**Σημείωση:** Βι ασφάλειες δεν προσφέρουν προστασία από ηλεκτρικό σοκ.

Μπορεί να ληφθεί αυξημένη ασφάλεια όταν αφήσετε ένα προσωπούχο ηλεκτρολόγο να εγκαταστήσει ένα αυτόματο διακόπτη κυκλώματος υψηλής ευαισθησίας στη συναρμολόγηση (30mA). Αν δεν έχετε εφαρμόσει τέτοιο διακόπτη κυκλώματος, ή αν δεν θέλετε να εφαρμόσετε κάτι τέτοιο, τότε σας συνιστούμε ιδιαίτερα όπως η ηλεκτρική παροχή στη μηχανή παρέχεται από μια πολύ ευαίσθητη συσκευή του εναπομένουτος ρεύματος (RCD). Το RCD είναι σχεδιασμένο να παρέχει υψηλής στάθμης προστασία ενάντια στο επικίνδυνο ηλεκτρικό ρεύμα αν παρουσιασθούν ανώμαλες συνθήκες.

Το συνιστώμενο RCD της Black & Decker διατίθεται από το πλησιέστερό σας Κέντρο Σέρβις της Black & Decker.



**Προσοχή:** Η χρήση ενός RCD ή άλλου διακόπτη κυκλώματος δεν αποδεδειγμένα τον χειριστή της μηχανής από τις οδηγίες ασφάλειας και της πολιτικής ασφαλών εργασιών που δίνονται στον οδηγό.

## Προέκταση καλωδίων

Μπορείτε να χρησιμοποιήσετε μέχρι 100 πόδια (30 μέτρα) δικλωνική προέκταση καλωδίου της Black & Decker χωρίς καμία ορατή απώλεια ενέργειας.

## Προετοιμάζοντας τη μηχανή για χρήση (Εικόνα 2)

### 2

- Βγάλτε τη μηχανή φινιρίσματος χόρτου και τον προφυλακτήρα (6) από το κιβώτιο.
- Αφαιρέστε τη βίδα προφυλακτήρα (22) που βρίσκεται στη βάση του κελύφους της μηχανής (1) (Εικόνα 2.1).
- Δώστε τον προφυλακτήρα στο κανάλι υποδοχής επάνω στο κέλυφος της μηχανής.
- Ωθήστε τον προφυλακτήρα πλήρως προς τα μέσα, πρώτα στο πλευρό, μέχρις ότου είναι επίπεδος με το αμάξωμα. Επαναλάβετε την διαδικασία για την άλλη πλευρά (Εικόνα 2.2).
- Αντικαταστήστε τη βίδα του προφυλακτήρα (Εικόνα 2.3).
- Εάν συναρμολογήθηκε σωστά, ο προφυλακτήρας τώρα θα στερεωθεί στη μηχανή σας.

- Στη μεταφίρα η μηχανή σας είναι συσκευασμένος στη μέθοδο “Κόψιμο ακρών”, εάν θέλετε να “Κόψετε”, συμβουλευθείτε το μέρος “Πώς να μετατρέψετε μεταξύ της μεθόδου κοπής και της κοπής ακρών”.
- Στη μεταβίβαση, το τέλος της γραμμής τομής (5) επικολλάται στην πλευρά του καλύμματος του πηνίου (8). Παρακαλώ ξεκολλήστε την ταινία και αποδεσμεύσατε το μήκος της γραμμής. Θα υπάρχει ελάχιστη γραμμή τομής 9cm (3,5") για να εξέχει από τη θήκη του πηνίου (12) προτού χρησιμοποιήσετε τη μηχανή σας.

**Σημείωση:** Όταν η μηχανή σας λειτουργήσει για πρώτη φορά, οποιαδήποτε υπερβολική γραμμή θα αποκοπεί από τη λεπίδα γραμμής τομής (7) που βρίσκεται στον προφυλακτήρα. Το ίδιο ισχύει και για οποιαδήποτε μελλοντική ρύθμιση γραμμής. Λόγω του ότι η αποκοπή από τη λεπίδα κοψίματος στον προφυλακτήρα μπορεί να αποβάλλεται, είναι σημαντικό όπως η ποσότητα υπερβολικής γραμμής διατηρείται στο ελάχιστο. Όταν μια υπερβολική ποσότητα γραμμής τραβιέται προς τα έξω, η γραμμή πρέπει να αποκόπτεται στα έξω του προφυλακτήρα προτού ανάψετε τη μηχανή σας. Αποκόψτε τη γραμμή επάνω στη λεπίδα της μηχανής με το χέρι.

- Πάντα να βεβαιώνετε όπως το κάλυμμα του πηνίου είναι ασφαλισμένο πριν και μετά από τη χρήση.

## Πώς να χρησιμοποιήσετε τη μηχανή σας (Εικόνες Α - Κ)

Για να έχετε τα καλύτερα δυνατά αποτελέσματα από τη μηχανή σας, παρακαλώ μάθετε τις ακόλουθες τεχνικές. Μην είστε ανυπόμονοι. Θα έχετε τα καλύτερα αποτελέσματα από την πείρα, ακολουθώντας αυτούς τους απλούς κανόνες:

- A** Μη χρησιμοποιείτε τη μηχανή σας χωρίς τον προφυλακτήρα.
- B** Μην κόβετε μουσκεμένο γρασίδι. Έχετε καλύτερα αποτελέσματα όταν το γρασίδι είναι στεγνό.

### Κοπή

- Για να ανάψετε τη μηχανή σας, πατήστε το μοχλό διακόπτη (21).

- Για να σβήσετε τη συσκευή, αποδεσμεύσατε το μοχλό διακόπτη.
- Για να μεταφέρετε τη μηχανή όταν δεν την χρησιμοποιείτε, σας συστήνουμε να χρησιμοποιείτε το βοηθητικό χεροούλι (2).

**C**

Κόβετε γωνιακά με την άκρη της γραμμής τομής (5).

**D**

Περιστρέφετε τη μηχανή απαλά από πλευρά σε πλευρά.

**E**

Μην βαρυσφορτώνετε τη μηχανή. Λειτουργεί καλύτερα σε υψηλές ταχύτητες.

**F**

Για μεγάλο γρασίδι, αρχίστε από την κορυφή.

**G**

Κάνετε μικρά κοψίματα.

**H**

Χρησιμοποιείτε την άκρη του προφυλακτήρα (6) για να διατηρείται η μηχανή μακριά από σκληρές επιφάνειες και λεπτά αντικείμενα.

**I**

### Κοπή άκρων

Τα καλύτερα αποτελέσματα σημειώνονται σε άκρα με βάθος μεγαλύτερο των 50mm.

**J**

**Σημείωση:** Η μηχανή φινιρίσματος χόρτου είναι εργαλείο συντήρησης για το κόψιμο χλόης που επικρέμαται και δεν πρέπει να χρησιμοποιείται για τη δημιουργία ακρών. Άκρα μπορούν να γίνονται με τη χρήση φτυαριού κοπής.

**J**

Με την τροχοπέδη (25) στο άκρο της χλόης και με τον οδηγόν άκρης (9) τοποθετημένο πάνω από το άκρο, τραβήξτε τη συσκευή κατά μήκος ενώ διατηρείτε τον οδηγόν άκρων σε επαφή με το άκρο του χορταριού.

Μπορεί να επιτευχθεί πιο στενό κόψιμο, ρυθμίζοντας την μηχανή σας.

**K**

### Κράτηση καλωδίου

Εάν ο η μηχανή σας είναι κατάλληλη για χρήση με καλώδιο προέκτασης τύπου “Αποδέσμευσης”, κάνετε κύκλο σε ένα μήκος μέσω της κράτησης καλωδίου (3) έτσι ώστε η φίσα και ο ρευματοδότης να ξεχωρίζονται τυχαία, εάν τραβηχθεί το καλώδιο.

## Πώς να αλλάζετε από τη μέθοδο κοπής στη μέθοδο κοπής των άκρων (Εικόνα 3)

Επιπρόσθετα προς την παραδοσιακή κοπή (Εικόνα D), η μηχανή σας μπορεί να χρησιμοποιηθεί για να περικόβει χλόη που κρέμεται κατά μήκος των άκρων του χορταριού και των στρωμάτων λουλουδιών (Εικόνα J).

**3** Για να μετατρέψετε την μηχανή σας μεταξύ της μεθόδου κοπής στη μέθοδο κοπής άκρων:

### Αποσφάλιση

- Με τον διακόπτη κλειστό και με τον οδηγό άκρων (9) να κάθεται στο έδαφος, βάλτε το ένα σας χέρι στη λαβή του διακόπτη (20). Χρησιμοποιώντας το άλλο σας χέρι, γυρίστε το δακτύλιο ασφάλισης (4) αριστερόστροφα, όσο μπορεί να πάει (περίπου ένα τέταρτο της στροφής) (Εικόνα 3.1).

### Μετατροπή

- Ενώ κρατάτε τη λαβή του διακόπτη, να κρατάτε το κέλυφος του εργαλείου (1) και περιστρέψατε μισή στροφή στην κατεύθυνση του τόξου (24), μέχρις ότου το αμάξωμα κάνει ένα “κλικ” στη θέση του (Εικόνα 3.2).

### Ασφάλιση

- Ενώ κρατάτε τη λαβή του διακόπτη, σφίξτε το δακτύλιο ασφάλισης δεξιόστροφα, χρησιμοποιώντας το άλλο σας χέρι. Χρειάζεται μόνο ελαφριά πίεση με το δάκτυλο για να το στερεώσετε (Εικόνα 3.3).

## Γραμμή αντικατάστασης (νάυλον κλωστή)

Μπορείτε ν’ αγοράσετε ένα νέο πηνίο που έχει 10 μέτρα γραμμής τομής (Αρ. -ατηγορίας A6480) από τον αντιπρόσωπο της Black & Decker.

Εναλλακτικά, διατίθενται πακέτα αντικατάστασης γραμμής που περιέχουν είτε 15μ. γραμμής (Αρ. Κατηγορίας A6052), 30μ. (Αρ. Κατηγορίας A6046) ή 50μ. (Αρ. Κατηγορίας A6054).

Για μέγιστη αξιοπιστία, ποτέ μην εφαρμόζετε βαρύτερη ή ελαφρότερη γραμμή (π.χ. γραμμή ψαρέματος) που θα εμποδίζει την αυτόματη τροφοδοσία από του να λειτουργεί, και που μπορεί να προκαλέσει βλάβη στο μοτέρ ή να μειώσει την απόδοση κοψίματος.

## Πώς να εφαρμόσετε καινούριο ενίο εραμμής κοπής (Εικόνες 4 - 5)

- 4**
- Αποσυνδέστε τη μηχανή σας από τη ρευματοδότηση.
  - Αφαιρέστε το κάλυμμα του πηνίου, ωθώντας προς τα μέσα και προς τα άνω και τα δύο πτερύγια του καλύμματος του καρουλιού (13) (Εικόνα 4), μετά τραβήξτε (δεν είναι ανάγκη να ωθήσετε και τα δύο πτερύγια προς τα μέσα την ίδια στιγμή). Το άδειο πηνίο τώρα μπορεί να αποσυρθεί από το πτερύγιο κίνησης.

- 5**
- Αφαιρέστε τυχόν ακαθαρσίες ή γρασίδι που μπορεί να έχουν συσσωρευθεί μέσα στη θήκη του πηνίου (12) και το κάλυμμα (8).
  - Ξαναπεριστρέψατε περίπου 9εκ. (3,5”) γραμμής τομής (5) από το νέο πηνίο (17). Αφήστε τη γραμμή να περάσει μέσω του πορτουζιού. Μετά, σπρώξτε το πηνίο στο κέντρο του κινητήριου άξονα (Εικόνα 5). Εριστρέψατε όσο χρειασθεί για να πάρει πλήρη θέση το πηνίο, φροντίζοντας να μην καλύψετε τη γραμμή κάτω από το πηνίο και να βεβαιωθείτε ότι υπάρχει ελάχιστη προεξοχή 9εκ. (3,5”) από τη θήκη του ανεμιστήρα.
  - Αντικαταστήστε το κάλυμμα του καρουλιού, ευθυγραμμίζοντας και τα δύο πτερύγια (13) στο κάλυμμα με τις οπές εισόδου στη θήκη του καρουλιού και σπρώχνοντάς το στη θέση του. Βεβαιωθείτε ότι και τα δύο πτερύγια βρίσκονται ασφαλώς τοποθετημένα.

## Πώς να τυλίξετε νέα γραμμή τομής (νάυλον κλωστή) επάνω σε άδειο καρούλι (Εικόνα 6 & 7)

- 6**
- Μπορείτε να τυλίξετε νέα γραμμή τομής 10 μέτρων το πιο πολύ επάνω στο άδειο καρούλι. Το καρούλι έχει ένα “δείκτη” για να σας βοηθήσει να τυλίξετε υπερβολική ποσότητα γραμμής τομής επάνω στο καρούλι, γιατί η υπερβολική ποσότητα θα παρεμποδίσει το αυτόματο σύστημα τροφοδοσίας από του να λειτουργήσει (Εικόνα 6).
  - Αφαιρέστε την εναπομείνουσα γραμμή τομής από το καρούλι (17).



- Ωθήστε το άκρο της νέας γραμμής τομής σε μία από τις δύο οπές που παρέχονται στη θήκη του καρουλιού (17) και βάλτε μέσα 20mm.
- Παρακάμψετε την γραμμή τομής, τραβώντας την μέσω της επι-ομενης διαμορφωμένης “L” εσοχής. Η γραμμή τομής τώρα θα πρέπει να είναι σταθερά στερεωμένη στο καρούλι και μπορείτε να προχωρήσετε να την τυλίγετε στην κατεύθυνση των τόξων (16).
- Χρησιμοποιήστε λίγο χρόνο να τυλίξετε τη γραμμή τομής καθαρά, σε στρώματα. Μην βάζετε τη μια πάνω στην άλλη.
- Όταν έχετε τυλίξει αρκετή γραμμή τομής, προσωρινά τοποθετείστε την σε μια από τις διαμορφωμένες εσοχές τύπου “L” για να εμποδίσετε το καρούλι να ξετυλιχθεί, εξασφαλίζοντας έτσι ώστε να αφήσετε μια ελάχιστη προεξοχή 9cm (3,5”).
- Εφαρμόστε το καρούλι και το κάλυμμα του καρουλιού (8) στη θήκη του καρουλιού, όπως περιγράφεται για την εφαρμογή ενός νέου καρουλιού.

## Φροντίδα και συντήρηση

- Για καλύτερα αποτελέσματα, παρακαλώ διατηρείτε καθαρά, τη γραμμή τομής, το πηνίο και τις οπές εισόδου αέρα στο κέλυφος της μηχανής σας. Χρησιμοποιείτε στεγνή βούρτσα ή ύφασμα για την αφαίρεση γρασιδιού, χυμούς ή άλλης ακαθαρσίας.
- Τα πλαστικά μέρη μπορούν να καθαρίζονται χρησιμοποιώντας μαλακό σαπούνι και βρεγμένο ύφασμα με ζεστό νερό. Μη χρησιμοποιείτε άλλου τύπου απορρυπαντικά, καθαριστήρα ή διάλυμα που μπορεί να περιέχουν χημικές ουσίες και που πιθανόν να βλάψουν σημαντικά το πλαστικό. Μην βρέχετε τη μηχανή με νερό.
- Σ’ αυτήν την μηχανή φινιρίσματος χόρτου χρησιμοποιούνται αυτολίπαντα κουζινέτα και γι’ αυτό δεν χρειάζονται λιπαντικά.

## Ανίχνευση λαθών

**Προτού ελέγξετε τη μηχανή σας για τυχόν λάθη, αποσυνδέστε την από τον αγωγό ηλεκτρισμού.**

- Αν η μηχανή δεν ξεκινά, ελέγξατε κατά πόσον όλα τα καλώδια είναι κανονικά εφαρμοσμένα. Κι αν πάλι δεν λειτουργεί, ελέγξατε τα σημεία ηλεκτρικής παροχής και μετά την ασφάλεια και τη συνδεσμολόγηση στην πρίζα εκέκτασης καλωδίου και στον θηλυκό συνδετήρα.
- Αν η παροχή της αυτόματης γραμμής (νάυλον κλωστή) αποτύχει να λειτουργήσει, θα πρέπει να είναι ένας από τους εξής λόγους:

**Η γραμμή είναι πολύ κοντή ή η γραμμή είναι εμφραγμένη στο καρούλι**

- Αποσυνδέστε το εργαλείο σας από την κεντρική παροχή ρεύματος.
- Αφαιρέστε το κάλυμμα του καρουλιού (8), ωθώντας και τα δύο πτερύγια (13) προς τα μέσα και έξω (Εικόνα 4).
- Σηκώστε το καρούλι (17) περίπου 6mm (1/4”) από τη θήκη του καρουλιού (12), ενώ τραβάτε τη γραμμή τομής (5). Αυτό θα σας επιτρέψει να επιμακρύνετε τη γραμμή ενώ καθαρίζετε τυχόν γραμμή που έχει εμφραχθεί μέσα στο καρούλι. Βεβαιωθείτε ότι υπάρχει ελάχιστη γραμμή 9cm (3,5”) που να εξέχει από τη θήκη.
- Περιστρέψτε το καρούλι όσο χρειάζεται έτσι ώστε να καθίσει πλήρως το καρούλι και να αντικαταστήσετε το κάλυμμα ευθυγραμμίζοντας και τις δύο θηλειές στο κάλυμμα με τις εσοχές στη θήκη του καρουλιού και ωθήστε στη θέση τους. Βεβαιωθείτε όπως και οι δύο θηλειές στερεώνονται καλά.

**Η γραμμή ακόμη είναι εμφραγμένη στο καρούλι**

- Αποσυνδέστε την κεντρική παροχή ρεύματος και αφαιρέστε το κάλυμμα, όπως έχει περιγραφεί προηγουμένως.
- Βγάλτε το καρούλι (17) πλήρως, κρατώντας την σπειρωτή γραμμή τομής στη θέση της για να τη εμποδίσετε από του να ξετυλιχθεί από το καρούλι (Εικόνα 7).

- •ετυλίξετε προσεκτικά τη γραμμή τομής (5) από το καρούλι μέχρις ότου τα τυλιγμένα ή εμφραγμένα κυκλώματα έχουν καθαρίσει. •ετυλίξτε ομαλά τη γραμμή τομής, προς την κατεύθυνση των τώξων (16) επάνω στο καρούλι.
- Τοποθετήστε προσωρινά το άκρο της γραμμής τομής σε μια από τις διαμορφωμένες εσοχές τύπου "L" για να παρεμποδίσετε το καρούλι να ξετυλιχθεί. Βεβαιωθείτε ότι αφήνετε προεξοχή τουλάχιστο 9cm (3,5").
- Πυρίστε τον μοχλό (14) προς τα πίσω και προς τα εμπρός για να βεβαιωθείτε ότι λειτουργεί κανονικά.
- Να αφαιρείτε τυχόν ακαθαρσίες ή χορτάρι που πιθανόν να έχουν συσσωρευθεί μέσα στη θήκη και το κάλυμμα του καρουλιού.
- Τροφοδοτήστε το άκρο της γραμμής μέσω της οπής κι ακόμα ωθήστε το καρούλι μέσα στον κεντρικό αξονίσκο κίνησης ενώ τραβάτε το ελεύθερο άκρο της γραμμής για να το αποδεσμεύσετε από τη διαμορφωμένη εσοχή τύπου "L". Για να καθίσει πλήρως το καρούλι, προστρέψτε όσο χρειάζεται, προσέχοντας έτσι ώστε να μην εμπλακεί μέσα στη γραμμή κάτω από το καρούλι, επβεβαιώνοντας ότι υπάρχει ελάχιστη γραμμή 9cm (3,5") να εξέχει από τη θήκη του καρουλιού.
- Τελικά αντικαταστήστε το κάλυμμα όπως έχει περιγραφεί προηγουμένως.

## Τί κάνετε όταν η μηχανή σας χρειασθεί επιδιόρθωση

Πληροφορίες για το πώς και πού να στείλετε τη μηχανή σας για επιδιόρθωση δίνονται στην κάρτα εγγύησης. Σε συστήνουμε να φυλάγετε αυτή την κάρτα σε ασφαλές μέρος.

## Τα αχρηστα εργαλεία και το περιβάλλον

Αν κάποια μέρα βρείτε ότι το εργαλείο σας χρειάζεται αντικατάσταση ή δεν σας χρειάζεται πια, σκεφτείτε για λίγο την προστασία του περιβάλλοντος. Οι Σταθμοί Υπηρεσίας της Black & Decker θα αποδεχτούν τα παλιά σας εργαλεία και θα τα διαθέσουν μέσα σε πλαίσια ασφάλειας για το περιβάλλον.

## Προστασία του περιβάλλοντος



Η Black & Decker δίνει τη δυνατότητα ανακύκλωσης των προϊόντων της που έχουν συμπληρώσει τη διάρκεια ζωής τους. Η υπηρεσία αυτή είναι δωρεάν. Αν θέλετε να χρησιμοποιήσετε την εν λόγω υπηρεσία, επιστρέψτε το προϊόν σας σε οποιοδήποτε εξουσιοδοτημένο κέντρο επισκευών, όπου θα το παραλάβουν εκ μέρους σας.

Ενημερωθείτε για το πλησιέστερο κέντρο επισκευών της περιοχής σας, επικοινωνώντας με τα γραφεία της Black & Decker στη διεύθυνση που αναγράφεται στο εγχειρίδιο. Επίσης, για να πληροφορηθείτε για τα εξουσιοδοτημένα κέντρα επισκευών της Black & Decker, τις λεπτομέρειες και τους αρμόδιους των υπηρεσιών που παρέχονται μετά την πώληση, μπορείτε να ανατρέξετε στο Διαδίκτυο στη διεύθυνση: [www.2helpU.com](http://www.2helpU.com).

## Εγγύηση

Η Black & Decker είναι σίγουρη για την ποιότητα των προϊόντων της και παρέχει σημαντική εγγύηση. Η παρούσα γραπτή εγγύηση αποτελεί πρόσθετο δικαίωμά σας και δεν ζημιώνει τα συνταγματικά σας δικαιώματα. Η εγγύηση ισχύει εντός της επικράτειας των Κρατών Μελών της Ευρωπαϊκής Ένωσης και της Ευρωπαϊκής Ζώνης Ελευθέρων Συναλλαγών.

Σε περίπτωση που κάποιο προϊόν της Black & Decker παρουσιάσει βλάβη εξαιτίας ελαττωματικών υλικών, ποιότητας εργασίας ή έλλειψης συμφωνίας με τις προδιαγραφές εντός 24 μηνών από την ημερομηνία αγοράς, η Black & Decker εγγυάται την αντικατάσταση των ελαττωματικών τμημάτων, την επισκευή προϊόντων που έχουν υποστεί εύλογη φθορά λόγω χρήσης ή την αντικατάσταση των προϊόντων προκειμένου να εξασφαλίσει την ελάχιστη ενόχληση στους πελάτες της, εκτός αν:

- Το προϊόν έχει χρησιμοποιηθεί σε εργασιακό, επαγγελματικό περιβάλλον ή αν έχει ενοικιαστεί
- Έχει γίνει εσφαλμένη χρήση του προϊόντος ή αν έχει παραμεληθεί
- Το προϊόν έχει υποστεί βλάβη από άλλα αντικείμενα, από ουσίες ή λόγω ατυχήματος
- Έχει γίνει προσπάθεια επισκευής από μη εξουσιοδοτημένα κέντρα επισκευών ή από προσωπικό που δεν ανήκει στο προσωπικό της Black & Decker



Για να ισχύσει η εγγύηση, πρέπει να υποβάλετε απόδειξη αγοράς στον πωλητή ή το εξουσιοδοτημένο κέντρο επισκευών. Ενημερωθείτε για το πλησιέστερο κέντρο επισκευών της περιοχής σας, επικοινωνώντας με τα γραφεία της Black & Decker στη διεύθυνση που αναγράφεται στο εγχειρίδιο. Επίσης, για να πληροφορηθείτε για τα εξουσιοδοτημένα κέντρα επισκευών της Black & Decker, τις λεπτομέρειες και τους αρμόδιους των υπηρεσιών που παρέχονται μετά την πώληση, μπορείτε να ανατρέξετε στο Διαδίκτυο στη διεύθυνση: [www.2helpU.com](http://www.2helpU.com)

## Άλλα εργαλεία κήπου

Η Black & Decker διαθέτει μία πλήρη σειρά εργαλείων κήπου, τα οποία διευκολύνουν την εργασία σας στον κήπο. Για περισσότερες πληροφορίες σχετικά με τα προϊόντα που αναφέρονται παρακάτω, επικοινωνήστε με το Κέντρο Εξυπηρέτησης και Πληροφόρησης (στη διεύθυνση που αναφέρεται προς το τέλος αυτών των οδηγιών χρήσης) ή με το πλησιέστερο εξουσιοδοτημένο κατάστημα της Black & Decker.

### Μηχανές φινιρίσματος χόρτου

#### Αλυσοπρίονα

#### Φορτιζόμενα ψαλίδια

#### Χλοοκοπτικές μηχανές

#### Απορροφητήρας/Φυσητήρας φύλλων

#### Σπαστήρας φύλλων/κλαδιών

Δεν είναι όλα τα προϊόντα διαθέσιμα σε όλες τις χώρες.

### Δήλωση συμμορφωσης ΕΚ

#### GL550/GL555/GL560

Black & Decker δηλώνει ότι αυτά τα ηλεκτρικά εργαλεία σχεδιάστηκαν σύμφωνα με:

98/37/EC, 89/336/EEC, 73/23/EEC,  
EN 55014, EN 60335, EN 61000,

2000/14/EC, Μηχανή φινιρίσματος χόρτου,  
 $L \leq 50 \text{ cm}$

Annex VIII, No. 0086

B.S.I., HP2 4SQ, Ηνωμένο Βασίλειο

Ανώτατο όριο ηχητικής πίεσης, μέτρηση κατά  
2000/14/CEE:

$L_{pA}$	(ηχητική πίεση)	dB(A)	81
$L_{WA}$	(ακουστική δύναμη)	dB(A)	94
$L_{WA}$	(εγγυημένο προϊόν)	dB(A)	96

Ο σταθμισμένος τετραγωνικός μέσος όρος  
επιτάχυνσης κατά EN 50144: 2,5 m/s<sup>2</sup>



Brian Cooke

Διευθυντής μηχανολογίας  
Spennymoor, County Durham DL16 6JG,  
United Kingdom  
1-12-2001

---

---

---

---

---

---



<b>Australia</b>	DeWALT Industrial Power Tool Company 7 Clarice Road, Box Hill, Victoria 3128	Tel. 03 9895 9200 Fax 03 9899 7465
<b>Belgique/België</b>	Black & Decker (Belgium) N.V. Weihoek 1, 1930 Zaventem	Tel. 02/719.07.11 Fax 02/719.08.10
<b>Danmark</b>	Black & Decker Hejrevang 26B, 3450 Allerød Internet: www.blackdecker.dk	Tel. 70 20 15 10 Fax 48 14 13 99
<b>Deutschland</b>	Black & Decker GmbH Black & Decker Str. 40, D - 65510 Idstein	Tel. 06126/21 24 83 Fax 06126/21 26 01
<b>Ελλάς</b>	Black & Decker (Ελλάς) A.E. Στράβωνος 7 & Βουλιαγμένης 159 Γλυφάδα 16674, Ελλάδα	Τηλ. (01) 8981-616 Φαξ (01) 8983-570 Service (01) 8982-630
<b>España</b>	Black & Decker Spain Parque de Negocios "Mas Blau" Edificio Muntadas, c/Bergadá, 1, Of. A6 08820 El Prat de Llobregat (Barcelona)	Tel. 934 797 400 Fax 934 797 419
<b>France</b>	Black & Decker (France) S.A.S. B.P. 21, 69571 Dardilly Cédex	Tel. 04 72 20 39 20 Fax 04 72 20 39 00
<b>Helvetia</b>	Eduard Luggen Black & Decker-Service Schweiz Industriestrasse 1 / Postfach 323 8157 Dielsdorf	Tel. 01/854 01 01 Fax 01/854 02 02
<b>Italia</b>	Black & Decker Italia SpA Viale Elvezia 2 20052 Monza (MI)	Tel. 039-23871 Fax 039-2387592/2387594 Numero verde 800-213935
<b>Nederland</b>	Black & Decker (Nederland) BV Florijnstraat 10, 4879 AH Etten-Leur	Tel. 076-5082000 Fax 076-5038184
<b>New Zealand</b>	Black & Decker 81 Hugo Johnson Drive Penrose, Auckland, New Zealand	Tel. 09 579 7600 Fax 09 579 8200
<b>Norge</b>	Black & Decker (Norge) A/S Postboks 248, Leirdal, 1011 Oslo Internet: www.blackdecker.no	Tlf. 22 90 99 00 Fax 22 90 99 01
<b>Österreich</b>	Black & Decker Vertriebsges.m.b.H Erlaaerstraße 165, 1231 Wien	Tel. 01 66116-0 Fax 01 66116-14
<b>Portugal</b>	Black & Decker Rua Egas Moniz 173, 2766-651 S. João do Estoril	Tel. 214667500 Fax 214667575
<b>South Africa</b>	Black & Decker South Africa (Pty) Ltd Physical address: 39 Commerce Crescent Eastgate, ext. 12, Sandton, Kramerville 2148 Postal address: Postnet Suite 107, Private Bag X65 Halfway House 1685	Tel. (011) 653-1400 Fax (011) 653-1499
<b>Suomi</b>	Black & Decker Oy Palotie 3, 01610 Vantaa Black & Decker Oy, Brandvägen 3, 01610 Vanda	Puh: (09) 825 4540 Fax: (09) 825 45 444 Tel: (09) 825 4540 Fax: (09) 825 45 444
<b>Sverige</b>	Black & Decker AB Box 603, 421 26 Västra Frölunda, Besöksadr. Ekonomivägen 11	Tel: 031-68 60 00 Fax: 031-68 60 08
<b>Türkiye</b>	Black & Decker Merkez Servis Dudullu Cad. Kerembey Sok. No. 1 Küçükbakkalköy/Istanbul	Tel. 0216 455 89 73 Faks 0216 455 20 52
<b>United Kingdom</b>	Black & Decker 210 Bath Road Slough, Berkshire SL1 3YD	Tel. 01753 511234 Fax 01753 551155 Helpline 01753 574277

Dealer address  
Händleradresse  
Cachet du revendeur  
Indirizzo del rivenditore  
Adres van de dealer  
Dirección del detallista  
Morada do revendedor  
Återförsäljarens adress  
Forhandlernes adresse  
Forhandler adresse  
Jälleenmyyjän osoite  
Διεύθυνση αντιπροσώπου

◆ Name ◆ Name ◆ Nom ◆ Nome  
◆ Naam ◆ Nombre ◆ Nome ◆ Namn  
◆ Navn ◆ Navn ◆ Nimi ◆ Oνομα:

.....  
◆ Address ◆ Adresse ◆ Adresse ◆  
Indirizzo ◆ Adres ◆ Dirección ◆ Morada  
◆ Address ◆ Adresse ◆ Adresse ◆ Osoite  
◆ Διεύθυνση:

.....  
◆ Town ◆ Ort ◆ Ville ◆ Città ◆ Plaats  
◆ Ciudad ◆ Localidade ◆ Ort ◆ By ◆ By  
◆ Paikkakunta ◆ Πόλη:

.....  
◆ Postal code ◆ Postleitzahl ◆ Code  
postal ◆ Codice postale ◆ Postcode  
◆ Código ◆ Código postal ◆ Postnr.  
◆ Postnr. ◆ Postnr. ◆ Postnummero  
◆ Κωδικός

◆ Is this tool a gift? ◆ Ist dieses Gerät  
ein Geschenk? ◆ S'agit-il d'un cadeau?  
◆ Si tratta di un regalo? ◆ Kreeg u de  
machine als cadeau? ◆ ¿Ha recibido  
usted esta herramienta como regalo?  
◆ Recebeu esta ferramenta como  
presente? ◆ Är verktyget en gåva?  
◆ Er verktyøyet en gave? ◆ Er verkøjet  
en gave? ◆ Onko kone lahja?  
◆ Το εργαλείο είναι δώρο?

Yes ◆ Ja ◆ Oui ◆ Si ◆ Ja ◆ Sí  
◆ Sim ◆ Ja ◆ Ja ◆ Ja ◆ Kyllä ◆ Nat

No ◆ Nein ◆ Non ◆ No ◆ Nee  
◆ No ◆ Não ◆ Nej ◆ Nei ◆ Nej  
◆ Ei ◆ Oχι

◆ Is this tool your first purchase? ◆ Ist  
dieses Gerät ein Erstkauf? ◆ Est-ce un  
1er achat? ◆ Questo prodotto è il suo  
primo acquisto? ◆ Is deze machine uw  
eerste aankoop? ◆ ¿Es esta  
herramienta la primera de este tipo?  
◆ Esta ferramenta é a sua primeira  
compra? ◆ Är detta ditt första B&D-  
verktyg? ◆ Er dette ditt første B&D-  
verkøy? ◆ Er dette ditt første B&D

Date of purchase  
Kaufdatum  
Date d'achat  
Data d'acquisto  
Aankoopdatum  
Fecha de compra  
Data de compra  
Inköpsdatum  
Innkjøpsdato  
Indkøbsdato  
Ostöpäivä  
Ημερομηνία αγοράς

verktøj? ◆ Onko tämä ensimmäinen  
B&D-koneesi? ◆ Είναι το εργαλείο  
αυτό η πρώτη σας αγορά?

Yes ◆ Ja ◆ Oui ◆ Si ◆ Ja ◆ Sí  
◆ Sim ◆ Ja ◆ Ja ◆ Ja ◆ Kyllä ◆ Nat

No ◆ Nein ◆ Non ◆ No ◆ Nee  
◆ No ◆ Não ◆ Nej ◆ Nei ◆ Nej  
◆ Ei ◆ Oχι

◆ Dealer address ◆ Händleradresse  
◆ Cachet du revendeur ◆ Indirizzo del  
rivenditore ◆ Adres van de dealer  
◆ Dirección del detallista ◆ Morada do  
revendedor ◆ Återförsäljarens adress  
◆ Forhandlernes adresse ◆ Forhandler  
adresse ◆ Jälleenmyyjän osoite  
◆ Διεύθυνση αντιπροσώπου

**Cat. no.:**



- ◆ GUARANTEE CARD
- ◆ GARANTIEKART
- ◆ GARANTI KORT
- ◆ GARANTIEKARTE
- ◆ TARJETA DE GARANTÍA
- ◆ GARANTI KORT
- ◆ CARTE DE GARANTIE
- ◆ CARTÃO DE GARANTIA
- ◆ TAKUKORTTI
- ◆ TAGLIANDO DI GARANZIA
- ◆ GARANTIBEVIS
- ◆ KAPTA EFTYHSHZ



**English**

Please complete this section immediately after the purchase of your tool and send it to Black & Decker in your country. If you live in Australia or New Zealand, please register by using the alternative guarantee card supplied.

**Deutsch**

Bitte schneiden Sie diesen Abschnitt ab, stecken ihn in einen frankierten Umschlag und schicken ihn an die Black & Decker Adresse Ihres Landes.

**Français**

Découpez cette partie et envoyez-la sous enveloppe timbrée à l'adresse de Black & Decker dans votre pays, ceci immédiatement après votre achat.

**Italiano**

Per favore ritagliate questa parte, inseritela in una busta con francobollo e spedirla subito dopo l'acquisto del prodotto all'indirizzo della Black & Decker nella vostra nazione.

**Nederlands**

Knip dit gedeelte uit en zend het direct na aankoop in een gefrankeerde, geaddresseerde envelop naar het adres van Black & Decker in uw land.

**Español**

Después de haber comprado su herramienta envíe usted, por favor, esta tarjeta a la central de Black & Decker en su país.

**Português**

Por favor, recorte esta parte, coloque-a num envelope selado e endereçado e envie-o logo após a compra do seu produto para o endereço da Black & Decker do seu país.

**Svenska**

Var vänlig klipp ur denna del och sänd den i ett frankerat kuvert till Black & Deckers adress i Ditt land.

**Norsk**

Vennligst klipp ut denne delen umiddelbart etter du har pakket ut ditt produkt og legg det i en adressert konvolutt til Black & Decker (Norge) A/S.

**Dansk**

Venligst klip denne del ud og send frankeret til Black & Decker i dit land.

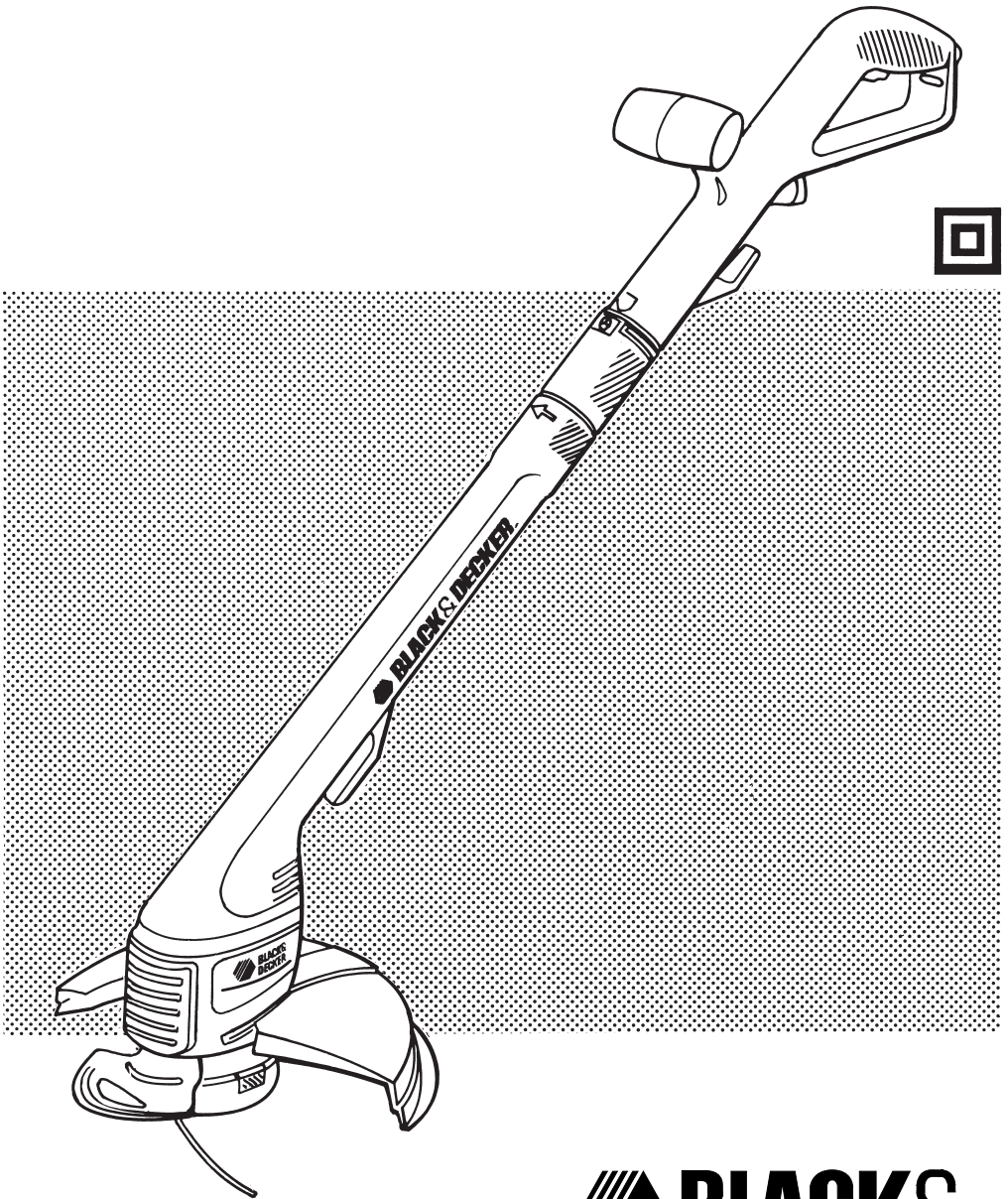
**Suomi**

Leikkaa irti tämä osa, laita se kuoreen ja postita kuori paikalliseen Black & Decker osoitteeseen.

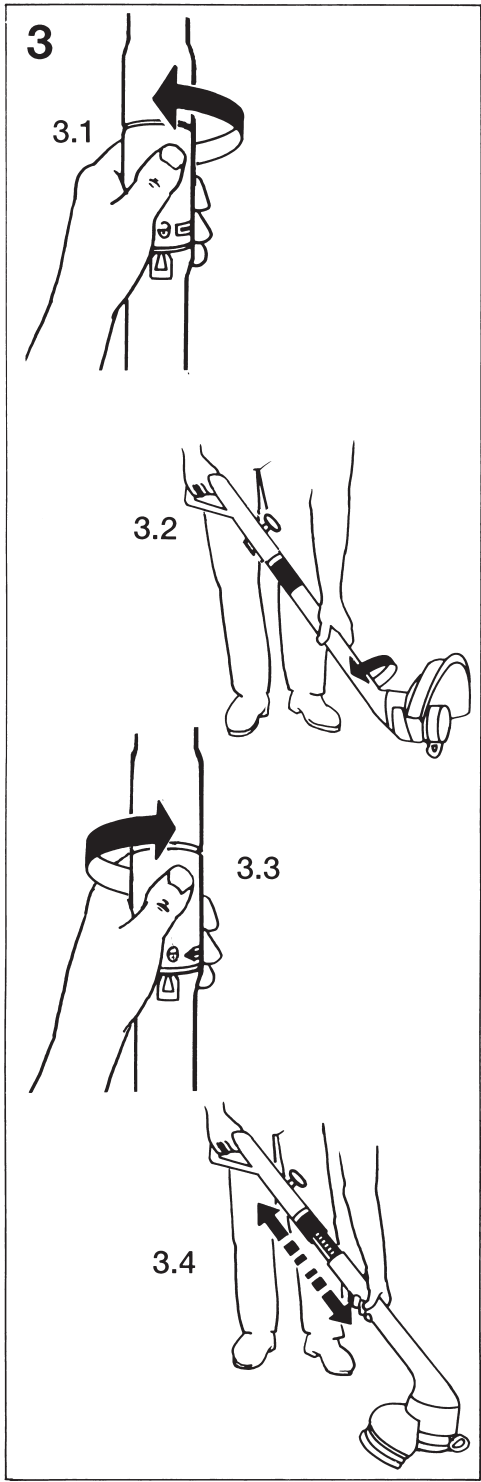
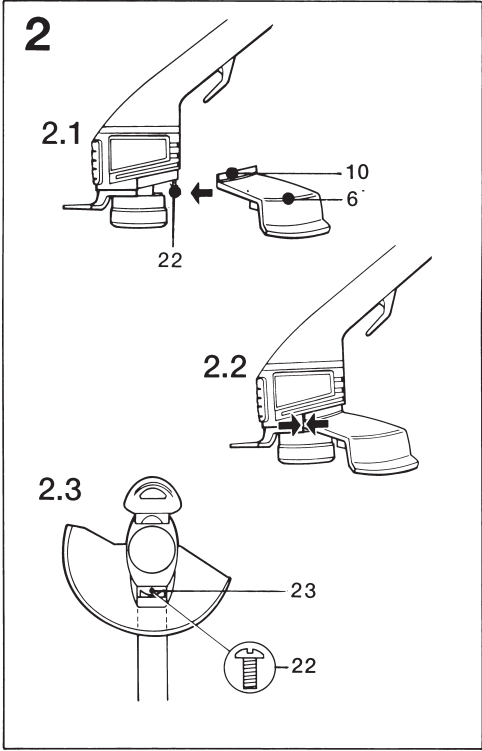
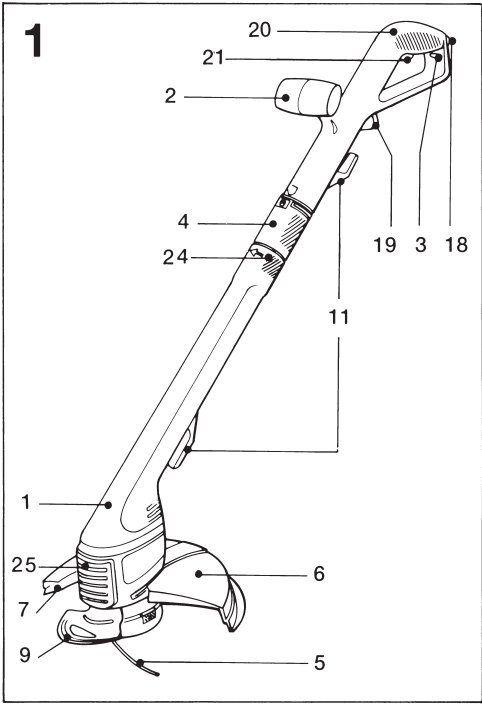
**Ελληνικά**

Πακτωμένο κόψτε αυτό το κομμάτι και τοχυδρουργήσατε το αμέσως μετά την αγορά του προϊόντος σας στην διεύθυνση της Black & Decker στην Ελλάδα.

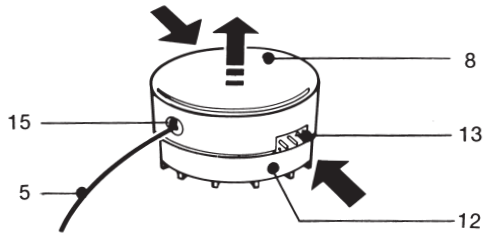




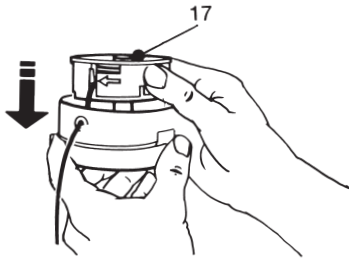
 **BLACK &  
DECKER®**



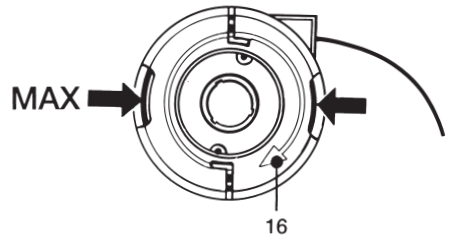
4



5



6



7

